

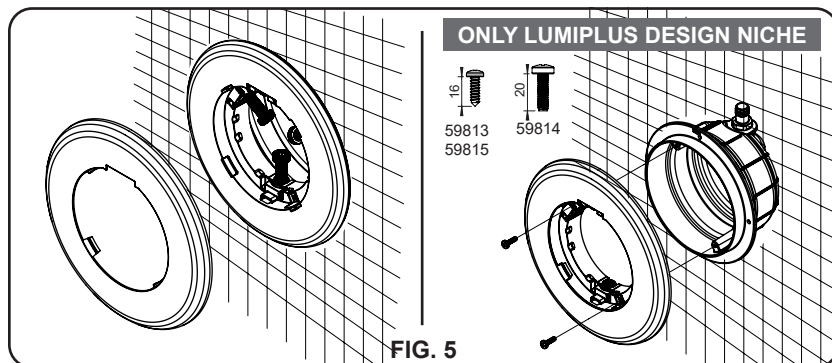
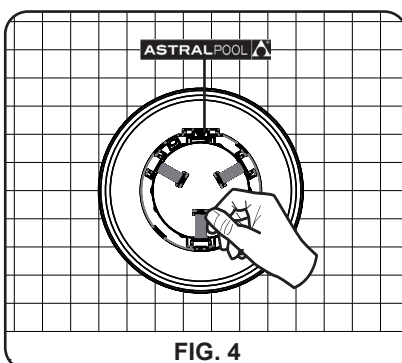
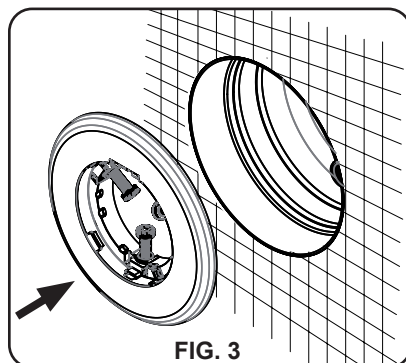
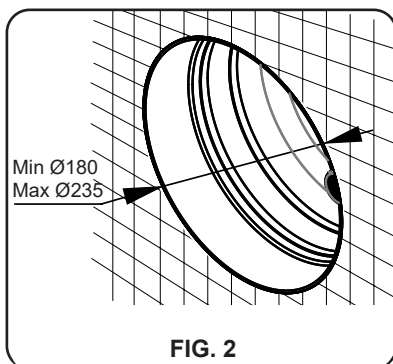
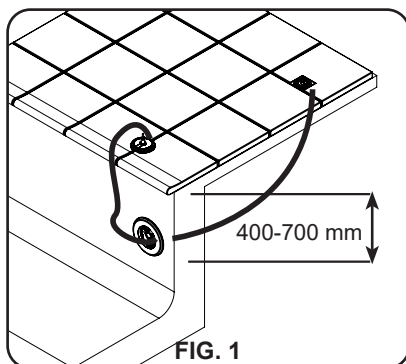
DECORATIVE RING LUMIPLUS FLEXINICHE
ENJOLIVEUR LUMIPLUS FLEXINICHE
EMBELLECEDOR LUMIPLUS FLEXINICHE
ORNAMENTALE LUMIPLUS FLEXINICHE
VERSCHÖNERUNGSDECKEL LUMIPLUS FLEXINICHE
DECORATIVA LUMIPLUS FLEXINICHE
ΔΙΑΚΟΣΜΗΤΙΚΟΣ ΔΑΚΤΥΛΙΟΣ LUMIPLUS FLEXINICHE
LUMIPLUS FLEXINICHE حلقة ديكور الضوء الكشاف

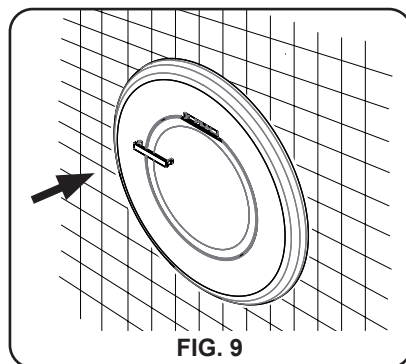
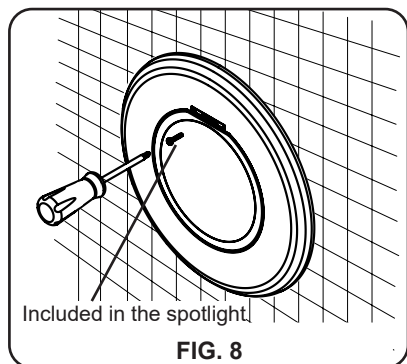
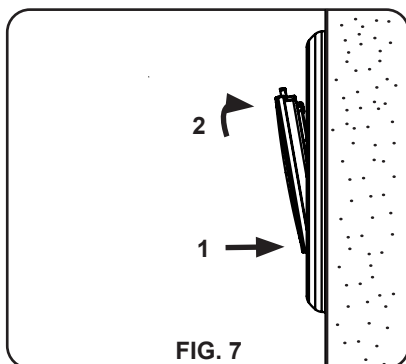
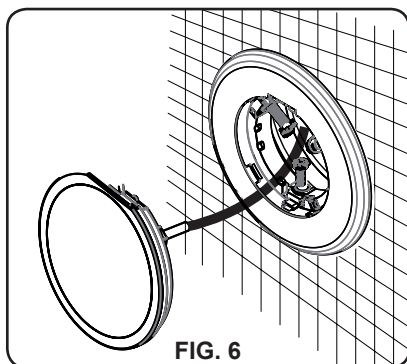


INSTALLATION MANUAL
MANUEL D'INSTALLATION
MANUAL DE INSTALACIÓN
MANUALE DI INSTALAZIONE
BEDIENUNGSANLEITUNG
MANUAL DE INSTRUÇÕES
ΕΓΧΕΙΡΙΔΙΟ ΕΓΚΑΤΑΣΤΑΣΗΣ

دليل التركيب

ASTRAL POOL 





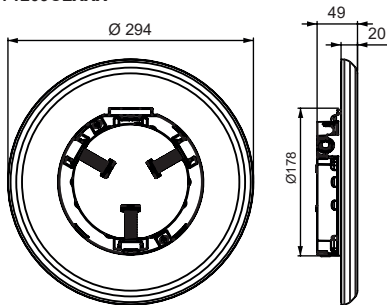
- If the spotlight is to be replaced, disassemble in reverse order.
- En cas de remplacement du point de lumière, procéder au démontage dans le sens inverse.
- En caso de sustitución desmontar en el orden inverso.
- In caso di sostituzione della luce, provvedere allo smontaggio procedendo a ritroso.
- Wenn die Leuchte ausgetauscht wird, ist beim Abmontieren in umgekehrter Reihenfolge zu verfahren.
- No caso de substituição do ponto de luz, fazer a desmontagem na ordem inversa.
- Εάν ο προβολέας πρόκειται να αντικατασταθεί, αποσυναρμολογήστε τη διάταξη με την αντίστροφη σειρά.

- إذا كان يجب استبدال الضوء الكشاف، يجب فك الأجزاء بترتيب عكسي

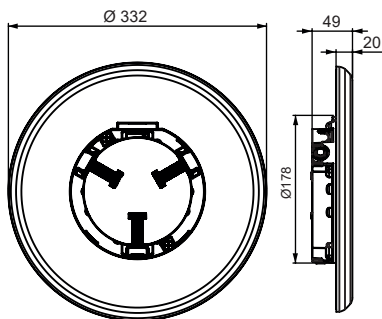
**TECHNICAL CHARACTERISTICS
CARACTERISTIQUES TECHNIQUES
CARACTERISTICAS TÉCNICAS
DATI TECNICI
TECHNISCHE ANGABEN
CARACTERISTICAS TECNICAS
ΤΕΧΝΙΚΑ ΧΑΡΑΚΤΗΡΙΣΤΙΚΑ**

المواصفات الفنية

71209CLXXX



71209IP41CLXXX



Made in Spain

Sacopa, S.A.U.

Pol. Ind. Poliger Sud – Sector I

17854 Sant Jaume de Llierca (Spain)

ASTRALPOOL

Avda. Francesc Macià, 60, planta 20

08208 Sabadell (Barcelona) Spain

info@astralpool.com

71212E201-04

- We reserve to change all or part of the articles or contents of this document, without prior notice.
- Nos nous réservons le droit de modifier totalement ou en partie les caractéristiques de nos articles ou le contenu de ce document sans pré avis.
- Nos reservamos el derecho de cambiar total o parcialmente las características de nuestros artículos o contenido de este documento sin previo aviso.
- Ci riserviamo il diritto di cambiare totalmente o parzialmente le caratteristiche tecniche dei nostri prodotti ed il contenuto di questo documento senza nessuno preavviso.
- Wir behalten uns das recht vor die eigenschatten unserer produkte oder den inhalt dieses prospektes teilweise oder vollst-
tanding, ohne vorherige benachichtigung zu andern.
- Reservamo-nos no direito de alterar, total ou parcialmente as características dos nossos artigos ou o conteúdo deste documento sem aviso prévio.
- Διατηρούμε το δικαίωμα τροποποίησης μέρους ή ολόκληρων των άρθρων ή των περιεχομένων αυτού του εγγράφου, χωρίς πρότερη ειδοποίηση.

• نحتفظ بالحق في تغيير كل أو جزء من المنتجات أو محتويات هذه الوثيقة بدون إشعار مسبق.

LUMIPLUS FLEXI RGB/ MONOCOLOUR 12VAC SPOTLIGHT
POINT DE LUMIÈRE FLEXI RGB/ MONOCOULEUR 12VAC
PUNTO DE LUZ LUMIPLUS FLEXI RGB/ MONOCOLOR 12VAC
PUNTO DI LUCE LUMIPLUS FLEXI RGB/ MONOCOLORE 12VAC
LEUCHTE LUMIPLUS FLEXI RGB/ EINFARBIGEM 12VAC
PONTO DE LUZ LUMIPLUS FLEXI RGB/ MONOCOLOR 12VAC
RGB/ ΜΟΝΟΧΡΩΜΟΣ ΠΡΟΒΟΛΕΑΣ LUMIPLUS FLEXI 12VAC
الضوء الكشاف LUMIPLUS FLEXI الأحمر والأزرق والأخضر/ أحادي اللون
12 فولت تيار متردد



INSTALLATION AND MAINTENANCE MANUAL
MANUEL D'INSTALLATION ET D'ENTRETIEN
MANUAL DE INSTALACIÓN Y MANTENIMIENTO
MANUALE DI INSTALAZIONE E MANUTENZIONE
EINBAU-UND BETRIEBSANLEITUNG
MANUAL DE INSTRUÇÕES E MANUTENÇÃO
ΕΓΧΕΙΡΙΔΙΟ ΕΓΚΑΤΑΣΤΑΣΗΣ ΚΑΙ ΣΥΝΤΗΡΗΣΗΣ
دليل التركيب والصيانة

ASTRALPOOL 

ENGLISH

IMPORTANT: The instruction manual you are holding includes essential information on the safety measures to be implemented for installation and start-up. Therefore, the installer as well as the user must read the instructions before beginning installation and start-up. Keep this manual for future reference.

To achieve optimum performance of the LumiPlus Flexi, follow the instructions provided below:

1. VERIFY THE CONTENTS OF THE PACKING:

- LumiPlus Flexi.
- Bag of accessories: FlexiNiche cable gland, FlexiRapid cable gland, 1 seal, 1 O-ring seal, gasket, cable and mounting screws (1 for screwing the spotlight to the faceplate + 3 for screwing the cable gland).
- Warranty booklet.
- Instruction manual.

MODELS AVAILABLE ACCORDING TO CHARACTERISTICS

LumiPlus Flexi V1		LumiPlus Flexi V2	
Monocolour	RGB	Monocolour	RGB
71200 71200WW	71203	71233 71233WW	71204

The 71200, 71200WW, 71233 and 71233WW models do not need any control as they only emit monocolour light. The 71203 and 71204 models do need control for colour change and sequences.

2. GENERAL CHARACTERISTICS:

LumiPlus Flexi has been designed to be used fully submerged in water. It is a Class III electric apparatus with very low safety voltage (**12 V with alternating current**). LumiPlus Flexi is class 116, in accordance with standard EN 50065. LumiPlus Flexi complies with IPX8 - 2 m.

LumiPlus Flexi complies with international safety standards for lights, especially the EN 60598-2-18 standard: LIGHTS PART 2: SPECIFIC REQUIREMENTS SECTION 18 LIGHTS FOR SWIMMING POOLS AND SIMILAR APPLICATIONS. The manufacturer is not responsible in any circumstances for assembly, installation or start-up of any electric components which have been inserted or handled at locations other than its own premises.

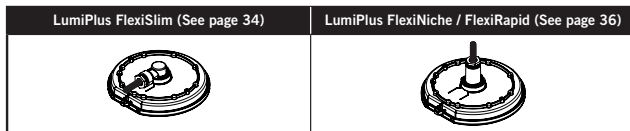
3. INSTALLATION:

- To correctly light a swimming pool we recommend you:
Install a LumiPlus Flexi V1 for every 20 m² of water surface.
Install a LumiPlus Flexi V2 for every 25 m² of water surface.
- Note:** Strongly recommended for pools in light colors. In pools with a dark or stainless steel finish, it is recommended to use more spotlights per m².
- It is the responsibility of the fitter to ensure that the area around the connectors is completely watertight.
- The junction boxes should be placed at least 2 m from the edge of the pool or water facility.
- The 230/12 V transformer that feeds the LumiPlus Flexi should be installed at a distance of 3.5 m from the edge of pool or water facility.
- Cable ducts laid less than 3.5 m away from the edge of the pool must not be made of metal.
- The smallest cable cross-section that fits the LumiPlus Flexi is a 2 x 1 mm² H07RN-F.
- The largest cable cross-section that fits the LumiPlus Flexi is a 2 x 2,5 mm² H07RN-F.
- The largest cable that can be used for LumiPlus Flexi Niche and Flexi Rapid projectors is an H07RN-F with a cross-section of 2 x 2.5 mm², whilst in the case of Flexi Slim projectors the largest cable that can be used is an H07RN-F with a cross-section of 2 x 1.5 mm².
- Should the current H07RN-F cable have a cross-section of 2 x 4 mm² or 2 x 6 mm², an underwater splice should be made. To ensure that the LumiPlus Flexi projector works properly, we recommend using AstralPool's underwater connection kit (code 32803).

ATTENTION

UNDER NO CIRCUMSTANCES SHOULD SCREWS OTHER THAN THOSE SUPPLIED BE USED FOR SCREWING THE LUMIPLUS FLEXI CABLE GLAND AS THEY COULD PIECE IT AND RESULT IN WATER GETTING INTO IT.

4. ASSEMBLY:



A description is given below of how to connect the LumiPlus Flexi to the cable to ensure the connection area is water-tight. It is important to follow these steps:

1. Ensure that there is no voltage before handling any cable.
2. Put the O-ring seal in place.
3. Thread the cable through the cable gland seal nut.
4. Connect the cable to the spotlight and tighten the two screws.
5. Fit the cable gland to the body of the projector, as shown. Then screw in the three screws.
6. Ensure that the cable sleeve remains in place in the connection area and then tighten the cable gland using a wrench (6N.m).
7. Ensure that that cable is firmly tightened so that it does not work loose from the cable gland.
8. Once connected, the projector can be fitted to the pool (see faceplate manual).

5. MAINTENANCE:

The LumiPlus Flexi does not require any maintenance. If you become aware that it is not working properly, please contact our customer service department.

⚠ DO NOT ATTEMPT TO HANDLE THE INSIDE OF THE SPOTLIGHT AS THE PRODUCT WARRANTY WILL NO LONGER BE VALID.

6. ELECTRICAL CONNEXION

For the LumiPlus Flexi to work properly, it must have a 12 V AC power supply. LumiPlus Flexi is supplied with a 2.5 meter 2 x 1 mm² H07RN-F cable. Should this be too short, it can be replaced by another cable (see page 39). Should the original cable be replaced or extended, a specific calculation must be made of the cross-sections for each installation to ensure a 12-volt power supply reaches the LumiPlus Flexi and to prevent voltage drops.

6.1. MONOCOLOR LUMIPLUS FLEXI

The 12 V AC monocolour LumiPlus Flexi connects directly to a safety transformer. It does not require any type of control device. It can only be used to switch the projector On and Off (See page 38).

6.2. RGB LUMIPLUS FLEXI

The LumiPlus Flexi can be controlled using two different systems: a push button that is usually off, or a modulator and remote control (optional).

In both cases, ensure that the power supply to the LumiPlus Flexi is never above 12 V AC.

LumiPlus Flexi must only work completely submerged and fitted to the vertical walls of a pool. Working it outside of the water could cause irreparable damage.

6.2.A. LumiPlus ECO: pushbutton control

The system has 14 operating modes: 7 fixed colors and 7 different color sequences. Each time the push button is pressed, the color or sequence will change. If pressed for several seconds, LumiPlus Flexi emits white light.

• Diagram of the wiring (see page 38)

The LumiPlus ECO system is made up of a LumiPlus Flexi, a transformer and a push button that is usually off (NC). The

transformer must be sized to supply the corresponding VAs to each spotlight that is wired (see table on the back cover). For example, if you wish to control two 29 VA RGB V1 spotlights they must be wired in parallel to a transformer of at least 100 VA. The push button must be sized to withstand the power consumed by the number of spotlights in a facility.

• **Operation modes**

The LumiPlus ECO unit enables different light scenarios to be created inside the swimming pool with two operation possibilities:

Set colour: Selection of one set colour out of seven possibilities.

COLOUR N°	COLOUR
1	White
2	Red
3	Blue
4	Green
5	Magenta
6	Cyan
7	Yellow

Automatic colour sequence: Selection from among seven programmes of colour sequences. Each programme is defined by the duration of each colour and of the transition from one colour to another, according to the following table:

SEQUENCE	ORDER OF COLOURS					
1	Red	Blue	Green	Magenta	Cyan	Yellow
2	Red	Green	Cyan	Blue	Magenta	Yellow
3	Magenta	Cyan	Yellow	-	-	-
4	Red	Blue	Green	-	-	-
5	Magenta	Cyan	Yellow	-	-	-
6	Yellow	Magenta	Cyan	-	-	-
7	Green	Red	Blue	-	-	-

The colour or sequence is changed by pressing the pushbutton. The colour and sequence cycle is rotary. For example, if you are in colour 5, by pressing once, you will reach colour 6. If you press once again, you will go to sequence 7. If you are in sequence 7, press once and you will get to colour 2, which is Red.

Colour 1, corresponds to white and is reached by one long press.

6.2.B. LumiPlus TOP: Modulator control and/or Remote control

The system has 20 operation modes: 12 set colours and 8 sequences of different colours.

The Modulator controls switching LumiPlus Flexi On and Off, changes of colour and sequences and switching off timing. If you have a remote control, apart from the modulator operations, you can also switch colours of a sequence on and off and select the switching off time.

• **Electrical connection diagram (see diagram page 38)**

The modulator, transformer and LED spotlights are required for an installation to work properly. Optionally, this system can be controlled by a remote control.

The modulator must be connected to a power supply of 230 V AC through the two terminals marked RED and to the primary windings of the transformer (230 V AC) through the terminals marked TRF.

The transformer must be sized to supply the corresponding VAs to each LumiPlus that is wired (see table on the back cover). For example, if you wish to control three 29 VA RGB V1 spotlights they must be wired in parallel to a transformer of at least 100 VA.

Each modulator can support up to a maximum of 900VA.

Once the unit is connected, proceed as follows to start-up the projector for the first time:

Switch on the unit by activating the 230 V-ac at the input of the Modulator, which will automatically syntonize with the transformer. The green LED of the Modulator will flash every 2 seconds and the LumiPlus Flexi will remain off.

• **Types of lighting**

The **Remote Control – Modulator – Transformer – LumiPlus Flexi** unit enables you to create different lighting settings inside the pool with two operation options:

Set colour: Selection of a set colour among twelve possibilities.

COLOUR N°	COLOUR
1	Red
2	Green
3	Blue
4	Yellow
5	Cyan
6	Magenta

COLOUR N°	COLOUR
7	Pale violet
8	Sky-blue
9	Orange
10	Pink
11	Emerald green
12	White

Automatic sequence of colours: Selection of eight colour sequence programmes. Each programme is defined by the lighting time of each colour and the transition time from one colour to another according to the following table:

SEQUENCE			ORDER OF COLOURS																			
1	Red	Green	Blue																			
2	Cyan	Magenta	Yellow																			
3	Green	Esmerald green	Cyan	Sky-blue																		
4	Red	Orange	Green	Orange																		
5	Red	Pink	Blue	Pink																		
6	Red	Orange	Green	Cyan	Blue	Pink																
7	Pale violet	Magenta	Cyan	Yellow	White	Yellow	Cyan	Magenta														
8	Red	Green	Blue	Yellow	Cyan	Magenta	Pale violet	Sky-blue	Orange	Pink	Esmerald green	White										

7. SAFETY WARNINGS:

- The luminaire should be fitted in such a way that it is not possible to stare at it from closer than 2.36m (only in the case of RGB LED models).
- If the cable or wiring of this luminaire becomes damaged, it may only be replaced by the manufacturer or one of its service engineers, or a person with a similar qualification, in order to prevent any risks.
- The light source of this luminaire may only be replaced by the manufacturer, one of its service engineers or a person with a similar qualification.
- Avoid making contact with the electric voltage.
- Comply with the current standards regarding accident prevention.
- In this regard, the IEC 364-7-702 standards must be observed: **WIRING IN BUILDINGS SPECIAL WIRING SWIMMING POOLS.**
- All maintenance operations should be performed with the LumiPlus Flexi disconnected from the mains.
- Do not handle with wet feet.
- LumiPlus Flexi is designed **FOR USE UNDERWATER ONLY** and may **ONLY BE RUN WITH A SAFETY TRANSFORMER.**
- LumiPlus Flexi withstands to the treatments of swimming pool described next as long as the values of concentration do not surpass the following values:

TYPE OF TREATMENT	CONCENTRATION IN WATER
Chlorine	2 mg/l
Bromine	5 mg/l
Salt electrolysis (Na Cl)	6 g/l

Attention : Please note that the Ph of pool water always must be between 7.2 and 7.6.

FRANÇAIS

IMPORTANT: le manuel d'instructions que vous avez entre les mains contient des informations de première importance sur les mesures de sécurité à adopter au moment de l'installation et de la mise en service. Il est par conséquent indispensable que l'installateur et l'utilisateur lisent attentivement les instructions avant de commencer le montage et la mise en marche. Conservez ce manuel en vue de futures consultations sur le fonctionnement de cet appareil.

Pour optimiser le rendement du LumiPlus Flexi, il est recommandé de bien suivre les instructions qui vous sont données ci-dessous :

1. BIEN VÉRIFIER LE CONTENU DE L'EMBALLAGE:

- LumiPlus Flexi.
- Sachet accessoires : presse-étoupe Flexiniche, presse-étoupe FlexiRapid, 1 joint, 1 joint torique d'étanchéité, rondelle, câble et vis de fixation (1 vis de fixation du point de lumière à l'enjoliveur + 3 vis de fixation au presse-étoupe).
- Notice de garantie.
- Manuel d'installation.

MODÈLES DISPONIBLES SUIVANT CARACTÉRISTIQUES

LumiPlus Flexi V1		LumiPlus Flexi V2	
Monocouleur	RGB	Monocouleur	RGB
71200 71200WW	71203	71233 71233WW	71204

Les modèles 71200, 71200WW, 71233 et 71233WW n'ont besoin d'aucune commande puisqu'elles n'émettent que de la lumière monocouleur.

Les modèles 71203 y 71204, par contre, ont besoin d'une commande pour le changement de couleur et de séquence.

2. CARACTÉRISTIQUES GÉNÉRALES:

LumiPlus Flexi a été conçu pour être utilisé entièrement submergé dans l'eau. Il s'agit d'un appareil électrique de classe III avec une tension de sécurité très basse (**12V avec courant alternatif**). Selon la norme EN 50065, il s'agit d'une point de lumière classe 116.

LumiPlus Flexi est conforme au degré de protection IPX8 - 2 m.

LumiPlus Flexi est conforme aux normes internationales de sécurité des luminaires, en particulier à la norme EN 60598-2-18: LUMINAIRES 2ème PARTIE: CONDITIONS NÉCESSAIRES PARTICULIÈRES SECTION 18 LUMINAIRES POUR PISCINES ET APPLICATIONS SIMILAIRES.

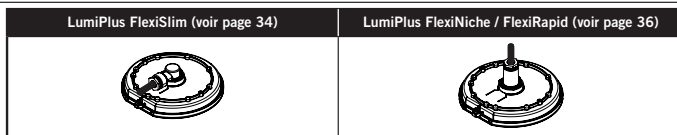
3. INSTALLATION:

- Afin d'éclairer correctement une piscine, il est recommandé de :
Installer un LumiPlus Flexi V1 pour 20 m² de surface d'eau.
Installer un LumiPlus Flexi V2 pour 25 m² de surface d'eau.
- Remarque:** Recommandations valables pour des piscines de couleur claire. Dans les piscines de couleur sombre ou en acier inoxydable, il est recommandé de reconsidérer à la hausse les points de lumière par m².
- L'installateur est responsable de l'étanchéité parfaite de la zone des connecteurs.
- Les boîtes de connexion doivent être placées à une distance minimum de 2 m du bord de la piscine ou de l'installation aquatique.
- Le transformateur de 230/12 V qui alimente LumiPlus Flexi doit être situé à une distance de 3,5 m du bord de la piscine ou de l'installation aquatique.
- Pour les canalisations installées à moins de 3,5 m du bord de la piscine, tout revêtement ou gaine métallique sont interdits.
- La section minimum de câble permise par LumiPlus Flexi est de 2 x 1 mm² H07RN-F.
- La section maximum de câble permise par LumiPlus Flexi est de 2 x 2,5 mm² H07RN-F.
- La section maximale de câble LumiPlus Flexi Nicho et Flexi Rapid est de 2 x 2,5 mm² H07RN-F; pour ce qui est du Flexi Slim, la section maximale de câble permise est de 2 x 1,5 mm² H07RN-F.
- Si la section du câble existant est de 2x4mm² H07RN-F à 2x6mm² H07RN-F, il conviendra de réaliser un raccordement sous l'eau. Pour garantir le correct fonctionnement du projet LumiPlus Flexi, nous conseillons d'utiliser le kit de branchement subaquatique code AstralPool 32803.

ATTENTION

IL EST STRICTEMENT INTERDIT D'UTILISER UN TOURNEVIS AUTRE QUE CELUI FOURNI POUR FIXER LE PRESSE-ÉTOUPE DE LUMIPLUS FLEXI AFIN D'ÉVITER SA PERFORATION ET DE PROVOQUER AINSI UNE FUITE D'EAU

4. MONTAGE:



Les instructions de montage ci-dessous permettent de connecter LumiPLUS Flexi au câble pour garantir l'étanchéité dans la zone de connexions. Il est important de respecter les étapes suivantes :

1. S'assurer de l'absence de courant électrique avant toute manipulation de câble.
2. Placer le joint torique d'étanchéité.
3. Passer le câble dans l'ensemble du presse-étoupe.
4. Brancher le câble au point de lumière et fixer les deux vis.
5. Fixer le presse-étoupe au projecteur, en respectant la zone marquée. Puis fixer les trois vis.
6. Rentrer le caoutchouc du câble à l'intérieur de la zone de connexion pour visser ensuite le presse-étoupe avec une clé (6N.m).
7. S'assurer que le câble soit bien fixé et qu'il ne sorte pas du presse-étoupe.
8. A une fois connecté, fixer le projecteur à la piscine (voir manuel d'installation de l'enjoliveur).

5. ENTRETIEN:

LumiPlusFlexi ne requiert pas d'entretien particulier, en cas de dysfonctionnement, veuillez contacter notre Service Client.

⚠ IL EST INTERDIT D'ACCÉDER AU BOÎTIER INTÉRIEUR DU PROJECTEUR SOUS PEINE DE PERDRE TOUTE GARANTIE DU PRODUIT.

6. CONNEXIONS ÉLECTRIQUES:

Il est important d'alimenter LumiPlus Flexi avec un courant de 12 VAC. Le projecteur LumiPlus Flexi est fourni avec un câble de 2 x 1 mm² H07RN-F de 2,5 m de long. Si la longueur est insuffisante, il est possible de remplacer le câble (voir page 39). Pour tout remplacement ou rallongement du câble d'origine, il est nécessaire d'effectuer un calcul spécifique des sections pour chaque installation afin d'alimenter LumiPlus Flexi avec un courant de 12 V et éviter toute chute de tension.

6.1. LUMIPLUS FLEXI MONOCOULEUR

LumiPlus Flexi monocouleur 12 VAC est directement connecté à un transformateur de sécurité. Aucun dispositif de contrôle n'est requis, les fonctions de Marche/Arrêt sont les seules disponibles, (voir page 30).

6.2. LUMIPLUS FLEXI RGB

Il existe deux systèmes de contrôle de LumiPlus Flexi : par le biais d'un bouton-poussoir normalement fermé ou par le biais d'un modulateur et d'une télécommande (en option).

Dans les deux cas, il faut veiller à ce que la tension d'alimentation de LumiPlus Flexi ne dépasse pas les 12 VAC. LumiPlus Flexi ne fonctionne qu'en étant immergé et fixé aux parois verticales de la piscine. Sa mise en marche hors de l'eau peut provoquer des dommages irréparables.

6.2.A.LumiPlus ECO: contrôle au moyen d'un bouton-poussoir

Le système LumiPlus ECO est composé de LumiPlus Flexi, d'un transformateur et d'un bouton-poussoir normalement fermé (NC). Le transformateur doit être adapté pour fournir la puissance VA à chaque LumiPlus Flexi connectée (voir tableau de la couverture arrière). Par exemple, un transformateur d'au moins 100 VA est nécessaire pour contrôler 3 projecteurs RGB V1 de 29 VA chacun. Le bouton-poussoir doit être adapté pour supporter la puissance consommée par le nombre de projecteurs de l'installation.

• Diagramme de raccordement électrique (voir dessin page 38)

Le système LumiPlus ECO est composé de LumiPlus Flexi, d'un transformateur et d'un bouton-poussoir normalement fermé (NC). Le transformateur doit être adapté pour fournir la puissance VA à chaque LumiPlus Flexi connectée (voir tableau de la couverture arrière). Par exemple, un transformateur d'au moins 100 VA est nécessaire pour contrôler 3 projecteurs RGB V1 de 29 VA chacun. Le bouton-poussoir doit être adapté pour supporter la puissance consommée par le nombre de projecteurs de l'installation.

• Modes de fonctionnement

Le bloc LumiPlus ECO permet de créer des différentes ambiances décoratives et lumineuses à l'intérieur de la piscine avec deux possibilités de fonctionnement :

Couleur fixe: Sélection d'une couleur fixe parmi sept couleurs proposées.

N° DE COULEUR	COULEUR
1	Blanc
2	Rouge
3	Bleu
4	Vert
5	Magenta
6	Cyan
7	Jaune

Séquence automatique de couleurs: Choix entre sept programmes de la séquence de couleurs. Chaque programme est défini par le temps de présence de chaque couleur et la durée de la transition d'une couleur à une autre, selon le tableau suivant:

SÉQUENCE	ORDRE OF COULEURS					
1	Rouge	Bleu	Vert	Magenta	Cyan	Jaune
2	Rouge	Vert	Cyan	Bleu	Magenta	Jaune
3	Magenta	Cyan	Jaune	-	-	-
4	Rouge	Bleu	Vert	-	-	-
5	Magenta	Cyan	Jaune	-	-	-
6	Jaune	Magenta	Cyan	-	-	-
7	Vert	Rouge	Bleu	-	-	-

Chaque fois que vous appuyez sur ce bouton-poussoir, vous effectuez un changement de couleur ou de séquence. Le cycle des couleurs et des séquences est rotatif. Si par exemple vous avez la couleur 6, si vous appuyez encore une fois sur le bouton vous obtiendrez la couleur 7, et si vous appuyez encore une fois dessus, vous obtiendrez la séquence 1. Si vous êtes sur la séquence 7, en appuyant encore une fois sur le bouton, vous allez obtenir la couleur 2 qui correspond au rouge.

La couleur 1 correspond à la couleur blanche et elle s'obtient en appuyant longuement sur le bouton-poussoir.

6.2.B. LumiPlus TOP: contrôle au moyen du Modulateur et/ou du Contrôle à distance

Le système dispose de 20 modes de fonctionnement: 12 couleurs fixes et 8 séquences de couleurs différentes.

Le Modulateur permet de contrôler l'allumage et l'extinction des projecteurs, les changements de couleurs et de séquences et une temporisation d'extinction.

Si vous disposez du contrôle à distance, en plus de réaliser les fonctions du modulateur, la commande à distance vous permettra d'activer ou de désactiver la présence des couleurs composant une séquence et de sélectionner le temps de temporisation d'extinction.

• Diagramme du branchement électrique (voir schéma page 38)

Les éléments permettant de disposer d'une installation adéquate sont: un modulateur, un transformateur et des LumiPlus Flexi. Ce système peut être commandé à distance, si désiré.

Le modulateur est connecté au courant électrique de 230 VAC par le biais des deux bornes marqués RED et il est connecté à la tension primaire du transformateur (230 VAC) par le biais des bornes marquées TRF.

Le transformateur doit être adapté pour pouvoir alimenter en tension (VA) chaque LumiPlus Flexi connecté (voir tableau de la couverture arrière). Par exemple, un transformateur d'au moins 100 VA est nécessaire pour contrôler 3 LumiPlus Flexi RGB V1 de 29 VA chacun.

Chaque Modulateur peut supporter jusqu'à 900VA maximum.

Après avoir effectué le branchement électrique, pour sa première mise en marche, procéder comme suit :

Connectez l'ensemble en activant les 230 V~ac. à l'entrée du Modulateur et celui-ci se synchronisera automatiquement avec le transformateur. Le voyant vert du Modulateur se mettra alors à clignoter toutes les 2 sec. et LumiPlus Flexi restera éteint.

• Types d'éclairage

L'ensemble **Commande à distance – Modulateur – Transformateur – LumiPlus Flexi** à voyants permet de créer différents décors lumineux à l'intérieur de la piscine avec deux possibilités de fonctionnement:

Couleur fixe : Sélection d'une couleur fixe entre douze couleurs possibles.

N° DE COULEUR	COULEUR
1	Rouge
2	Vert
3	Bleu
4	Jaune
5	Cyan
6	Magenta

N° DE COULEUR	COULEUR
7	Céleste
8	Violet Pâle
9	Orange
10	Rose
11	Vert Émeraude
12	Blanc

Séquence automatique de couleurs: Choix entre huit programmes de la séquence de couleurs. Chaque programme est défini par le temps de présence de chaque couleur et la durée de la transition d'une couleur à l'autre, selon le tableau suivant:

SÉQUENCE	ORDRE OF COULEURS											
1	Rouge	Vert	Bleu									
2	Cyan	Magenta	Jaune									
3	Vert	Vert Émeraude	Cyan	Sky-blue	Bleu	Céleste	Cyan	Vert Émeraude				
4	Rouge	Orange	Vert	Orange								
5	Rouge	Rose	Bleu	Rose								
6	Rouge	Orange	Blanc	Cyan	Bleu	Rose						
7	Violet Pâle	Magenta	Cyan	Jaune	Blanc	Jaune	Cyan	Magenta				
8	Rouge	Vert	Bleu	Jaune	Cyan	Magenta	Violet Pâle	Céleste	Orange	Rose	Vert Émeraude	Blanc

7. AVERTISSEMENTS CONCERNANT LA SÉCURITÉ :

- Le luminaire doit être placé de manière à ne pas être fixé de manière prolongée d'une distance inférieure à 2,36 m (s'applique uniquement aux modules LED RGB).
- Si le câble flexible ou le cordon de ce luminaire est endommagé, il devra être exclusivement remplacé par le fabricant ou son service technique, ou une personne à qualification équivalente, afin d'éviter tout risque.
- La source de lumière doit être remplacée uniquement par le fabricant, son service technique ou une personne agréée.
- Il faut éviter tout contact avec la tension électrique.
- Il faut respecter les normes de prévention des accidents en vigueur.
- Pour ce faire, il faut en particulier respecter les normes IEC 364-7-702: INSTALLATIONS ÉLECTRIQUES DANS L'INTÉRIEUR DES BÂTIMENTS. INSTALLATIONS SPÉCIALES. PISCINES.
- Il faut débrancher LumiPlus Flexi du réseau pour effectuer toute opération d'entretien.
- Ne pas le manipuler avec les pieds mouillés.
- LumiPlus Flexi a été créé POUR ÊTRE UTILISÉ UNIQUEMENT EN ÉTANT IMMÉRGÉ et conçu POUR ÊTRE UNIQUEMENT ALIMENTÉ PAR UN TRANSFORMATEUR DE SÉCURITÉ.
- LumiPlus Flexi résiste aux traitements de la piscine décrite prochainement pourvu que les valeurs de la concentration ne dépassent pas les valeurs suivantes:

TYPE DE TRAITEMENT	CONCENTRATION DANS L'EAU
Chlorine	2 mg/l
Brome	5 mg/l
Electrolise (Na Cl)	6 g/l

Attention: Noter que le Ph de l'eau de la piscine toujours doit être comprise entre 7,2 et 7,6.

IMPORTANTE: El manual de instrucciones que usted tiene en sus manos, contiene información fundamental acerca de las medidas de seguridad a adoptar a la hora de la instalación y la puesta en servicio. Por ello, es imprescindible que tanto el instalador como el usuario lean las instrucciones antes de pasar al montaje y la puesta en marcha. Conserve este manual para futuras consultas acerca del funcionamiento de este aparato.

Para conseguir un óptimo rendimiento de LumiPlus Flexi, es conveniente observar las instrucciones que se indican a continuación:

1. COMPRUEBE EL CONTENIDO DEL EMBALAJE:

- LumiPlus Flexi.
- Bolsa accesorios: prensaestopas FlexiNiche, prensaestopas FlexiRapid, 1 junta, 1 junta torica, arandela, cable y tornillos fijación (1 tornillo de fijación del punto de luz al embellecedor + 3 tornillos de fijación al prensaestopas).
- Folleto de garantía.
- Manual de instrucciones.

MODELOS DISPONIBLES SEGÚN CARACTERÍSTICAS

LumiPlus Flexi V1		LumiPlus Flexi V2	
Monocolor	RGB	Monocolor	RGB
71200 71200WW	71203	71233 71233WW	71204

LumiPlus Flexi 71200, 71200WW, 71233 and 71233WW no necesitan de ningún control ya que emiten solamente luz monocolor.

LumiPlus Flexi 71203 y 71204 si necesitan control para el cambio de color y de secuencias.

2. CARACTERÍSTICAS GENERALES:

LumiPlus Flexi ha sido diseñado para utilizarse totalmente sumergido en agua. Se trata de un aparato eléctrico de clase III con una muy baja tensión de seguridad (**12 V con corriente alterna**). Según norma EN 50065 el punto de luz es de clase 116.

LumiPlus Flexi cumple con el grado de protección IPX8 - 2 m.

LumiPlus Flexi cumple con las normas internacionales de seguridad de luminarias, en especial la norma EN 60598-2-18: LUMINARIAS PARTE 2: REQUERIMIENTOS PARTICULARES SECCIÓN 18 LUMINARIAS PARA PISCINAS Y APLICACIONES SIMILARES.

El fabricante en ningún caso se responsabiliza del montaje, instalación o puesta en funcionamiento de cualquier manipulación o incorporación de componentes eléctricos que no se hayan llevado a cabo en sus instalaciones.

3. INSTALACIÓN:

- Para iluminar correctamente una piscina se recomienda:
 - Instalar un LumiPlus Flexi V1 cada 20 m² de superficie de agua.
 - Instalar un LumiPlus Flexi V2 cada 25 m² de superficie de agua.

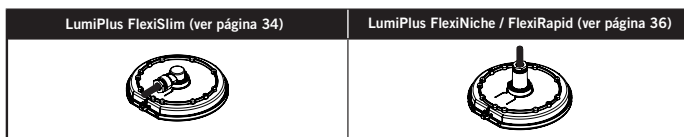
Nota: Recomendaciones válidas para piscinas con colores claros. En piscinas de colores oscuros o de acero inoxidable se recomienda sobredimensionar la proporción de puntos de luz por m².

- Es responsabilidad del instalador que la zona de los conectores quede perfectamente estanca.
- Las cajas de conexión deben estar al menos a 2 m. del borde les la piscina o instalación acuática.
- El transformador de 230/12V que alimenta LumiPlus Flexi debe estar instalado a una distancia de 3,5 m. del borde dela piscina o instalación acuática.
- Las canalizaciones instaladas a menos de 3,5 m del borde de la piscina no pueden tener ningún revestimiento ni cubierta metálica.
- La sección mínima de cable que admite LumiPlus Flexi es de 2x1mm² H07RN-F.
- La sección máxima de cable que admite LumiPlus Flexi es de 2x2,5mm² H07RN-F.
- La sección máxima de cable que admite LumiPlus Flexi Nicho y Flexi Rapid es de 2x2,5mm H07RN-F, en el caso del Flexi Slim, la sección máxima de cable que admite es de 2x1,5mm² H07RN-F.
- En el caso que la sección de cable existente sea de 2x4mm² H07RN-F hasta 2x6mm² H07RN-F, se deberá realizar un empalme subacuático. Para garantizar el correcto funcionamiento del proyector LumiPlus Flexi recomendamos usar el kit de conexión subacuática código AstralPool 32803.

ATTENTION

BAJO NINGÚN CONCEPTO SE DEBE UTILIZAR OTRO TORNILLO DIFERENTE AL SUBMINISTRADO PARA FIJAR EL PRENSA ESTOPAS DE LUMIPLUS FLEXI YA QUE PODRÍA ATRAVESARLO Y PROVOCAR LA ENTRADA DE AGUA.

4. MONTAJE:



Aquí se describe cómo proceder a conectar LumiPlus Flexi con el cable para garantizar la estanquidad en la zona de conexiones. Es importante seguir los siguientes pasos:

1. Asegurarse que no haya tensión eléctrica antes de manipular ningún cable.
2. Colocar la junta tórica.
3. Pasar el cable por el conjunto prensaestopas.
4. Conectar el cable al punto de luz y fijar los dos tornillos.
5. Fijar el prensaestopas al cuerpo del proyector, según la posición marcada. A continuación fijaremos los tres tornillos.
6. Procurar que la goma del cable quede dentro de la zona de conexiones y ya podemos proceder a apretar el prensaestopas con una llave (6N.m).
7. Asegurar que el cable quede bien fijado sin salir del prensaestopas.
8. Una vez conectado podemos proceder a fijar el proyector a la piscina (ver manual del embellecedor).

5. MANTENIMIENTO:

LumiPlus Flexi no necesita de ningún tipo de mantenimiento, si detectan que no funciona correctamente por favor pónganse en contacto con nuestro departamento de atención al cliente.

⚠ ESTÁ PROHIBIDO ACCEDER AL INTERIOR DEL PUNTO DE LUZ, SE PERDERÍA LA GARANTÍA DEL PRODUCTO.

6. CONEXIÓN ELÉCTRICA

Es muy importante para un correcto funcionamiento que LumiPlus Flexi reciba los 12Vac. LumiPlus Flexi se suministran con cable de 2x1mm² H07RN-F con 2,5metros. En caso de que la longitud sea insuficiente puede reemplazarse el cable (ver página 39). En el caso de sustituir o prolongar el cable original hace falta hacer un cálculo de secciones específico para cada instalación para garantizar que los 12 Voltios lleguen a LumiPlus Flexi y evitar caídas de tensión.

6.1. LUMIPLUS FLEXI MONOCOLOR

LumiPlus Flexi monocolor 12Vac se conecta directamente a un transformador de seguridad. No necesita dispositivo de control alguno, permite únicamente el encendido y apagado (ver página 38).

6.2. LUMIPLUS FLEXI RGB

El control de LumiPlus Flexi puede realizarse mediante dos sistemas diferentes: mediante un pulsador normalmente cerrado o bien mediante el modulador y el control remoto (opcional).

En ambos casos debe asegurarse que bajo ningún concepto la tensión que reciba LumiPlus Flexi sea superior a 12VAC. LumiPlus Flexi únicamente debe funcionar completamente sumergido y fijado a las paredes verticales de la piscina. Su funcionamiento fuera del agua podría ocasionar daños irreparables.

6.2.A. LumiPlus ECO: control mediante pulsador

El sistema dispone de 14 modos de funcionamiento: 7 colores fijos y 7 secuencias de colores diferentes. Mediante cada pulsación corta efectuamos un cambio de color o de secuencia. Mediante una pulsación larga iluminamos LumiPlus Flexi en color blanco.

• Diagrama de conexionado eléctrico (ver dibujo pág. 38)

El sistema Lumiplus ECO esta compuesto por LumiPlus Flexi, transformador y pulsador normalmente cerrado (NC). El Transformador debe estar dimensionado para suministrar los VA correspondientes a cada punto de luz que se conecte (ver tabla de la contraportada). Por ejemplo, si deseamos controlar 3 puntos de luz RGB V1 de 29VA cada uno, debemos conectarlos en paralelo a un transformador de como mínimo 100VA. El Pulsador deberá estar dimensionado para soportar la potencia consumida por el numero de puntos de luz de la instalación.

• Modos de funcionamiento

El conjunto LumiPlus ECO permite crear distintos escenarios luminosos en el interior de la piscina con dos posibilidades de funcionamiento:

Color fijo: Selección de un color fijo entre siete posibles.

Nº DE COLOR	COLOR
1	Blanco
2	Rojo
3	Azul
4	Verde
5	Magenta
6	Cian
7	Amarillo

Secuencia automática de colores: Selección entre siete programas de la secuencia de colores. Cada programa viene definido por el tiempo de presencia de cada color y la duración de la transición de un color a otro según la siguiente tabla:

SECUENCIA	ORDEN DE COLORES					
1	Rojo	Azul	Verde	Magenta	Cian	Amarillo
2	Rojo	Verde	Cian	Azul	Magenta	Amarillo
3	Magenta	Cian	Amarillo	-	-	-
4	Rojo	Azul	Verde	-	-	-
5	Magenta	Cian	Amarillo	-	-	-
6	Amarillo	Magenta	Cian	-	-	-
7	Verde	Rojo	Azul	-	-	-

Mediante cada pulsación efectuamos un cambio de color o secuencia. El ciclo de colores y secuencias es rotativo. Si por ejemplo tenemos el color 6, en la siguiente pulsación obtendremos el color 7, si volvemos a pulsar, obtendremos la secuencia 1. Si estamos en la secuencia 7, en la siguiente pulsación vamos a obtener el color 2 que corresponde al Rojo. El color 1, corresponde al color blanco y se obtiene mediante una pulsación larga.

6.2.B. LumiPlus TOP: control mediante el Modulador y/o el Control Remoto

El sistema dispone de 20 modos de funcionamiento: 12 colores fijos y 8 secuencias de colores diferentes.

Mediante el Modulador se controla el encendido y apagado de LumiPlus Flexi, los cambios de colores y secuencias y una temporización de apagado.

En caso de disponer de control remoto, además de realizar las funciones del modulador, el mando a distancia nos permitirá activar o desactivar la presencia de los colores que componen una secuencia y seleccionar el tiempo de temporización de apagado.

• Diagrama de conexionado eléctrico (ver dibujo pág. 38)

Para una correcta instalación, necesitamos el Modulador, el transformador y LumiPlus Flexi. Opcionalmente este sistema puede ser controlado por Control Remoto.

El Modulador se conecta a la red eléctrica de 230Vac mediante los dos bornes indicados como RED y se conecta al primario del transformador (230Vac) mediante los bornes indicados con TRF.

El Transformador debe estar dimensionado para suministrar los VA correspondientes a cada LumiPlus Flexi que se conecte (ver tabla de la contraportada). Por ejemplo, si deseamos controlar 3 LumiPlus Flexi RGB V1 de 29VA cada uno, debemos conectarlos en paralelo a un transformador de como mínimo 100VA.

Cada Modulador puede soportar hasta un máximo de 900VA.

Después de efectuar la conexión eléctrica, para su primera puesta en marcha, operar como sigue:

Dar alimentación al conjunto activando los 230 V~ac a la entrada del Modulador y este se sintonizará de forma automática con el transformador. El LED verde del Modulador efectuará un parpadeo cada 2 seg. y LumiPlus Flexi permanecerá apagado.

• Modos de funcionamiento

El conjunto **Mando a Distancia – Modulador – Transformador – LumiPlus Flexi**, permite crear distintos escenarios luminosos en el interior de la piscina con dos posibilidades de funcionamiento:

Color fijo: Selección de un color fijo entre doce posibles.

Nº DE COLOR	COLOR
1	Rojo
2	Verde
3	Azul
4	Amarillo
5	Cian
6	Magenta

Nº DE COLOR	COLOR
7	Celeste
8	Violeta pálido
9	Naranja
10	Rose
11	Verde esmeralda
12	Blanco

Seleccionar secuencia: Selección entre ocho programas de la secuencia de colores. Cada programa viene definido por el tiempo de presencia de cada color y la duración de la transición de un color a otro según la siguiente tabla:

SECUENCIA		ORDEN DE COLORES											
1	Rojo	Verde	Azul										
2	Cian	Magenta	Amarillo										
3	Verde	Verde esmeralda	Cian	Celeste	Azul	Cian	Verde esmeralda						
4	Rojo	Naranja	Verde	Naranja									
5	Rojo	Rosa	Azul	Rosa									
6	Rojo	Naranja	Verde	Cian	Azul	Rosa							
7	Violeta pálido	Magenta	Cian	Amarillo	Blanco	Amarillo	Cian	Magenta					
8	Rojo	Verde	Azul	Amarillo	Cian	Magenta	Violeta pálido	Celeste	Naranja	Rosa	Verde esmeralda	Blanco	

7. ADVERTENCIAS DE SEGURIDAD:

- La luminaria debería colocarse de forma que no se espera una mirada prolongada a la luminaria a una distancia más cercana a 2,36m (esto aplica solo a los módulos LED RGB).
- Si el cable flexible o cordón de esta luminaria está dañado, debe sustituirse exclusivamente por el fabricante o su servicio técnico o una persona de cualificación equivalente con objeto de evitar cualquier riesgo.
- La fuente de luz de esta luminaria debe reemplazarse únicamente por el fabricante, su servicio técnico o persona cualificada equivalente.
- Se debe evitar entrar en contacto con la tensión eléctrica.
- Se deben respetar las normas vigentes para la prevención de accidentes.
- A tal respecto, se deben cumplir las normas IEC 364-7-702: INSTALACIONES ELÉCTRICAS EN EDIFICIOS. INSTALACIONES ESPECIALES. PISCINAS.
- Cualquier operación de mantenimiento debe realizarse con LumiPlus Flexi desconectado de la red.
- No manipular con los pies mojados.
- LumiPlus Flexi está diseñado PARA FUNCIONAR ÚNICAMENTE SUMERGIDO EN AGUA y está concebido PARA FUNCIONAR ÚNICAMENTE CON UN TRANSFORMADOR DE SEGURIDAD.
- LumiPlus Flexi resiste a los tratamientos de piscina descritos seguidamente siempre que los valores de concentración no superen los siguientes valores:

TIPO DE TRATAMIENTO	CONCENTRACIÓN EN EL AGUA
Cloro	2 mg /l
Bromo	5 mg/l
Electrólisis de sal (Na Cl)	6 g/l

Atención: el Ph del agua de la piscina siempre debe estar entre 7,2 y 7,6.

IMPORTANTE: Il manuale d'istruzioni in suo possesso contiene informazioni fondamentali sulle misure di sicurezza da adottare per l'installazione e la messa in servizio. Per ciò è imprescindibile che sia l'installatore che l'utente leggano le istruzioni prima di iniziare il montaggio e la messa in servizio.
Conservi questo manuale per poter consultare in futuro in merito al funzionamento di questo apparecchio.

Per ottenere un ottimo rendimento del LumiPlus Flexi, è conveniente fare attenzione alle seguenti istruzioni:

1. VERIFICARE IL CONTENUTO DELL'IMBALLAGGIO:

- LumiPlus Flexi.
- Borsa porta accessori: premistoppa FlexiNiche, premistoppa FlexiRapid, 1 guarnizione, 1 o-ring, anello elastico, cavo e vite di fissaggio (1 vite di fissaggio della luce con la flangia + 3 viti di fissaggio con il premistoppa).
- Foglio di garanzia.
- Manuale per l'uso.

MODELLI DISPONIBILI A SECONDA DELLE CARATTERISTICHE

LumiPlus Flexi V1		LumiPlus Flexi V2	
Monocolor	RGB	Monocolor	RGB
71200 71200WW	71203	71233 71233WW	71204

Per LumiPlus Flexi 71200, 71200WW, 71233 e 71233WW non è necessario nessun controllo perché emettono solo luce monocolor.

Per LumiPlus Flexi 71203 e 71204 hanno invece bisogno del controllo per cambiare colore e sequenze.

2. CARATTERISTICHE GENERALI:

LumiPlus Flexi è stato disegnata per essere utilizzata totalmente sommerso in acqua. Si tratta di un apparecchio elettrico di classe III con una bassissima tensione di sicurezza (**12 V con corrente alternata**).

Il LumiPlus Flexi comple con il grado di protezione IPX8 - 2m.

LumiPlus Flexi seguì le norme internazionali di sicurezza d'illuminazione, specialmente la norma EN 60598-2-18: ILLUMINAZIONE PARTE 2: PRESCRIZIONI PARTICOLARI SEZIONE 18 ILLUMINAZIONE PER PISCINE E APPLICAZIONI SIMILARI.

Il fabbricante rifiuta qualsiasi responsabilità per il montaggio, l'installazione o la messa in funzione di componenti elettrici che sono stati manipolati o introdotti al di fuori dei suoi stabilimenti.

3. INSTALLAZIONE:

• Per illuminare correttamente una piscina si raccomanda di:

Collocare un faro LumiPlus Flexi V1 ogni 20 m² di superficie d'acqua.

Collocare un faro LumiPlus Flexi V2 ogni 25 m² di superficie d'acqua.

N.B: Raccomandazioni valide per piscine realizzate con colori chiari. Per i modelli in acciaio inossidabile o tonalità scure si consiglia di aumentare la proporzione di luci per m².

• L'installatore si assicurerà della perfetta tenuta della zona dei connettori.

• Le scatole di connessione devono trovarsi ad almeno 2 m dal bordo della piscina o dell'impianto acquatico.

• Il trasformatore di 230/12V che alimenta LumiPlus Flexi deve trovarsi a una distanza di 3,5 m dal bordo della piscina o dell'impianto acquatico.

• I condotti disposti a meno di 3,5 m dal bordo della piscina non possono avere alcun rivestimento né copertura metallica.

• Con LumiPlus Flexi occorre utilizzare un cavo con sezione minima di 2x1 mm² H07RN-F.

• Con LumiPlus Flexi occorre utilizzare un cavo con sezione massima di 2x2,5 mm² H07RN-F.

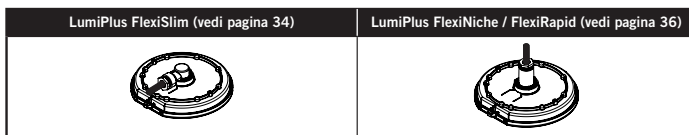
• La sezione massima del cavo compatibile con LumiPlus Flexi Nicchia e Flexi Rapid è 2x2,5 mm² H07RN-F, mentre nel caso di Flexi Slim la sezione massima del cavo ammesso è 2x1,5 mm² H07RN-F.

• Qualora la sezione del cavo esistente fosse 2x4 mm² H07RN-F fino a 2x6 mm² H07RN-F il collegamento va effettuato sott'acqua. Per garantire il corretto funzionamento del faro LumiPlus Flexi si consiglia di utilizzare l'apposito kit di collegamento sott'acqua con codice AstralPool 32803.

ATTENZIONE

PER FISSARE IL PREMISTOPPA LUMIPLUS FLEXI NON UTILIZZARE MAI VITI DIVERSE DA QUELLE FORNITE PER EVITARE DI FORARLO, PROVOCANDO L'INFILTRAZIONE DI ACQUA

4. MONTAGGIO:



Di seguito, si descrive come procedere per collegare LumiPlus Flexi al cavo in modo tale da garantire la massima tenuta nella zona dei collegamenti. È importante seguire i passi successivi:

1. Prima di toccare i cavi controllare che non vi sia tensione elettrica.
2. Collocare l'o-ring.
3. Far passare il cavo dal gruppo dei premistoppa.
4. Collegare il cavo alla luce e fissare le due viti.
5. Fissare il premistoppa al corpo del faro, secondo la posizione indicata. Successivamente, fissare le tre viti.
6. Fare in modo che l'elastico del cavo si trovi all'interno della zona di collegamenti, quindi fissare il premistoppa con un'apposita chiave (6 N.m).
7. Assicurarsi che il cavo sia ben fisso e non esca dal premistoppa.
8. Al termine del collegamento, fissare il faro alla piscina (vedasi il manuale della flangia).

5. MANUTENZIONE:

LumiPlus Flexi non richiede alcun tipo di manutenzione. Qualora si rilevassero delle anomalie di funzionamento contattare il nostro ufficio di assistenza clienti.

⚠ L'APERTURA DELLA LUCE E LA MANIPOLAZIONE AL SUO INTERNO IMPLICA LA CANCELLAZIONE DELLA GARANZIA DEL PRODOTTO.

6. CONNESSIONI ELETTRICHE

È molto importante per assicurarsi un corretto funzionamento che LumiPlus Flexi riceva 12 VAC. LumiPlus Flexi è fornito in dotazione con 2,5 m di cavo 2x1 mm² H07RN-F. Qualora la lunghezza fosse insufficiente è possibile sostituire il cavo (vedi pagina 39). In caso di sostituzione o allungamento del cavo originale eseguire un calcolo specifico delle sezioni per ogni impianto per assicurarsi che i 12 V arrivino a LumiPlus Flexi ed evitare così cadute di tensione.

6.1. LUMIPLUS FLEXI MONOCOLORE

LumiPlus Flexi monocolore 12 VAC si collega direttamente a un trasformatore di sicurezza. Non necessita di alcun tipo di dispositivo di controllo e consente unicamente l'accensione e lo spegnimento (vedi pagina 38).

6.2. LUMIPLUS FLEXI RGB

LumiPlus Flexi è controllabile tramite due sistemi diversi: mediante un pulsante normalmente chiuso oppure mediante il modulatore e il controllo a distanza (optional).

In entrambi i casi assicurarsi che la tensione ricevuta da LumiPlus Flexi non superi mai i 12 VAC.

LumiPlus Flexi deve funzionare solo completamente sommerso e fissato alle pareti verticali della piscina. Usarlo fuori dall'acqua potrebbe cagionare dei danni irreparabili.

6.2.A. LumiPlus ECO: controllo mediante pulsante

Il sistema dispone di 14 modalità di funzionamento: 7 colori fissi e 7 sequenze di colori diversi. Per ogni pressione breve del pulsante si effettuerà un cambio di colore o di sequenza. Con una pressione lunga si passerà/anno il/i proiettore/i sul colore bianco.

• Diagramma di connessione elettrica (vedi disegno pagina 38)

Il sistema LumiPlus ECO è costituito da LumiPlus Flexi, trasformatore e pulsante normalmente chiuso (NC). Le dimensioni del trasformatore devono essere tali da fornire i VA corrispondenti a ogni luce collegata (cfr. tabella sul retro). Ad esempio, per controllare 3 luci RGB V1 da 29 VA ciascuna occorre collegarle in parallelo a un trasformatore di almeno 100 VA. Le dimensioni del pulsante devono essere tali da tollerare la potenza consumata dal numero di luci dell'impianto.

• **Modalità di funzionamento**

L'insieme LumiPlus ECO permette di creare vari scenari luminosi all'interno della piscina, con due diverse possibilità di funzionamento:

Colore fisso: selezione di un colore fisso tra sette possibilità.

N° DE COLORE	COLORE
1	Blanco
2	Rosso
3	Blu
4	Verde
5	Magenta
6	Ciano
7	Giallo

Sequenza automatica di colori: sselezione tra sette programmi della sequenza di colori. Ciascun programma viene definito dal tempo di presenza di ciascun colore e dalla durata della transizione da un colore all'altro in base alla tabella indicata di seguito:

SEQUENZA	ORDINE DEI COLORE					
1	Rosso	Blu	Verde	Magenta	Ciano	Giallo
2	Rosso	Verde	Ciano	Blu	Magenta	Giallo
3	Magenta	Ciano	Giallo	-	-	-
4	Rosso	Blu	Verde	-	-	-
5	Magenta	Ciano	Giallo	-	-	-
6	Giallo	Magenta	Ciano	-	-	-
7	Verde	Rosso	Blu	-	-	-

Mediante ogni pressione del pulsante si realizzerà un cambio di colore o di sequenza. Il ciclo di colori e sequenze è rotativo. Se per esempio abbiamo il colore 6, alla seguente pressione si otterrà il colore 7, e se si preme di nuovo si otterrà la sequenza 1. Se ci troviamo nella sequenza 7, alla seguente pressione si otterrà il colore 2 che corrisponde al rosso. Il colore 1, corrisponde al colore bianco e si ottiene mediante una pressione lunga.

6.2.B. LumiPlus TOP: controllo mediante il modulare e/o il controllo a distanza

Il sistema dispone di 20 modalità di funzionamento: 12 colori fissi e 8 sequenze di colori diversi.

Mediante il Modulare si controlla l'accensione e lo spegnimento dei proiettori, il cambio dei colori e delle sequenze e un timer per lo spegnimento.

In caso di disporre di controllo a distanza, oltre a realizzare le funzioni del modulare, il comando a distanza consente di attivare o disattivare la presenza dei colori che compongono una sequenza e selezionare il tempo del timer di spegnimento.

• **Diagramma di connessione elettrica (vedi disegno pagina 38)**

Per una corretta installazione si ha bisogno di: modulatore, trasformatore e LumiPlus Flexi. Eventualmente il sistema è controllabile a distanza.

Il modulatore si collega alla rete elettrica da 230 VAC tramite i due morsetti contrassegnati con la dicitura "RED" e si collega al primario del trasformatore (230 VAC) tramite i morsetti contrassegnati con la dicitura "TRF".

Le dimensioni del trasformatore devono essere tali da fornire i VA corrispondenti a ogni LumiPlus Flexi collegato (cfr. tabella sul retro). Ad esempio, per controllare 3 LumiPlus Flexi RGB V1 da 29 VA ciascuna occorre collegarle in parallelo a un trasformatore di almeno 100 VA.

Ogni Modulatore può sopportare fino ad un massimo di 900VA.

Dopo aver effettuato la connessione elettrica, per la prima messa in funzione del LumiPlus Flexi si dovrà procedere nella seguente maniera:

Dare alimentazione all'insieme attivando i 230 V-AC all'entrata del modulare e questo si sintonizzerà in maniera automatica con il trasformatore. Il LED verde del Modulare comincerà a lampeggiare con una cadenza di 2 sec. e il LumiPlus Flexi rimarrà spento.

• **Tipi d'illuminazione**

Il gruppo **Telecomando – Modulare – Trasformatore – LumiPlus Flexi**, consente di creare diversi scenari luminosi

all'interno della piscina, con due possibilità di funzionamento:

Colore fisso: selezione di un colore fisso tra dodici possibili.

N° DE COLORE	COLORE
1	Rosso
2	Verde
3	Blu
4	Giallo
5	Ciano
6	Magenta

N° DE COLORE	COLORE
7	Viola pallido
8	Celeste
9	Arancione
10	Rosa
11	Verde smeraldo
12	Blanco

Sequenza automatica dei colori: selezione tra otto programmi della sequenza di colori. Ciascun programma viene definito dal tempo di presenza di ogni colore e dalla durata della transizione da un colore all'altro in base alla tabella indicata di seguito:

SEQUENZA	ORDINE DEI COLORE											
1	Rosso	Verde	Blu									
2	Ciano	Magenta	Giallo									
3	Verde	Verde Smeraldo	Ciano	Celeste	Blu	Celeste	Blu	Celeste	Ciano	Verde Smeraldo		
4	Rosso	Arancione	Verde	Arancione								
5	Rosso	Rosa	Blu	Rosa								
6	Rosso	Arancione	Verde	Ciano	Blu	Rosa						
7	Viola pallido	Magenta	Ciano	Giallo	Blanco	Giallo	Ciano	Magenta				
8	Rosso	Verde	Blu	Giallo	Ciano	Magenta	Viola pallido	Celeste	Arancione	Magenta	Verde Smeraldo	Blanco

7. AVVERTENZE DI SICUREZZA:

- La luce va disposta in modo tale da escludere la possibilità che qualcuno la fissi a lungo a una distanza inferiore a 2,36 m (solo per moduli LED RGB).
- In caso di danni al cavo flessibile o alla corda della luce, rivolgersi esclusivamente al produttore, al rispettivo personale di assistenza tecnica o a una persona in possesso di qualifica equivalente per la rispettiva sostituzione in modo tale da evitare qualsiasi rischio.
- La sorgente luminosa di questo dispositivo può essere sostituita solo dal produttore, dal rispettivo personale di assistenza tecnica o da una persona in possesso di qualifica equivalente.
- Si deve evitare di entrare in contatto con la tensione elettrica.
- Si devono rispettare le norme vigenti per la prevenzione d'incidenti.
- A tal proposito, si devono rispettare le norme IEC 364-7-702: **INSTALLAZIONI ELETTRICHE IN EDIFICI. INSTALLAZIONI SPECIALI. PISCINE.**
- Qualsiasi operazione di manutenzione o sostituzione di pezzi deve essere realizzata con il proiettore scollegato dalla rete.
- No operare con i piedi bagnati.
- LumiPlus Flexi è stato progettato per **ESSERE UTILIZZATO ESCLUSIVAMENTE SOTT'ACQUA** ed è stato concepito **PER FUNZIONARE UNICAMENTE CON UN TRASFORMATORE DI SICUREZZA.**
- LumiPlus Flexi resiste ai trattamenti di piscina descritto prossimamente a condizione che i valori di concentrazione non superano i valori seguenti:

TIPO DE TRATTAMENTO	CONCENTRAZIONE IN ACQUA
Cloro	2 mg/l
Bromo	5 mg/l
Elettrolisi di sal (Na Cl)	6 g/l

Attenzione : Notare che il Ph dell'acqua della piscina deve sempre essere compresa tra 7,2 e 7,6.

DEUTSCH

WICHTIG: Das Handbuch mit den Betriebsanleitungen, das Sie in Händen halten, enthält wichtige Information über die anzuwendenden Sicherheitsmaßnahmen für die Installation und Inbetriebnahme. Es ist daher unerlässlich, daß die Anweisungen vom Installateur und vom Benutzer vor der Montage und Inbetriebnahme aufmerksam durchgelesen werden. Bewahren Sie dieses Handbuch auf, falls Sie zu einem späteren Zeitpunkt Informationen über die Funktion dieses Apparates nachschlagen möchten.

Um die beste Leistung des LumiPlus Flexi, zu erzielen, empfiehlt es sich, die nachfolgenden Anweisungen zu befolgen:

1. ÜBERPRÜFEN SIE DEN INHALT DES PACKSTÜCKES:

- LumiPlus Flexi.
- Zubehörbeutel: Stopfbuchse FlexiNiche, Stopfbuchse FlexiRapid, 1 Dichtung, 1 O-Ring-Dichtung, Unterlegscheibe, Kabel und Befestigungsschrauben (1 Befestigungsschraube für die Leuchte an der Blende + 3 Befestigungsschrauben an der Stopfbuchse).
- Garantiebrochüre.
- Bedienungsanleitung.

MODELLE VERFÜGBAR JE NACH PRODUKTMERKMAL

LumiPlus Flexi V1		LumiPlus Flexi V2	
Monochrom	RGB	Monochrom	RGB
71200 71200WW	71203	71233 71233WW	71204

Die LumiPlus Flexi 71200, 71200WW, 71233 und 71233WW verfügen über keine Steuerung, da sie ausschließlich monochrom Licht ausstrahlen.

Die LumiPlus Flexi 71203 und 71204 brauchen eine Steuerung für die Veränderung von Farbe und Sequenz.

2. ALLGEMEINE KARAKTERISTIKEN:

LumiPlus Flexi wurde so entworfen, dass er in Schwimmbäder mit Wasser. Es handelt sich um einen elektrischen Apparat der Klasse III mit Sicherheitsniedrigspannung (**12 V mit Wechselstrom**). Laut Norm EN 50065 handelt es sich um eine Lampe der Klasse 116.

LumiPlus Flexi entspricht der Schutzklasse IPX8 - 2 m.

LumiPlus Flexi erfüllt die internationalen Sicherheitsnormen für Lampen, vor allem die Norm EN-60598-2-18: LEUCHTEN TEIL 2: BESONDERE ANFORDERUNGEN SEKTION 18 LEUCHTEN FÜR SCHWIMMBECKEN UND ÄHNLICHE ANWENDUNGEN.

Der Hersteller haftet in keinem Fall für Montagen, Installationen oder Inbetriebnahmen oder für jegliche Handhabung oder den Einbau von elektrischen Komponenten, die nicht im Werk des Herstellers erfolgen.

3. INSTALLATION:

- Um ein Schwimmbad richtig zu beleuchten, wird Folgendes empfohlen:

Einen LumiPlus Flexi V1 pro 20 m² Wasserfläche installieren.

Einen LumiPlus Flexi V2 pro 25 m² Wasserfläche installieren.

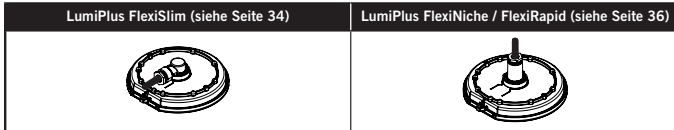
Hinweis: Diese Empfehlungen gelten für Schwimmbäder in hellen Farben. Bei Schwimmbädern in dunklen Farben oder aus rostfreiem Stahl werden mehr Leuchten pro m² empfohlen.

- Der Installateur ist dafür verantwortlich, dass der Bereich der Anschlüsse vollkommen dicht ist.
- Die Anschlusskästen müssen mindestens 2 m vom Schwimmbadrand bzw. der Wasserinstallation entfernt sein.
- Der Transformator 230/12V zur Versorgung des LumiPlus Flexi muss in einem Abstand von 3,5 m vom Schwimmbadrand oder der Wasserinstallation installiert sein.
- Die Kabelkanäle müssen mindestens 3,5 m vom Schwimmbadrand entfernt installiert werden und dürfen keine metallische Verkleidung oder Abdeckung aufweisen.
- Der minimal zulässige Kabeldurchmesser für LumiPlus Flexi beträgt 2x1mm² H07RN-F.
Der maximal zulässige Kabeldurchmesser für LumiPlus Flexi beträgt 2x2,5mm² H07RN-F.
- Der für LumiPlus Flexi Nicho und Flexi Rapid zugelassene maximale Kabelquerschnitt ist 2x2,5mm² H07RN-F; im Fall von Flexi Slim ist der zugelassene maximale Kabelquerschnitt 2x1,5mm² H07RN-F.
- Wenn der Kabelquerschnitt zwischen 2x4mm² H07RN-F und 2x6mm² H07RN-F liegt, muss unter Wasser ein Anschluss gelegt werden. Um den einwandfreien Betrieb des Strahlers LumiPlus Flexi zu garantieren, empfehlen wir für den Anschluss die Verwendung des Unterwasserkits Art.-Nr. AstralPool 32803.

ACHTUNG

UNTER KEINEN UMSTÄNDEN DARF EINE ANDERE ALS DIE IM LIEFERUMFANG ENTHALTENE SCHRAUBE ZUR BEFESTIGUNG DER STOPFBUCHSE FÜR LUMIPLUS FLEXI VERWENDET WERDEN, DA SIE DIESEN DURCHSTECHEN ODER DAS EINDRINGEN VON WASSER VERURSACHEN KÖNNTE.

4. MONTAGE:



Hier wird beschrieben, wie der LumiPlus Flexi an das Kabel angeschlossen wird, um die Dichtigkeit des Anschlusses zu gewährleisten. Hierzu müssen die folgenden Schritte ausgeführt werden:

1. Vor der Handhabung jeglicher Kabel sicherstellen, dass keine elektrische Spannung anliegt.
2. Die O-Ring-Dichtung anbringen.
3. Das Kabel durch das Stopfbüchsen-Ensemble führen.
4. Das Kabel mit der Leuchte verbinden und die beiden Schrauben befestigen.
5. Die Stopfbuchse am Projektorgehäuse an der markierten Position befestigen. Anschließend die drei Schrauben befestigen.
6. Dafür sorgen, dass das Kabelgummi im Anschlussbereich untergebracht ist. Dann kann die Stopfbuchse mit einem Schlüssel (6 N.m) festgezogen werden.
7. Sicherstellen, dass das Kabel gut befestigt ist und nicht aus der Stopfbuchse herausrutschen kann.
8. Nach dem Anschluss kann der Projektor im Schwimmbad befestigt werden (siehe Handbuch der Blende).

5. WARTUNG:

LumiPlus Flexi benötigt keinerlei Wartung. Wenn Sie eine Fehlfunktion feststellen, wenden Sie sich bitte an unsere Kundendienstabteilung.

⚠ ES DARF NICHT AUF DAS INNERE DER LEUCHE ZUGRIFFEFEN WERDEN; ANDERNFALLS WIRD DIE PRODUKTGARANTIE UNGÜLTIG.

6. ELEKTRISCHER ANSCHLUSS

Für ein ordnungsgemäßes Funktionieren ist es sehr wichtig, dass LumiPlus Flexi die 12Vac erhält. LumiPlus Flexi wird mit einem Kabel 2x1mm² H07RN-F von 2,5 m geliefert. Falls diese Länge nicht ausreicht, kann das Kabel ersetzt werden (siehe Seite 39). Wenn das Originalkabel ersetzt oder verlängert wird, muss der spezifische Durchmesser für jede Installation berechnet werden, um sicherzustellen, dass die 12 Volt den LumiPlus Flexi erreichen und um Spannungsabfälle zu vermeiden.

6.1. LUMIPLUS FLEXI EINFARBIG

LumiPlus Flexi einfarbig 12Vac wird direkt an einen Sicherheitstransformator angeschlossen. Es ist keinerlei Steuergerät erforderlich, und nur das Ein- und Ausschalten ist möglich (siehe Seite 38).

6.2. LUMIPLUS FLEXI RGB

Die Steuerung des LumiPlus Flexi kann über zwei unterschiedliche Systeme erfolgen: einen normalerweise geschlossenen Taster oder einen Modulator und Fernbedienung (optional).

In beiden Fällen muss sichergestellt werden, dass die am LumiPlus Flexi anliegende Spannung nie über 12VAC liegt. LumiPlus Flexi darf nur vollständig ins Wasser eingetaucht und an die senkrechten Schwimmbadwände befestigt verwendet werden. Die Verwendung außerhalb des Wassers kann zu irreparablen Schäden führen.

6.2.A. LumiPlus ECO: Steuerung über Schalter

Das System verfügt über 14 Betriebsmodi: 7 feste Farben und 7 verschiedene Farbsequenzen. Durch kurzes Drücken wird die Farbe oder die Sequenz gewechselt. Durch langes Drücken wird für den LumiPlus Flexi die Farbe Weiß festgelegt.

• Elektrischer Schaltplan (siehe Abb. Seite 38)

Das System LumiPlus ECO besteht aus LumiPlus Flexi, Transformator und normalerweise geschlossenem Taster (NC). Der Transformator muss so ausgelegt sein, dass die jeder angeschlossenen Leuchte entsprechenden VA geliefert werden (siehe Tabelle auf dem hinteren Deckblatt). Wenn z. B. 3 Leuchten RGB V1 von je 29VA gesteuert werden sollen, müssen sie parallel an einen Transformator von mindestens 100VA angeschlossen werden. Der Taster muss so ausgelegt sein, dass er der verbrauchten Leistung pro Anzahl der Leuchten in der Installation angemessen ist.

• Funktionsmodus

Mit dem LumiPlus ECO können verschieden beleuchtete Atmosphären im Swimmingpool geschaffen werden.

Dazu gibt es zwei verschiedene Funktionen:

Feste Farbe: Auswahl einer festen Farbe unter sieben Möglichkeiten.

FARBNUMMER	FARBE
1	Weiß
2	Rot
3	Blau
4	Grün
5	Magentarot
6	Cyan
7	Gelb

Automatische Farbfolge: Auswahl unter sieben Programmen für Farbfolgen. Jedes Programm ist durch die Zeit, in der die jeweilige Farbe leuchtet, definiert, und auch durch die Dauer des Übergangs von einer Farbe in die andere. Im folgenden finden Sie eine entsprechende Tabelle:

SEQUENZ	REINHENFOLGE DER FARBEN					
1	Rot	Blau	Grün	Magentarot	Cyan	Gelb
2	Rot	Grün	Cyan	Blau	Magentarot	Gelb
3	Magentarot	Cyan	Gelb	-	-	-
4	Rot	Blau	Grün	-	-	-
5	Magentarot	Cyan	Gelb	-	-	-
6	Gelb	Magentarot	Cyan	-	-	-
7	Grün	Rot	Blau	-	-	-

Mit jedem Schalterdruck wird eine Farb- oder Sequenzänderung durchgeführt. Der Zyklus der Farben oder Sequenzen ist rotierend. Wenn z. B. die Farbe 5 gezeigt wird, wird durch die Schalterbetätigung auf die Farbe 6 geändert, wenn Sie den Schalter wieder drücken, kommen Sie zur Sequenz 7. Wenn die Sequenz 7 eingestellt ist, folgt beim nächsten Schalterdruck die Farbe 2, die der Farbe Rot entspricht.

Die Farbe 1, die der Farbe Weiß entspricht, wird durch einen längeren Schalterdruck eingestellt.

6.2.B. COLORPLUS TOP: Steuerung über einen Modularen und/oder Fernbedienung

Das System verfügt über 20 Funktionsmodus: 12 feste Farben und 8 Sequenzen verschiedener Farben. Mithilfe des Modularens werden die Scheinwerfer ein- und ausgeschaltet, der Farb- und Sequenzwechsel gesteuert und das automatische Ausschalten wird über einen Zeitschalter eingestellt.

Falls eine Fernbedienung vorhanden ist, die die Funktionen des Modularens ausführen kann, kann man mit dieser auch Farben aktivieren oder deaktivieren, die zu einer Sequenz gehören, und die Zeit für das automatische Abschalten einstellen.

• Elektrischer Schaltplan (siehe Zeichnung seite 38)

Für eine korrekte Installation sind der Modulator, der Transformator und die LED-Leuchten erforderlich. Optional kann dieses System per Fernbedienung gesteuert werden.

Der Modulator wird mithilfe der zwei als RED gekennzeichneten Klemmen an das Stromnetz von 230 Vac angeschlossen und an den Hauptanschluss des Transformators (230 Vac) mit den als TRF bezeichneten Klemmen angeschlossen.

Der Transformator muss so ausgelegt sein, dass die jedem angeschlossenen LumiPlus Flexi entsprechenden VA geliefert werden (siehe Tabelle auf dem hinteren Deckblatt). Wenn z. B. 3 LumiPlus Flexi RGB V1 von je 29VA gesteuert werden sollen, müssen sie parallel an einen Transformator von mindestens 100VA angeschlossen werden.

Jeder Modulator kann bis zu maximal 900VA aushalten.

Zunächst den elektrischen Anschluss durchführen und dann für die erste Inbetriebnahme wie folgt verfahren: Wenn Sie dem Apparat Strom zuführen und die 230 V-ac am Eingang des Modularens aktivieren, stellt sich der Modulator automatisch mit dem Transformator ein. Das grün LED des Modularens blinkt alle 2 Sekunden auf und der

Scheinwerfer ist aus.

• **Arten der Beleuchtung**

Die Gruppe **Fernbedienung – Modulare – Transformator - LumiPlus Flexi** ermöglicht verschiedene Beleuchtungsarten im Inneren des Schwimmbeckens mit zwei Funktionsmöglichkeiten:

Feste Farbe: Auswahl einer festen Farbe unter zwölf Möglichkeiten.

FARNUMMER	FARBE
1	Rot
2	Grün
3	Blau
4	Gelb
5	Cyan
6	Magentarot

N° DE COLORE	COLORE
7	Violett matt
8	Himmelblau
9	Orange
10	Rosa
11	Smaragegrün
12	Weiß

Automatische Farbfolge: Auswahl unter acht Programmen für Farbfolgen. Jedes Programm ist durch die Zeit, in der die jeweilige Farbe präsent ist, definiert, und auch durch die Dauer des Übergangs von einer Farbe in die andere. Im folgenden finden Sie eine entsprechende Tabelle:

SEQUÊNCIA				ORDEM DAS CORES									
1	Rot	Grün	Blau										
2	Cyan	Magentarot	Gelb										
3	Grün	Smaragegrün	Cyan	Himmelblau	Blau	Himmelblau	Cyan	Smaragegrün					
4	Rot	Orange	Grün	Orange									
5	Rot	Rosa	Blau	Rosa									
6	Rot	Orange	Grün	Cyan	Blau	Rosa							
7	Violett matt	Magentarot	Cyan	Gelb	Weiß	Gelb	Cyan	Magentarot					
8	Rot	Grün	Blau	Gelb	Cyan	Magentarot	Violett matt	Himmelblau	Orange	Rosa	Smaragegrün	Weiß	

7. SICHERHEITSVORSCHRIFTEN:

- Die Leuchte muss so angebracht werden, dass nicht von einem längeren Blick in die Leuchte aus einer Entfernung von weniger als 2,36m ausgegangen werden kann (dies gilt nur für die Module LED RGB).
- Wenn das Flexkabel bzw. Kabel dieser Leuchte beschädigt ist, darf es nur vom Hersteller oder dessen technischem Kundendienst ersetzt werden, bzw. von einer Fachkraft mit vergleichbaren Qualifikationen, um jedes Risiko zu vermeiden.
- Die Leuchtquelle dieser Leuchte darf nur vom Hersteller, dessen technischem Kundendienst oder einer entsprechend qualifizierten Fachkraft ausgewechselt werden.
- Die mit der Montage beauftragten Personen müssen über die für diese Art Arbeiten erforderliche Qualifizierung verfügen.
- Der Kontakt mit der Elektrospannung muß vermieden werden.
- Die für die Vermeidung von Unfällen gültigen Normen müssen beachtet werden.
- Zu diesem Zweck müssen die Normen IEC 364-7-702: ELEKTROINSTALLATIONEN IN GEBÄUDEN. SPEZIALINSTALLATIONEN. SWIMMINGPOOLS angewendet werden.
- Jede Art Wartung oder Austausch von Teilen darf nur vorgenommen werden, wenn der Strahler von der Stromzufuhr abgeschaltet ist.
- Am Strahler darf nie gearbeitet werden, wenn die Füße naß sind.
- LumiPlus Flexi ist NUR FÜR DIE NUTZUNG UNTER WASSER ausgelegt und DARF NUR MIT EINEM SICHERHEITS-TRANSFORMATOR BETRIEBEN WERDEN.
- LumiPlus Flexi widersteht zu den Behandlungen von Schwimmbecken, nächstens beschrieben, solange die Werte von Konzentration die folgenden Werte nicht übertreffen.

VERARBEITUNGS-TYP	KONZENTRATION IN WASSER
Chlor	2 mg/l
Brom	5 mg/l
Salinen-Elektrolysen (Na Cl)	6 g/l

Achtung: Nehmen Sie bitte zur Kenntnis, dass die Ph von Poolwasser immer zwischen 7.2 und 7.6 sein müssen.

PORTUGUÊS

IMPORTANTE: O manual de instruções que você tem nas mãos contém informação fundamental sobre as medidas de segurança a tomar ao realizar a instalação e a colocação em funcionamento. Por isso, é imprescindível que tanto o instalador como o utilizador leiam as instruções antes de realizar a montagem e a colocação em funcionamento. Guarde este manual para futuras consultas sobre o funcionamento deste aparelho.

Para conseguir um ótimo rendimento do LumiPlus Flexi, é conveniente observar as instruções que se indicam abaixo:

1. VERIFIQUE O CONTEÚDO DA EMBALAGEM:

- LumiPlus Flexi.
- Saco de acessórios: bucim FlexiNiche, bucim FlexiRapid, 1 junta, 1 anel de vedação, anilha, cabo e parafusos de fixação (1 parafuso de fixação do ponto de luz no embelezador + 3 parafusos de fixação no bucim).
- Folheto de garantia.
- Manual de Instruções.

MODELOS DISPONÍVEIS DEPENDENDO DAS CARACTERÍSTICAS

LumiPlus Flexi V1		LumiPlus Flexi V2	
Monocor	RGB	Monocor	RGB
71200 71200WW	71203	71233 71233WW	71204

As LumiPlus Flexi 71200, 71200WW, 71233 e 71233WW não necessitam de qualquer controlo, dado que emitem apenas luz monocor.

As LumiPlus Flexi 71203 e 71204 necessitam de controlo para a mudança de cor e de sequências.

2. CARACTERÍSTICAS GERAIS:

LumiPlus Flexi foi concebido para ser utilizado totalmente submerso em água. Trata-se de um aparelho elétrico da classe III com urna tensão de segurança muito baixa (**12 V com corrente alterna**).

LumiPlus Flexi cumpre o grau de proteção IPX8 - 2 m.

De acordo com a norma EN 50065, o ponto de luz é a classe 116.

LumiPlus Flexi cumpre as normas internacionais de segurança de aparelhos de iluminação, em especial a norma EN 60598-2-18. APARELHOS DE ILUMINAÇÃO PARTE 2: REQUISITOS ESPECIAIS SECÇÃO 18 APARELHOS DE ILUMINAÇÃO PARA PISCINAS E APLICAÇÕES SIMILARES.

O fabricante não se responsabiliza em nenhum caso pela montagem, instalação ou colocação em funcionamento, por qualquer manipulação ou incorporação de componentes elétricos que não tenham sido realizadas nas suas instalações.

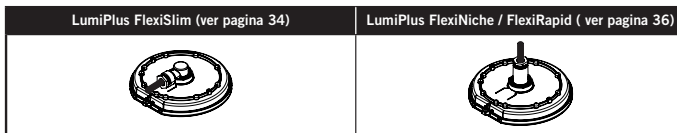
3. INSTALAÇÃO:

- Para iluminar correctamente uma piscina recomenda-se que:
Instalar um LumiPlus Flexi V1 a cada 20 m² de superfície de água.
Instalar um LumiPlus Flexi V2 a cada 25 m² de superfície de água.
- Nota:** Recomendações válidas para piscinas com cores claras. Em piscinas de cores escuras ou de aço inoxidável recomenda-se aumentar a proporção de pontos de luz por m².
- É da responsabilidade do instalador que a zona dos conectores fique perfeitamente estanque.
- As caixas de ligação devem estar pelo menos a 2 m da borda da piscina ou da instalação aquática.
- O transformador de 230/12 V que alimenta LumiPlus Flexi deve estar instalado a uma distância de 3,5 m da borda da piscina ou da instalação aquática.
- As canalizações instaladas a menos de 3,5 m da borda da piscina não podem ter nenhum revestimento nem cobertura metálica.
- A secção mínima de cabo que admite LumiPlus Flexi é de 2x1 mm² H07RN-F.
- A secção máxima de cabo que admite LumiPlus Flexi é de 2x2,5 mm² H07RN-F.
- A secção máxima de cabo compatível com LumiPlus Flexi Nicho e Flexi Rapid é de 2 x 2,5 mm² H07RN-F; no caso do Flexi Slim, a secção máxima de cabo compatível é de 2 x 1,5 mm² H07RN-F.
- Caso a secção de cabo existente seja de 2x4mm² H07RN-F até 2x6mm² H07RN-F, dever-se-á efetuar uma junção subaquática. Para garantir o funcionamento correto do projetor LumiPlus Flexi, recomendamos usar o kit de ligação subaquática código AstralPool 32803.

ATENÇÃO

EM CIRCUNSTÂNCIA ALGUMA SE DEVE UTILIZAR UM PARAFUSO DIFERENTE DO FORNECIDO PARA FIXAR O BUCIM DE LUMIPLUS FLEXI, JÁ QUE PODERIA ATRAVESSÁ-LO E PROVOCAR A ENTRADA DE ÁGUA.

4. MONTAGEM:



Descreve-se a seguir como ligar LumiPlus Flexi com o cabo para garantir a estanquidade na zona de ligações. É importante seguir os seguintes passos:

1. Assegurar-se de que não há tensão elétrica antes de manipular qualquer cabo.
2. Colocar o anel de vedação.
3. Passar o cabo através do conjunto de buçins.
4. Ligar o cabo ao ponto de luz e apertar os dois parafusos.
5. Fixar o buçim ao corpo do projetor, de acordo com a posição marcada. Depois, fixam-se os três parafusos.
6. Tentar que a borracha do cabo fique dentro da zona de ligações. Depois, pode-se apertar o buçim com uma chave 6N.m.
7. Assegurar-se de que o cabo fica bem fixo e não sai do buçim.
8. Uma vez ligado, pode-se proceder à fixação do projetor na piscina (ver manual do embelezador).

5. MANUTENÇÃO:

LumiPlus Flexi não requer qualquer tipo de manutenção. Se não funcionar corretamente, por favor, ponha-se em contacto com o nosso departamento de apoio ao cliente.



É PROIBIDO ACEDER AO INTERIOR DO PONTO DE LUZ, TAL ANULARIA A GARANTIA.

6. CONEXIONADO ELÉTRICO

É muito importante para um funcionamento adequado que LumiPlus Flexi receba os 12 VAC. LumiPlus Flexi é fornecido com um cabo de 2x1 mm² H07RN-F de 2,5 metros. Se o comprimento for insuficiente, o cabo poderá ser substituído (ver pagina. 39). Se substituir ou prolongar o cabo original, é necessário realizar um cálculo de secções específico para cada instalação, com o fim de garantir que os 12 volts chegam a LumiPlus Flexi e evitar quedas de tensão.

6.1. LUMIPLUS FLEXI MONOCOLOR

LumiPlus Flexi Monocolor 12 VAC é ligado diretamente a um transformador de segurança. Não requer qualquer dispositivo de controlo, permitindo apenas ligar e desligar (ver pagina 38).

6.2. LUMIPLUS FLEXI RGB

O controlo de LumiPlus Flexi pode realizar-se através de dois sistemas diferentes: através dum botão normalmente fechado ou, alternativamente, por meio dum modulador e de controlo remoto (opcional).

Em ambos os casos, deve assegurar-se que em circunstância alguma a tensão que o LumiPlus Flexi receba seja superior a 12 VAC.

LumiPlus Flexi só deve funcionar completamente submerso e deve ser fixado nas paredes verticais da piscina. O seu funcionamento fora de água poderia causar danos irreparáveis.

6.2.A. LumiPlus ECO: controlo através do botão

O sistema dispõe de 14 modos de funcionamento: 7 cores fixas e 7 sequências de cores diferentes. Através de cada acionamento curto realiza-se uma mudança de cor ou de sequência. Através de cada acionamento prolongado ilumina-se LumiPlus Flexi com a cor branca.

• *Diagrama das ligações elétricas (ver desenho pagina 38)*

O sistema LumiPlus ECO é composto por LumiPlus Flexi, transformador e botão normalmente fechado (NC). O trans-

formador deverá estar dimensionado para fornecer os VA correspondentes a cada ponto de luz que se ligar (ver tabela na contracapa). Por exemplo, se desejar controlar 3 pontos de luz RGB V1 de 29 VA cada um, deverá ligá-los em paralelo a um transformado de, no mínimo, 100 VA. O botão deverá estar dimensionado para suportar a potência consumida pelo número de pontos de luz da instalação.

• Modos de funcionamento

O conjunto LumiPlus ECO permite criar diversos cenários luminosos no interior da piscina com duas possibilidades de funcionamento:

Cor fixa: Seleção de uma cor fixa entre as sete cores possíveis.

Nº DE COR	COR
1	Branco
2	Vermelho
3	Azul
4	Verde
5	Magenta
6	Ciano
7	Amarelo

Seqüência de cores automática: Seleção dos nove programas de seqüência de cores. Cada programa vem definido pelo tempo de presença de cada cor e pela duração da transição de uma cor para outra, de acordo com a tabela abaixo:

SEQÜÊNCIA	ORDEM DAS CORES					
1	Vermelho	Azul	Verde	Magenta	Ciano	Amarelo
2	Vermelho	Verde	Ciano	Azul	Magenta	Amarelo
3	Magenta	Ciano	Amarelo	-	-	-
4	Vermelho	Azul	Verde	-	-	-
5	Magenta	Ciano	Amarelo	-	-	-
6	Amarelo	Magenta	Ciano	-	-	-
7	Verde	Vermelho	Azul	-	-	-

Cada vez que pressionamos o botão, efetuamos uma mudança de cor ou de seqüência. O ciclo de cores e de seqüências é rotativo. Se temos por exemplo a cor 6, a próxima vez que pressionarmos o botão obteremos a cor 7; se voltarmos a pressionar, obteremos a seqüência 1. Estando na seqüência 7, pressionando novamente o botão, obteremos a cor 2 que corresponde ao vermelho.

A cor 1 corresponde ao branco e pode ser obtida mantendo o botão pressionado alguns segundos.

6.2.B. COLORPLUS TOP: controle através do Modulador e/ou do Telecomando

O sistema dispõe de 20 modos de funcionamento: 12 cores fixas e 8 seqüências de cores diferentes. Através do Modulador podemos acender e apagar os focos, controlar as mudanças de cores e de seqüências e controlar um temporizador de desligamento.

Se dispôr de telecomando, para além de realizar as funções do modulador, o telecomando permite ativar ou desativar a presença das cores que compõem uma seqüência e selecionar o tempo de funcionamento do temporizador.

• Diagrama das ligações elétricas (ver desenho pagina 38)

Para uma instalação correta, será necessário um modulador, um transformador e os LumiPlus Flexi. Opcionalmente, este sistema pode ser controlado pelo controle remoto.

O modulador é ligado à rede elétrica de 230 VAC através dos dois bornes indicados com RED e liga-se ao primário do transformador (230 VAC) através dos bornes indicados com TRF.

O transformador deverá estar dimensionado para fornecer os VA correspondentes a cada LumiPlus Flexi que se ligar (ver tabela na contracapa). Por exemplo, se desejar controlar 3 LumiPlus Flexi RGB V1 de 29 VA cada um, deverá ligá-los em paralelo a um transformado de, no mínimo, 100 VA.

Cada Modulador pode suportar até um máximo de 900VA.

Depois de efetuar a ligação elétrica, siga os passos descritos abaixo para ligá-lo pela primeira vez:

Fornecer alimentação ao conjunto ativando 230 V-ac. na entrada do Modulador para que ele se sintonize de forma automática com o transformador. O LED verde do Modulador piscará em intervalos de 2 segundos e o foco permanecerá apagado.

• Tipos de iluminação

O conjunto **Telecomando – Modulador – Transformador - LumiPlus Flexi** permite criar diversos cenários luminosos no interior da piscina com duas possibilidades de funcionamento:

Cor fixa: Seleção de uma cor fixa entre as doze cores possíveis.

Nº DE COR	COR
1	Vermelho
2	Verde
3	Azul
4	Amarelo
5	Ciano
6	Magenta

Nº DE COR	COR
7	Violeta pálido
8	Cerúleo
9	Laranja
10	Rosa
11	Verde esmeralda
12	Branco

Seqüência de cores automática: Seleção da seqüência de cores entre oito programas. Cada programa vem definido pelo tempo da presença de cada cor e pela duração da transição de uma cor para outra, de acordo com a tabela abaixo:

SEQUÊNCIA			ORDEM DAS CORES																	
1	Vermelho	Verde	Azul																	
2	Ciano	Magenta	Amarillo																	
3	Verde	Verde esmeralda	Ciano	Cerúleo	Azul	Cerúleo	Ciano	Verde esmeralda												
4	Vermelho	Laranja	Verde	Laranja																
5	Vermelho	Rosa	Azul	Rosa																
6	Vermelho	Laranja	Verde	Ciano	Azul	Rosa														
7	Violeta pálido	Magenta	Ciano	Amarillo	Branco	Amarillo	Ciano	Magenta												
8	Vermelho	Verde	Azul	Amarillo	Ciano	Magenta	Violeta pálido	Cerúleo	Laranja	Rosa	Verde esmeralda	Branco								

7. ADVERTENCIAS DE SEGURANZA:

- A luminária deve ser colocada de forma a que não se espere um olhar prolongado para a mesma a uma distância inferior a 2,36 m (isto aplica-se apenas aos módulos LED RGB).
- Se o cabo flexível ou fio desta luminária estiver danificado, deverá ser substituído exclusivamente pelo fabricante, pelo seu serviço técnico ou por uma pessoa com qualificações equivalentes para evitar riscos.
- A fonte de luz desta luminária só deve ser substituída pelo fabricante, pelo seu serviço técnico ou por uma pessoa com qualificações equivalentes.
- As pessoas que se encarreguem da montagem devem ter a qualificação exigida para este tipo de trabalho.
- Dever-se-á evitar entrar em contacto com a tensão elétrica.
- As normas vigentes para a prevenção de acidentes devem ser respeitadas.
- A esse respeito, dever-se-ao cumprir as normas IEC 364-7-702: **INSTALAÇÕES ELÉTRICAS EM EDIFÍCIOS. INSTALAÇÕES ESPECIAIS PISCINAS.**
- Qualquer operação de manutenção ou de substituição de peças deve ser realizada com o projetor desligado da rede.
- Não manipular com os pés molhados.
- LumiPlus Flexi foi pensado **PARA SER UTILIZADO EXCLUSIVAMENTE SUBMERGIDO EM ÁGUA** e criado **PARA FUNCIONAR APENAS COM UM TRANSFORMADOR DE SEGURANÇA.**
- LumiPlus Flexi resiste aos tratamentos de piscina descritos seguidamente sempre que os valores de concentração não superem os seguintes valores:

TIPO DE TRATAMENTO	CONCENTRAÇÃO NA ÁGUA
Cloro	2 mg/l
Bromo	5 mg/l
Eletrólisis do sal (Na Cl)	6 g/l

Atenção: note que o Ph da água da piscina deve estar sempre entre 7,2 e 7,6.

- A alimentação deste tipo de luminárias deve ser realizada com transformadores de segurança, conforme a norma EN 61558 “Segurança de Transformadores, unidades de alimentação e análogos, parte 2-6: Regras particulares para transformadores de segurança para uso geral”.
- A instalação do transformador deve obedecer ao especificado nas “Regras Técnicas de Instalações Elétricas de Baixa Tensão (Portaria nº 949-A/2006, de 11 de Setembro)”, em particular no que respeita à sua parte 7 “Regras para Instalações e Locais Especiais”.

ΣΗΜΑΝΤΙΚΟ: Το εγχειρίδιο οδηγιών που έχετε στα χέρια σας περιλαμβάνει σημαντικές πληροφορίες σχετικά με τα μέτρα ασφαλείας που πρέπει να υλοποιηθούν για την εγκατάσταση και τη θέση σε λειτουργία. Συνεπώς, τόσο ο τεχνικός εγκατάστασης όσο και ο χρήστης πρέπει να μελετήσουν τις οδηγίες αυτές πριν ξεκινήσουν την εγκατάσταση και πριν θέσουν σε λειτουργία τον εξοπλισμό. Φυλάξτε αυτό το εγχειρίδιο για να μπορείτε να το συμβουλευέστε στο μέλλον.

Για την επίτευξη της βέλτιστης απόδοσης του LumiPlus Flexi, ακολουθήστε τις παρακάτω οδηγίες:

1. ΕΠΑΛΘΕΥΣΤΕ ΤΑ ΠΕΡΙΕΧΟΜΕΝΑ ΤΗΣ ΣΥΣΚΕΥΑΣΙΑΣ:

- LumiPlus Flexi.
- Σάκος εξαρτημάτων: Στυτιοθλιπτής καλωδίου FlexiNiche, Στυτιοθλιπτής καλωδίου FlexiRapid, 1 δακτύλιος στεγανοποίησης, 1 στεγανωτικό παρέμβυσμα κυκλικής διατομής, φλάντζα, καλώδιο και κοχλίες στερέωσης (1 για το βίδωμα του προβολέα στην πρόσθια όψη + 3 για το βίδωμα του στυτιοθλιπτή καλωδίου).
- Βιβλιάριο εγγύησης.
- Εγχειρίδιο οδηγιών.

ΔΙΑΘΕΣΙΜΑ ΜΟΝΤΕΛΑ ΣΥΜΦΩΝΑ ΜΕ ΤΑ ΧΑΡΑΚΤΗΡΙΣΤΙΚΑ

LumiPlus Flexi V1		LumiPlus Flexi V2	
Μονόχρωμο	RGB	Μονόχρωμο	RGB
71200	71203	71233	71204
71200WW		71233WW	

Τα μοντέλα 71200, 71200WW, 71233 και 71233WW δεν χρειάζονται έλεγχο, καθώς εκπέμπουν μονόχρωμο φως μόνο. Τα μοντέλα 71203 και 71204 χρειάζονται έλεγχο για την αλλαγή χρώματος και τον έλεγχο των αλληλουχιών.

2. ΓΕΝΙΚΑ ΧΑΡΑΚΤΗΡΙΣΤΙΚΑ:

Το LumiPlus Flexi έχει σχεδιαστεί για χρήση πλήρως βυθισμένο κάτω από την επιφάνεια του νερού. Πρόκειται για μια ηλεκτρική διάταξη Κλάσης III με πολύ χαμηλή τάση ασφαλείας (**12 V με εναλλασσόμενο ρεύμα**). Το LumiPlus Flexi εμπίπτει στην Κλάση 116 κατά το πρότυπο EN 50065.

Το LumiPlus Flexi συμμορφώνεται με το IPX8 - 2 m.

Το LumiPlus Flexi συμμορφώνεται με τα διεθνή πρότυπα ασφαλείας για τους προβολείς και ειδικότερα με το πρότυπο EN 60598-2-18: ΠΡΟΒΟΛΕΙΣ ΜΕΡΟΣ 2: ΕΙΔΙΚΕΣ ΑΠΑΙΤΗΣΕΙΣ ΕΝΟΤΗΤΑΣ 18: ΦΩΤΙΣΤΙΚΑ ΣΩΜΑΤΑ ΓΙΑ ΠΙΣΙΝΕΣ ΚΑΙ ΠΑΡΟΜΟΙΕΣ ΕΦΑΡΜΟΓΕΣ. Ο κατασκευαστής δεν δύναται να καταστεί υπεύθυνος σε καμία περίπτωση για τη συναρμολόγηση, εγκατάσταση ή θέση σε λειτουργία οποιουδήποτε ηλεκτρικού εξαρτήματος, το οποίο έχει εισαχθεί ή υποβληθεί σε επεξεργασία σε τοποθεσία εκτός των εγκαταστάσεών του.

3. ΕΓΚΑΤΑΣΤΑΣΗ:

- Για να φωτίσετε σωστά μια πισίνα συνιστούμε τα εξής:

Να εγκαταστήσετε ένα LumiPlus Flexi V1 για κάθε 20 m² επιφάνειας νερού.

Να εγκαταστήσετε ένα LumiPlus Flexi V2 για κάθε 25 m² επιφάνειας νερού.

Σημείωση: Συνιστάται ιδιαίτερα για πισίνες ανοιχτού χρώματος. Σε πισίνες με σκούρο φινιρίσμα ή φινιρίσμα ανοξείδωτο χάλυβα, συνιστάται η χρήση περισσότερων προβολέων ανά m².

Ο τεχνικός εγκατάστασης είναι υπεύθυνος για να διασφαλίσει ότι η περιοχή γύρω από τους συνδέσμους είναι απολύτως υδατοστεγής.

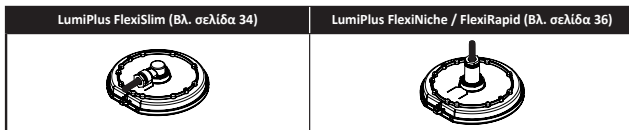
- Τα κίβωπα συνδέσεων πρέπει να τοποθετούνται τουλάχιστον 2 m από την άκρη της πισίνας ή της εγκατάστασης νερού.
- Ο μετασχηματιστής 230/12 V που τροφοδοτεί το LumiPlus Flexi πρέπει να εγκατασταθεί σε απόσταση 3,5 m από την άκρη της πισίνας ή της εγκατάστασης νερού.
- Οι αγωγοί καλωδίων που τοποθετούνται σε απόσταση μικρότερη των 3,5 m από την άκρη της πισίνας, πρέπει να είναι κατασκευασμένοι από μέταλλο.
- Η μικρότερη κατακόρυφη διατομή καλωδίου που μπορεί να χρησιμοποιηθεί με το LumiPlus Flexi είναι 2 x 1 mm² H07RN-F.
- Η μεγαλύτερη κατακόρυφη διατομή καλωδίου που μπορεί να χρησιμοποιηθεί με το LumiPlus Flexi είναι 2 x 2,5 mm² H07RN-F.
- Το μεγαλύτερο καλώδιο που μπορεί να χρησιμοποιηθεί για τους προβολείς LumiPlus Flexi Niche και Flexi Rapid είναι ένα H07RN-F με διατομή 2 x 2,5 mm², ενώ στην περίπτωση των προβολέων Flexi Slim, το μεγαλύτερο καλώδιο που μπορεί να χρησιμοποιηθεί είναι ένα H07RN-F με διατομή 2 x 1,5 mm².

- Σε περίπτωση που το καλώδιο H07RN-F έχει κατακόρυφη διατομή 2 x 4 mm² ή 2 x 6 mm², πρέπει να πραγματοποιηθεί υποβρύχια συγκόλληση. Για να διασφαλιστεί η ορθή λειτουργία του προβολέα LumiPlus Flexi, συνιστούμε τη χρήση του κτ υποβρύχιας σύνδεσης της AstralPool (κωδικός 32803).

ΠΡΟΣΟΧΗ

ΔΕΝ ΠΡΕΠΕΙ ΣΕ ΚΑΜΙΑ ΠΕΡΙΠΤΩΣΗ ΝΑ ΧΡΗΣΙΜΟΠΟΙΗΘΟΥΝ ΔΙΑΦΟΡΕΤΙΚΟΙ ΚΟΧΛΙΕΣ ΑΠΟ ΑΥΤΟΥΣ ΠΟΥ ΠΑΡΕΧΟΝΤΑΙ ΓΙΑ ΤΟ ΒΙΔΩΜΑ ΤΟΥ ΣΤΥΠΙΟΘΛΙΠΤΗ ΚΑΛΩΔΙΟΥ ΤΟΥ LUMIPLUS FLEXI, ΚΑΘΩΣ ΥΠΑΡΧΕΙ ΚΙΝΔΥΝΟΣ ΦΘΟΡΑΣ ΤΟΥ ΕΞΑΡΤΗΜΑΤΟΣ ΚΑΙ ΕΙΣΧΩΡΗΣΗΣ ΝΕΡΟΥ ΣΤΟ ΕΣΩΤΕΡΙΚΟ ΤΟΥ.

4. ΣΥΝΑΡΜΟΛΟΓΗΣΗ:



Ακολουθεί μια περιγραφή του τρόπου σύνδεσης του LumiPlus Flexi στο καλώδιο για τη διασφάλιση της υδατοστεγανότητας στο σημείο της σύνδεσης. Είναι σημαντικό να ακολουθήσετε τα παρακάτω βήματα:

1. Βεβαιωθείτε ότι δεν υπάρχει τάση πριν χειριστείτε οποιοδήποτε καλώδιο.
2. Τοποθετήστε το στεγανωτικό παρέμβυσμα κυκλικής διατομής στη θέση του.
3. Περάστε το καλώδιο μέσα από το περικόχλιο του καλύμματος στυπιοθλίπτη του καλωδίου.
4. Συνδέστε το καλώδιο στον προβολέα και σφίξτε τους δύο κοχλίες.
5. Τοποθετήστε τον στυπιοθλίπτη καλωδίου στο σώμα του προβολέα, σύμφωνα με την εικόνα. Στη συνέχεια, βιδώστε τους τρεις κοχλίες.
6. Βεβαιωθείτε ότι το χιτώνιο του καλωδίου παραμένει στη θέση του στο σημείο της σύνδεσης και κατόπιν σφίξτε τον στυπιοθλίπτη καλωδίου χρησιμοποιώντας ένα κλειδί (6 N.m).
7. Βεβαιωθείτε ότι το καλώδιο έχει σφίξει με δύναμη, ούτως ώστε να μην είναι χαλαρό σε σχέση με τον στυπιοθλίπτη.
8. Μόλις ολοκληρωθεί η σύνδεση, ο προβολέας μπορεί να τοποθετηθεί στην πισίνα (βλ. εγχειρίδιο πρόσθιας όψης).

5. ΣΥΝΤΗΡΗΣΗ:

Το LumiPlus Flexi δεν χρειάζεται συντήρηση. Εάν διαπιστώσετε ότι ο προβολέας δεν λειτουργεί κανονικά, επικοινωνήστε με το τμήμα εξυπηρέτησης πελατών μας.

⚠ ΜΗΝ ΕΠΙΧΕΙΡΗΣΕΤΕ ΝΑ ΧΕΙΡΙΣΤΕΙΤΕ ΤΑ ΕΣΩΤΕΡΙΚΑ ΕΞΑΡΤΗΜΑΤΑ ΤΟΥ ΠΡΟΒΟΛΕΑ, ΚΑΘΩΣ ΑΥΤΟ ΘΑ ΑΚΥΡΩΣΕΙ ΤΗΝ ΕΓΓΥΗΤΗ ΤΟΥ ΠΡΟΪΟΤΟΣ.

6. ΗΛΕΚΤΡΙΚΗ ΣΥΝΔΕΣΗ

Για να λειτουργήσει σωστά το LumiPlus Flexi, θα πρέπει να τροφοδοτείται με 12 V AC. Το LumiPlus Flexi παρέχεται με καλώδιο H07RN-F 2,5 μέτρων, 2 x 1 mm². Σε περίπτωση που το μήκος του δεν αρκεί, μπορείτε να το αντικαταστήσετε με άλλο καλώδιο (βλ. σελίδα 39). Σε περίπτωση αντικατάστασης ή προέκτασης του αρχικού καλωδίου, πρέπει να υπολογιστούν οι κατακόρυφες διατομές για κάθε εγκατάσταση, για να διασφαλιστεί ότι το LumiPlus Flexi τροφοδοτείται με 12-volt και για την αποφυγή των πτώσεων τάσης.

6.1. ΜΟΝΟΧΡΩΜΟ LUMIPLUS FLEXI

Το μονόχρωμο LumiPlus Flexi 12 V AC συνδέεται απευθείας σε μετασχηματιστή ασφαλείας. Δεν χρειάζεται κάποια συσκευή ελέγχου. Μπορεί να χρησιμοποιηθεί μόνο για την ενεργοποίηση και απενεργοποίηση του προβολέα (βλ. σελίδα 38).

6.2. RGB LUMIPLUS FLEXI

Το LumiPlus Flexi μπορεί να ελεγχθεί χρησιμοποιώντας δύο διαφορετικά συστήματα: ένα κουμπί, το οποίο είναι συνήθως σε θέση απενεργοποίησης, ή έναν διαμορφωτή και τηλεχειριστήριο (προαιρετικό).

Και στις δύο περιπτώσεις, βεβαιωθείτε ότι η τροφοδοσία ρεύματος προς το LumiPlus Flexi δεν υπερβαίνει ποτέ τα 12 V AC.

Το LumiPlus Flexi πρέπει να λειτουργεί μόνο πλήρως βυθισμένο και προσαρμοσμένο στα κατακόρυφα τοιχώματα μιας πισίνας. Η χρήση του εκτός νερού μπορεί να προκαλέσει ανεπανόρθωτες βλάβες.

6.2.A. LumiPlus ECO: έλεγχος με κουμπί

Το σύστημα διαθέτει 14 καταστάσεις λειτουργίας: 7 σταθερά χρώματα και 7 διαφορετικές αλληλουχίες χρωμάτων. Κάθε φορά

που πιέζετε το κουμπί, αλλάζει το χρώμα ή η αλληλουχία. Εάν το πατήσετε για αρκετά δευτερόλεπτα, το LumiPlus Flexi εκπέμπει λευκό φως.

• Διάγραμμα καλωδίωσης (βλ. σελίδα 38)

Το σύστημα LumiPlus ECO αποτελείται από το LumiPlus ECO, έναν μετασχηματιστή και ένα κουμπί, το οποίο είναι συνήθως σε θέση απενεργοποίησης (NC). Ο μετασχηματιστής πρέπει να έχει το κατάλληλο μέγεθος ώστε να τροφοδοτεί με τα αντίστοιχα VA κάθε προβολέα που είναι συνδεδεμένος με αυτόν (βλ. τον πίνακα στο οπισθοφύλλο). Για παράδειγμα, εάν θέλετε να ελέγξετε δύο προβολείς 29 VA RGB V1, θα πρέπει να τους καλωδίωσετε παράλληλα σε έναν μετασχηματιστή τουλάχιστον 100 VA. Το κουμπί πρέπει να έχει το κατάλληλο μέγεθος ώστε να αντέχει την ισχύ που καταναλώνεται από τον αριθμό των προβολέων σε μια εγκατάσταση.

• Καταστάσεις λειτουργίας

Η μονάδα LumiPlus ECO επιτρέπει τη δημιουργία μιας σειράς από διαφορετικά περιβάλλοντα φωτισμού στο εσωτερικό της πισίνας, με δύο καταστάσεις λειτουργίας:

Σταθερό χρώμα: Επιλογή ενός σταθερού χρώματος ανάμεσα σε επτά εναλλακτικές.

Αρ. ΧΡΩΜΑΤΟΣ	ΧΡΩΜΑ
1	Λευκό
2	Κόκκινο
3	Μπλε
4	Πράσινο
5	Ματζέντα
6	Κυανό
7	Κίτρινο

Αυτόματη αλληλουχία χρωμάτων: Επιλογή ανάμεσα σε επτά προγράμματα αλληλουχίας χρωμάτων. Κάθε πρόγραμμα καθορίζεται από τη διάρκεια κάθε χρώματος και από τη μετάβαση από το ένα χρώμα στο άλλο, σύμφωνα με τον ακόλουθο πίνακα:

ΑΛΛΗΛΟΥΧΙΑ	ΣΕΙΡΑ ΧΡΩΜΑΤΩΝ					
1	Κόκκινο	Μπλε	Πράσινο	Ματζέντα	Κυανό	Κίτρινο
2	Κόκκινο	Πράσινο	Κυανό	Μπλε	Ματζέντα	Κίτρινο
3	Ματζέντα	Κυανό	Κίτρινο	-	-	-
4	Κόκκινο	Μπλε	Πράσινο	-	-	-
5	Ματζέντα	Κυανό	Κίτρινο	-	-	-
6	Κίτρινο	Ματζέντα	Κυανό	-	-	-
7	Πράσινο	Κόκκινο	Μπλε	-	-	-

Το χρώμα της αλληλουχίας αλλάζει πατώντας το κουμπί. Τα χρώματα και οι αλληλουχίες αλλάζουν περιστροφικά. Για παράδειγμα, εάν βρίσκαστε στο χρώμα 5, πατώντας το κουμπί μία φορά θα μεταβείτε στο χρώμα 6. Εάν το πατήσετε άλλη μία φορά, θα μεταβείτε στην αλληλουχία 7. Εάν βρίσκαστε στην αλληλουχία 7, πατώντας το κουμπί μία φορά θα μεταβείτε στο χρώμα 2, το οποίο είναι το Κόκκινο.

Η μετάβαση στο Χρώμα 1, το οποίο αντιστοιχεί στο λευκό, γίνεται με ένα παρατεταμένο πάτημα.

6.2.B. LumiPlus TOP: Έλεγχος με διαμορφωτή ή/και τηλεχειριστήριο

Το σύστημα διαθέτει 20 καταστάσεις λειτουργίας: 12 σταθερά χρώματα και 8 αλληλουχίες διαφορετικών χρωμάτων. Ο διαμορφωτής ελέγχει την ενεργοποίηση και απενεργοποίηση του LumiPlus Flexi, τις αλλαγές χρωμάτων και αλληλουχιών, καθώς και τον χρονισμό των αλλαγών αυτών. Εάν διαθέτετε τηλεχειριστήριο, εκτός από τις λειτουργίες του διαμορφωτή, μπορείτε επίσης να ενεργοποιήσετε ή να απενεργοποιήσετε χρώματα σε μια αλληλουχία και να επιλέξετε τον χρόνο απενεργοποίησης.

• Διάγραμμα ηλεκτρικής σύνδεσης (βλ. σελίδα 39 του διαγράμματος)

Για να λειτουργήσει σωστά μια εγκατάσταση, απαιτείται ο διαμορφωτής, ο μετασχηματιστής και οι προβολείς LED. Πραγματικά, το σύστημα αυτό μπορεί να ελεγχθεί μέσω τηλεχειριστηρίου.

Ο διαμορφωτής πρέπει συνδεθεί σε τροφοδοσία ρεύματος 230 V AC μέσω των δύο ακροδεκτών με τη σήμανση RED και στις πρωτεύουσες περιελίξεις του μετασχηματιστή (230 V AC) μέσω των ακροδεκτών με τη σήμανση TRF.

Ο μετασχηματιστής πρέπει να έχει το κατάλληλο μέγεθος ώστε να τροφοδοτεί με τα αντίστοιχα VA κάθε LumiPlus που είναι συνδεδεμένο με αυτόν (βλ. τον πίνακα στο οπισθοφύλλο). Για παράδειγμα, εάν θέλετε να ελέγξετε τρεις προβολείς 29 VA RGB V1, θα πρέπει να τους καλωδίωσετε παράλληλα σε έναν μετασχηματιστή τουλάχιστον 100 VA.

Κάθε διαμορφωτής μπορεί να υποστηρίξει έως και 900 VA.

Μόλις συνδεθεί η μονάδα, προχωρήστε ως εξής για να θέσετε σε λειτουργία τον προβολέα για πρώτη φορά:

Ανάψτε τη μονάδα ενεργοποιώντας το 230 V~ac στην είσοδο του διαμορφωτή, ο οποίος θα συντονιστεί αυτόματα με τον

μετασχηματιστή. Η πράσινη ενδεικτική λυχνία LED του διαμορφωτή θα αναβοσβήνει κάθε 2 δευτερόλεπτα και το LumiPlus Flexi θα παραμένει απενεργοποιημένο.

• Τύποι φωτισμού

Η μονάδα Τηλεχειριστήριο – Διαμορφωτή – Μετασχηματιστή – LumiPlus Flexi σας δίνει τη δυνατότητα να δημιουργήσετε διαφορετικά περιβάλλοντα φωτισμού στο εσωτερικό της πισίνας, με δύο καταστάσεις λειτουργίας:

Σταθερό χρώμα: Επιλογή σταθερού χρώματος ανάμεσα σε δώδεκα εναλλακτικές.

Αρ. ΧΡΩΜΑΤΟΣ	ΧΡΩΜΑ
1	Κόκκινο
2	Πράσινο
3	Μπλε
4	Κίτρινο
5	Κυανό
6	Ματζέντα

Αρ. ΧΡΩΜΑΤΟΣ	ΧΡΩΜΑ
7	Ανοιχτό μωβ
8	Γαλάζιο
9	Πορτοκαλί
10	Ροζ
11	Σμαραγδοπράσινο
12	Λευκό

Αυτόματη αλληλουχία χρωμάτων: Επιλογή ανάμεσα σε οκτώ προγράμματα αλληλουχίας χρωμάτων. Κάθε πρόγραμμα καθορίζεται από τη διάρκεια φωτισμού κάθε χρώματος και από τον χρόνο μετάβασης από το ένα χρώμα στο άλλο, σύμφωνα με τον ακόλουθο πίνακα:

ΑΛΛΗΛΟΥΧΙΑ			ΣΕΙΡΑ ΧΡΩΜΑΤΩΝ															
1	Κόκκινο	Πράσινο	Μπλε															
2	Κυανό	Ματζέντα	Κίτρινο															
3	Πράσινο	Σμαραγδοπράσινο	Κυανό	Γαλάζιο														
4	Κόκκινο	Πορτοκαλί	Πράσινο	Πορτοκαλί														
5	Κόκκινο	Ροζ	Μπλε	Ροζ														
6	Κόκκινο	Πορτοκαλί	Πράσινο	Κυανό	Μπλε	Ροζ												
7	Ανοιχτό μωβ	Ματζέντα	Κυανό	Κίτρινο	Λευκό	Κίτρινο	Κυανό	Ματζέντα										
8	Κόκκινο	Πράσινο	Μπλε	Κίτρινο	Κυανό	Ματζέντα	Ανοιχτό μωβ	Γαλάζιο	Πορτοκαλί	Ροζ	Σμαραγδοπράσινο	Λευκό						

7. ΠΡΟΕΙΔΟΠΟΙΗΣΕΙΣ ΑΣΦΑΛΕΙΑΣ:

- Το φωτιστικό σώμα πρέπει να τοποθετηθεί με τέτοιο τρόπο ώστε να μην είναι δυνατό να κοιτάξει κανείς απευθείας πάνω του σε απόσταση μικρότερη των 2,36 m (μόνο στην περίπτωση των μοντέλων RGB LED).
- Σε περίπτωση φθοράς του καλωδίου ή της συρμάτωσης αυτού του φωτιστικού σώματος, η αντικατάσταση μπορεί να γίνει μόνο από τον κατασκευαστή, έναν από τους τεχνικούς σέρβις του ή ένα άτομο με παρόμοια προσόντα, για την αποφυγή των πιθανών κινδύνων.
- Η πηγή φωτισμού αυτού του φωτιστικού σώματος μπορεί να αντικατασταθεί μόνο από τον κατασκευαστή, έναν από τους τεχνικούς σέρβις του ή ένα άτομο με παρόμοια προσόντα, για την αποφυγή των πιθανών κινδύνων.
- Αποφύγετε την επαφή με την ηλεκτρική τάση.
- Φροντίστε να τηρείτε τα ισχύοντα πρότυπα όσον αφορά την πρόληψη των ατυχημάτων.
- Συγκεκριμένα, πρέπει να τηρούνται τα πρότυπα IEC 364-7-702: ΚΑΛΩΔΙΩΣΕΙΣ ΣΕ ΚΤΙΡΙΑ, ΕΙΔΙΚΕΣ ΚΑΛΩΔΙΩΣΕΙΣ, ΠΙΣΙΝΕΣ.
- Όλες οι εργασίες συντήρησης πρέπει να πραγματοποιούνται με τον LumiPlus Flexi αποσυνδεδεμένο από το σύστημα τροφοδοσίας ρεύματος.
- Μη χειρίζεστε τα εξαρτήματα με βρεγμένα πόδια.
- Το LumiPlus Flexi είναι σχεδιασμένο ΜΟΝΟ ΓΙΑ ΥΠΟΒΥΘΙΑ ΧΡΗΣΗ και μπορεί να ΛΕΙΤΟΥΡΓΗΣΕΙ ΜΟΝΟ ΜΕ ΜΕΤΑΣΧΗΜΑΤΙΣΤΗ ΑΣΦΑΛΕΙΑΣ.
- Το LumiPlus Flexi είναι ανθεκτικό στα προϊόντα επεξεργασίας υδάτων πισίνας που περιγράφονται παρακάτω, με την προϋπόθεση ότι οι τιμές συγκέντρωσης δεν υπερβαίνουν τα ακόλουθα επίπεδα:

ΤΥΠΟΣ ΠΡΟΪΝΤΟΣ ΕΠΕΞΕΡΓΑΣΙΑΣ	ΣΥΓΚΕΝΤΡΩΣΗ ΣΤΟ ΝΕΡΟ
Χλώριο	2 mg/l
Βρώμιο	5 mg/l
Ηλεκτρόλυση αλάτων (Na Cl)	6 g/l

Προσοχή: Να σημειωθεί ότι το pH των υδάτων της πισίνας πρέπει να είναι πάντα από 7,2 έως 7,6.

معلومات مهمة: يتضمن دليل الإرشادات الذي بين يديك المعلومات المهمة بشأن تدابير السلامة الواجب تنفيذها لأغراض التركيب والاستخدام. وذلك، يجب أن يقرأ القارئ بالتركيب وكذلك المستخدم هذه الإرشادات قبل الشروع في التركيب والاستخدام.
الرجاء الاحتفاظ بهذا الدليل للرجوع إليه في المستقبل.

الحصول على الأداء المثالي للضوء الكشاف LumiPlus Flexi، ينبغي اتباع الإرشادات الواردة في المطور التالية:

1. التحقق من محتويات الصندوق:

- الضوء الكشاف LumiPlus Flexi.
- حقيبة الملحقات: عروة ربط كبلات FlexiNiche، عروة ربط كبلات FlexiRapid، مانع تسرب واحد، حلقة دائرية واحدة مانعة للتسرب، حشية، براغي الكبلات والتركيب (1 لتثبيت الضوء الكشاف على غطاء الحماية + 3 براغي لتثبيت عروة ربط الكبلات).
- كتيب الضمان.
- دليل الإرشادات.

الطرز المتوفرة طبقاً للمواصفات

الضوء الكشاف LumiPlus Flexi V2		الضوء الكشاف LumiPlus Flexi V1	
الأحمر والأخضر والأزرق	اللون الأحادي	الأحمر والأخضر والأزرق	اللون الأحادي
71204	71233 71233WW	71203	71200 71200WW

لا يتعين استخدام أدوات تحكم نظُر الضوء الكشاف 71200 و 71200WW و 71233 و 71233WW لأنها تشع بضوء أحادي اللون فقط. يتعين استخدام أدوات تحكم للطرزين 71203 و 71204 لتغيير اللون والتسلسلات.

2. المواصفات العامة:

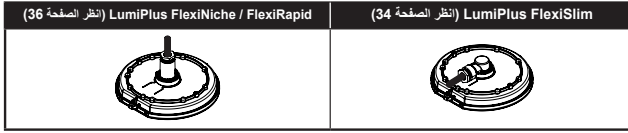
تم تصميم الضوء الكشاف LumiPlus Flexi للاستخدام بالخمر الكامل في الماء. وهو جهاز كهربائي من الفئة الثالثة ويعمل بفولتية آمنة منخفضة للغاية (12 فولت التيار المتردد). الضوء الكشاف LumiPlus Flexi من الفئة 116 طبقاً للمعيار EN 50065. يتوافق الضوء الكشاف LumiPlus Flexi مع معيار IPX8 - متران.
يتوافق الضوء الكشاف LumiPlus Flexi مع معايير السلامة الدولية للأضواء، لا سيما المعيار EN 60598-2:18 الأضواء الجيب الثاني: قسم المتطلبات المحددة لـ 14 الأضواء المخصصة للمسبح (حمامات السباحة) والاستخدامات المماثلة.
لا تتحمل الشركة المصنعة المسؤولية بأي حال من الأحوال عن تجميع أو تركيب أو تشغيل أي مكونات كهربائية تم إدخالها أو التعامل معها في مواقع غير منشأتها الخاصة.

3. التركيب:

- للإضاءة الصحيحة للمسبح (حمام السباحة)، توصيك بما يلي:
- تركيب الضوء الكشاف LumiPlus Flexi V1 في كل 20 مترًا مربعًا من سطح الماء.
- تركيب الضوء الكشاف LumiPlus Flexi V2 في كل 25 مترًا مربعًا من سطح الماء.
- ملاحظة: يوصى باستخدامه بشدة للمساح ذات الألوان الفاتحة. وبالنسبة للمساح ذات الطبقة الخارجية القاتمة أو المصنوعة من الاستانلس ستيل، يوصى باستخدام المزيد من الأضواء الكاشفة لكل متر مربع.
- يتحمل القارئ بالتركيب المسؤولية عن ضمان العزل التام للمنطقة المحيطة بالموصلات.
- ينبغي أن تكون هناك مسافة قدرها متران (2) على الأقل من صناديق التوصيلات إلى حافة المسبح أو مرفق المياه.
- يجب تركيب محول 230/12 فولت الذي يذخي الضوء الكشاف LumiPlus Flexi على مسافة 3.5 متر من حافة المسبح أو مرفق المياه.
- لا يجب أن تكون قنوات الكبلات الموجودة على مسافة أقل من 3.5 متر من حافة المسبح مصنوعة من المعدن.
- أقل مقطع عرضي للكبل ملائم للضوء الكشاف LumiPlus Flexi هو 2 × 1 H07RN-F 1 ملليمتر مربع.
- أكبر مقطع عرضي للكبل ملائم للضوء الكشاف LumiPlus Flexi هو 2 × 2.5 H07RN-F 2.5 ملليمتر مربع.
- صمّم نظام LumiPlus Flexi للاستخدام تحت الماء فقط، وقد يتم تشغيله فقط باستخدام محول آمن.
- إذا كان المقطع العرضي لكبل H07RN-F الحالي هو 2 × 4 ملليمتر مربع أو 2 × 6 ملليمتر مربع، فيجب إنشاء وصلة تراكبية تحت الماء. لضمان عمل عارضض LumiPlus Flexi على نحو صحيح، نوصي باستخدام طقم وصلات As trailPool تحت الماء (الرمز 32803).

تنبيه

لا يجب بأي حال من الأحوال استخدام براغي بخلاف تلك المتوفرة مع الضوء الكشاف لتثبيت عروة ربط الكبلات الخاصة بضوء LUMIPLUS FLEXI الكشاف حيث إن هذا قد يتسبب في تقيده وتنتج عن تسرب الماء إليه.



فيما يلي وصف لكيفية توصيل LumiPlus Flexi بالكبل لضمان عزل منطقة التوصيل عن الماء. يجب اتباع الخطوات التالية:

1. تأكد من عدم وجود فولتية كهربائية قبل التعامل مع أي كبل.
2. ركب الحلقة الدائرية المانعة للتسرب في مكانها.
3. اسلك الكبل عبر صامولة عزل عروة ربط الكيبلات.
4. وصل الكبل بالضوء الكشاف واربط البرغيين بالكبلات.
5. ركب عروة ربط الكيبلات على هيكل العارض على النحو المبين. ثم اربط البراغي الثلاثة.
6. تأكد من ثبات غلاف الكبل في موضعه في منطقة التوصيل ثم اربط عروة ربط الكيبلات بإحكام باستخدام مفتاح ربط (6 نيوتن متر).
7. تأكد من ربط الكبل بإحكام حتى لا يرتخي ويفصل عن عروة ربط الكيبلات.
8. بمجرد توصيل العارض، يمكن تركيب الضوء الكشاف في المسبح (راجع دليل غطاء الحماية).

5. الصيانة:

لا يتطلب الضوء الكشاف LumiPlus Flexi أي صيانة. فإذا لوحظ أنه لا يعمل بطريقة صحيحة فيرجى الاتصال بقسم خدمة العملاء.

⚠ لا تحاول التعامل مع الجزء الداخلي من الضوء الكشاف إذ إن من شأن ذلك إلغاء صلاحية الضمان.

6. التوصيل الكهربائي

حتى يعمل الضوء الكشاف LumiPlus Flexi على نحو صحيح، يجب توصيله بمصدر تيار كهربائي 12 فولت تيار متردد. يأتي LumiPlus Flexi مرفقاً بكبل بطول 2.5 متر 1×2 مليمتر مربع H07RN-F. إذا كان الكبل قصيراً للغاية، فيمكن استبداله بكبل آخر (انظر الصفحة 11). إذا اقتضت الضرورة استبدال الكبل الأصلي أو تميده، فيجب إجراء عملية حساسية خاصة للمقاطع العرضية لكل تركيب لضمان وصول إمداد تيار كهربائي 12 فولت تيار متردد إلى الضوء الكشاف LumiPlus Flexi وللحيلولة دون هبوط الفولتية.

1.6 LUMIPLUS FLEXI أحادي اللون

يتصل الضوء الكشاف LumiPlus Flexi أحادي اللون 12 فولت تيار متردد مباشرةً بمحول أمان. وهو لا يتطلب أي نوع من أنواع أجهزة التحكم. ويمكن استخدام فقط لتشغيل العارض وإيقاف تشغيله (انظر الصفحة 38).

2.6 LUMIPLUS FLEXI الأحمر والأخضر والأزرق

يمكن التحكم في LumiPlus Flexi باستخدام نظامين مختلفين: زر ضاغط يكون غالباً في وضع إيقاف التشغيل، أو مضمن ووحدة تحكم عن بُعد (اختياري).

في كلتا الحالتين، تأكد من عدم تجاوز إمداد التيار الكهربائي للضوء الكشاف LumiPlus Flexi أبداً فولتية 12 فولت تيار متردد.

يجب تشغيل LumiPlus Flexi فقط أثناء غمره بالكامل وتركيبه على الجدران العمودية للمسبح. وقد يؤدي تشغيله خارج الماء إلى حدوث تلف لا يمكن إصلاحه.

2.6 LumiPlus ECO: التحكم بالزر الضاغط

النظام مجهز بعدد 14 وضع تشغيل: 7 ألوان ثابتة وتسلسل 7 ألوان مختلفة. عند الضغط على الزر الضاغط كل مرة، يتغير اللون أو التسلسل. وعند الضغط عليه عدة ثوانٍ، فإن LumiPlus Flexi يصدر ضوءاً أبيضاً.

• مخطط التوصيلات (انظر الصفحة 38)

يتكون نظام LumiPlus ECO من LumiPlus Flexi، ومحول زر ضاغط يكون دوماً في وضع إيقاف التشغيل (NC). ويجب أن يكون المحول بالبحم الصحيح لإمداد كل ضوء كشاف متصل بالفولتية المتوافقة للتيار المتردد (انظر الجدول على الغلاف الخلفي). على سبيل المثال، إذا كنت ترغب في التحكم في ضوءين كشافين 29 VA RGB V1 12، فيجب توصيلهما على التوالي بمحول VA 100 على الأقل. ويجب أن يكون الزر الضاغط بالبحم الصحيح لتحمل الطاقة التي يستهلكها عدد الأضواء الكشافة في المرفق.

• أوضاع التشغيل

يتيح مصباح LumiPlus ECO إنشاء سيناريوهات (حالات) إضاءة مختلفة داخل المسبح مع قدرتي تشغيل:

اللون المحدد: اختيار لون محدد واحد من سبعة ألوان ممكنة.

رقم اللون	اللون
1	أبيض
2	أحمر
3	أزرق
4	أخضر
5	ماغينيتا (أحمر مزرق)
6	أزرق مخضر
7	أصفر

تسلسل الألوان الأوتوماتيكي: الاختيار من بين سبعة برامج لتسلسلات الألوان. ويحدد كل برنامج بمدة كل لون والانتقال من لون إلى آخر، وفقاً للجدول التالي:

التسلسل	أحمر	أزرق	أخضر	ماغينيتا (أحمر مزرق)	أزرق مخضر	أصفر
1	أحمر	أخضر	أزرق مخضر	أزرق	ماغينيتا (أحمر مزرق)	أصفر
2	أحمر	أخضر	أزرق مخضر	أزرق	ماغينيتا (أحمر مزرق)	أصفر
3	ماغينيتا (أحمر مزرق)	أزرق مخضر	أصفر	-	-	-
4	أحمر	أزرق	أخضر	-	-	-
5	ماغينيتا (أحمر مزرق)	أزرق مخضر	أصفر	-	-	-
6	أصفر	ماغينيتا (أحمر مزرق)	أزرق مخضر	-	-	-
7	أخضر	أحمر	أزرق	-	-	-

يتغير اللون أو التسلسل بالضغط على الزر الضاغط. وتعمل دورة اللون والتسلسل بطريقة متتابعة. فعلى سبيل المثال، إذا كان الضبط على اللون رقم 5 ينتقل المصباح إلى اللون رقم 6 بالضغط لمرة واحدة. وإذا تم الضغط مرة أخرى ينتقل إلى التسلسل رقم 7. وإذا كان المصباح في التسلسل رقم 7 فإنه ينتقل إلى اللون (الأحمر) رقم 2 بالضغط على الزر مرة واحدة. واللون رقم 1 هو اللون الأبيض، ونصل إليه بضغطه واحدة طويلة.

2.2.6 ب. LumiPlus TOP: التحكم بمضمن و/أو جهاز تحكم عن بُعد (ريموت)

النظام مجهز بعدد 20 وضع تشغيل: 12 لوناً محدداً و 8 تسلسلات لألوان مختلفة. ويتحكم المضمن في إضاءة أو إطفاء LumiPlus Flexi، وتغييرات الألوان والتسلسلات وإيقاف تشغيل التوقيت. وإذا كان لديك جهاز تحكم عن بُعد، فعدا التشغيل بالمضمن يمكنك أيضاً تشغيل ألوان التسلسل وإيقاف تشغيلها واختيار إيقاف تشغيل التوقيت.

• مخطط التوصيلات الكهربائية (انظر المخطط الصفحة 38)

يتعين استخدام مضمن ومحول وأضواء كشافة ليد (LED) حتى يعمل التركيب على نحو صحيح. ومن بين الخيارات، يمكن التحكم في هذا النظام بجهاز تحكم عن بُعد (ريموت).

ويجب توصيل المضمن بمصدر تيار كهربائي 230 فولت تيار متردد من خلال توصيل الطرفين المميزين بحروف RED بالطرفين المميزين بحروف TRF للفتاف الأولية للمحول (230 فولت تيار متردد).

ويجب أن يكون المحول بالحجم الصحيح لإمداد كل ضوء كشافة LumiPlus متصل بالفولتية المتوافقة للتيار المتردد (انظر الجدول على الغلاف الخلفي). على سبيل المثال، إذا كنت ترغب في التحكم في 3 أضواء كشافة 29 فولت تيار متردد RGB V1، فيجب توصيلها على التوازي بمحول 100 فولت تيار متردد على الأقل.

ويمكن لكل مضمن أن يدعم حتى 900 فولت أمبير كحد أقصى.

بعد تركيب الوحدة، تتم المتابعة كما هو موضح فيما يلي لتشغيل العارض لأول مرة:

يتم تشغيل الوحدة (المصباح) بتنشيط الكهرباء 230 فولت تيار متردد (متردد) عند دخل المضمن، الذي سوف ينضبط مع المحول. وسوف يومض الضوء الليد (LED) الأخضر للمضمن كل ثانيتين (2) ويظل LumiPlus Flexi مطفأً.

• أنواع الإضاءة

تتيح وحدة التحكم عن بعد - المضمن - المحول - الضوء الكشاف LumiPlus Flexi إنشاء أوضاع إضاءة مختلفة داخل المصباح (حمام السباحة) مع خيار تشغيل: اللون المحدد: اختيار لون محدد من بين 12 لوناً ممكناً.

رقم اللون	اللون
7	بنفسجي هادي
8	أزرق سماوي
9	برتقالي
10	وردي
11	أخضر زمردى
12	أبيض

رقم اللون	اللون
1	أحمر
2	أخضر
3	أزرق
4	أصفر
5	أزرق مخضر
6	ماغينيتا (أحمر مزرق)

تسلسل الألوان الأوتوماتيكي: اختيار ثمانية برامج لتسلسل ألوان. ويحدد كل برنامج بمدة كل لون والانتقال من لون إلى آخر، وفقاً للجدول التالي:

ترتيب الألوان								التسلسل	
						أزرق اصفر	أخضر ماغنيتا (أحمر مزرق)	أحمر أزرق مخضر	1 2
						أزرق سماوي برتقالي	أخضر زمردي مخضر أخضر	أخضر	3
						أزرق وردي	أخضر وردي	أحمر أحمر	4 5
					أزرق	أزرق مخضر	أخضر برتقالي	أحمر	6
					أبيض	أصفر أزرق	ماغنيتا (أحمر مزرق)	بنفسجي هادئ	7
أبيض أخضر زمرد	أخضر وردي	برتقالي	أزرق سماوي	ماغنيتا (أحمر مزرق)	أصفر مخضر	أزرق مخضر	أخضر أزرق	أحمر	8

7. تحذيرات السلامة

- يجب تركيب وحدة الإنارة بطريقة تجعل من غير الممكن التحديق فيها من مسافة أقل من 2.36 متر (فقط في حالة استخدام طرز ليد (LED) الأحمر والأخضر والأزرق).
- إذا تعرض الكبل أو الأسلاك الخاصة بوحدة الإنارة هذه للتلوث، فيمكن فقط استبداله من قبل الجهة المصنعة أو أحد مهندسي الصيانة التابعين لها، أو شخص ذي مؤهلات مماثلة، وذلك لمنع التعرض لأي مخاطر.
- ويمكن فقط استبدال مصدر الإضاءة بوحدة الإنارة هذه من قبل الجهة المصنعة أو أحد مهندسي الصيانة التابعين لها، أو شخص ذي مؤهلات مماثلة.
- يجب تجنب ملامسة الفولتية الكهربائية.
- يجب الالتزام بمعايير التيار للوقاية من وقوع الحوادث.
- في هذا الصدد، يجب اتباع المعيار IEC 364-7-702: توصيلات الأسلاك في المباني - التوصيلات الخاصة في المسابح.
- يجب أن تتم كافة أعمال الصيانة بعد فصل LumiPlus Flexi من الكهرباء الرئيسية.
- ممنوع التعامل مع المصباح بأقلامه مبللة.
- العرض Flexi Niche و LumiPlus Flexi و Flexi Rapid هو H07RN-F بمقطع عرضي يبلغ 2.5×2.5 مم، بينما في حالة أجهزة العرض Flexi Slim، فإن الكبل الأكبر الذي يمكن استخدامه هو H07RN-F بمقطع
- IEC/EN 60558-2-6:2014-2-13:61347، ما يتطلب استخدام محول أمان متوافق مع المعيار
- يتحمل الضوء الكشاف LumiPlus Flexi معالجات المسابح الميمنة أدناه طالما لم تكن قيم التركيز تتجاوز القيم التالية:

نوع المعالجة	التركيز في الماء
الكلور	2 ملغم/ل
برومين	5 ملغم/ل
التخليل الكهربائي للملح (Na Cl)	6 جم / لتر

تنبيه: الرجاء ملاحظة أنه يجب أن يكون الأس الهيدروجيني (المحوضة) لماء المسبح بين 7.2 و 7.6.

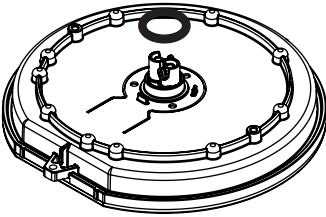


FIG. 1

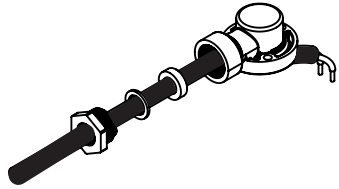


FIG. 2

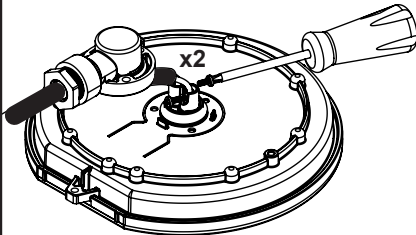


FIG. 3

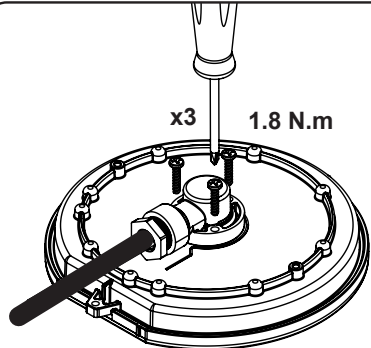


FIG. 4

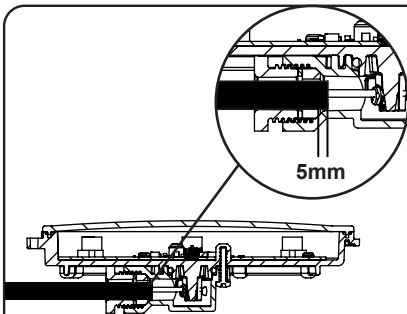


FIG. 5

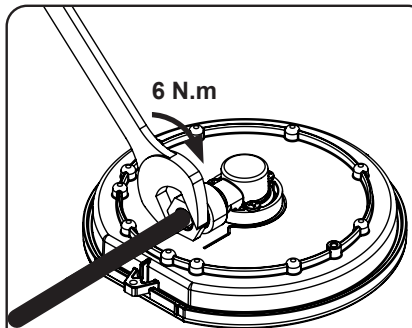
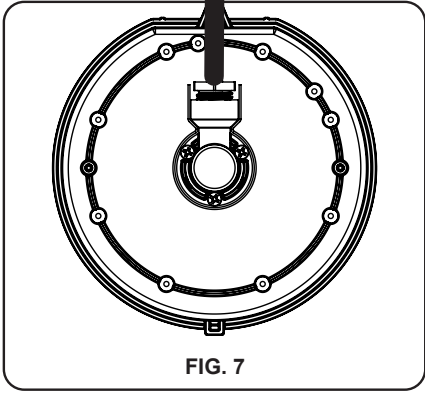


FIG. 6



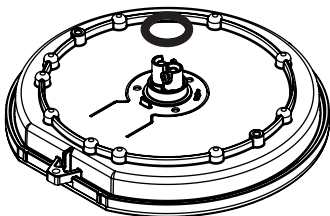


FIG. 1

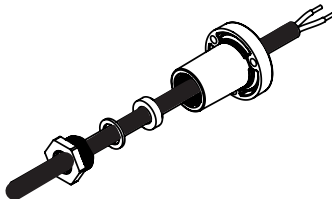


FIG. 2

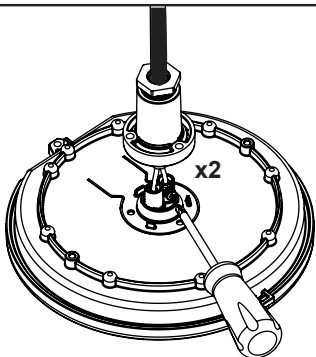


FIG. 3

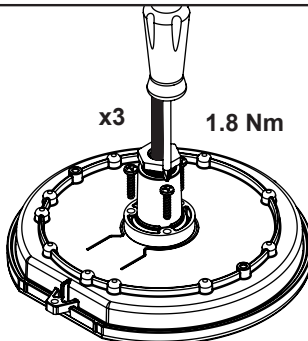


FIG. 4

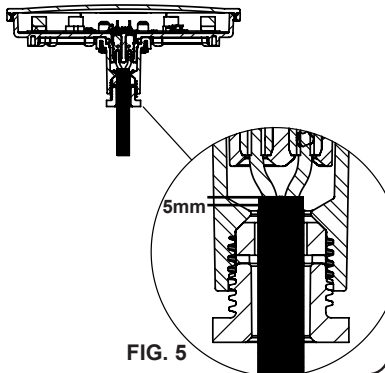


FIG. 5

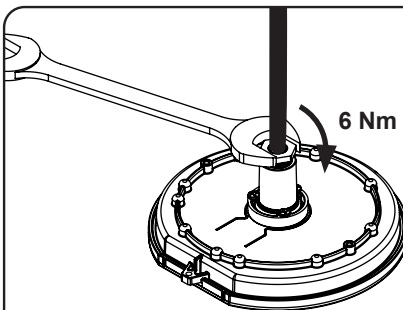


FIG. 6

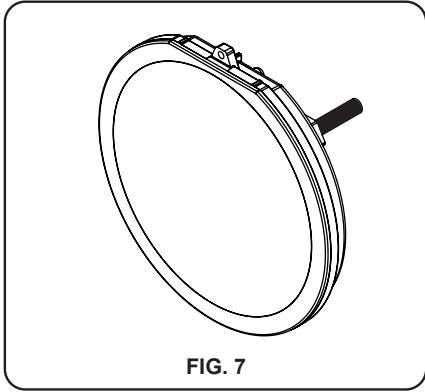
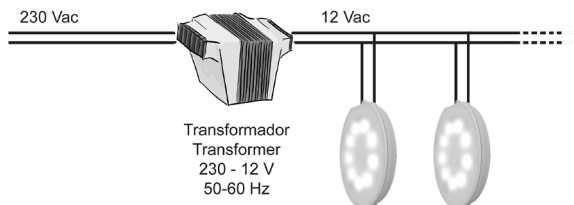


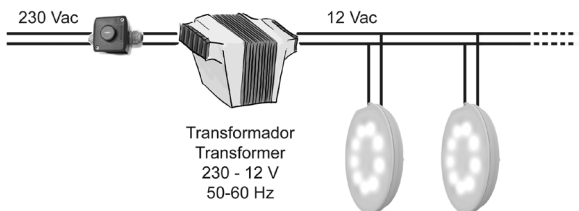
FIG. 7

ELECTRICAL CONNECTION DIAGRAM
 DIAGRAMME DES CONNEXIONS ELECTRIQUES
 DIAGRAMMA DE CONEXIONADO ELECTRICO
 DIAGRAMMA DELLE CONNESSIONI ELETTRICHE
 ELEKTRISCHER SCHALTPLAN
 DIAGRAMA DAS LIGAÇÕES ELÉTRICAS
 ΔΙΑΓΡΑΜΜΑ ΗΛΕΚΤΡΙΚΩΝ ΣΥΝΔΕΣΕΩΝ
 مخطط التوصيلات الكهربائية

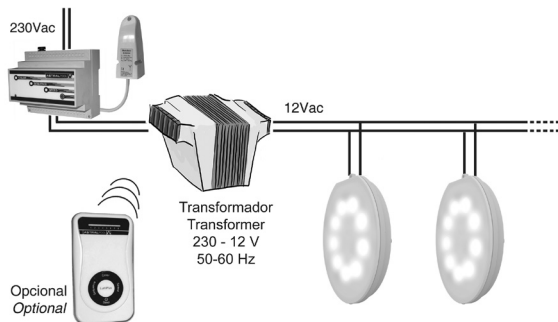
6.1. LumiPlus Monocolor



6.2A. LumiPlus RGB ECO



6.2B. LumiPlus RGB TOP



LUMIPLUS FLEXI

- COMPATIBILITY OF CABLE CROSS-SECTION AND LENGTH IN FLEXI MODELS WITH A MAXIMUM VOLTAGE DROP OF 5%, CONNECTED TO NOMINAL VOLTAGE.
- COMPATIBILITÉ SECTION-LONGUEUR DU CÂBLE SELON LE MODÈLE FLEXI AVEC CHUTE DE TENSION MAXIMALE DE 5 %, RELIÉ AU COURANT NOMINAL.
- COMPATIBILIDAD SECCION-LONGITUD CABLE SEGUN MODELO FLEXI CON UNA CAIDA DE TENSION MAXIMA DEL 5% CONECTADO A LA TENSION NOMINAL
- COMPATIBILITÀ DI SEZIONE-LUNGHEZZA CAVO SECONDO IL MODELLO FLEXI CON UNA CADUTA DI TENSIONE MASSIMA DEL 5%, COLLEGATO ALLA TENSIONE NOMINALE.
- KOMPATIBILITÄT QUERSCHNITT-LÄNGE DES KABELS JE NACH FLEXI-MODELL MIT EINEM MAXIMALEN SPANNUNGSABFALL VON 5%, ANGESCHLOSSEN AN DIE NENNSPANNUNG.
- COMPATIBILIDADE SECÇÃO-COMPRIIMENTO CABO SEGUNDO MODELO FLEXI COM UMA QUEDA DE TENSÃO MÁXIMA DE 5%, LIGADO À TENSÃO NOMINAL
- ΣΥΜΒΑΤΟΤΗΤΑ ΜΗΚΟΥΣ ΚΑΙ ΔΙΑΤΟΜΗΣ ΚΑΛΩΔΙΟΥ ΣΕ ΜΟΝΤΕΛΑ FLEXI ΜΕ ΜΕΓΙΣΤΗ ΠΤΩΣΗ ΤΑΣΗΣ 5%, ΣΥΝΔΕΔΕΜΕΝΟ ΣΕ ΟΝΟΜΑΤΙΚΗ ΤΑΣΗ

FLEXI تازارط ي ف لب الكابل لو طال او يضر ع طقم ال قفاوت
 يمسا ال ايت لوفال اب لي صوت ال اء انثا ، 5% ءب س ن ب ءيت لوفال ا حراف خ ن ال ص ق ا د ح ع

CODE FLEXI PROJECTOR	DESCRIPTION	POWER (VA)	2 x 1,5mm ² CABLE						2x2,5mm ² CABLE				
			5m	10m	15m	20m	25m	30m	10m	15m	20m		
			74652	74656	74657	74658	74659	74673	71645	71646	71647		
71201, 71213, 71215, 71217	V1 WHITE 24VDC	14W (14VA)	✓	✓	✓	✓	✓	✓					
71201WW	V1 WARM WHITE 24VDC	14W (14VA)	✓	✓	✓	✓	✓	✓					
71200, 71212, 71214, 71216	V1 WHITE 12VAC	16W (24VA)	✓	✓							✓	✓	
71200WW	V1 WARM WHITE 12VAC	16W (24VA)	✓	✓							✓	✓	
71203, 71219, 71220, 71218	V1 RGB 12VAC	22W (29VA)	✓							✓	✓		
71205, 71235	V1 RGB WIRELESS 12VAC	22W (29VA)	✓							✓	✓		
71206, 71221, 71223, 71225	V1 RGB WIRELESS KIT-1 12VAC	22W (29VA)	✓							✓	✓		
71207, 71222, 71224, 71226	V1 RGB WIRELESS KIT-2 12VAC	22W (29VA)	✓							✓	✓		
71202, 71227, 71228, 71229	V2 WHITE 24VDC	32W (32VA)	✓	✓	✓	✓	✓	✓					
71202WW	V2 WARM WHITE 24VDC	32W (32VA)	✓	✓	✓	✓	✓	✓					
71233, 71237	V2 WHITE 12VAC	32W (42VA)	✓							✓			
71233WW	V2 WARM WHITE 12VAC	32W (42VA)	✓							✓			
71204, 71230, 71231, 71232	V2 RGB 12VAC	43W (54VA)	✓										
71208	V2 RGB-DMX 12VAC	43W (54VA)	✓										

IMPORTANT

- For the FLEXI SLIM, the maximum H07RNF cable cross-section that fits in the projector is $2 \times 1.5 \text{ mm}^2$.
- For the FLEXI RAPID and FLEXI NICHE, the maximum H07RNF cable cross-section that fits in the projectors is $2 \times 1.5 \text{ mm}^2$.
- For greater cable length, a waterproof splice must be made and specific cross-sections calculated.

IMPORTANT

- Para FLEXI SLIM, la sección máxima de cable H07RNF permitida por el proyector es de $2 \times 1.5 \text{ mm}^2$.
- Para FLEXI RAPID y FLEXI NICHE, la sección máxima de cable H07RNF permitida por el proyector es de $2 \times 2.5 \text{ mm}^2$.
- Para un mayor alargamiento del cable, es necesario efectuar un empalme estanco y un cálculo específico de secciones.

IMPORTANTE

- Per FLEXI SLIM la sección máxima de cable H07RNF que admite el proyector es de $2 \times 1.5 \text{ mm}^2$.
- Para FLEXI RAPID y FLEXI NICHICO la sección máxima de cable H07RNF que admite el proyector es de $2 \times 2.5 \text{ mm}^2$.
- Para una mayor longitud de cable será necesario realizar un empalme estanco y un cálculo de secciones específico.

IMPORTANTE

- Per FLEXI SLIM la sezione massima del cavo H07RNF compatibile con il faro è di $2 \times 1.5 \text{ mm}^2$.
- Per FLEXI RAPID e FLEXI NICHE la sezione massima del cavo H07RNF compatibile con il faro è di $2 \times 2.5 \text{ mm}^2$.
- Qualora fosse necessario impiegare un cavo più lungo si dovrà prevedere un raccordo a tenuta stagna ed eseguire un calcolo specifico delle sezioni.

WICHTIG

- Bei FLEXI SLIM lässt der Projektor einen maximalen Querschnitt des Kabels H07RNF von $2 \times 1.5 \text{ mm}^2$ zu.
- Bei FLEXI RAPID und FLEXI NICHICO lässt der Projektor einen maximalen Querschnitt des Kabels H07RNF von $2 \times 2.5 \text{ mm}^2$ zu.
- Bei einer größeren Kabellänge ist eine wasserdichte Verbindung der Kabel und eine spezielle Berechnung der Querschnitte erforderlich.

IMPORTANTE

- Para FLEXI SLIM, a secção máxima de cabo H07RNF admitida pelo projetor é de $2 \times 1.5 \text{ mm}^2$.
- PARA FLEXI RAPID e FLEXI NICHE a secção máxima de cabo H07RNF admitida pelo projetor é de $2 \times 2.5 \text{ mm}^2$.
- Para um maior comprimento de cabo será necessário realizar uma junção estanque e um cálculo de secções específico.

ΣΗΜΑΝΤΙΚΟ

- Για το FLEXI SLIM, η μέγιστη διατομή καλωδίου H07RNF που ταιριάζει στον προβολέα είναι $2 \times 1.5 \text{ mm}^2$
- Για τα FLEXI RAPID και FLEXI NICHE, η μέγιστη διατομή καλωδίου H07RNF που ταιριάζει στους προβολείς είναι $2 \times 1.5 \text{ mm}^2$
- Για μεγαλύτερο μήκος καλωδίου, πρέπει να πραγματοποιηθεί αδιάβροχη συγκόλληση και να υπολογιστούν συγκεκριμένες διατομές.

مهم تمامول عم

- مهم 2×1.5 وه ضراعاعلأ فاشلكلأ يف بلكري يذلا H07RNF لباللكل يضرع عطقم ىصقأ: FLEXI SLIM زارط -
- مهم 2×1.5 وه ضراعاعلأ فاشلكلأ يف بلكري يذلا H07RNF لباللكل يضرع عطقم ىصقأ: FLEXI NICHE زارطو FLEXI RAPID زارط -
- دددمجالأ ةيضرعاعلأ عطاقملا باسحو ءاملل ةدماص ةلصو لمع بجي ،لباللكل ربكأ لوطل -

GB	PRODUCTS:	LUMIPLUS FLEXI SPOTLIGHT
F	PRODUITS:	POINT DE LUMIÈRE LUMIPLUS FLEXI
E	PRODUCTOS:	PUNTO DE LUZ LUMIPLUS FLEXI
I	PRODOTTI:	PUNTO DI LUCE LUMIPLUS FLEXI
D	PRODUKTE:	LEUCHTE LUMIPLUS FLEXI
P	PRODUTOS:	PONTO DE LUZ LUMIPLUS FLEXI
EL	ΠΡΟΪΟΝΤΑ:	ΠΡΟΒΟΛΕΑΣ LUMIPLUS FLEXI
العربية	المنتجات:	الضوء الكشاف LUMIPLUS FLEXI

DECLARATION CE OF CONFORMITY

The products listed above are in compliance with:
 Directive 2014/35/EU, on electrical equipment designed for use within certain voltage limits
 Directive 2014/30/ EU, on electromagnetic compatibility
 Directive 2015/863/EU, on the restriction of the use of certain hazardous substances in electrical and electronic equipment
 Directive 2009/125/EU establishing a framework for the setting of ecodesign requirements for energy-related products

DÉCLARATION CE DE CONFORMITÉ

Les produits énumérés ci-dessus sont conformes à:
 Directive 2014/35/EU, sur le marché du matériel électrique destiné à être employé dans certaines limites de tension
 Directive 2014/30/ EU, sur la compatibilité électromagnétique
 Directive 2015/863/EU, sur la liste des substances soumises à limitations
 Directive 2009/125/ EU, établissant un cadre pour la fixation d'exigences en matière d'écoconception applicables aux produits liés à l'énergie

DECLARACION CE DE CONFORMIDAD

Los productos arriba enumerados se hallan conformes con:
 Directiva 2014/35/EU, sobre el material eléctrico destinado a utilizarse con determinados límites de tensión.
 Directiva 2014/30/ EU, sobre Compatibilidad Electromagnética.
 Directiva 2015/863/EU sobre restricciones a la utilización de determinadas sustancias peligrosas en aparatos eléctricos y electrónicos.
 Directiva 2009/125/ EU sobre requisitos de diseño ecológico aplicables a los productos relacionados con la energía.

DICHIARAZIONE CE DI CONFORMITÀ

I prodotti di cui sopra adempiono alle seguenti direttive:
 Direttiva 2014/35/UE sul materiale elettrico destinato a essere adoperato entro taluni limiti di tensione
 Direttiva 2014/30/UE in materia di compatibilità elettromagnetica
 Direttiva 2015/863/UE sulla restrizione d'uso di determinate sostanze pericolose in apparecchiature elettriche ed elettroniche
 Direttiva 2009/125/UE relativa all'istituzione di un quadro per l'elaborazione di specifiche per la progettazione ecocompatibile dei prodotti connessi all'energia.

KONFORMITÄTSERKLÄRUNG CE

Die oben aufgeführten Produkte sind konform mit:
Richtlinie 2014/35/EU über die Bereitstellung elektrischer Betriebsmittel zur Verwendung innerhalb bestimmter Spannungsgrenzen
Richtlinie 2014/30/EU über elektromagnetische Verträglichkeit
Richtlinie 2015/863/EU zur Beschränkung der Verwendung bestimmter gefährlicher Stoffe in Elektro- und Elektronikgeräten
Richtlinie 2009/125/EU zur Schaffung eines Rahmens für die Festlegung von Anforderungen an die umweltgerechte Gestaltung energieverbrauchsrelevanter Produkte.

DECLARAÇÃO CE DE CONFORMIDADE

Os produtos relacionados acima estão conformes as:
Diretiva 2014/35/UE relativa ao material elétrico destinado a ser utilizado com determinados limites de tensão
Diretiva 2014/30/UE relativa à compatibilidade eletromagnética
Diretiva 2015/863/UE relativa às restrições à utilização de determinadas substâncias perigosas em aparelhos elétricos e eletrónicos
Diretiva 2009/125/UE relativa aos requisitos de conceção ecológica aplicáveis aos produtos relacionados com a energia.

ΔΗΛΩΣΗ ΣΥΜΜΟΡΦΩΣΗΣ CE

Τα προϊόντα που περιγράφονται παραπάνω συμμορφώνονται με τα εξής:
Οδηγία 2014/35/ΕΕ για το ηλεκτρολογικό υλικό που προορίζεται να χρησιμοποιηθεί εντός ορισμένων ορίων τάσεως
Οδηγία 2014/30/ ΕΕ για την ηλεκτρομαγνητική συμβατότητα
Οδηγία 2015/863/ΕΕ για τον περιορισμό της χρήσης ορισμένων επικίνδυνων ουσιών σε είδη ηλεκτρικού και ηλεκτρονικού εξοπλισμού
Οδηγία 2009/125/ΕΕ για θέσπιση πλαισίου για τον καθορισμό απαιτήσεων οικολογικού σχεδιασμού όσον αφορά τα προϊόντα που καταναλώνουν ενέργεια

بيان التوافق

المنتجات المبينة اعلاه تمثل للتوجيهات والمعايير التالية:
التوجيه 2014/35/ΕΕ حول الأجهزة الكهربائية المصممة للاستخدام في حدود فولتية معينة
التوجيه 2014/30/ΕΕ حول التوافق الكهرومغناطيسي
التوجيه 2015/863/ΕΕ حول تقييد استخدام مواد خطرة معينة في الأجهزة الكهربائية والإلكترونية
التوجيه 2009/125/ΕΕ الذي يضع إطاراً لتحديد متطلبات التصميم البيئي للمنتجات ذات الصلة بالطاقة

Signature / Qualification:
Signature / Qualification:
Firma / Cargo:
Firma / Qualificao:
Unterschrift / Qualifizierung:
Assinatura / Título:
Υπογραφή / Πιστοποίηση:
التوقيع / الموئل:

SACOPA, S.A.U.
Pol. Ind. Políger Sud – Sector I
17854 SANT JAUME DE LLIERCA
SPAIN

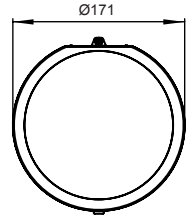
St. Jaume de Llierca,
6 June of 2019




GERENT

- TECHNICAL CHARACTERISTICS
- CARACTERISTIQUES TECHNIQUES
- CARACTERÍSTICAS TÉCNICAS
- DATI TECNICI
- TECHNISCHE ANGABEN
- ΤΕΧΝΙΚΑ ΧΑΡΑΚΤΗΡΙΣΤΙΚΑ

• المواصفات الفنية



DESCRIPTION	LumiPlus Flexi V1		LumiPlus Flexi V2	
	Monocolour	RGB	Monocolour	RGB
Code / Code / Código / Codice / Code / Código / Κωδικός / الرمز	71200 71200WW	71203	71233 71233WW	71204
Power / Pouvoir / Potencia / Potere / Macht / Poder / ισχύς / القدرة	16W (24VA)	22W (29VA)	32W (42VA)	43W (54VA)
Rated voltage / Tension nominale / Tensión nominal / Tensione nominale / Anschlussspannung / Tensão nominal / Ονομαστική τάση / الفولتية الممننة / الفولتية	12 V AC - 50/60 Hz			
Protection / Protection / Protección / Protezione / Schutz / Proteção / Προστασία / الحماية	CLASS III - IPX8			
 TO BE USED ONLY WITH A SECURITY TRANSFORMER / À UTILISER UNIQUEMENT AVEC UN TRANSFORMATEUR DE SECURITÉ / PARA USO EXCLUSIVO CON TRANSFORMADOR DE SEGURIDAD / PER USO ESCLUSIVO CON TRANSFORMATORE DI SICUREZZA / NUR ZUSAMMEN MIT EINEM SICHERHEITSTRANSFORMATOR ZU BENUTZEN / PARA USO EXCLUSIVO COM TRANSFORMADOR DE SEGURANÇA / ΠΡΟΟΡΙΖΕΤΑΙ ΓΙΑ ΧΡΗΣΗ ΜΟΝΟ ΜΕ ΜΕΤΑΣΧΗΜΑΤΙΣΤΗ ΑΣΦΑΛΕΙΑΣ / للاستخدام فقط مع محول امان				
LUMIPLUS FLEXI NEVER TO BE SWITCHED ON IF IT IS NOT SUBMERGED / N'ALLUMER LE LUMIPLUS FLEXI QUE SUBMERGÉ DANS L'EAU / NO ENCENDER NUNCA LUMIPLUS FLEXI SI NO ESTA SUMERGIDO EN AGUA / NON ACCENDERE MAI IL LUMIPLUS FLEXI SE NON È IMMERSO IN ACQUA / LUMIPLUS FLEXI NUR UNTER WASSER GETAUCHT ANZUMACHEN / NÃO ACENDER NUNCA O LUMIPLUS FLEXI SE NÃO ESTIVER SUBMERGIDO NA AGUA / TO LUMIPLUS ΔΕΝ ΠΡΕΠΕΙ ΝΑ ΕΝΕΡΓΟΠΟΙΕΙΤΑΙ ΠΟΤΕ ΔΕΝ ΕΙΝΑΙ ΒΥΘΙΣΜΕΝΟ ΣΤΟ ΝΕΠΟ / أبدا إذا لم يكن مغمورا LUMIPLUS FLEXI لا يجب إضاءة				

Made in Spain

Sacopa, S.A.U.

Pol. Ind. Poliger Sud – Sector I
17854 Sant Jaume de Llierca (Spain)

ASTRALPOOL

Avda. Francesc Macià, 60, planta 20
08208 Sabadell (Barcelona) Spain
info@astralpool.com

71200E202-04

- We reserve to change all or part of the articles or contents of this document, without prior notice.
 - Nos nous réservons le droit de modifier totalement ou en partie les caractéristiques de nos articles ou le contenu de ce document sans pré avis.
 - Nos reservamos el derecho de cambiar total o parcialmente las características de nuestros artículos o contenido de este documento sin previo aviso.
 - Ci riserviamo il diritto di cambiare totalmente o parzialmente le caratteristiche tecniche dei nostri prodotti ed il contenuto di questo documento senza nessuno preavviso.
 - Wir behalten uns das recht vor die eigenschatten unserer produkte oder den inhalt dieses prospektes teilweise oder vollstanding, ohne vorherige benachichtigung zu andern.
 - Reservamo-nos no direito de alterar, total ou parcialmente as características dos nossos artigos ou o conteúdo deste documento sem aviso prévio
 - Διατηρούμε το δικαίωμα τροποποίησης μέρους ή ολόκληρων των άρθρων ή των περιεχομένων αυτού του εγγράφου, χωρίς πρότερη ειδοποίηση.
- نحفظ بالحق في تغيير كل أو جزء من المنتجات أو محتويات هذه الوثيقة بدون إشعار مسبق