
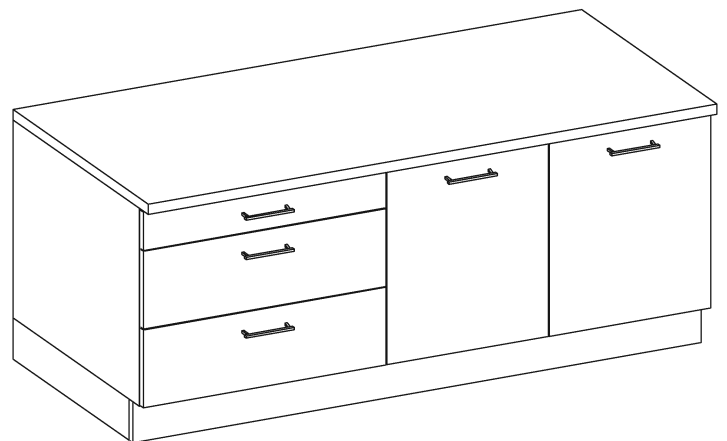
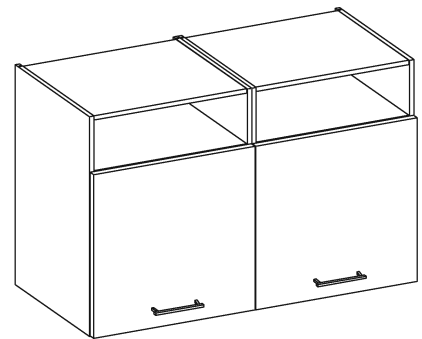
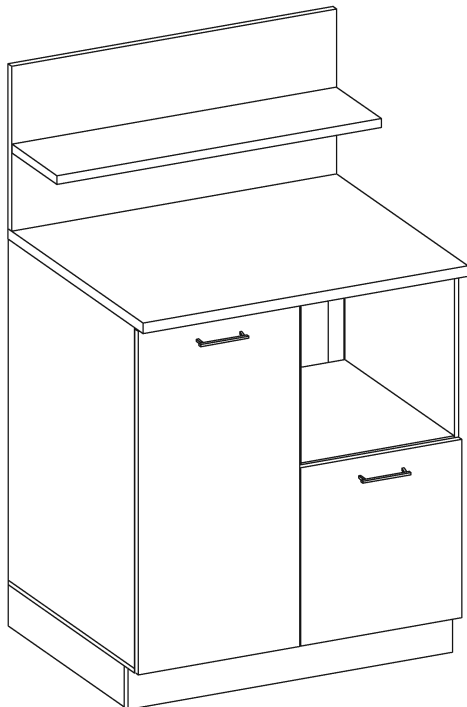
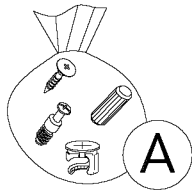
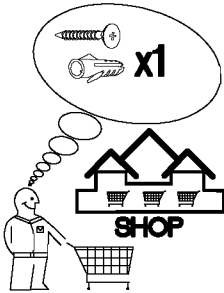
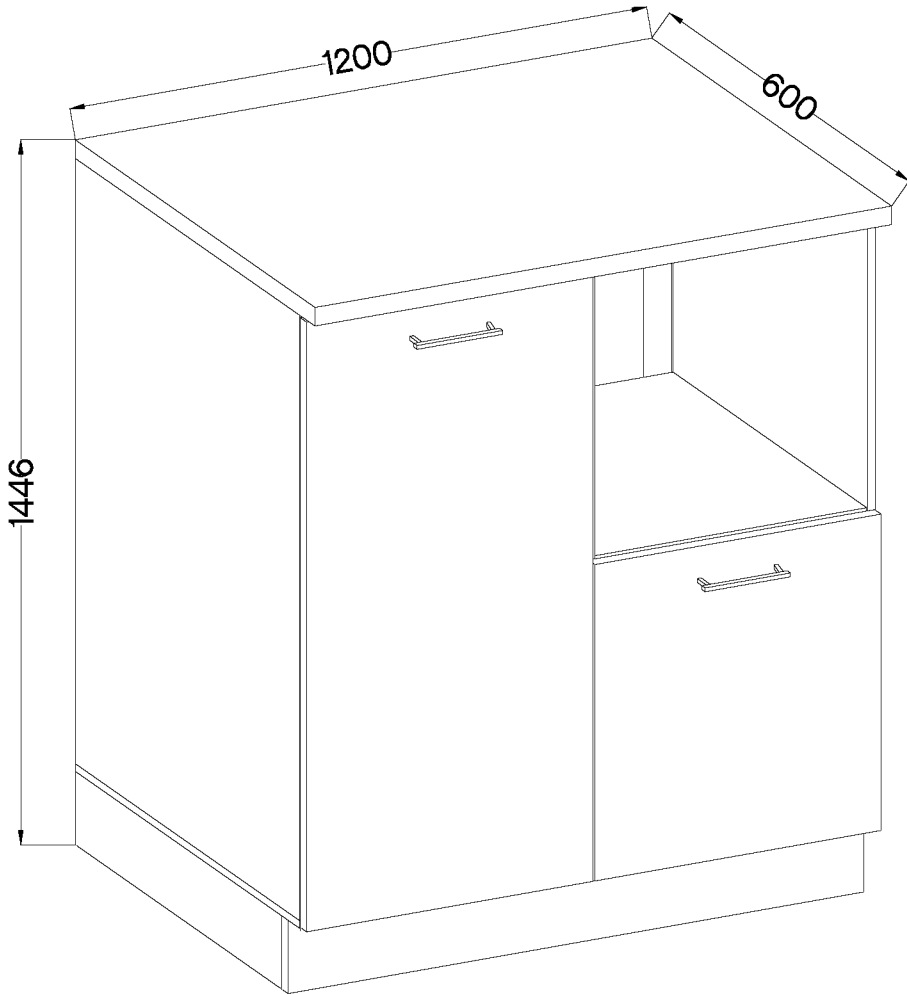
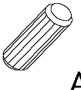

















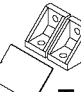


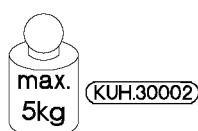
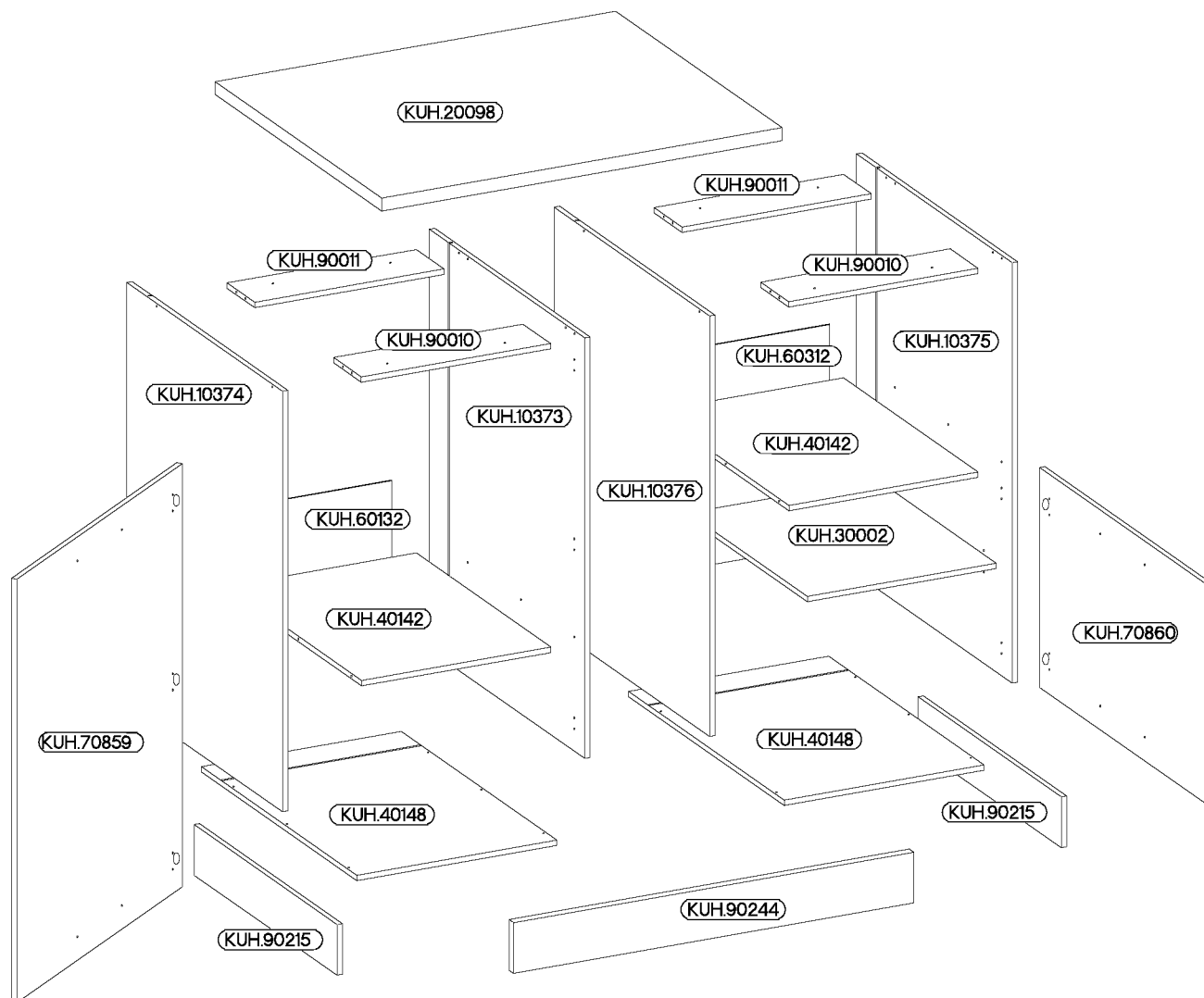
	<p>APL 210/38 84-218-Z2</p>	



# NASHVILLE



 +8x30mm A	 6,4 x 50mm B	 +15/12mm C	 L=20mm D2	 E	 E1	 F15	 F16	 +35/0mm HG	 +35/0mm HG [CD]	
8	20	12	12	12	20	8	7	3	2	
 +5/16mm J3	 O	 +4.0x16mm P1	 +3.5x13mm P5	 +3.0x20mm P7	 +4.0x25mm R	 +4.0x35mm R3	 L=160mm S	 T4	 M4x22mm U	 Z3
4	1	32	56	5-6	4	8	2	8	4	1

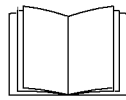
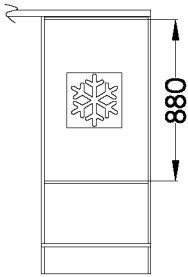
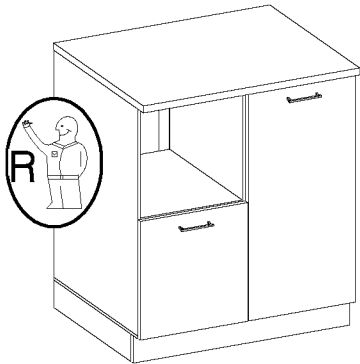


Colli	Ersatzteil Nummer	Dimension
Colli 1/7	KUH.30002	566x430x16
	KUH.40142 x2	567x485x16
	KUH.40148 x2	599x560x16
	KUH.60132	585x353x2.5
	KUH.60312	585x648x2.5
	KUH.70859	1250x596x16
	KUH.70860	649x596x16
	KUH.90010 x2	567x100x16
KUH.90011 x2	567x100x16	

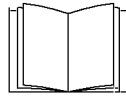
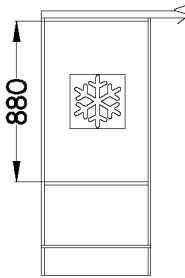
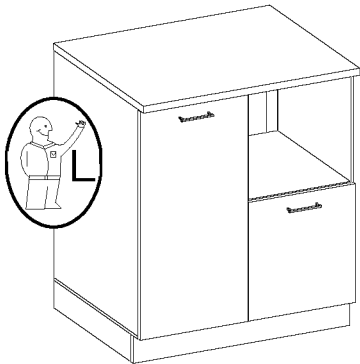
Colli	Ersatzteil Nummer	Dimension
Colli 2/7	KUH.20098	1200x600x32
	KUH.90215 x2	515x150x16
	KUH.90244	1199x150x16

Colli	Ersatzteil Nummer	Dimension
Colli 3/7	KUH.10373	1242x560x16
	KUH.10374	1242x560x16
	KUH.10375	1242x560x16
	KUH.10376	1242x560x16

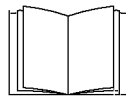
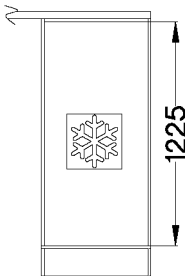
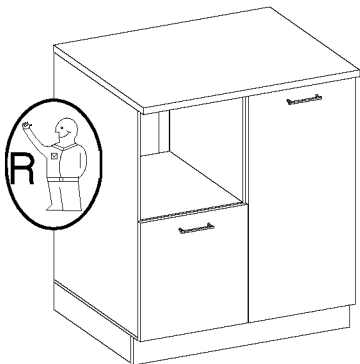
# NASHVILLE



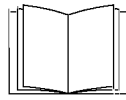
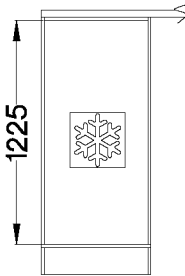
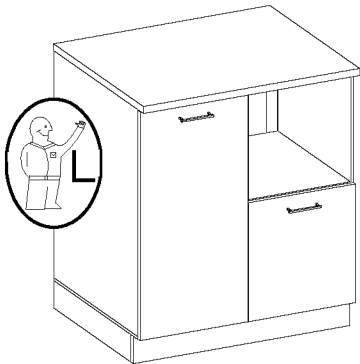
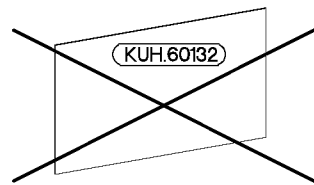
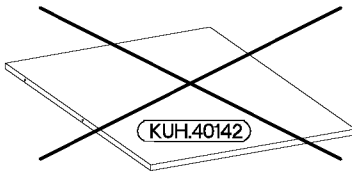
1 - 14  
19 - 22



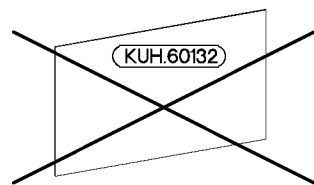
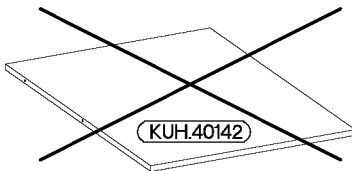
1 - 18




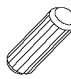
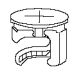
23 - 27  
9 - 14  
32 - 35

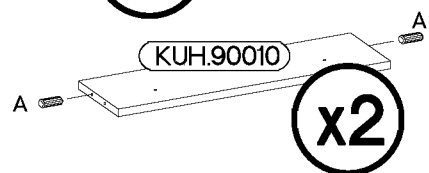
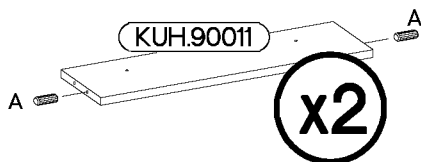
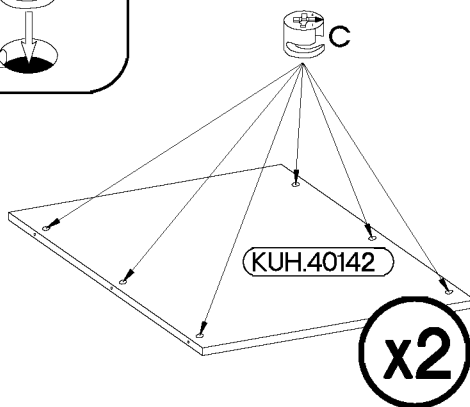
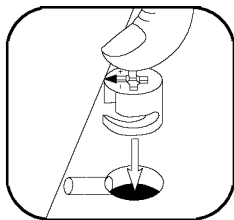
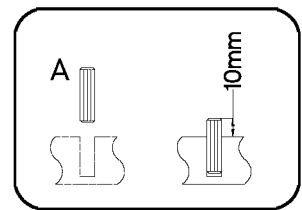
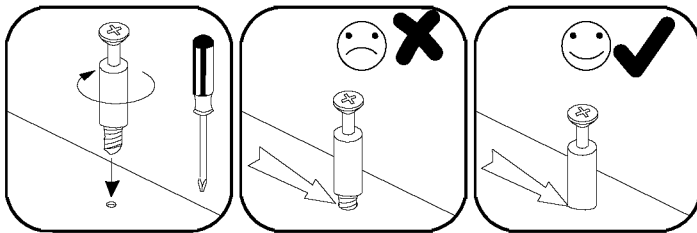
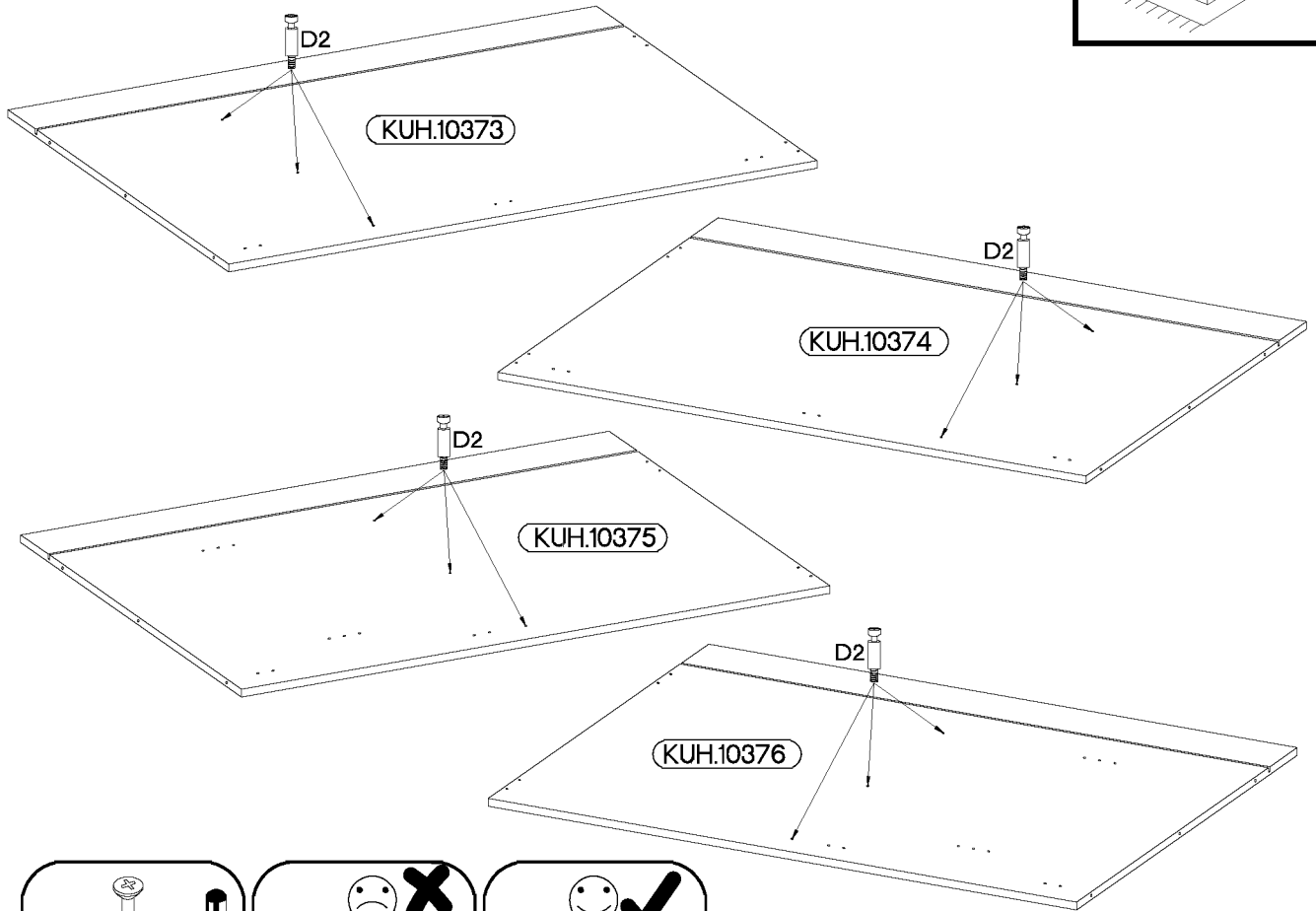
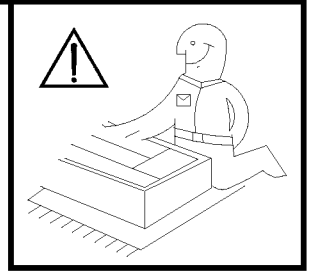


23 - 27  
9 - 14  
28 - 31





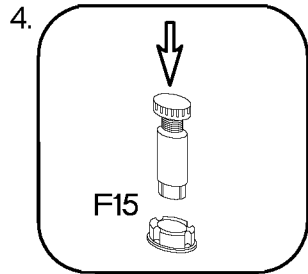
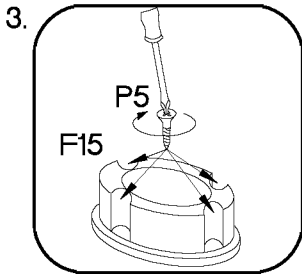
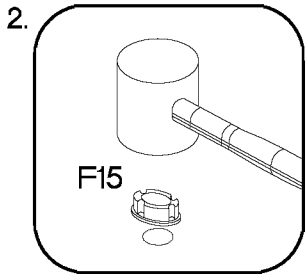
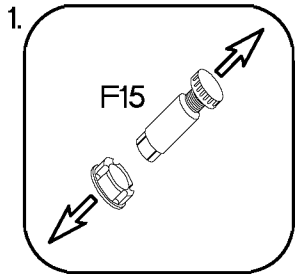
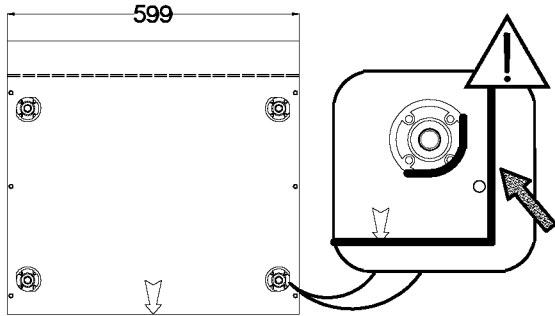
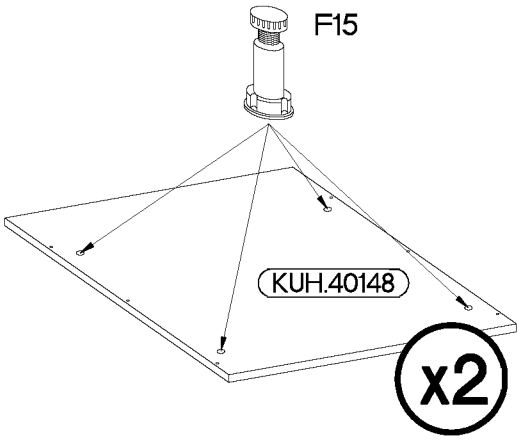
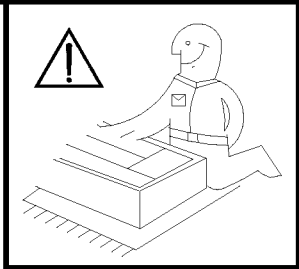
1

L=20mm 	+8x30mm 	+15/12mm 
D2 12	A 8	C 12

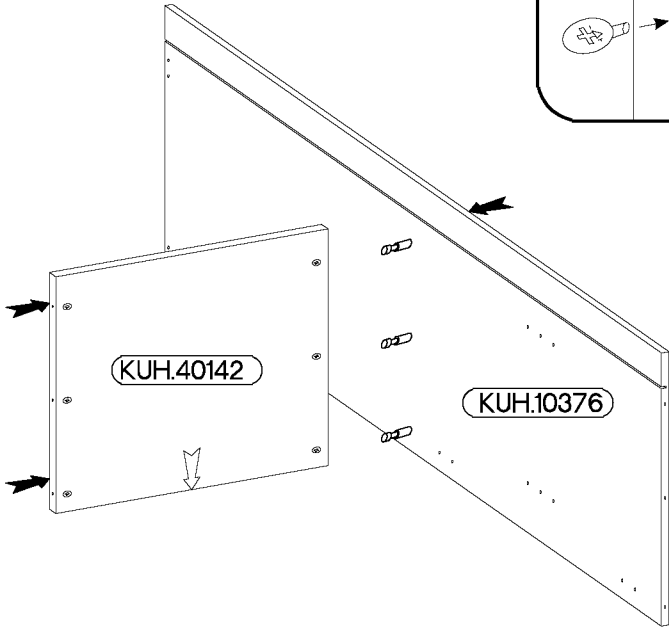
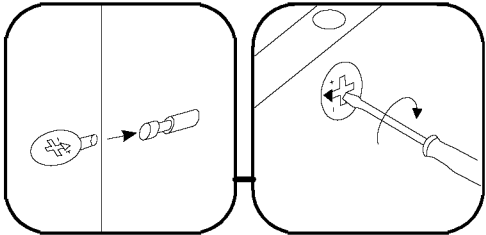


2


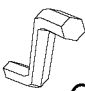
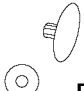
+3.5x13mm		
	P5	F15
	32	8

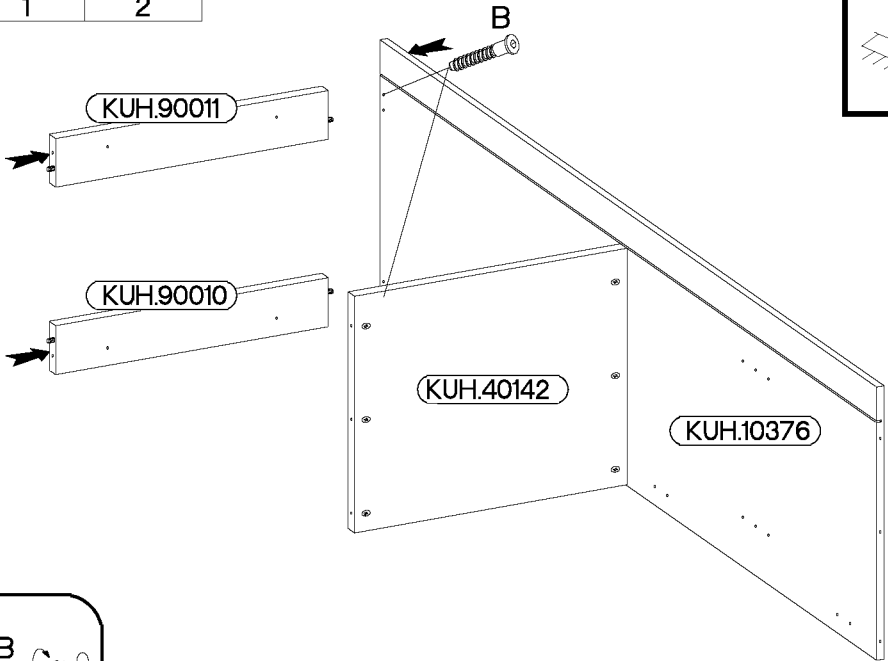
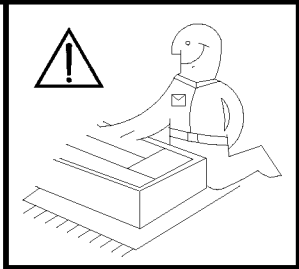


3

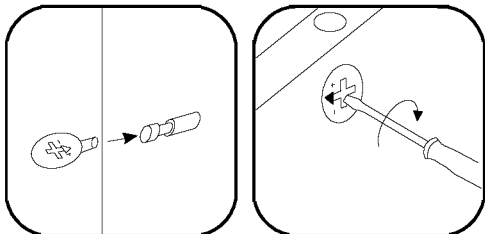
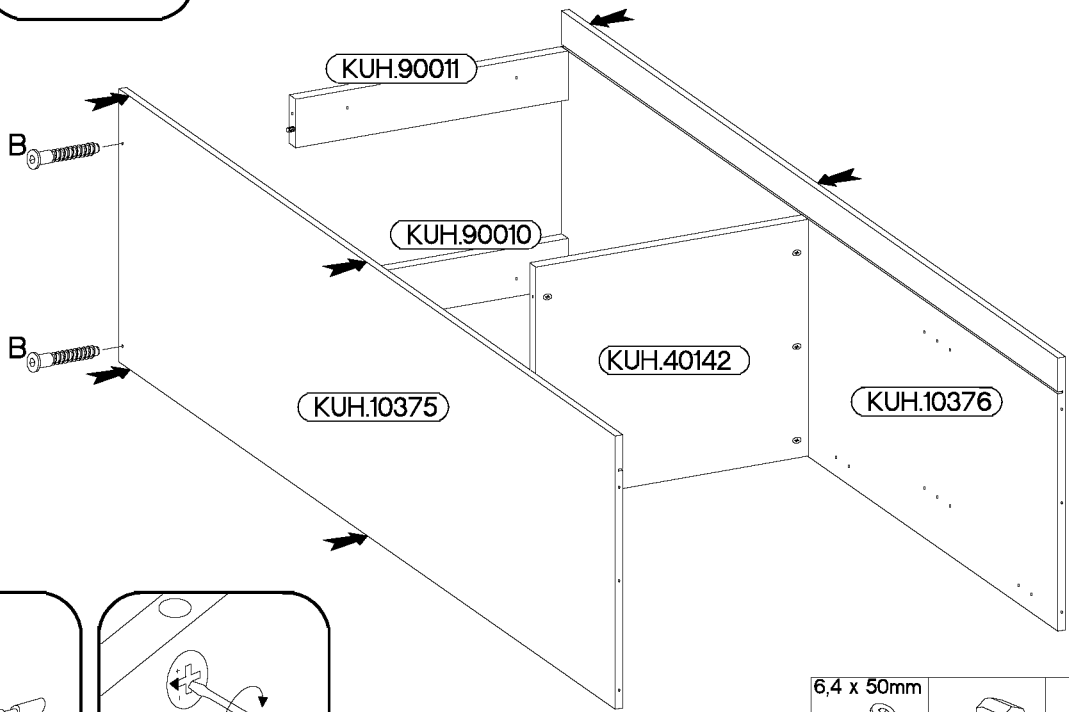
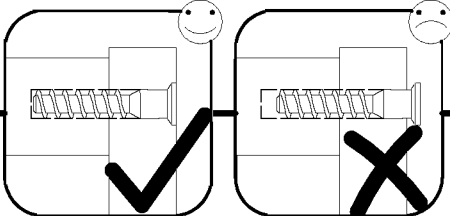
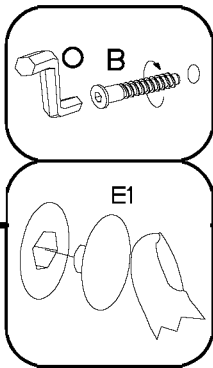



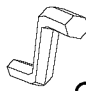
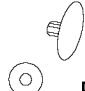
4

6,4 x 50mm		
		
B	O	E1
2	1	2



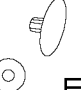


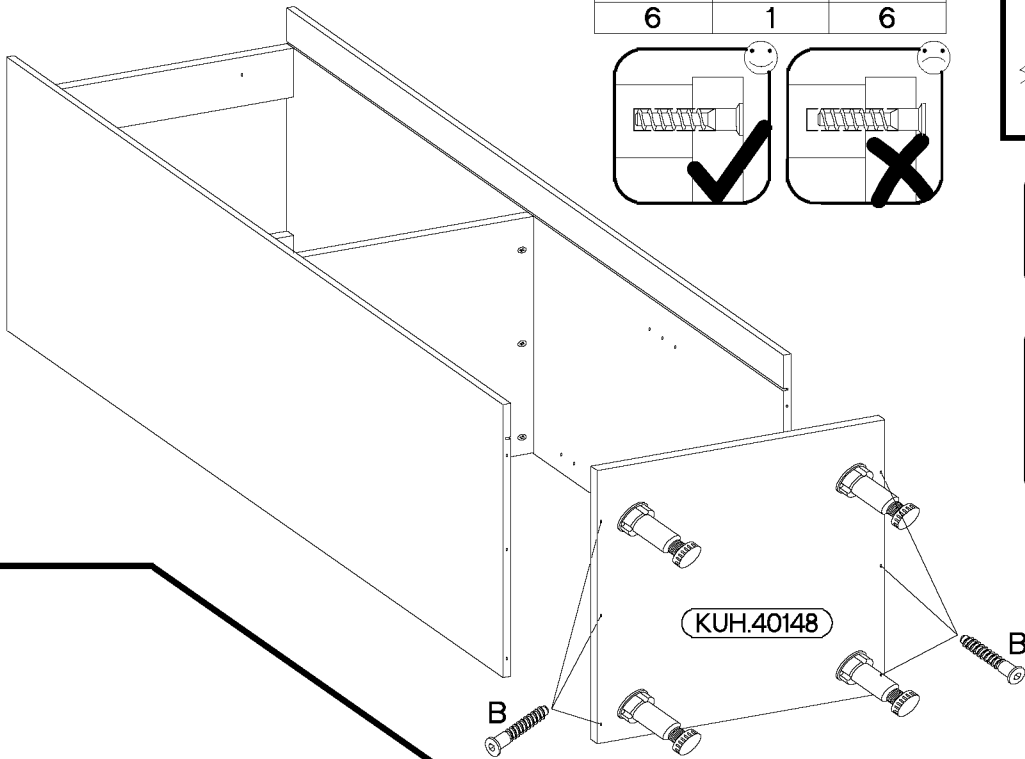
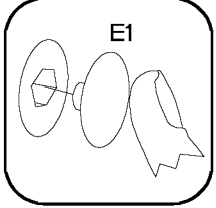
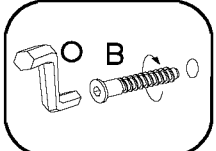
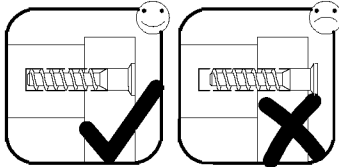
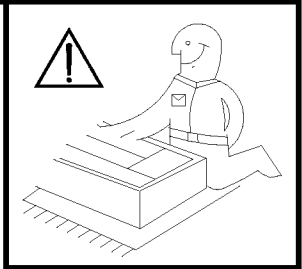
5



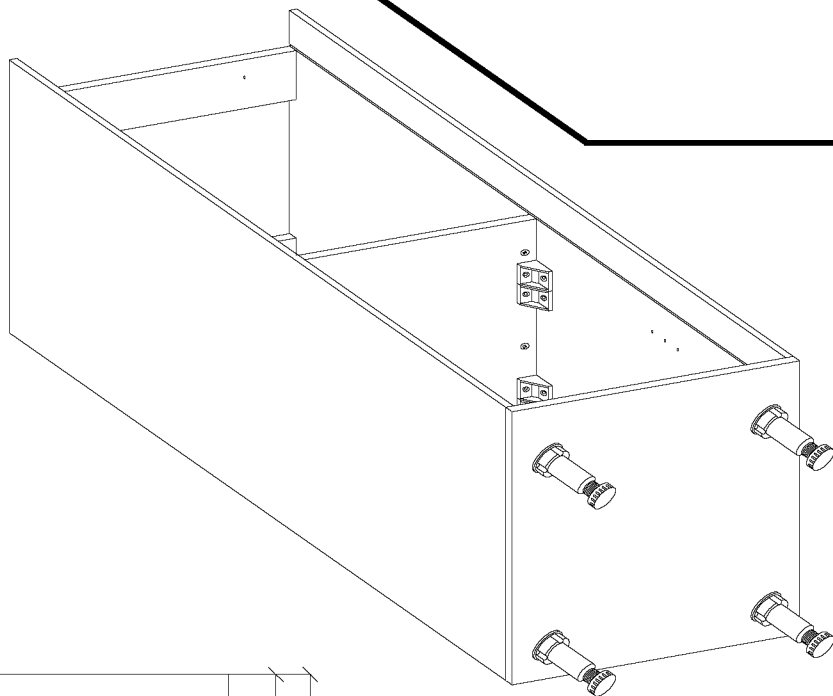
6,4 x 50mm		
		
B	O	E1
2	1	2

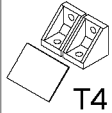

6

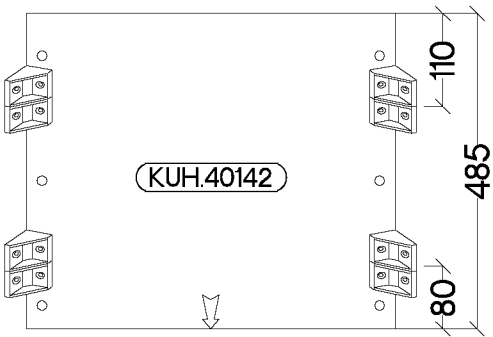
6,4 x 50mm		
		
6	1	6

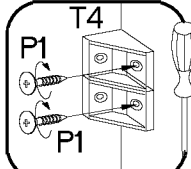
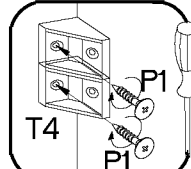
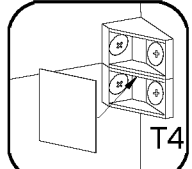


7



+4.0x16mm	
	
4	16

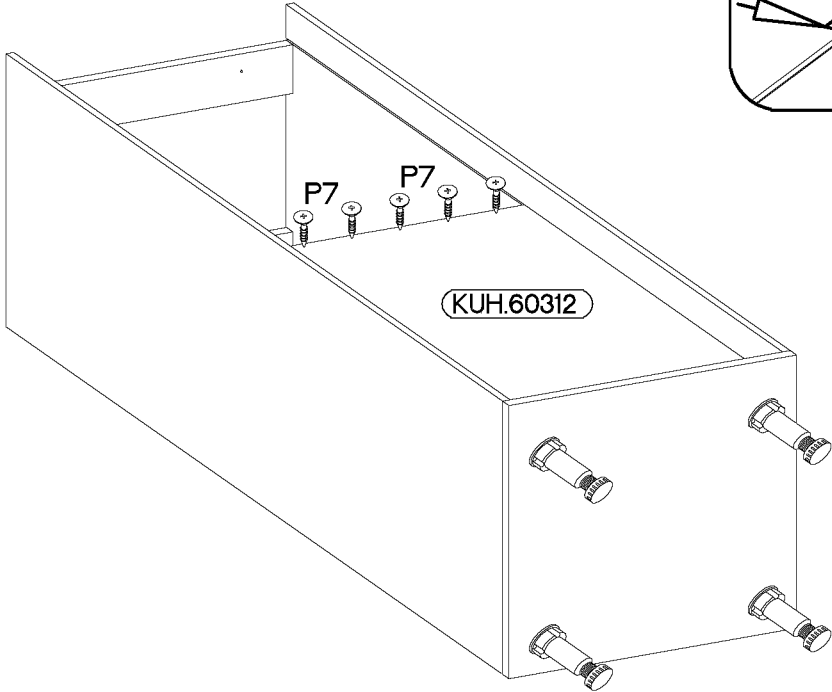
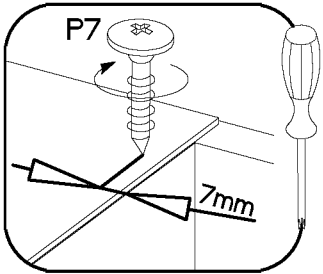
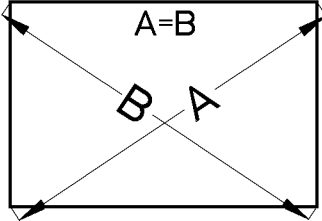
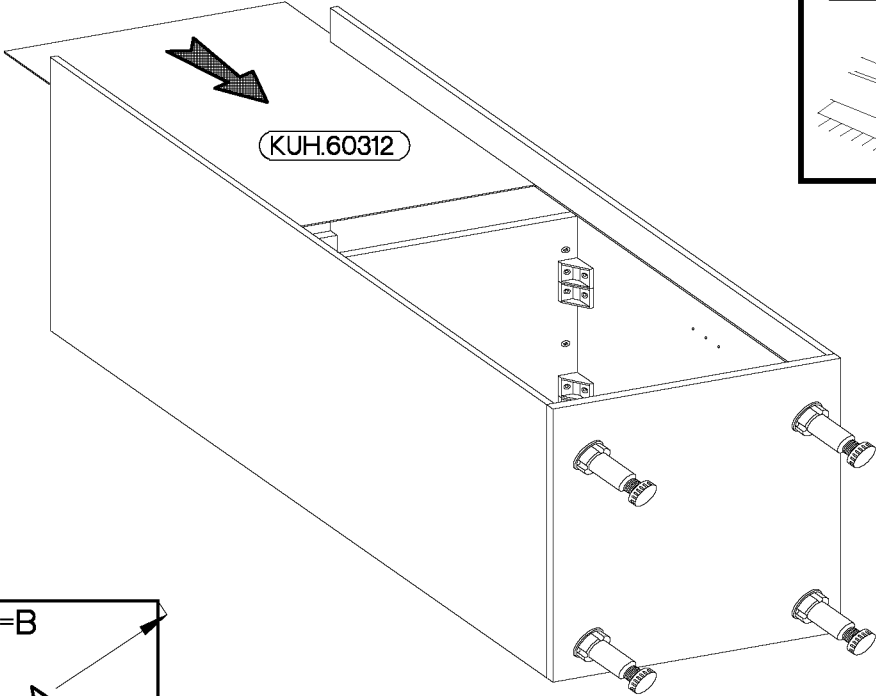
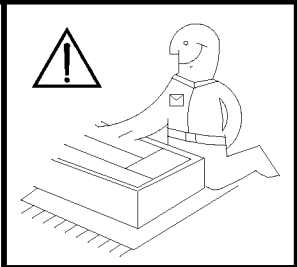


- 
- 
- 


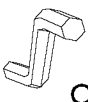
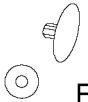


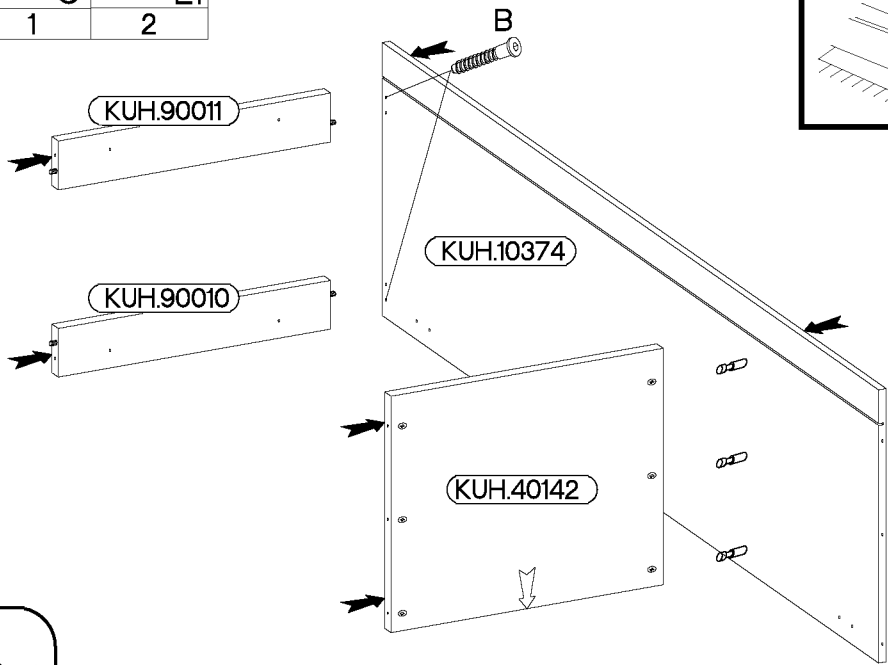
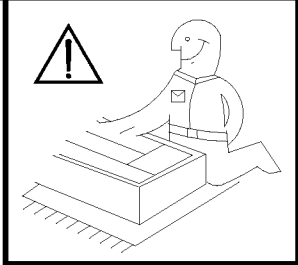
8

3.0x20mm  
P7  
5-6

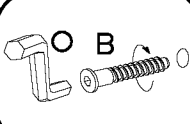



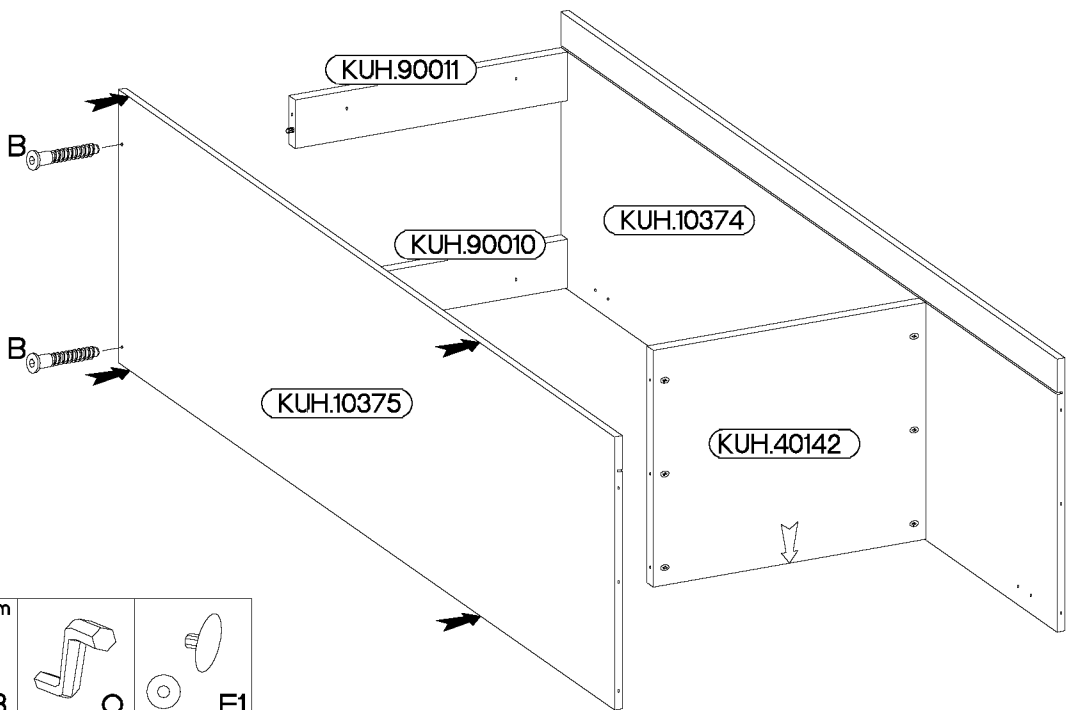
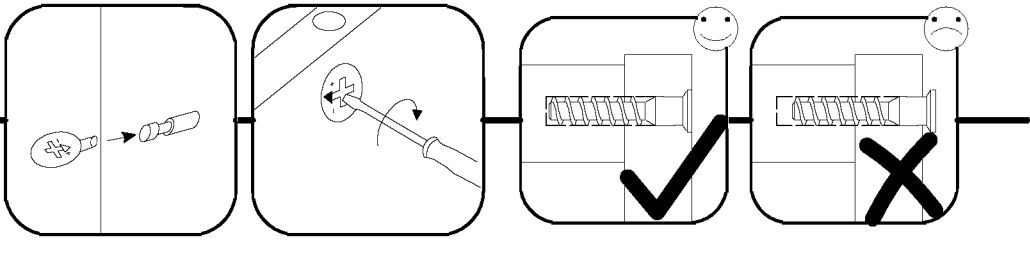
9


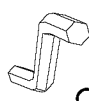

6,4 x 50mm		
		
B	O	E1
2	1	2



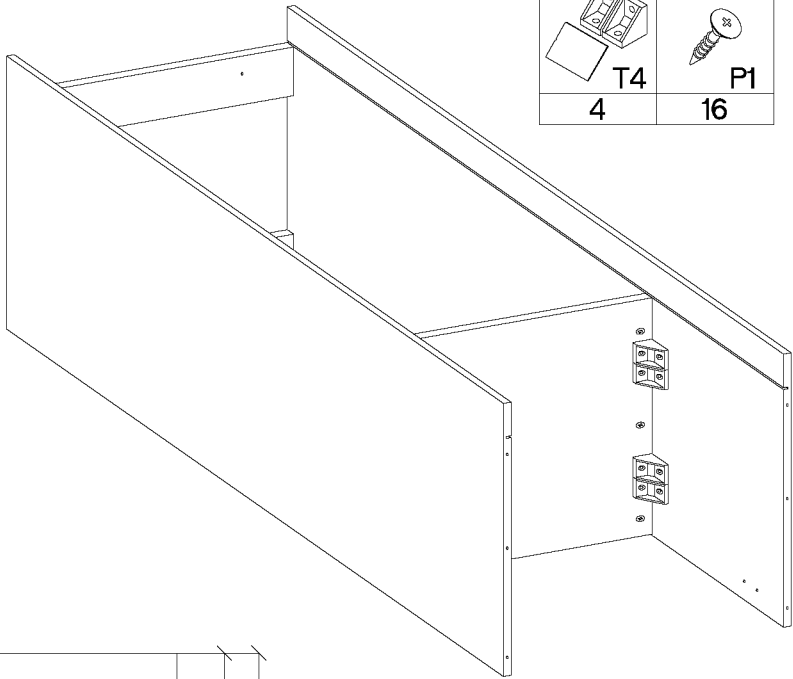
10





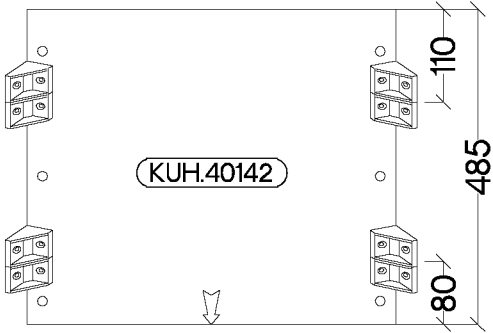
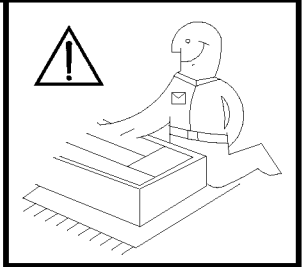


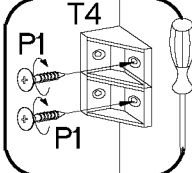
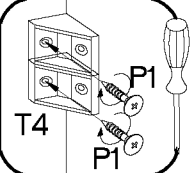
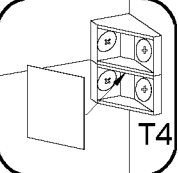
6,4 x 50mm		
		
B	O	E1
2	1	2

11

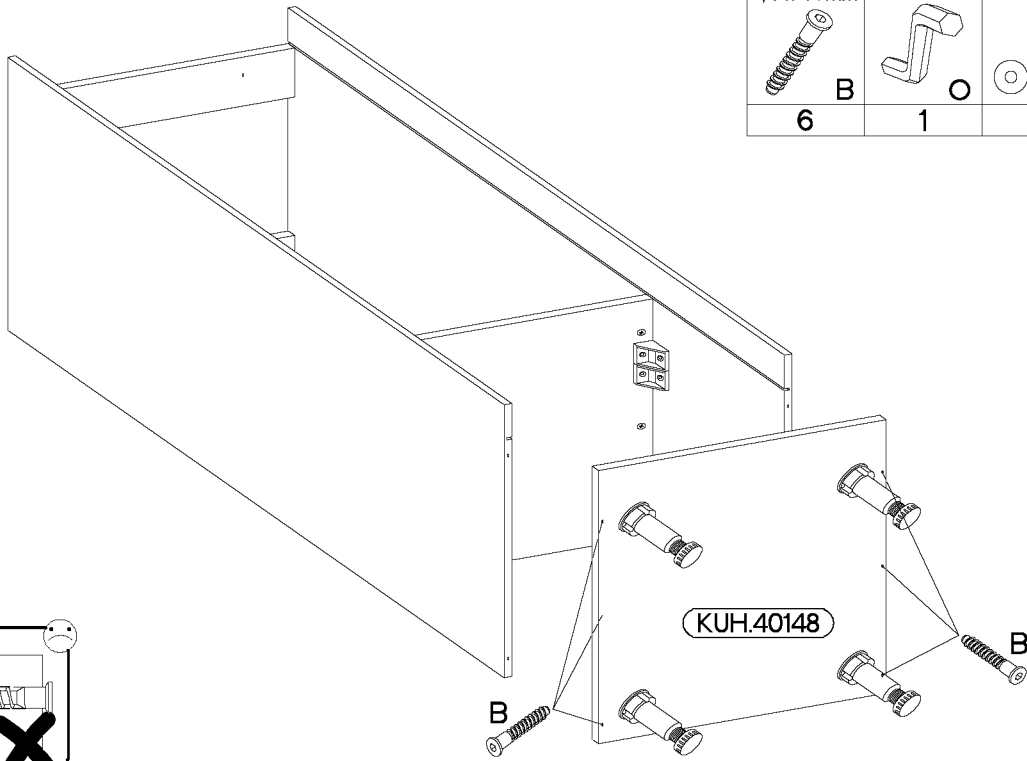





	4.0x16mm
T4	P1
4	16

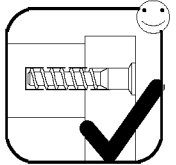
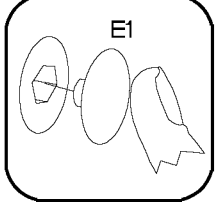
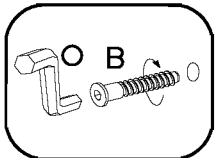


- 
- 
- 

12

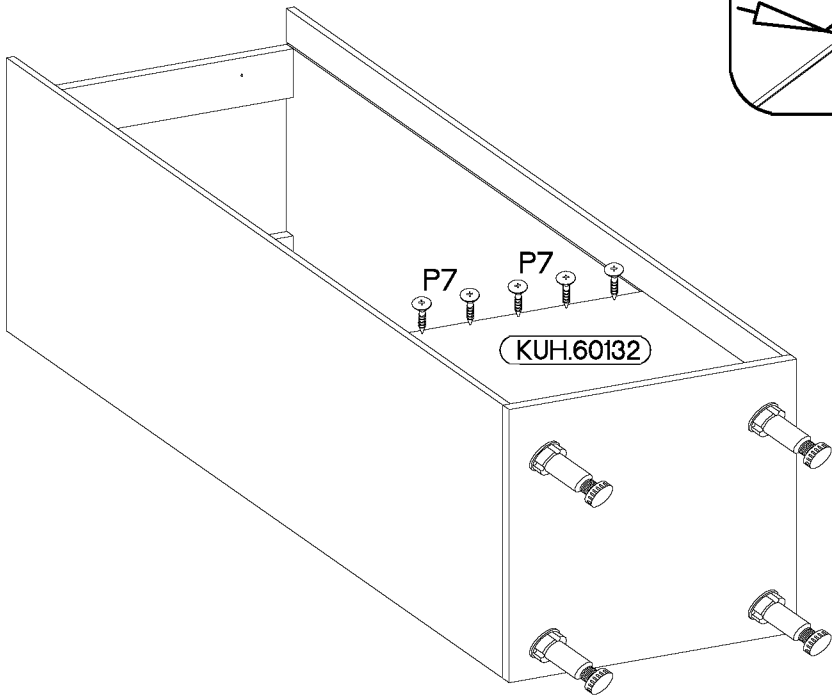
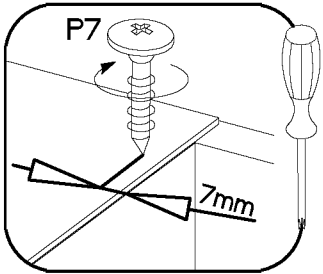
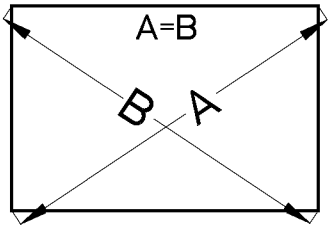
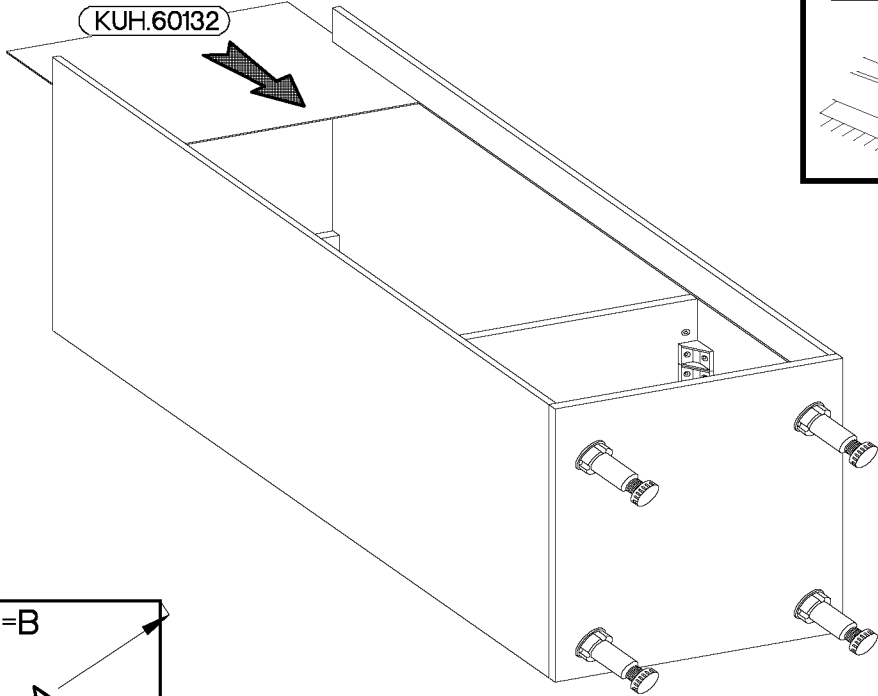
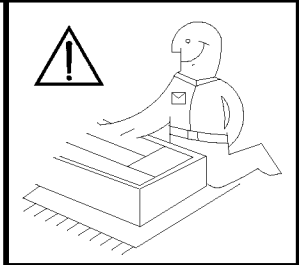


6.4 x 50mm		
		
B	O	E1
6	1	6



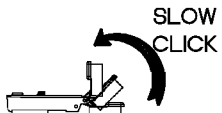
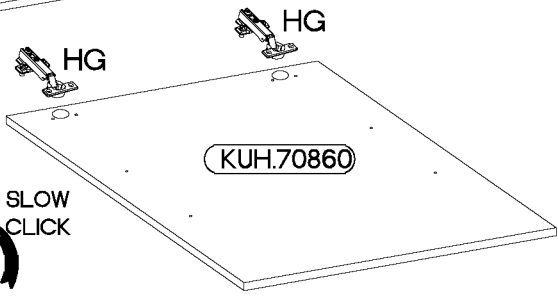
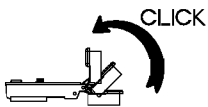
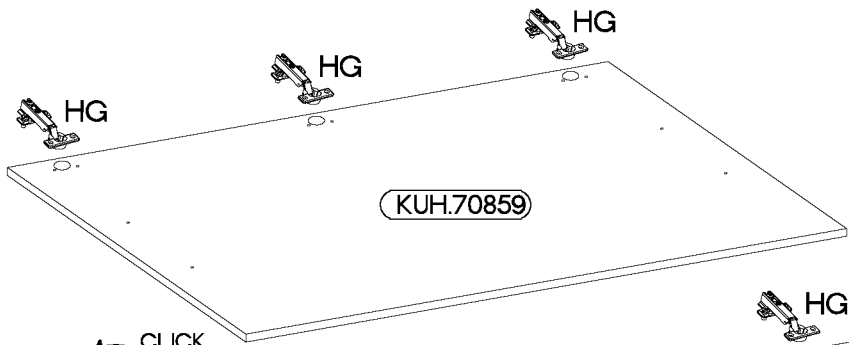
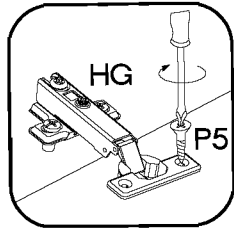
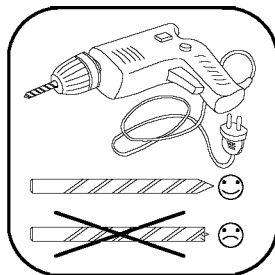
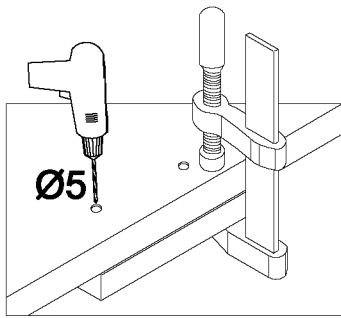
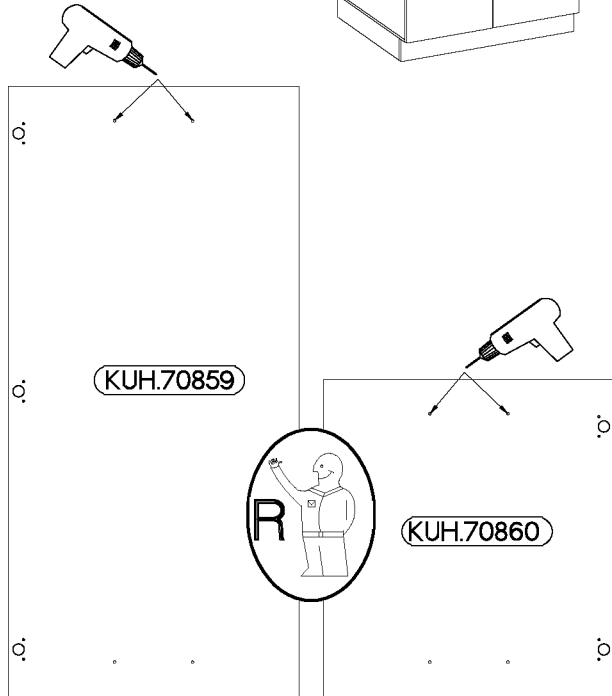
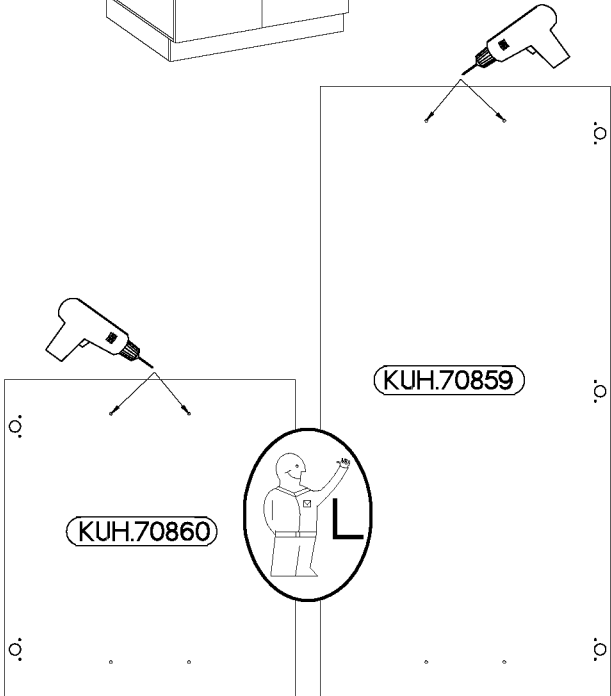
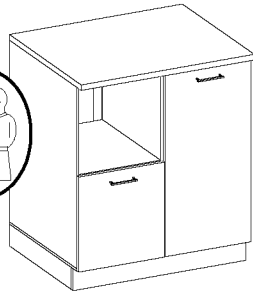
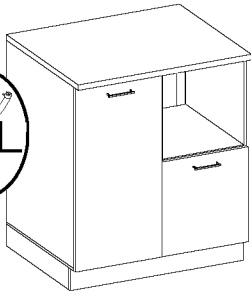
13

3.0x20mm  
P7  
5-6

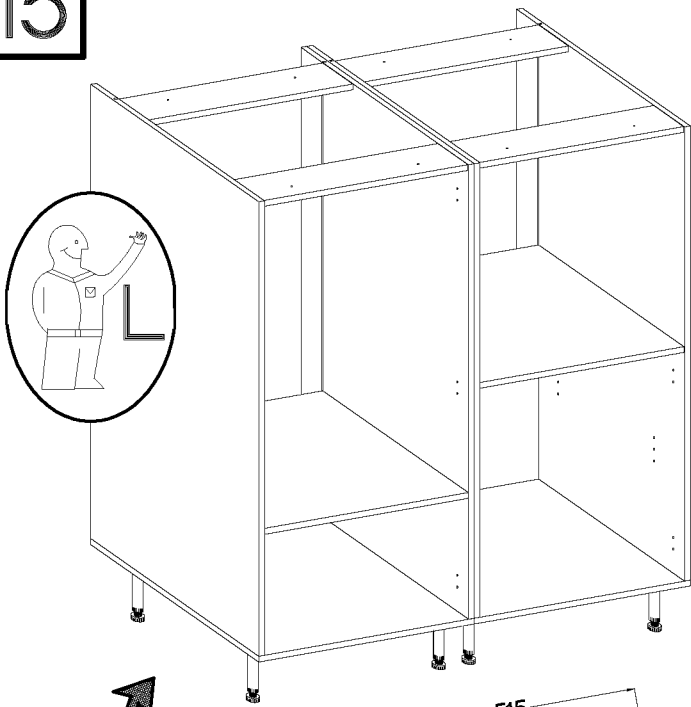


14

$\pm 35/0\text{mm}$ [CD] HG 2	$\pm 35/0\text{mm}$ HG 3	$\pm 3.5 \times 13\text{mm}$ P5 10
-------------------------------------	--------------------------------	--

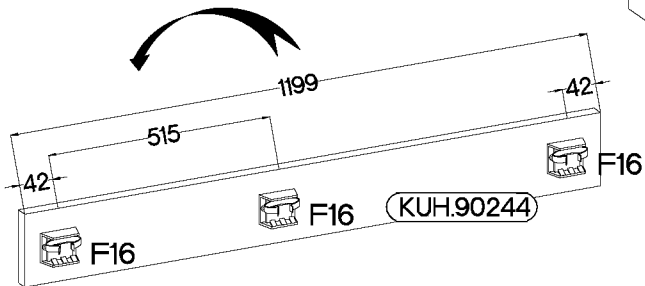
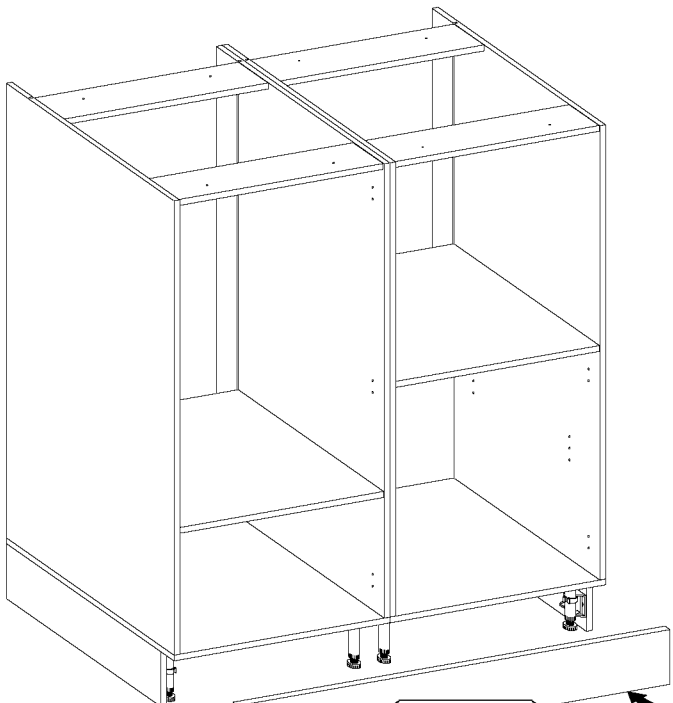
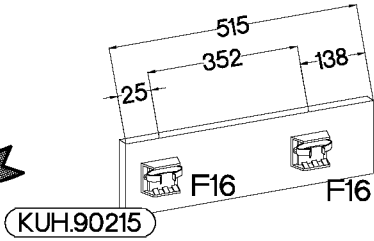


15

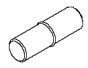




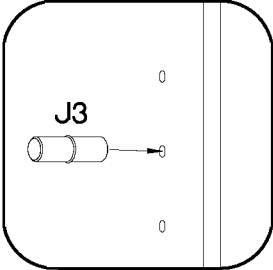
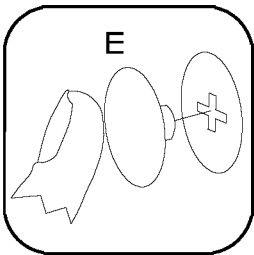
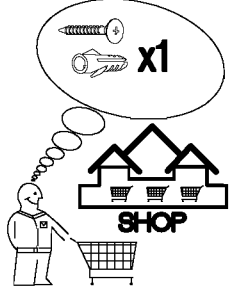
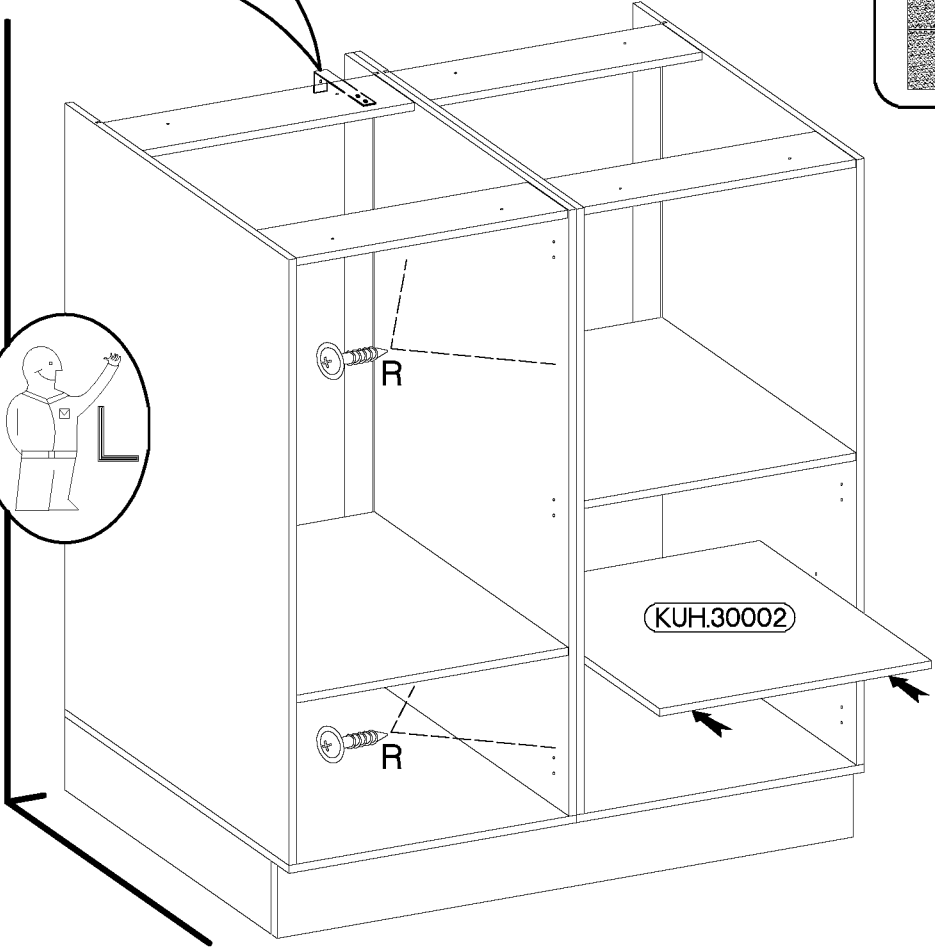
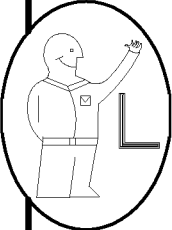
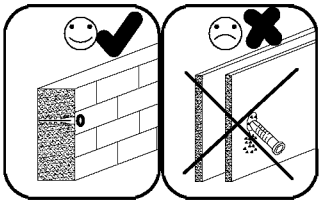
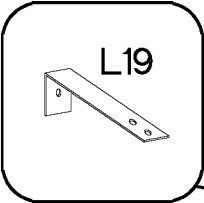
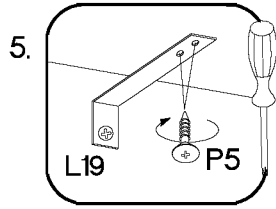
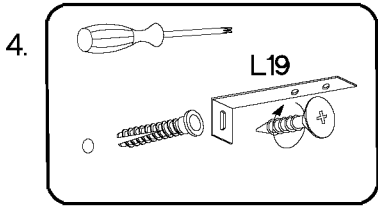
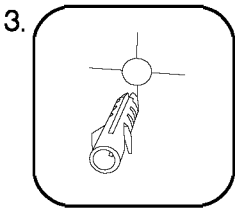
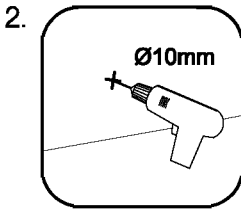
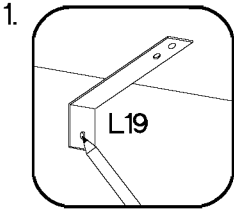
+3.5x13mm		
	P5	F16
	14	7

- 
- 
- 
- 

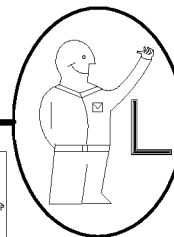
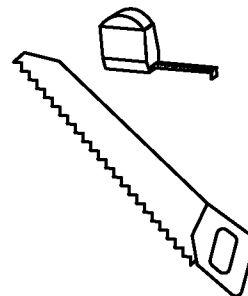
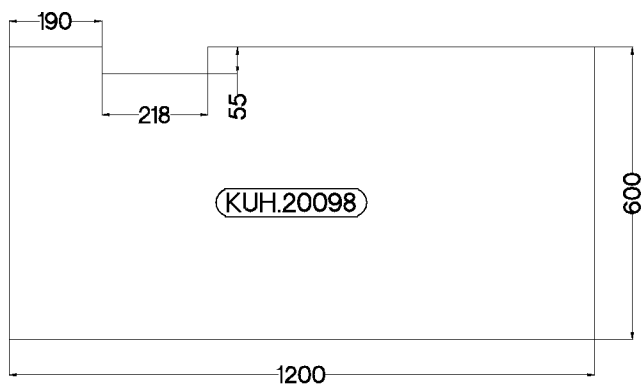


16

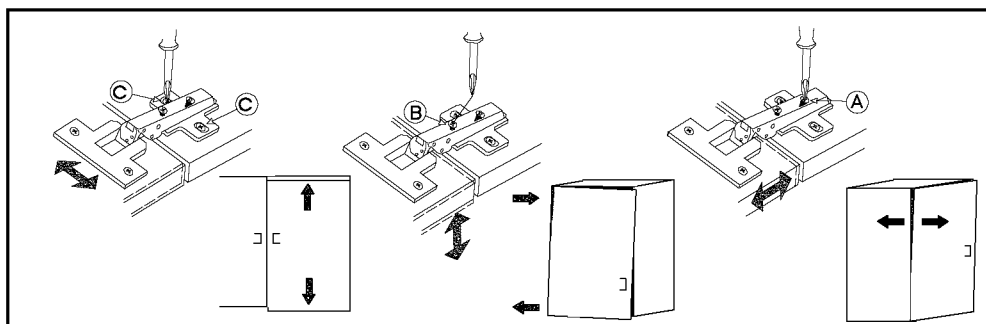
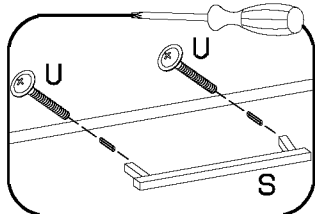
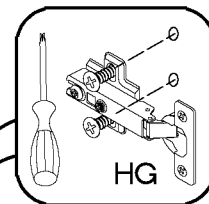
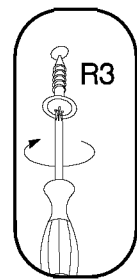
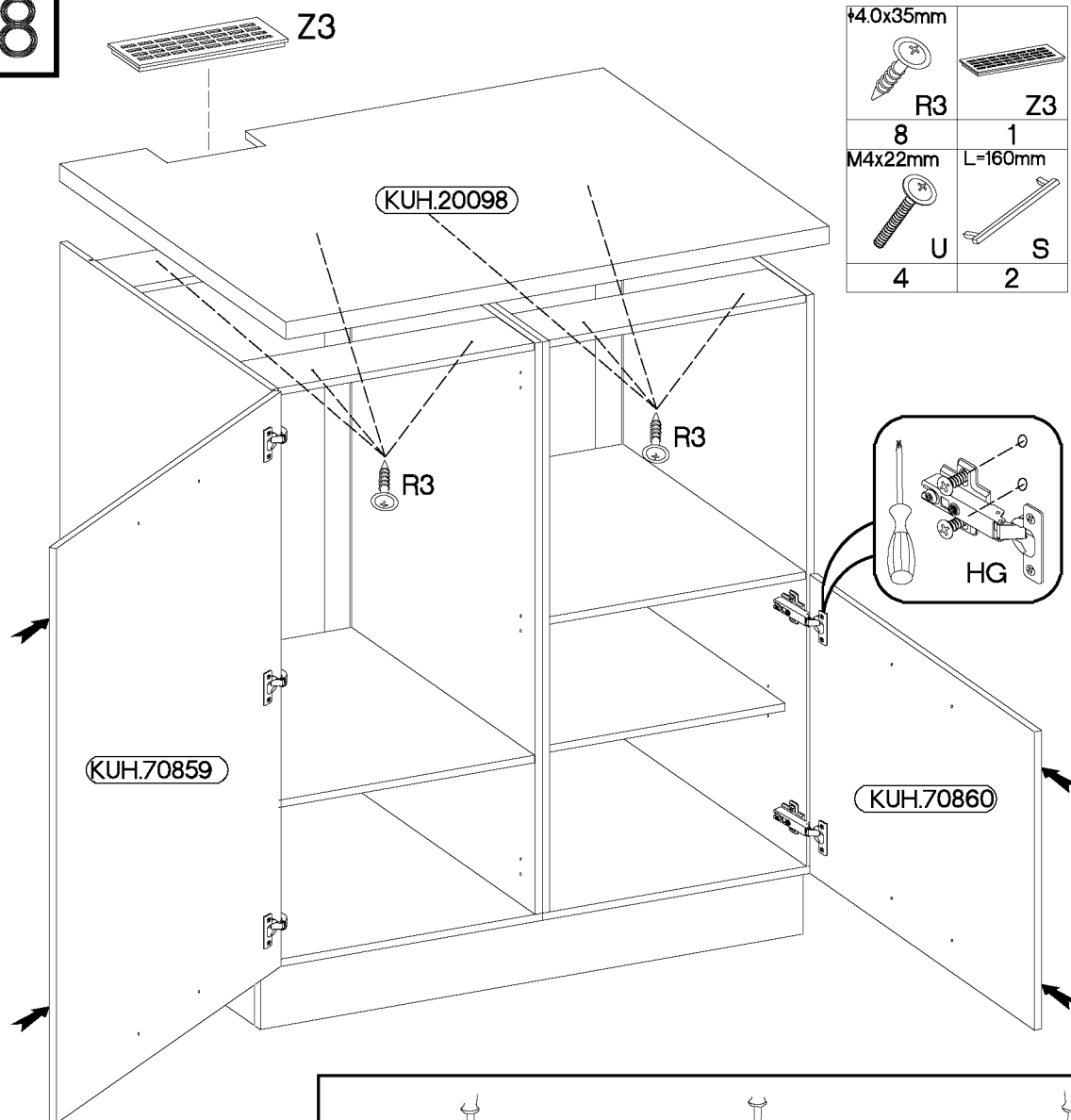
$\pm 5/16$ mm  J3 4	 E 12	$\pm 4.0 \times 25$ mm  R 4
---	--	---



17



18





19

3.5x13mm



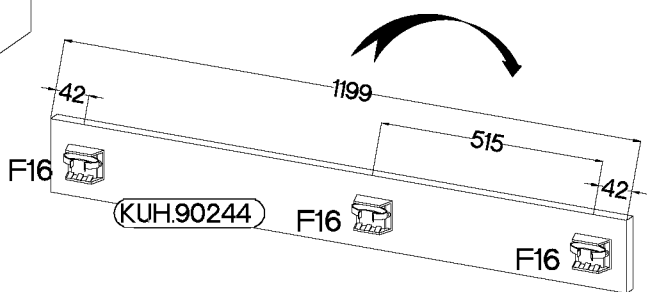
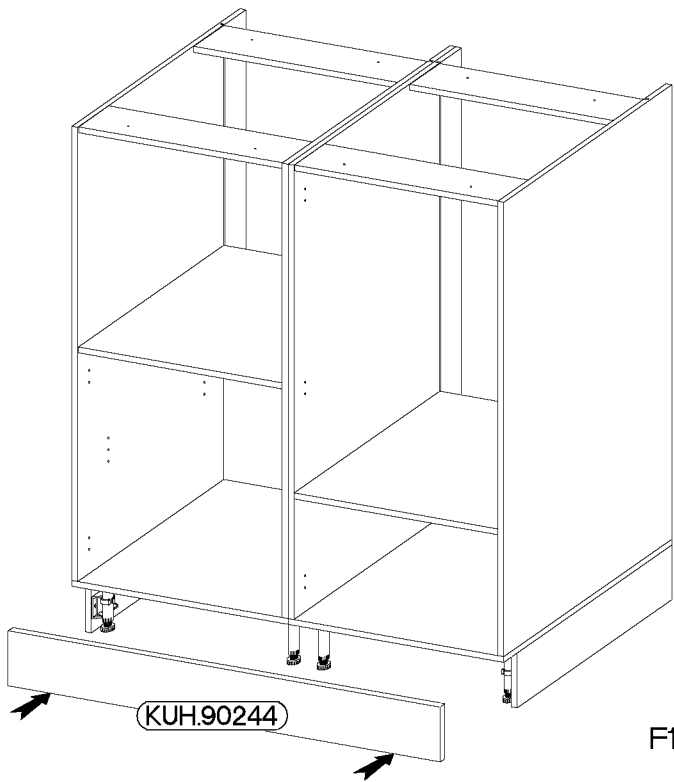
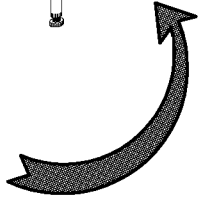
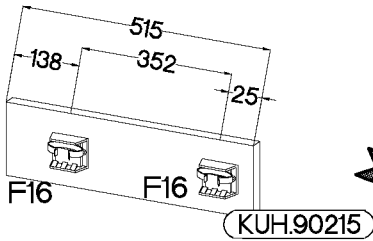
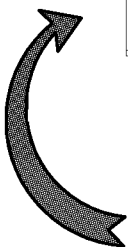
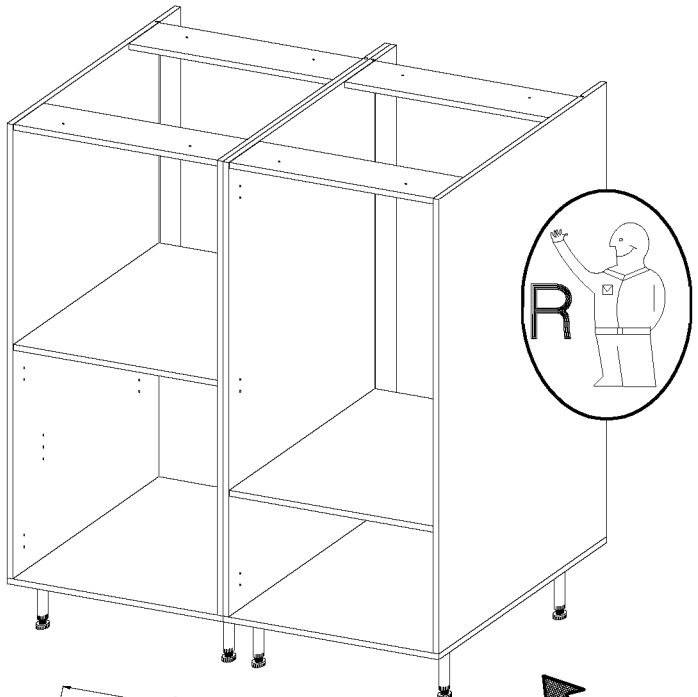
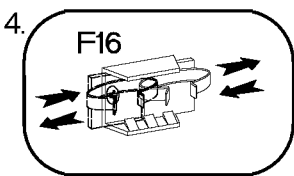
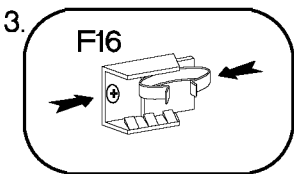
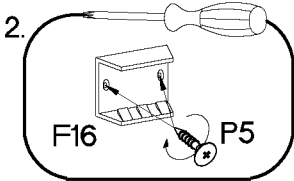
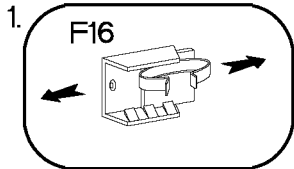
P5

14

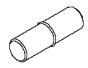




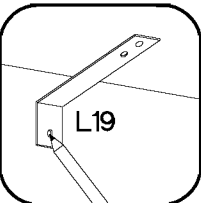
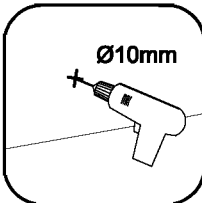
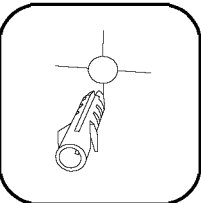
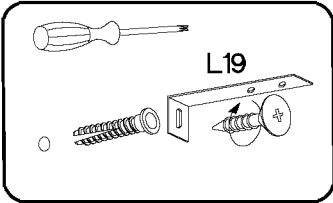
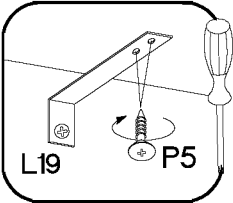
F16

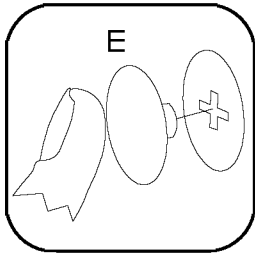
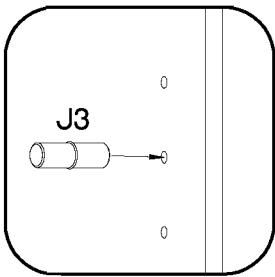
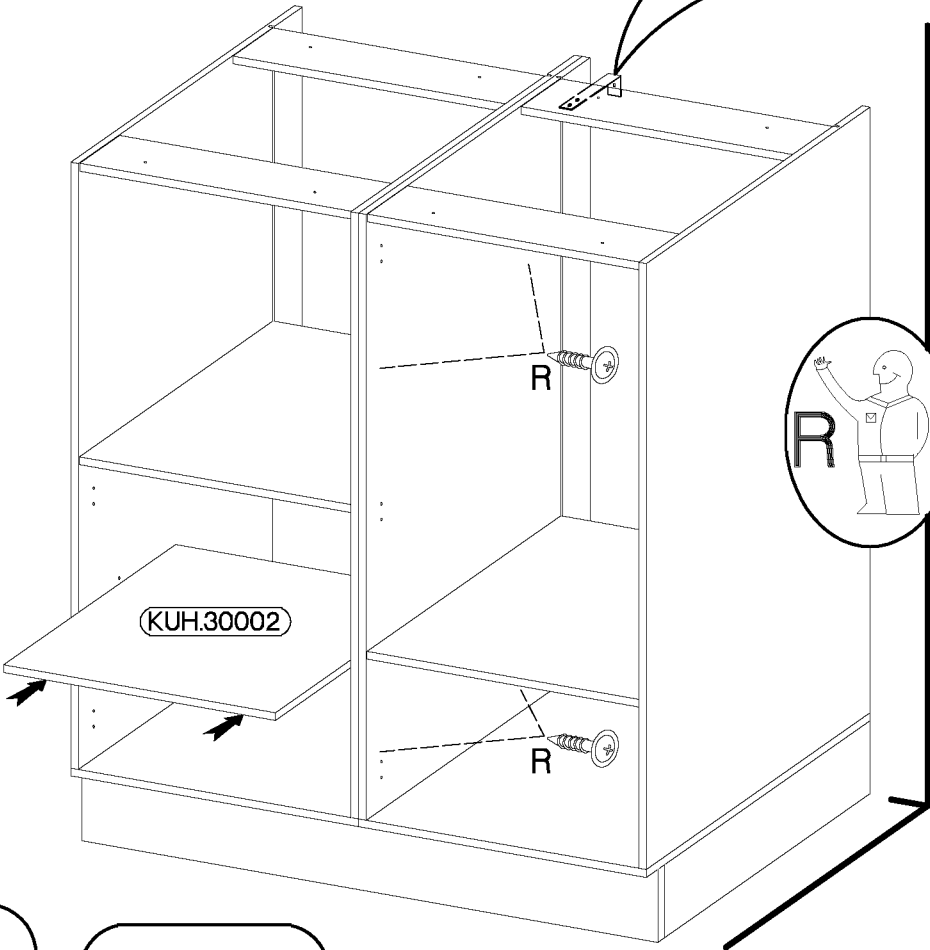
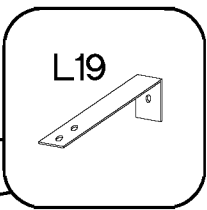
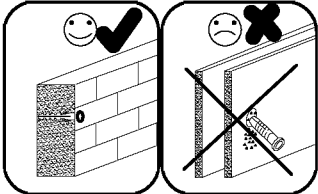
7



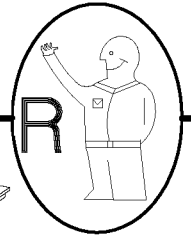
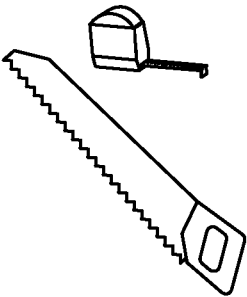
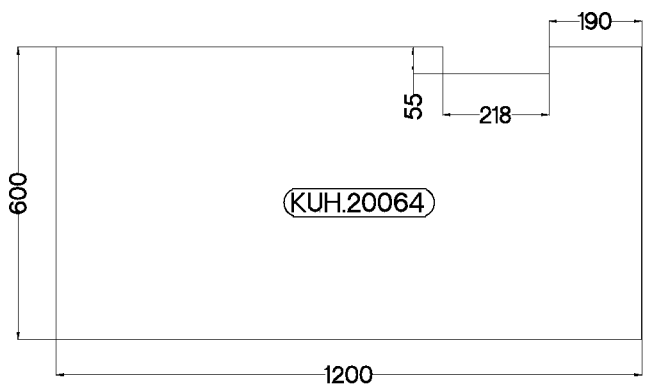
20

+5/16mm  J3 4	 E 12	+4.0x25mm  R 4
---	--	--

- 
- 
- 
- 
- 

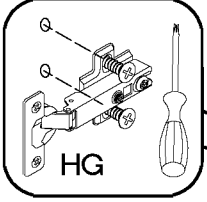
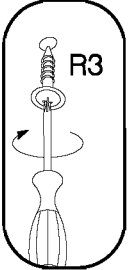


21

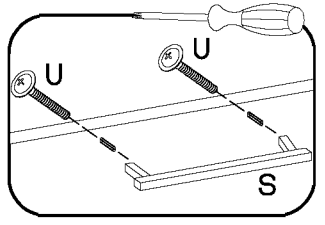
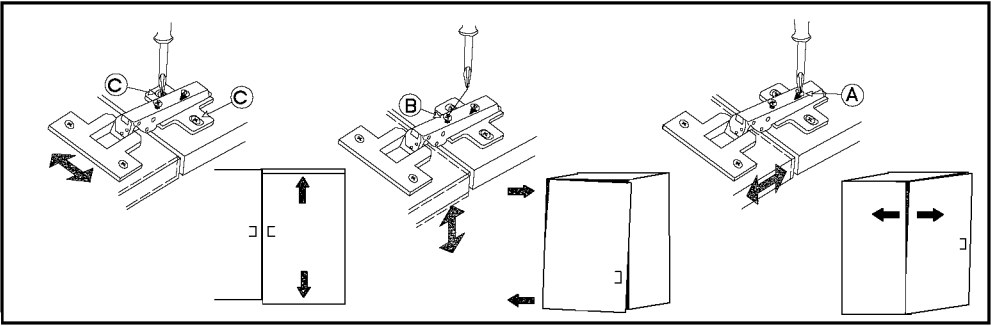
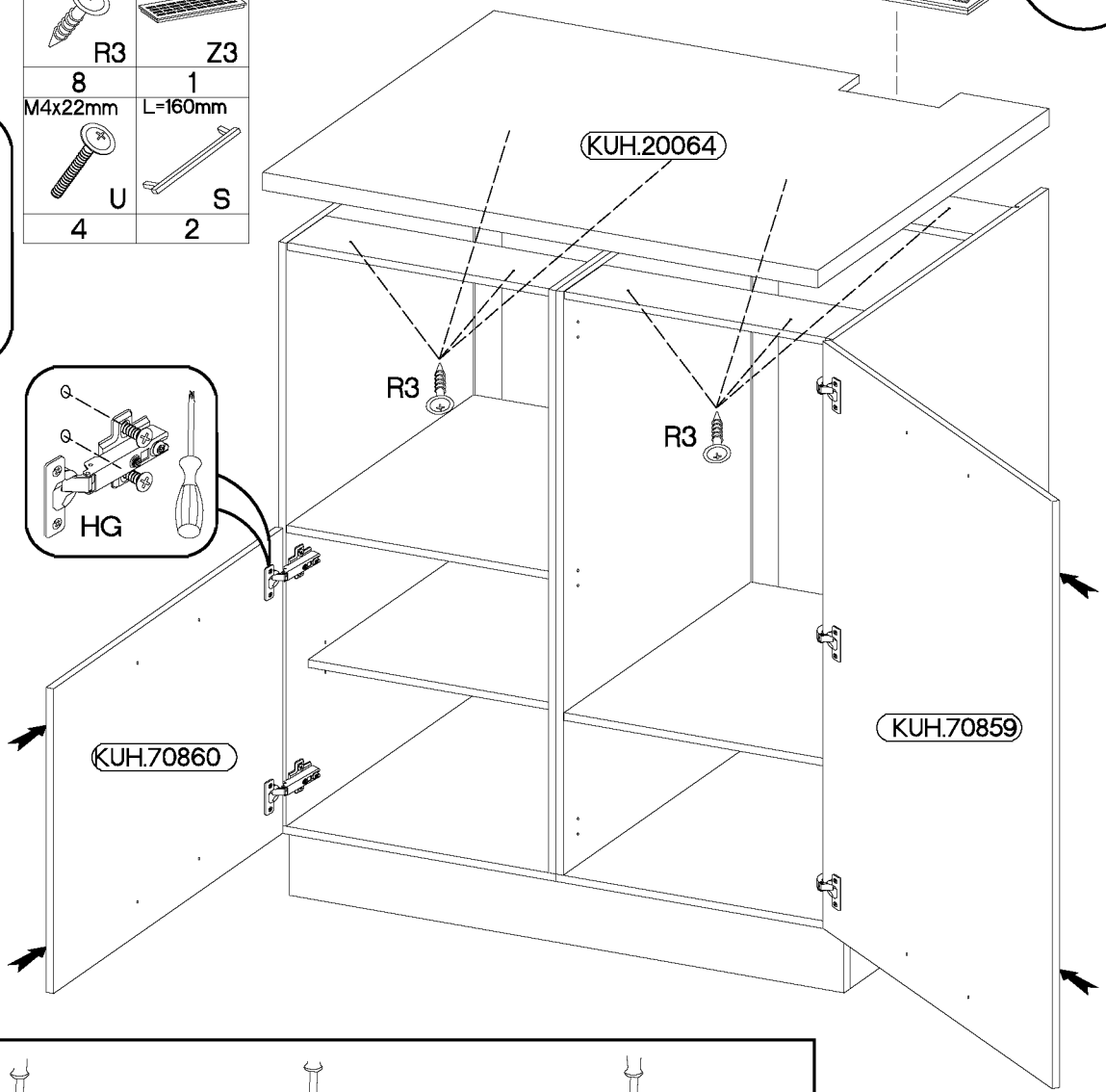


22




+4.0x35mm R3	Z3
8 M4x22mm U	1 L=160mm S
4	2

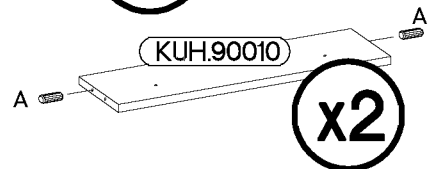
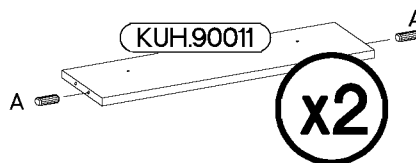
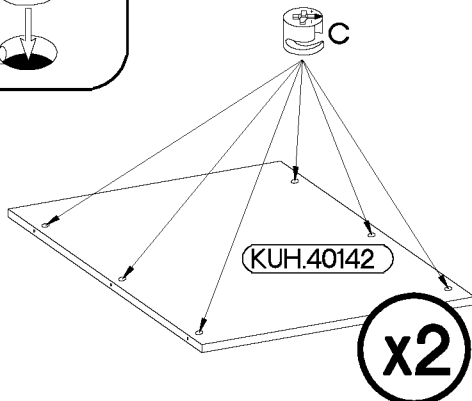
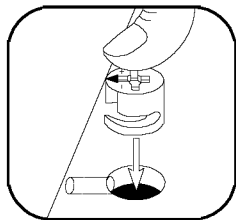
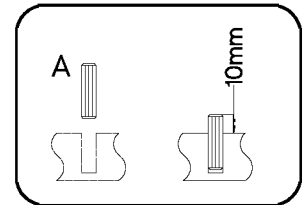
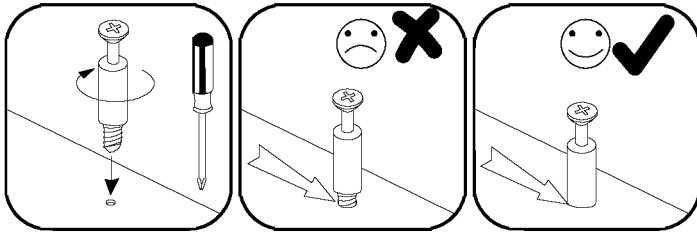
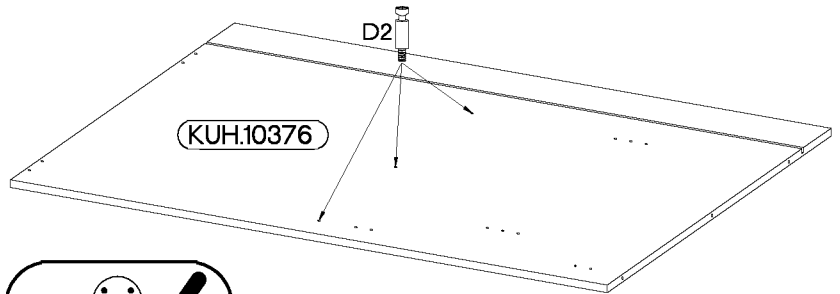
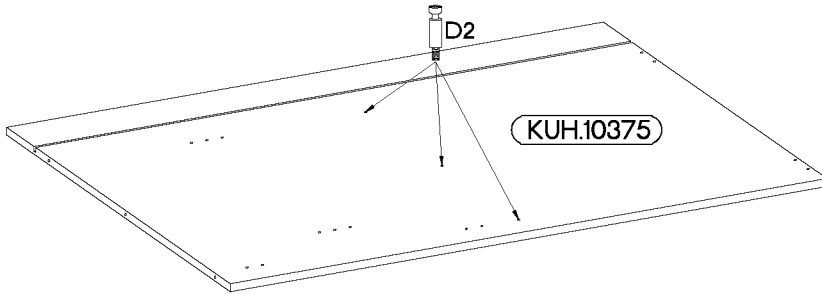
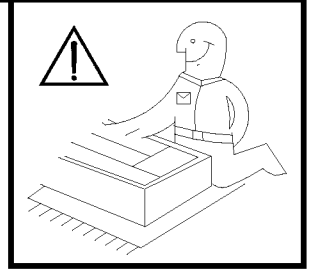


Z3


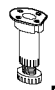


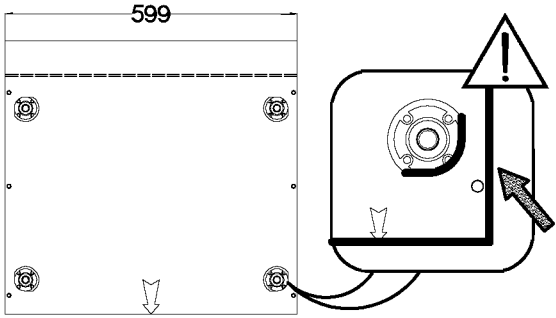
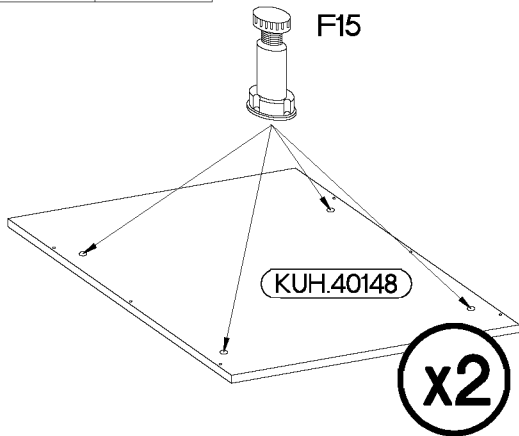
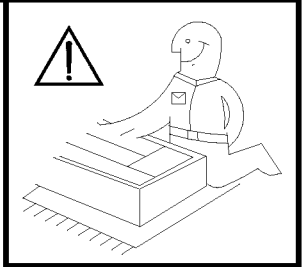
## 23

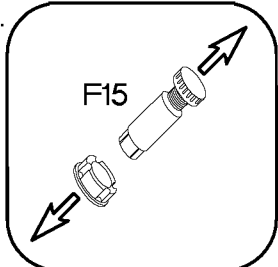
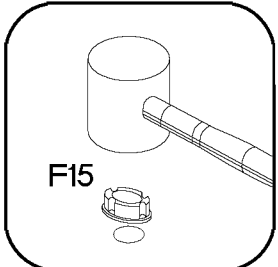
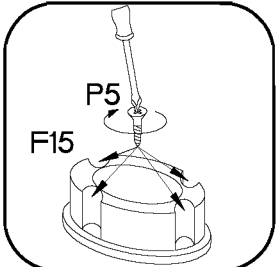
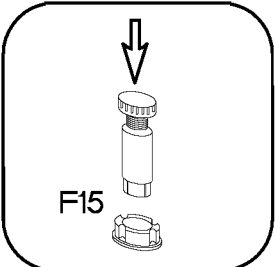
L=20mm  D2 12	†8x30mm  A 8	†15/12mm  C 12
---	--	--




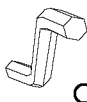

24

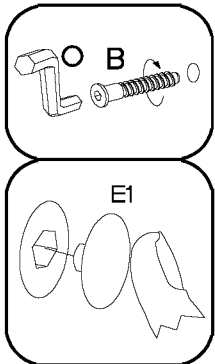
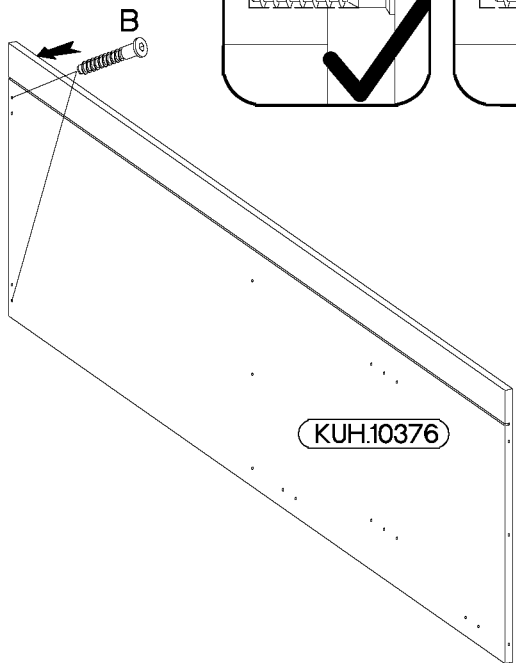
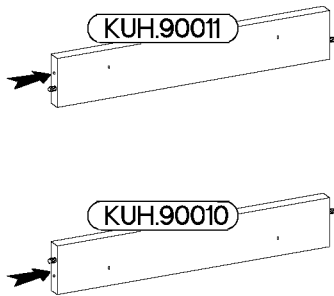
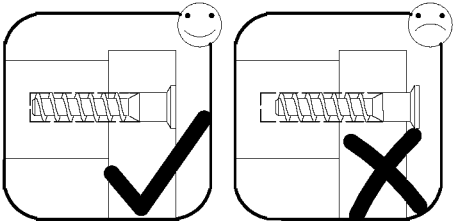
±3.5x13mm	
	
P5	F15
32	8






- 
- 
- 
- 

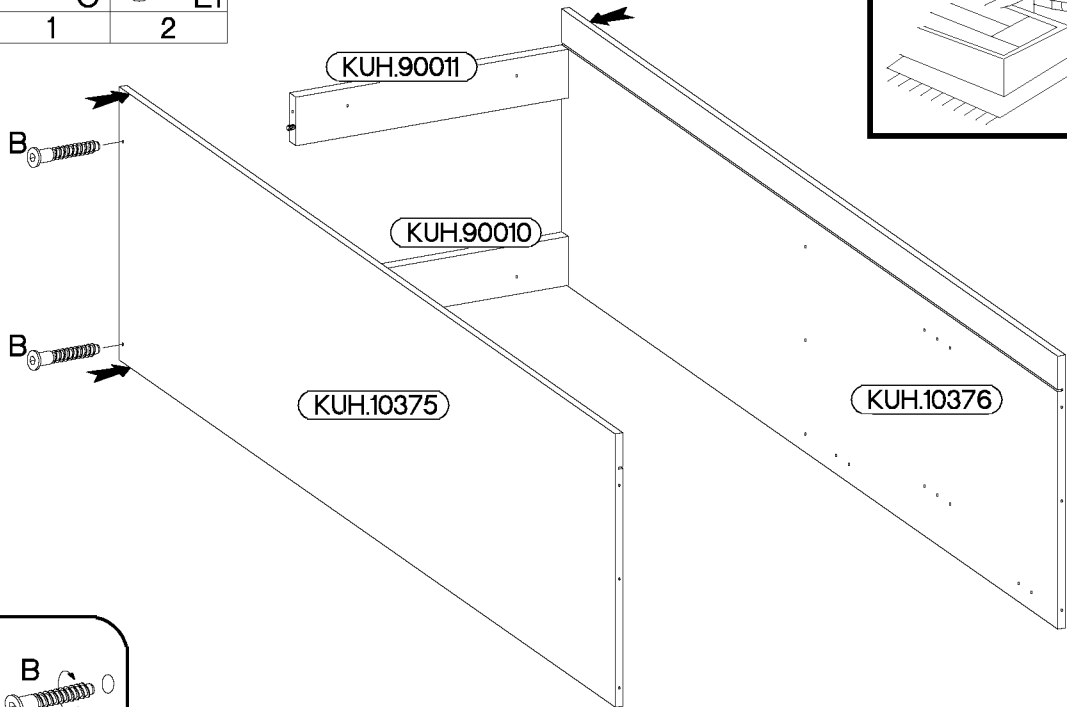
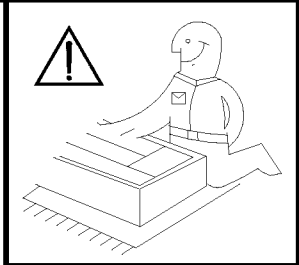
25

6,4 x 50mm		
		
B	O	E1
2	1	2

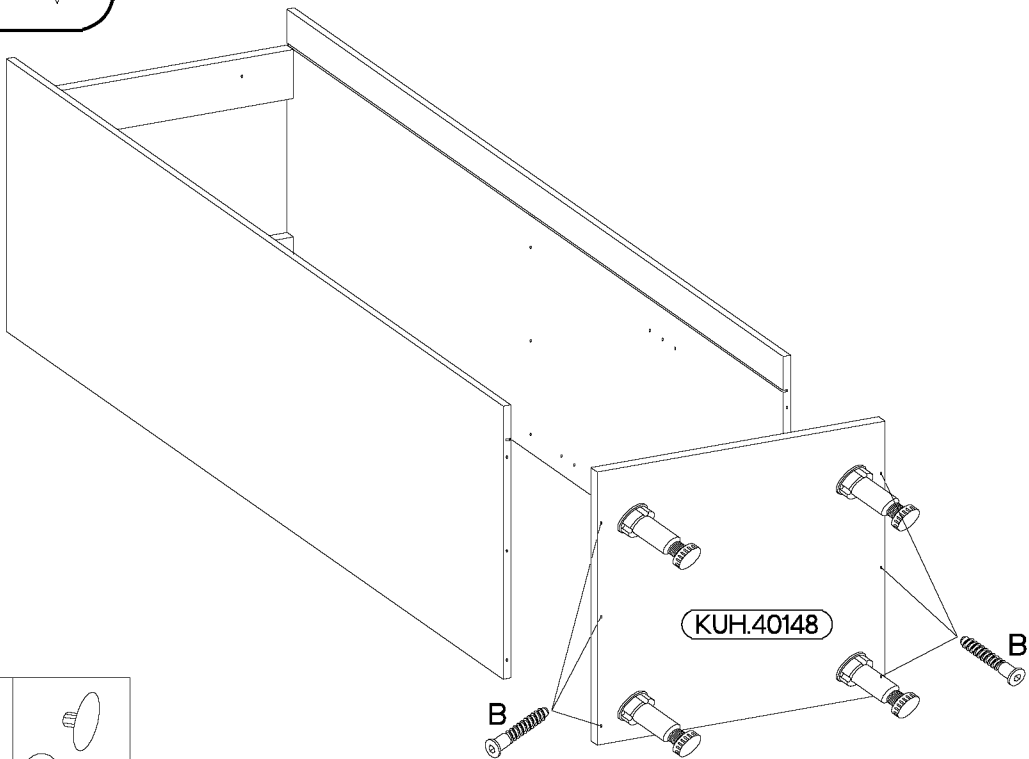
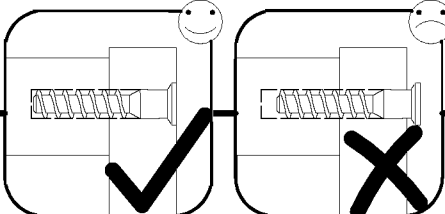
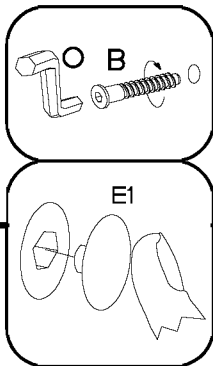



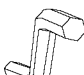
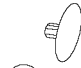
26

6,4 x 50mm		
		
B	O	E1
2	1	2

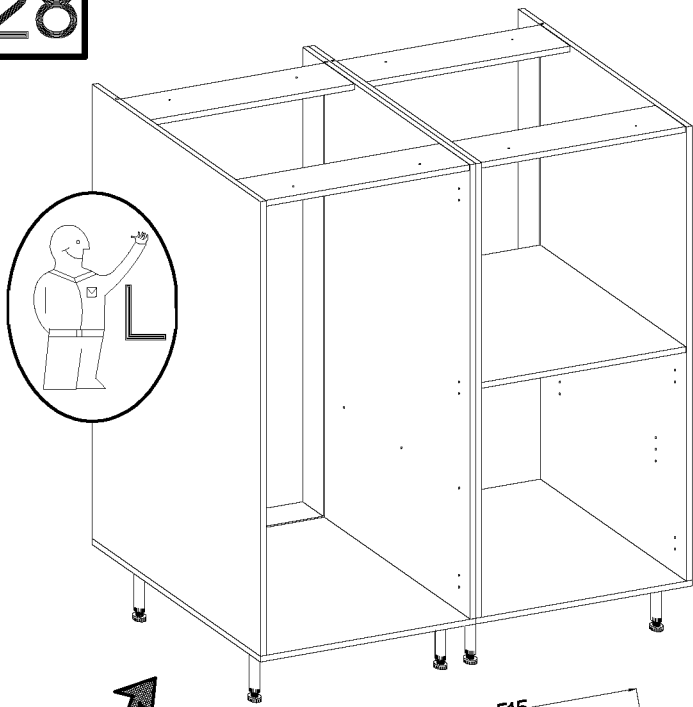


27



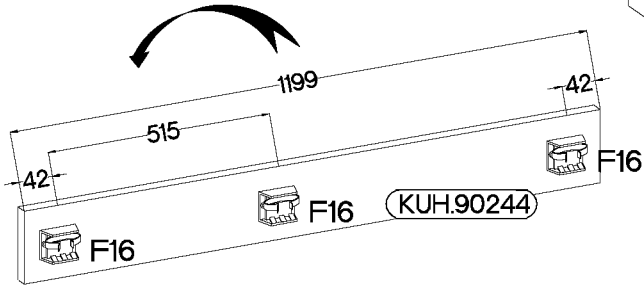
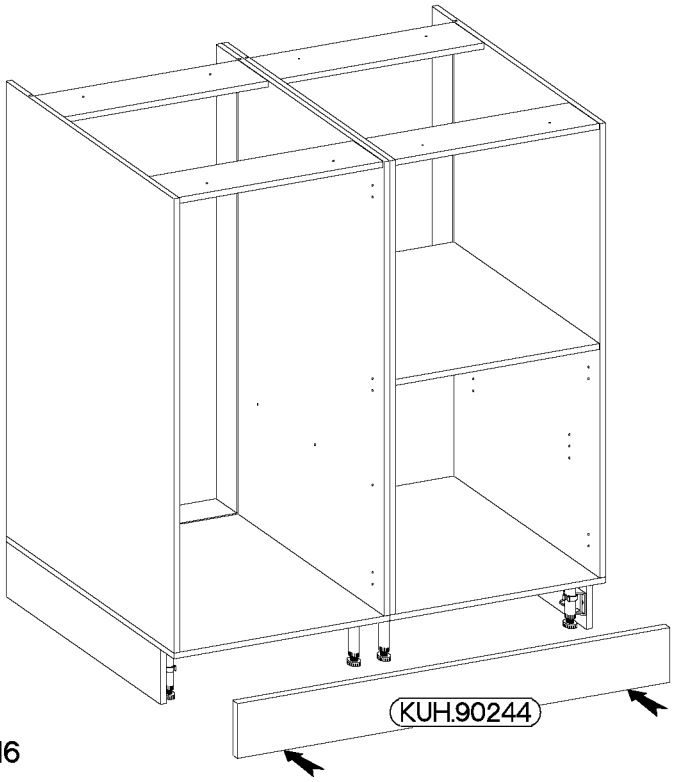
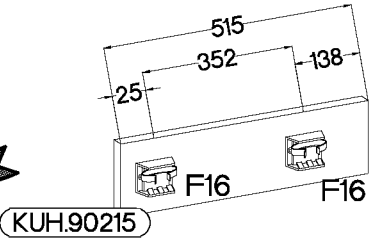
6,4 x 50mm		
		
B	O	E1
6	1	6

28



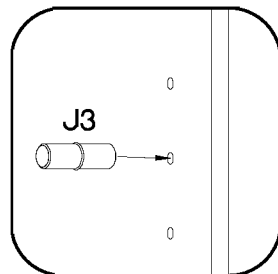
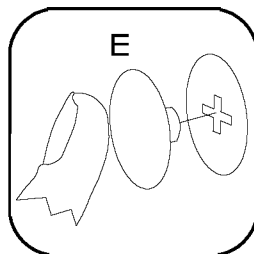
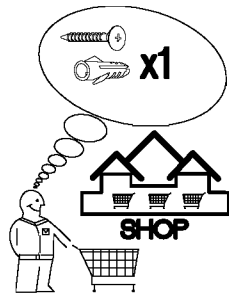
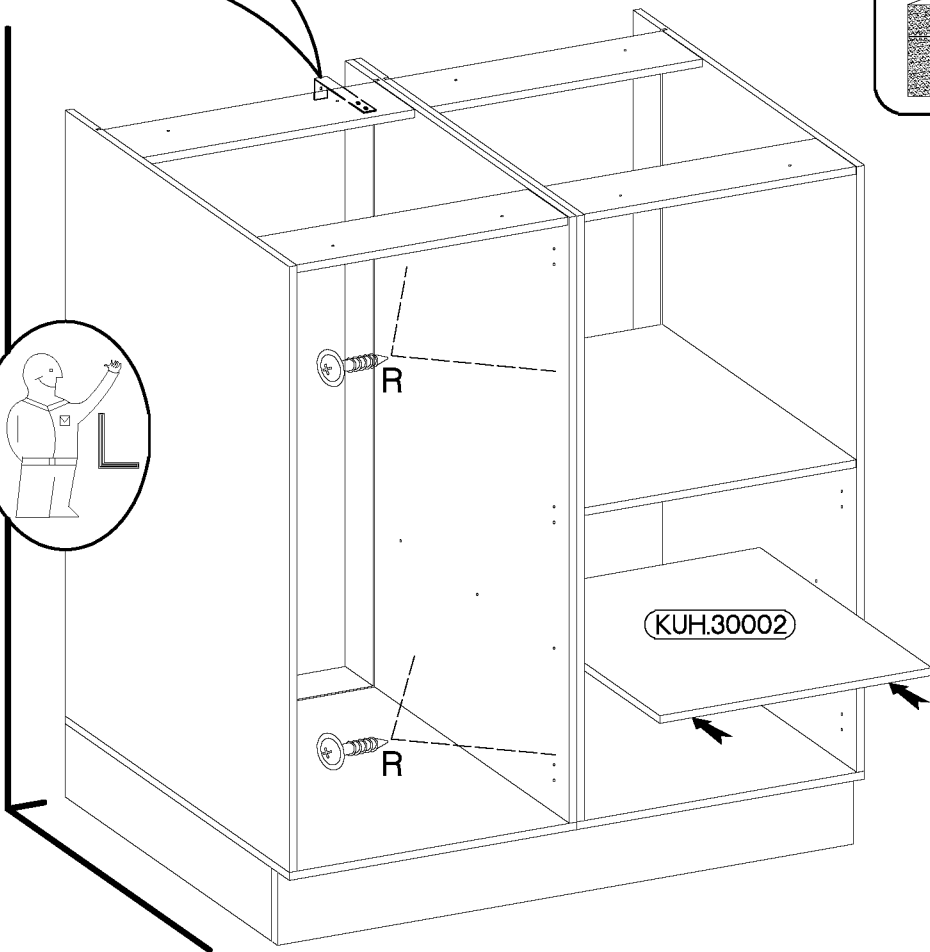
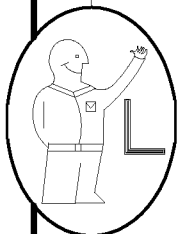
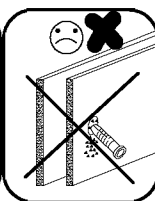
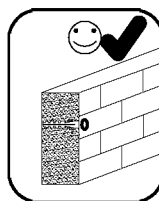
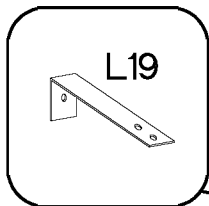
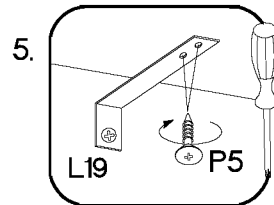
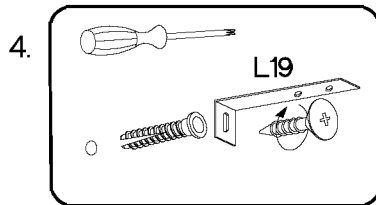
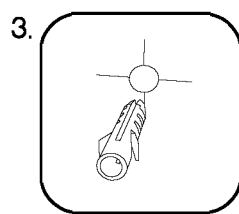
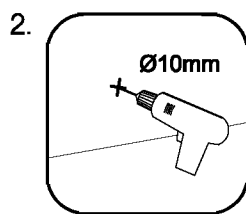
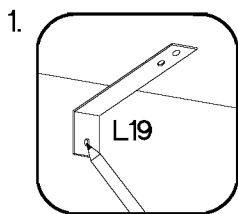
+3.5x13mm		
	P5	F16
	14	7

- 
- 
- 
- 



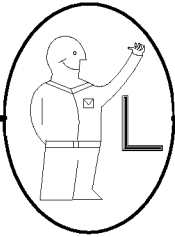
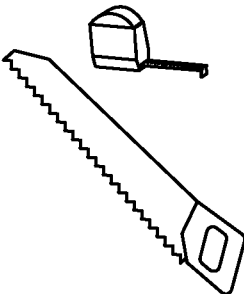
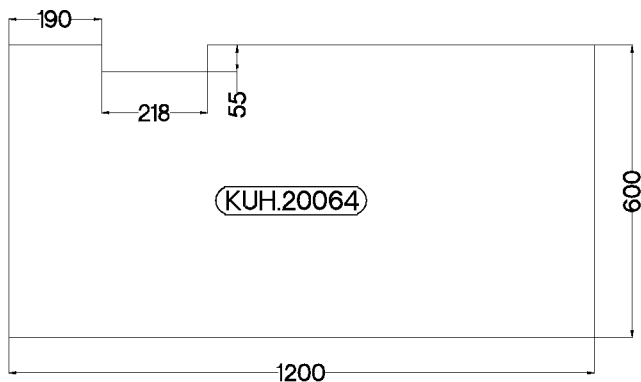
29

±5/16mm J3 4	E 12	±4.0x25mm R 4
--------------------	---------	---------------------

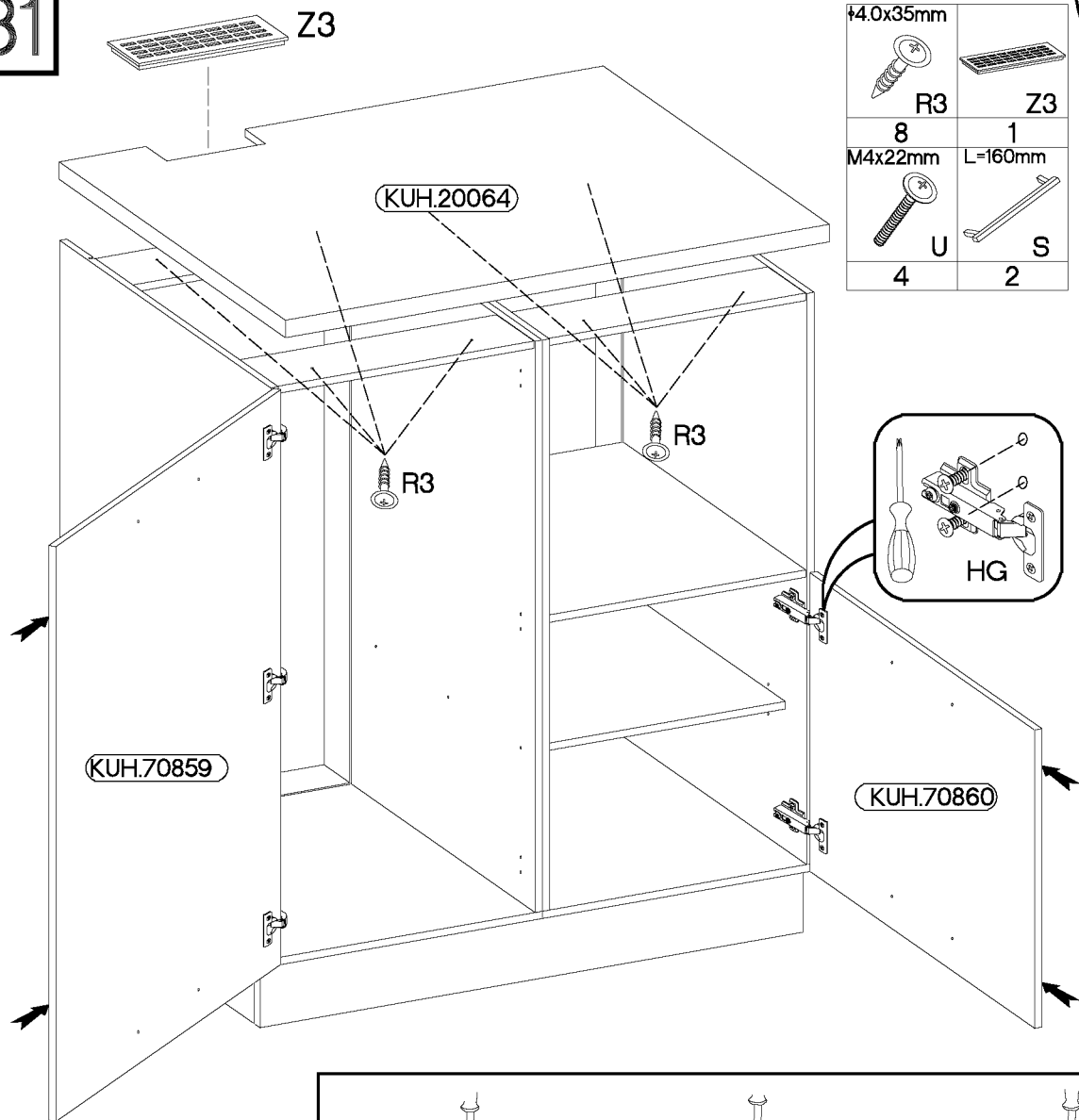




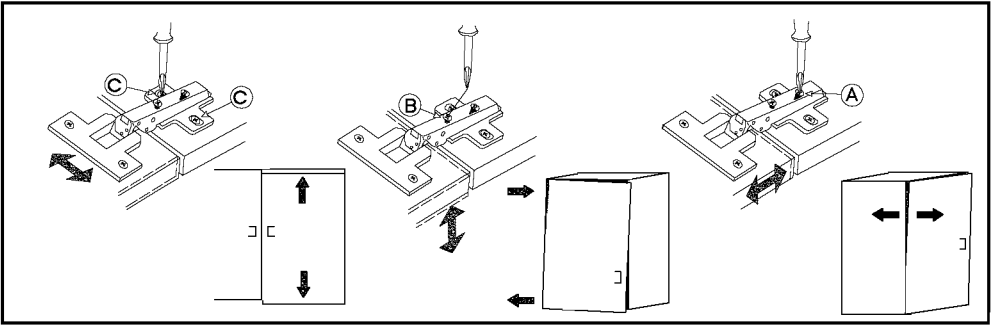
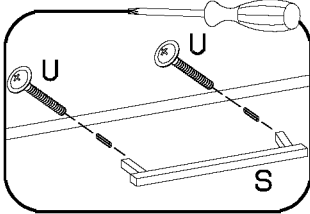
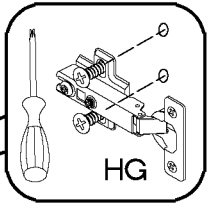
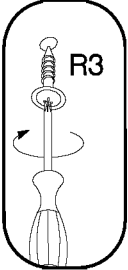
30



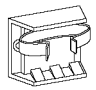

31

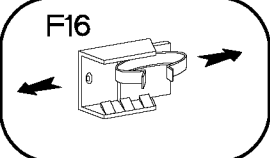
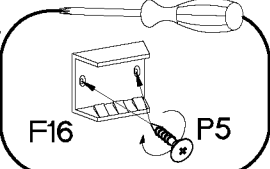
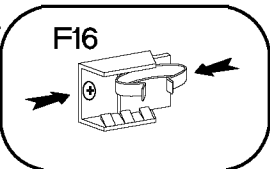
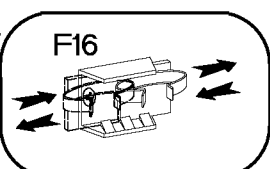


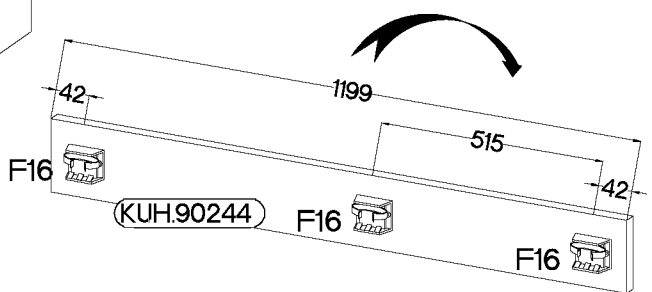
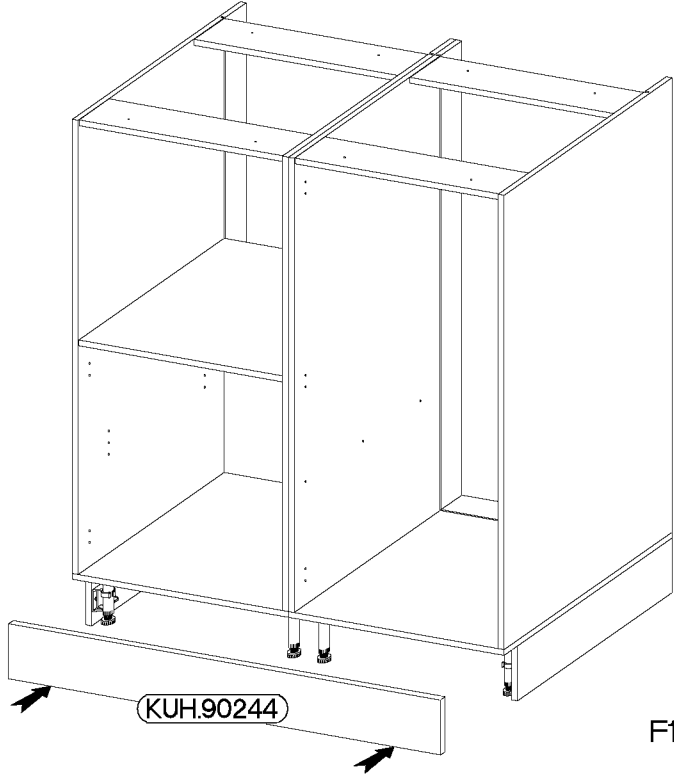
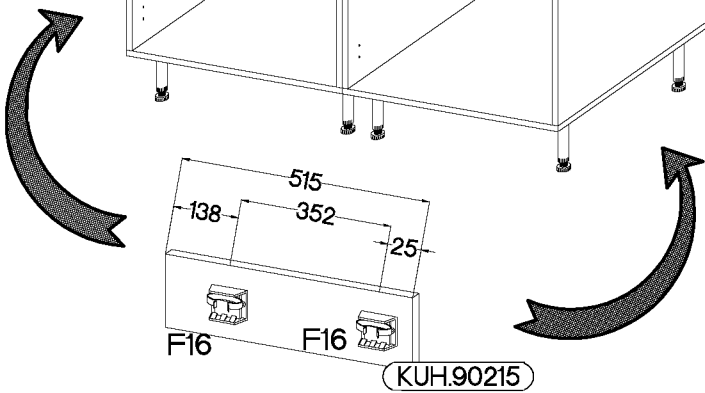
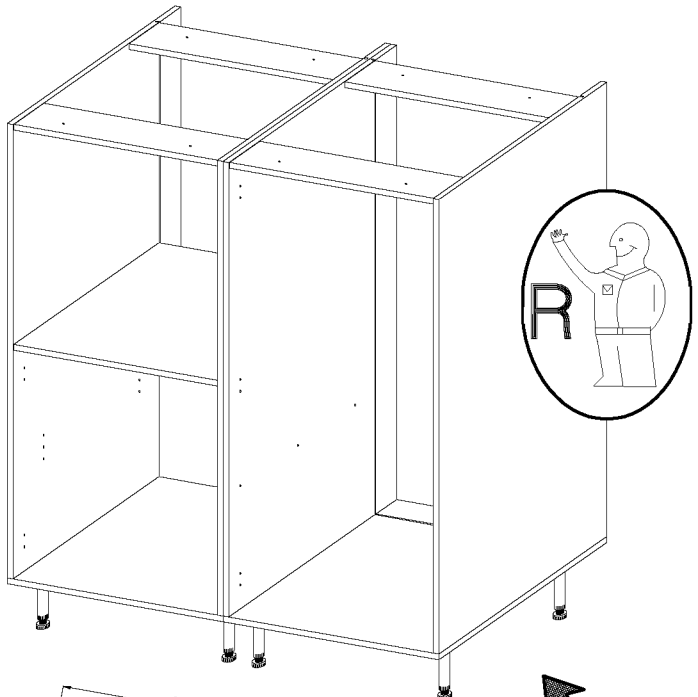
+4.0x35mm	
R3	Z3
8	1
M4x22mm	L=160mm
U	S
4	2



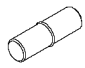


32

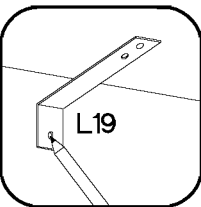
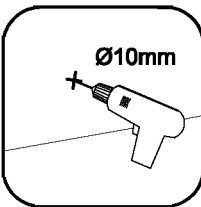
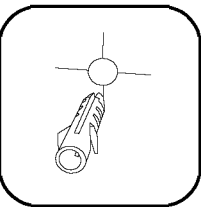
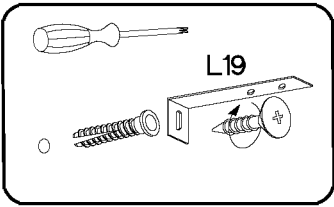
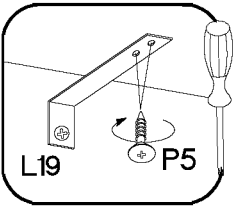
±3.5x13mm	
	F16
14	7

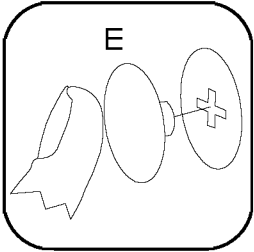
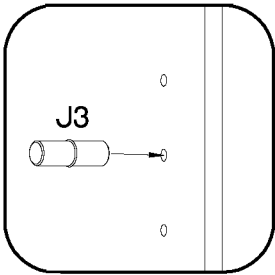
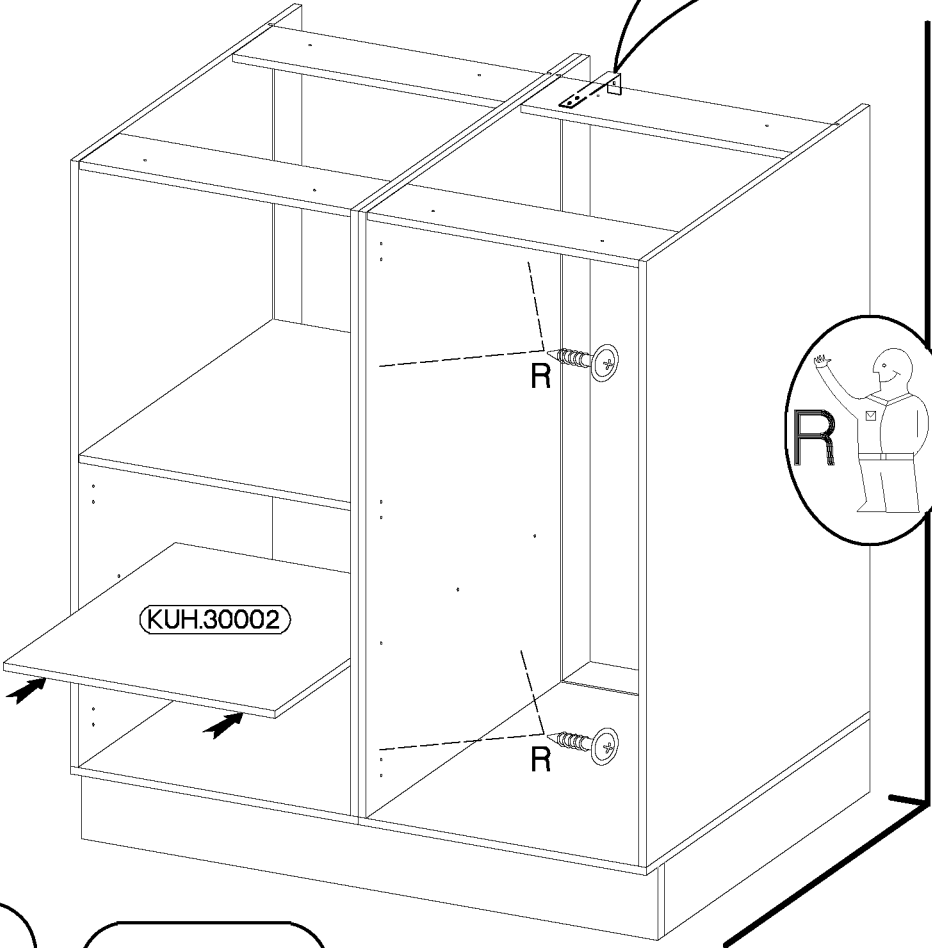
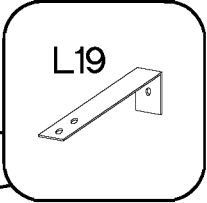
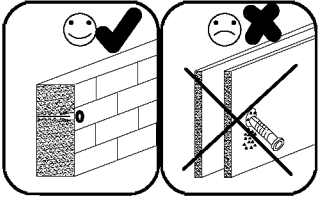
- 
- 
- 
- 



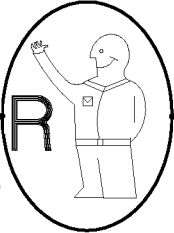
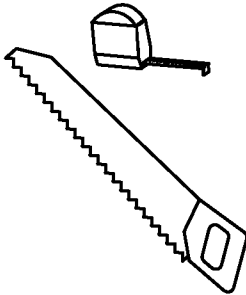
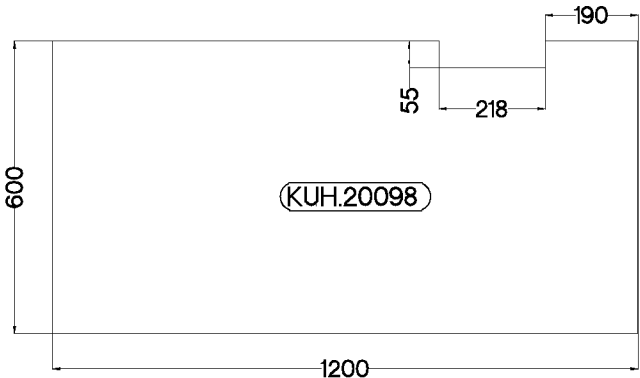
33

+5/16mm  J3 4	 E 12	+4.0x25mm  R 4
---	--	--

- 
- 
- 
- 
- 

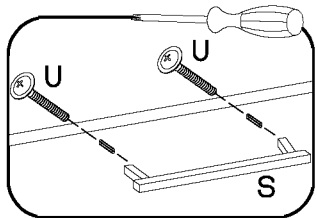
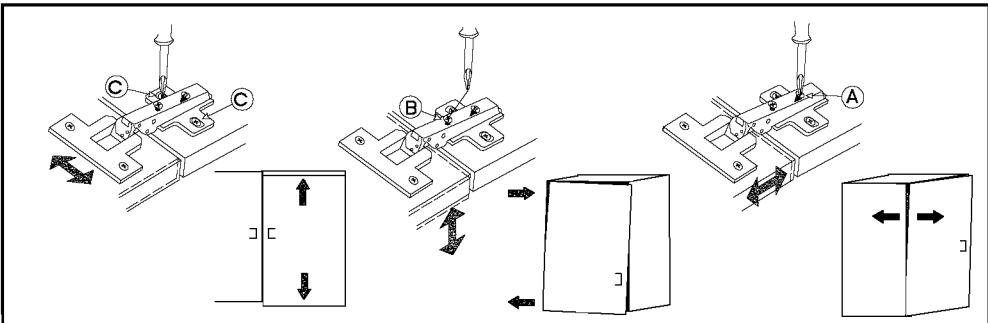
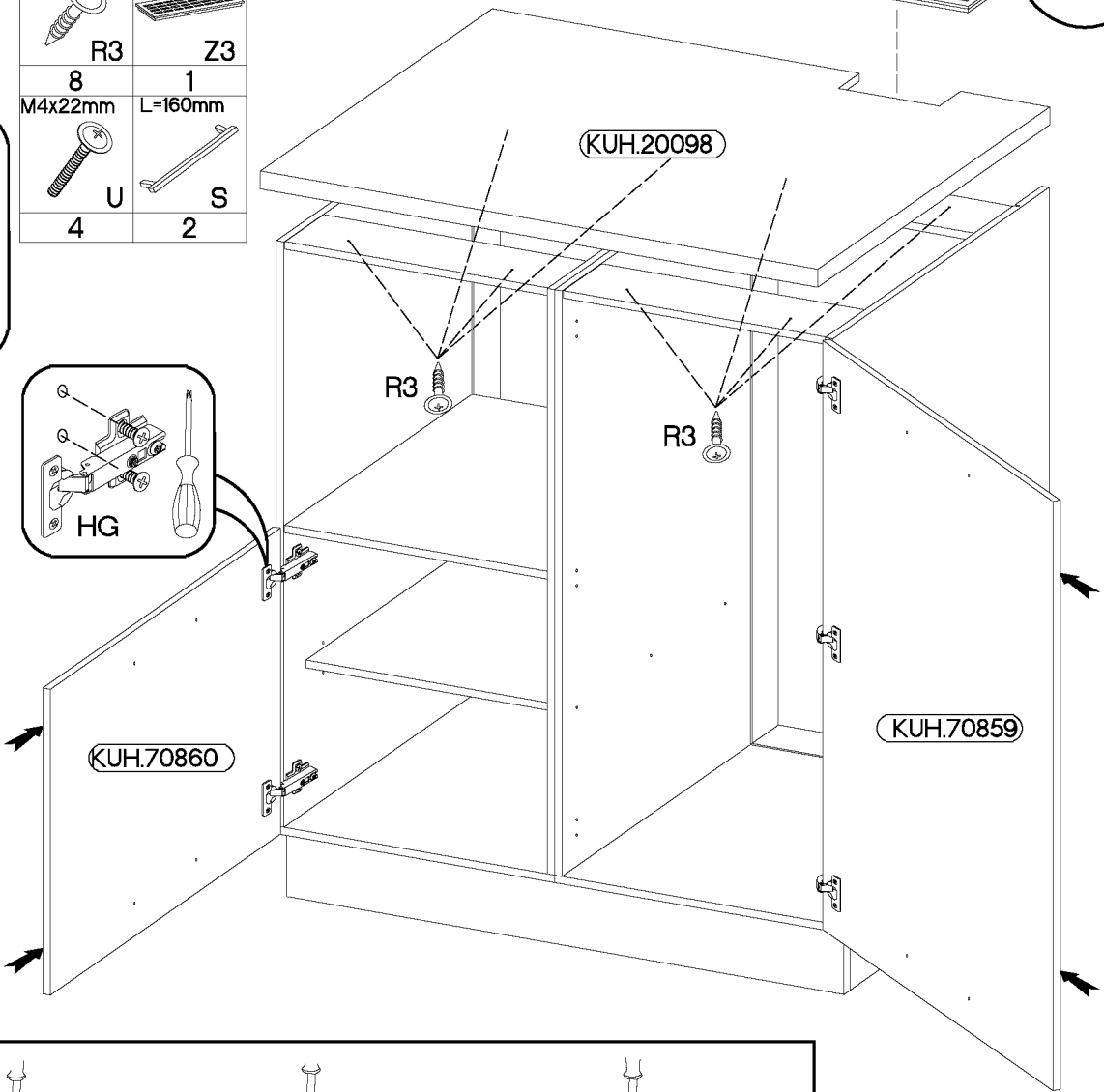
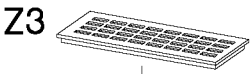
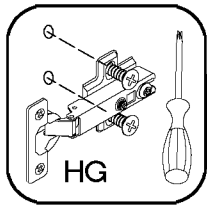
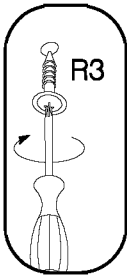


34

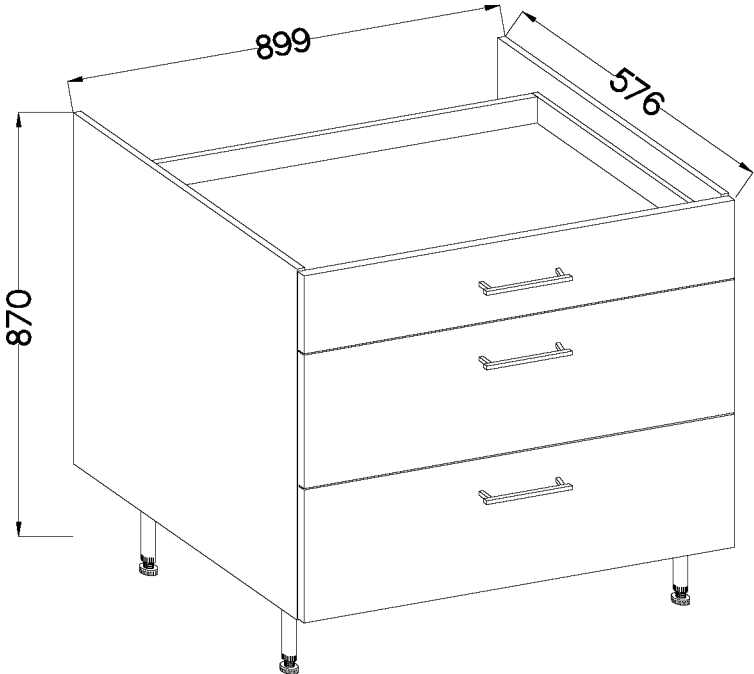


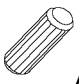






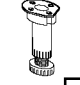



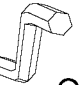




35

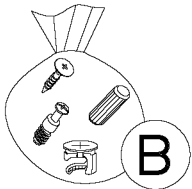
+4.0x35mm R3	Z3
8 M4x22mm U	1 L=160mm S
4	2

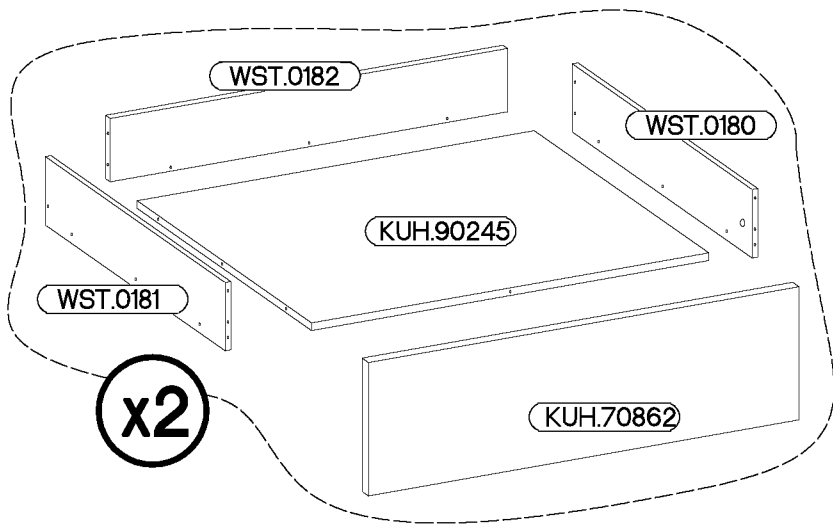
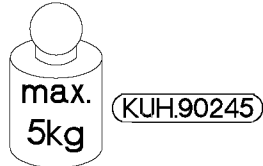
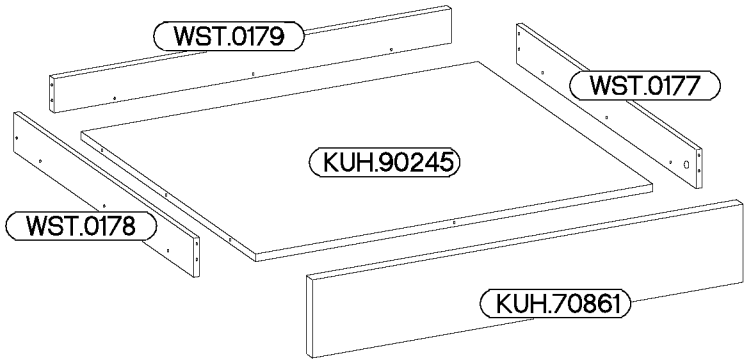
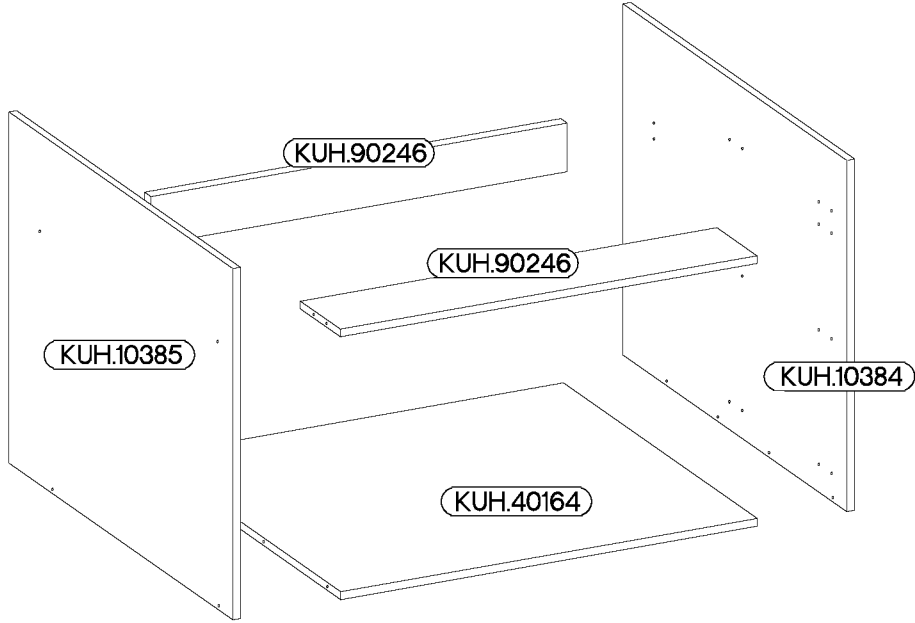


# NASHVILLE



 ±8x30mm A	 6,4 x 50mm B	 ±6x42mm B2	 ±15/12mm C	 ±12/10mm C5	 L=20mm D2					
20	35	10	3	6	9					
 E1	 F15	 F16	 L=450mm L	 R	[CD] ±6.3x13mm M2	 O	 ±3.5x13mm P5	 L=160mm S	 T15	 M4x22mm U
8	4	4	3	3	24	1	32	3	4	6


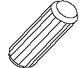

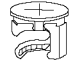


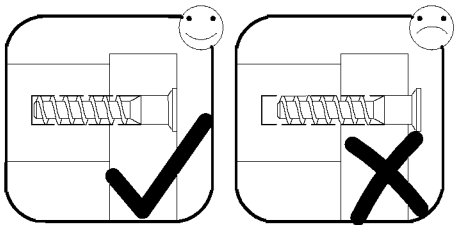
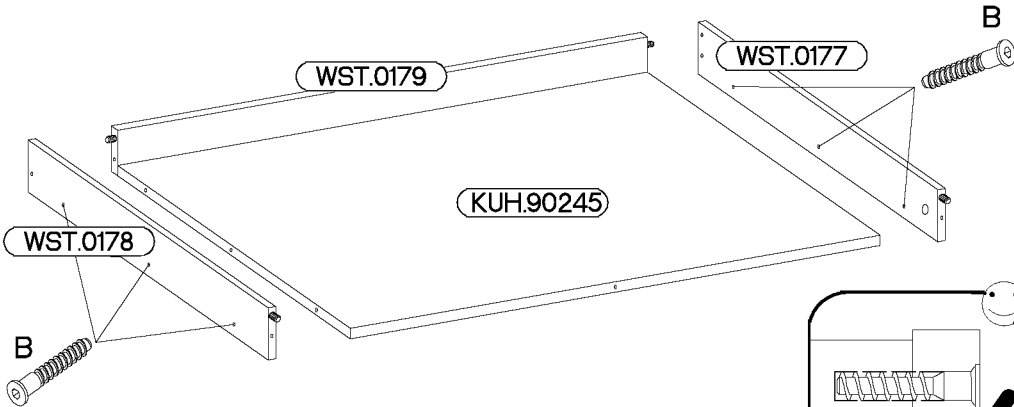
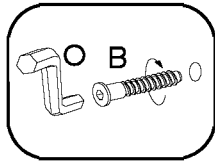
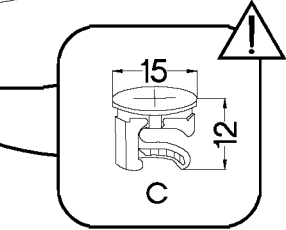
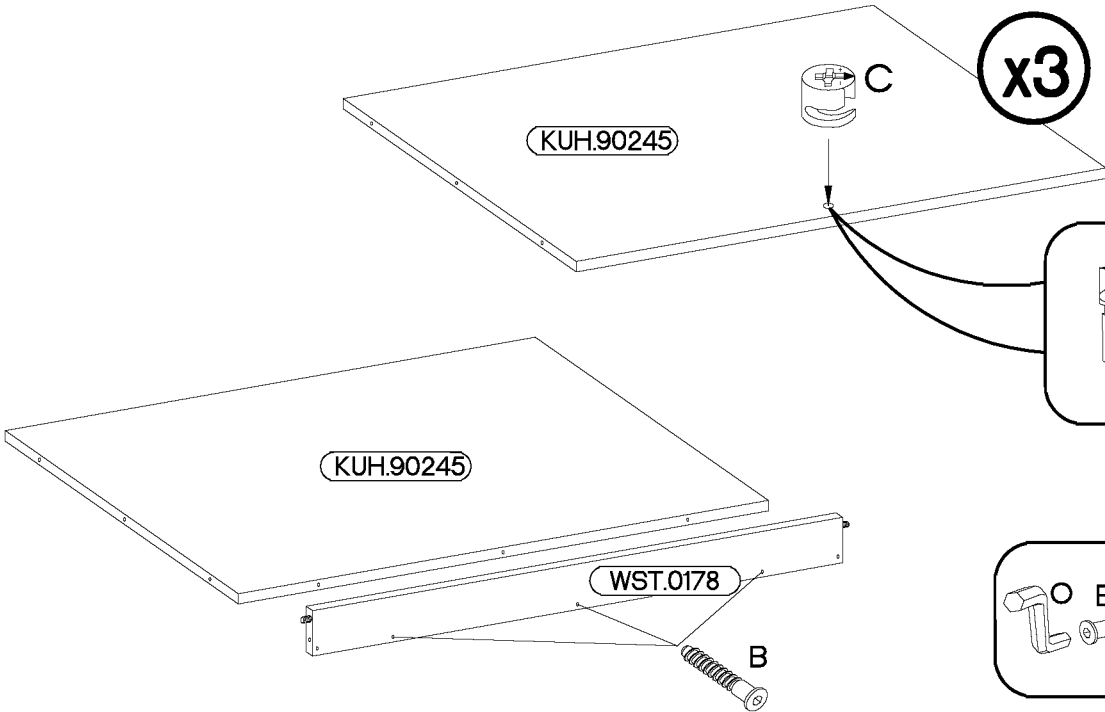
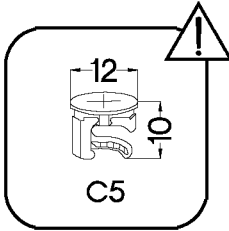
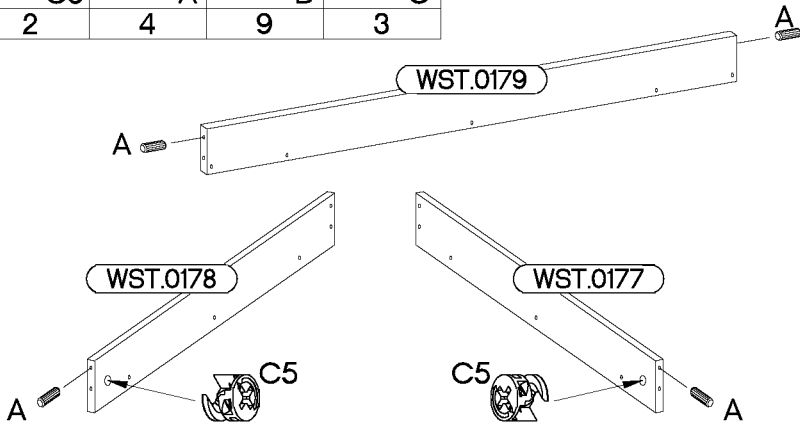
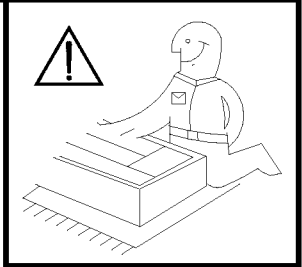


Colli	Ersatzteil Nummer	Dimension
Colli 6/7	KUH.10384	720x560x16
	KUH.10385	720x560x16
	KUH.40164	867x485x16
	KUH.90245 x3	827x437x16
	KUH.90246 x2	867x100x16
	WST.0177	450x80x12
	WST.0178	450x80x12
	WST.0179	827x70x12
	WST.0180 x2	450x140x12
	WST.0181 x2	450x140x12
WST.0182 x2	827x130x12	



Colli	Ersatzteil Nummer	Dimension
Colli 7/7	KUH.70861	896x160x16
	KUH.70862 x2	896x273x16

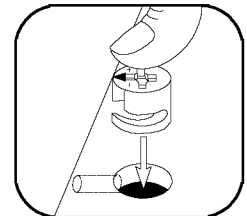
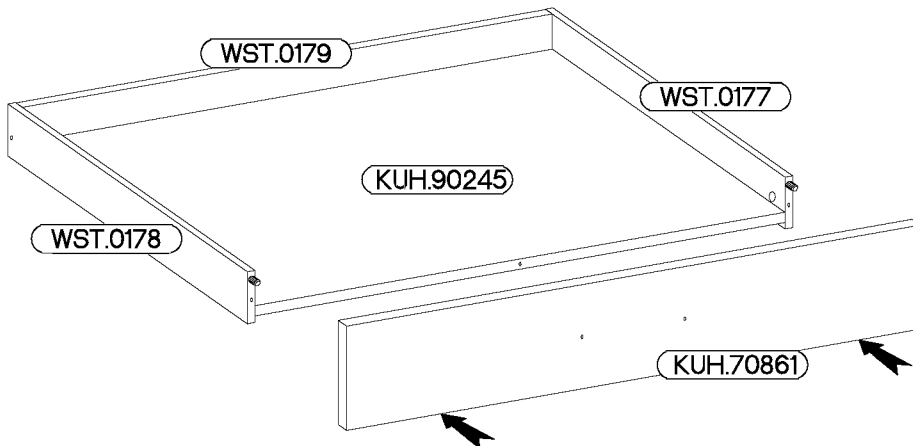
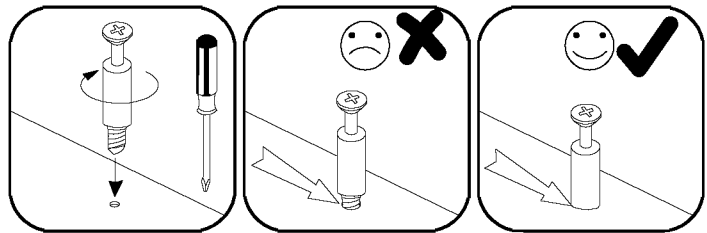
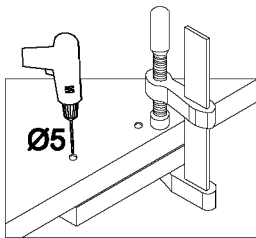
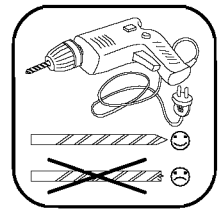
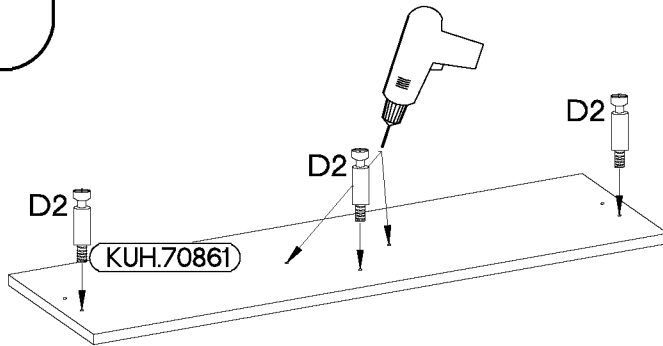
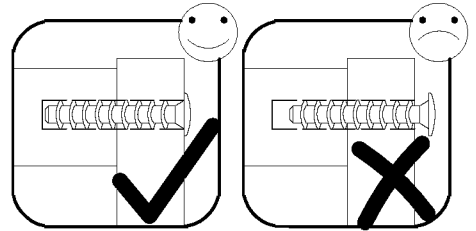
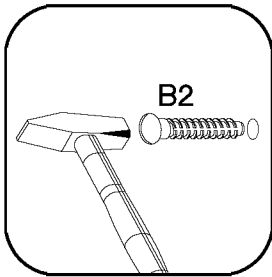
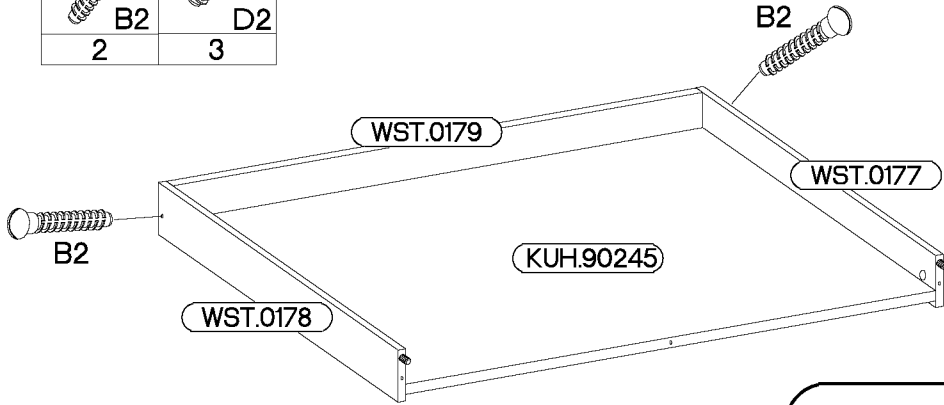
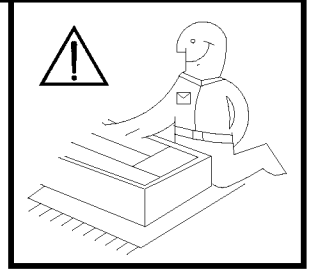
36

Ø12/10mm  C5 2	Ø8x30mm  A 4	6,4 x 50mm  B 9	Ø15/12mm  C 3
--	--	---	---




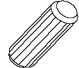

37

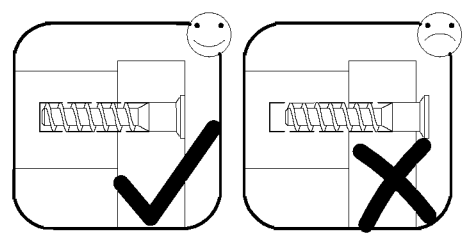
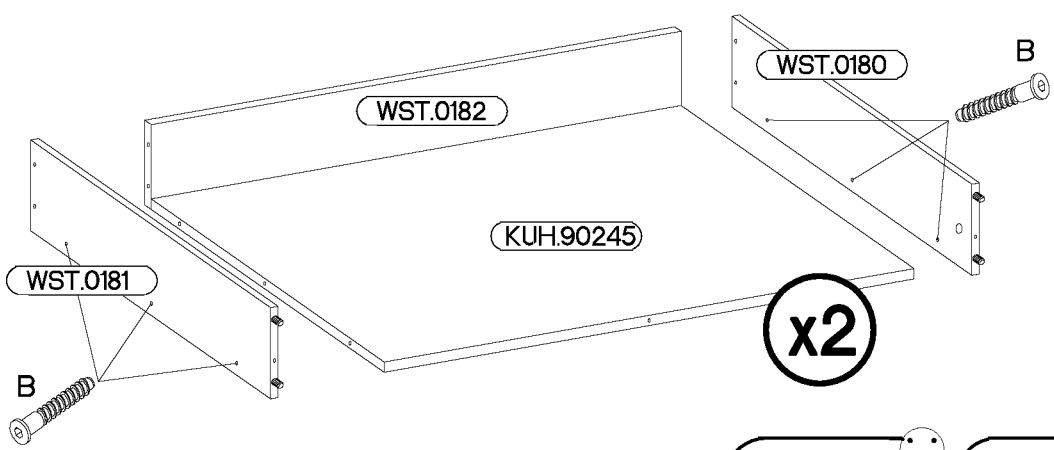
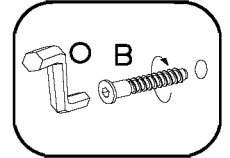
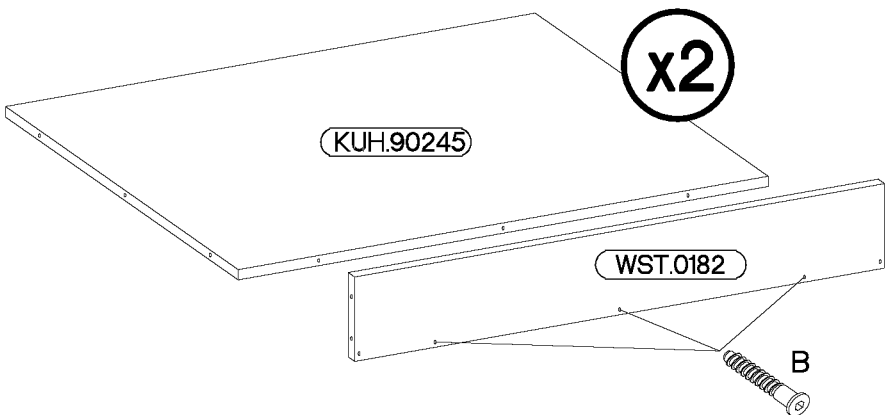
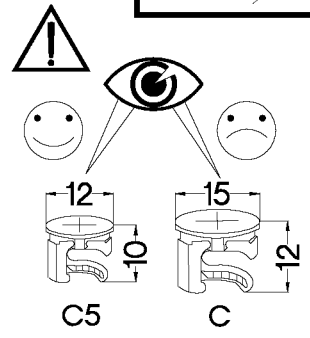
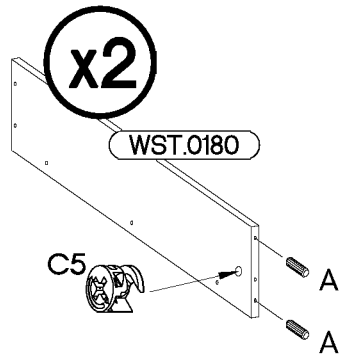
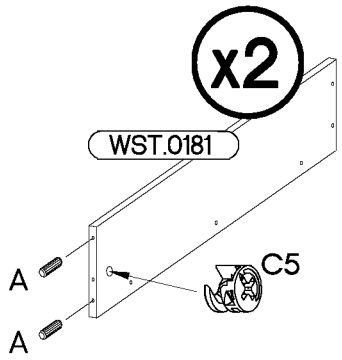
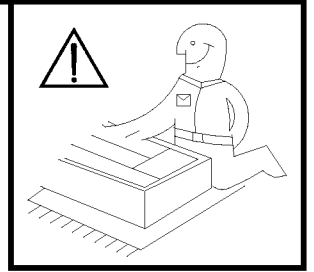
+6x42mm	L=20mm
	
B2	D2
2	3







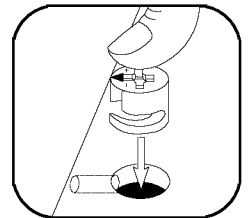
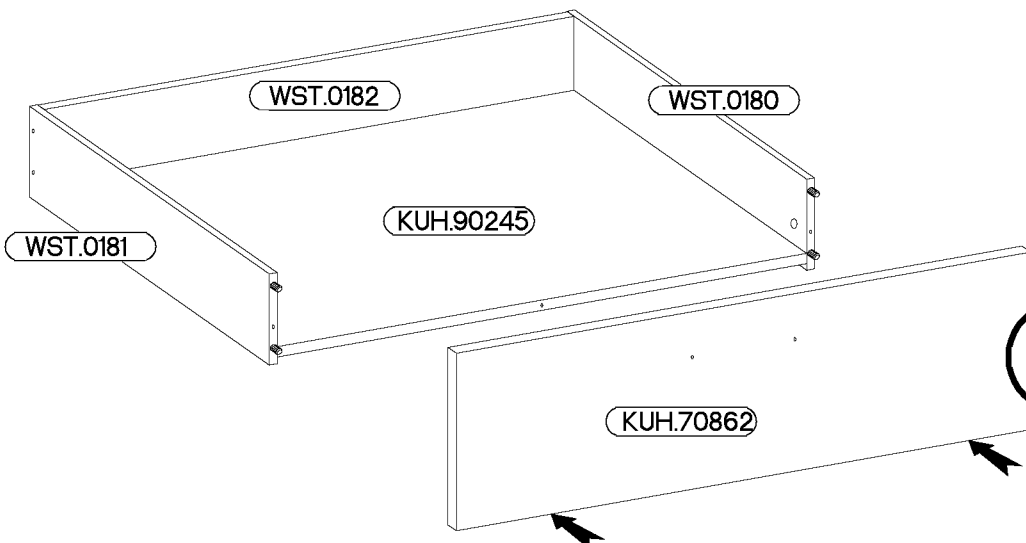
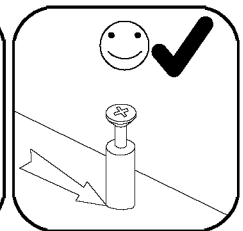
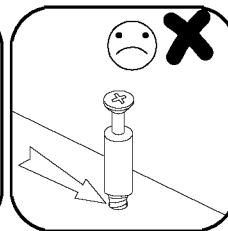
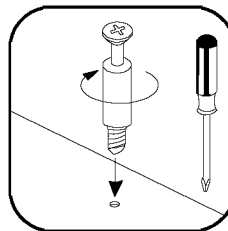
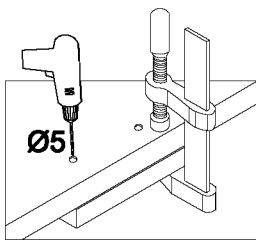
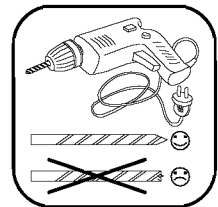
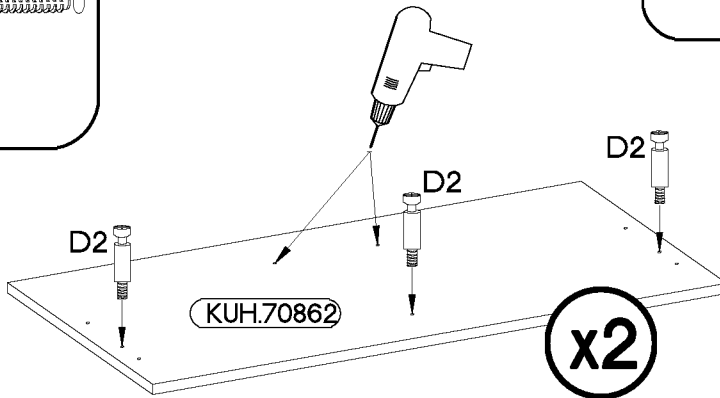
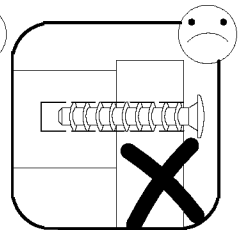
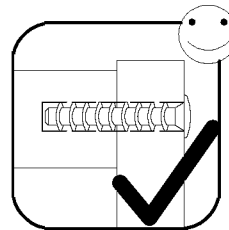
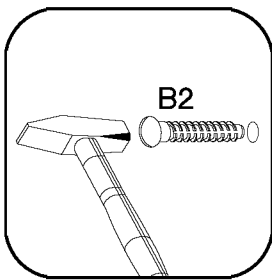
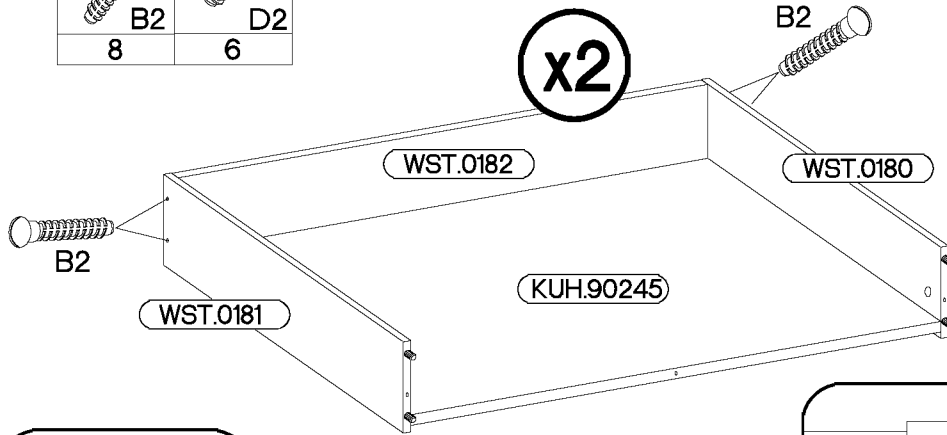
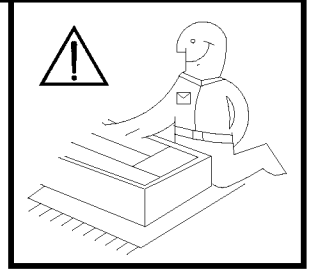
38

 †12/10mm C5 4	 †8x30mm A 8	 6,4 x 50mm B 18
--	--	--


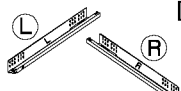


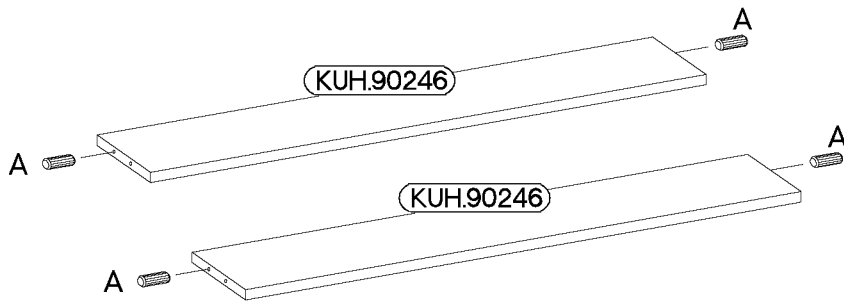
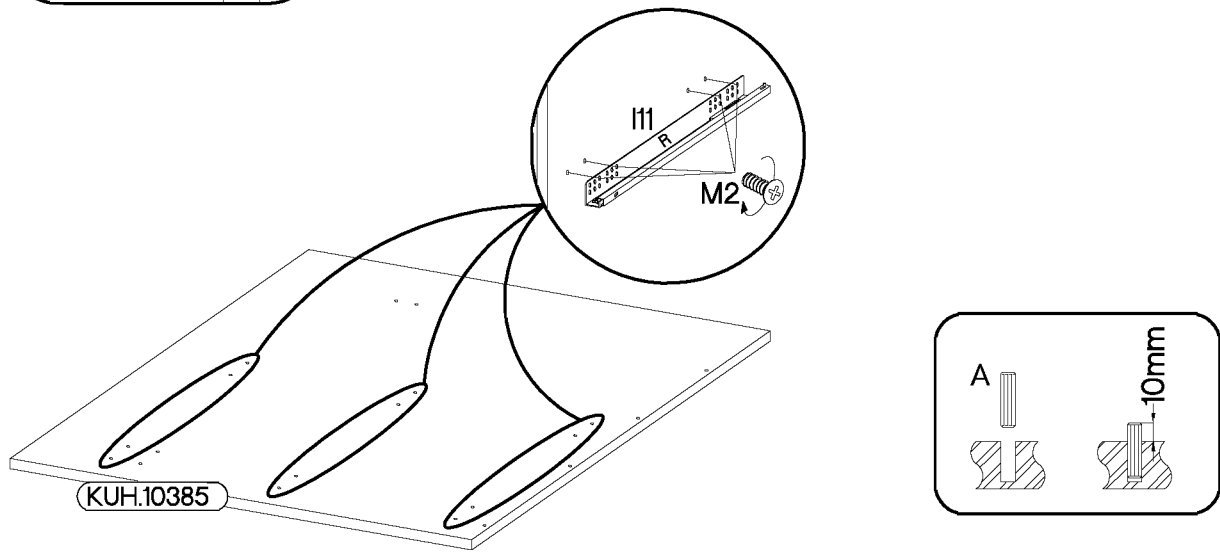
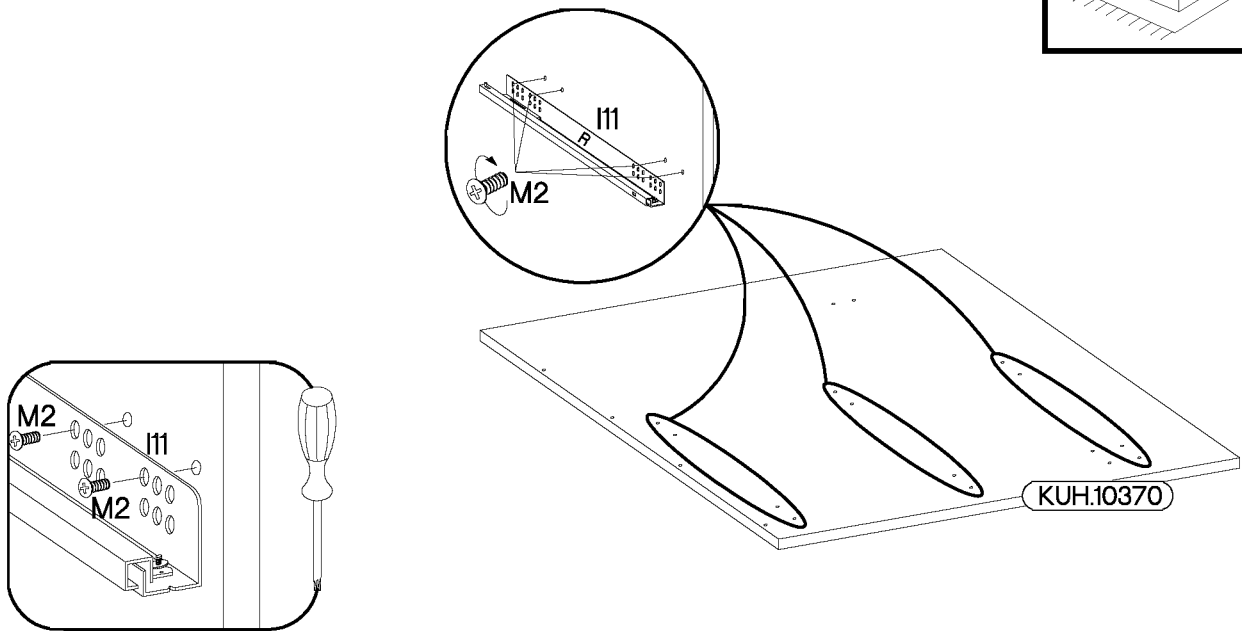
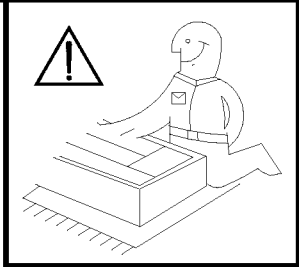
39

+6x42mm	L=20mm
	
B2	D2
8	6



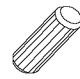


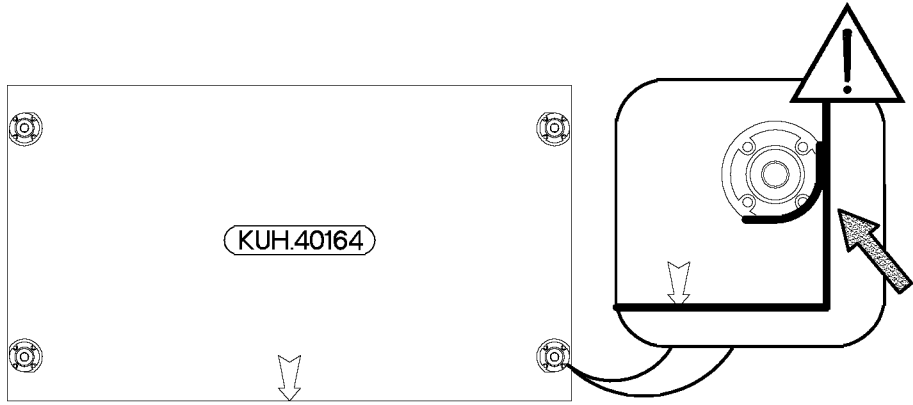
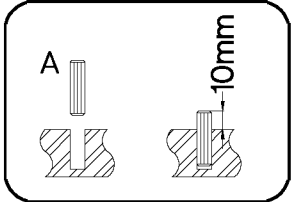
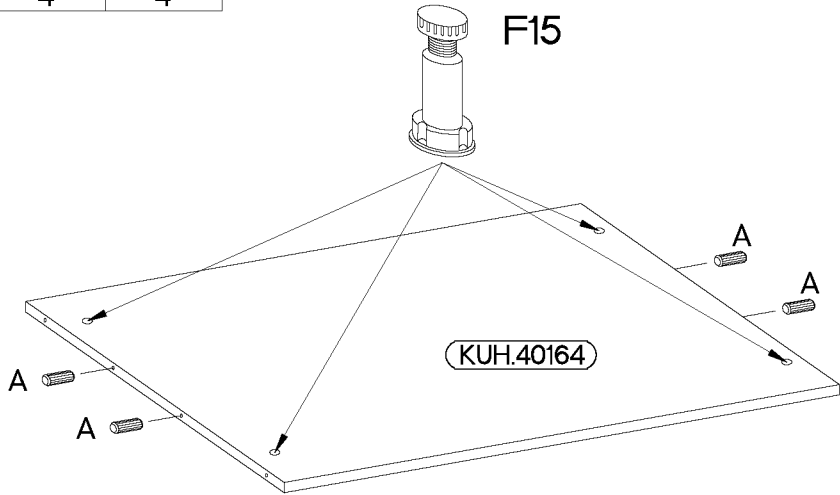
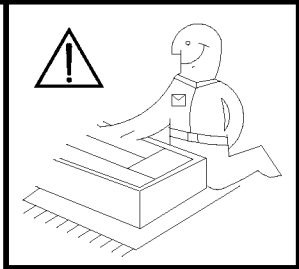
40

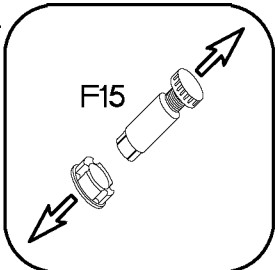
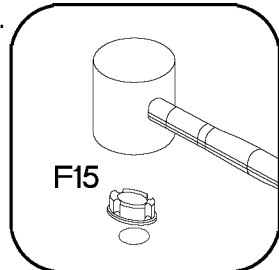
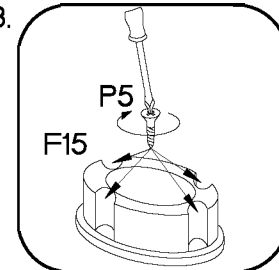
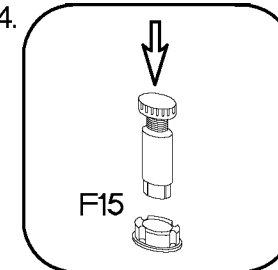
 +8x30mm A	 L L=450mm I11	[CD] +6.3x13mm M2
4	3	24



41

+3.5x13mm  P5 16	 F15 4	+8x30mm  A 4
--	---	--



- 
- 
- 
- 

42

6,4 x 50mm



B

4



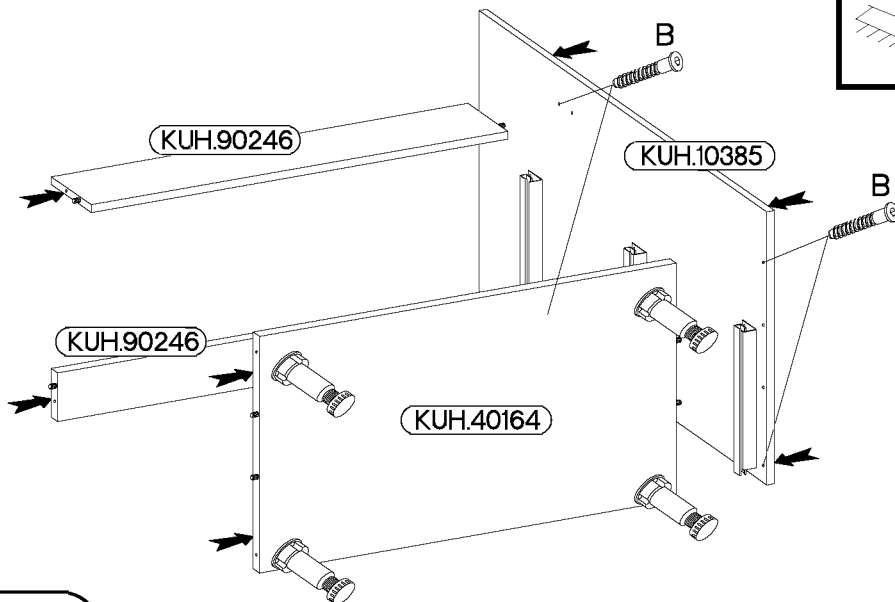
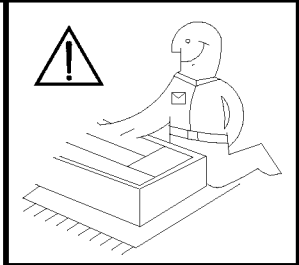
O

1

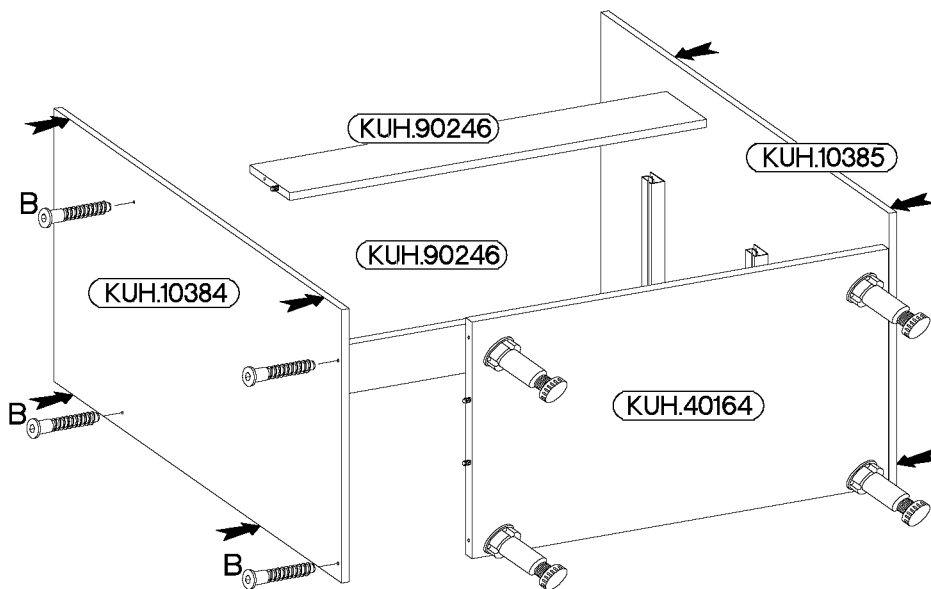
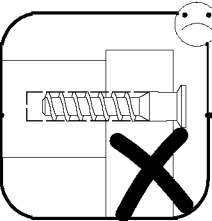
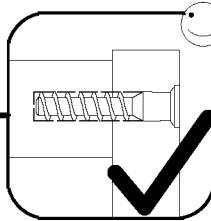
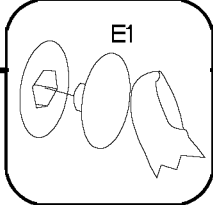
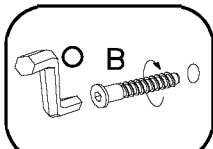


E1

4



43



6,4 x 50mm



B

4



O



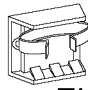
1



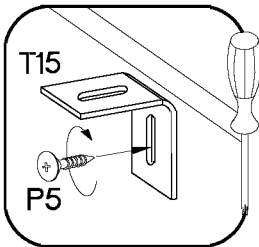
E1

4

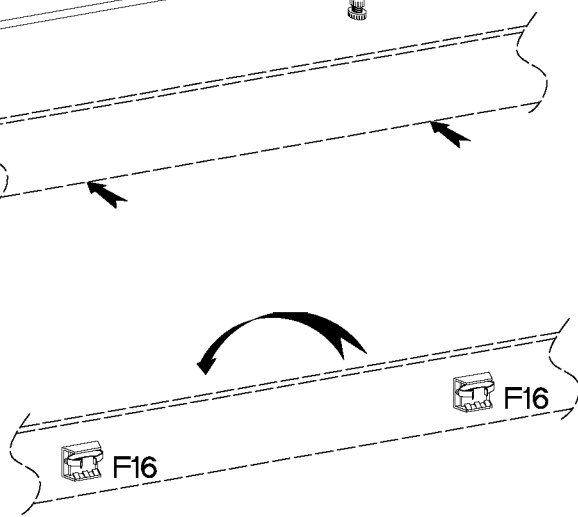
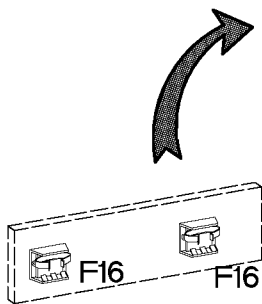
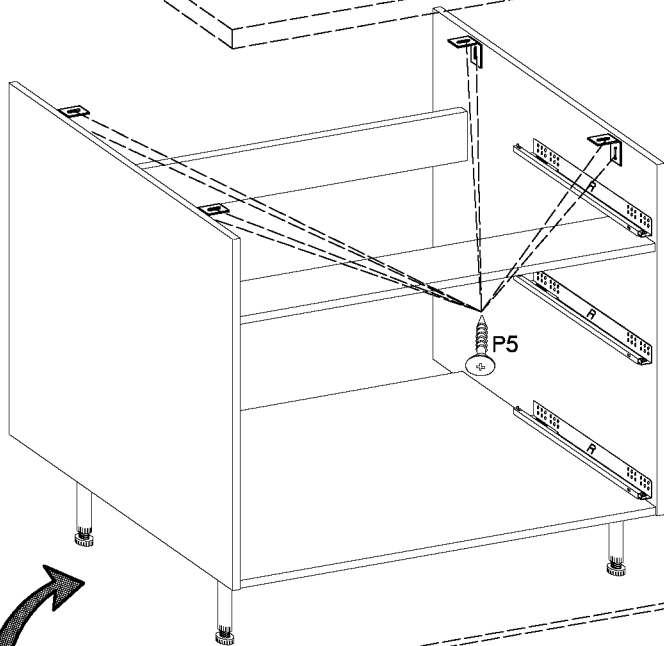
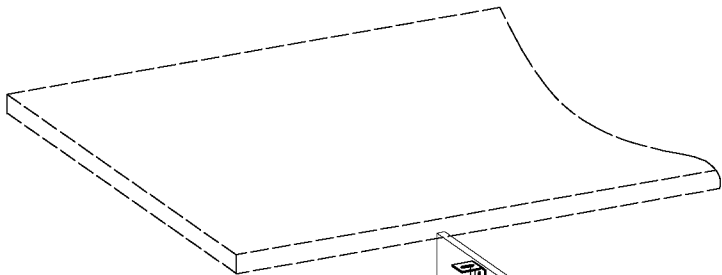
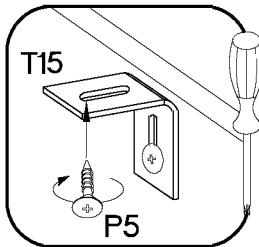
44

	$\pm 3.5 \times 13 \text{mm}$ 	
T15	P5	F16
4	16	4

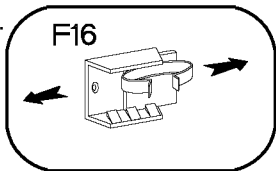
1.



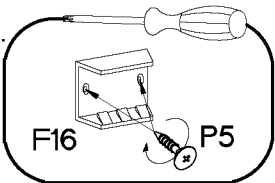
2.



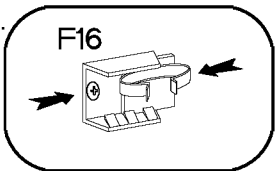
1.



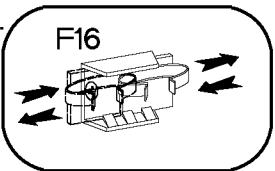
2.



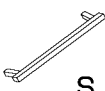

3.

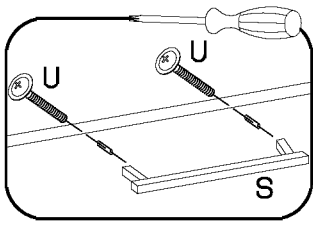
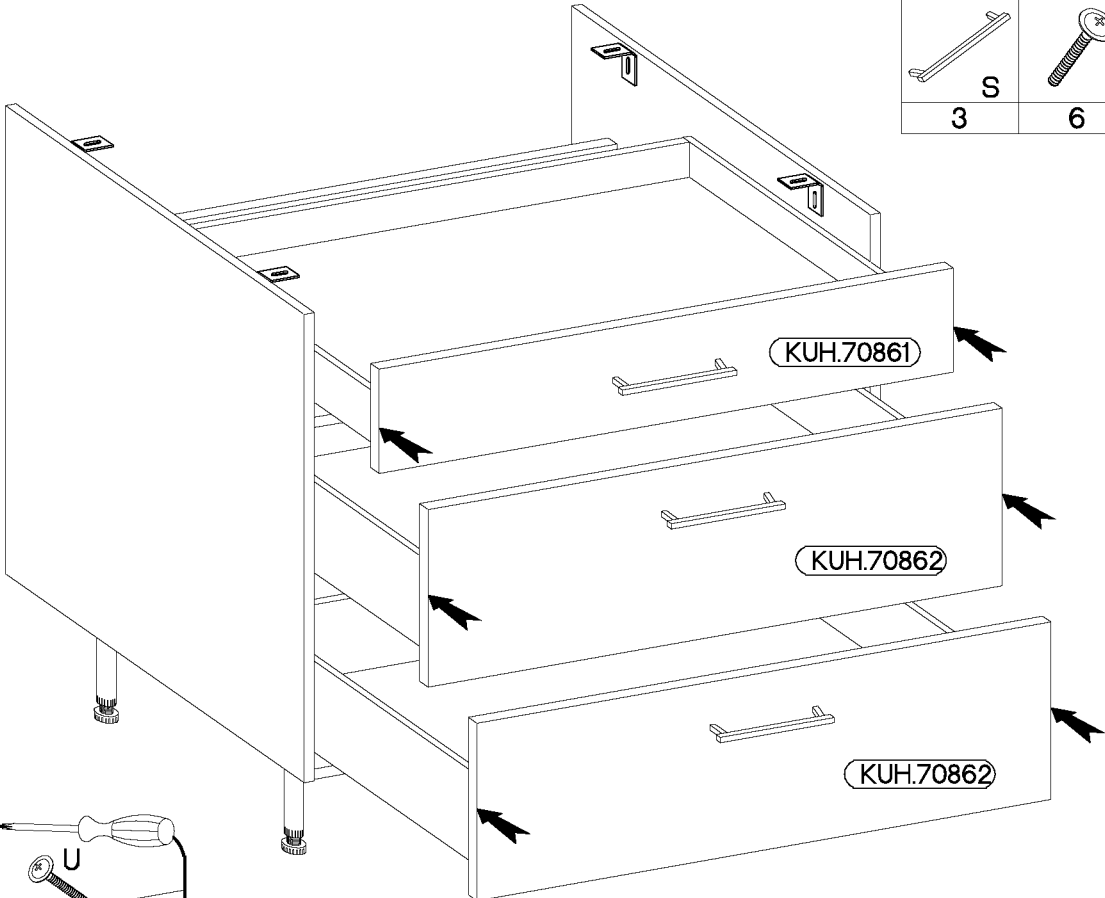


4.

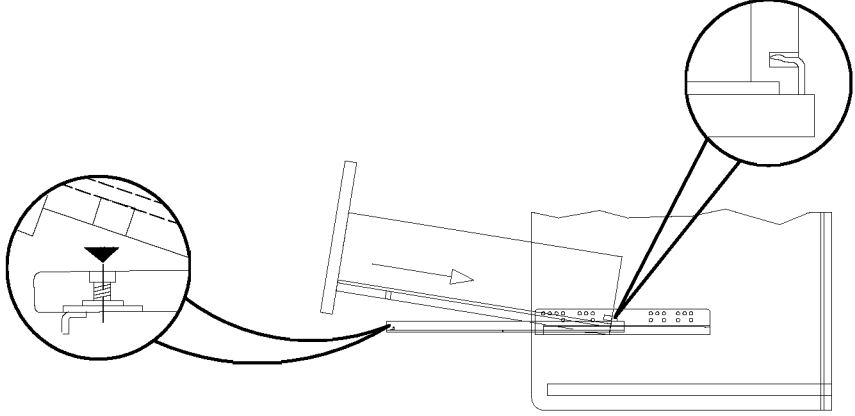


45

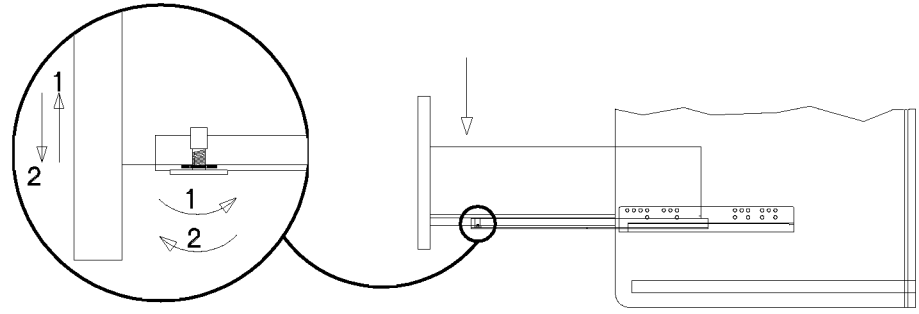
L=160mm	M4x22mm
	
S	U
3	6

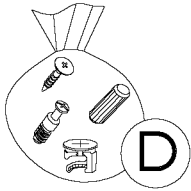
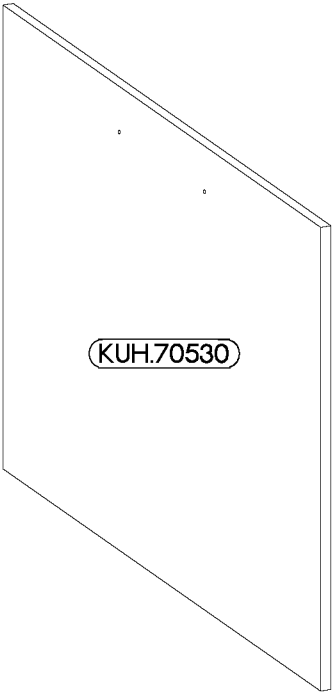
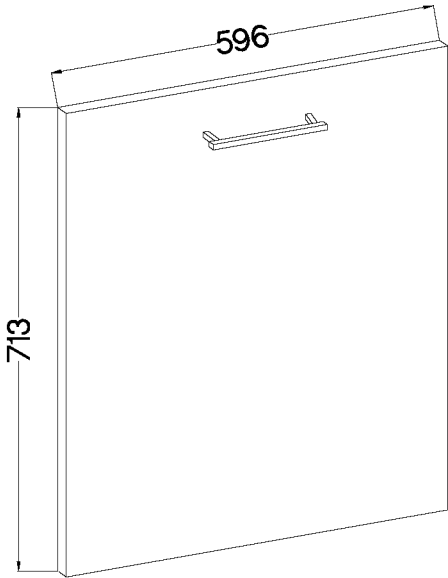


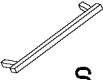

1.



2.





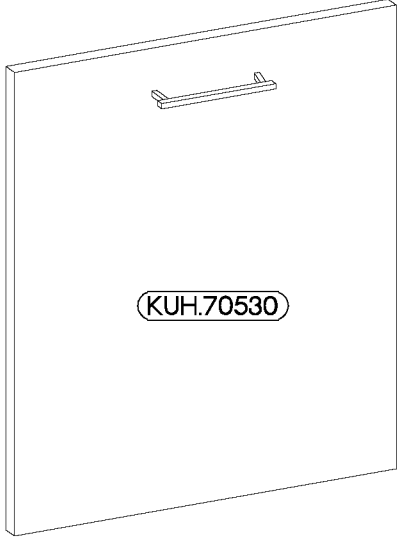
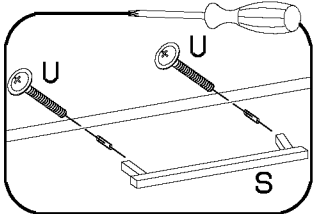
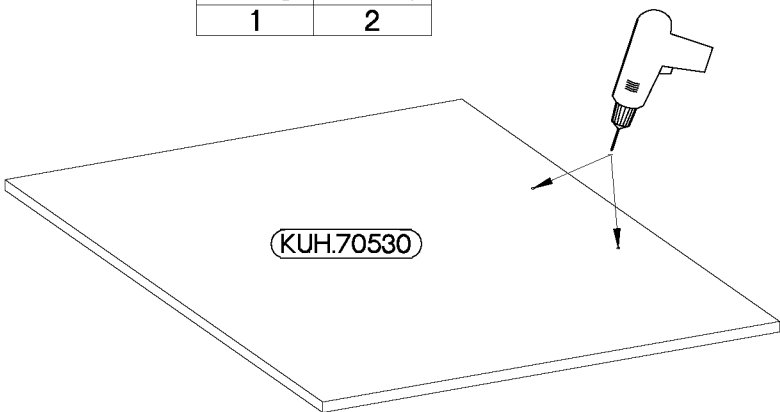
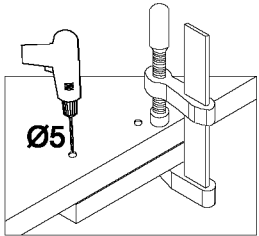
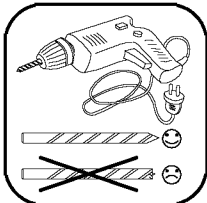


L=160mm	M4x22mm
 S	 U
1	2

Colli	Ersatzteil Nummer	Dimension
Colli 5/7	KUH.70530	720x560x16

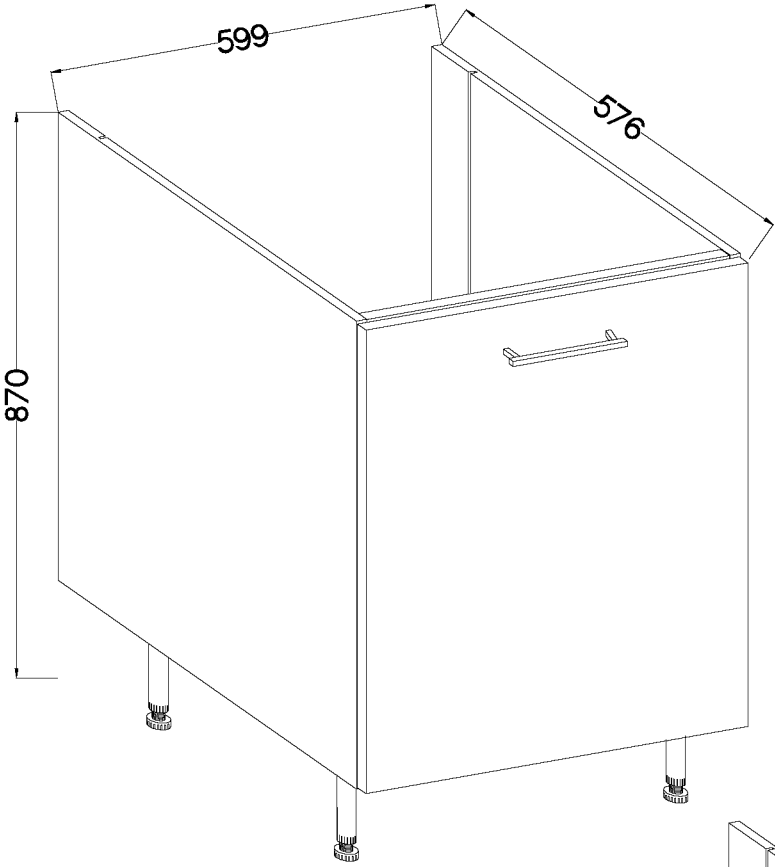
**46**

L=160mm	M4x22mm
 S	 U
1	2

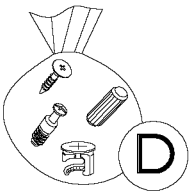
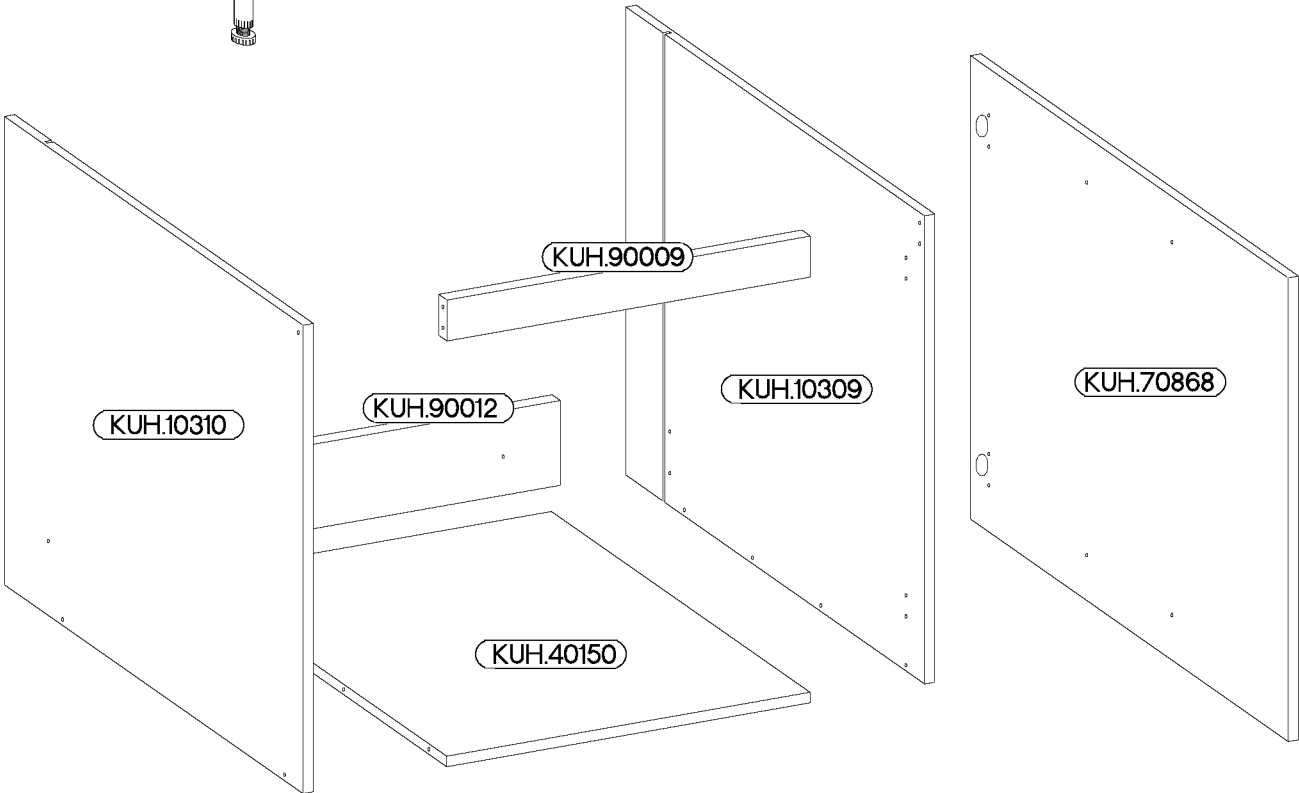




# NASHVILLE

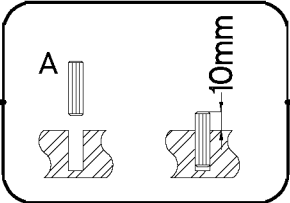
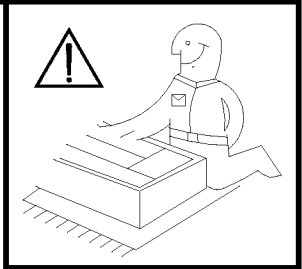
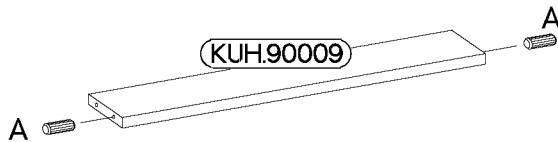
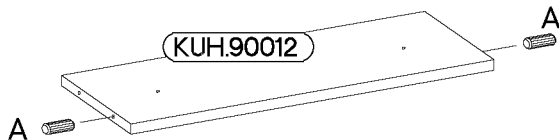
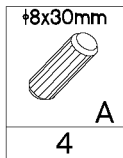


Colli	Ersatzteil Nummer	Dimension
Colli 5/7	KUH.10309	720x560x16
	KUH.10310	720x560x16
	KUH.40150	567x485x16
	KUH.70868	713x596x16
	KUH.90009	567x63x16
	KUH.90012	567x130x16

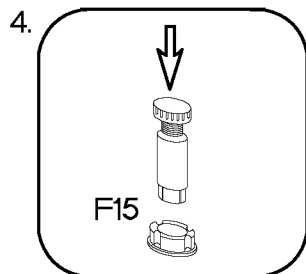
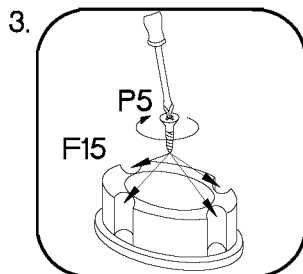
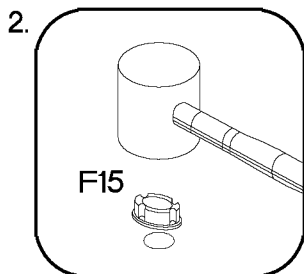
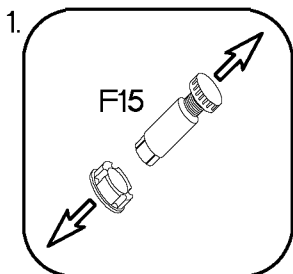
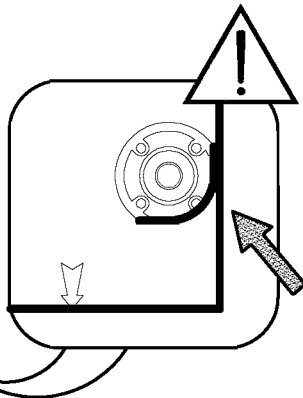
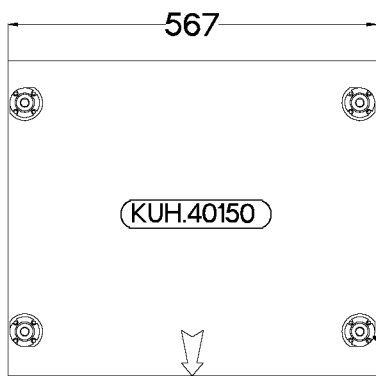
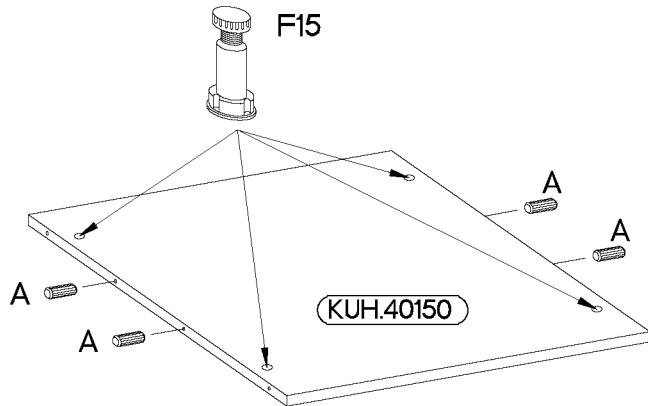
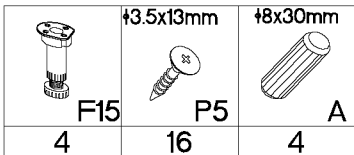


±8x30mm	6,4 x 50mm				±35/0mm		±3.5x13mm	L=160mm		M4x22mm
8	8	8	4	4	2	1	36	1	4	2

47

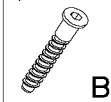


48



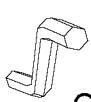
49

6,4 x 50mm



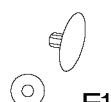
B

4



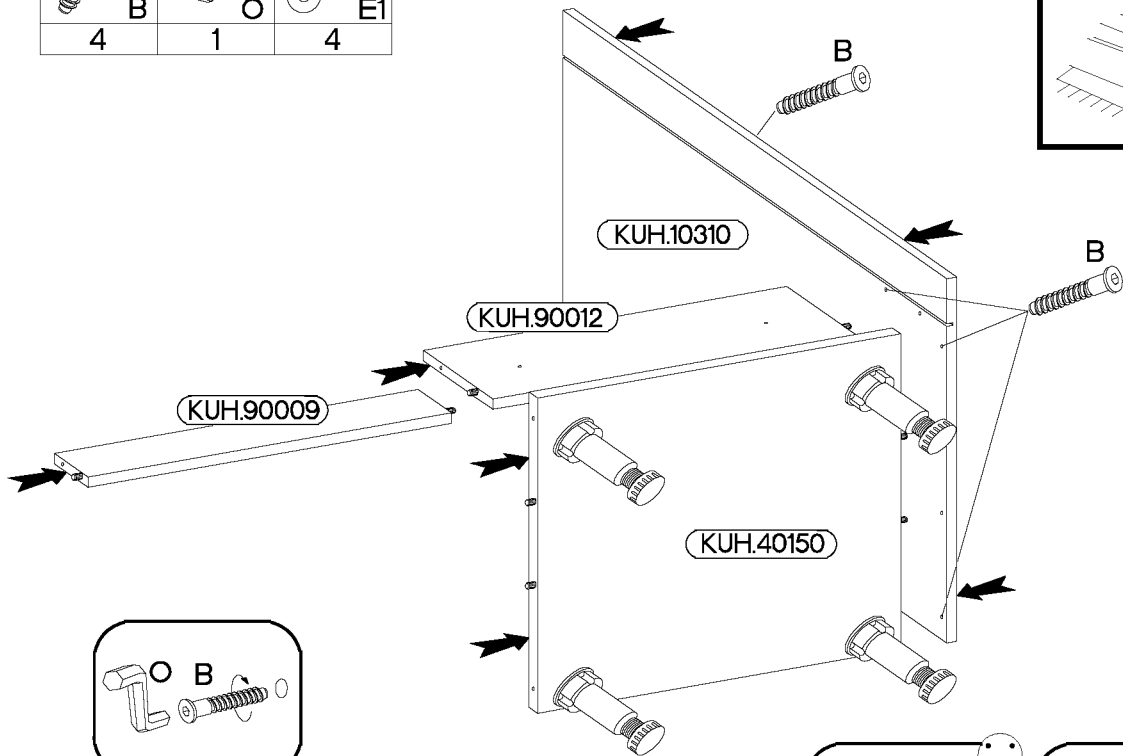
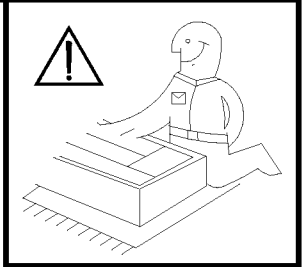
O

1

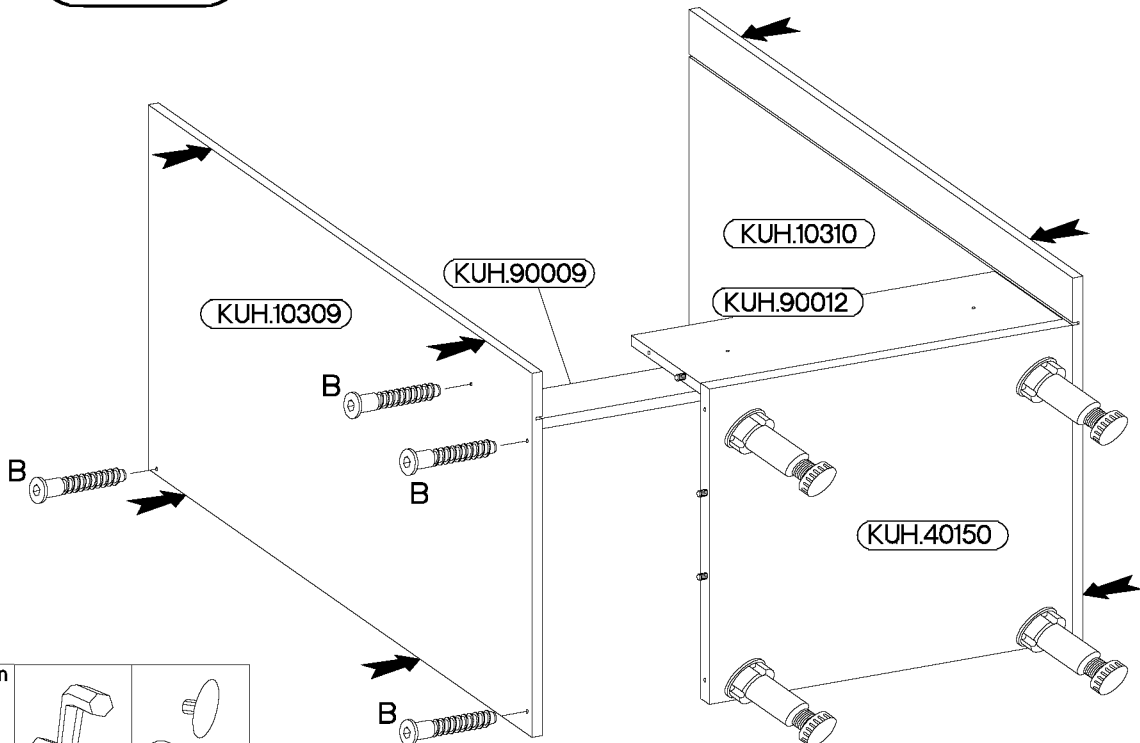
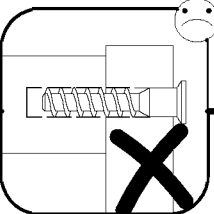
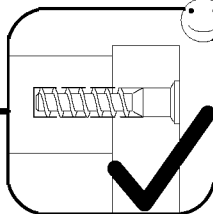
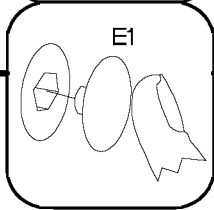
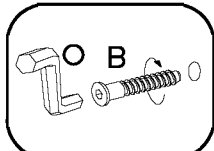


E1

4



50

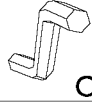


6,4 x 50mm



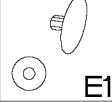
B

4



O



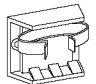
1

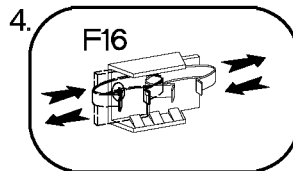
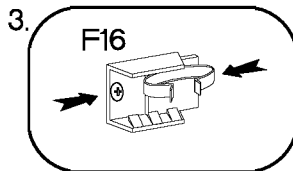
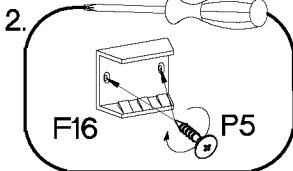
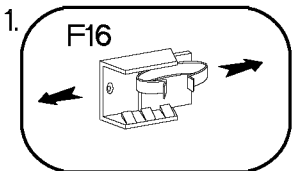
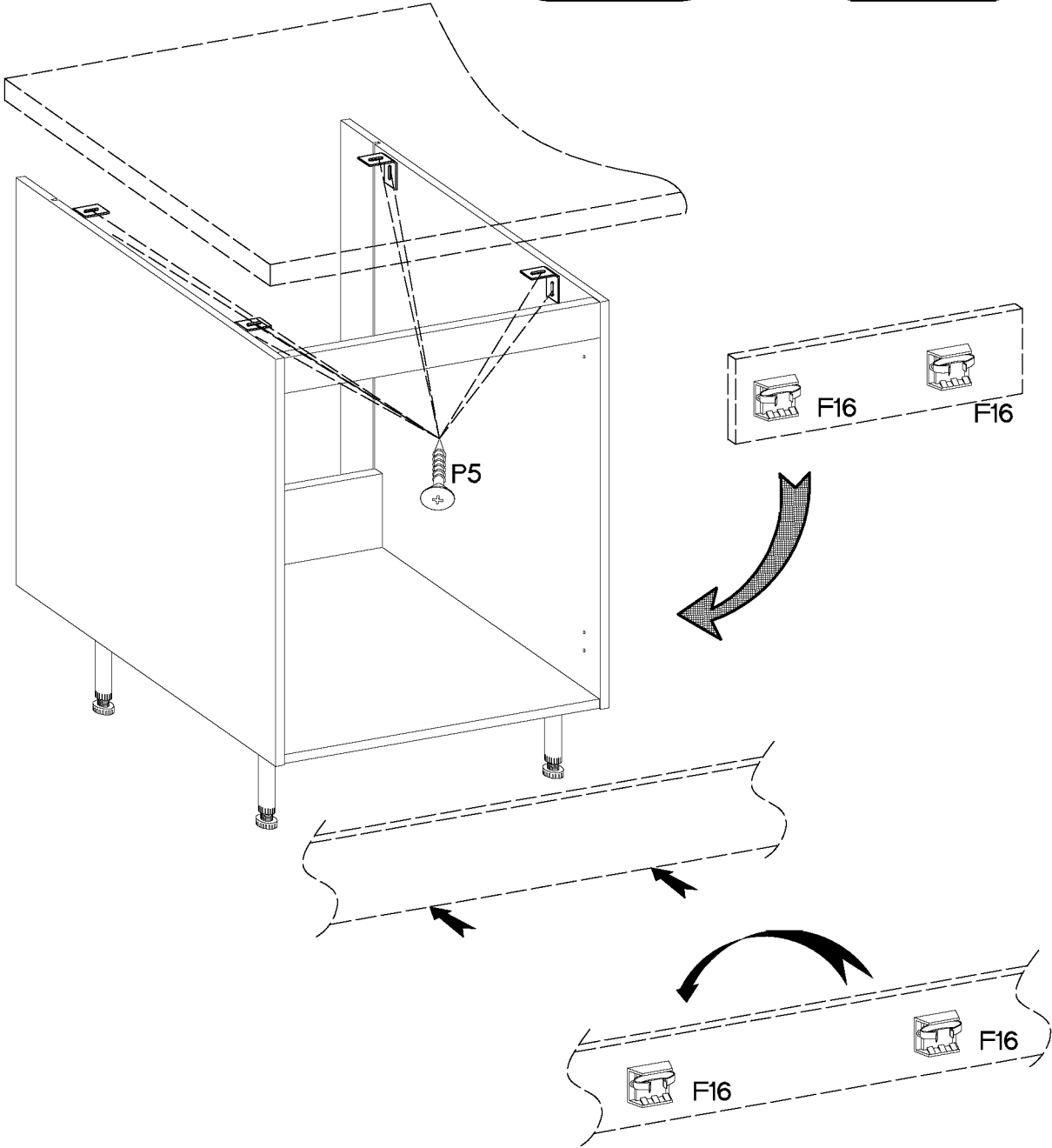
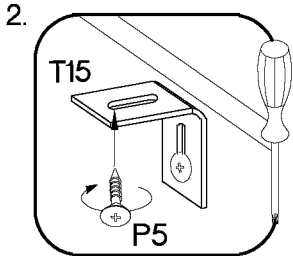
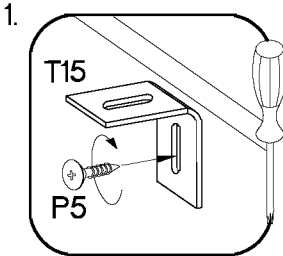


E1

4

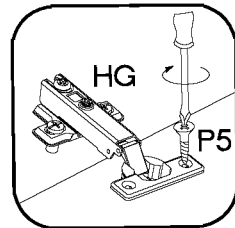
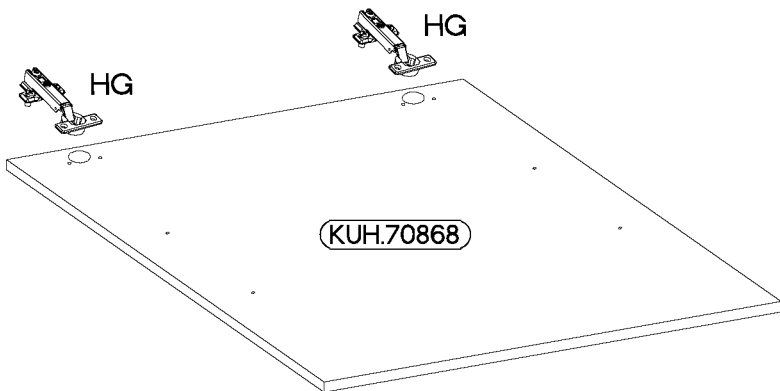
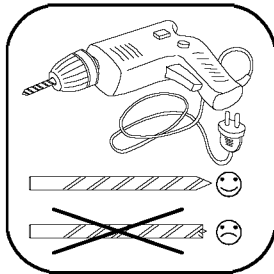
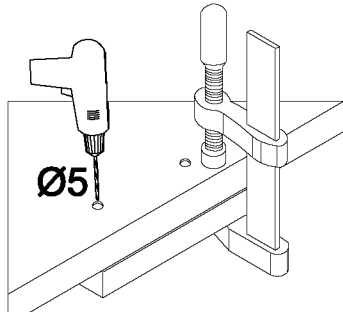
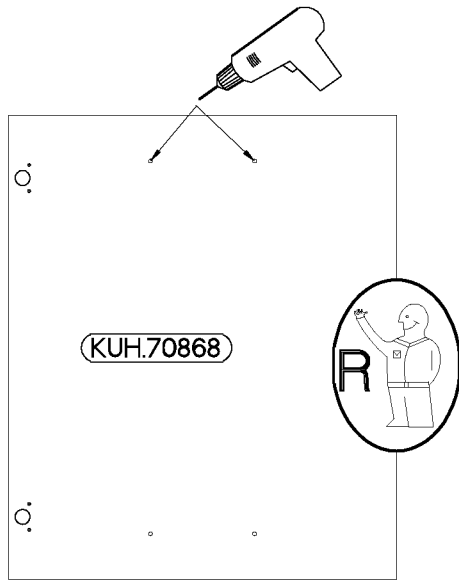
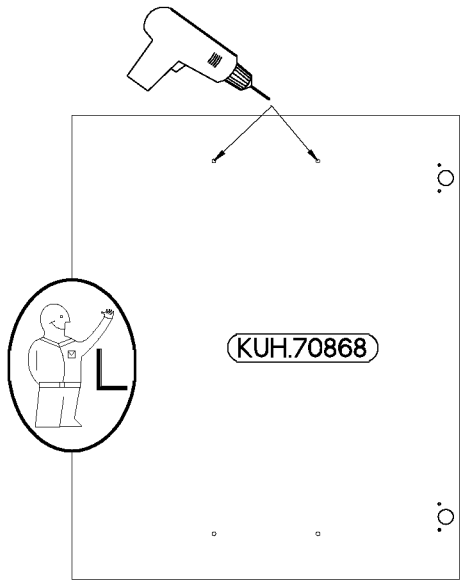
51

		
T15	P5	F16
4	16	4





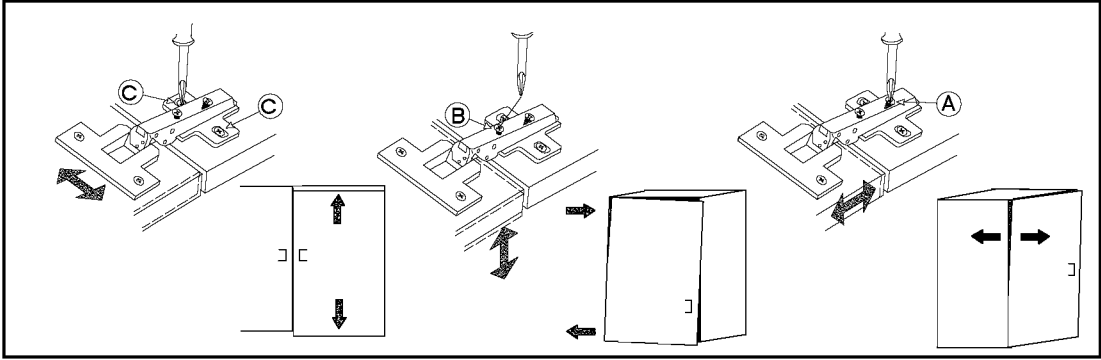
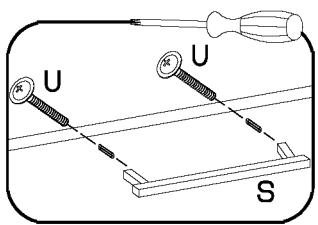
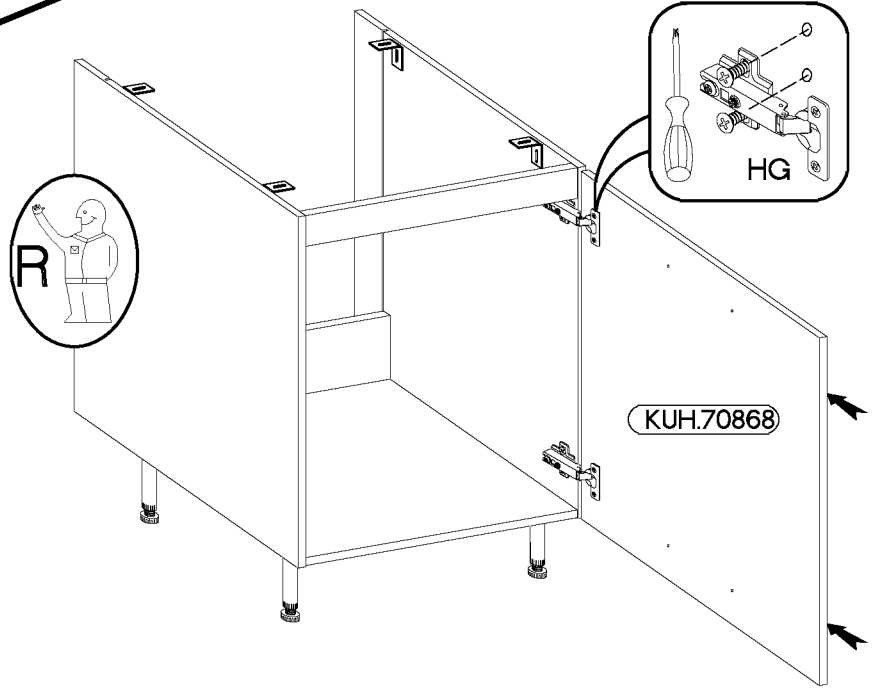
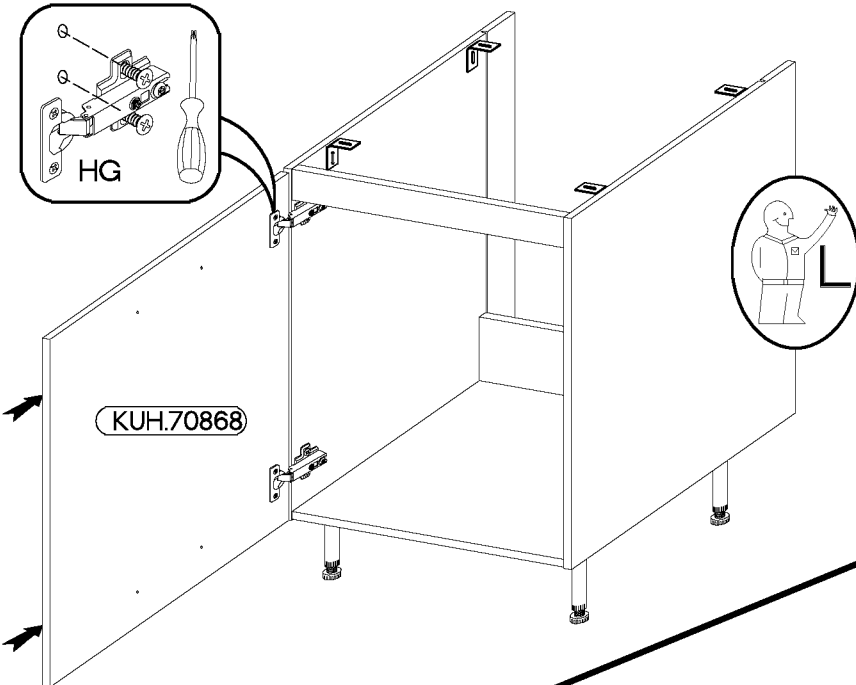
52

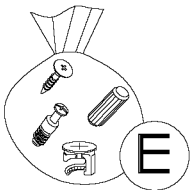
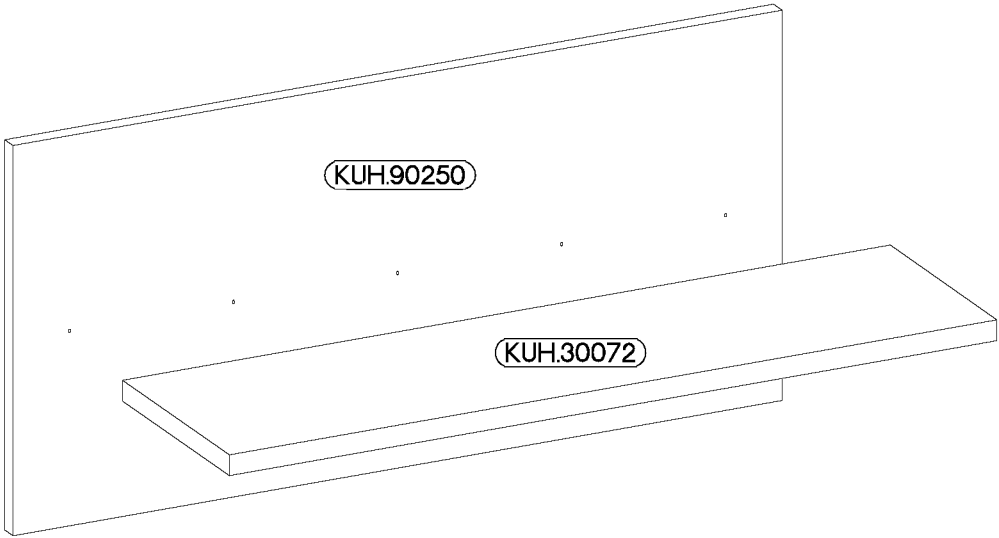
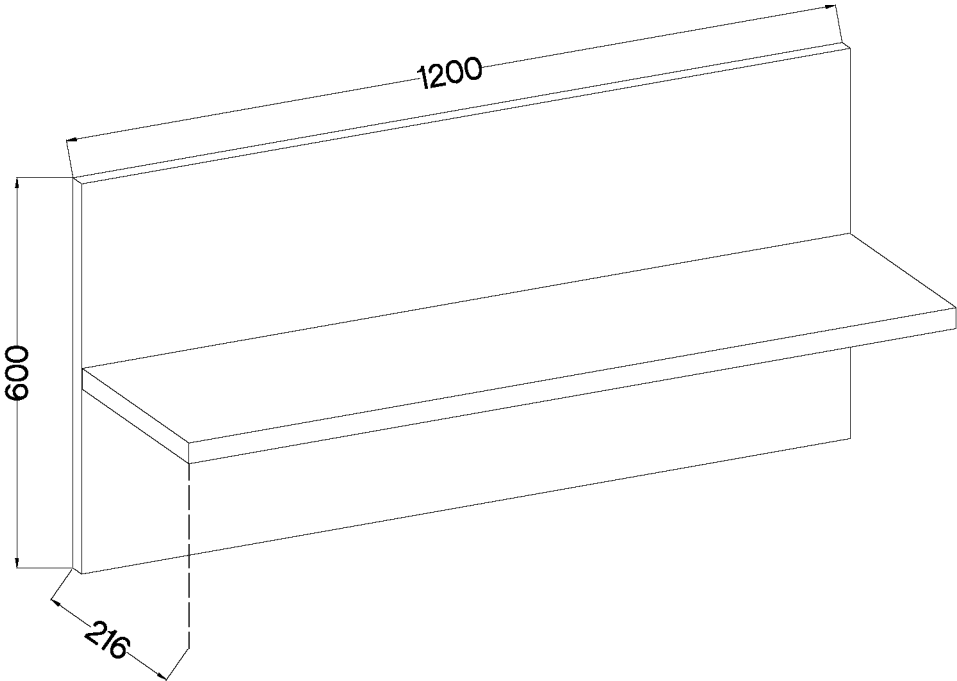
+35/0mm [CD] HG 2	+3.5x13mm P5 4
----------------------------	----------------------



53

M4x22mm	L=160mm
	
U	S
2	1




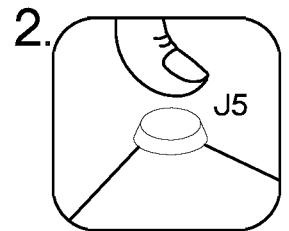
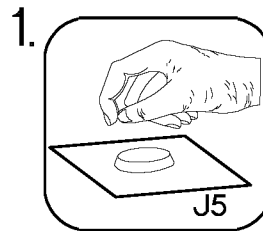
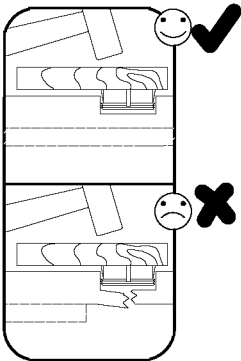
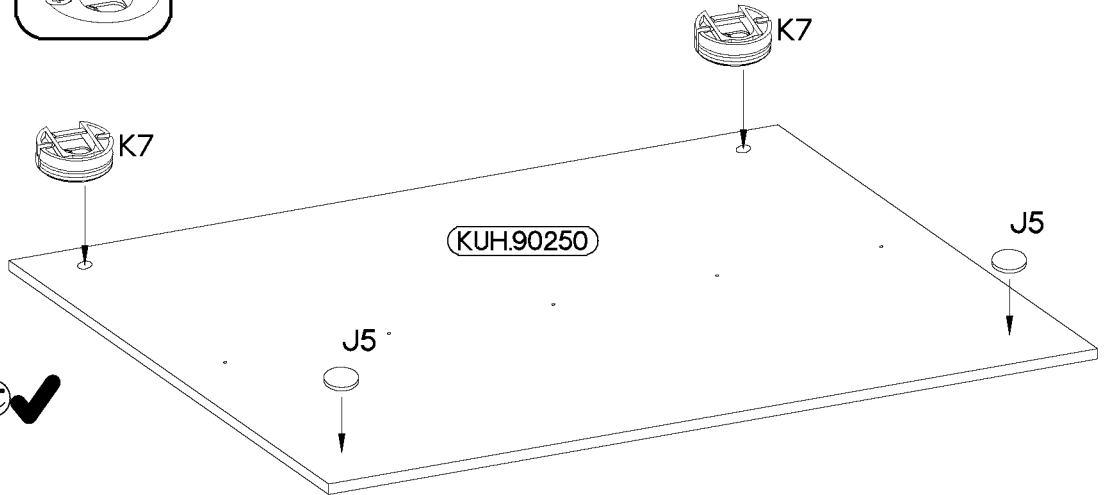
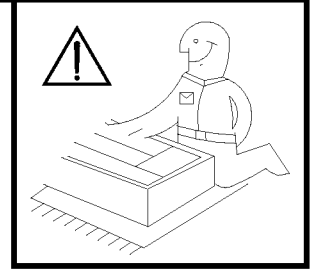
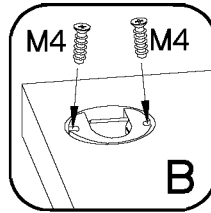
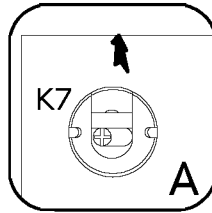


±7/2mm		±6,3x9mm		6,4 x 50mm	
	J5		K7		B
2		4	1	5	

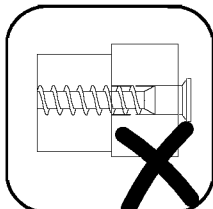
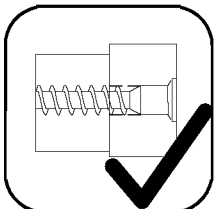
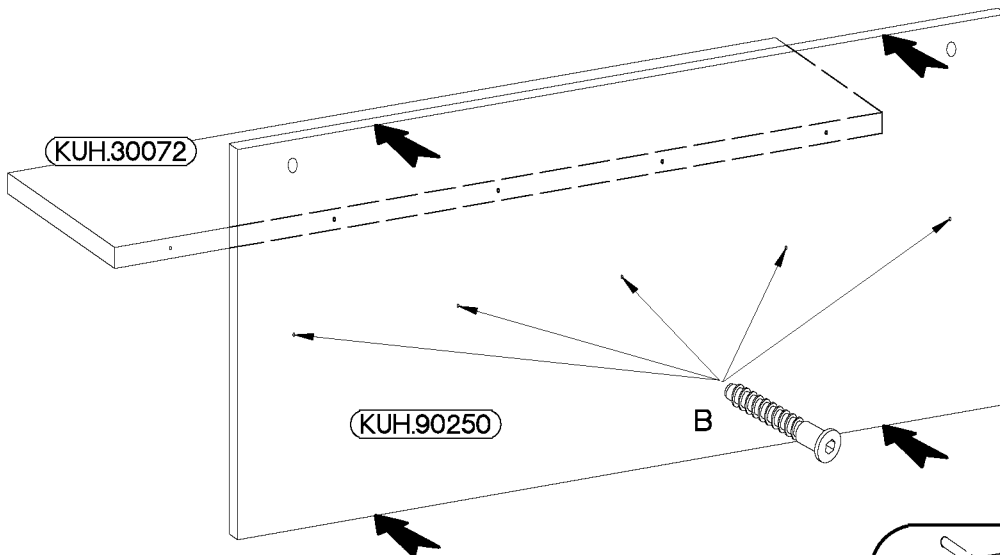
Colli	Ersatzteil Nummer	Dimension
2/7	KUH.30072	1198x200x32
	KUH.90250	1200x600x16

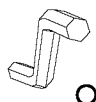

## 54

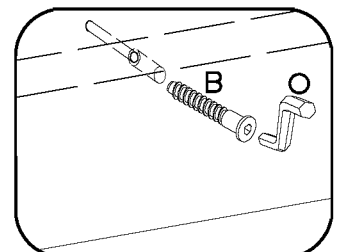
±7/2mm J5 2	 K7 2	±6.3x9mm M4 4
-------------------	--	---------------------



## 55

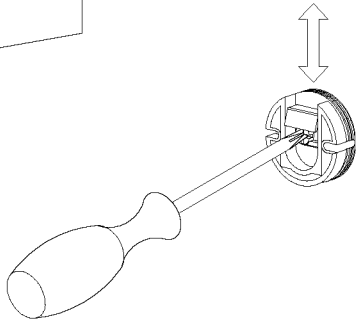
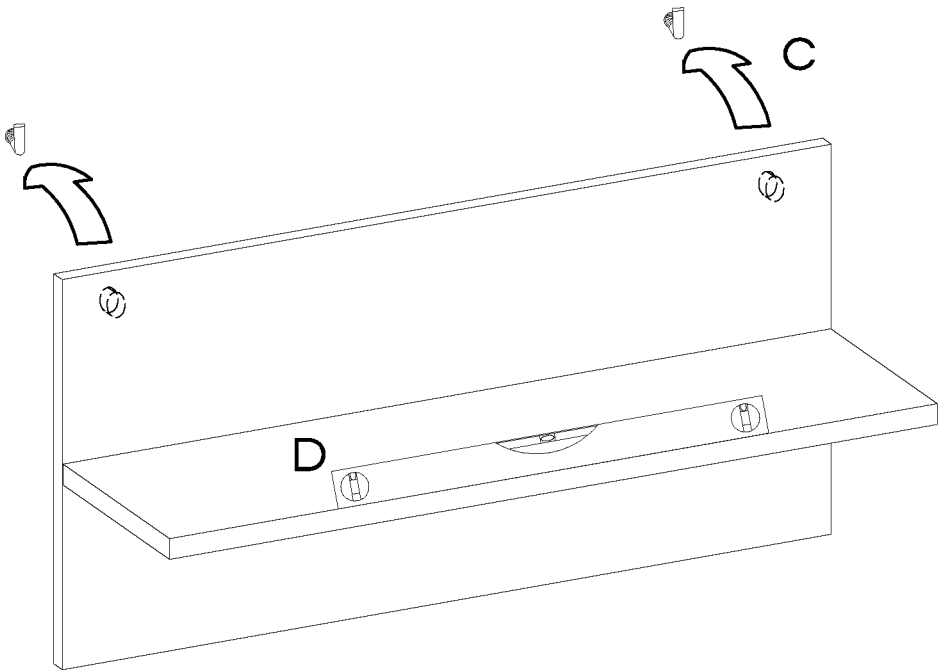
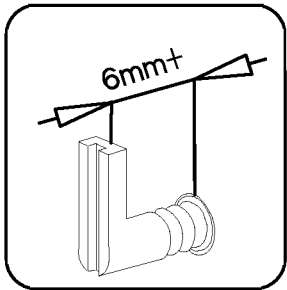
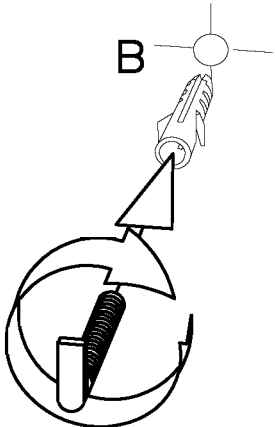
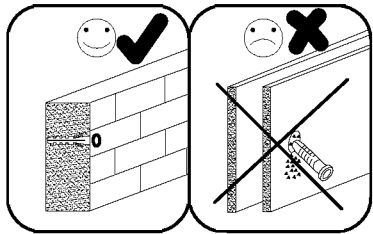
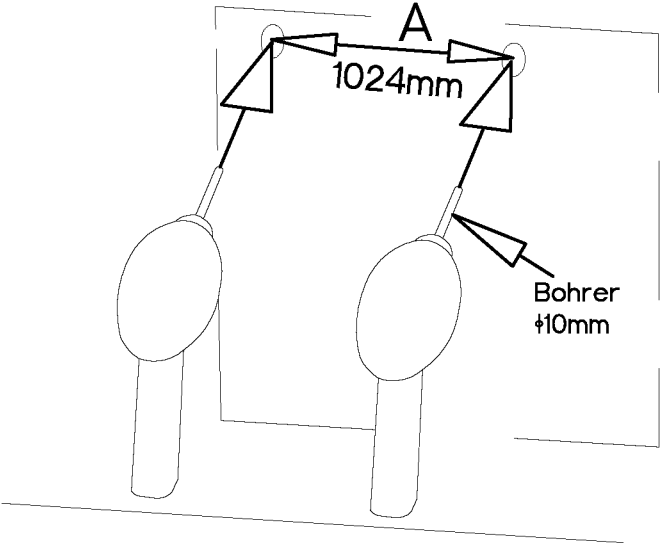


 O 1	 6,4 x 50mm B 5
---	---

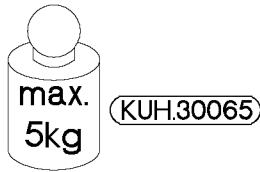
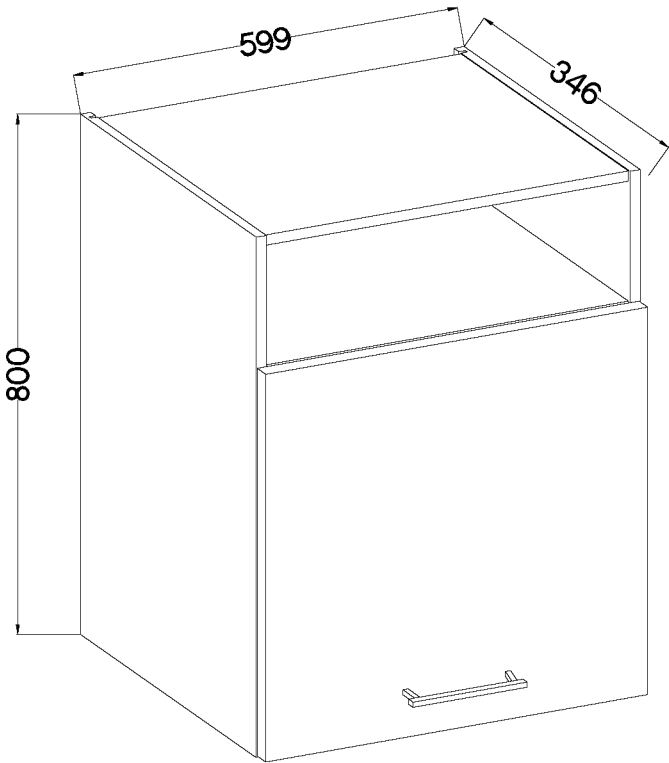




56

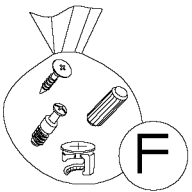
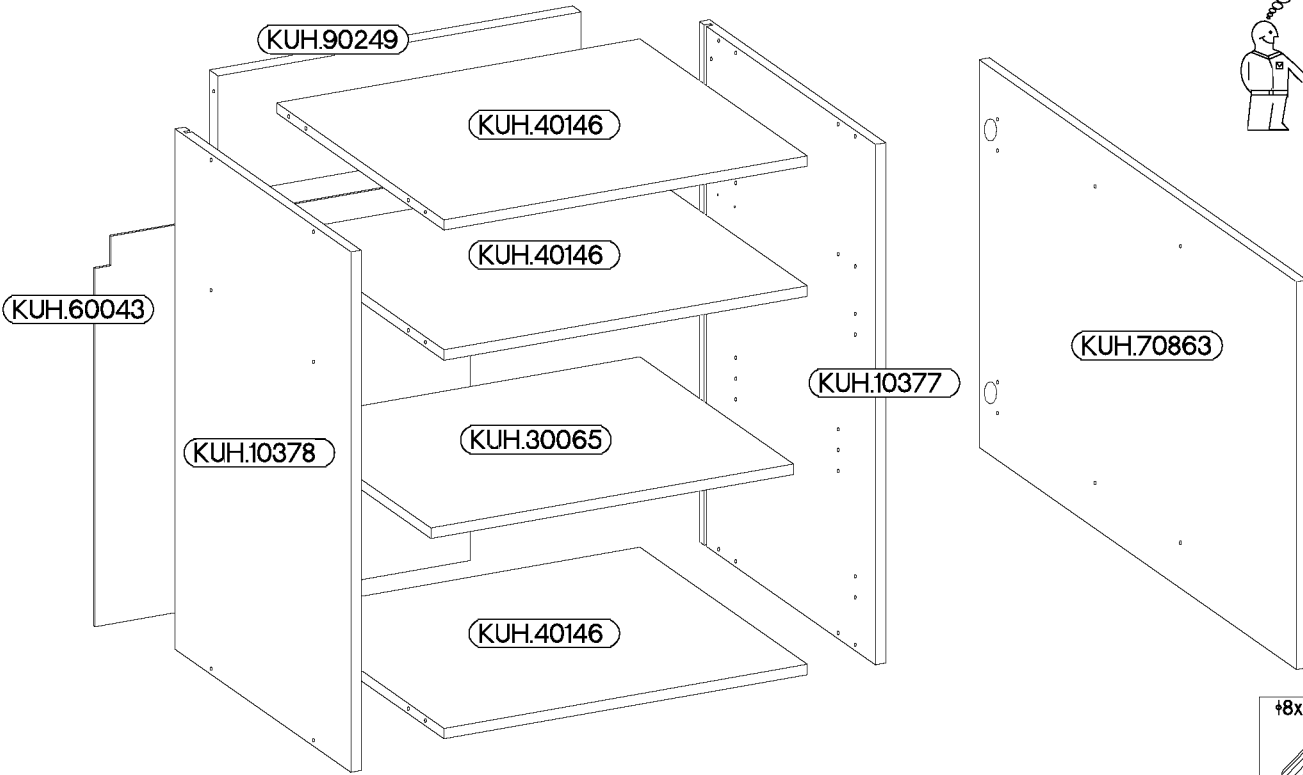
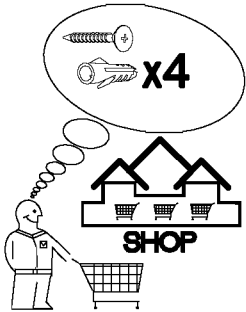


# NASHVILLE



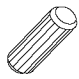
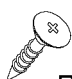

Colli	Ersatzteil Nummer	Dimension
Colli 4/7	KUH.10377	800x330x16
	KUH.10378	800x330x16
	KUH.30065	566x288x16
	KUH.40146 x3	567x314x16
	KUH.60043	596x585x2.5
	KUH.70863	596x596x16

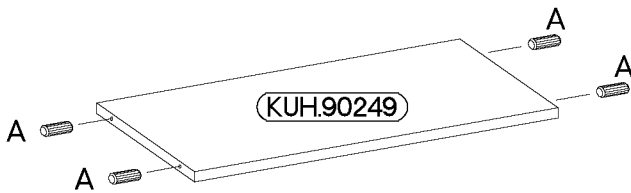
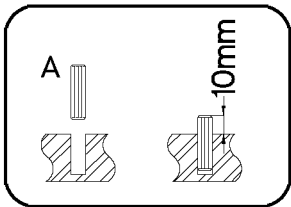
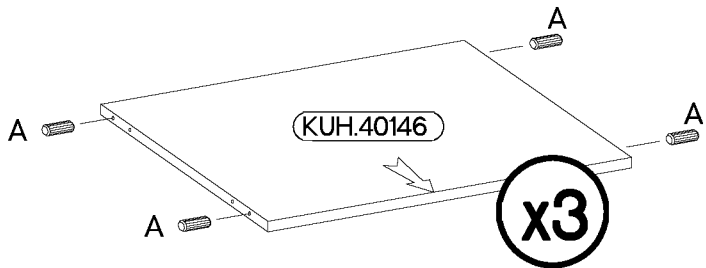
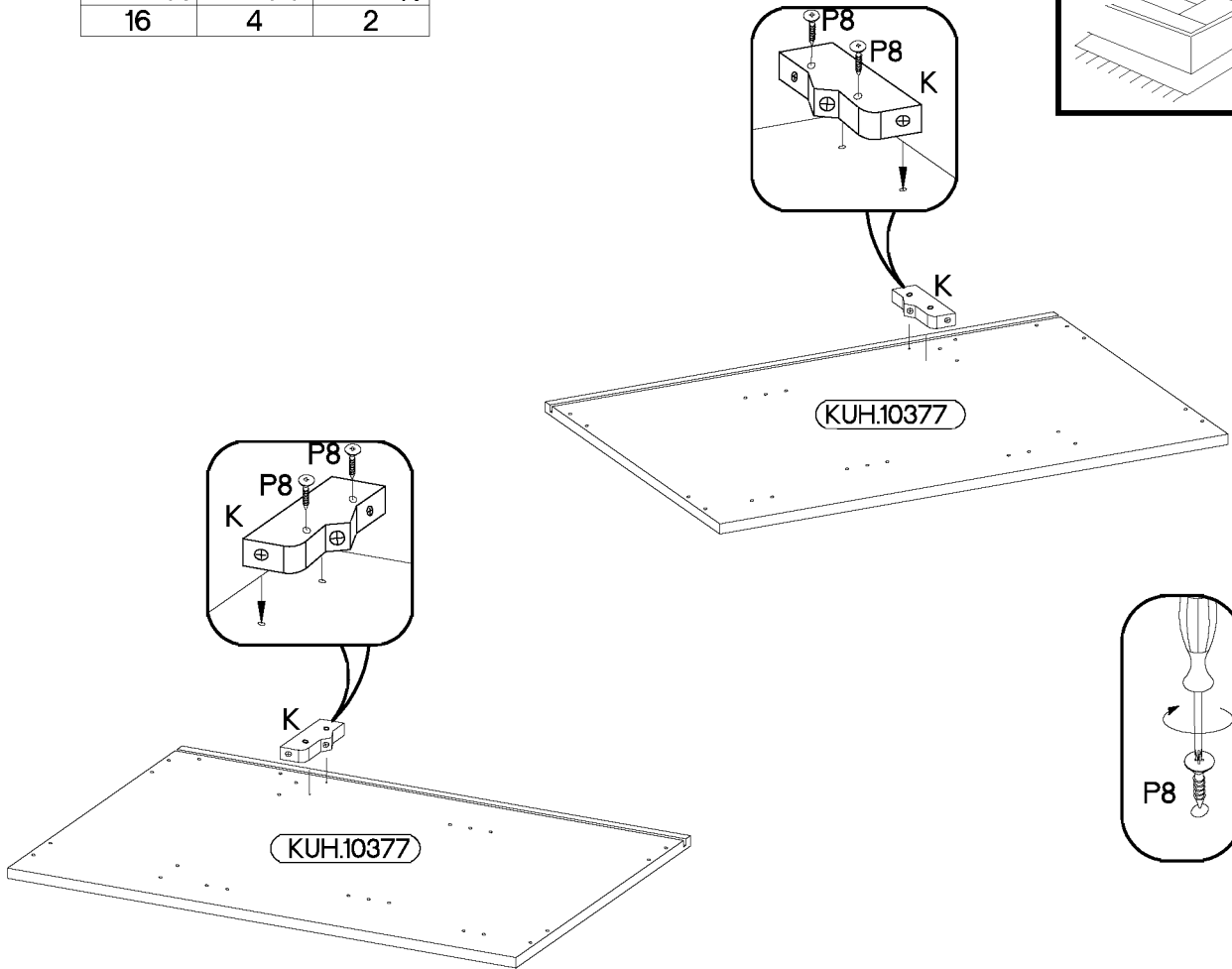
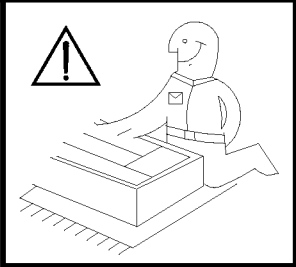
Colli	Ersatzteil Nummer	Dimension
Colli 5/7	KUH.90249	567x184x16



	+35/0mm				+3.5x13mm	+3.0x20mm	+4.0x30mm	+4.0x25mm	+8x30mm	6,4 x 50mm
	E1	HG	K	K16	P5	P7	P8	R	A	B
	12	2	2	2	4	10	4	1	16	12
		[CD]							L=160mm	M4x22mm
									S	U
									1	2

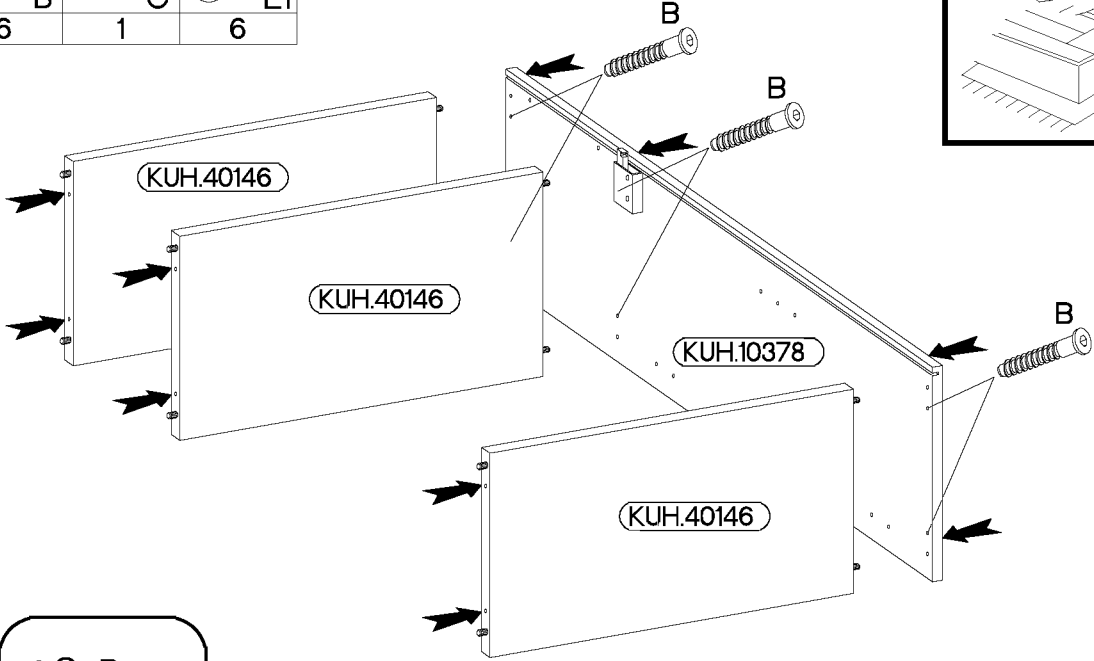
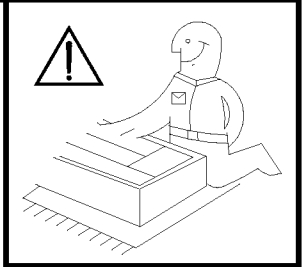
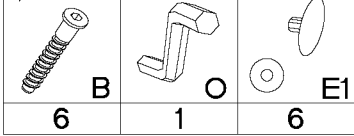
57

 +8x30mm A	 +4.0x30mm P8	 K
16	4	2

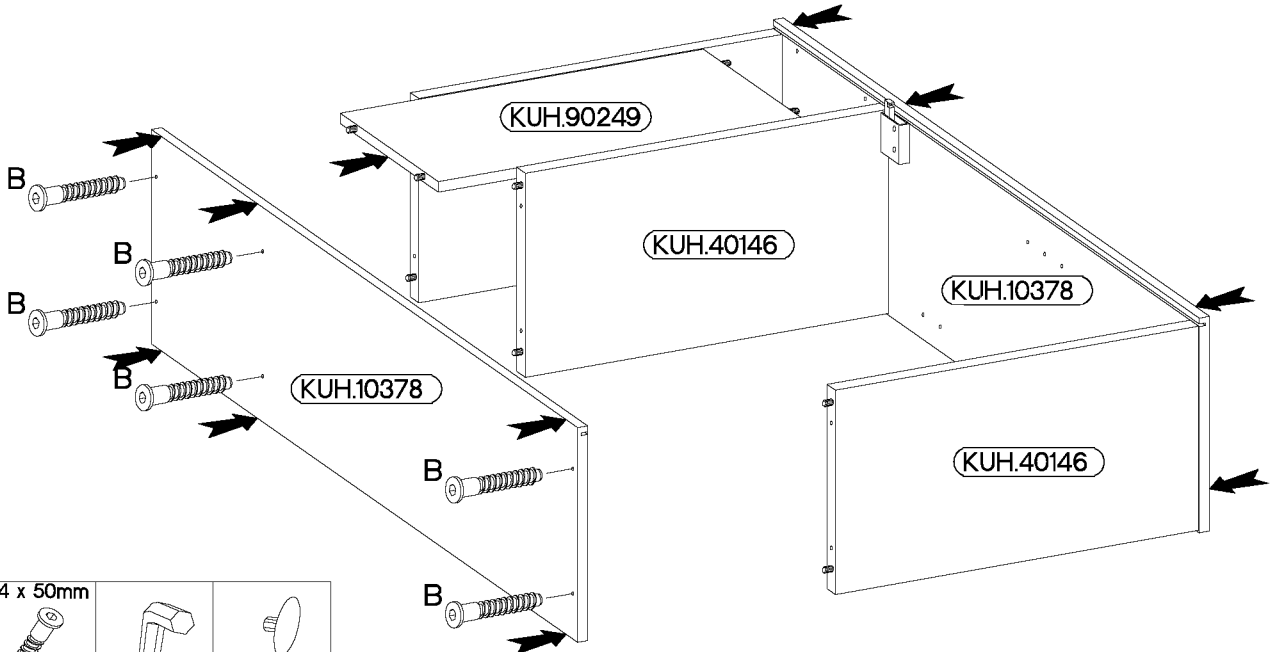
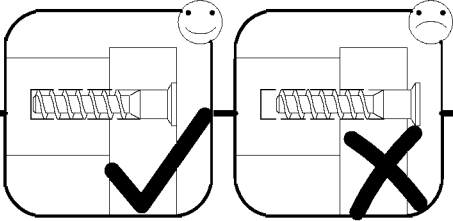
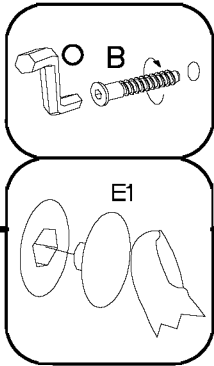


58

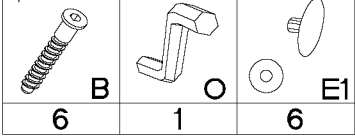
6,4 x 50mm



59

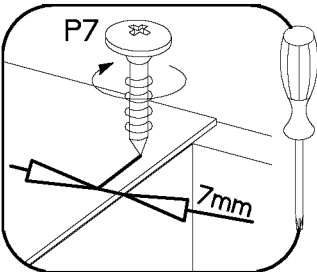
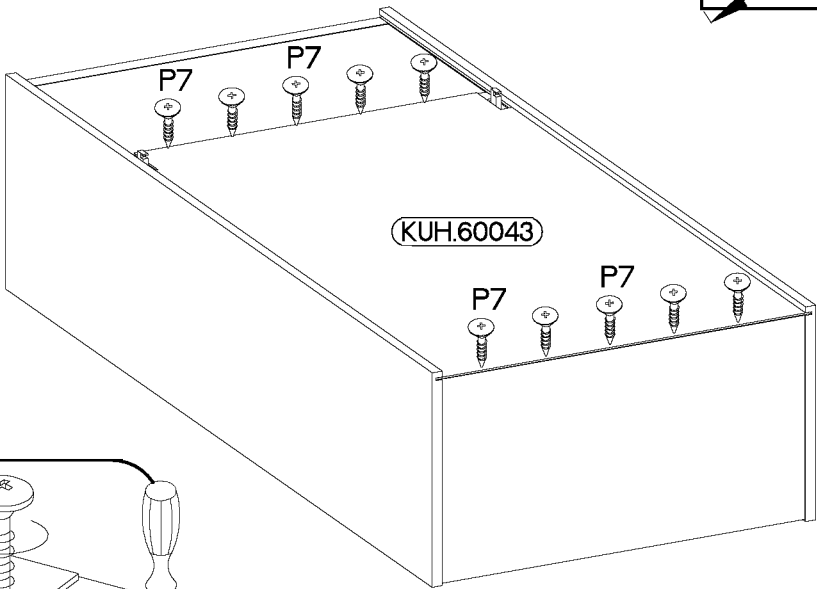
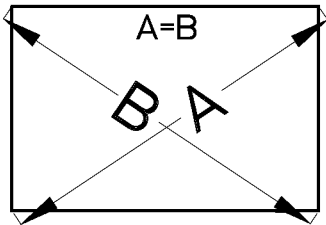
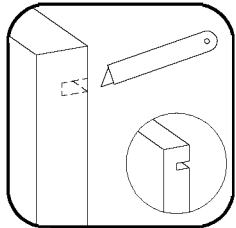
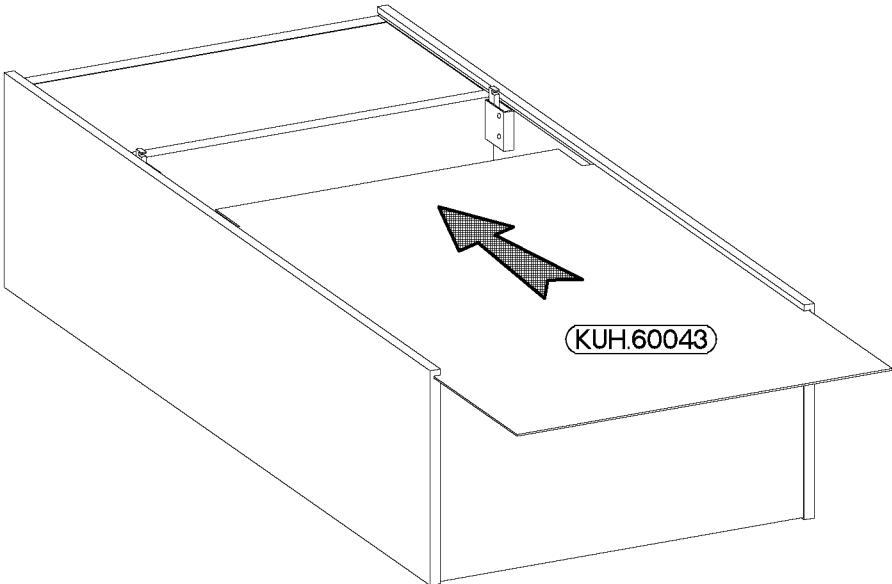
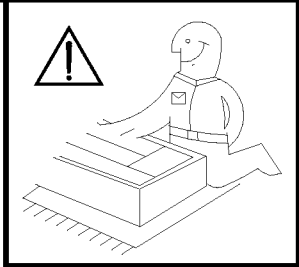


6,4 x 50mm

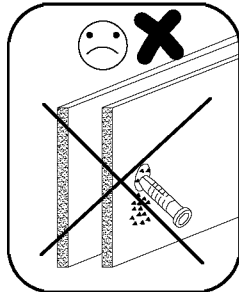
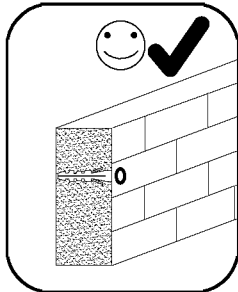
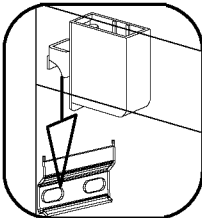
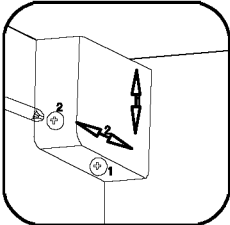
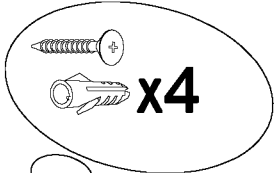
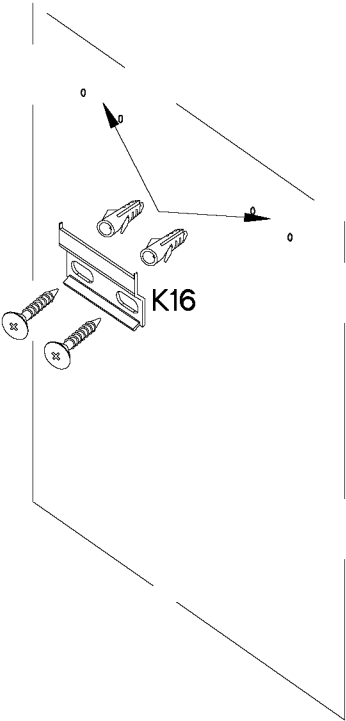
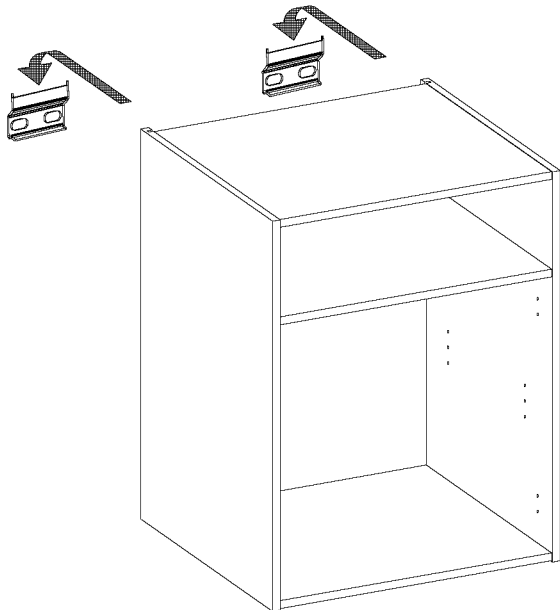
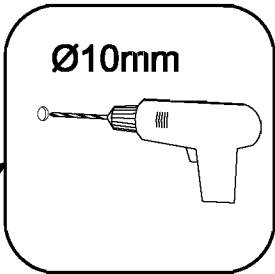
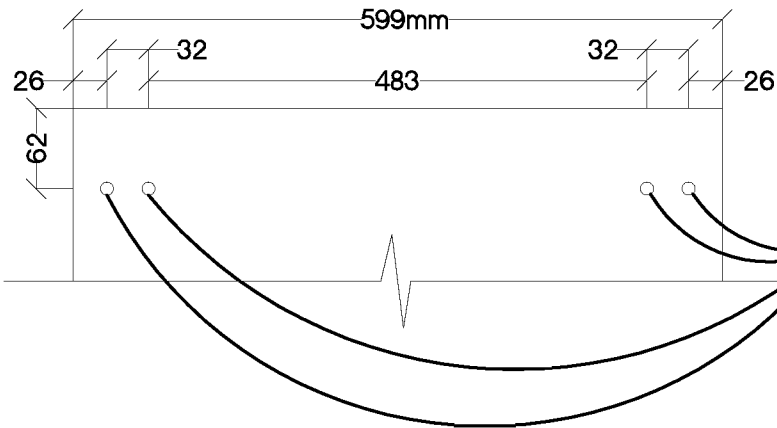
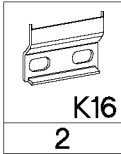


60

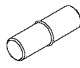
3.0x20mm  
P7  
10

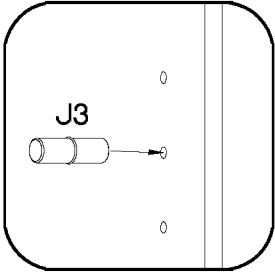
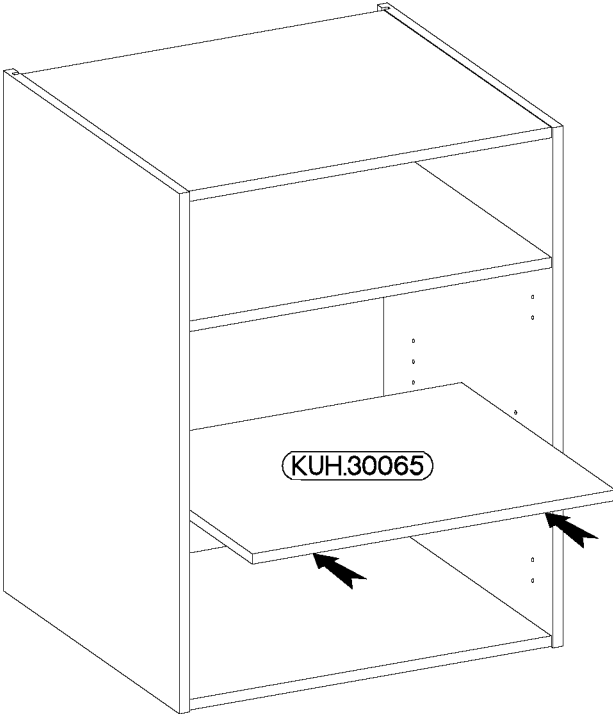


61





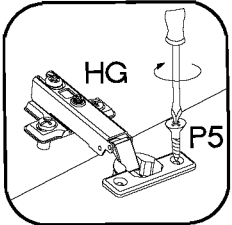
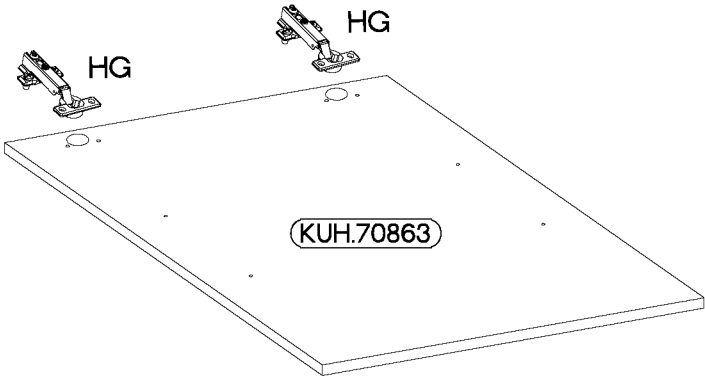
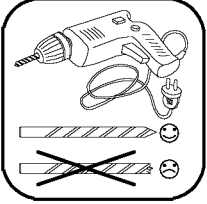
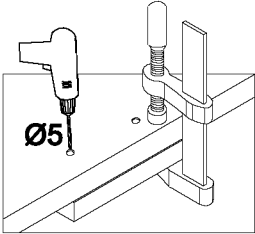
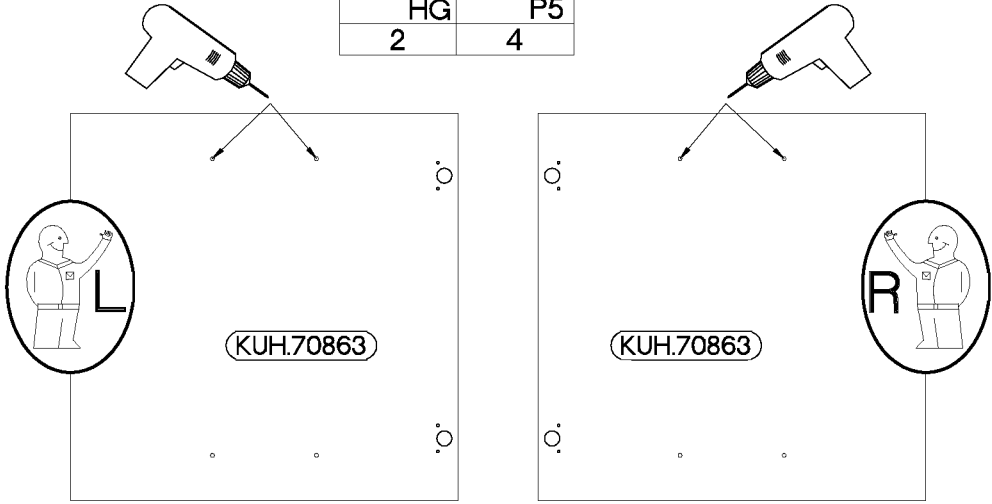
62

±5/16mm

J3
4





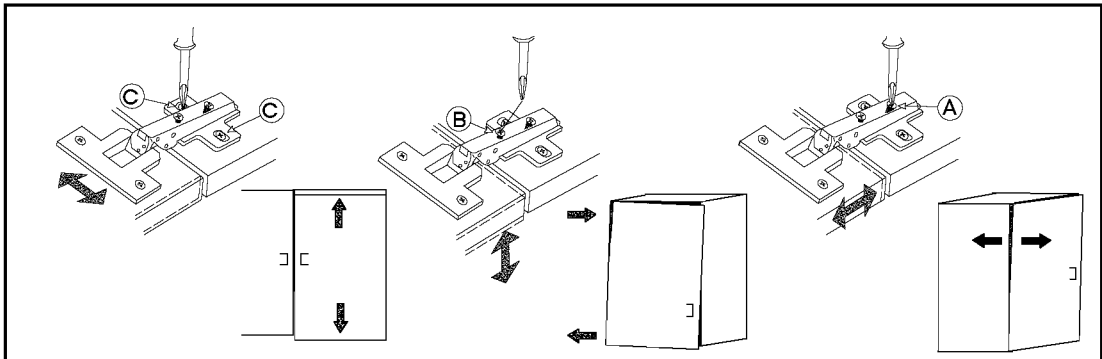
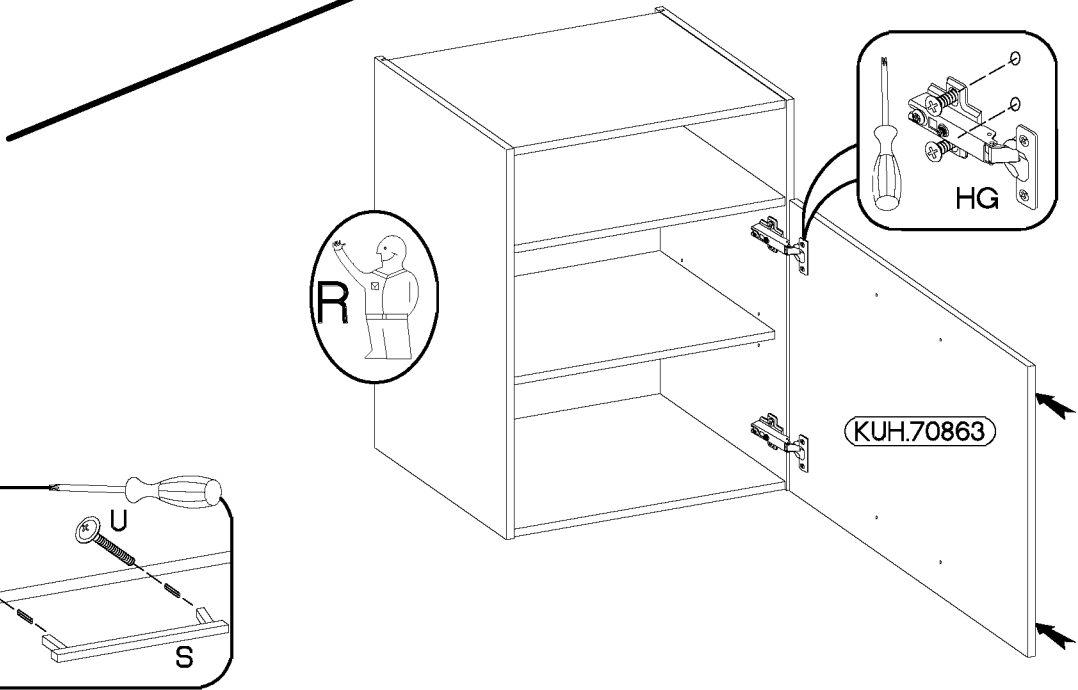
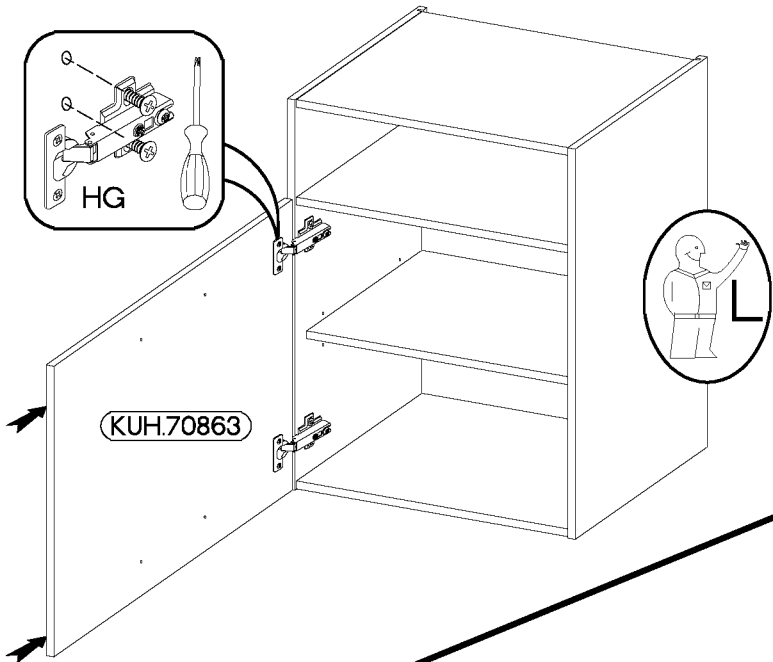
63

±35/0mm	±3.5x13mm
	
[CD] HG	P5
2	4

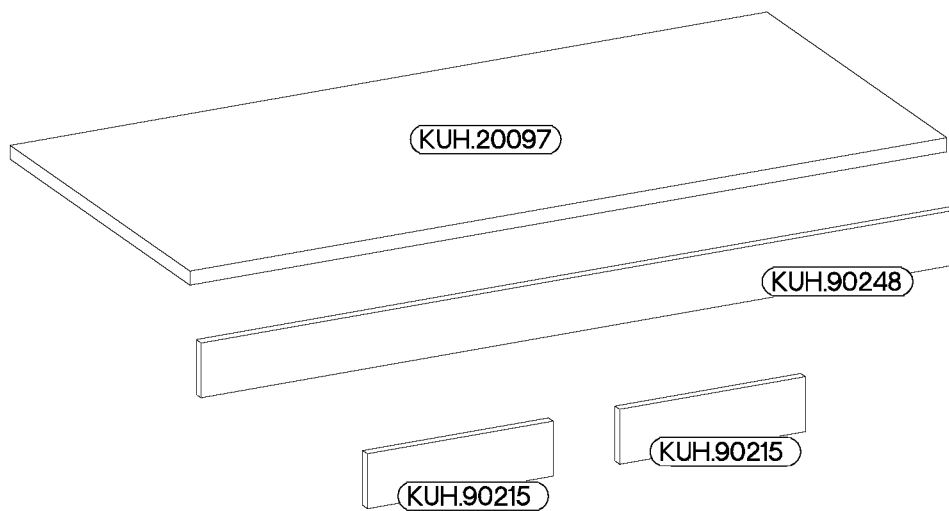
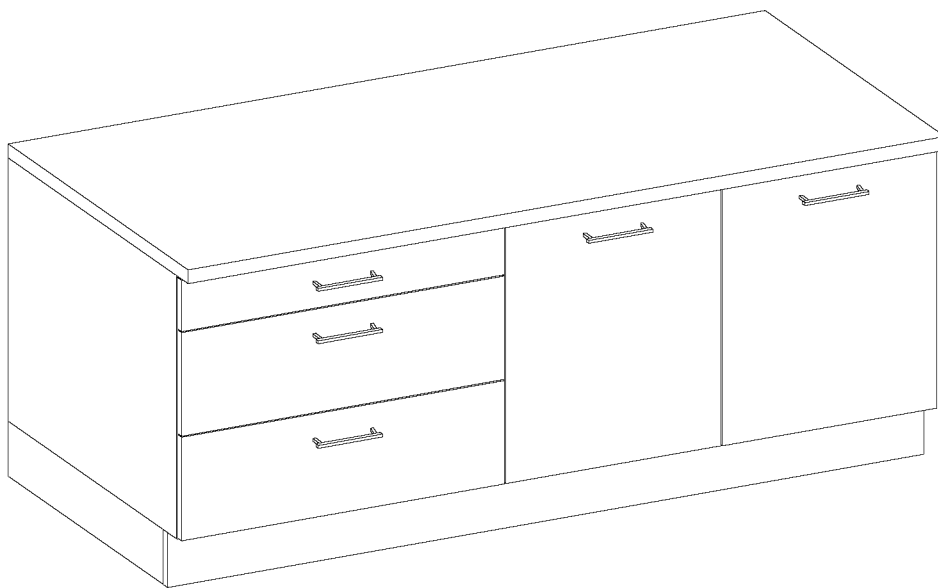
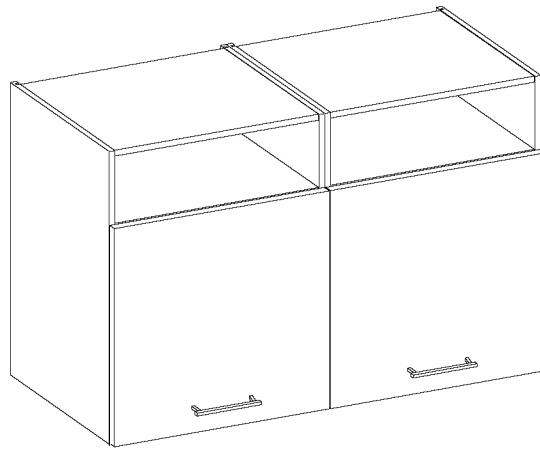


64

L=160mm	M4x22mm
	
S	U
1	2

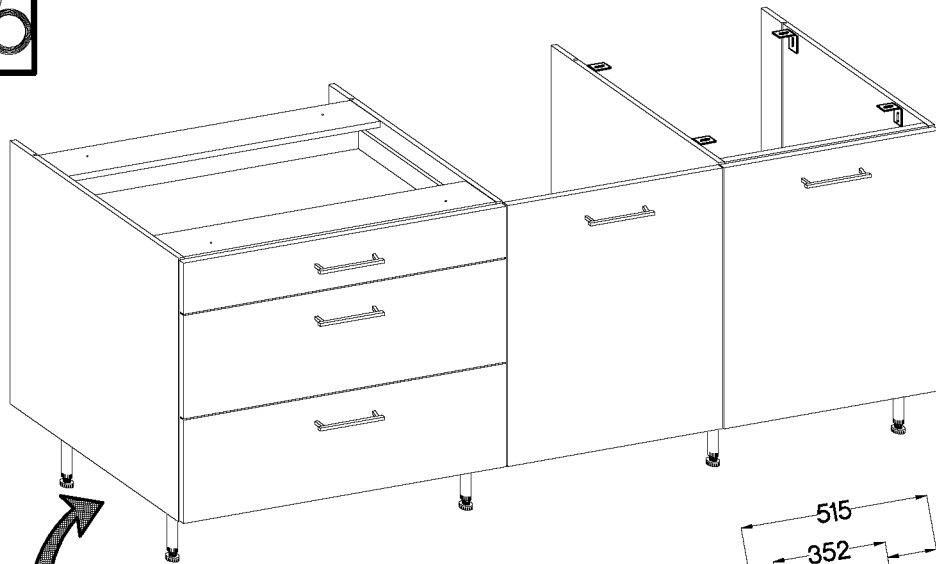




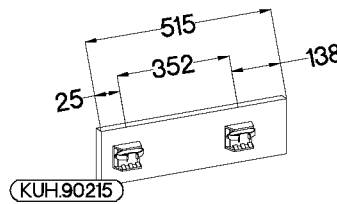
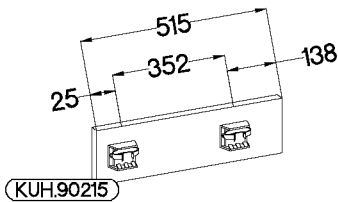


Colli	Ersatzteil Nummer	Dimension
Colli 7/7	KUH.20097	2100x600x38
	KUH.90215 x2	515x150x16
	KUH.90248	2099x150x16

65

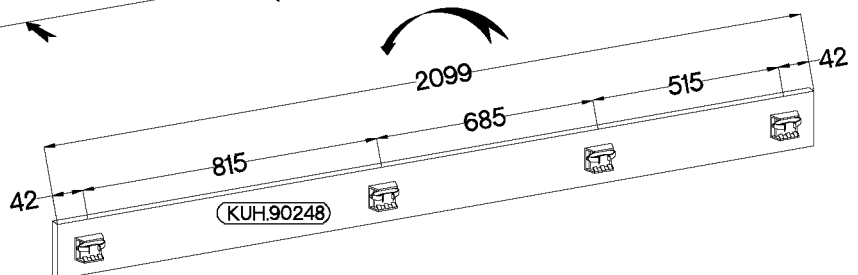
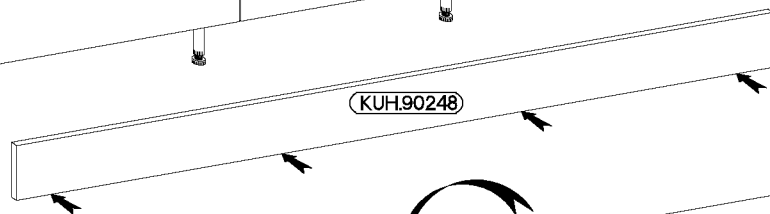
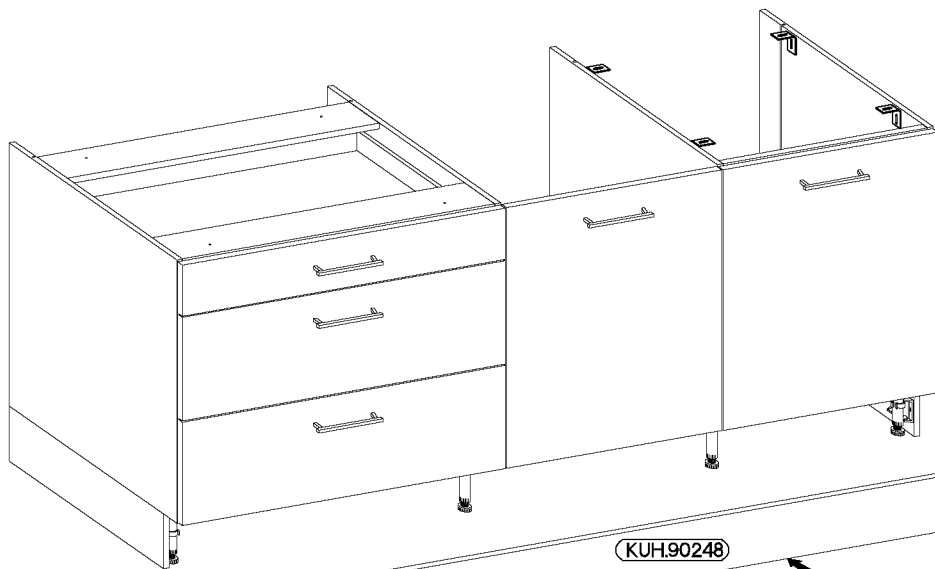


±3.5x13mm		
	P5	F16
	8	4





66

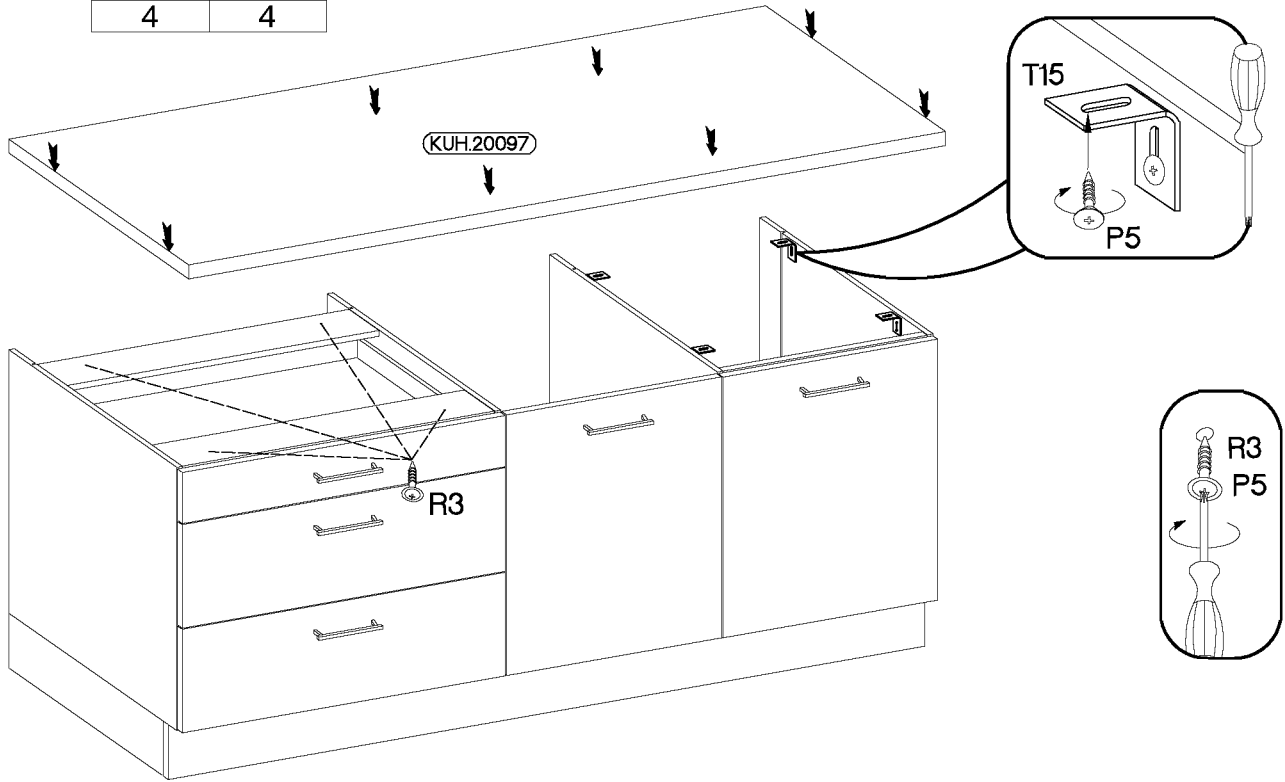
- 1.
- 2.
- 3.
- 4.




±3.5x13mm		
	P5	F16
	8	4

67

±3.5x13mm	±4.0x35mm
	
P5	R3
4	4



68

±4.0x25mm

R
2

