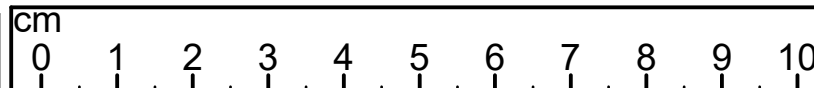
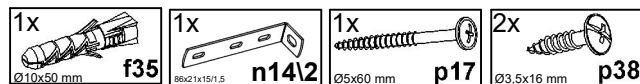
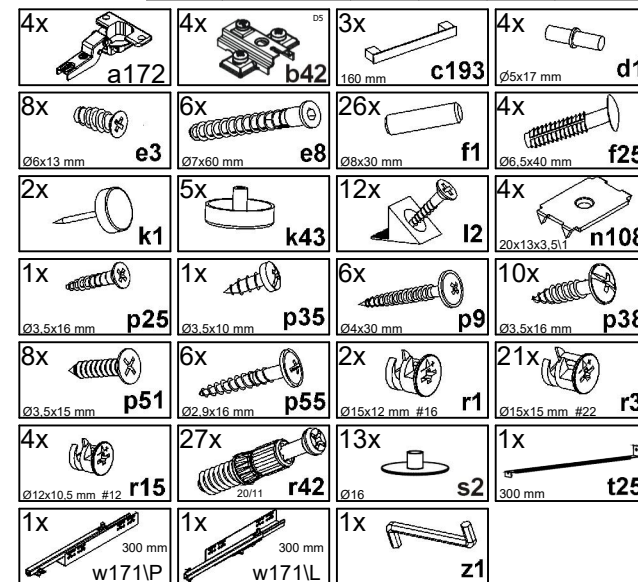
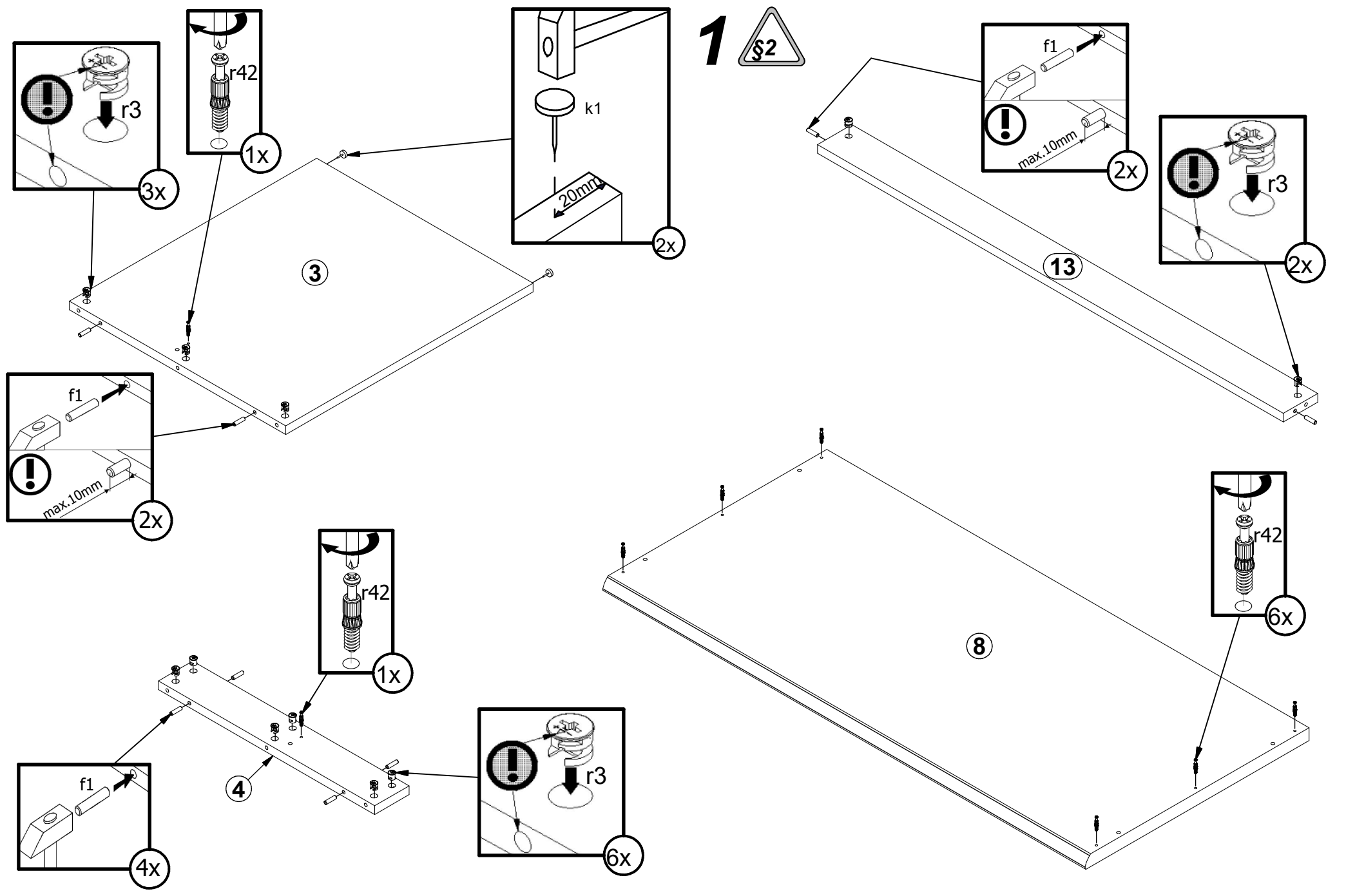


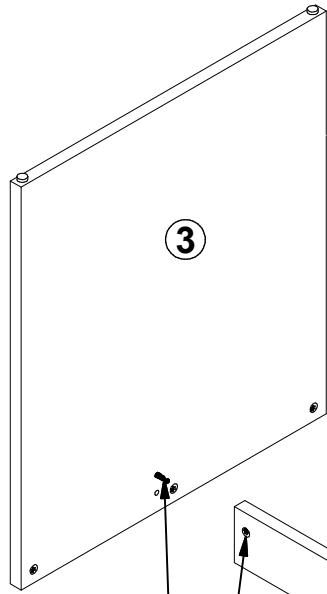
A	B	C1	C2	C3	D
1	S516-0004	610	160	15	1/3
2	S516-0005	400	303	15	1/3
3	S516-1013	718,	628	22	2/3
4	S516-1014	100	628	22	2/3
5	S516-1015	569	398	22	1/3
6	S516-1016	569	398	22	1/3
7	S516-1017	569	378	22	1/3
8	S516-2007	1400	650	32	2/3
9	S516-2008	1300	400	22	3/3
10	S516-2009	1300	400	22	3/3
11	S516-3006	615	359,	15	3/3
12	S516-3007	616	378	22	3/3
13	S516-4003	1352	100	22	2/3
14	S516-4004	616	80	15	1/3
15	S516-9305	579	633	2,5	1/3
16	S516-9306	579	631	2,5	1/3
17	WSP-9228	586	308	2,5	3/3
18	ZQ6-5054	577	97	15	1/3
19	ZQ6-517	300	110	12	1/3
20	ZQ6-518	300	110	12	1/3





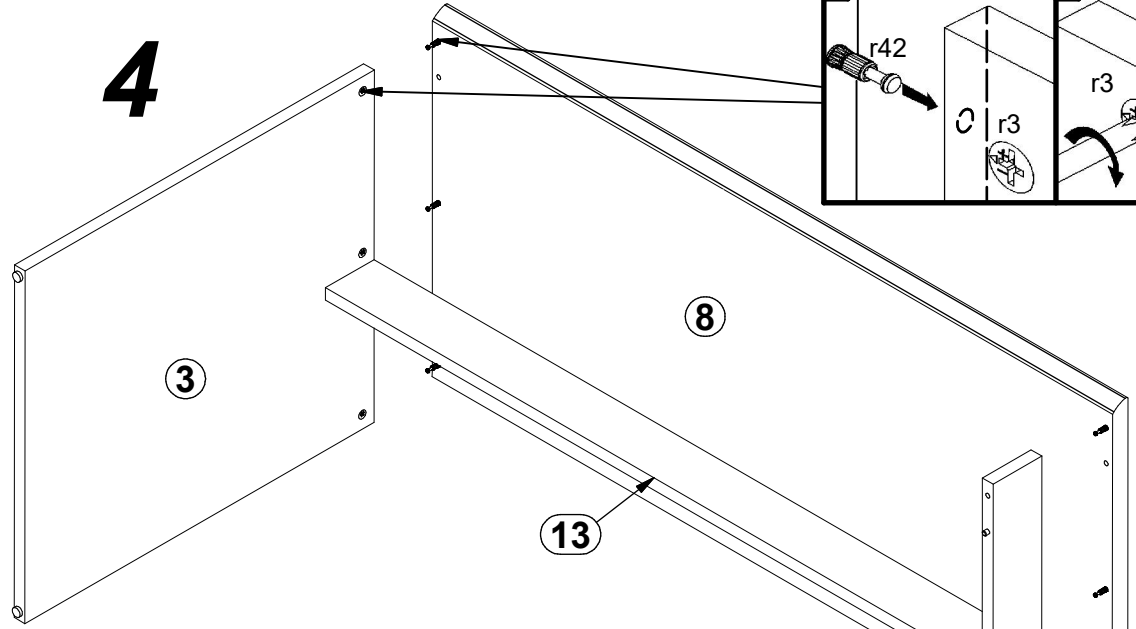


3



3

4

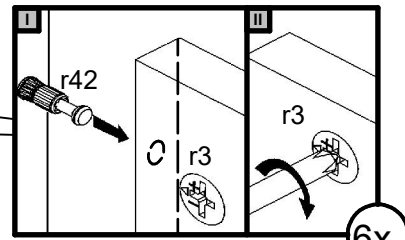


3

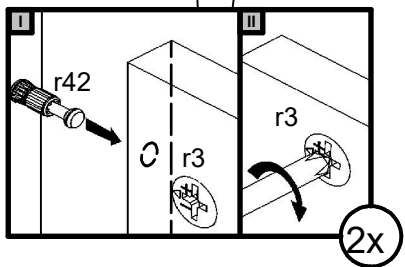
8

13

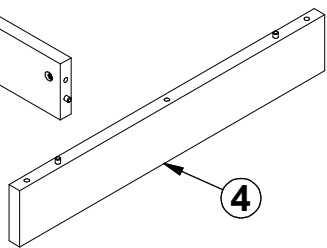
4



6x

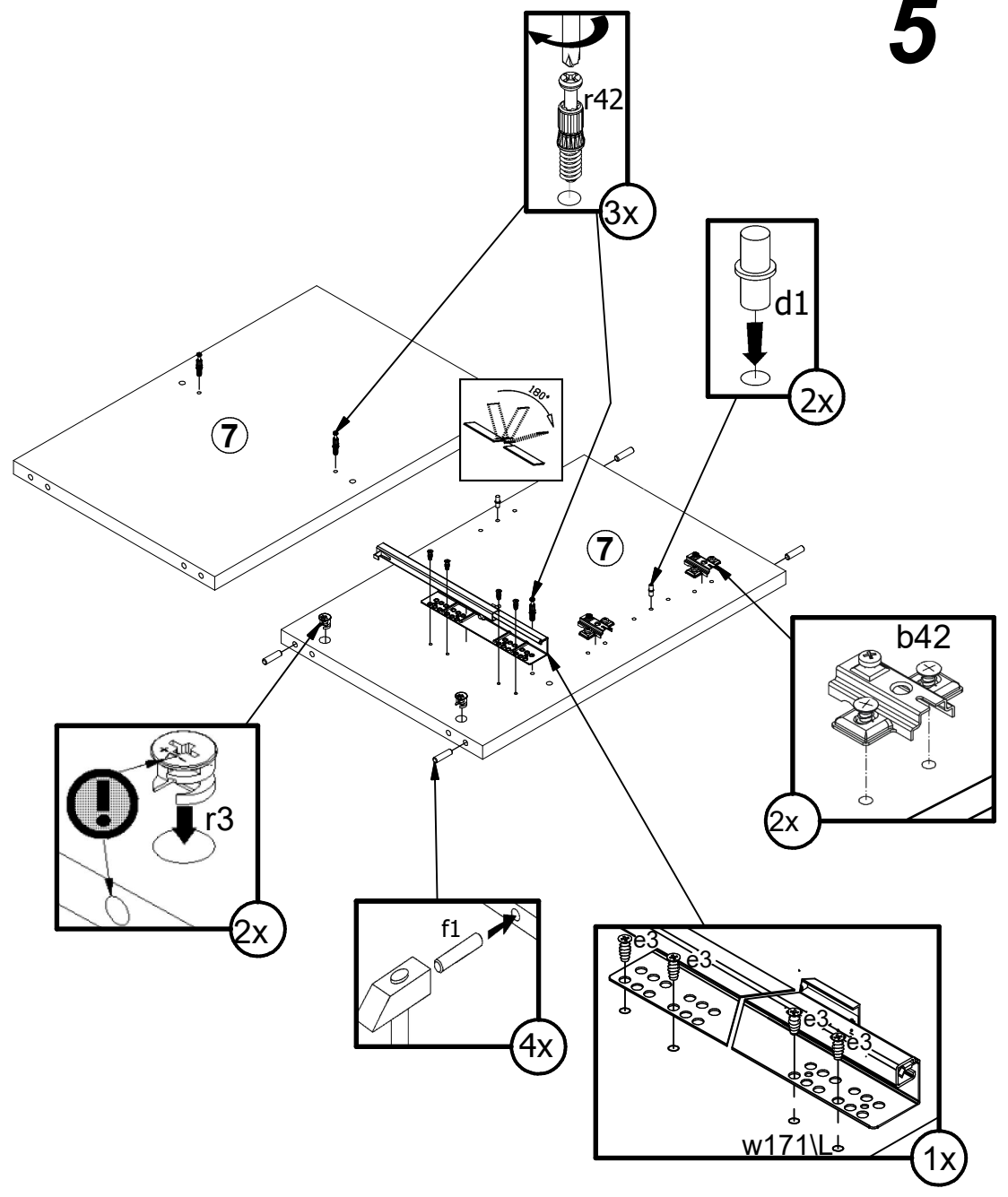
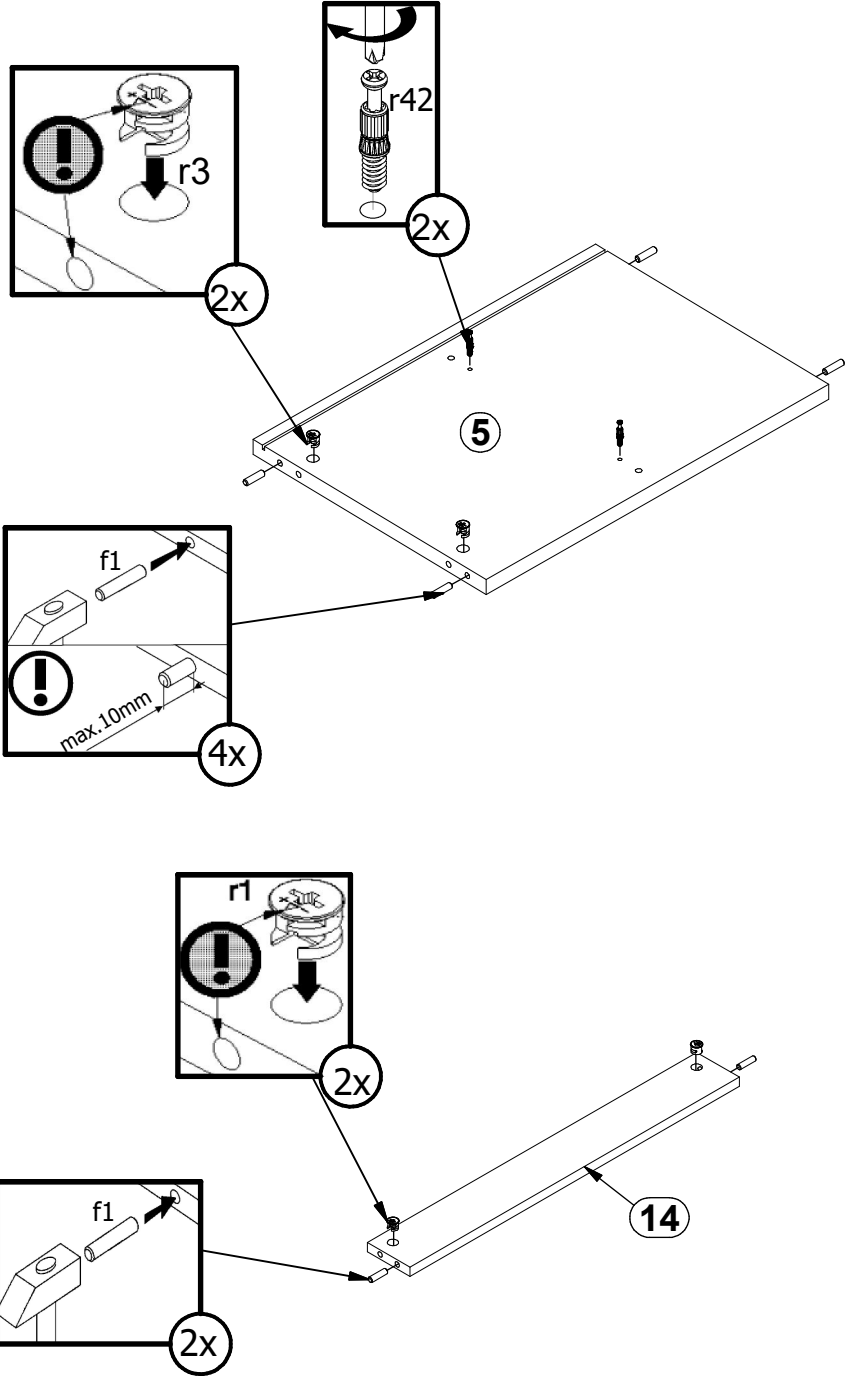


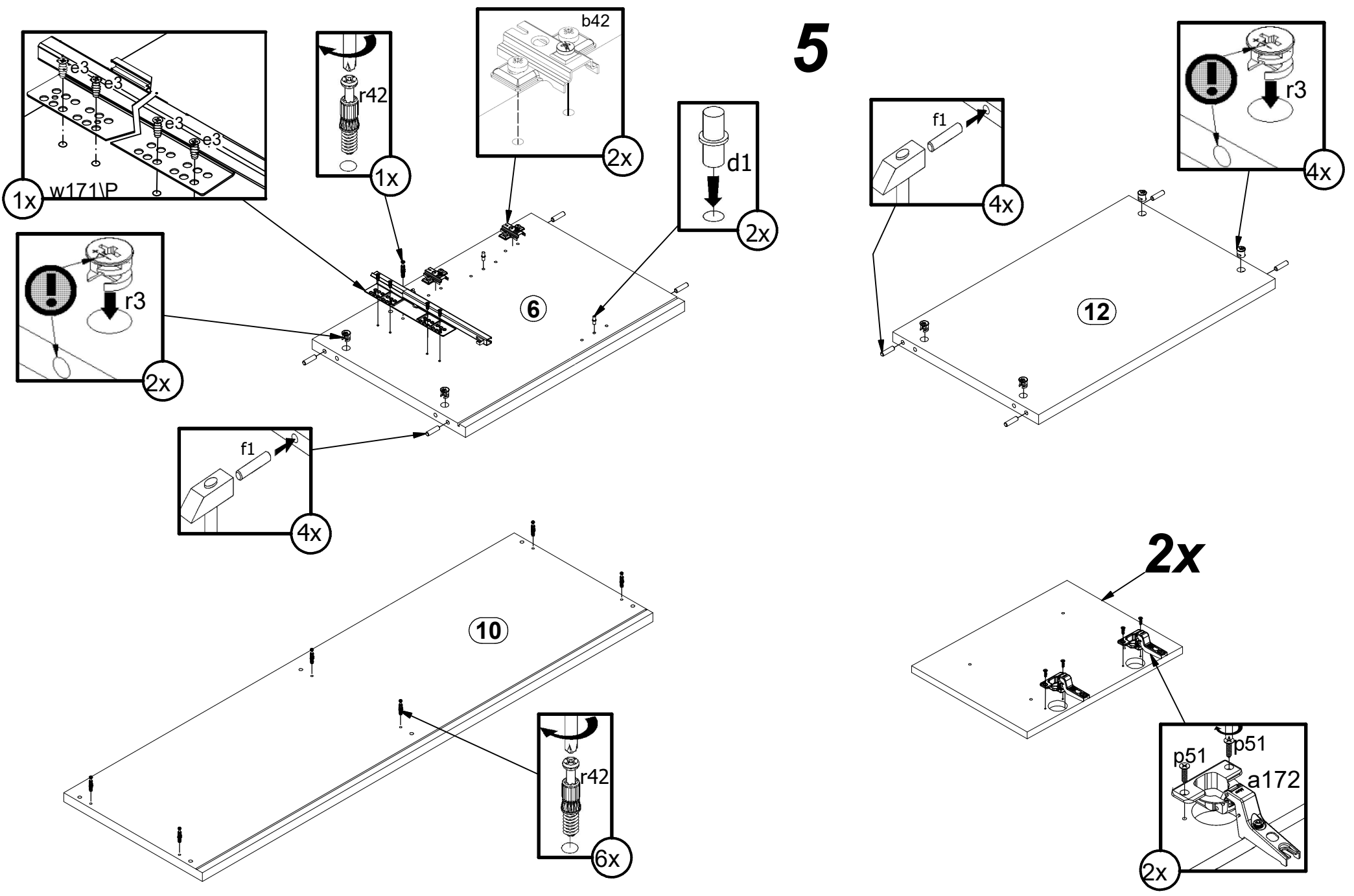
2x



4

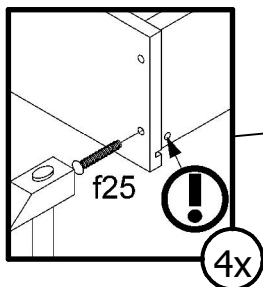
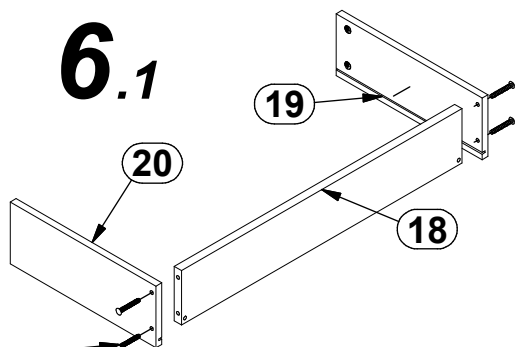
5



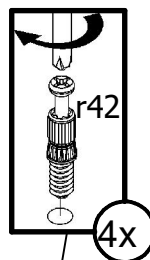
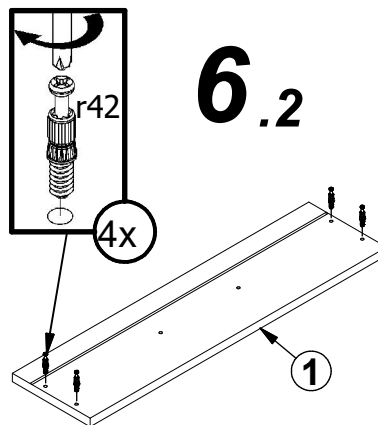




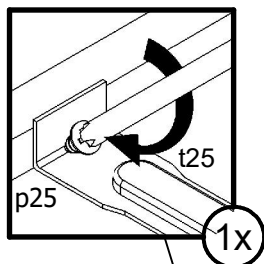
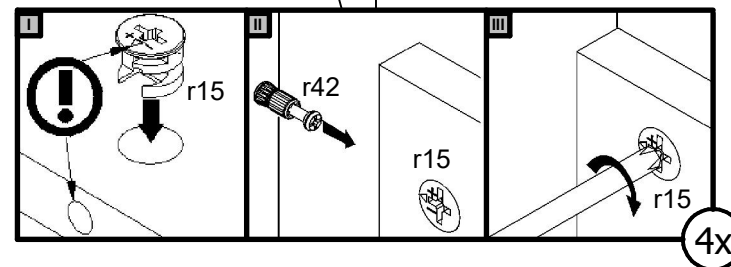
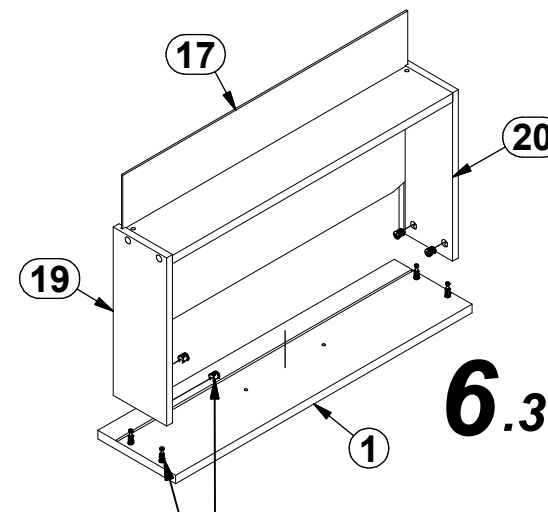
6.1



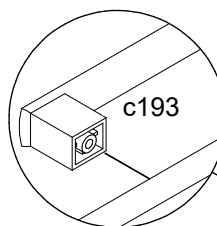
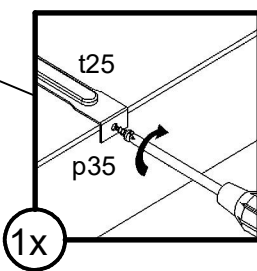
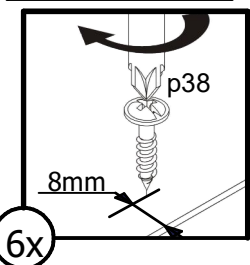
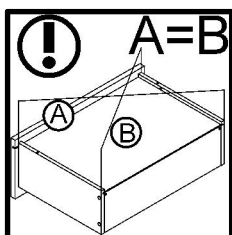
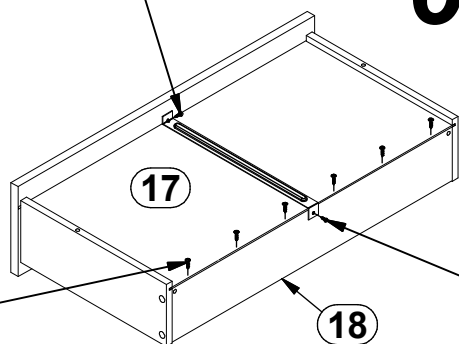
6.2



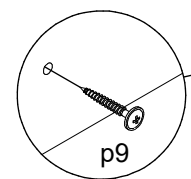
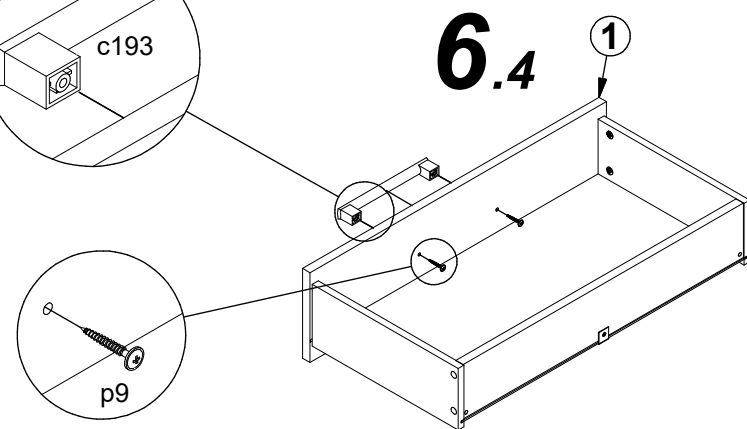
6.3

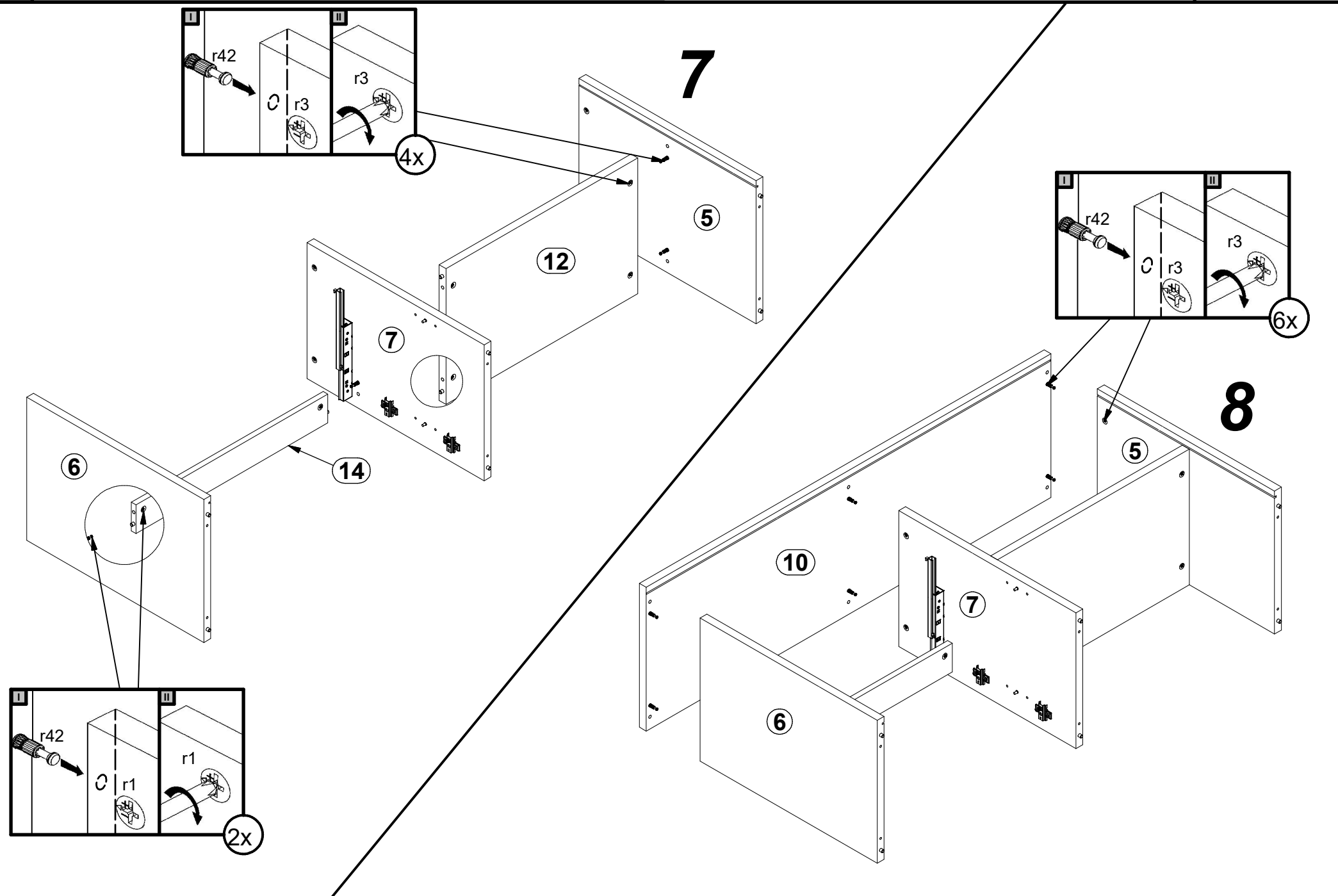


6.4

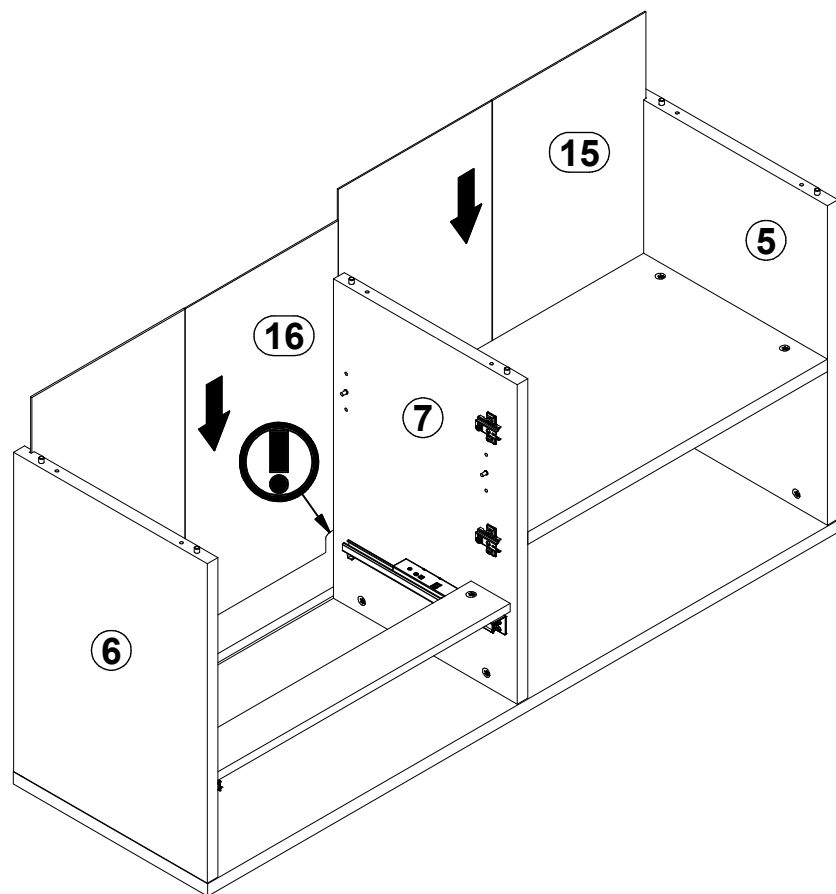


6.4

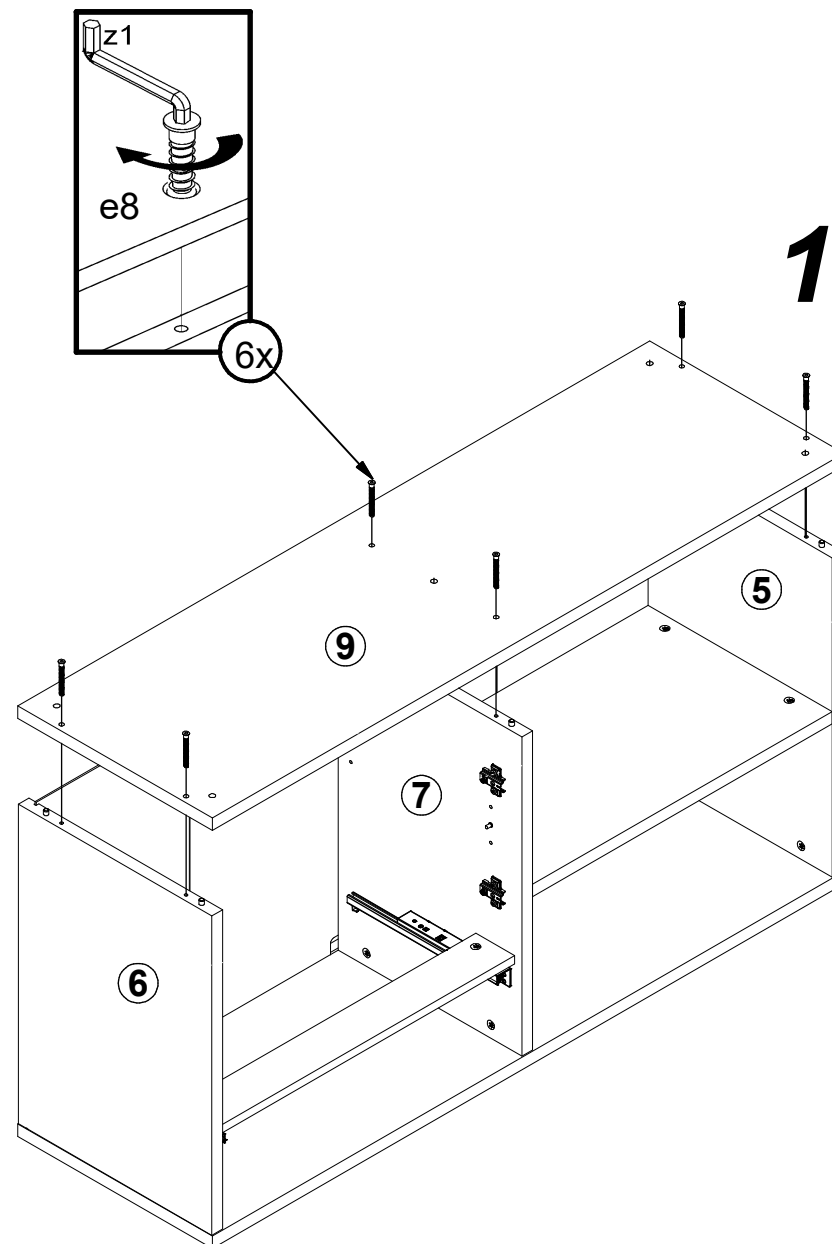




9



10



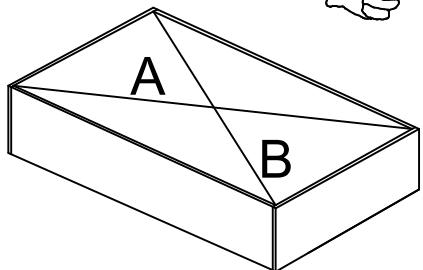
A

S516-BIUN2D1S

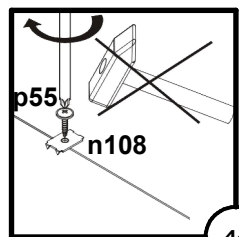
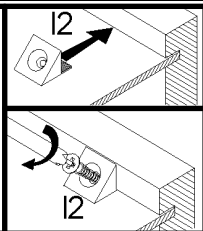
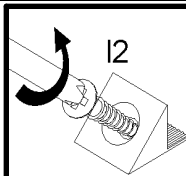
39-015

10 / 12

A=B

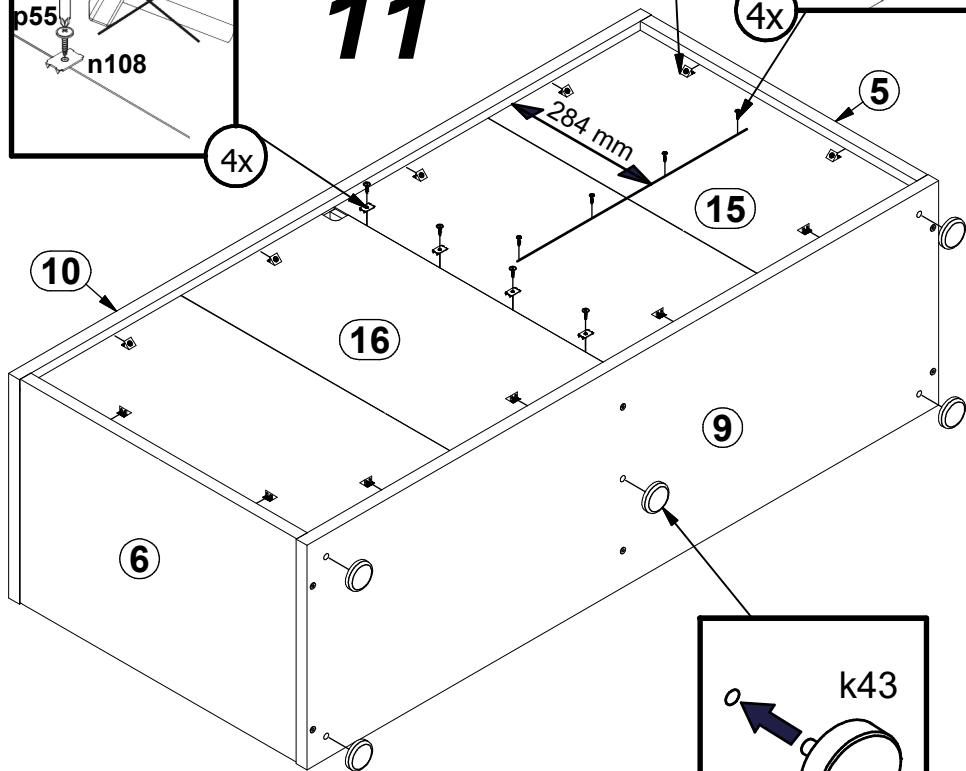
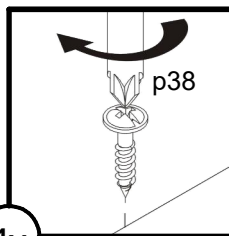


12x

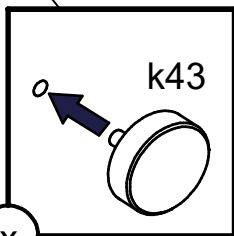


11

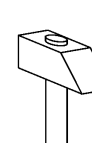
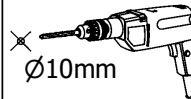
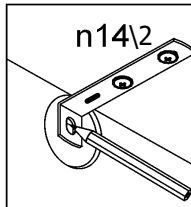
4x



5x

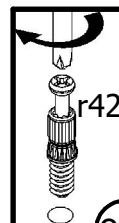
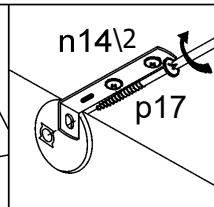


n14\2



n14\2

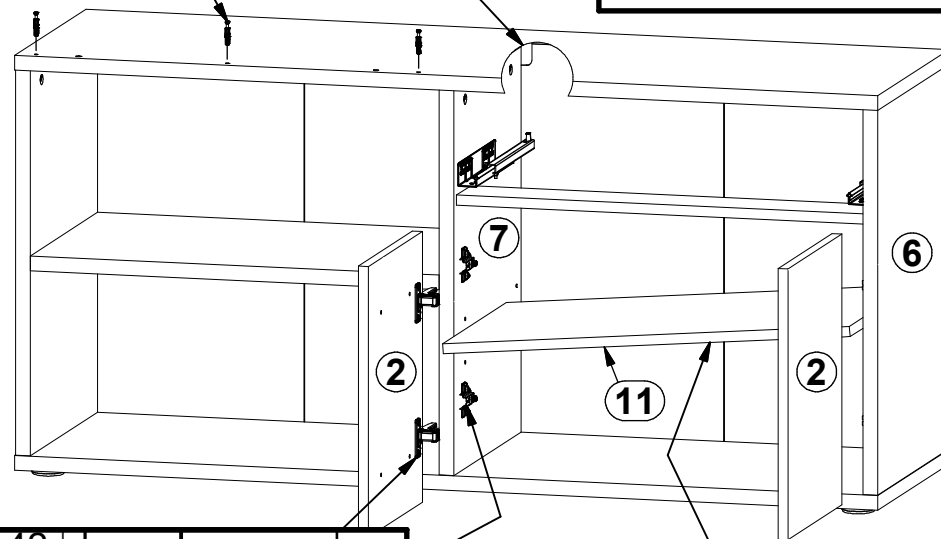
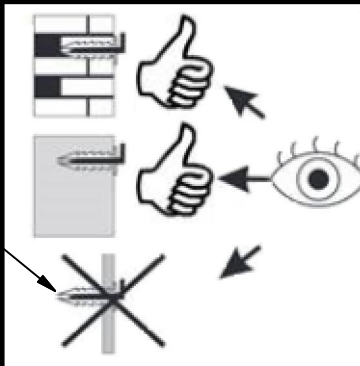
p17



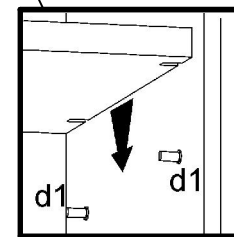
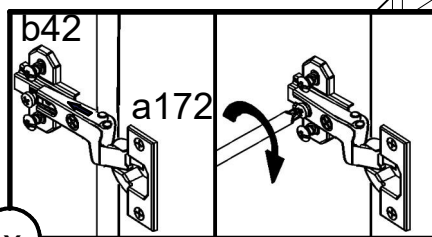
3x

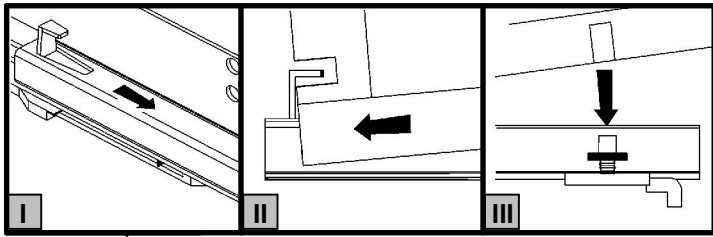


12

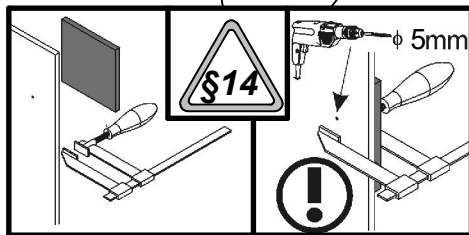
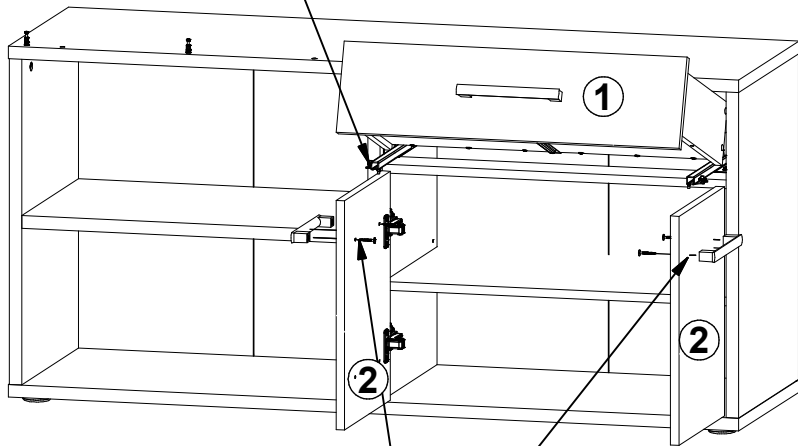


4x

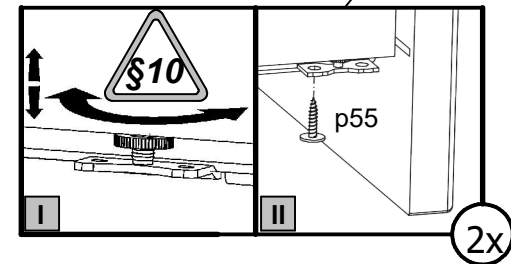
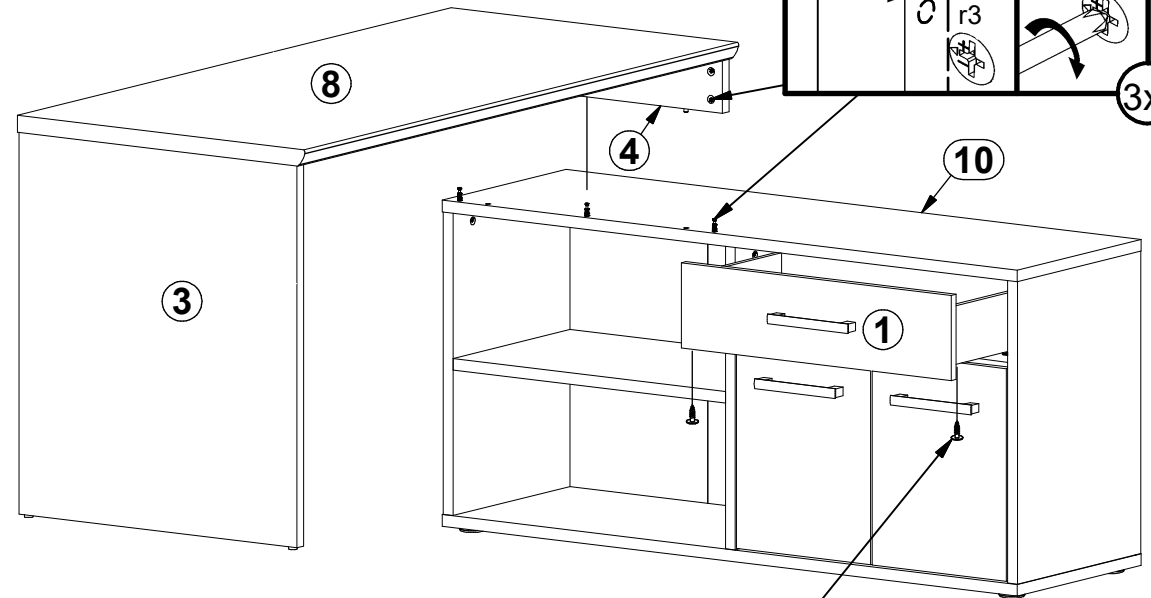
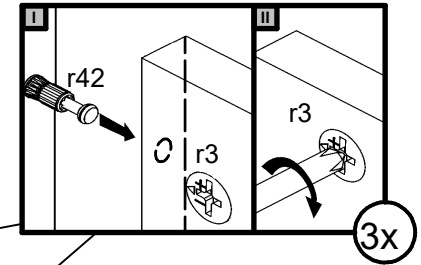




13



14



15

