

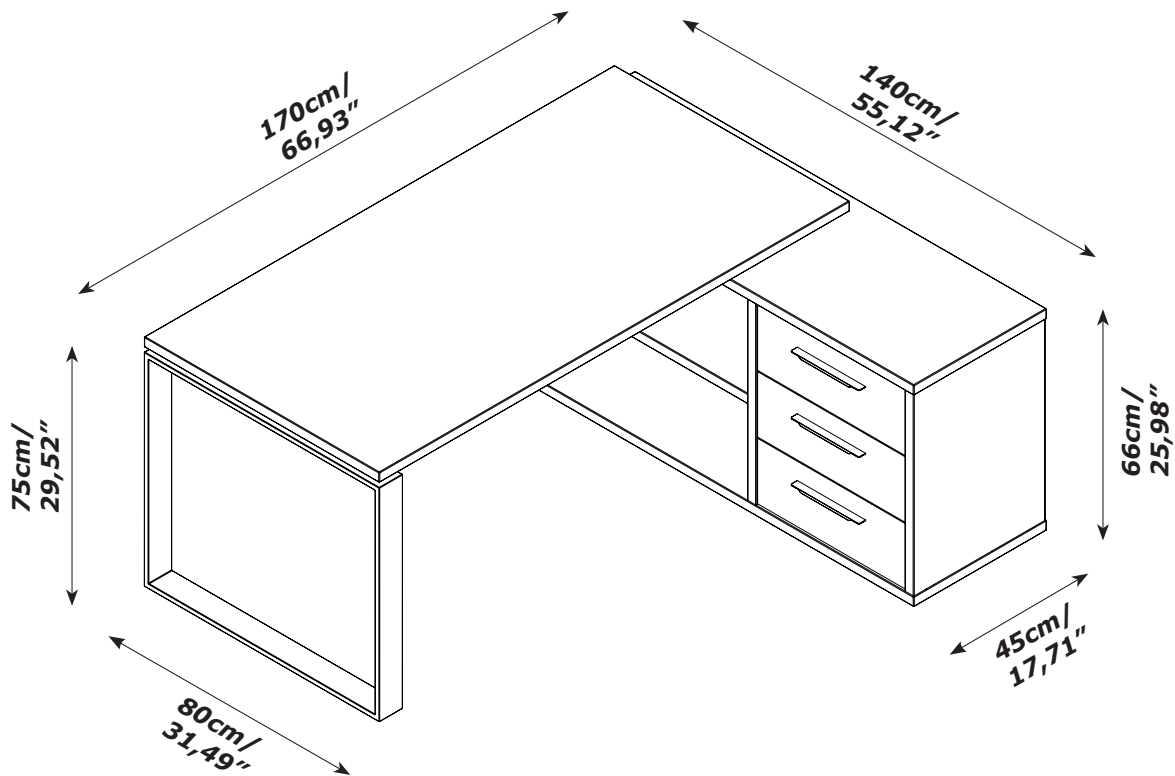
# SR0768B



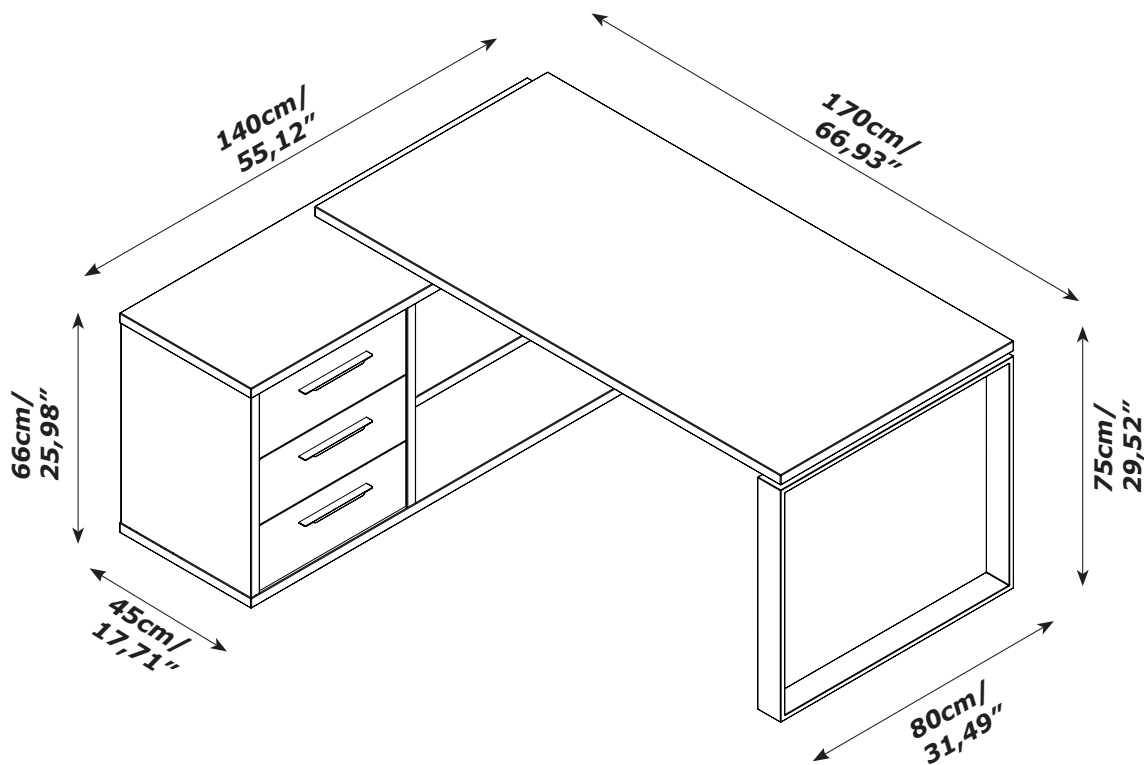
FSC  
www.fsc.org

MIX  
Wood from  
responsible sources  
FSC® C011298

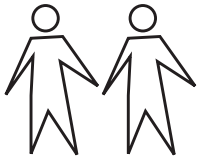
**A**



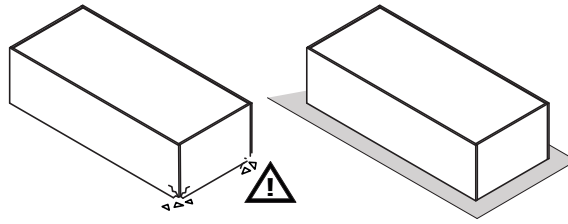
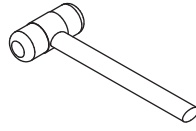
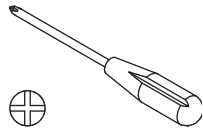
**B**



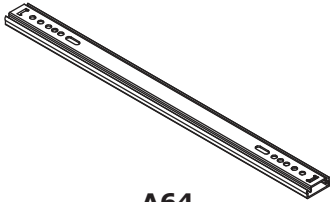
QF5184



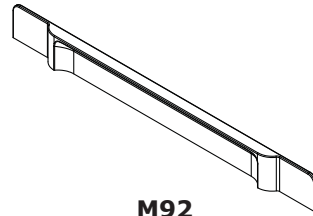
2h



### BU3898



**A64**  
x6



**M92**  
x3

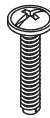
### BU3897



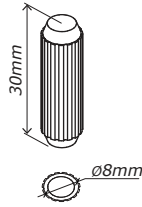
**H54**  
x12



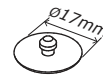
**V5**  
x12



**V32**  
x6



**H1**  
x20



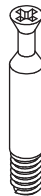
**G57**  
x4



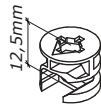
**R40**  
x4



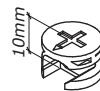
**G128**  
x6



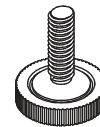
**T28**  
x18



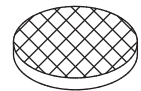
**T97**  
x12



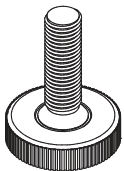
**T98**  
x6



**P34**  
x2



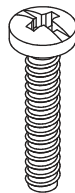
**H139**  
x2



**P14**  
x6



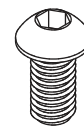
**H118**  
x6



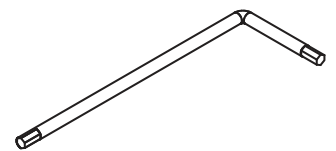
**V118**  
x4



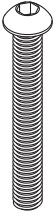
**V38**  
x6



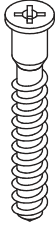
**V143**  
x2



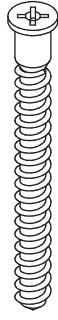
**H138**  
x1



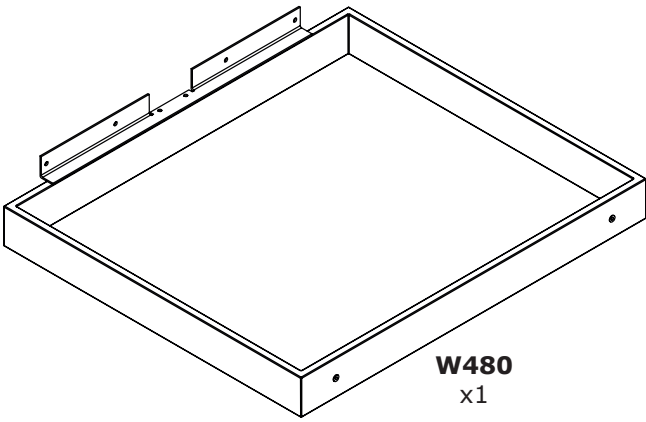
**V153**  
x2



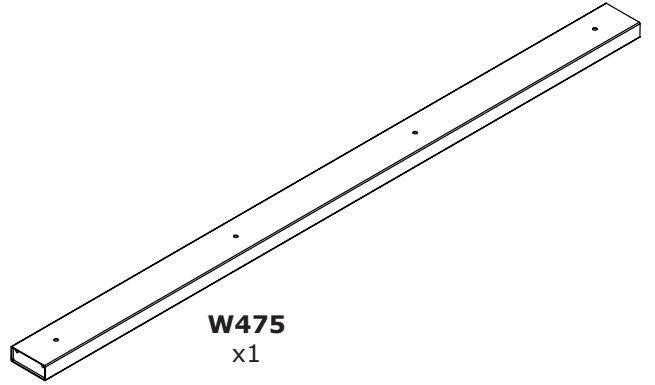
**V45**  
x4



**V115**  
x4

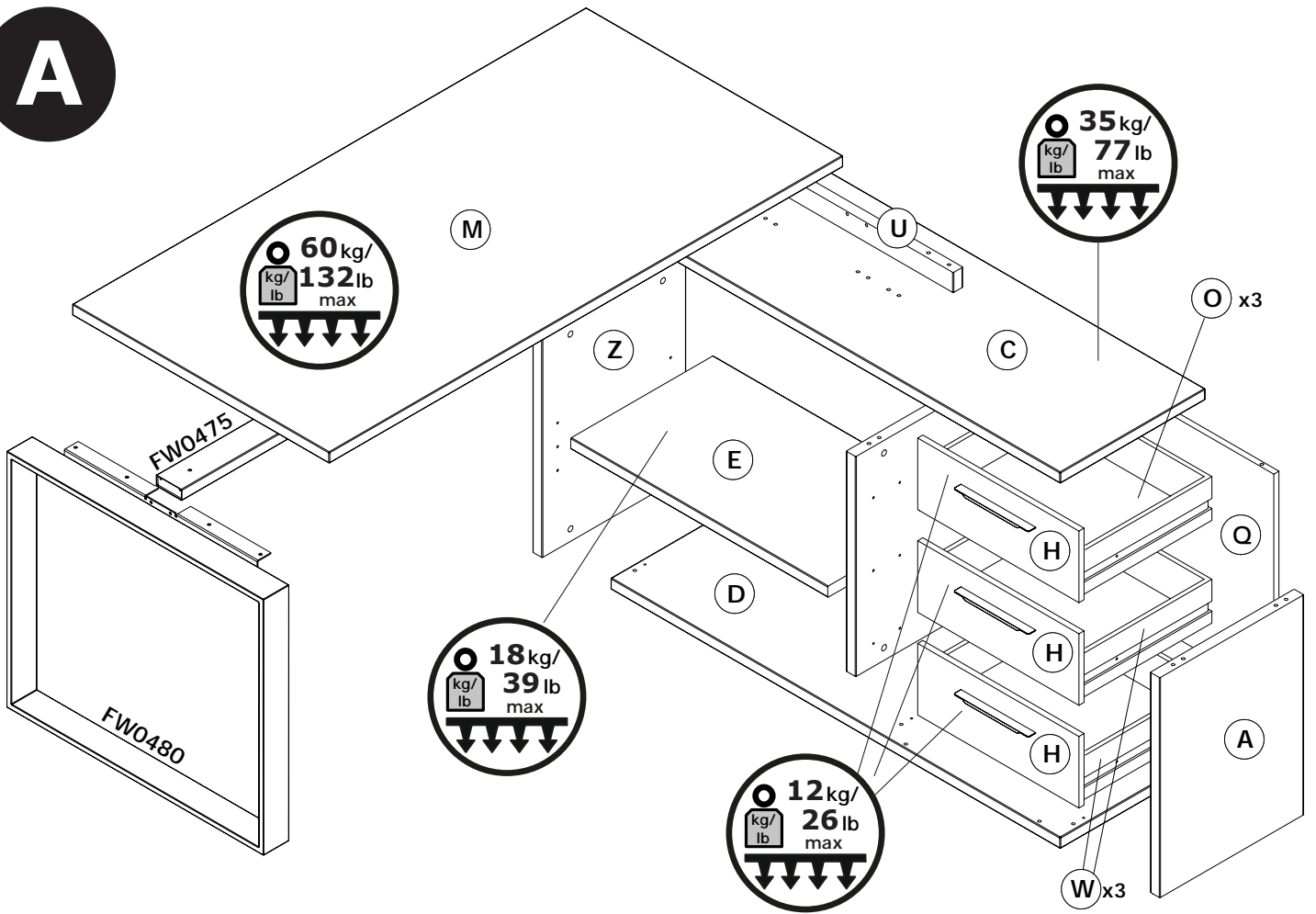


**W480**  
x1

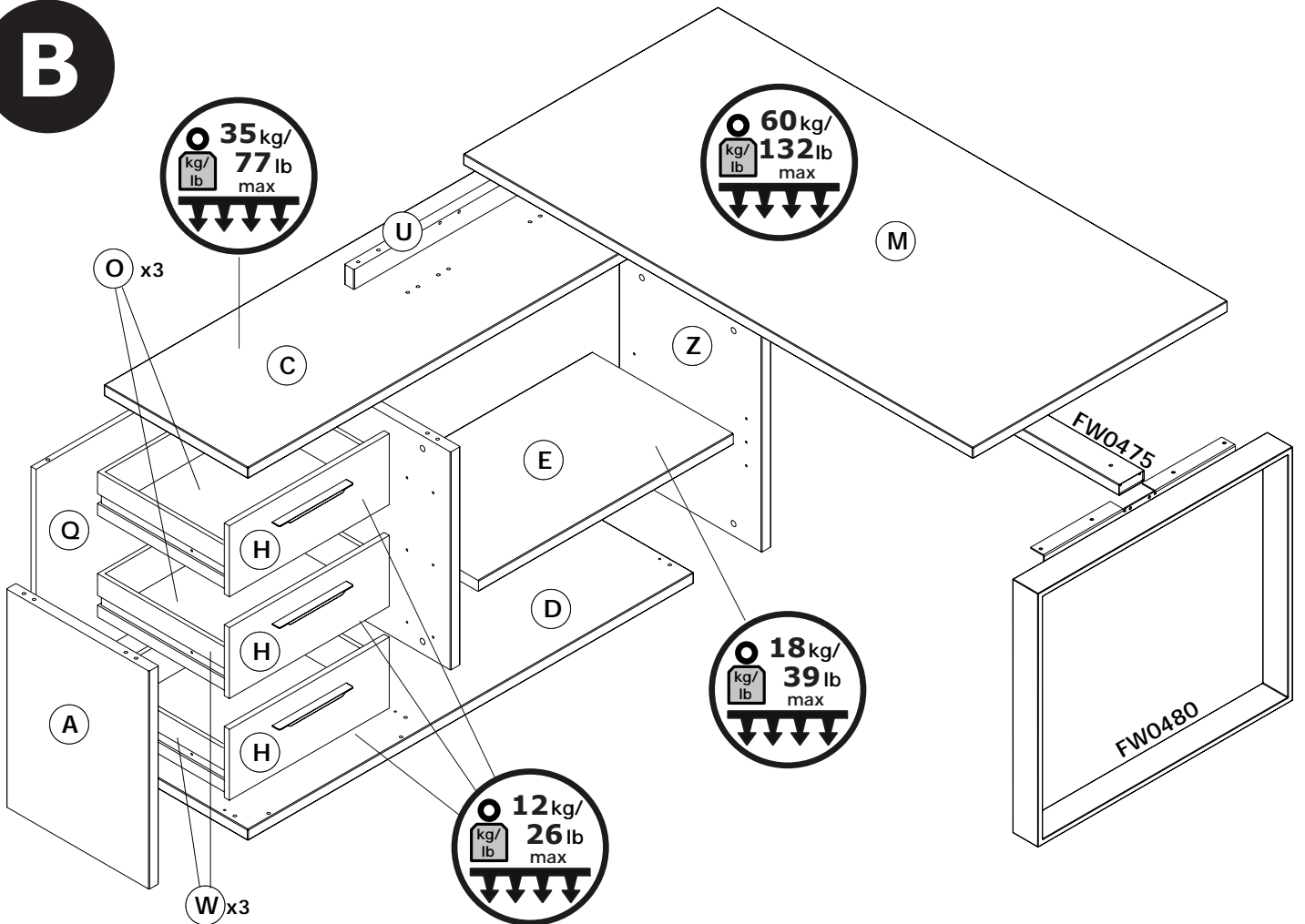


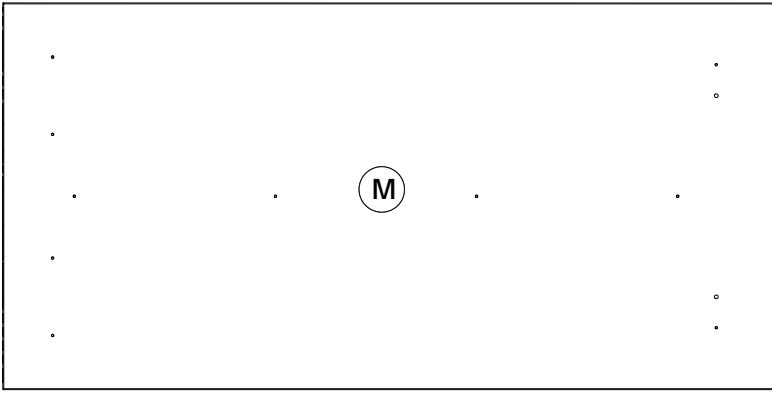
**W475**  
x1

**A**

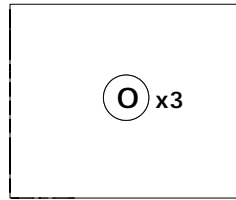


**B**

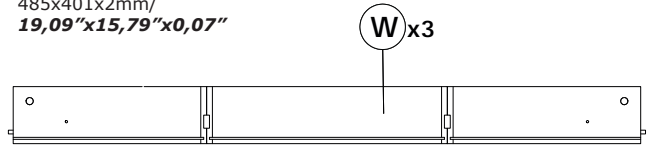




**CA3375**  
1600x800x30mm/  
62,99"x31,50"x1,18"

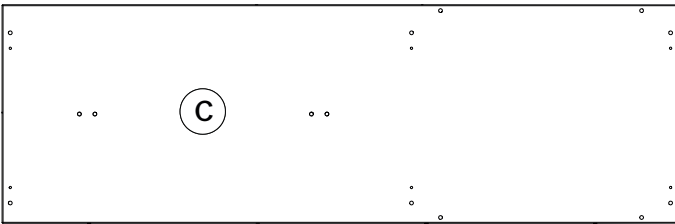


**SH3215**  
485x401x2mm/  
19,09"x15,79"x0,07"

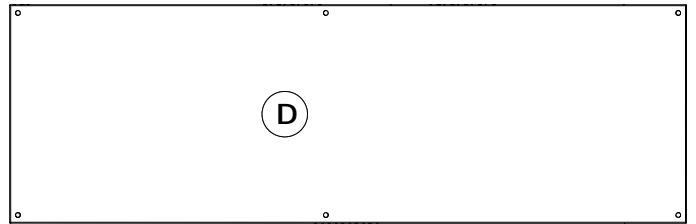


**OF0463**  
400x498x400mm/ H.118mm/  
15,75"x19,60"x15,75" H.4,64"

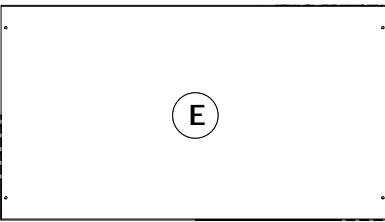
**BOX 1/3**



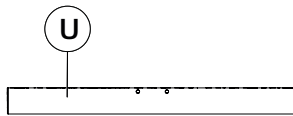
**CA3377**  
1400x452x30mm/  
55,12"x17,79"x1,18"



**BA2069**  
1400x452x30mm/  
55,12"x17,79"x1,18"

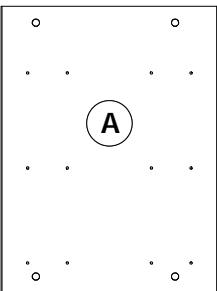


**PI6948**  
800x444x30mm/  
31,49"x17,98"x1,18"

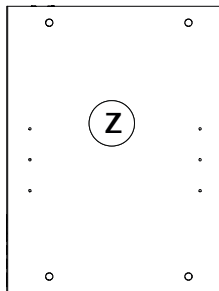


**FS3146**  
54x600x30mm/  
2,12"x23,62"x1,18"

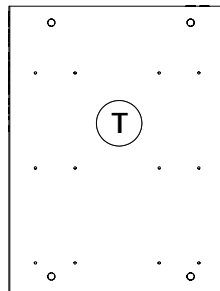
**BOX 2/3**



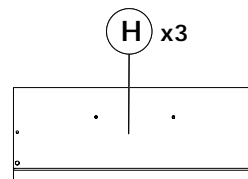
**FI8216**  
593x448x30mm/  
23,35"x17,64"x1,18"



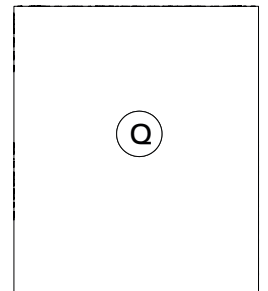
**FI8218**  
593x448x30mm/  
23,35"x17,64"x1,18"



**TR2091**  
593x448x30mm/  
23,34"x17,64"x1,18"



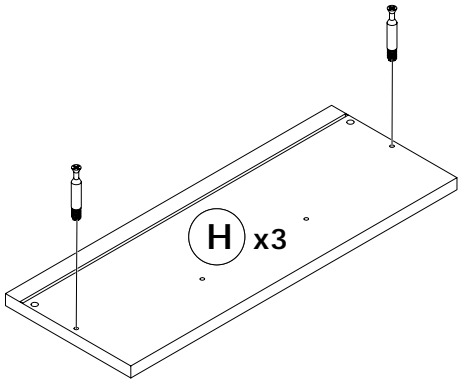
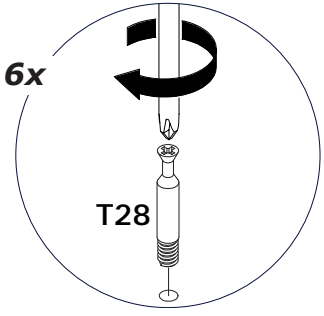
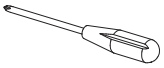
**CS3020**  
502x193x16mm/  
19,76"x7,60"x0,63"



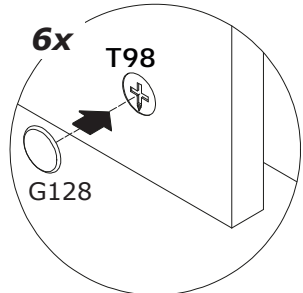
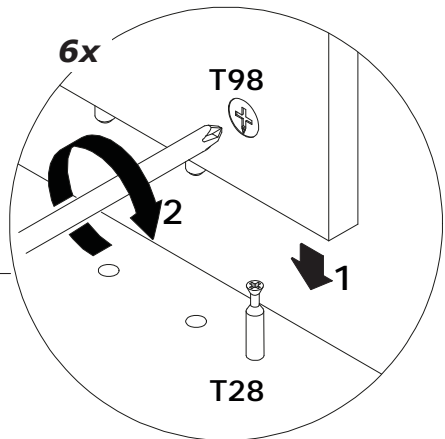
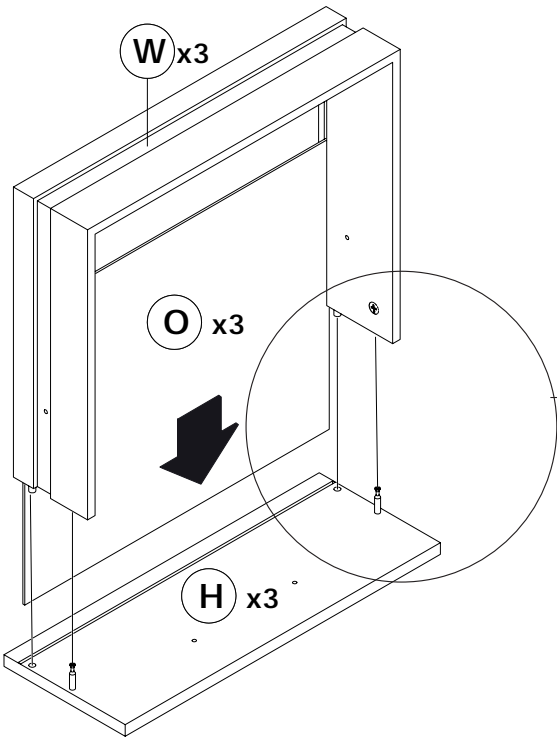
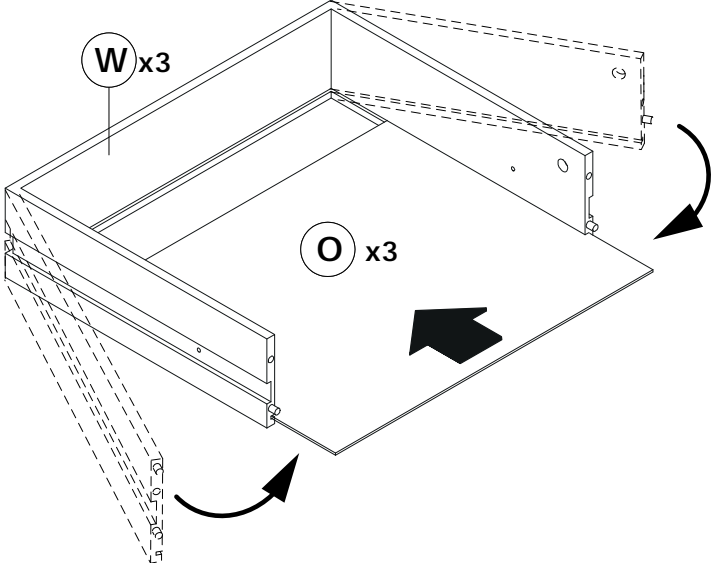
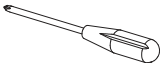
**SH3150**  
593x506x16mm/  
23,34"x19,92"x0,63"

**BOX 3/3**

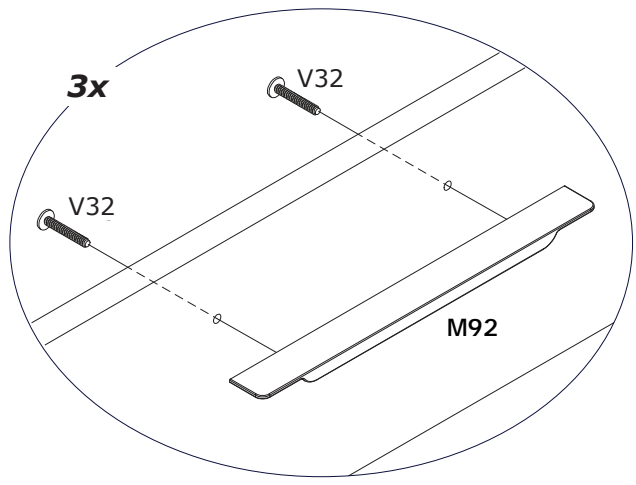
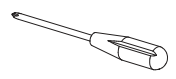
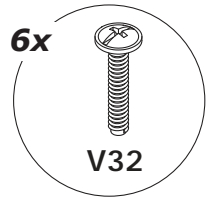
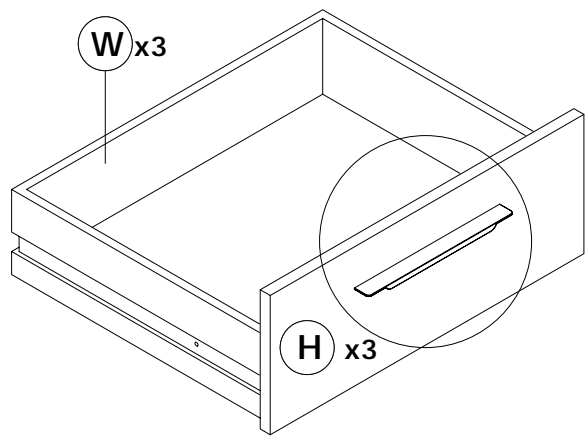
1



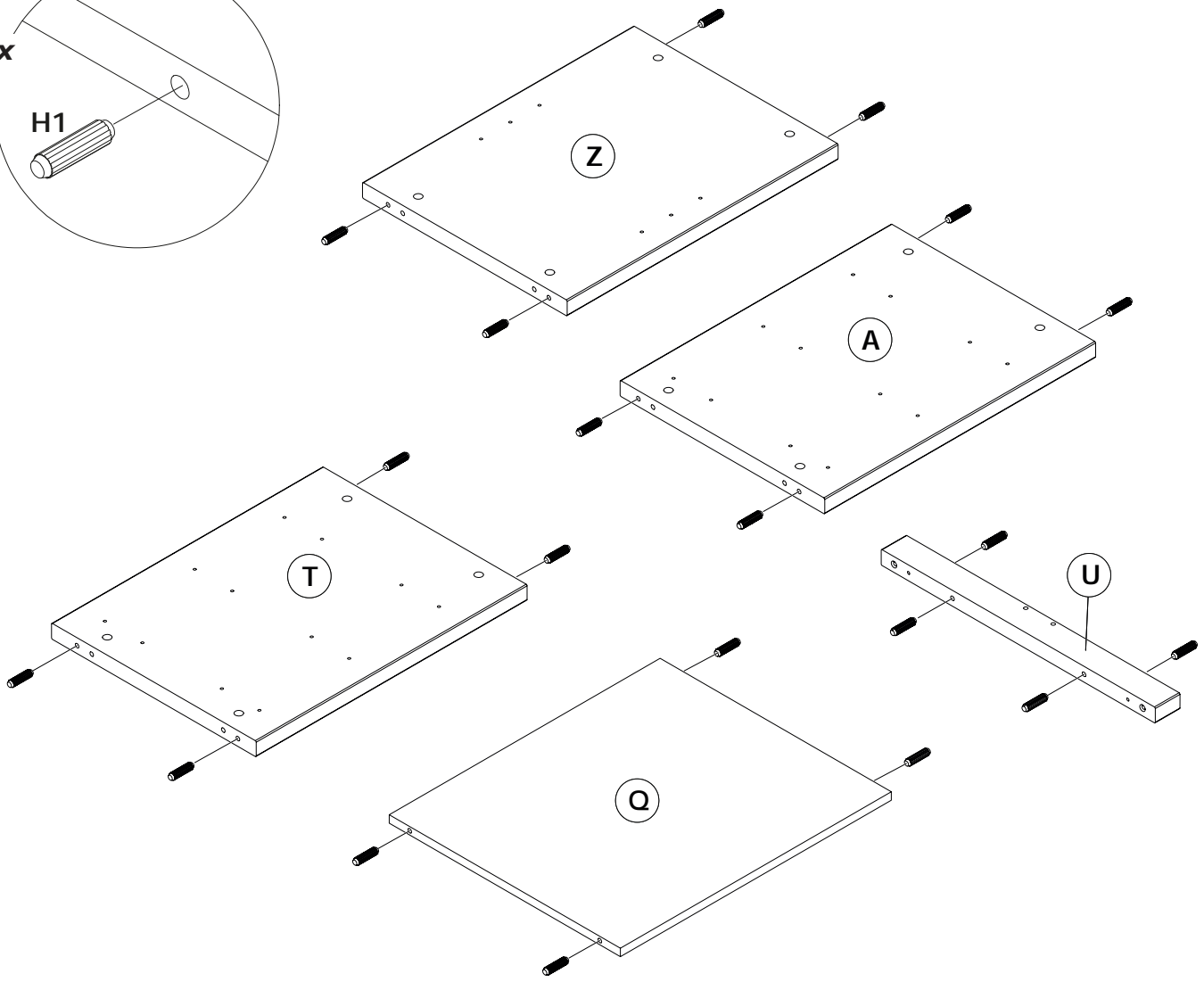
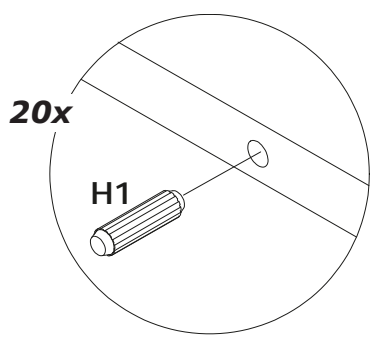
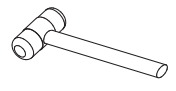
2



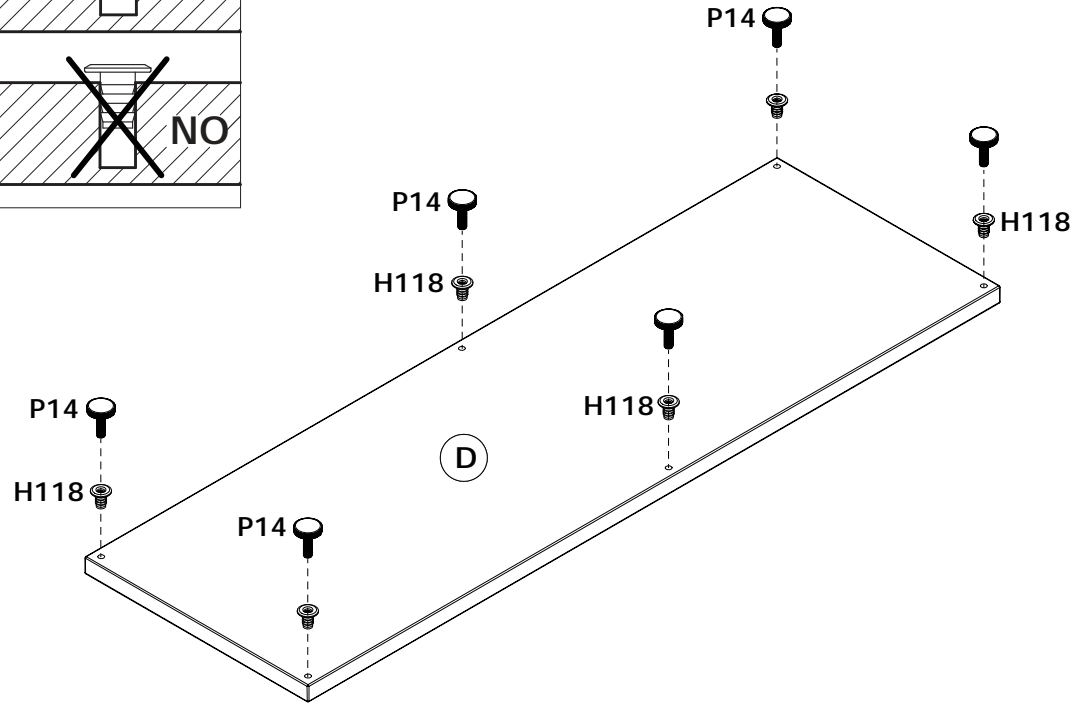
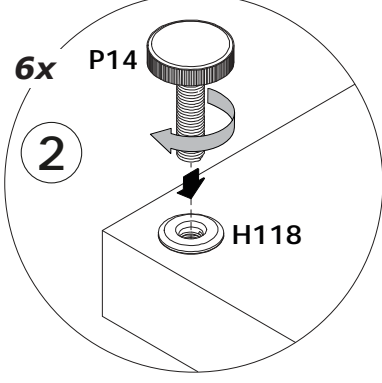
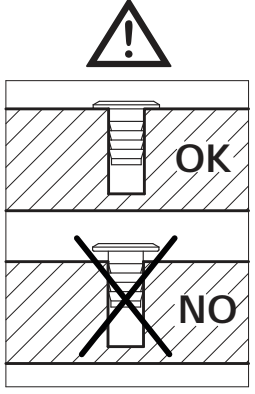
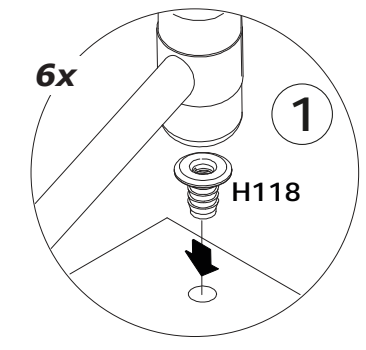
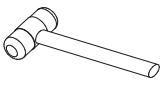
3



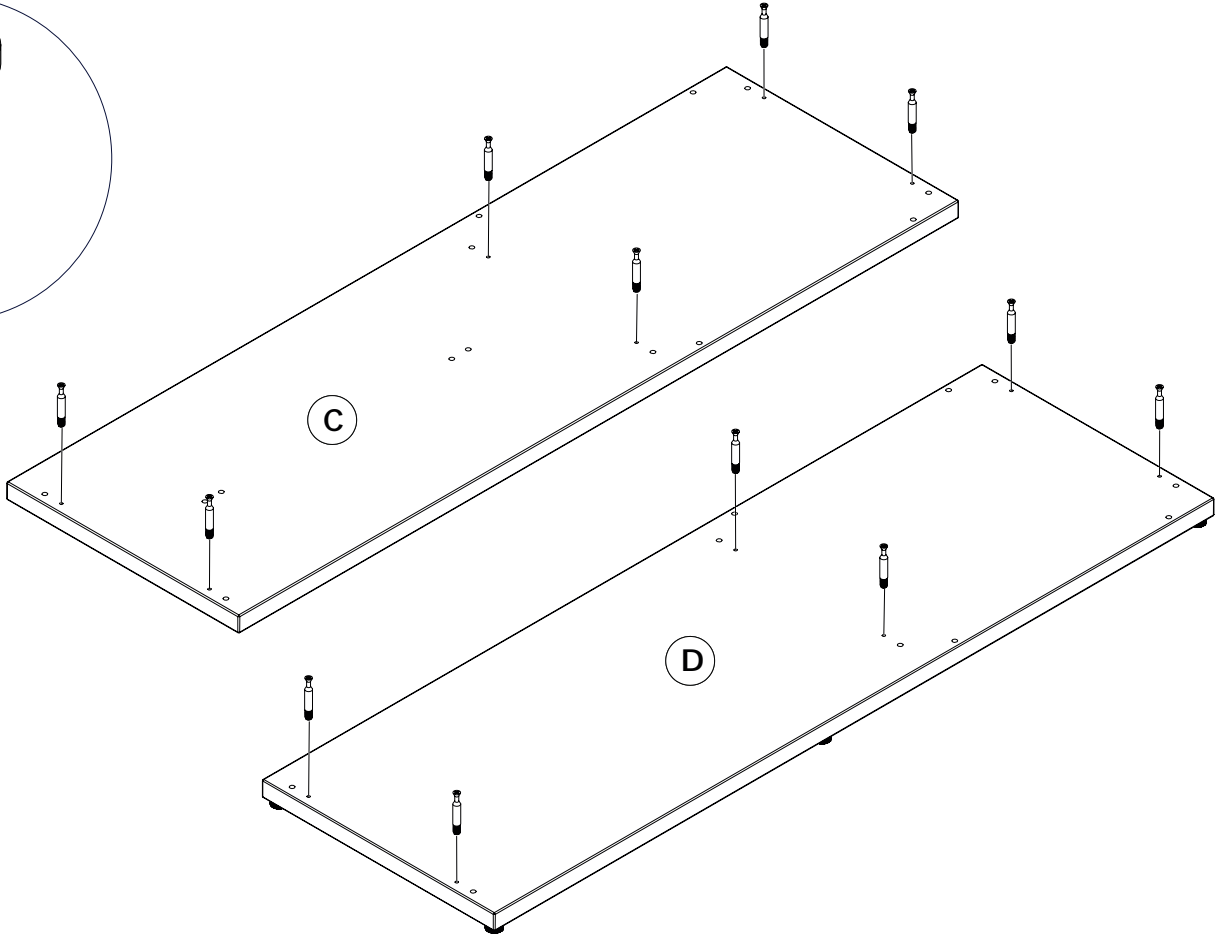
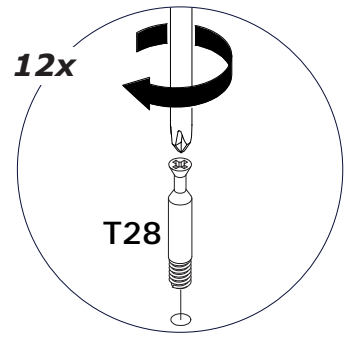
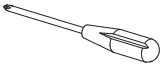
4



5

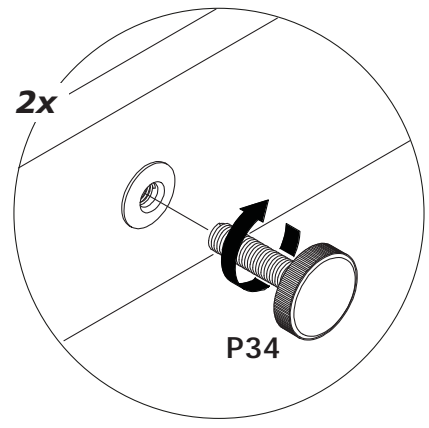
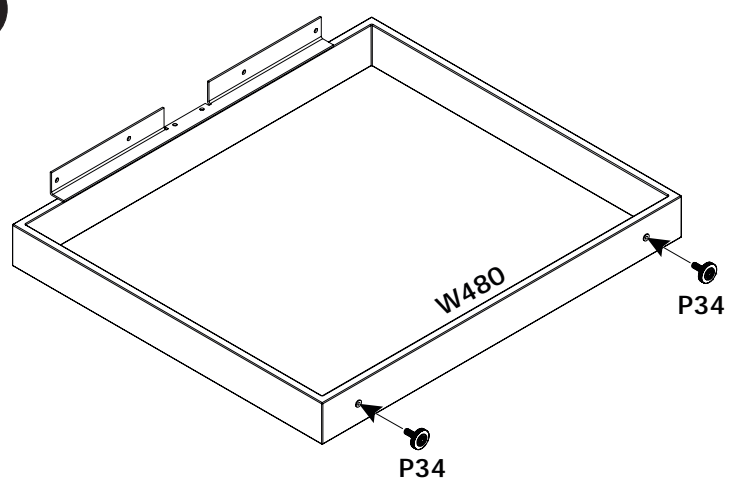


6

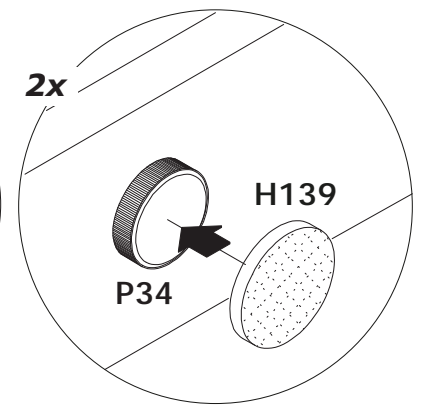
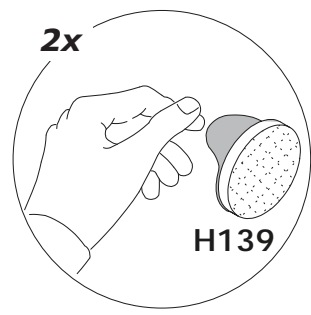
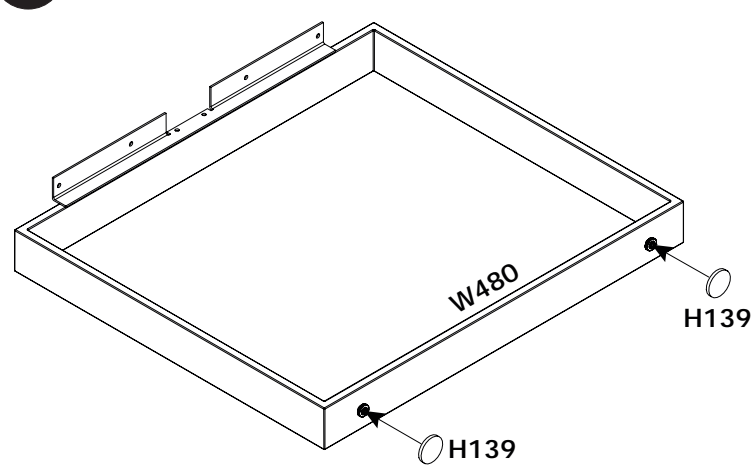




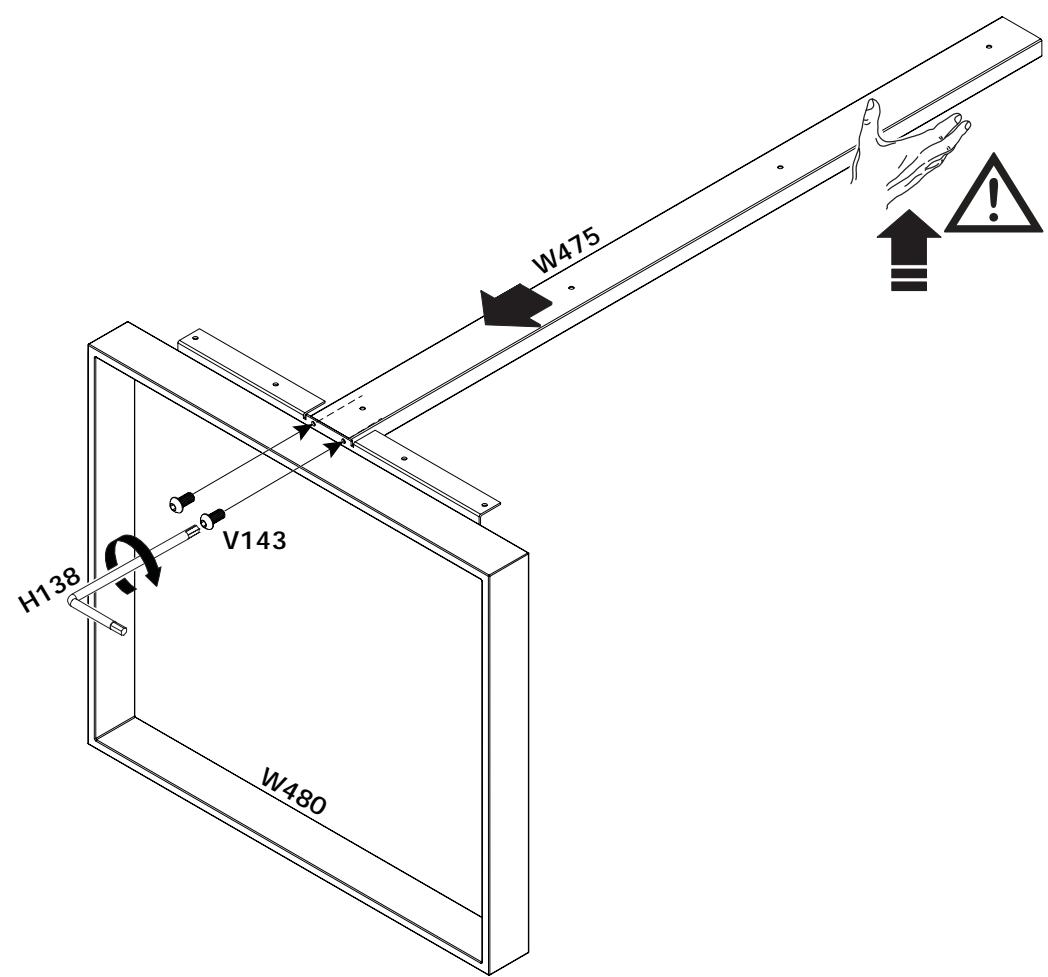
7



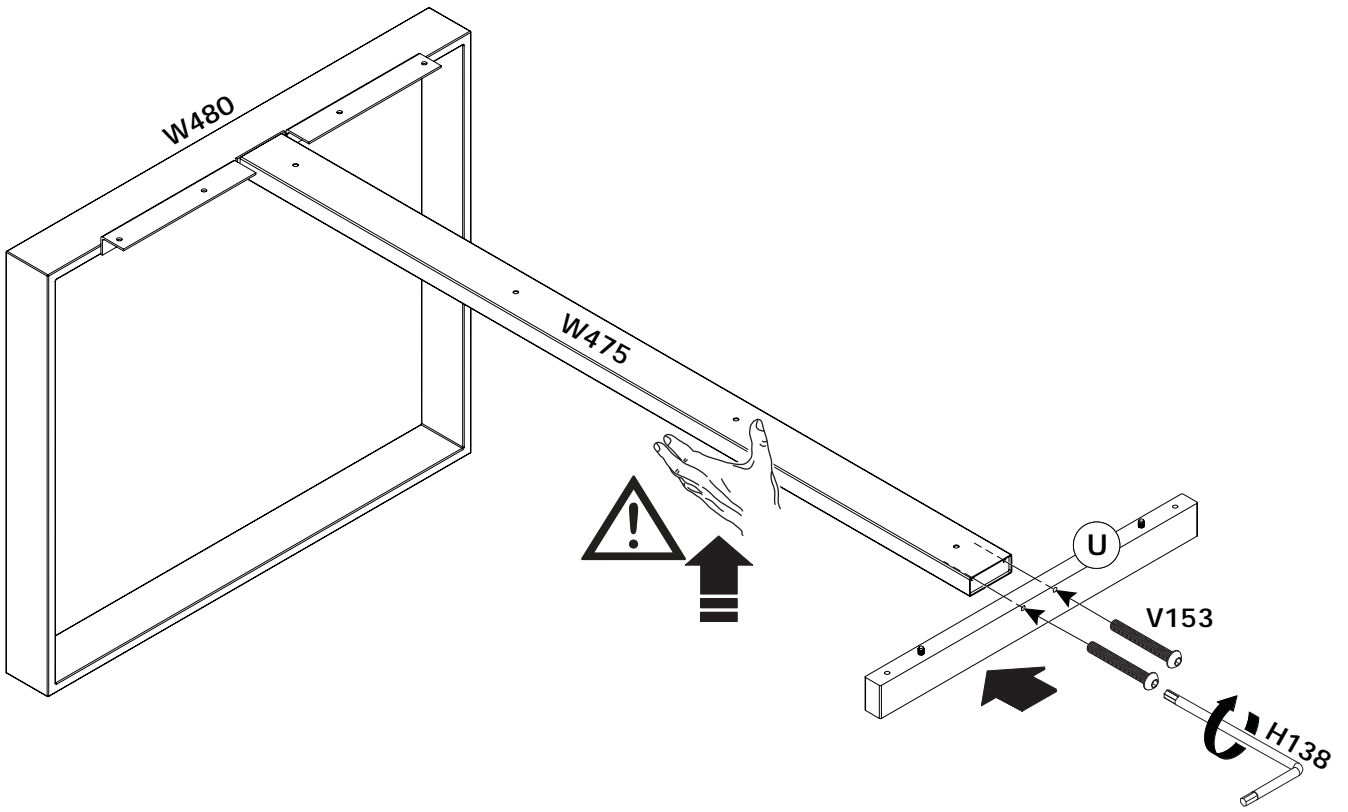
8



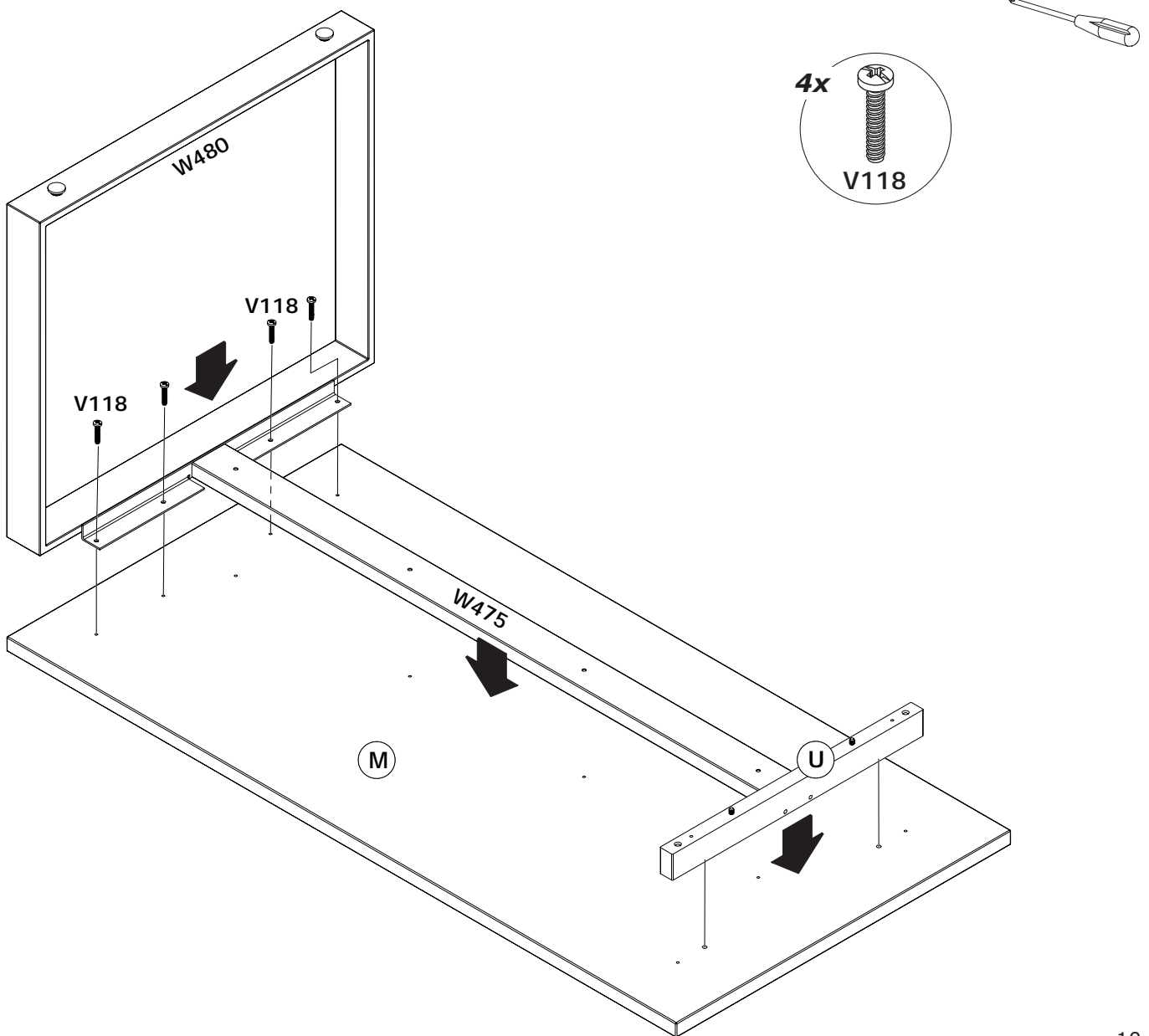
9

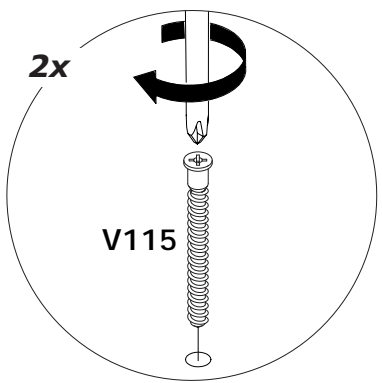
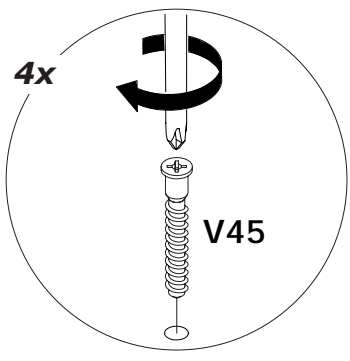
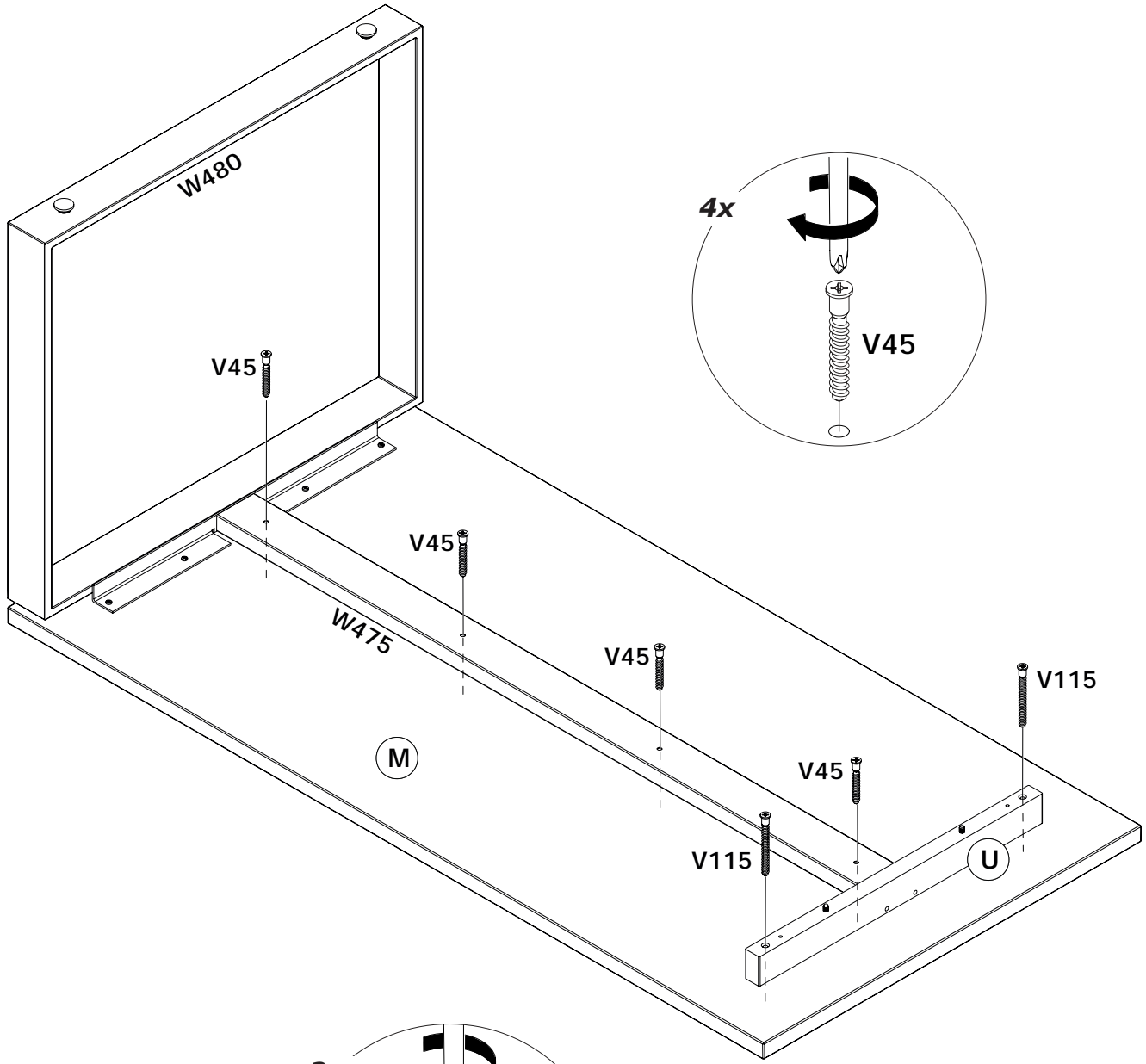
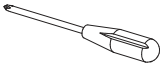


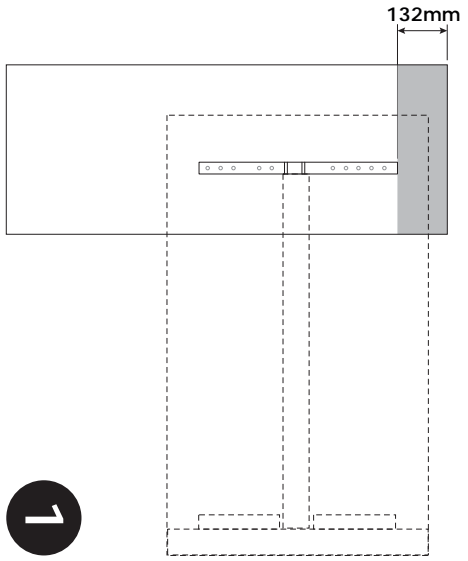
10



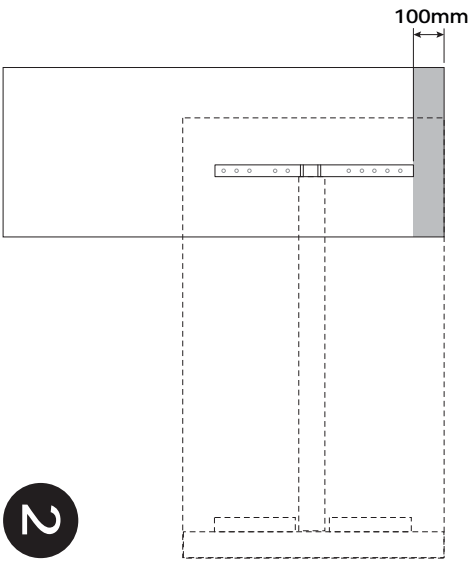
11



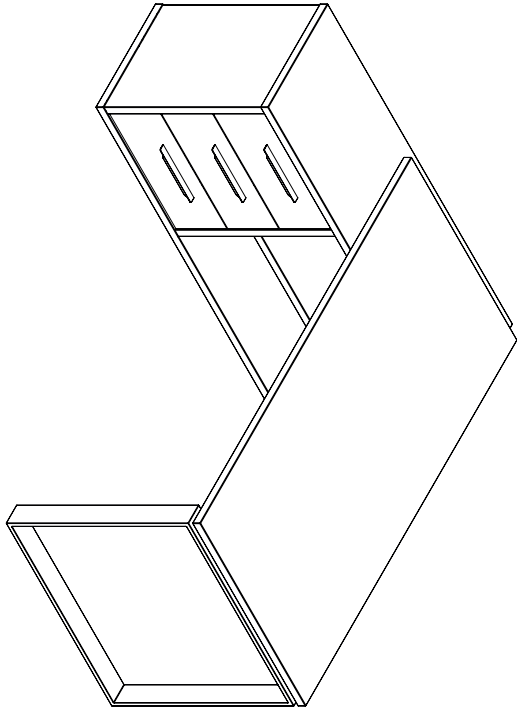




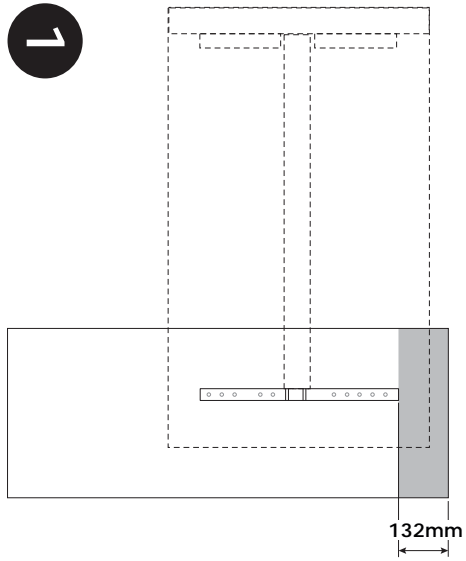
1



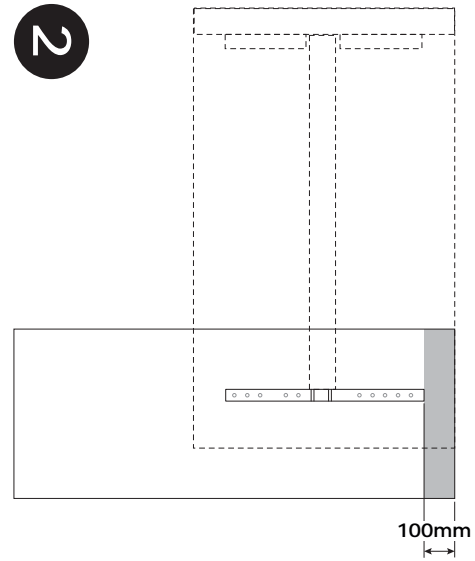
2



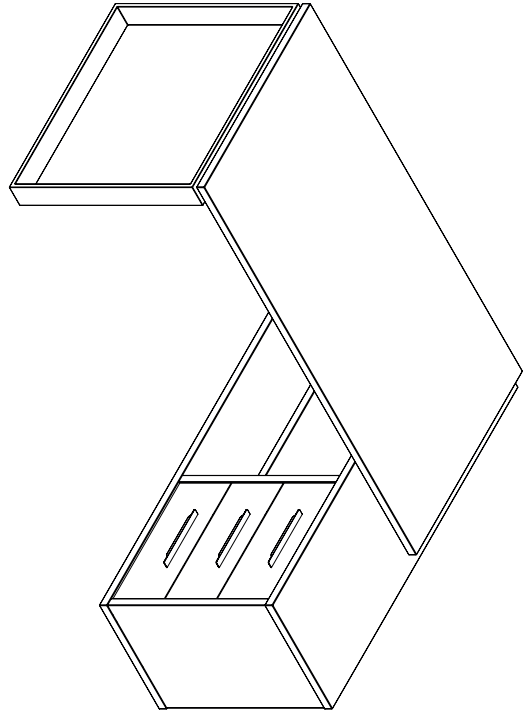
B



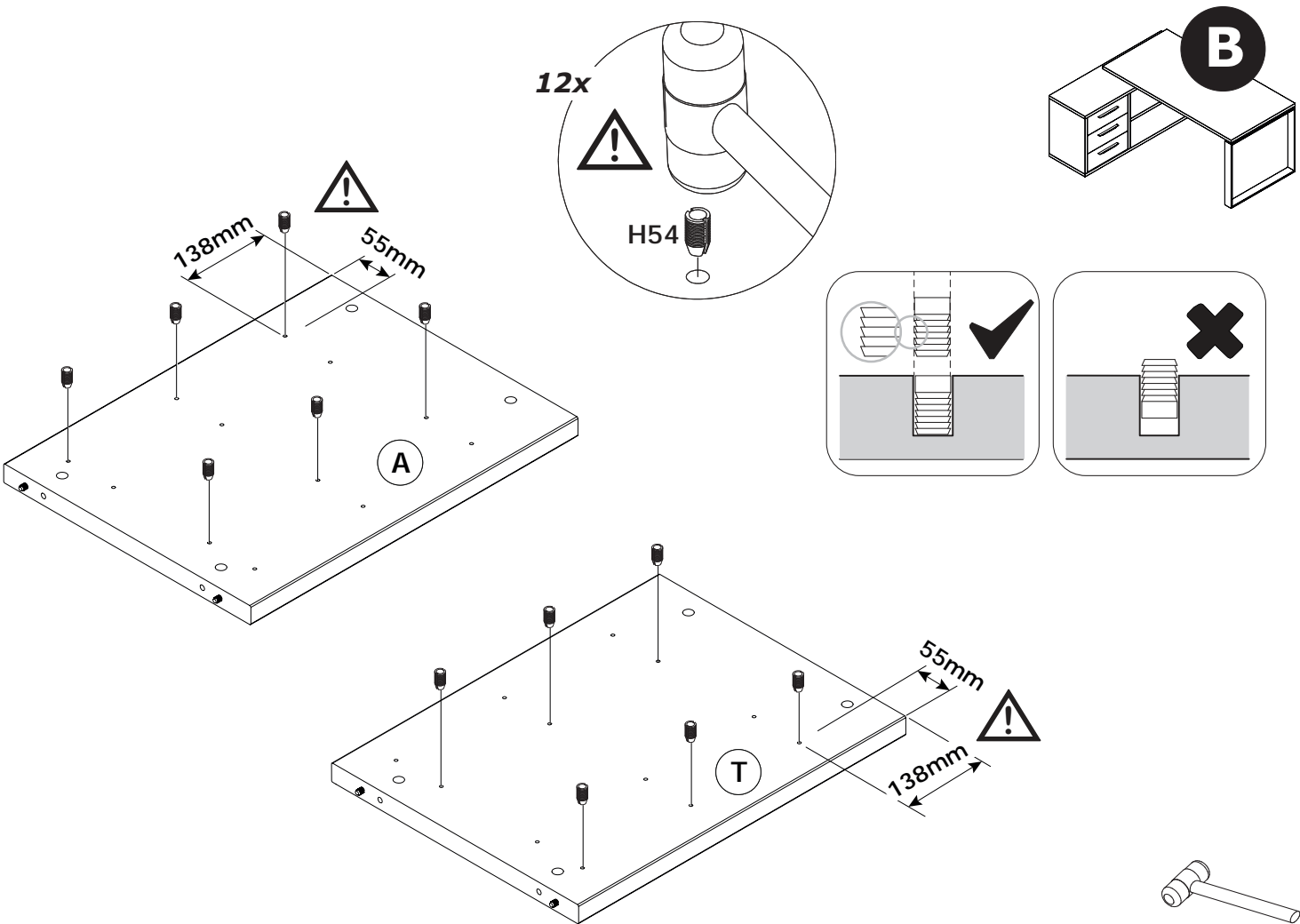
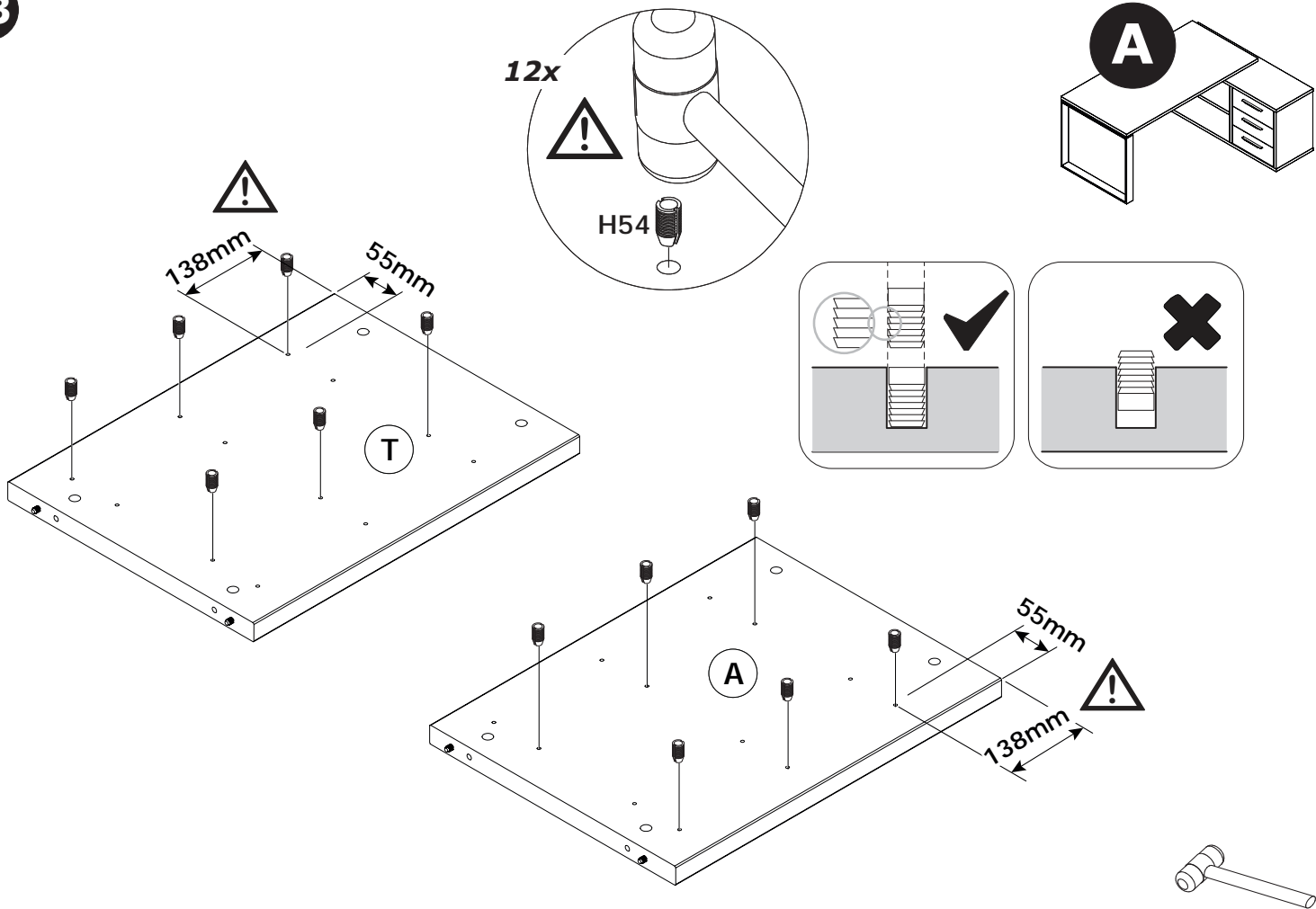
1

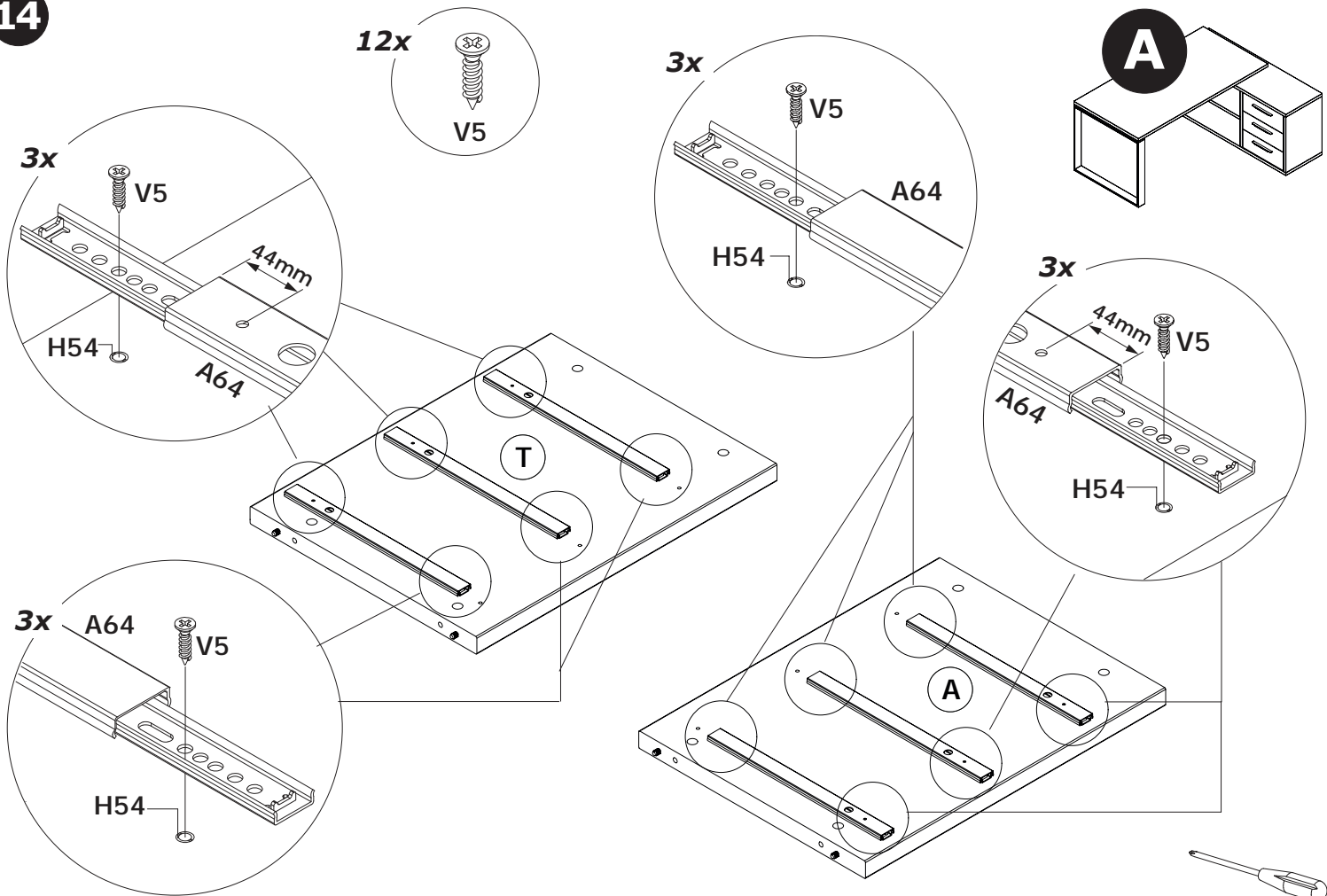


2



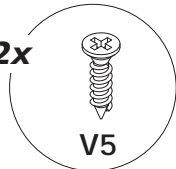
A



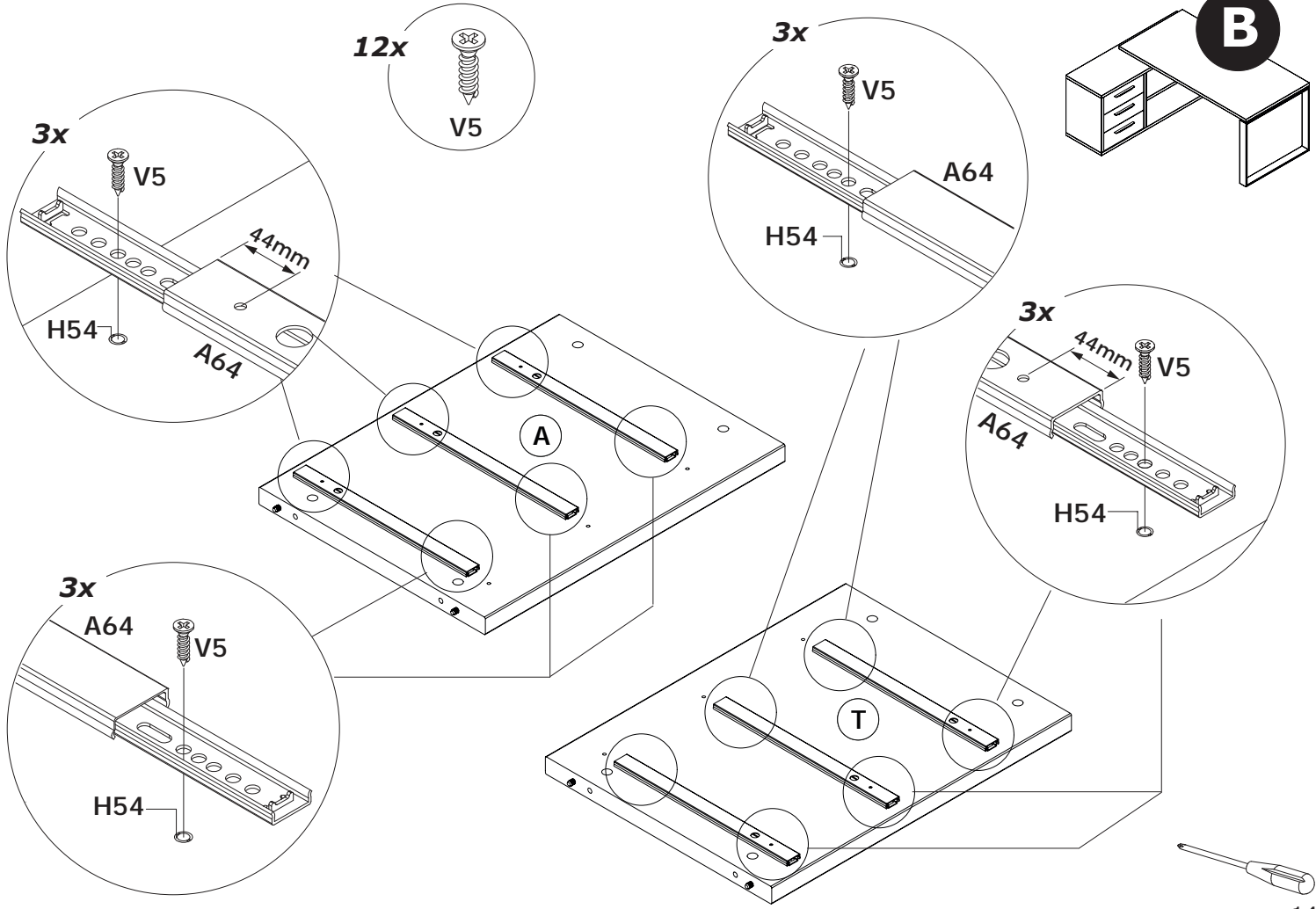


**A**

12x

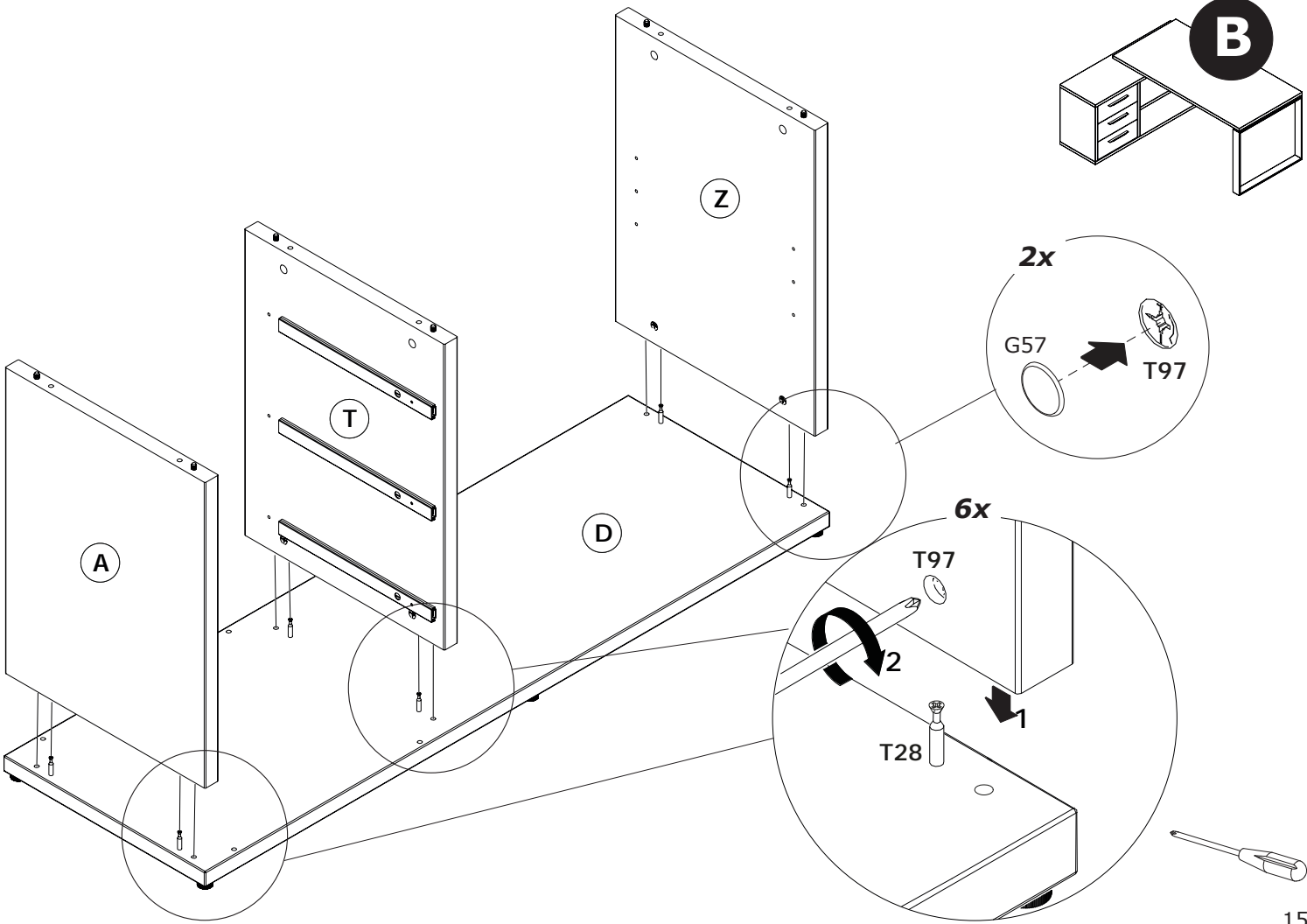
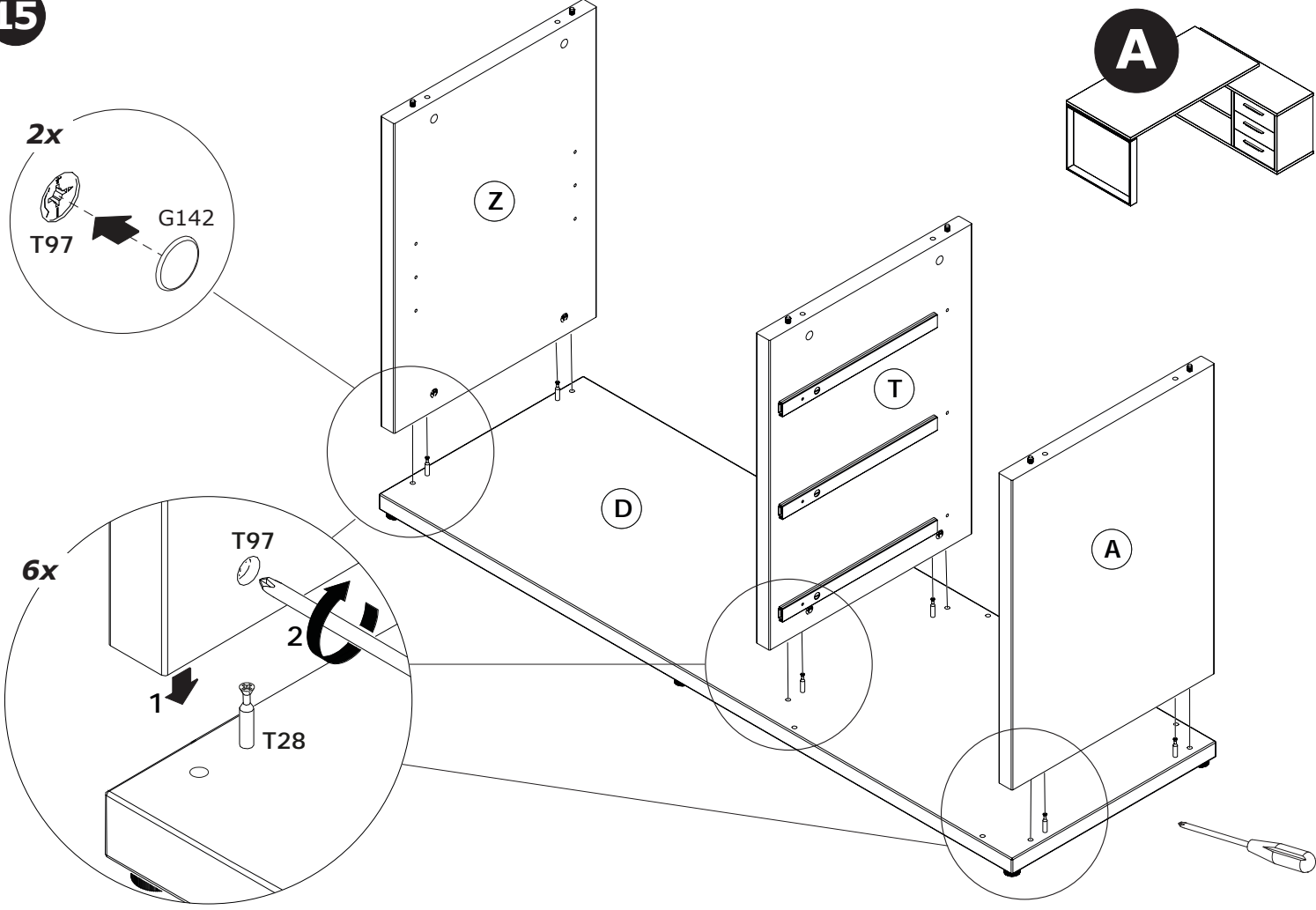


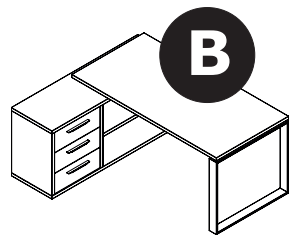
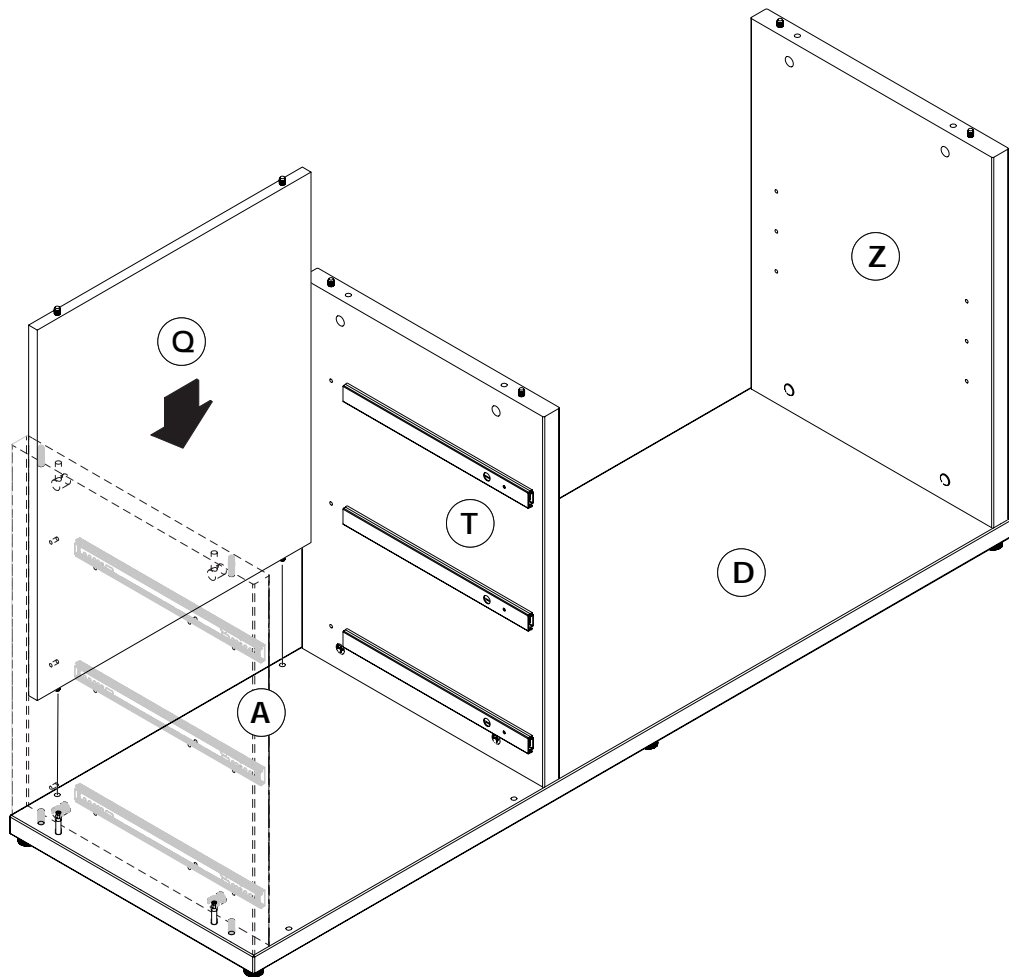
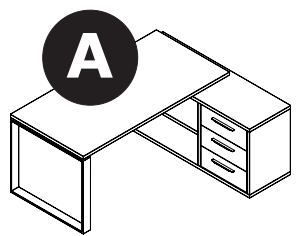
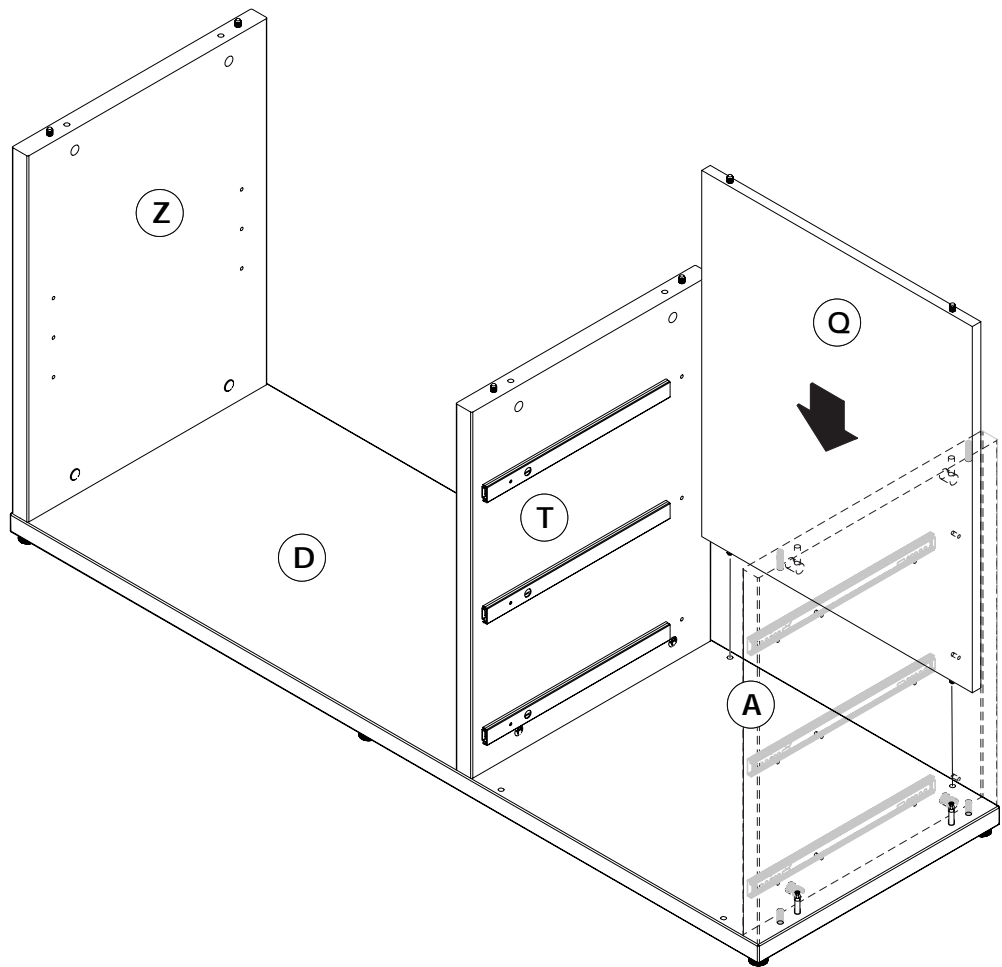
V5



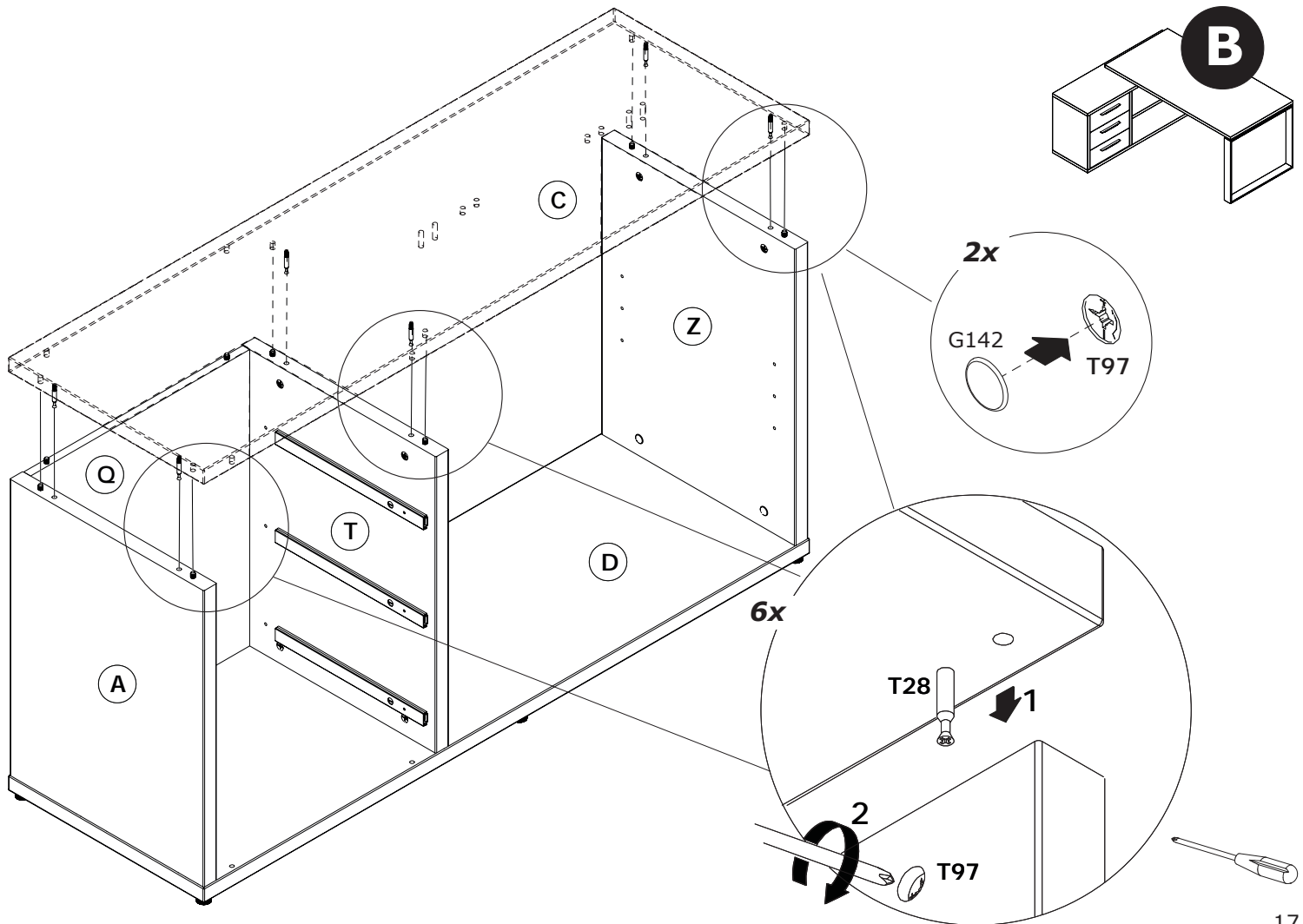
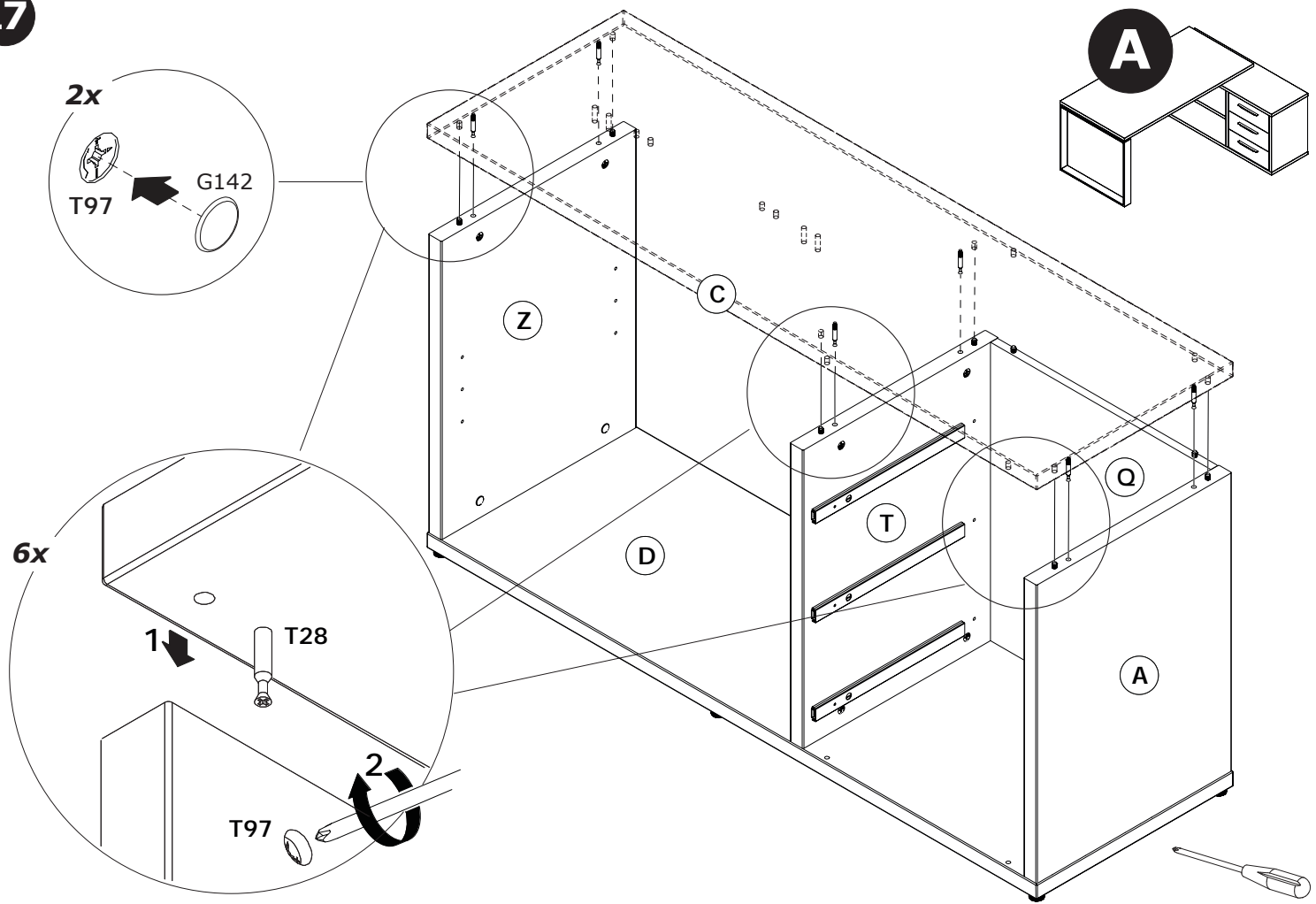
**B**

15

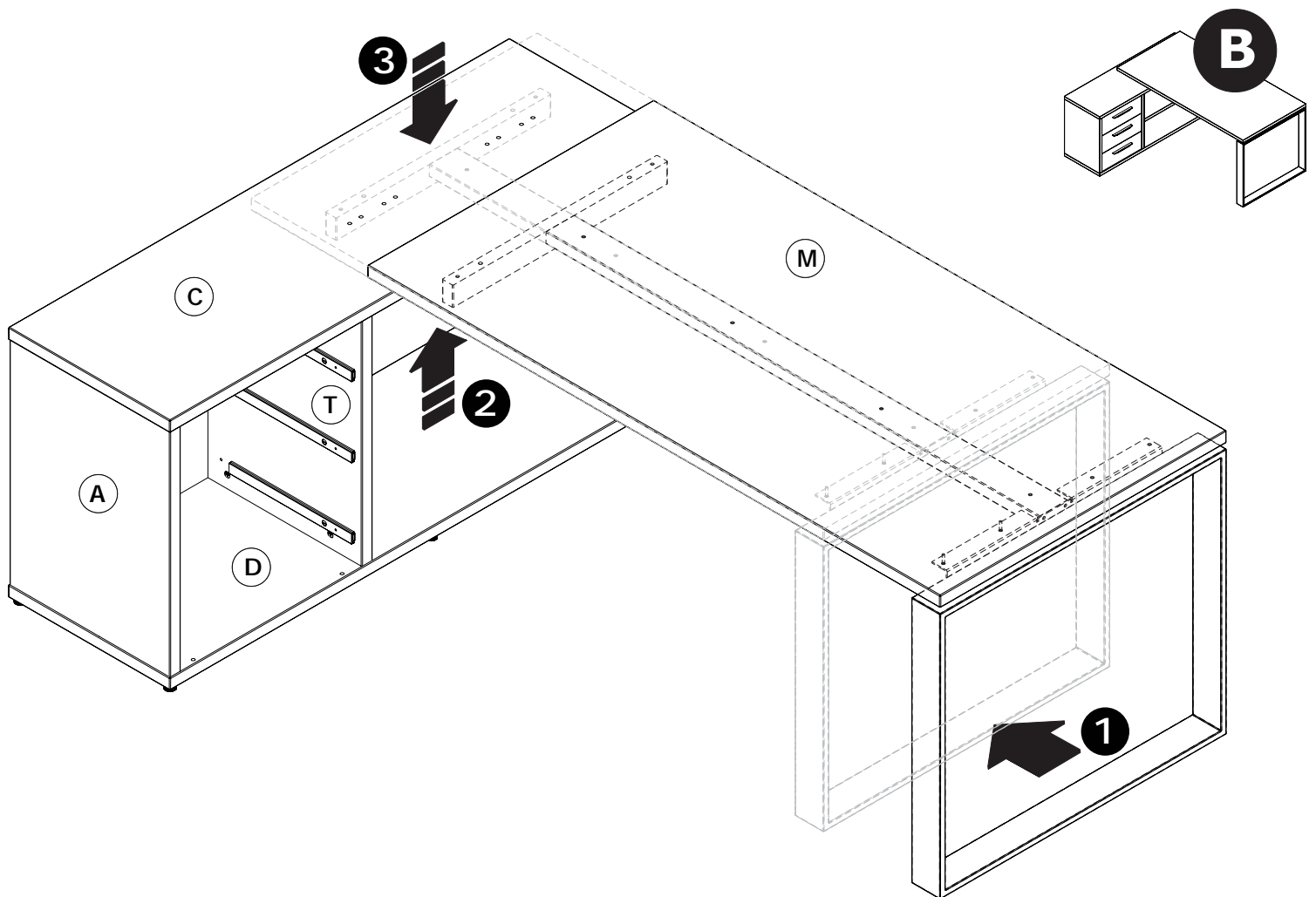
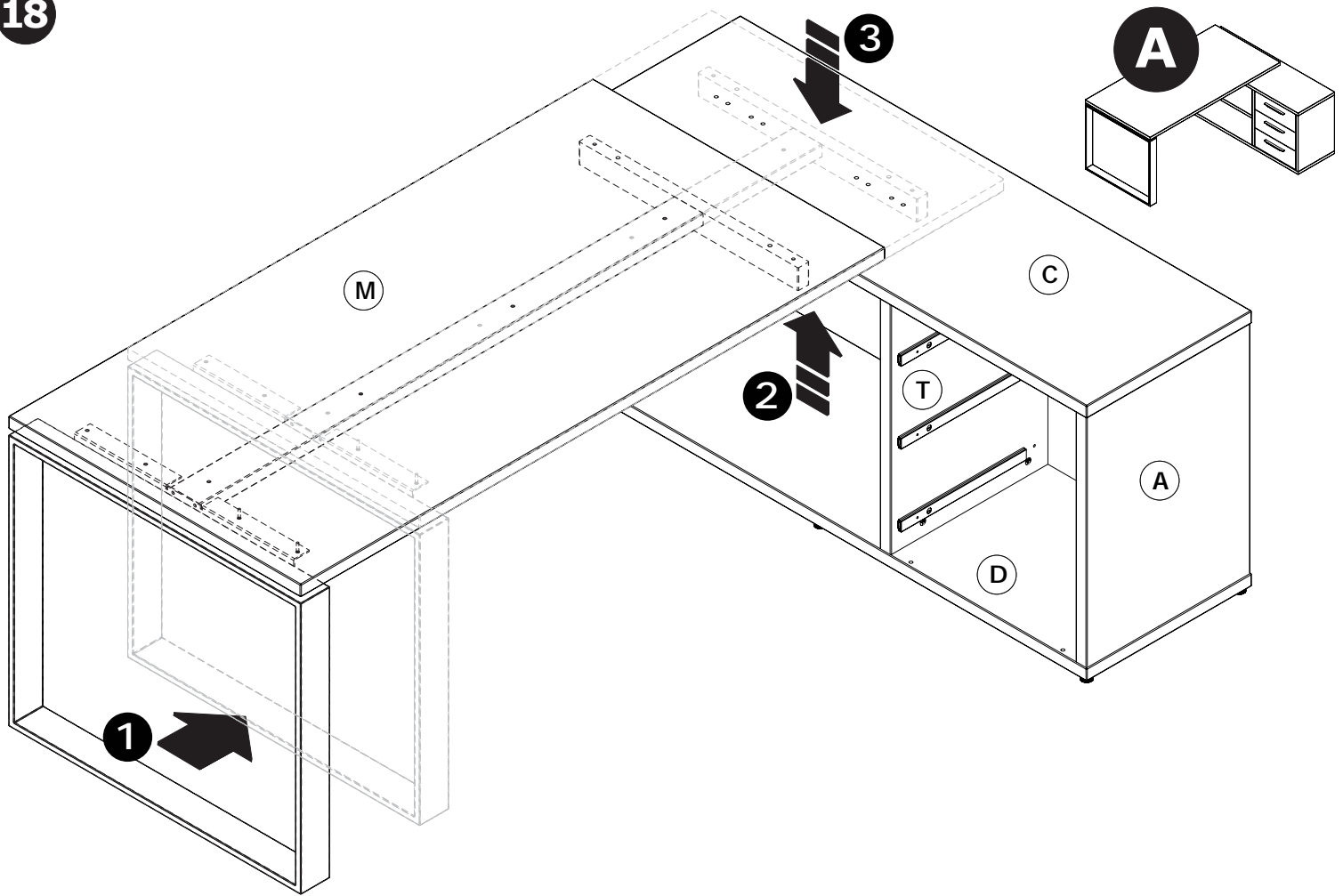


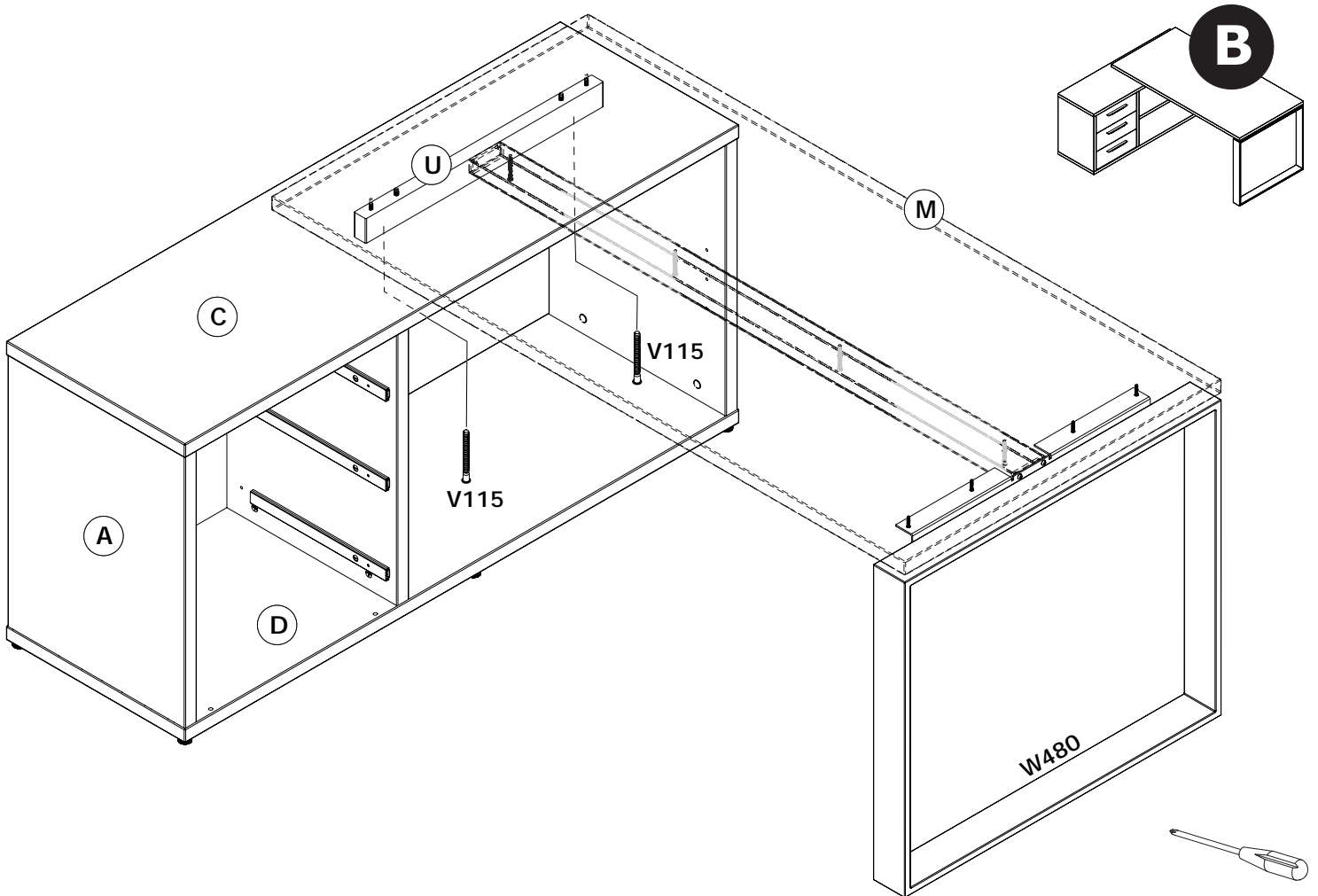
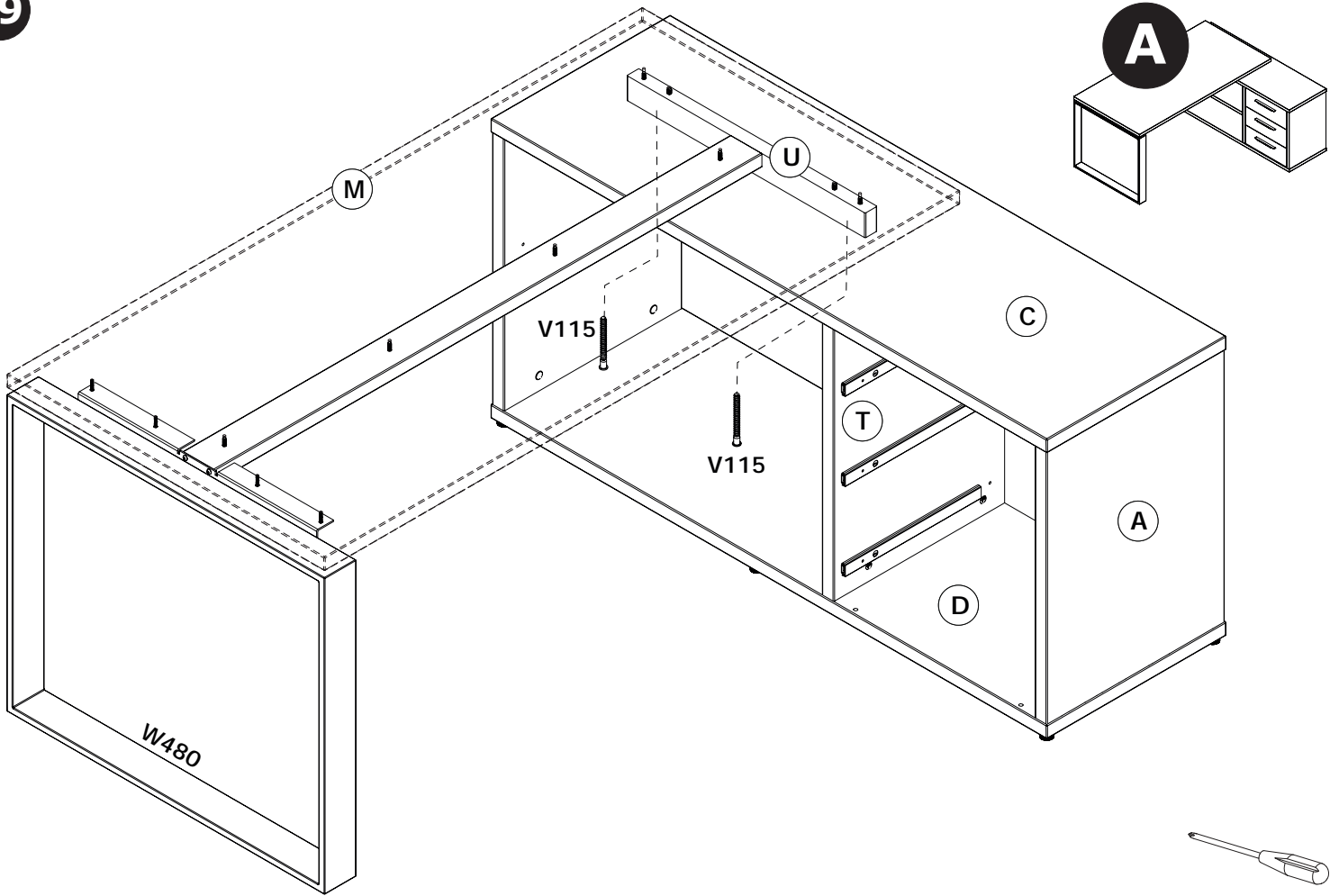


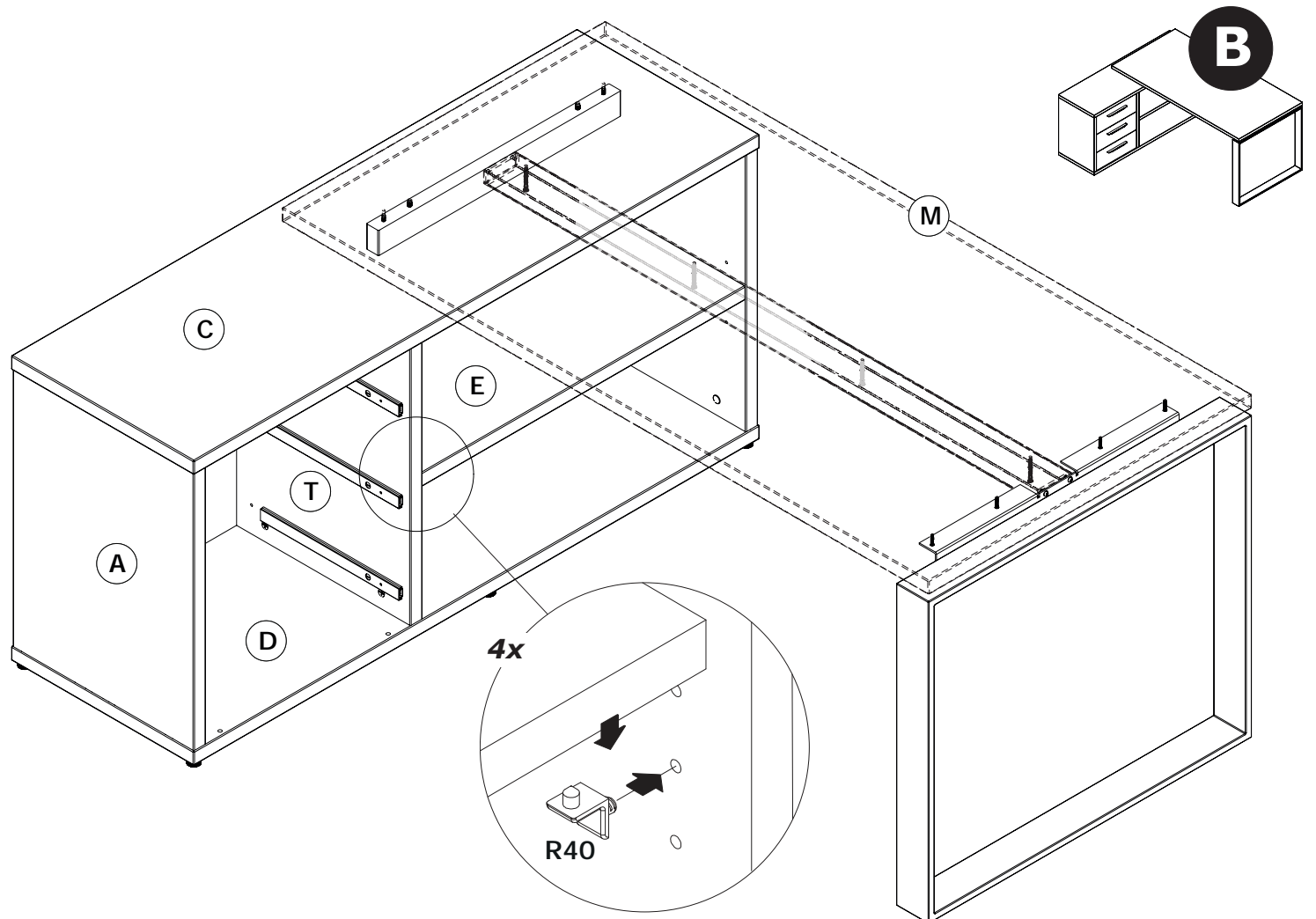
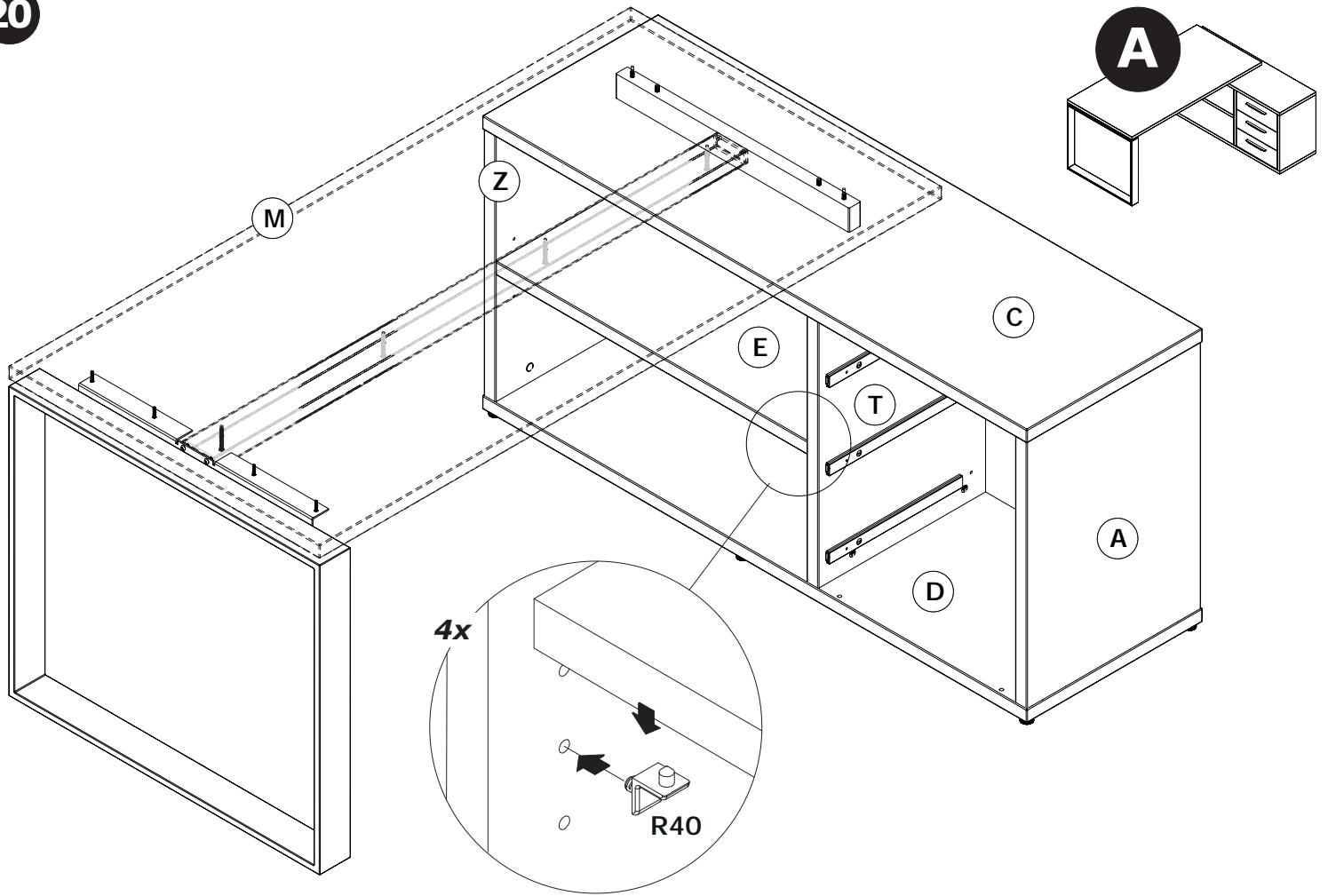




18







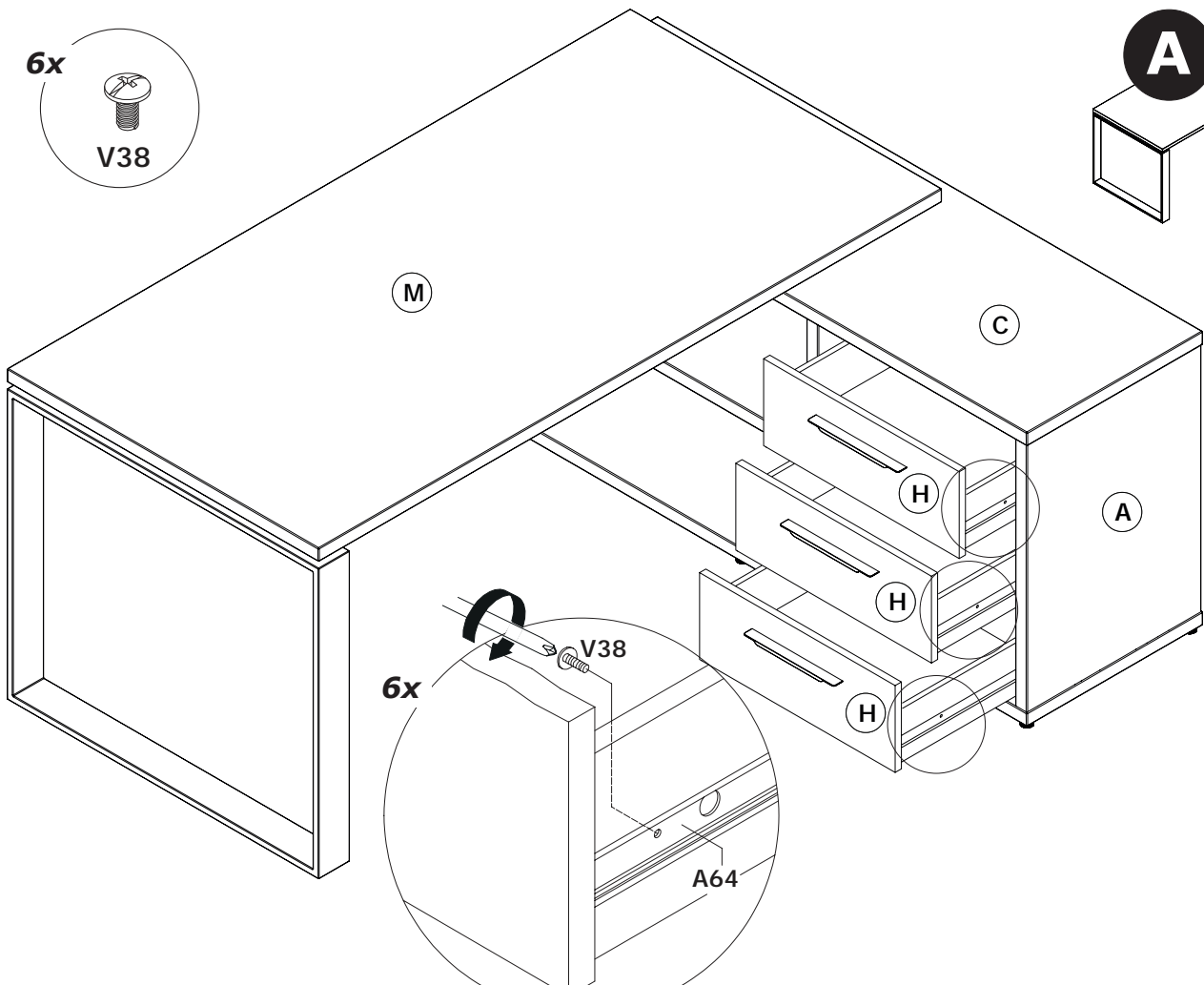
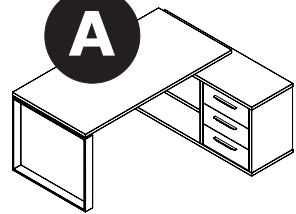
21

6x



V38

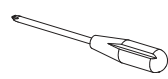
A



6x

V38

A64

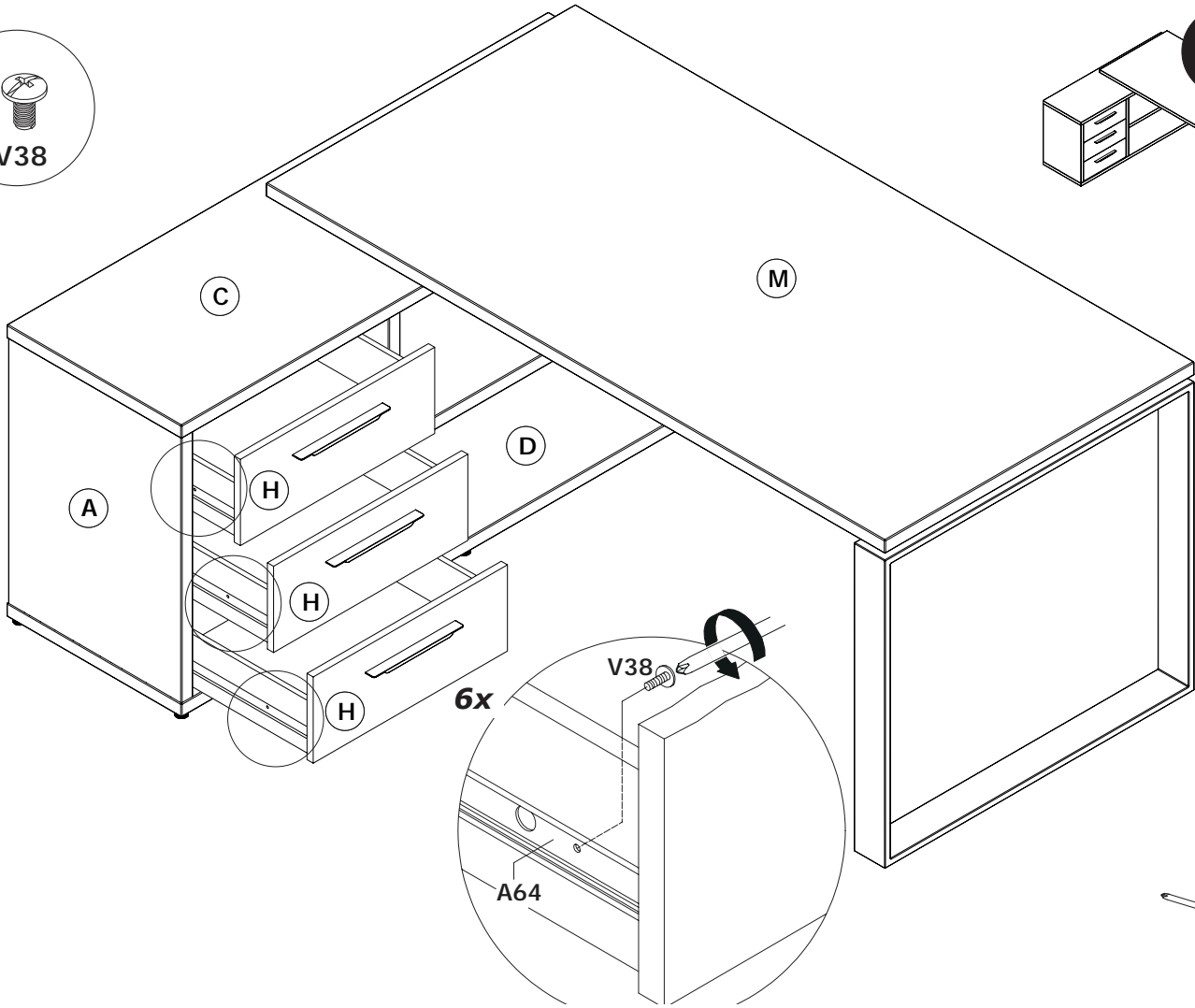
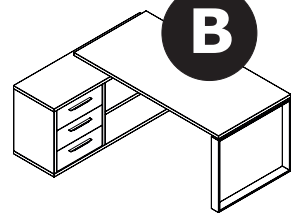


6x



V38

B



6x

V38

A64

