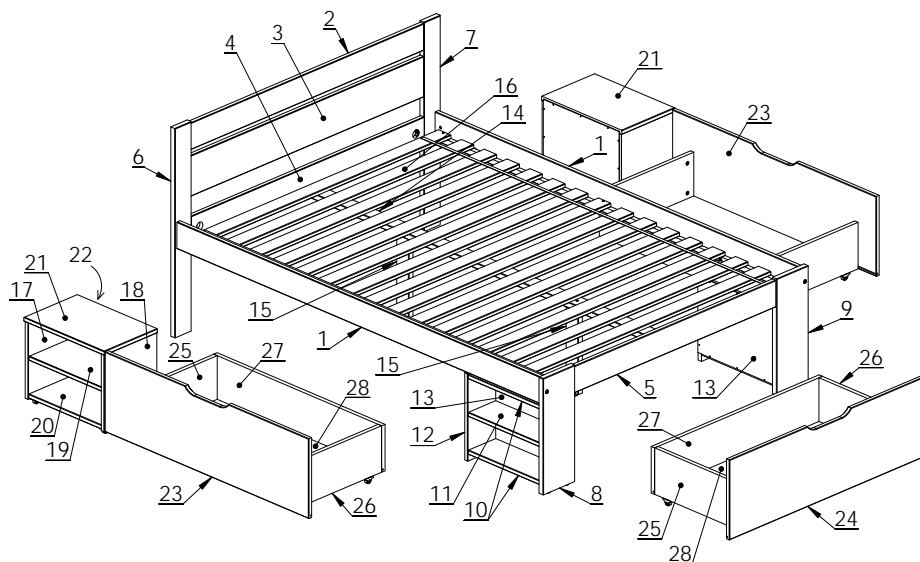
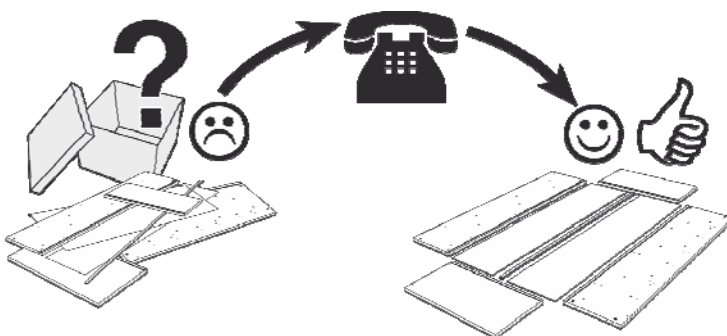
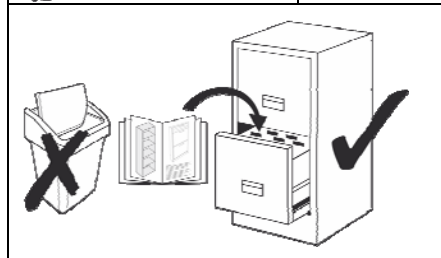


Service • Assistenza • Dienstverlening • Serwis Servis • Szerviz • Сервисная служба

Name • Nom • Nome • Naam
Nazwa • Jméno • Názov • Név
Denumire • Ísim • Название

Nr. • No. • N° • Номер • Č. • Sz

Typ • Type • Тип • Típus • Tipo
Тип



A		8x40	x16
B		10x40	x30
C		7x60	x9
D		D35	x6
E		7x34	x17
F		15x12	x17
G		M6x60	x4
H		M6x10x13	x4
J		3,5x16	x2
K		4x20	x2
L		3,5x40	x6

M		28x17x15	x2
N		D12x18	x2
P		1,2x20	x18
Q		D25x4	x6
R		D35x9	x2
S		D8x20x10	x2
T		D8xD28x20	x2
U		D4x13	x1
Y		D15x18	x4
V		4mm	x1

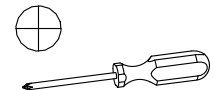
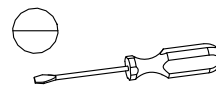
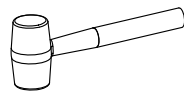
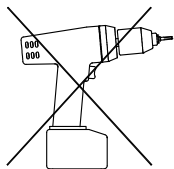
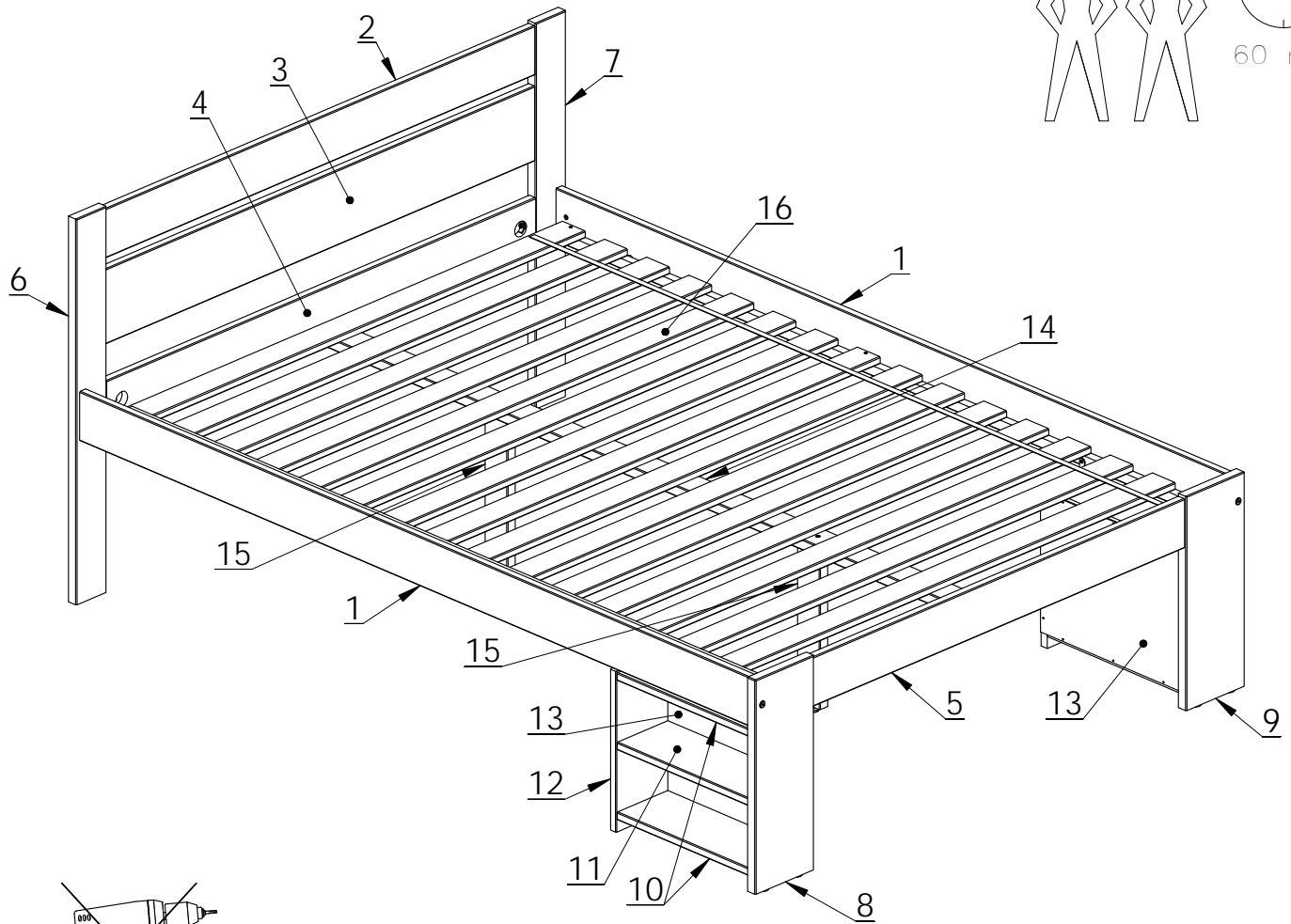
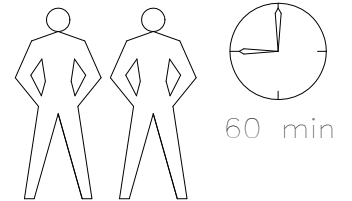
A		8x40	x16
E		7x34	x8
F		15x12	x8
X		D26	x8

J		3,5x16	x16
P		1,2x20	x24
Y		D5x16	x8
Z			x1

A		8x40	x12
E		7x34	x12
F		15x12	x12
X		D26	x12

J		3,5x16	x24
L		3,5x40	x12
M		28x17x15	x4
K		4x20	x4

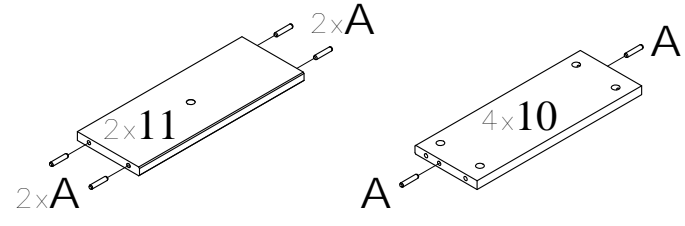
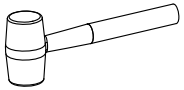
0
10
20
30
40
50
60
70
80
90
100
110
120
130
140
150
160
170
180
190
200



A		8x40	x16
B		10x40	x30
C		7x60	x9
D		D35	x6
E		7x34	x17
F		15x12	x17
G		M6x60	x4
H		M6x10x13	x4
J		3,5x16	x2
K		4x20	x2
L		3,5x40	x6

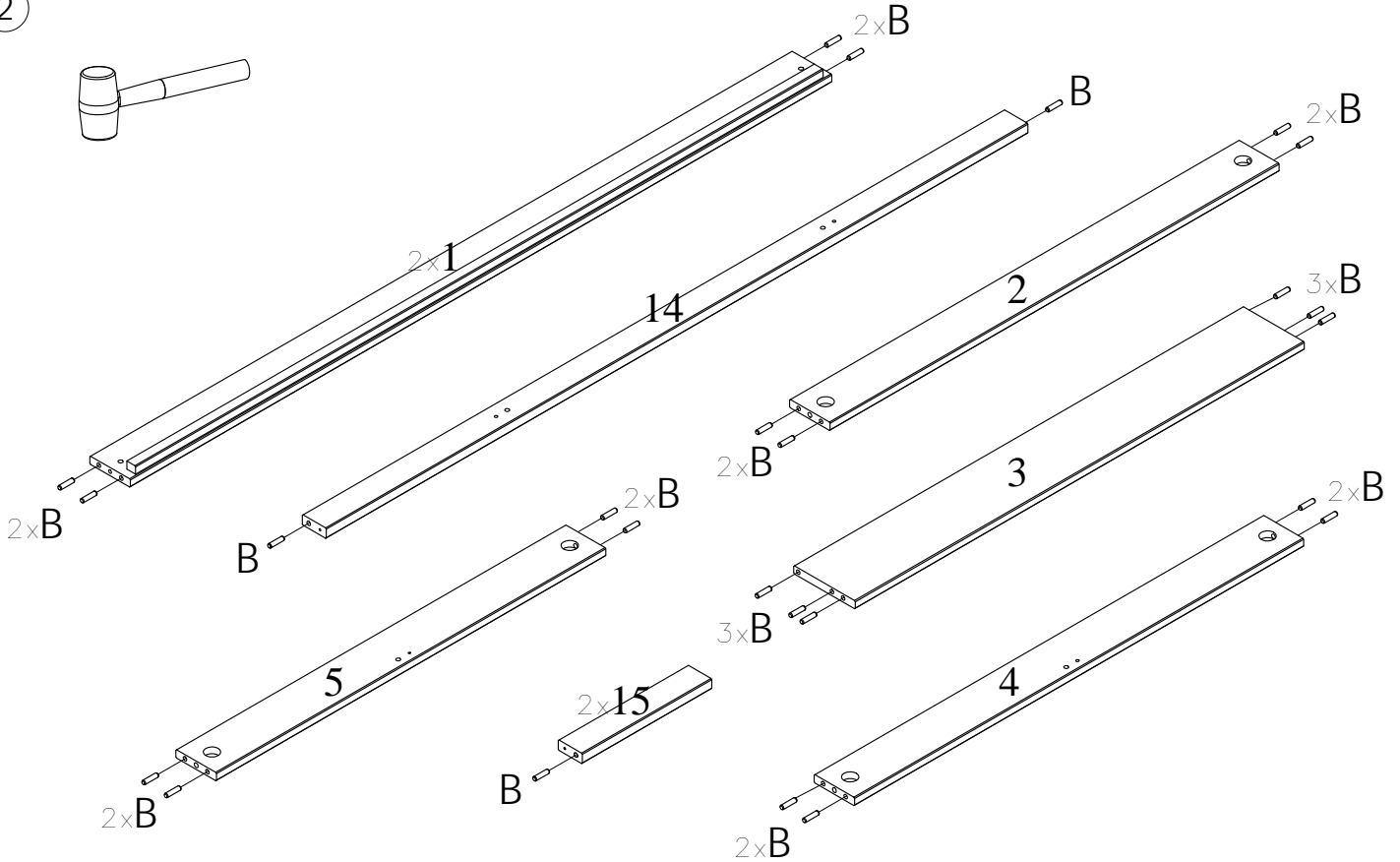
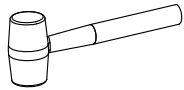
M		28x17x15	x2
N		D12x18	x2
P		1,2x20	x25
Q		D25x4	x6
R		D35x9	x2
S		M8x20x10	x2
T		M8xD28x20	x2
U		D4x13	x1
Y		D15x18	x4
V		4mm	x1

①



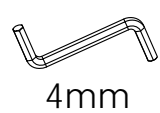
A		8x40	x16
---	--	------	-----

②

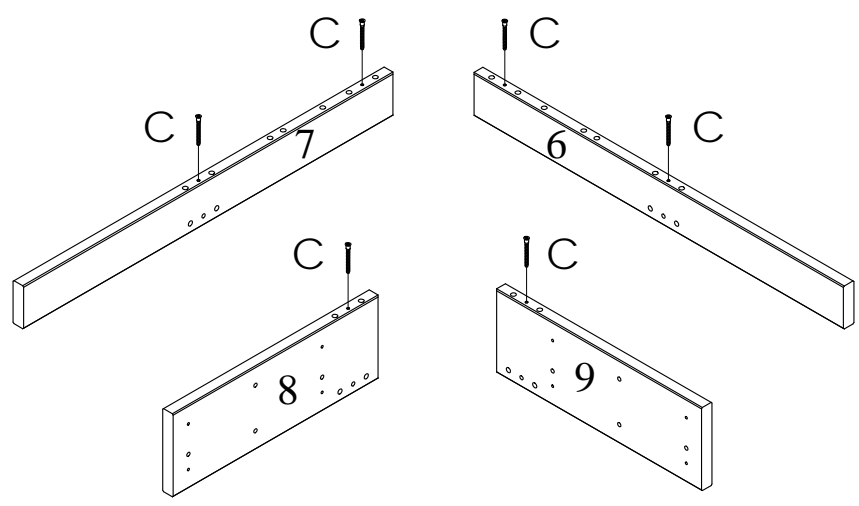
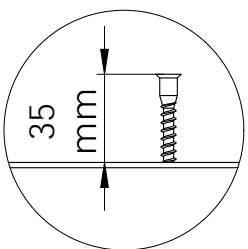


B		10x40	x30
---	--	-------	-----

③

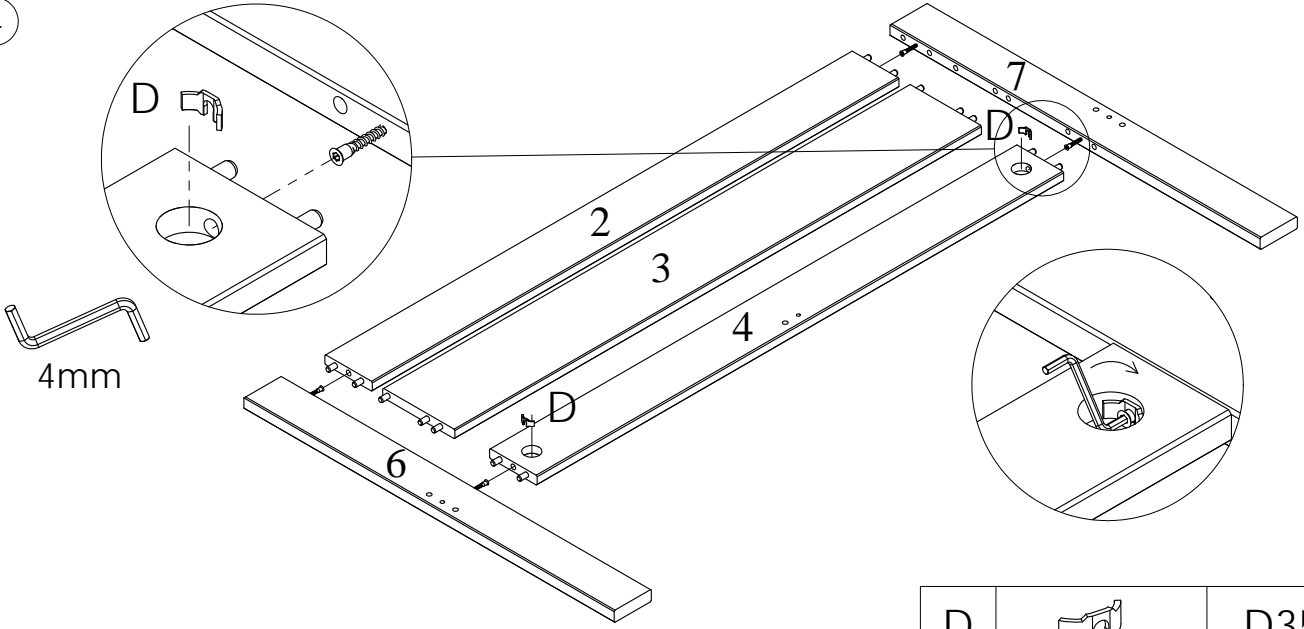


4mm



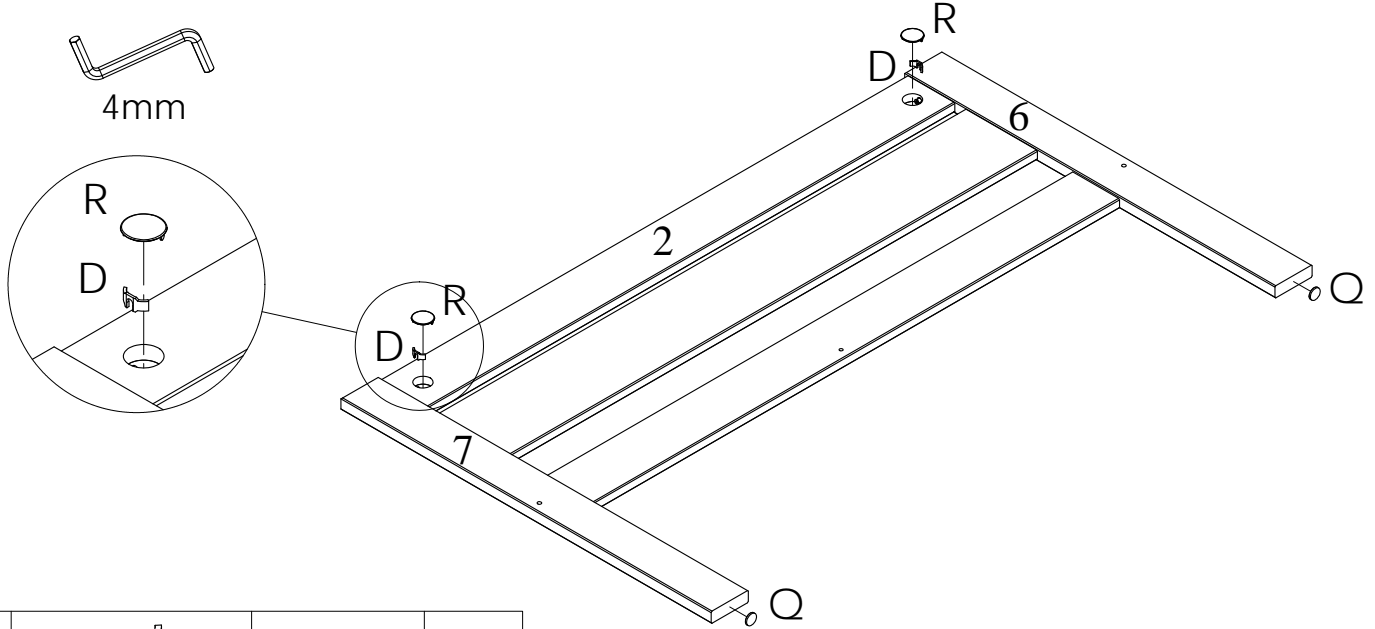
C		7x60	x6
---	--	------	----

4



D		D35	x2
---	--	-----	----

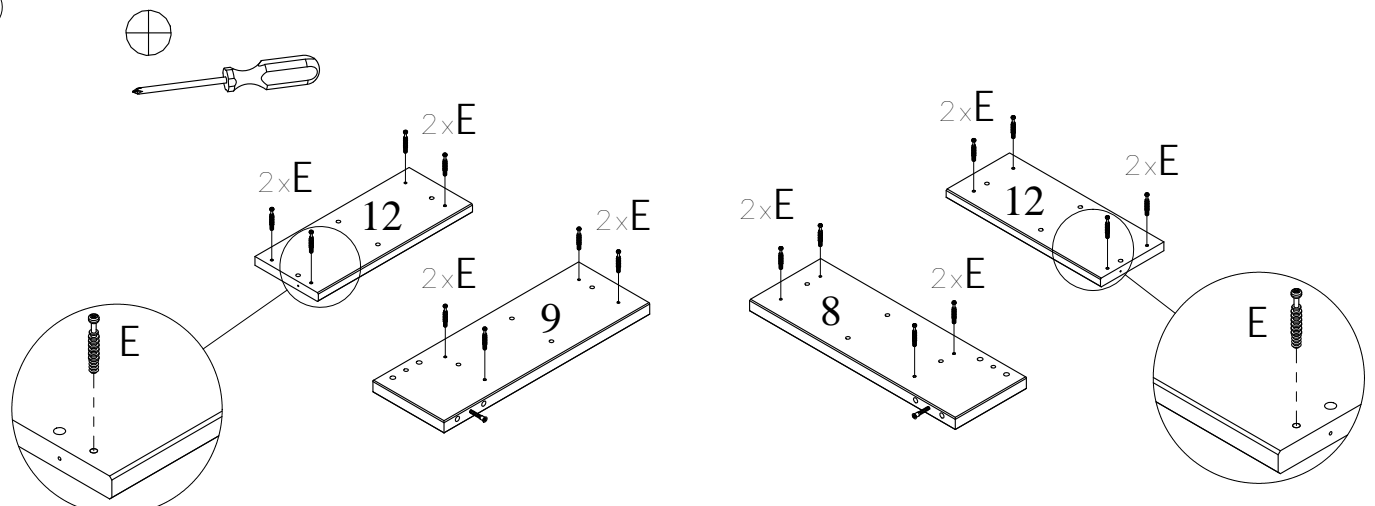
5



D		D35	x2
R		D35x9	x2

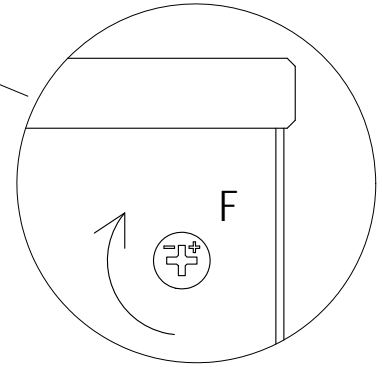
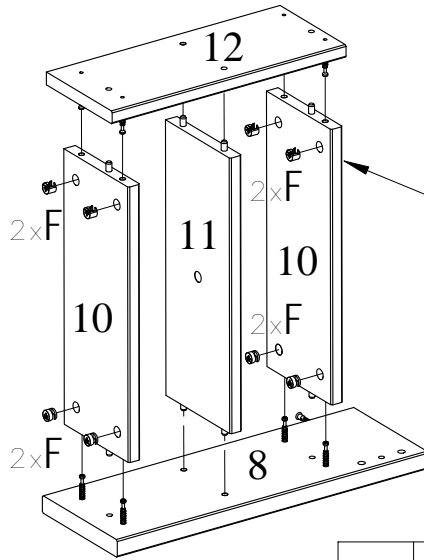
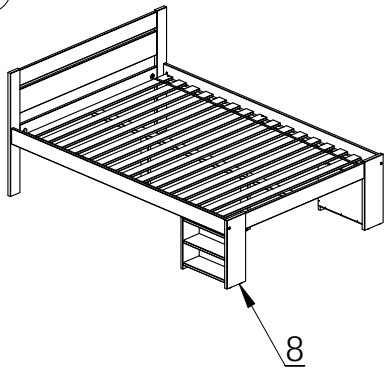
Q		D25x4	x2
---	--	-------	----

6



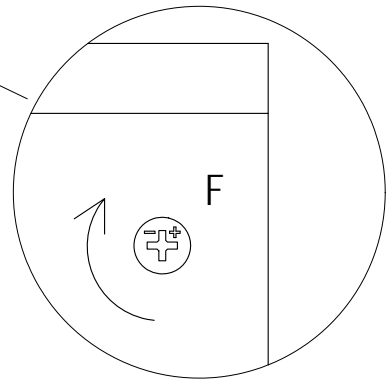
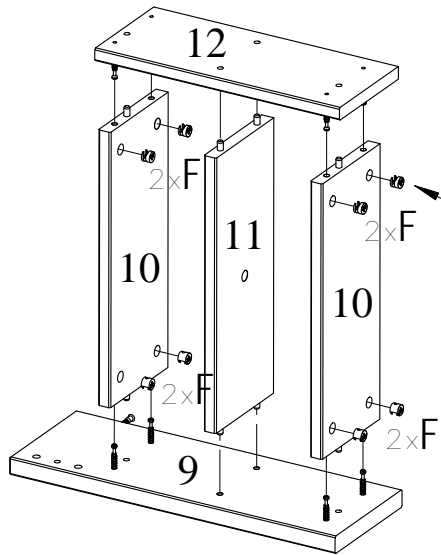
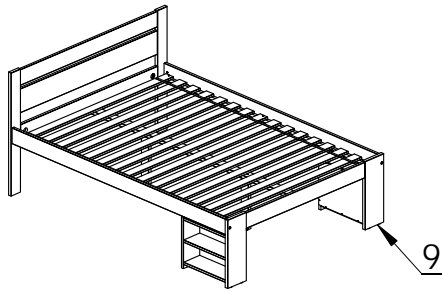
E		7x34	x16
---	--	------	-----

7



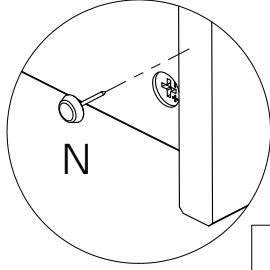
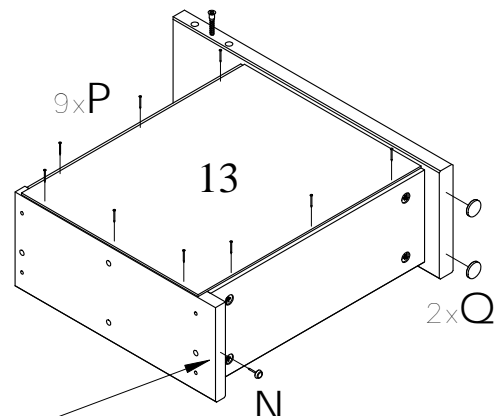
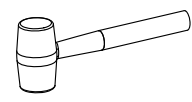
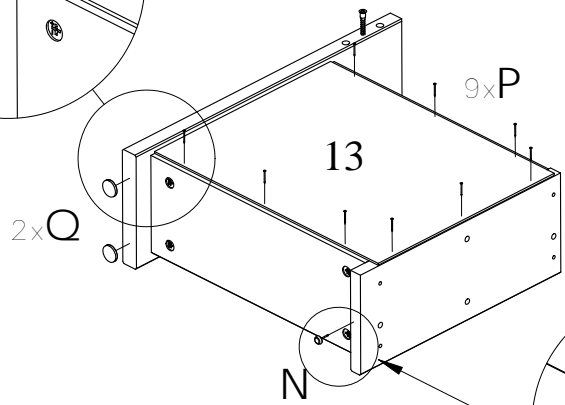
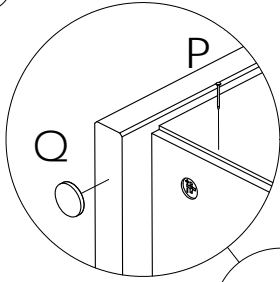
F		15x12	x8
---	--	-------	----

8



F		15x12	x8
---	--	-------	----

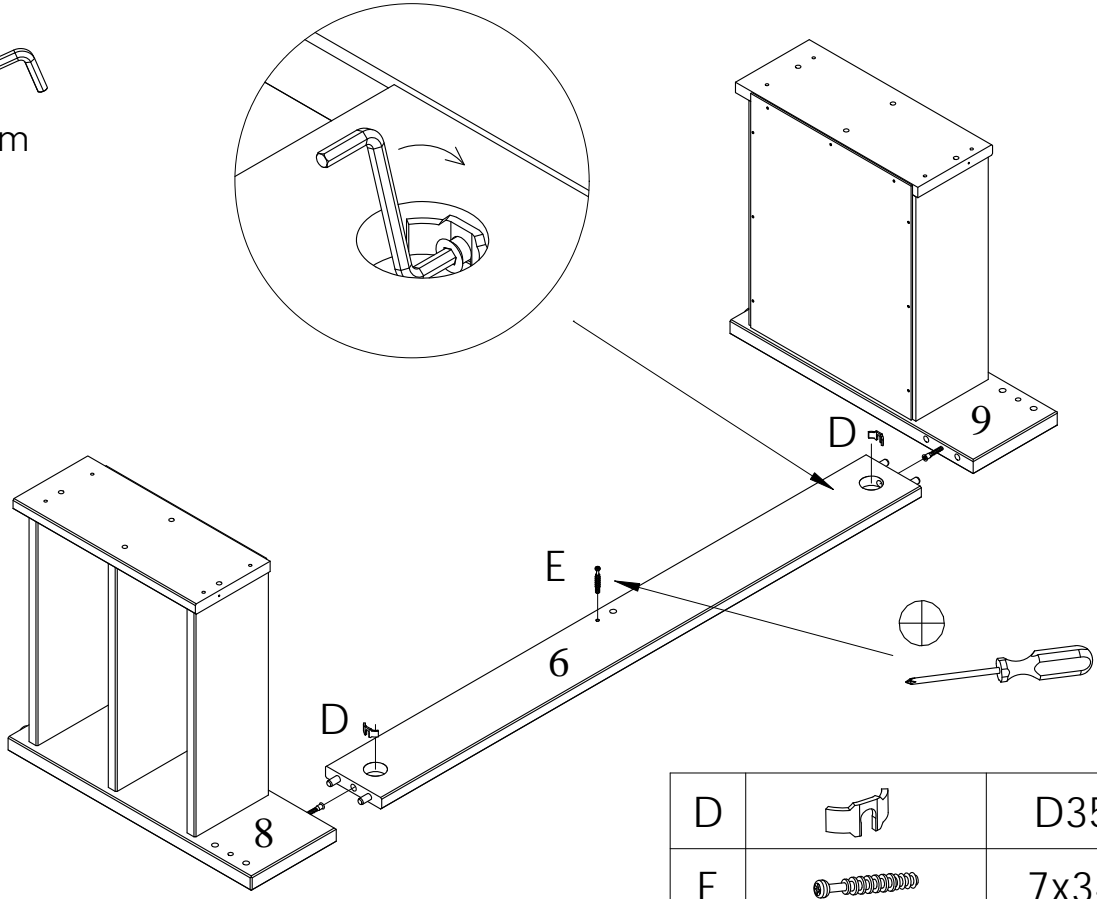
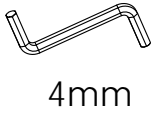
9

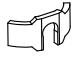



Q		D35	x4
N		D35x9	x2

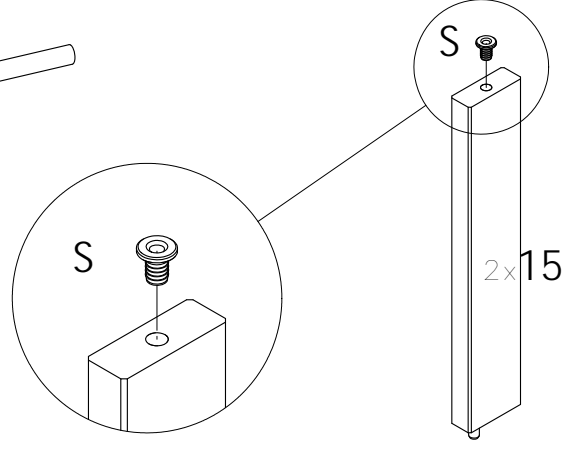
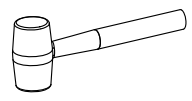
P		1,2x20	x18
---	--	--------	-----

10



D		D35	x2
E		7x34	x1

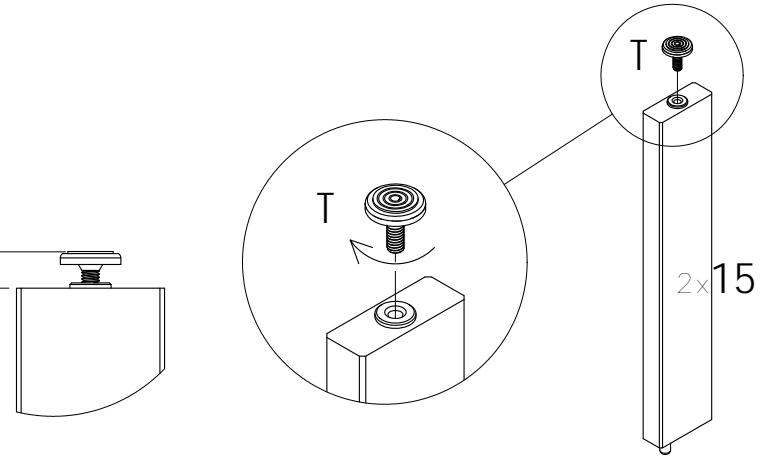
11

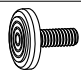


S		D8x20x10	x2
---	---	----------	----

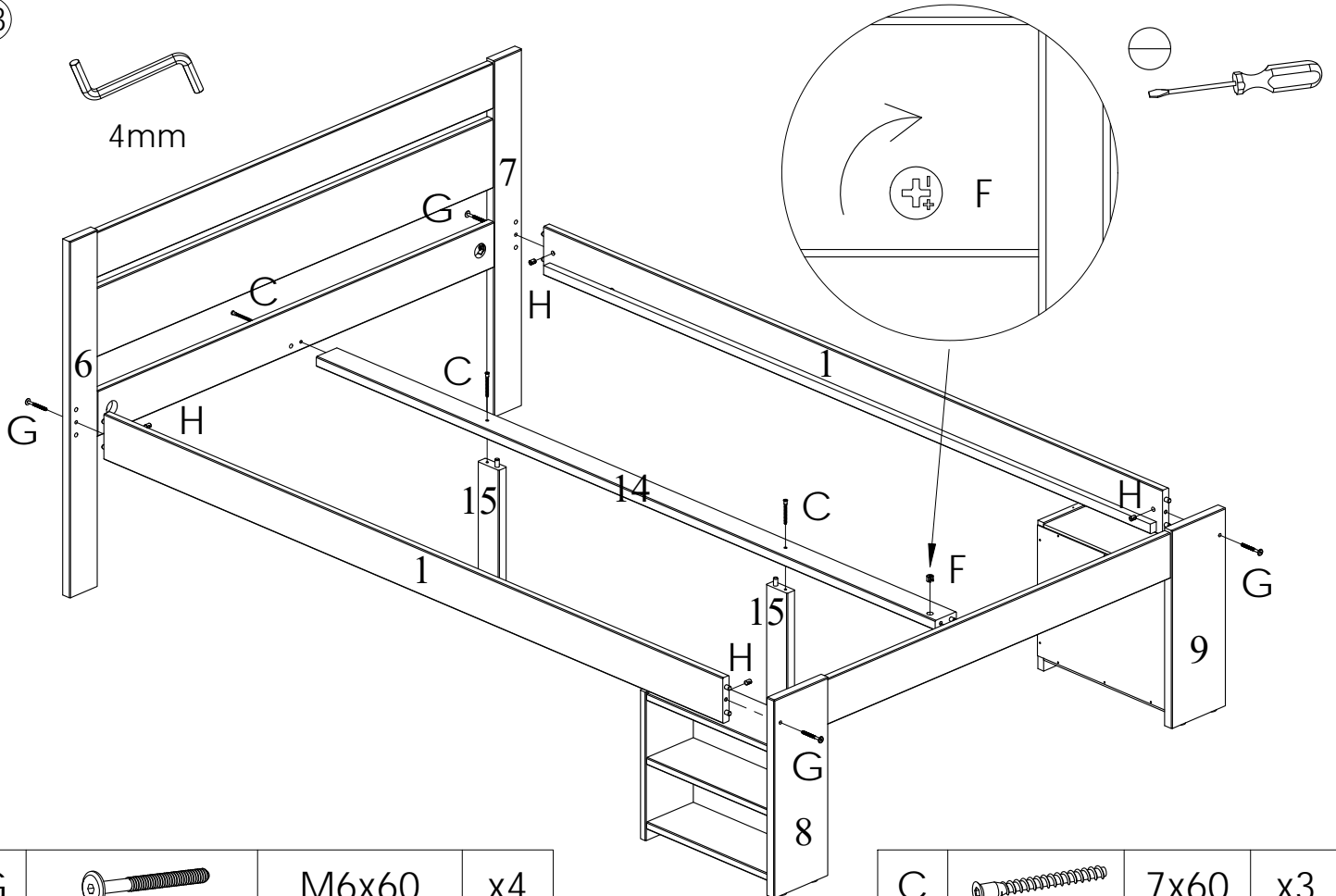
12



~17mm





T		D8xD28x20	x2
---	---	-----------	----

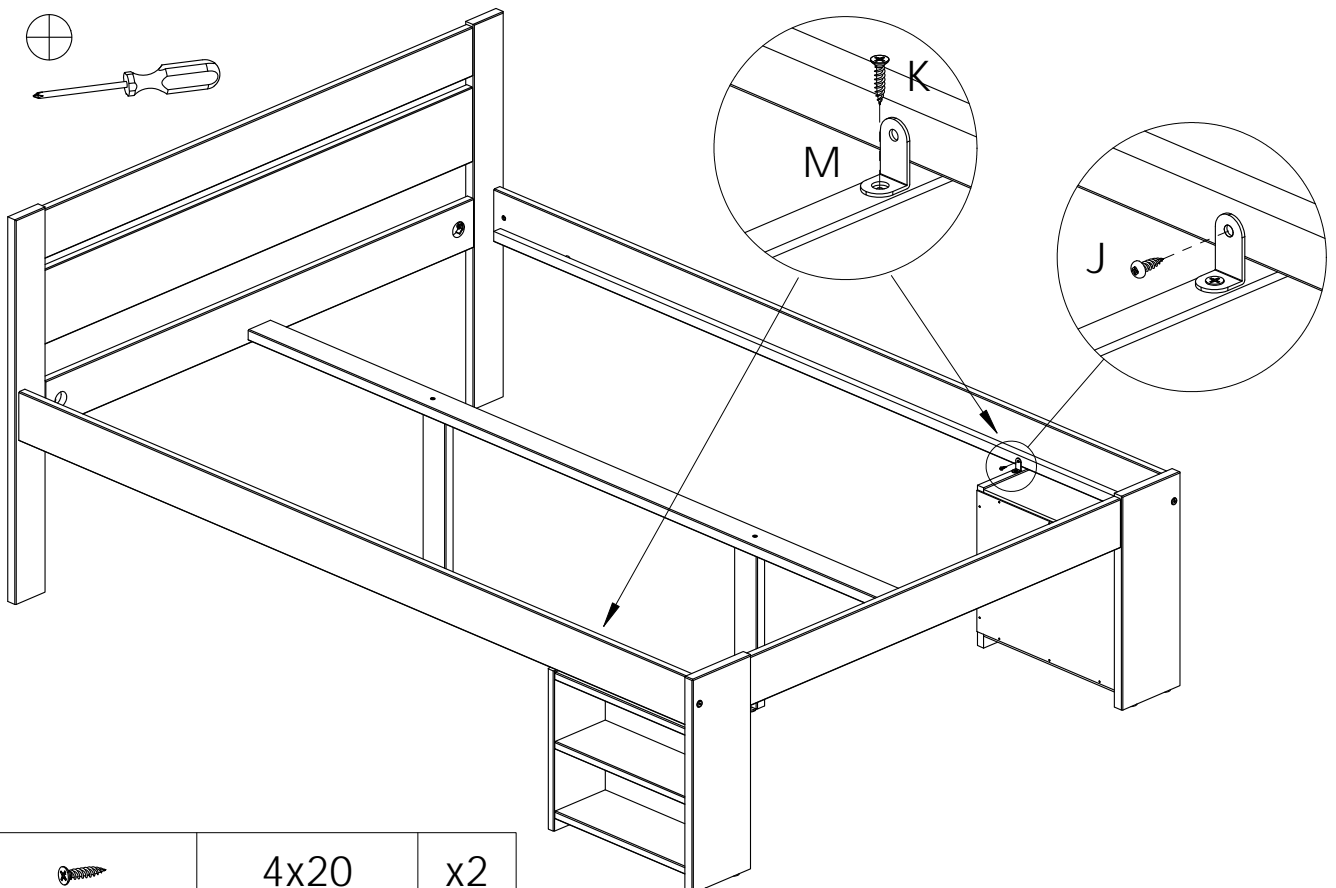
13






G		M6x60	x4
H		M6x10x13	x4

C		7x60	x3
F		15x12	x1

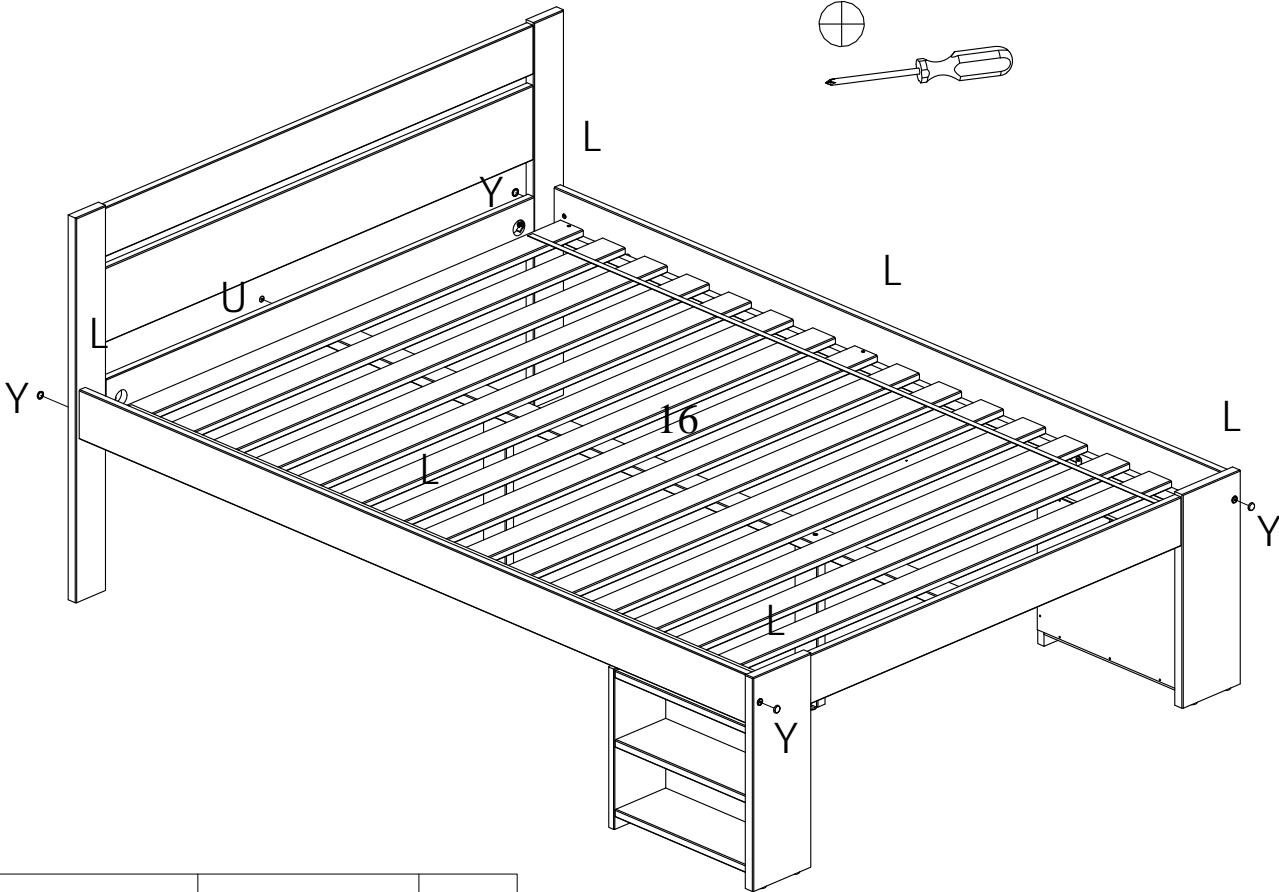
14






K		4x20	x2
J		3,5x16	x2

M		28x17x15	x2
---	---	----------	----

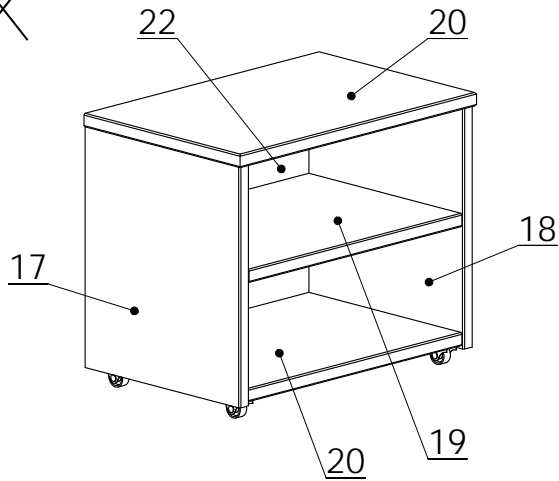
15



U		D4x13	x1
Y		D15x18	x4

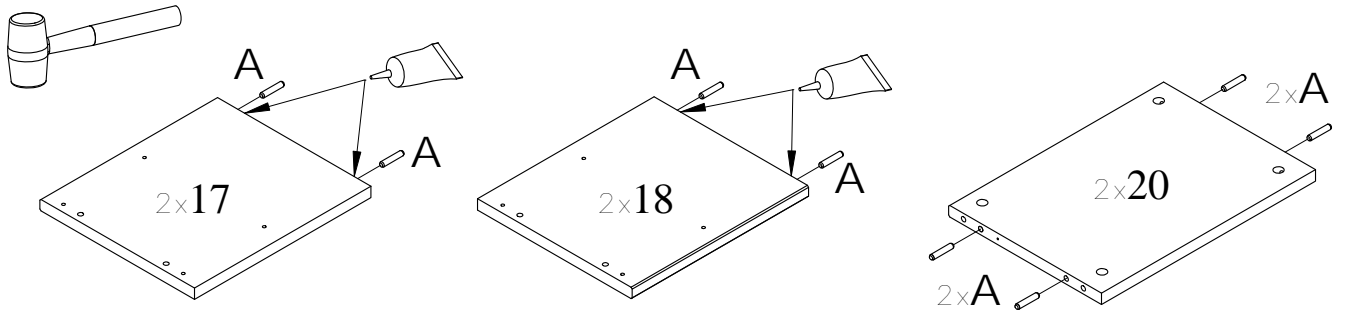
L		3,5x40	x6
---	---	--------	----

2x



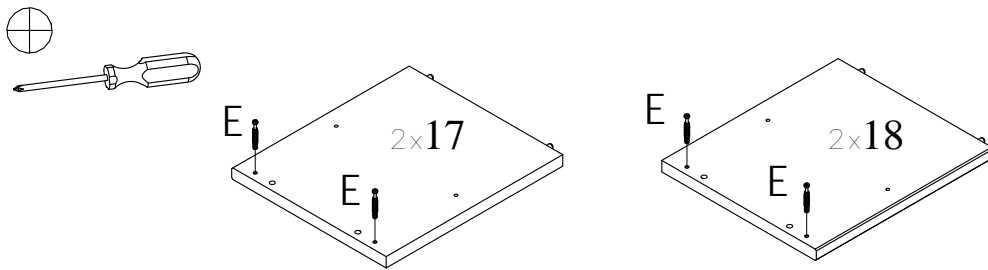
A		8x40	x16
E		7x34	x8
F		15x12	x8
X		D26	x8
J		3,5x16	x16
P		1,2x20	x24
Y		D5x16	x8
Z			x1

16



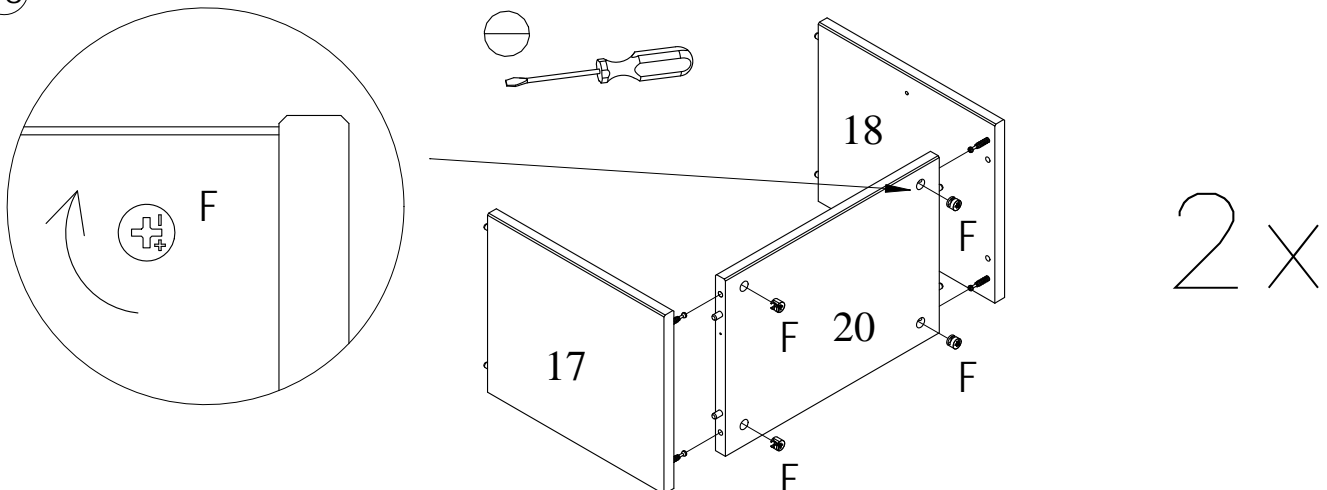
A		8x40	x16
---	--	------	-----

17



E		7x34	x8
---	--	------	----

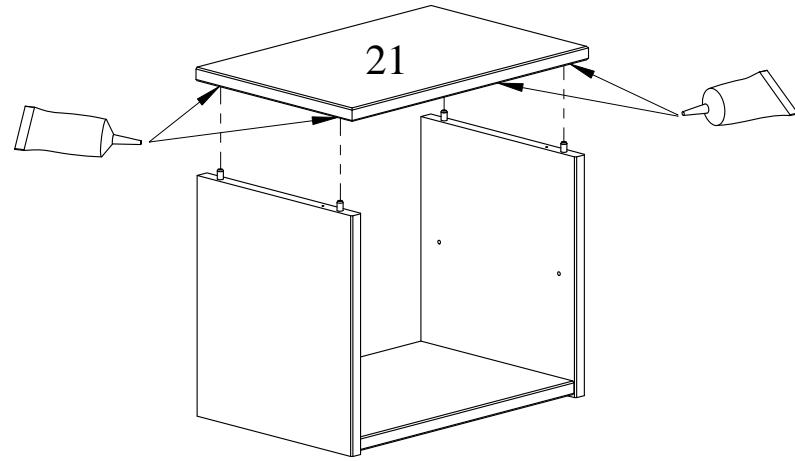
18



F		15x12	x8
---	--	-------	----

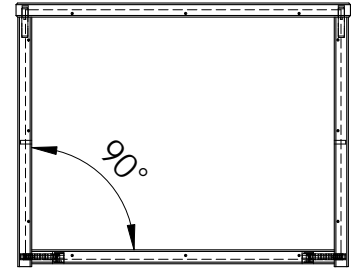
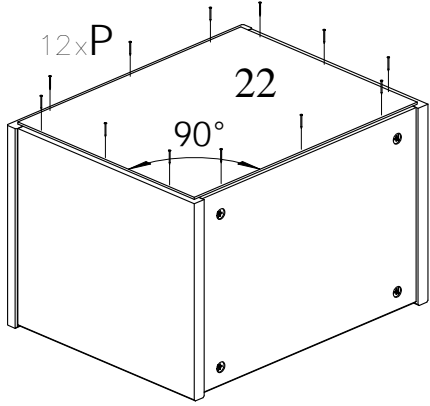
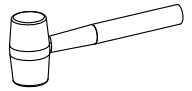
19

2x



20

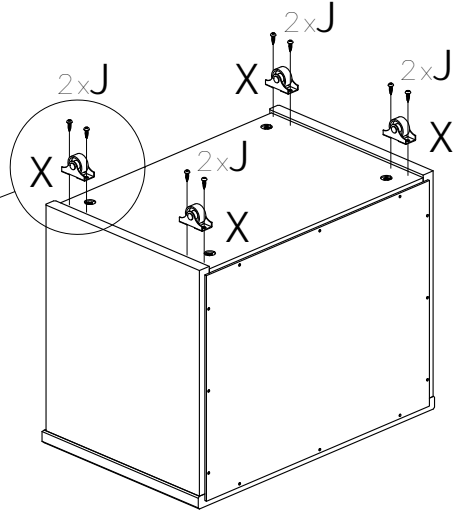
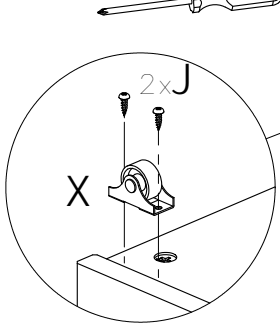
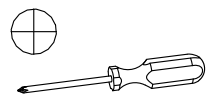
2x



P		1,2x20	x24
---	--	--------	-----

21

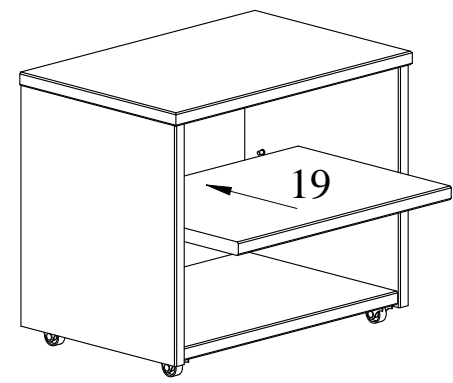
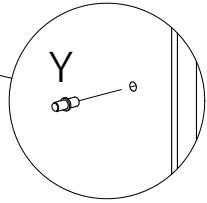
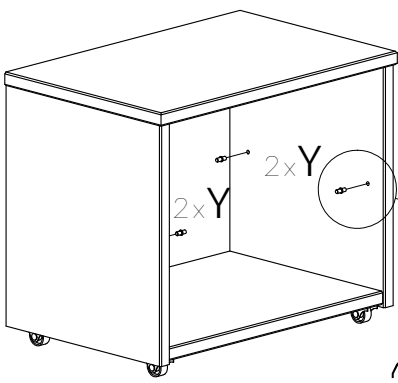
2x



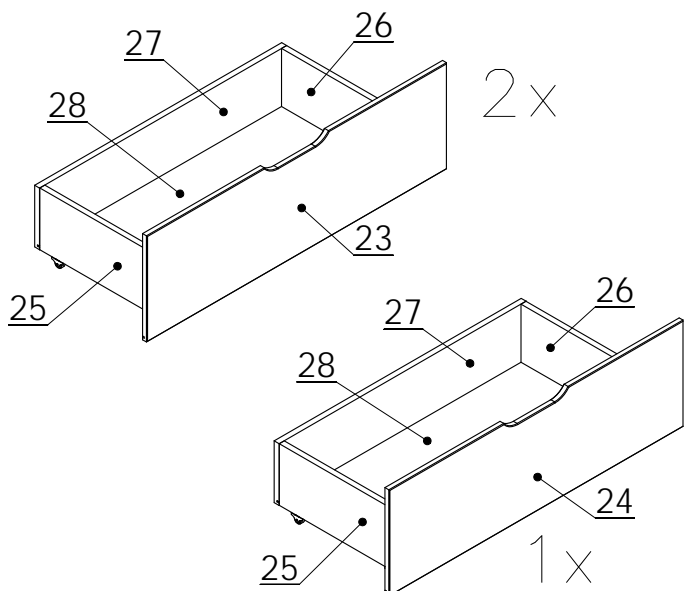
X		D26	x8
J		3,5x16	x16

22

2x

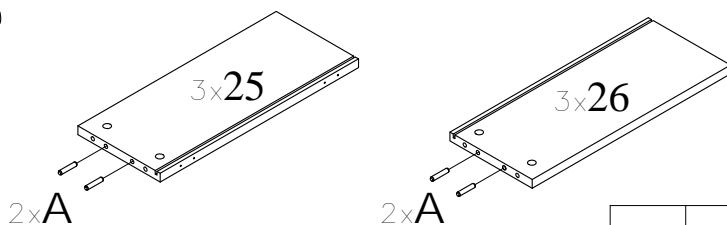
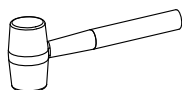


Y		D5x16	x8
---	--	-------	----



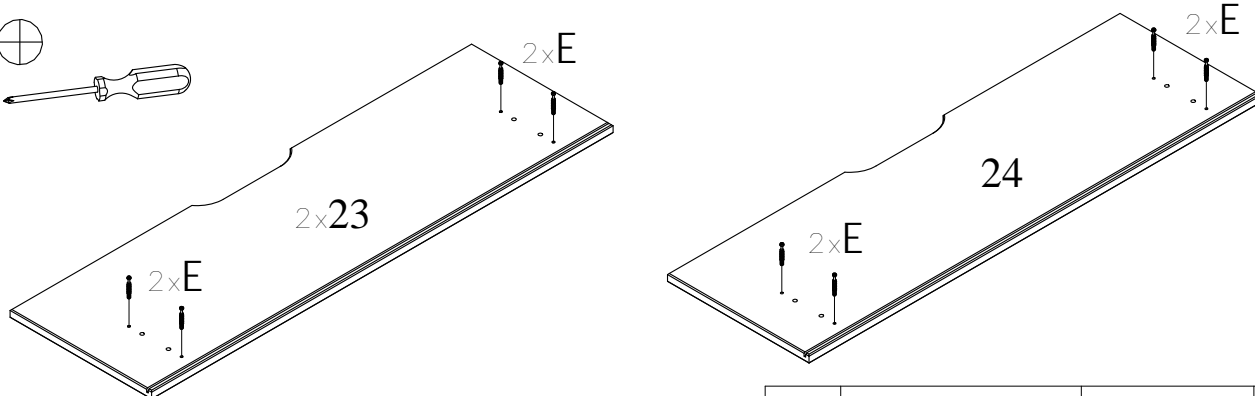
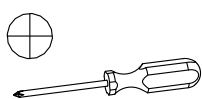
A		8x40	x12
E		7x34	x12
F		15x12	x12
X		D26	x12
J		3,5x16	x24
L		3,5x40	x12
M		28x17x15	x4
K		4x20	x4

23



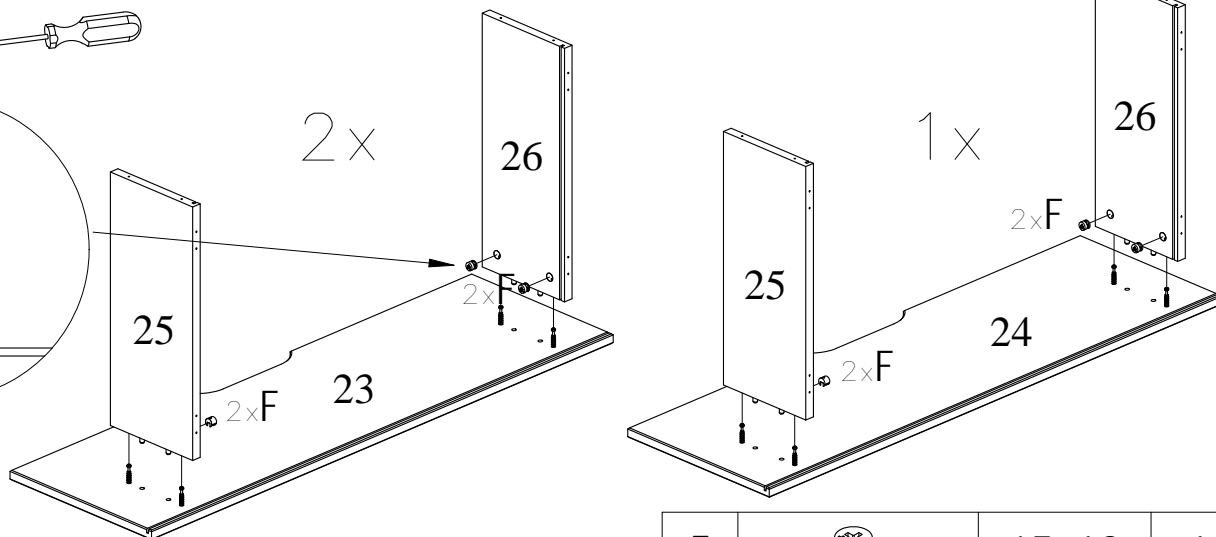
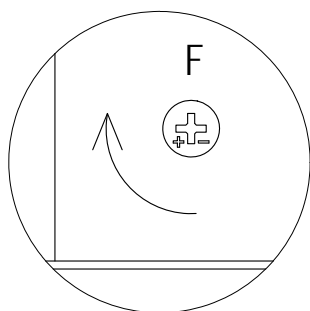
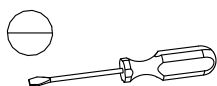
A		8x40	x12
---	--	------	-----

24



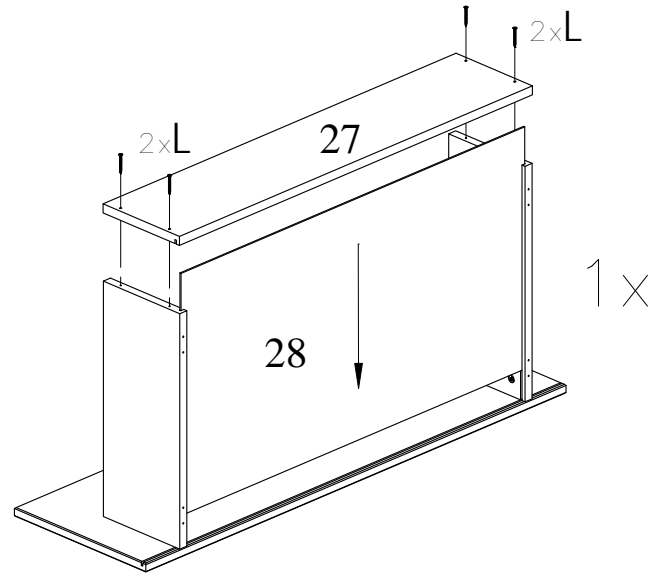
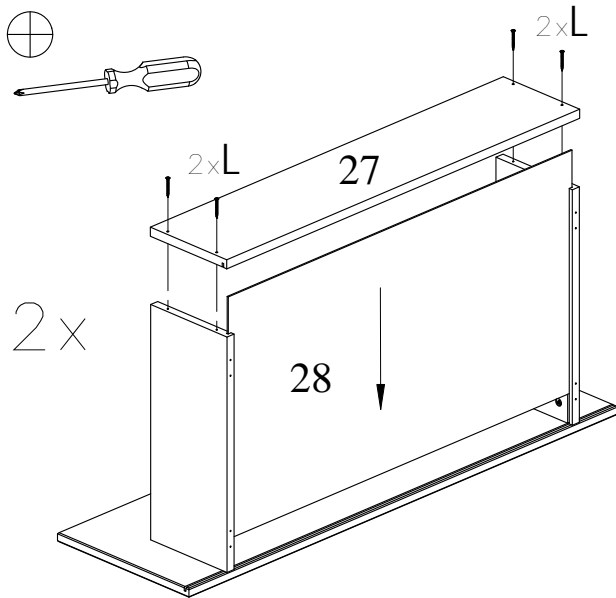
E		7x34	x12
---	--	------	-----

25



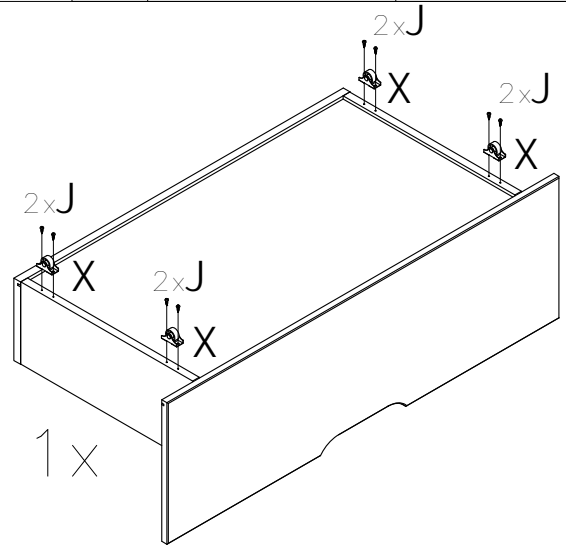
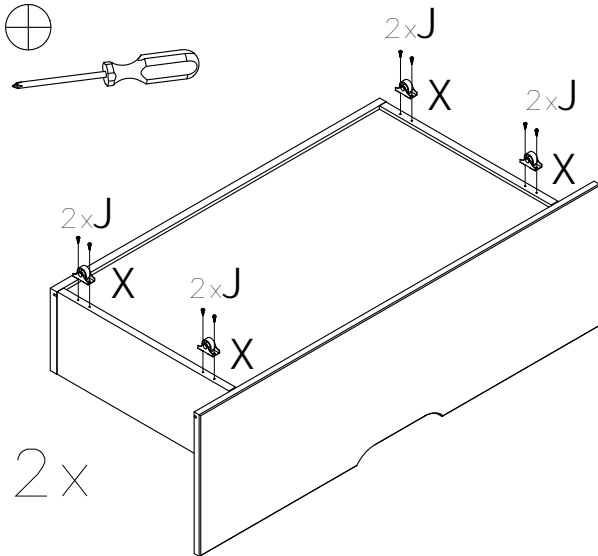
F		15x12	x12
---	--	-------	-----



26



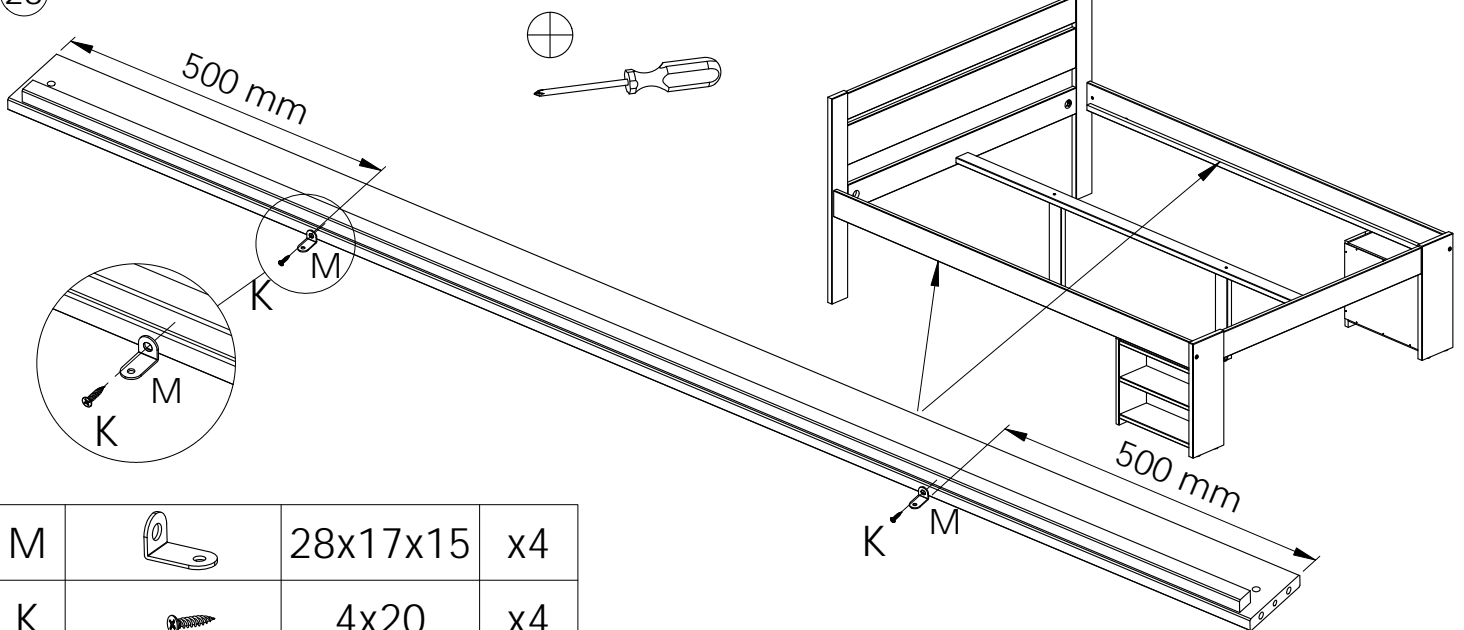
L		3,5x40	x12
---	---	--------	-----

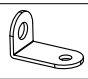

27



X		D26	x12
J		3,5x16	x24

28



M		28x17x15	x4
K		4x20	x4