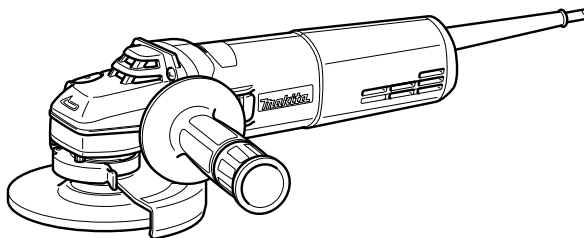




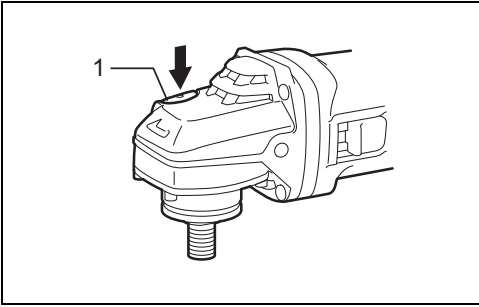
GB	Angle Grinder	Instruction manual
F	Meuleuse d'Angle	Manuel d'instructions
D	Winkelschleifer	Betriebsanleitung
I	Smerigliatrice angolare	Istruzioni per l'uso
NL	Haakse slijpmachine	Gebruiksaanwijzing
E	Esmeriladora Angular	Manual de instrucciones
P	Esmerilhadeira Angular	Manual de instruções
DK	Vinkelsliber	Brugsanvisning
GR	Γωνιακός τροχός	Οδηγίες χρήσης
TR	Taşlama Makinası	Kullanım kılavuzu

9564HR
9565HR



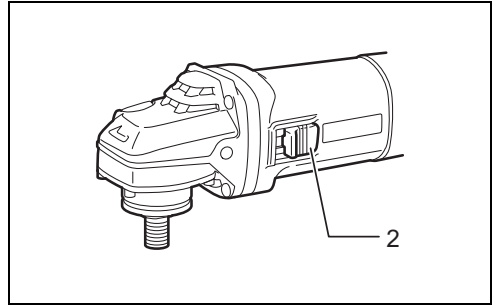
007357





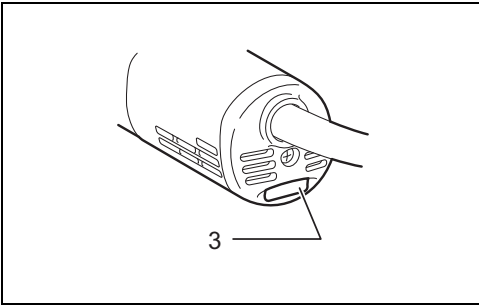
1

007358



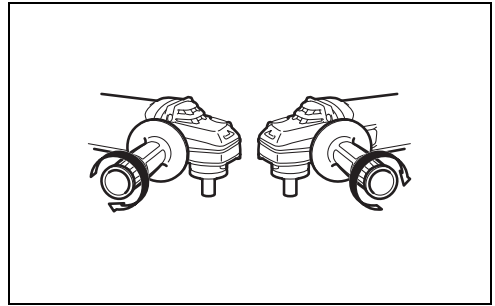
2

007359



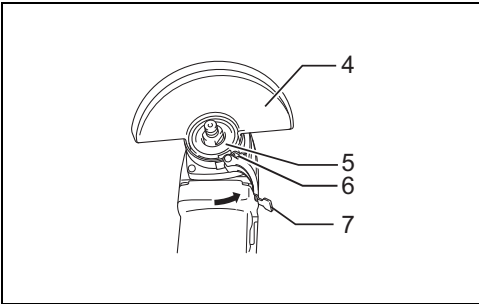
3

009416



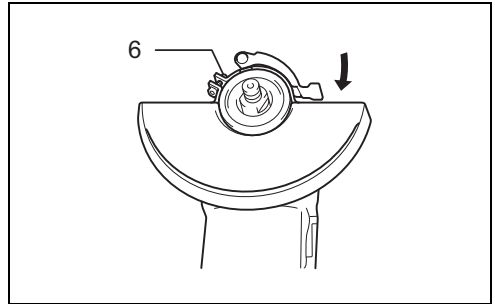
4

007360



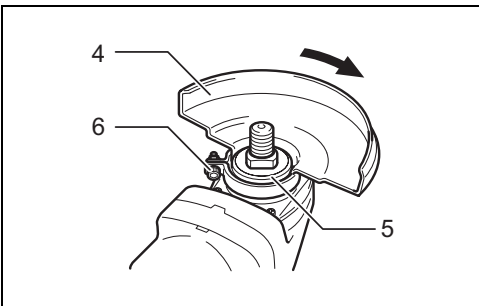
5

002980



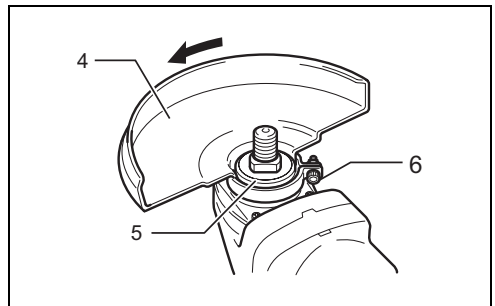
6

002981



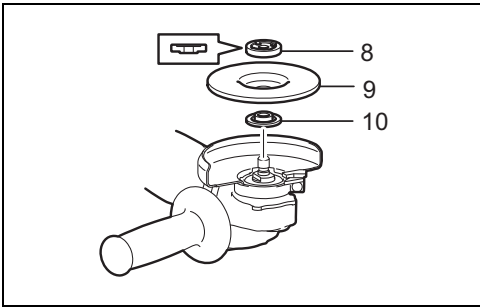
7

007568



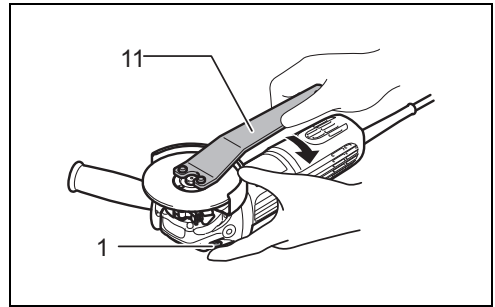
8

007569



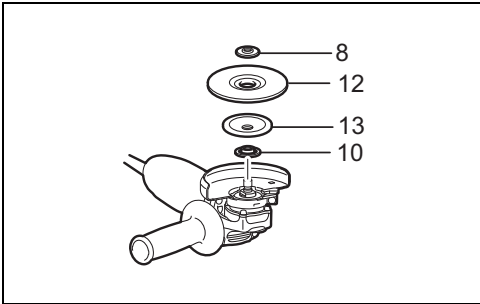
9

012802



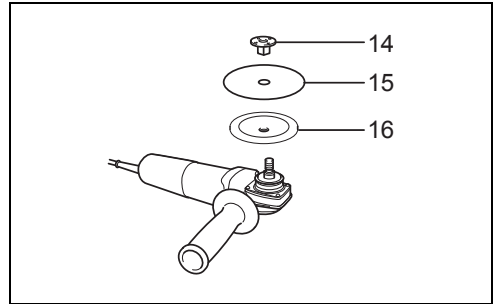
10

012727



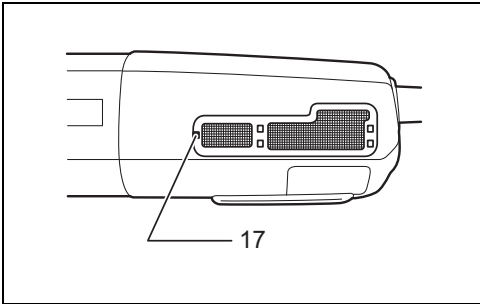
11

012740



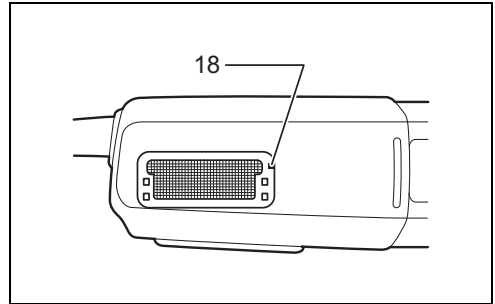
12

012742



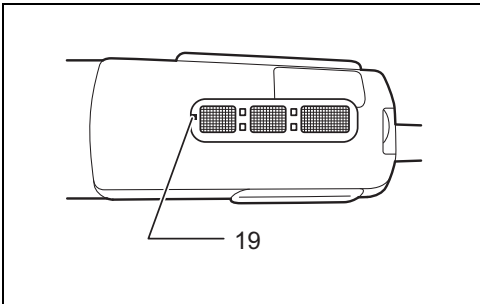
13

005259



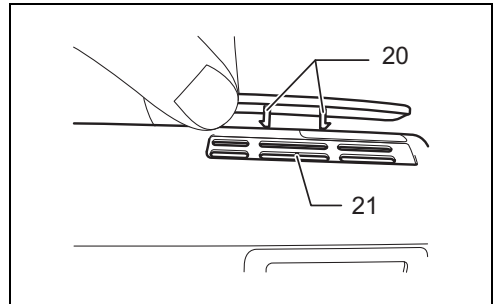
14

005260



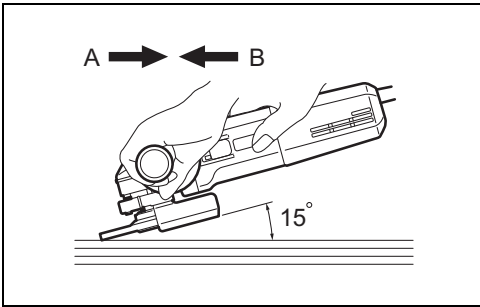
15

005261



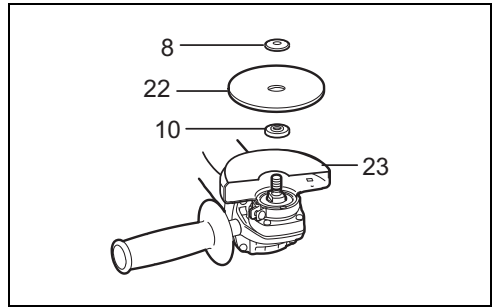
16

005262



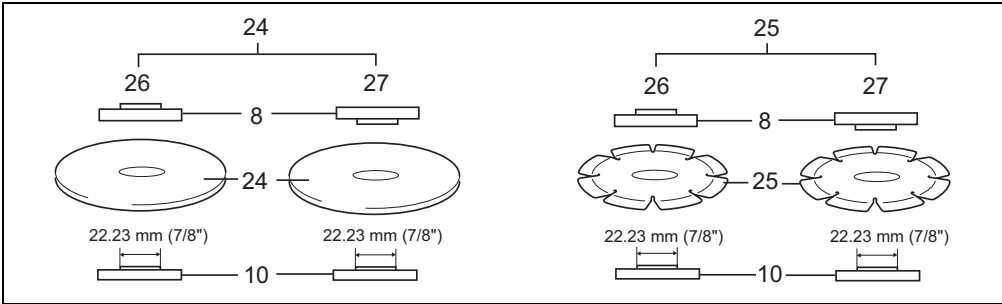
17

007364



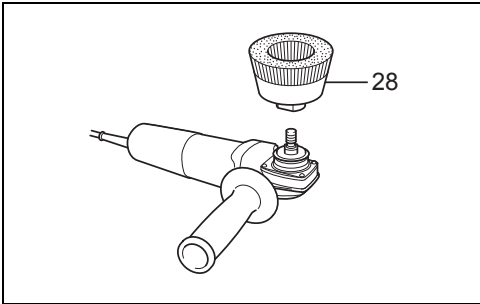
18

010855



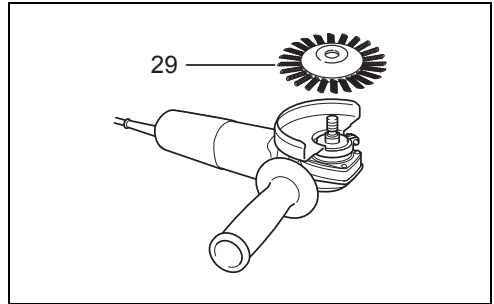
19

015257



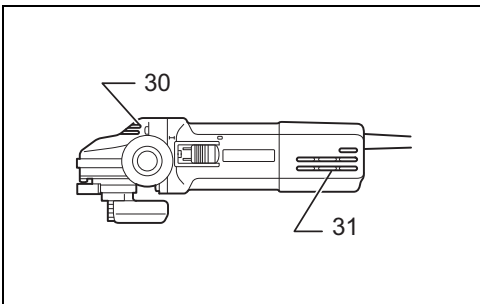
20

012743



21

012744



22

002985

ENGLISH (Original instructions)

Explanation of general view

- | | | |
|---------------------------|--|--|
| 1. Shaft lock | 13. Plastic pad | 23. Wheel guard for abrasive cut-off wheel/diamond wheel |
| 2. Slide switch | 14. Sanding lock nut | 24. Abrasive cut-off wheel |
| 3. Indication lamp | 15. Abrasive disc | 25. Diamond wheel |
| 4. Wheel guard | 16. Rubber pad | 26. Thickness: Less than 4 mm (5/32") |
| 5. Bearing box | 17. Marking A | 27. Thickness: 4 mm (5/32") or more |
| 6. Screw | 18. Marking B | 28. Wire cup brush |
| 7. Lever | 19. Marking C | 29. Wire wheel brush |
| 8. Lock nut | 20. Pin | 30. Exhaust vent |
| 9. Depressed center wheel | 21. Vent | 31. Inhalation vent |
| 10. Inner flange | 22. Abrasive cut-off wheel/diamond wheel | |
| 11. Lock nut wrench | | |
| 12. Flex wheel | | |

SPECIFICATIONS

Model	9564HR	9565HR
Wheel diameter	115 mm (4-1/2")	125 mm (5")
Max. wheel thickness	6.4 mm	
Spindle thread	M14 or 5/8" (country specific)	
Rated speed (n)/No load speed (n ₀)	12,000 min ⁻¹	
Overall length	299 mm	
Net weight	2.3 kg	2.4 kg
Safety class	□/II	

- Due to our continuing program of research and development, the specifications herein are subject to change without notice.
- Specifications may differ from country to country.
- Weight according to EPTA-Procedure 01/2003

Intended use ENE048-1

The tool is intended for grinding, sanding and cutting of metal and stone materials without the use of water.

Power supply ENF002-2

The tool should be connected only to a power supply of the same voltage as indicated on the nameplate, and can only be operated on single-phase AC supply. They are double-insulated and can, therefore, also be used from sockets without earth wire.

General Power Tool Safety Warnings

GEA010-1

⚠ WARNING Read all safety warnings and all instructions. Failure to follow the warnings and instructions may result in electric shock, fire and/or serious injury.

Save all warnings and instructions for future reference.

GRINDER SAFETY WARNINGS

GEB033-7

Safety Warnings Common for Grinding, Sanding, Wire Brushing, or Abrasive Cutting-Off Operations:

1. **This power tool is intended to function as a grinder, sander, wire brush or cut-off tool. Read all**

safety warnings, instructions, illustrations and specifications provided with this power tool.

Failure to follow all instructions listed below may result in electric shock, fire and/or serious injury.

2. **Operations such as polishing are not recommended to be performed with this power tool.** Operations for which the power tool was not designed may create a hazard and cause personal injury.
3. **Do not use accessories which are not specifically designed and recommended by the tool manufacturer.** Just because the accessory can be attached to your power tool, it does not assure safe operation.
4. **The rated speed of the accessory must be at least equal to the maximum speed marked on the power tool.** Accessories running faster than their rated speed can break and fly apart.
5. **The outside diameter and the thickness of your accessory must be within the capacity rating of your power tool.** Incorrectly sized accessories cannot be adequately guarded or controlled.
6. **Threaded mounting of accessories must match the grinder spindle thread. For accessories mounted by flanges, the arbour hole of the accessory must fit the locating diameter of the flange.** Accessories that do not match the mounting hardware of the power tool will run out of balance, vibrate excessively and may cause loss of control.

7. **Do not use a damaged accessory. Before each use inspect the accessory such as abrasive wheels for chips and cracks, backing pad for cracks, tear or excess wear, wire brush for loose or cracked wires. If power tool or accessory is dropped, inspect for damage or install an undamaged accessory. After inspecting and installing an accessory, position yourself and bystanders away from the plane of the rotating accessory and run the power tool at maximum no-load speed for one minute.** Damaged accessories will normally break apart during this test time.
8. **Wear personal protective equipment. Depending on application, use face shield, safety goggles or safety glasses. As appropriate, wear dust mask, hearing protectors, gloves and workshop apron capable of stopping small abrasive or workpiece fragments.** The eye protection must be capable of stopping flying debris generated by various operations. The dust mask or respirator must be capable of filtrating particles generated by your operation. Prolonged exposure to high intensity noise may cause hearing loss.
9. **Keep bystanders a safe distance away from work area. Anyone entering the work area must wear personal protective equipment.** Fragments of workpiece or of a broken accessory may fly away and cause injury beyond immediate area of operation.
10. **Hold the power tool by insulated gripping surfaces only, when performing an operation where the cutting accessory may contact hidden wiring or its own cord.** Cutting accessory contacting a "live" wire may make exposed metal parts of the power tool "live" and could give the operator an electric shock.
11. **Position the cord clear of the spinning accessory.** If you lose control, the cord may be cut or snagged and your hand or arm may be pulled into the spinning accessory.
12. **Never lay the power tool down until the accessory has come to a complete stop.** The spinning accessory may grab the surface and pull the power tool out of your control.
13. **Do not run the power tool while carrying it at your side.** Accidental contact with the spinning accessory could snag your clothing, pulling the accessory into your body.
14. **Regularly clean the power tool's air vents.** The motor's fan will draw the dust inside the housing and excessive accumulation of powdered metal may cause electrical hazards.
15. **Do not operate the power tool near flammable materials.** Sparks could ignite these materials.
16. **Do not use accessories that require liquid coolants.** Using water or other liquid coolants may result in electrocution or shock.

Kickback and Related Warnings

Kickback is a sudden reaction to a pinched or snagged rotating wheel, backing pad, brush or any other accessory. Pinching or snagging causes rapid stalling of the rotating accessory which in turn causes the uncontrolled power tool to be forced in the direction opposite of the accessory's rotation at the point of the binding.

For example, if an abrasive wheel is snagged or pinched by the workpiece, the edge of the wheel that is entering into the pinch point can dig into the surface of the material causing the wheel to climb out or kick out. The wheel may either jump toward or away from the operator, depending on direction of the wheel's movement at the point of pinching. Abrasive wheels may also break under these conditions.

Kickback is the result of power tool misuse and/or incorrect operating procedures or conditions and can be avoided by taking proper precautions as given below.

- a) **Maintain a firm grip on the power tool and position your body and arm to allow you to resist kickback forces. Always use auxiliary handle, if provided, for maximum control over kickback or torque reaction during start-up.** The operator can control torque reactions or kickback forces, if proper precautions are taken.
- b) **Never place your hand near the rotating accessory.** Accessory may kickback over your hand.
- c) **Do not position your body in the area where power tool will move if kickback occurs.** Kickback will propel the tool in direction opposite to the wheel's movement at the point of snagging.
- d) **Use special care when working corners, sharp edges etc. Avoid bouncing and snagging the accessory.** Corners, sharp edges or bouncing have a tendency to snag the rotating accessory and cause loss of control or kickback.
- e) **Do not attach a saw chain woodcarving blade or toothed saw blade.** Such blades create frequent kickback and loss of control.

Safety Warnings Specific for Grinding and Abrasive Cutting-Off Operations:

- a) **Use only wheel types that are recommended for your power tool and the specific guard designed for the selected wheel.** Wheels for which the power tool was not designed cannot be adequately guarded and are unsafe.
- b) **The grinding surface of centre depressed wheels must be mounted below the plane of the guard lip.** An improperly mounted wheel that projects through the plane of the guard lip cannot be adequately protected.
- c) **The guard must be securely attached to the power tool and positioned for maximum safety, so the least amount of wheel is exposed towards the operator.** The guard helps to protect the operator from broken wheel fragments, accidental contact with wheel and sparks that could ignite clothing.
- d) **Wheels must be used only for recommended applications. For example: do not grind with the side of cut-off wheel.** Abrasive cut-off wheels are intended for peripheral grinding, side forces applied to these wheels may cause them to shatter.
- e) **Always use undamaged wheel flanges that are of correct size and shape for your selected wheel.** Proper wheel flanges support the wheel thus reducing the possibility of wheel breakage. Flanges for cut-off wheels may be different from grinding wheel flanges.
- f) **Do not use worn down wheels from larger power tools.** Wheel intended for larger power tool is not suitable for the higher speed of a smaller tool and may burst.

Additional Safety Warnings Specific for Abrasive Cutting-Off Operations:

- a) **Do not “jam” the cut-off wheel or apply excessive pressure. Do not attempt to make an excessive depth of cut.** Overstressing the wheel increases the loading and susceptibility to twisting or binding of the wheel in the cut and the possibility of kickback or wheel breakage.
- b) **Do not position your body in line with and behind the rotating wheel.** When the wheel, at the point of operation, is moving away from your body, the possible kickback may propel the spinning wheel and the power tool directly at you.
- c) **When wheel is binding or when interrupting a cut for any reason, switch off the power tool and hold the power tool motionless until the wheel comes to a complete stop. Never attempt to remove the cut-off wheel from the cut while the wheel is in motion otherwise kickback may occur.** Investigate and take corrective action to eliminate the cause of wheel binding.
- d) **Do not restart the cutting operation in the workpiece. Let the wheel reach full speed and carefully re-enter the cut.** The wheel may bind, walk up or kickback if the power tool is restarted in the workpiece.
- e) **Support panels or any oversized workpiece to minimize the risk of wheel pinching and kickback.** Large workpieces tend to sag under their own weight. Supports must be placed under the workpiece near the line of cut and near the edge of the workpiece on both sides of the wheel.
- f) **Use extra caution when making a “pocket cut” into existing walls or other blind areas.** The protruding wheel may cut gas or water pipes, electrical wiring or objects that can cause kickback.

Safety Warnings Specific for Sanding Operations:

- a) **Do not use excessively oversized sanding disc paper. Follow manufacturers recommendations, when selecting sanding paper.** Larger sanding paper extending beyond the sanding pad presents a laceration hazard and may cause snagging, tearing of the disc or kickback.

Safety Warnings Specific for Wire Brushing Operations:

- a) **Be aware that wire bristles are thrown by the brush even during ordinary operation. Do not overstress the wires by applying excessive load to the brush.** The wire bristles can easily penetrate light clothing and/or skin.
- b) **If the use of a guard is recommended for wire brushing, do not allow interference of the wire wheel or brush with the guard.** Wire wheel or brush may expand in diameter due to work load and centrifugal forces.

Additional Safety Warnings:

17. **When using depressed centre grinding wheels, be sure to use only fiberglass-reinforced wheels.**
18. **NEVER USE Stone Cup type wheels with this grinder.** This grinder is not designed for these types of wheels and the use of such a product may result in serious personal injury.
19. **Be careful not to damage the spindle, the flange (especially the installing surface) or the lock nut.**

Damage to these parts could result in wheel breakage.

20. **Make sure the wheel is not contacting the workpiece before the switch is turned on.**
21. **Before using the tool on an actual workpiece, let it run for a while. Watch for vibration or wobbling that could indicate poor installation or a poorly balanced wheel.**
22. **Use the specified surface of the wheel to perform the grinding.**
23. **Do not leave the tool running. Operate the tool only when hand-held.**
24. **Do not touch the workpiece immediately after operation; it may be extremely hot and could burn your skin.**
25. **Observe the instructions of the manufacturer for correct mounting and use of wheels. Handle and store wheels with care.**
26. **Do not use separate reducing bushings or adaptors to adapt large hole abrasive wheels.**
27. **Use only flanges specified for this tool.**
28. **For tools intended to be fitted with threaded hole wheel, ensure that the thread in the wheel is long enough to accept the spindle length.**
29. **Check that the workpiece is properly supported.**
30. **Pay attention that the wheel continues to rotate after the tool is switched off.**
31. **If working place is extremely hot and humid, or badly polluted by conductive dust, use a short-circuit breaker (30 mA) to assure operator safety.**
32. **Do not use the tool on any materials containing asbestos.**
33. **When use cut-off wheel, always work with the dust collecting wheel guard required by domestic regulation.**
34. **Cutting discs must not be subjected to any lateral pressure.**

SAVE THESE INSTRUCTIONS.

⚠ WARNING:

DO NOT let comfort or familiarity with product (gained from repeated use) replace strict adherence to safety rules for the subject product. **MISUSE** or failure to follow the safety rules stated in this instruction manual may cause serious personal injury.

FUNCTIONAL DESCRIPTION

⚠ CAUTION:

- Always be sure that the tool is switched off and unplugged before adjusting or checking function on the tool.

Shaft lock

⚠ CAUTION:

- Never actuate the shaft lock when the spindle is moving. The tool may be damaged. **(Fig. 1)** Press the shaft lock to prevent spindle rotation when installing or removing accessories.

Switch action

CAUTION:

- Before plugging in the tool, always check to see that the slide switch actuates properly and returns to the “OFF” position when the rear of the slide switch is depressed.
- Switch can be locked in “ON” position for ease of operator comfort during extended use. Apply caution when locking tool in “ON” position and maintain firm grasp on tool.

To start the tool, slide the slide switch toward the “I (ON)” position by pushing the rear of the slide switch. For continuous operation, press the front of the slide switch to lock it. (Fig. 2)

To stop the tool, press the rear of the slide switch, then slide it toward the “O (OFF)” position.

Indication lamp (Fig. 3)

The indication lamp lights up green when the tool is plugged. If the indication lamp does not light up, the mains cord or the controller may be defective. The indication lamp is lit but the tool does not start even if the tool is switched on, the carbon brushes may be worn out, or the controller, the motor or the ON/OFF switch may be defective.

Unintentional restart proof

The tool does not start with the switch being lock-on even when the tool is plugged.

At this time, the indication lamp flickers red and shows the unintentional restart proof device is on function.

To cancel the unintentional restart proof, return the slide switch to “O (OFF)” position.

Soft start feature

Soft start feature suppresses starting shock.

ASSEMBLY

CAUTION:

- Always be sure that the tool is switched off and unplugged before carrying out any work on the tool.

Installing side grip (handle)

CAUTION:

- Always be sure that the side grip is installed securely before operation.

Screw the side grip securely on the position of the tool as shown in the figure. (Fig. 4)

Installing or removing wheel guard (For depressed center wheel, flap disc, flex wheel, wire wheel brush/abrasive cut-off wheel, diamond wheel)

WARNING:

- When using a depressed center wheel, flap disc, flex wheel or wire wheel brush, the wheel guard must be fitted on the tool so that the closed side of the guard always points toward the operator.
- When using an abrasive cut-off/diamond wheel, be sure to use only the special wheel guard designed for

use with cut-off wheels. (In some European countries, when using a diamond wheel, the ordinary guard can be used. Follow the regulations in your country.)

For tool with clamp lever type wheel guard (Fig. 5)

Loosen the screw, and then pull the lever in the direction of the arrow. Mount the wheel guard with the protrusions on the wheel guard band aligned with the notches on the bearing box. Then rotate the wheel guard to such an angle that it can protect the operator according to work. Pull the lever in direction of the arrow. Then tighten the wheel guard with fastening the screw. Be sure to tighten the screw securely. The setting angle of the wheel guard can be adjusted with the lever. (Fig. 6)

To remove wheel guard, follow the installation procedure in reverse.

For tool with locking screw type wheel guard (Fig. 7 & 8)

Mount the wheel guard with the protrusions on the wheel guard band aligned with the notches on the bearing box. Then rotate the wheel guard to such an angle that it can protect the operator according to work. Be sure to tighten the screw securely.

To remove wheel guard, follow the installation procedure in reverse.

Installing or removing depressed center wheel or flap disc (optional accessory)

WARNING:

- When using a depressed center wheel or flap disc, the wheel guard must be fitted on the tool so that the closed side of the guard always points toward the operator.

Mount the inner flange onto the spindle.

Make sure to fit the dented part of the inner flange onto the straight part at the bottom of the spindle.

Fit the wheel/disc on the inner flange and screw the lock nut onto the spindle. (Fig. 9)

To tighten the lock nut, press the shaft lock firmly so that the spindle cannot revolve, then use the lock nut wrench and securely tighten clockwise. (Fig. 10)

To remove the wheel, follow the installation procedure in reverse.

Super flange (optional accessory)

Models with the letter F are standard-equipped with Super flange. Only 1/3 of efforts needed to undo lock nut, compared with conventional type.

Installing or removing flex wheel (optional accessory)

WARNING:

- Always use supplied guard when flex wheel is on tool. Wheel can shatter during use and guard helps to reduce chances of personal injury.

Follow instructions for depressed center wheel but also use plastic pad over wheel. See order of assembly on accessories page in this manual. (Fig. 11)

Installing or removing abrasive disc (optional accessory)

NOTE:

- Use sander accessories specified in this manual. These must be purchased separately.

Mount the rubber pad onto the spindle. Fit the disc on the rubber pad and screw the sanding lock nut onto the spindle. To tighten the sanding lock nut, press the shaft lock firmly so that the spindle cannot revolve, then use the lock nut wrench and securely tighten clockwise. (Fig. 12) To remove the disc, follow the installation procedure in reverse.

Installing or removing dust cover attachment (optional accessory)

⚠ WARNING:

- Always be sure that the tool is switched off and unplugged before installing or removing the dust cover attachment. Failure to do so causes damage to the tool or a personal injury.

There are three types of dust cover attachment and each is used in one of different positions. (Fig. 13, 14 & 15)

Place the dust cover attachment so that the side of the dust cover attachment with the marking (A, B or C) faces towards the tool head. Snap the pins of the dust cover attachment in the vent. (Fig. 16)

Dust cover attachment can be removed by hand.

NOTE:

- Clean out the dust cover attachment when it is clogged with dust or foreign matters. Continuing operation with a clogged dust cover attachment will damage the tool.

OPERATION

⚠ WARNING:

- It should never be necessary to force the tool. The weight of the tool applies adequate pressure. Forcing and excessive pressure could cause dangerous wheel breakage.
- ALWAYS replace wheel if tool is dropped while grinding.
- NEVER bang or hit grinding disc or wheel onto work.
- Avoid bouncing and snagging the wheel, especially when working corners, sharp edges etc. This can cause loss of control and kickback.
- NEVER use tool with wood cutting blades and other saw blades. Such blades when used on a grinder frequently kick and cause loss of control leading to personal injury.

⚠ CAUTION:

- Never switch on the tool when it is in contact with the workpiece, it may cause an injury to operator.
- Always wear safety goggles or a face shield during operation.
- After operation, always switch off the tool and wait until the wheel has come to a complete stop before putting the tool down.
- Always hold the tool firmly with one hand on housing and the other on the side handle.

Grinding and sanding operation (Fig. 17)

Turn the tool on and then apply the wheel or disc to the workpiece.

In general, keep the edge of the wheel or disc at an angle of about 15° to the workpiece surface.

During the break-in period with a new wheel, do not work the grinder in the B direction or it will cut into the workpiece. Once the edge of the wheel has been rounded off by use, the wheel may be worked in both A and B direction.

Operation with abrasive cut-off/diamond wheel (optional accessory) (Fig. 18)

As for the installation, follow the instructions for depressed center wheel.

The direction for mounting the lock nut and the inner flange varies by wheel thickness.

Refer to the table below. (Fig. 19)

⚠ WARNING:

- When using an abrasive cut-off/diamond wheel, be sure to use only the special wheel guard designed for use with cut-off wheels. (In some European countries, when using a diamond wheel, the ordinary guard can be used. Follow the regulations in your country.)
- NEVER use cut-off wheel for side grinding.
- Do not "jam" the wheel or apply excessive pressure. Do not attempt to make an excessive depth of cut. Overstressing the wheel increases the loading and susceptibility to twisting or binding of the wheel in the cut and the possibility of kickback, wheel breakage and overheating of the motor may occur.
- Do not start the cutting operation in the workpiece. Let the wheel reach full speed and carefully enter into the cut moving the tool forward over the workpiece surface. The wheel may bind, walk up or kickback if the power tool is started in the workpiece.
- During cutting operations, never change the angle of the wheel. Placing side pressure on the cut-off wheel (as in grinding) will cause the wheel to crack and break, causing serious personal injury.
- A diamond wheel shall be operated perpendicular to the material being cut.

Operation with wire cup brush (optional accessory)

⚠ CAUTION:

- Check operation of brush by running tool with no load, insuring that no one is in front of or in line with brush.
- Do not use brush that is damaged, or which is out of balance. Use of damaged brush could increase potential for injury from contact with broken brush wires.

Unplug tool and place it upside down allowing easy access to spindle. Remove any accessories on spindle. Thread wire cup brush onto spindle and tighten with supplied wrench. (Fig. 20)

When using brush, avoid applying too much pressure which causes over bending of wires, leading to premature breakage.

Operation with wire wheel brush (optional accessory)

CAUTION:

- Check operation of wire wheel brush by running tool with no load, insuring that no one is in front of or in line with the wire wheel brush.
- Do not use wire wheel brush that is damaged, or which is out of balance. Use of damaged wire wheel brush could increase potential for injury from contact with broken wires.
- ALWAYS use guard with wire wheel brushes, assuring diameter of wheel fits inside guard. Wheel can shatter during use and guard helps to reduce chances of personal injury.

Unplug tool and place it upside down allowing easy access to spindle. Remove any accessories on spindle. Thread wire wheel brush onto spindle and tighten with the wrenches. (Fig. 21)

When using wire wheel brush, avoid applying too much pressure which causes over bending of wires, leading to premature breakage.

MAINTENANCE

CAUTION:

- Always be sure that the tool is switched off and unplugged before attempting to perform inspection or maintenance.
- Never use gasoline, benzine, thinner, alcohol or the like. Discoloration, deformation or cracks may result.

The tool and its air vents have to be kept clean. Regularly clean the tool's air vents or whenever the vents start to become obstructed. (Fig. 22)

To maintain product SAFETY and RELIABILITY, repairs, carbon brush inspection and replacement, any other maintenance or adjustment should be performed by Makita Authorized Service Centers, always using Makita replacement parts.

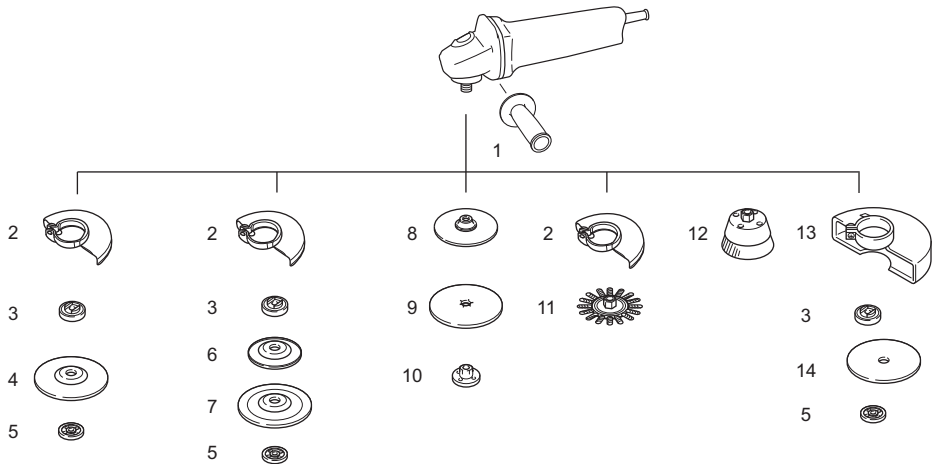
OPTIONAL ACCESSORIES

CAUTION:

- These accessories or attachments are recommended for use with your Makita tool specified in this manual. The use of any other accessories or attachments might present a risk of injury to persons. Only use accessory or attachment for its stated purpose.

If you need any assistance for more details regarding these accessories, ask your local Makita Service Center.

- Dust cover attachment



	115 mm (4-1/2") model	125 mm (5") model
1	Grip 36	
2	Wheel guard (for grinding wheel)	
3	Inner flange Super flange	Inner flange Super flange
4	Depressed center wheel/Flap disc	
5	Lock nut	Lock nut
6	Plastic pad	Plastic pad
7	Flex wheel	Flex wheel
8	Rubber pad 100	Rubber pad 115
9	Abrasive disc	
10	Sanding lock nut	
11	Wire wheel brush	
12	Wire cup brush	
13	Wheel guard (for cut-off wheel)*	
14	Abrasive cut-off wheel/Diamond wheel	
-	Lock nut wrench	

Note:

* In some European countries, when using a diamond wheel, the ordinary guard can be used instead of the special guard covering the both side of the wheel. Follow the regulations in your country.

015258

NOTE:

Some items in the list may be included in the tool package as standard accessories. They may differ from country to country.

Noise ENG905-1
The typical A-weighted noise level determined according to EN60745:

Sound pressure level (L_{pA}): 84 dB (A)

Sound power level (L_{WA}): 95 dB (A)

Uncertainty (K): 3 dB (A)

Wear ear protection.

Vibration

ENG900-1

The vibration total value (tri-axial vector sum) determined according to EN60745:

Model 9564HR

Work mode: surface grinding with normal side grip

Vibration emission ($a_{h,AG}$): 8.5 m/s²

Uncertainty (K): 1.5 m/s²

Work mode: surface grinding with anti vibration side grip

Vibration emission ($a_{h,AG}$): 8.0 m/s²

Uncertainty (K): 1.5 m/s²

Work mode: disc sanding

Vibration emission ($a_{h,DS}$): 2.5 m/s² or less

Uncertainty (K): 1.5 m/s²

Model 9565HR

Work mode: surface grinding with normal side grip

Vibration emission ($a_{h,AG}$): 9.0 m/s²

Uncertainty (K): 1.5 m/s²

Work mode: surface grinding with anti vibration side grip

Vibration emission ($a_{h,AG}$): 7.5 m/s²

Uncertainty (K): 1.5 m/s²

Work mode: disc sanding

Vibration emission ($a_{h,DS}$): 2.5 m/s² or less

Uncertainty (K): 1.5 m/s²

ENG902-1

- The declared vibration emission value has been measured in accordance with the standard test method and may be used for comparing one tool with another.
- The declared vibration emission value may also be used in a preliminary assessment of exposure.
- The declared vibration emission value is used for main applications of the power tool. However if the power tool is used for other applications, the vibration emission value may be different.

**WARNING:**

- The vibration emission during actual use of the power tool can differ from the declared emission value depending on the ways in which the tool is used.
- Be sure to identify safety measures to protect the operator that are based on an estimation of exposure in the actual conditions of use (taking account of all parts of the operating cycle such as the times when the tool is switched off and when it is running idle in addition to the trigger time).

For European countries only

ENH101-18

EC Declaration of Conformity

Makita declares that the following Machine(s):

Designation of Machine:

Angle Grinder

Model No./Type: 9564HR, 9565HR

Conforms to the following European Directives:

2006/42/EC

They are manufactured in accordance with the following standard or standardized documents:

EN60745

The technical file in accordance with 2006/42/EC is available from:

Makita, Jan-Baptist Vinkstraat 2, 3070, Belgium

28. 5. 2014

Yasushi Fukaya
Director

Makita, Jan-Baptist Vinkstraat 2, 3070, Belgium

FRANÇAIS (Instructions d'origine)

Descriptif

- | | | |
|-----------------------------|--|---|
| 1. Blocage de l'arbre | 13. Patin de renfort plastique | 23. Carter de meule pour meule à tronçonner/meule diamantée |
| 2. Interrupteur à glissière | 14. Contre-écrou de ponçage | 24. Meule à tronçonner |
| 3. Voyant | 15. Disque abrasif | 25. Meule diamantée |
| 4. Carter de meule | 16. Plateau en caoutchouc | 26. Épaisseur : moins de 4 mm (5/32") |
| 5. Boîtier d'engrenage | 17. Repère A | 27. Épaisseur : 4 mm (5/32") au moins |
| 6. Vis | 18. Repère B | 28. Brosse coupe métallique |
| 7. Levier | 19. Repère C | 29. Brosse roue métallique |
| 8. Contre-écrou | 20. Broche | 30. Sortie d'air |
| 9. Meule à moyeu déporté | 21. Aération | 31. Entrée d'air |
| 10. Flaque intérieur | 22. Meule à tronçonner/meule diamantée | |
| 11. Clé à contre-écrou | | |
| 12. Meule à ébarber | | |

SPÉCIFICATIONS

Modèle	9564HR	9565HR
Diamètre de la meule	115 mm (4-1/2")	125 mm (5")
Épaisseur maximale de la meule	6,4 mm	
Filetage de l'axe	M14 ou 5/8" (selon le pays)	
Vitesse nominale (n)/Vitesse à vide (n ₀)	12 000 min ⁻¹	
Longueur totale	299 mm	
Poids net	2,3 kg	2,4 kg
Niveau de sécurité	□/II	

- Étant donné l'évolution constante de notre programme de recherche et de développement, les spécifications contenues dans ce manuel sont sujettes à des modifications sans préavis.
- Les spécifications peuvent varier suivant les pays.
- Poids conforme à la procédure EPTA 01/2003

Utilisations ENE048-1

L'outil est conçu pour le meulage, le ponçage et la coupe des métaux et pierres sans utilisation d'eau.

Alimentation ENF002-2

L'outil ne doit être raccordé qu'à une alimentation de la même tension que celle qui figure sur la plaque signalétique, et il ne peut fonctionner que sur un courant secteur monophasé. Réalisé avec une double isolation, il peut de ce fait être alimenté sans mise à la terre.

Consignes de sécurité générales des outils électriques GEA010-1

⚠ AVERTISSEMENT Veuillez lire toutes les consignes de sécurité et les instructions. Il y a un risque de choc électrique, d'incendie et/ou de blessure grave si les consignes et les instructions ne sont pas toutes respectées.

Conservez toutes les consignes et instructions pour référence ultérieure.

AVERTISSEMENTS DE SÉCURITÉ POUR LA MEULEUSE GEB033-7

Consignes de sécurité pour des opérations de meulage, ponçage, brossage avec brosse métallique ou tronçonnage :

1. **Cet outil électrique est prévu pour fonctionner comme un outil de meulage, ponçage, tronçonnage ou brossage avec une brosse métallique. Lisez tous les avertissements concernant la sécurité, les instructions, les illustrations et les caractéristiques fournis avec cet outil électrique.** Il y a risque d'électrocution, d'incendie et/ou de blessures graves si les instructions énumérées ci-dessous ne sont pas respectées.
2. **Les opérations comme le polissage sont déconseillées avec cet outil électrique.** Les opérations pour lesquelles l'outil électrique n'a pas été conçu peuvent générer un danger et occasionner des blessures.
3. **N'utilisez pas des accessoires qui ne sont pas spécifiquement conçus et recommandés par le fabricant d'outils.** Le simple fait que l'accessoire puisse être fixé à votre outil électrique ne signifie pas que le fonctionnement sera sécurisé.
4. **La vitesse nominale de l'accessoire doit être au moins égale à la vitesse maximale indiquée sur l'outil électrique.** Des accessoires fonctionnant plus rapidement que leur vitesse nominale risquent de se casser et de voler en éclats.

5. **Le diamètre externe et l'épaisseur de votre accessoire doivent correspondre à la puissance nominale de votre outil électrique.** Des accessoires aux dimensions inappropriées ne peuvent pas être protégés ou contrôlés correctement.
 6. **Le montage fileté d'accessoires doit correspondre au filetage de la broche de la meuleuse. Pour les accessoires montés à l'aide de flasques, l'orifice de tonnelle de l'accessoire doit correspondre au diamètre du flasque.** Les accessoires qui ne correspondent pas au matériel de montage de l'outil électrique seront déséquilibrés et subiront des vibrations excessives, susceptibles d'occasionner une perte de contrôle.
 7. **N'utilisez pas d'accessoire endommagé. Avant chaque utilisation, vérifiez que les accessoires, comme les meules à tronçonner, ne comportent pas de copeaux et de craquellements, que les patins de renfort ne sont pas craquelés, déchirés ou excessivement usés et que les fils de la brosse métallique ne sont pas lâches ou craqués. En cas de chute de l'outil électrique ou de l'accessoire, vérifiez qu'il n'est pas abîmé ou installez un accessoire en bon état. Après avoir vérifié et installé un accessoire, positionnez-vous ainsi que les spectateurs à distance du plan de rotation de l'accessoire et faites fonctionner l'outil électrique à la vitesse maximale à vide pendant une minute.** Normalement, tout accessoire endommagé se brisera au cours de ce temps d'essai.
 8. **Portez un équipement de protection corporelle. En fonction de l'application, utilisez un écran facial ou bien un masque ou des lunettes de protection. Si nécessaire, portez un masque anti-poussières, des protège-tympans, des gants et un tablier d'atelier capable d'arrêter les petits fragments abrasifs ou des morceaux de la pièce à travailler.** La protection pour les yeux doit pouvoir stopper les projections de débris générées par diverses opérations. Le masque anti-poussières ou respirateur doit pouvoir filtrer les particules générées par votre opération. Une exposition prolongée à un bruit de haute intensité peut entraîner une perte auditive.
 9. **Gardez les spectateurs à une distance de sécurité de la zone de travail. Quiconque pénètre dans la zone de travail doit porter un équipement de protection corporelle.** Des fragments de pièces à travailler ou d'un accessoire cassé peuvent être projetés hors de la zone de travail immédiate et entraîner des blessures.
 10. **Ne tenez l'outil électrique que par ses surfaces de poigne isolées lorsque vous effectuez une opération au cours de laquelle l'accessoire de découpe peut entrer en contact avec des fils dissimulés ou avec le cordon de l'outil.** Il est possible que le contact avec un fil sous tension mette les parties métalliques exposées de l'outil sous tension, risquant ainsi de provoquer un choc électrique chez l'utilisateur.
 11. **Positionnez le cordon à l'écart de l'accessoire rotatif.** En cas de perte de contrôle, le cordon risque d'être coupé ou accroché et l'accessoire rotatif risque d'attraper votre main ou votre bras.
 12. **Ne posez jamais l'outil électrique à terre tant qu'il ne s'est pas complètement arrêté.** L'accessoire rotatif peut accrocher la surface et vous risquez de perdre le contrôle de l'outil électrique.
 13. **Ne faites pas tourner l'outil électrique si vous le transportez à côté de vous.** Un contact accidentel avec l'accessoire rotatif pourrait accrocher vos vêtements et attirer l'accessoire vers votre corps.
 14. **Nettoyez régulièrement les aérations de l'outil électrique.** Le ventilateur du moteur tirera la poussière à l'intérieur du logement et une accumulation excessive de poudre métallique peut entraîner des chocs électriques.
 15. **Ne faites pas fonctionner l'outil électrique à proximité de matériaux inflammables.** Les étincelles risquent d'enflammer ces matériaux.
 16. **N'utilisez pas d'accessoires qui nécessitent des liquides de refroidissement.** L'utilisation d'eau ou de liquides de refroidissement peut entraîner une électrocution ou un choc électrique.
- Rebond et avertissements afférents**
- Le rebond est une réaction soudaine suite à un pincement ou accrochage d'une roue en rotation, d'un patin de renfort, d'une brosse ou d'un autre accessoire. Un pincement ou un accrochage peut entraîner le calage rapide de l'accessoire rotatif, ce qui peut alors forcer l'outil électrique hors de contrôle à tourner dans la direction opposée au sens de rotation de l'accessoire, jusqu'à ce qu'ils se bloquent.
- Par exemple, si une meule est accrochée ou pincée par la pièce à travailler, le rebord de la meule qui pénètre dans le point de pincement peut creuser dans la surface du matériau, entraînant ainsi la sortie de la meule. La meule risque de sauter en direction de l'opérateur ou dans la direction opposée, en fonction du sens de rotation de la meule au niveau du point de pincement. Les meules peuvent également se casser dans certaines conditions. Le rebond est dû à une mauvaise utilisation de l'outil et/ou à des procédures ou conditions de travail inappropriées. Il peut être évité en prenant les mesures appropriées, telles que celles indiquées ci-dessous.
- a) **Maintenez une prise ferme sur l'outil électrique et positionnez votre corps et vos bras de façon à pouvoir résister aux forces du rebond. Utilisez toujours une poignée auxiliaire, le cas échéant, pour contrôler au maximum les rebonds ou la réaction du couple au démarrage.** L'opérateur peut contrôler les réactions du couple ou les forces du rebond s'il prend les précautions nécessaires.
 - b) **Ne placez jamais la main à proximité de l'accessoire rotatif.** L'accessoire risque de rebondir sur votre main.
 - c) **Ne positionnez pas votre corps dans la zone où l'outil électrique se déplacera en cas de rebond.** Le rebond propulsera l'outil dans la direction opposée au mouvement de la meule, au point d'accrochage.
 - d) **Soyez particulièrement prudent lorsque vous travaillez dans des recoins, sur des rebords tranchants, etc. Evitez de faire rebondir ou d'accrocher l'accessoire.** Les recoins, les rebords tranchants ou les rebonds ont tendance à accrocher l'accessoire rotatif et à provoquer une perte de contrôle ou un retour de choc.

e) **Ne fixez pas une lame de sculpteur à chaîne coupante ou une lame de scie dentée.** De telles lames peuvent créer de fréquents rebonds et pertes de contrôle.

Consignes de sécurité spécifiques aux opérations de meulage et de tronçonnage :

a) **N'utilisez que les types de meules qui sont recommandés pour votre outil électrique et la protection spécifique conçue pour la meule sélectionnée.** Les meules pour lesquelles l'outil électrique n'a pas été conçu ne peuvent pas être protégées de manière adéquate et ne sont pas sûres.

b) **La surface de meulage des meules à moyen déporté doit être installée sous le plateau de la lèvre du carter.** Une meule mal montée qui est projetée à travers le plateau de la lèvre du carter ne peut pas être correctement protégée.

c) **Pour une sécurité maximale, le carter doit être solidement fixé et positionné à l'outil électrique, de manière à exposer la meule au minimum en direction de l'opérateur.** Le carter permet de protéger l'opérateur des fragments de meule brisés, du contact accidentel avec la meule et des étincelles susceptibles d'enflammer les vêtements.

d) **Les meules doivent être utilisées uniquement pour les applications recommandées. Par exemple : ne pas meuler avec la face latérale de la meule à tronçonner.** Les meules à tronçonner sont conçues pour un meulage périphérique, les forces latérales appliquées à ces meules peuvent les briser.

e) **Utilisez toujours des flasques de meule en bon état dont la taille et la forme sont adaptées à la meule que vous avez sélectionnée.** Des flasques de meule appropriés soutiennent la meule, réduisant ainsi les risques de cassure de la meule. Les flasques pour les meules à tronçonner peuvent être différents des flasques de meule.

f) **N'utilisez pas de meules usées issues d'outils électriques plus grands.** Les meules conçues pour les outils électriques plus grands ne conviennent pas à la vitesse plus élevée d'un outil plus petit et risquent d'exploser.

Consignes de sécurité supplémentaires spécifiques aux opérations de tronçonnage :

a) **Ne bloquez pas la meule à tronçonner et n'appliquez pas de pression excessive. Ne tentez pas d'effectuer une découpe d'une profondeur excessive.** Une surcharge de la meule augmente la charge et la susceptibilité aux torsions ou coincements de la meule lors de la découpe et la possibilité d'un rebond ou le risque de cassure de la meule.

b) **Ne positionnez pas votre corps en ligne avec et derrière la meule rotative.** Lorsque la meule en fonctionnement s'écarte de votre corps, le rebond éventuel peut propulser la meule en rotation et l'outil électrique directement sur vous.

c) **Lorsque la meule se coince ou lors de l'interruption d'une découpe, quelle qu'en soit la raison, éteignez l'outil électrique et maintenez-le immobile jusqu'à ce que la meule s'arrête complètement. Ne tentez jamais de retirer la meule à tronçonner de la coupe quand la meule est en mouvement, sans quoi un rebond risque de se**

produire. Identifiez la cause du coincement de la lame et prenez les mesures correctives pour éliminer ladite cause.

d) **Ne reprenez pas l'opération de découpe dans la pièce à travailler. Laissez la meule atteindre sa vitesse pleine et rentrez à nouveau dans la coupe avec prudence.** La meule peut se coincer, reculer ou rebondir si l'outil électrique est redémarré dans la pièce à travailler.

e) **Soutenez les panneaux ou une pièce à travailler de taille excessive pour minimiser les risques de pinçement et de rebond de la meule.** Les pièces à travailler de grande dimension ont tendance à s'affaisser sous leur propre poids. Des dispositifs de soutien doivent être installés sous la pièce à travailler, à proximité de la ligne de coupe et des rebords de la pièce à travailler, de chaque côté de la meule.

f) **Soyez extrêmement prudent lorsque vous effectuez une coupe en plongée dans un mur ou toute autre surface derrière laquelle peuvent se trouver des objets non visibles.** La meule en saillie peut couper des conduites de gaz ou d'eau, des fils électriques ou des objets qui peuvent provoquer un rebond.

Consignes de sécurité particulières aux opérations de ponçage :

a) **N'utilisez pas de disque de ponçage aux dimensions excessives. Suivez les conseils des fabricants lors du choix du papier de verre.** Un papier de verre trop grand qui dépasse du patin de ponçage présente des risques de laceration et peut entraîner un accrochage ou un déchirement du disque ou bien un rebond.

Consignes de sécurité spécifiques aux opérations à la brosse métallique :

a) **Ayez conscience que la brosse rejette des fils métalliques, même lors d'un fonctionnement normal. Ne surchargez pas les fils en appliquant une charge excessive sur la brosse.** Les fils métalliques peuvent facilement transpercer des vêtements légers et/ou la peau.

b) **S'il est conseillé d'utiliser une protection pour la brosse métallique, ne laissez pas la brosse métallique à touret ou la brosse interférer avec la protection.** Le diamètre de la brosse métallique à touret ou de la brosse peut s'agrandir en raison de la charge de travail et des forces centrifuges.

Autres avertissements de sécurité :

- Lors de l'utilisation de meules à moyen déporté, assurez-vous d'utiliser exclusivement des meules renforcées par de la fibre de verre.**
- N'UTILISEZ JAMAIS de meule pour couper la pierre avec cette meuleuse.** Cette meuleuse n'est pas destinée à ce type de meule et l'utilisation de ce genre de produit peut entraîner de graves blessures corporelles.
- Prenez garde d'endommager l'axe, le flasque (tout particulièrement la surface par laquelle il s'installe) ou le contre-écrou.** La meule risque de casser si ces pièces sont endommagées.
- Assurez-vous que la meule n'entre pas en contact avec la pièce à travailler avant de mettre l'outil sous tension.**

21. Avant d'utiliser l'outil sur la pièce elle-même, laissez-le tourner un instant. Soyez attentif à toute vibration ou sautellement pouvant indiquer que la meule n'est pas bien installée ou qu'elle est mal équilibrée.
22. Utilisez la face spécifiée de la meule pour procéder au meulage.
23. N'abandonnez pas l'outil alors qu'il tourne. Ne faites fonctionner l'outil qu'une fois que vous l'avez bien en main.
24. Ne touchez jamais la pièce juste après l'opération ; elle peut être extrêmement chaude et vous risquez de vous brûler.
25. Pour installer et utiliser correctement les meules, veuillez suivre les instructions du fabricant. Manipulez les meules avec soin et rangez-les en lieu sûr.
26. N'utilisez aucun raccord de réduction ou adaptateur séparé pour adapter une meule présentant un grand orifice.
27. Utilisez exclusivement les flasques spécifiés pour cet outil.
28. Dans le cas des outils conçus pour l'utilisation avec une meule à trou fileté, assurez-vous que la longueur du filetage de la meule convient à la longueur de l'axe.
29. Assurez-vous que la pièce à travailler est correctement soutenue.
30. Gardez à l'esprit que la meule continue de tourner même une fois le contact coupé sur l'outil.
31. Si le site de travail est extrêmement chaud et humide ou s'il y a beaucoup de poussières conductrices dans l'air, utilisez un coupe-circuit (30 mA) pour assurer votre sécurité.
32. N'utilisez l'outil sur aucun matériau contenant de l'amiante.
33. Lorsque vous utilisez une meule à tronçonner, travaillez toujours avec le carter de collecte des poussières exigé par la réglementation locale.
34. Aucune pression latérale ne doit être appliquée sur le disque pendant la coupe.

CONSERVEZ CES INSTRUCTIONS.

AVERTISSEMENT :

NE vous laissez PAS tromper (au fil d'une utilisation répétée) par un sentiment d'aisance et de familiarité avec le produit, en négligeant le respect rigoureux des consignes de sécurité qui accompagnent l'outil. Une UTILISATION INCORRECTE de l'outil ou un non-respect des consignes de sécurité indiquées dans ce manuel d'instructions peuvent causer des blessures graves.

DESCRIPTION DU FONCTIONNEMENT

ATTENTION :

- Assurez-vous toujours que l'outil est éteint et débranché avant de le régler ou vérifier son fonctionnement.

Blocage de l'arbre

ATTENTION :

- N'activez jamais le blocage de l'arbre alors que l'axe bouge. Vous pourriez endommager l'outil. (Fig. 1)
- Appuyez sur le blocage de l'arbre pour empêcher l'axe de tourner lors de la pose ou la dépose des accessoires.

Interrupteurs

ATTENTION :

- Avant de brancher l'outil, vérifiez toujours que l'interrupteur à glissière fonctionne correctement et revient en position « OFF » (ARRÊT) lorsque vous enfoncez sa partie arrière.
- L'interrupteur peut être verrouillé en position « ON » (MARCHE) pour le confort de l'opérateur pendant un usage prolongé. Soyez vigilant lorsque vous verrouillez l'outil en position de « ON » (MARCHE) et gardez-le bien en main.

Pour démarrer l'outil, faites glisser l'interrupteur à glissière en position « I » (MARCHE) en appuyant sur sa partie arrière. Pour une utilisation continue, appuyez sur la partie avant de l'interrupteur à glissière pour le verrouiller. (Fig. 2)

Pour arrêter l'outil, appuyez sur la partie arrière de l'interrupteur à glissière, puis faites glisser ce dernier en position « O » (ARRÊT).

Voyant (Fig. 3)

Le voyant vert de mise sous tension s'allume lorsque l'outil est branché. Si le voyant ne s'allume pas, il est possible que le cordon d'alimentation ou le contrôleur soit défectueux. Si le voyant est allumé alors que l'outil ne démarre pas même s'il est sous tension, il est possible que les charbons soient usés ou que le contrôleur, le moteur ou l'interrupteur MARCHE/ARRÊT soit défectueux.

Redémarrage involontaire

L'outil ne démarre pas lorsque l'interrupteur est verrouillé, même si l'outil est branché.

À ce stade, le voyant rouge clignote et indique que le dispositif de sécurité empêchant le redémarrage involontaire est activé.

Pour désactiver le dispositif de sécurité empêchant le redémarrage involontaire, basculez à nouveau l'interrupteur à glissière en position « O » (ARRÊT).

Fonction de démarrage graduel

La fonction de démarrage graduel permet de supprimer le choc du démarrage.

MONTAGE

ATTENTION :

- Avant d'effectuer toute intervention sur l'outil, assurez-vous toujours qu'il est hors tension et débranché.

Installation de la poignée latérale (manche)

⚠ ATTENTION :

- Avant d'utiliser l'outil, assurez-vous toujours que la poignée latérale est installée de façon sûre.

Vissez la poignée latérale à fond en position indiquée sur la figure. (Fig. 4)

Pose ou dépose du carter de meule (pour meule à moyeu déporté, disque à lamelles, meule à ébarber, brosse roue métallique/meule à tronçonner, meule diamantée)

⚠ AVERTISSEMENT :

- Lors de l'utilisation d'une meule à moyeu déporté, d'un disque à lamelles, d'une meule à ébarber ou d'une brosse roue métallique, vous devez installer le carter de meule sur l'outil, de sorte que la partie fermée du carter soit toujours orientée vers l'opérateur.
- Lorsque vous utilisez une meule à tronçonner/meule diamantée, veillez à utiliser uniquement le carter de meule spécifique, conçu pour être utilisé avec des meules à tronçonner. (Dans certains pays d'Europe, en cas d'utilisation d'une meule diamantée, un carter classique peut être utilisé. Suivez les réglementations de votre pays.)

Pour les outils équipés d'un carter de meule de type levier à bride (Fig. 5)

Desserrez la vis, puis tirez le levier dans le sens de la flèche. Montez le carter de meule en alignant les parties saillantes de la bande du carter de meule sur les entailles du boîtier d'engrenage. Faites ensuite pivoter le carter de meule selon un angle qui permette de protéger l'utilisateur selon le travail à exécuter.

Tirez sur le levier dans le sens de la flèche. Fixez ensuite le carter de meule en serrant la vis. Veillez à serrer la vis à fond. Vous pouvez ajuster l'angle de réglage du carter de meule à l'aide du levier. (Fig. 6)

Pour retirer le carter de meule, suivez la procédure d'installation en sens inverse.

Pour les outils équipés d'un carter de meule de type à vis de verrouillage (Fig. 7 et 8)

Montez le carter de meule en alignant les parties saillantes de la bande du carter de meule sur les entailles du boîtier d'engrenage. Faites ensuite pivoter le carter de meule selon un angle qui permette de protéger l'utilisateur selon le travail à exécuter. Veillez à serrer la vis à fond. Pour retirer le carter de meule, suivez la procédure d'installation en sens inverse.

Pose ou dépose d'une meule à moyeu déporté ou d'un disque à lamelles (accessoire en option)

⚠ AVERTISSEMENT :

- Lors de l'utilisation d'une meule à moyeu déporté ou d'un disque à lamelles, vous devez installer le carter de meule sur l'outil, de sorte que la partie fermée du carter soit toujours orientée vers l'opérateur.

Montez le flasque intérieur sur l'axe.

Veillez à installer la partie dentée du flasque intérieur sur la partie droite en bas de l'axe.

Installez la meule/le disque sur le flasque intérieur et vissez le contre-écrou sur l'axe. (Fig. 9)

Pour serrer le contre-écrou, appuyez à fond sur le blocage de l'arbre pour empêcher l'axe de tourner, puis utilisez la clé à contre-écrou pour serrer fermement dans le sens des aiguilles d'une montre. (Fig. 10)

Pour retirer la meule, suivez la procédure d'installation en sens inverse.

Super flasque (accessoire en option)

Les modèles dont la référence comporte la lettre F sont équipés en série d'un super flasque. Le desserrage du contre-écrou nécessite trois fois moins d'effort que le type classique.

Pose ou dépose d'une meule à ébarber (accessoire en option)

⚠ AVERTISSEMENT :

- Utilisez toujours le carter de meule fourni lorsque la meule à ébarber est installée sur l'outil. Comme la meule peut se rompre pendant l'utilisation, le carter de meule réduit les risques de blessure.

Respectez les instructions relatives à la meule à moyeu déporté et utilisez le patin de renfort plastique sur la meule. Reportez-vous à la page décrivant l'ordre de montage des accessoires dans le présent manuel.

(Fig. 11)

Pose ou dépose d'un disque abrasif (accessoire en option)

REMARQUE :

- Utilisez les accessoires de ponçage spécifiés dans le présent manuel. Ceux-ci doivent être achetés séparément.

Montez le plateau en caoutchouc sur l'axe. Installez le disque sur le plateau en caoutchouc et vissez le contre-écrou de ponçage sur l'axe. Pour serrer le contre-écrou, appuyez fermement sur le blocage de l'arbre pour empêcher l'axe de tourner, puis utilisez la clé à contre-écrou pour serrer fermement dans le sens des aiguilles d'une montre. (Fig. 12)

Pour retirer le disque, suivez la procédure d'installation en sens inverse.

Pose ou dépose du capuchon anti-poussière (accessoire en option)

⚠ AVERTISSEMENT :

- Assurez-vous toujours que l'outil est hors tension et débranché avant d'installer ou de retirer le capuchon anti-poussière. Le non respect de cette consigne peut entraîner l'endommagement de l'outil ou des blessures corporelles.

Il existe trois types de capuchon anti-poussière et chacun d'eux est utilisé dans une position différente. (Fig. 13, 14 et 15)

Placez le capuchon anti-poussière de sorte que le côté comportant le repère (A, B ou C) soit orienté vers la tête de l'outil. Insérez les broches du capuchon anti-poussière dans l'aération. (Fig. 16)

Vous pouvez retirer le capuchon anti-poussière manuellement.

REMARQUE :

- Nettoyez le capuchon anti-poussière lorsqu'il est obstrué par de la poussière ou des corps étrangers. Le fonctionnement continu de l'outil lorsque le capuchon anti-poussière est obstrué risque d'endommager l'outil.

FONCTIONNEMENT

⚠ AVERTISSEMENT :

- Il n'est jamais nécessaire de forcer l'outil. Le poids de l'outil lui-même suffit à assurer une pression adéquate. En forçant l'outil ou en appliquant une pression excessive dessus, vous courez le risque dangereux de casser la meule.
- Remplacez TOUJOURS la meule si vous laissez tomber l'outil pendant le meulage.
- NE frappez JAMAIS le disque de meulage ou la meule contre la pièce à travailler.
- Évitez de laisser la meule sautiller ou accrocher, tout spécialement lorsque vous travaillez dans les coins, sur les bords tranchants, etc. Cela peut causer une perte de contrôle et un choc en retour.
- N'utilisez JAMAIS cet outil avec des lames à bois et autres lames de scie. Ce type de lame saute fréquemment lorsqu'il est utilisé sur une meuleuse et risque d'entraîner une perte de contrôle pouvant causer des blessures.

⚠ ATTENTION :

- Pour éviter de vous blesser, ne mettez jamais l'outil en marche alors qu'il se trouve en contact avec la pièce à travailler.
- Pendant l'utilisation, portez toujours des lunettes de sécurité ou un masque de protection.
- Après l'utilisation, mettez toujours l'outil hors tension et attendez l'arrêt complet de la meule avant de reposer l'outil.
- Tenez toujours l'outil fermement en posant une main sur le carter et l'autre main sur le manche latéral.

Meulage et ponçage (Fig. 17)

Mettez l'outil en marche puis posez la meule ou le disque sur la pièce à travailler.

En général, vous devez maintenir le bord de la meule ou du disque selon un angle d'environ 15° par rapport à la surface de la pièce à travailler.

Pendant la période de rodage d'une meule neuve, ne faites pas avancer la meuleuse dans le sens B, sinon elle risque de couper la pièce à travailler. Une fois le tranchant de la meule émoussé par son utilisation, la meule peut être utilisée dans les sens A et B.

Fonctionnement avec une meule à tronçonner/meule diamantée (accessoire en option) (Fig. 18)

Comme pour l'installation, suivez les instructions indiquées pour la meule à moyeu déporté.

Le sens d'installation du contre-écrou et du flasque intérieur varie selon l'épaisseur de la meule.

Reportez-vous au tableau suivant. (Fig. 19)

⚠ AVERTISSEMENT :

- Lorsque vous utilisez une meule à tronçonner/meule diamantée, veillez à utiliser uniquement le carter de meule spécifique, conçu pour être utilisé avec des meules à tronçonner. (Dans certains pays d'Europe, en cas d'utilisation d'une meule diamantée, un carter classique peut être utilisé. Suivez les réglementations de votre pays.)
- N'utilisez JAMAIS de meule à tronçonner pour le meulage latéral.
- Ne bloquez pas la meule et n'appliquez pas de pression excessive. Ne tentez pas d'effectuer une découpe d'une profondeur excessive. Une surcharge de la meule augmente la charge et la susceptibilité aux torsions ou coincements de la meule lors de la découpe et la possibilité d'un choc en retour, d'une cassure de la meule et d'une surchauffe du moteur.
- Ne commencez pas l'opération de découpe dans la pièce à travailler. Laissez la meule atteindre sa vitesse pleine et entrez prudemment dans la découpe en déplaçant l'outil vers l'avant sur la surface de la pièce à travailler. La meule peut se coincer, retourner en arrière ou rebondir si l'outil électrique est démarré dans la pièce à travailler.
- Au cours d'opérations de découpe, ne changez jamais l'angle de la meule. Si vous appliquez une pression latérale sur la meule à tronçonner (par exemple, lors du meulage), la meule se fêlera et se cassera, entraînant des blessures graves.
- Les meules diamantées doivent être utilisées perpendiculairement au matériau à découper.

Fonctionnement avec une brosse coupe métallique (accessoire en option)

⚠ ATTENTION :

- Vérifiez le fonctionnement de la brosse en actionnant l'outil à vide, après vous être assuré que personne ne se trouve face à ou dans le prolongement de la brosse.
- N'utilisez pas de brosse endommagée ou déséquilibrée. L'utilisation d'une brosse endommagée est susceptible d'augmenter les risques de blessure par contact avec des fils brisés.

Débranchez l'outil et placez-le à l'envers en facilitant l'accès à l'axe. Retirez tous les accessoires montés sur l'axe. Placez la brosse coupe métallique sur l'axe et serrez-la avec la clé fournie. (Fig. 20)

Lors de l'utilisation de la brosse, évitez d'appliquer une pression trop importante provoquant une courbure excessive des fils et entraînant une rupture prématurée.

Fonctionnement avec une brosse roue métallique (accessoire en option)

⚠ ATTENTION :

- Vérifiez le fonctionnement de la brosse roue métallique en actionnant l'outil à vide, après vous être assuré que personne ne se trouve face à ou dans le prolongement de la brosse roue métallique.
- N'utilisez pas de brosse roue métallique endommagée ou déséquilibrée. L'utilisation d'une brosse roue métallique endommagée est susceptible d'augmenter les risques de blessure par contact avec des fils brisés.
- Utilisez TOUJOURS le carter de meule avec des brosses roue métalliques, en vous assurant que le

diamètre de la meule est inférieur à celui du carter.

Comme la meule peut se rompre pendant l'utilisation, le carter de meule réduit les risques de blessure.

Débranchez l'outil et placez-le à l'envers en facilitant l'accès à l'axe. Retirez tous les accessoires montés sur l'axe. Placez la brosse roue métallique sur l'axe et serrez-la avec les clés. (Fig. 21)

Lors de l'utilisation de la brosse roue métallique, évitez d'appliquer une pression trop importante susceptible de provoquer une courbure excessive des fils et une rupture prématurée.

ENTRETIEN

ATTENTION :

- Assurez-vous toujours que l'appareil est éteint et débranché avant d'effectuer tout travail d'inspection ou d'entretien.
- N'utilisez jamais d'essence, de benzine, de diluant, d'alcool ou de produit similaire. Ces produits risquent de provoquer des décolorations, des déformations ou des fissures.

L'outil et ses orifices d'aération doivent être maintenus propres. Nettoyez les orifices d'aération de l'outil régulièrement ou chaque fois qu'ils commencent à se boucher. (Fig. 22)

Pour assurer la SÉCURITÉ et la FIABILITÉ du produit, les réparations, inspections et remplacements des charbons, ainsi que toute autre tâche de maintenance ou de réglage, doivent être effectués par un centre de service agréé Makita, exclusivement avec des pièces de rechange Makita.

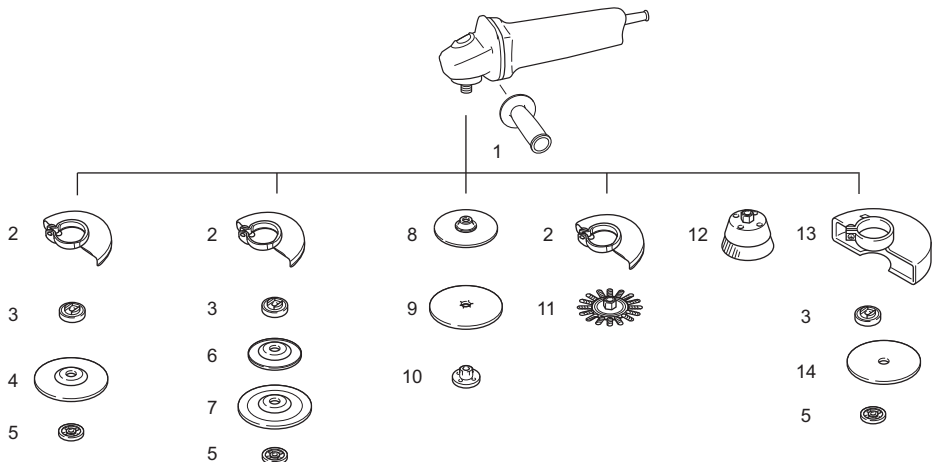
ACCESSOIRES FOURNIS EN OPTION

ATTENTION :

- Ces accessoires ou pièces complémentaires sont recommandés pour être utilisés avec l'outil Makita spécifié dans ce mode d'emploi. L'utilisation de tout autre accessoire ou pièce complémentaire peut comporter un risque de blessure. N'utilisez les accessoires ou pièces qu'aux fins auxquelles ils ont été conçus.

Pour obtenir plus de détails sur ces accessoires, contactez votre Centre de service local Makita.

- Capuchon anti-poussière



	Modèle 115 mm (4-1/2")	Modèle 125 mm (5")
1	Prise 36	
2	Carter de meule (pour meule)	
3	Flasque intérieur Super flasque	Flasque intérieur Super flasque
4	Meule à moyeu déporté/disque à lamelles	
5	Contre-écrou	Contre-écrou
6	Patin de renfort plastique	Patin de renfort plastique
7	Meule à ébarber	Meule à ébarber
8	Plateau en caoutchouc 100	Plateau en caoutchouc 115
9	Disque abrasif	
10	Contre-écrou de ponçage	
11	Brosse roue métallique	
12	Brosse coupe métallique	
13	Carter de meule (pour meule à tronçonner)*	
14	Meule à tronçonner/meule diamantée	
-	Clé à contre-écrou	

Remarque :

* Dans certains pays d'Europe, en cas d'utilisation d'une meule diamantée, le carter classique peut être utilisé à la place du carter spécial recouvrant les deux côtés de la meule. Suivez les réglementations de votre pays.

015258

REMARQUE :

- Certains éléments de la liste peuvent être inclus en tant qu'accessoires standard dans le coffret de l'outil envoyé. Ils peuvent varier suivant les pays.

Bruit ENG905-1
Les niveaux de bruit pondéré A typiques ont été mesurés selon la norme EN60745 :

Niveau de pression sonore (L_{pA}) : 84 dB (A)
Niveau de puissance sonore (L_{WA}) : 95 dB (A)
Incertitude (K) : 3 dB (A)

Portez des protections auditives.

Vibrations

ENG900-1

La valeur totale de vibration (somme du vecteur triaxial) a été déterminée selon la norme EN60745 :

Modèle 9564HR

Mode de fonctionnement : meulage de surface avec poignée latérale normale
Émission des vibrations ($a_{h,AG}$) : 8,5 m/s²
Incertitude (K) : 1,5 m/s²

Mode de fonctionnement : meulage de surface avec poignée latérale anti-vibrations
Émission des vibrations ($a_{h,AG}$) : 8,0 m/s²
Incertitude (K) : 1,5 m/s²

Mode de fonctionnement : ponçage au disque
Émission des vibrations ($a_{h,DS}$) : 2,5 m/s² au maximum
Incertitude (K) : 1,5 m/s²

Modèle 9565HR

Mode de fonctionnement : meulage de surface avec poignée latérale normale
Émission des vibrations ($a_{h,AG}$) : 9,0 m/s²
Incertitude (K) : 1,5 m/s²

Mode de fonctionnement : meulage de surface avec poignée latérale anti-vibrations
Émission des vibrations ($a_{h,AG}$) : 7,5 m/s²
Incertitude (K) : 1,5 m/s²

Mode de fonctionnement : ponçage au disque
Émission des vibrations ($a_{h,DS}$) : 2,5 m/s² au maximum
Incertitude (K) : 1,5 m/s²

Le dossier technique conforme à la norme 2006/42/CE est disponible auprès de :
Makita, Jan-Baptist Vinkstraat 2, 3070, Belgique

28. 5. 2014



Yasushi Fukaya
Directeur

Makita, Jan-Baptist Vinkstraat 2, 3070, Belgique

ENG902-1

- La valeur de l'émission des vibrations déclarée a été mesurée conformément à la méthode de test standard et peut être utilisée afin de comparer des outils entre eux.
- La valeur de l'émission des vibrations déclarée peut également être utilisée lors d'une évaluation préliminaire de l'exposition.
- La valeur de l'émission des vibrations déclarée est utilisée pour les principales applications de l'outil électrique. Cependant, si l'outil est utilisé pour d'autres applications, la valeur de l'émission des vibrations peut être différente.

⚠ AVERTISSEMENT :

- Selon la manière dont l'outil est utilisé, il est possible que l'émission des vibrations pendant l'utilisation réelle de l'outil électrique diffère de la valeur de l'émission déclarée.
- Veuillez à identifier les mesures de sécurité destinées à protéger l'opérateur et établies à partir de l'estimation de l'exposition dans les conditions réelles d'utilisation (en prenant en compte toutes les étapes du cycle de fonctionnement, telles que les périodes de mise hors tension de l'outil, les périodes de fonctionnement au ralenti et les périodes de mise en route).

Pour les pays d'Europe uniquement ENH101-18

Déclaration de conformité CE

Makita déclare que la/les machine(s) suivante(s) :

Nom de la machine :

Meuleuse d'Angle

N° de modèle/Type : 9564HR, 9565HR

sont conformes aux directives européennes

suyvantes :

2006/42/CE

sont produites conformément aux normes ou documents

de normalisation suivants :

EN60745

DEUTSCH (Originalanweisungen)

Erklärung der Gesamtdarstellung

- | | | |
|-------------------------------|--|---|
| 1. Spindelarretierung | 13. Kunststoffeller | 23. Schutzhaube für
Trennschleifscheibe/
Diamantscheibe |
| 2. Schiebeshalter | 14. Schmirgel-Sicherungsmutter | |
| 3. Anzeigelampe | 15. Schleifscheibe | |
| 4. Schutzhaube | 16. Gummiteller | 24. Trennschleifscheibe |
| 5. Lagergehäuse | 17. Markierung A | 25. Diamantscheibe |
| 6. Schraube | 18. Markierung B | 26. Dicke: Weniger als 4 mm (5/32") |
| 7. Hebel | 19. Markierung C | 27. Dicke: 4 mm (5/32") oder dicker |
| 8. Sicherungsmutter | 20. Stift | 28. Topfdrabtbürste |
| 9. Gekröpfte Scheibe | 21. Schlitz | 29. Drahrundbürste |
| 10. Innenflansch | 22. Trennschleifscheibe/
Diamantscheibe | 30. Lüftungsschlitz |
| 11. Sicherungsmutterschlüssel | | 31. Schlitz für Lufteintritt |
| 12. Flexscheibe | | |

TECHNISCHE DATEN

Modell	9564HR	9565HR
Scheibendurchmesser	115 mm (4-1/2")	125 mm (5")
Max. Scheibendicke	6,4 mm	
Spindelgewinde	M14 oder 5/8" (länderspezifisch)	
Nenn Drehzahl (n)/Leerlaufdrehzahl (n ₀)	12.000 min ⁻¹	
Gesamtlänge	299 mm	
Nettogewicht	2,3 kg	2,4 kg
Schutzklasse	□/II	

- Aufgrund unserer beständigen Forschungen und Weiterentwicklungen sind Änderungen an den hier angegebenen Technischen Daten ohne Vorankündigung vorbehalten.
- Die Technischen Daten können in den einzelnen Ländern voneinander abweichen.
- Gewicht entsprechend EPTA-Verfahren 01/2003

Verwendungszweck ENE048-1

Das Werkzeug ist für das Schneiden und Schleifen von Metall und Stein ohne Verwendung von Wasser vorgesehen.

Stromversorgung ENF002-2

Das Werkzeug darf nur an eine Stromversorgung mit Einphasen-Wechselstrom mit der auf dem Typenschild angegebenen Spannung angeschlossen werden. Das Werkzeug verfügt über ein doppelt isoliertes Gehäuse und kann daher auch an einer Stromversorgung ohne Schutzkontakt betrieben werden.

Allgemeine Sicherheitshinweise für Elektrowerkzeuge GEA010-1

⚠️ WARNUNG Lesen Sie alle Sicherheitshinweise und Anweisungen sorgfältig durch. Wenn die Hinweise und Anweisungen nicht beachtet werden, besteht die Gefahr eines Stromschlags, Brands und/oder das Risiko von ernsthaften Verletzungen.

Bewahren Sie alle Hinweise und Anweisungen zur späteren Referenz gut auf.

SICHERHEITSHINWEISE FÜR DAS SCHLEIFEN GEB033-7

Allgemeine Sicherheitshinweise für das Schleifen, Schmirgeln, Drahtbürsten oder Trennschleifen:

1. **Dieses Werkzeug wurde für die Verwendung als Schleifmaschine, Schmirgelschleifmaschine, Drahtbürste oder Trennmaschine hergestellt. Lesen Sie alle Sicherheitshinweise, Anweisungen, Abbildungen und Spezifikationen durch, die mit diesem Elektrowerkzeug geliefert wurden.** Werden nicht alle der unten aufgeführten Anweisungen befolgt, besteht die Gefahr eines Stromschlags, Brands und/oder die Gefahr schwerer Verletzungen.
2. **Andere Arbeiten, wie zum Beispiel Polieren, sollten nicht mit diesem Elektrowerkzeug durchgeführt werden.** Arbeiten, für die das Elektrowerkzeug nicht vorgesehen ist, führen möglicherweise zu einer Gefahr und verursachen Verletzungen.
3. **Verwenden Sie nur Zubehör, die vom Hersteller des Geräts entwickelt oder von ihm ausdrücklich empfohlen wurden.** Nur weil Sie ein Zubehör an Ihrem Werkzeug befestigen können, bedeutet dies nicht dass Sie es auch sicher verwenden können.
4. **Die Nenn Drehzahl des Zubehörs muss mindestens der auf dem Elektrowerkzeug angegebenen Höchstdrehzahl entsprechen.** Zubehör, das mit einer größeren Drehzahl als der eigenen Drehzahl

- betrieben wird, kann zerbrechen und auseinander fliegen.
5. **Außendurchmesser und Stärke des Zubehörs müssen innerhalb der Nennleistung Ihres Elektrowerkzeugs liegen.** Zubehör in falscher Größe kann nicht angemessen abgedeckt oder betrieben werden.
 6. **Bei Gewindemontage muss das Zubehörteil auf das Gewinde der Schleifspindel passen. Bei Flanschmontage muss die Bohrung des Zubehörteils die richtige Größe für den Flansch besitzen.** Zubehörteile, die nicht den Montageteilen des Elektrowerkzeugs entsprechen, laufen exzentrisch, schwingen stark und führen zum Kontrollverlust.
 7. **Verwenden Sie kein beschädigtes Zubehör. Überprüfen Sie vor jeder Verwendung das Zubehör, beispielsweise die Schleifscheiben auf Splitter und Risse, die Stützlager auf Risse, Abrisse oder übermäßigen Verschleiß, Drahtbürsten auf lose oder gebrochene Borsten. Falls das Elektrowerkzeug oder Zubehör zu Boden gefallen ist, überprüfen Sie es auf Beschädigungen und bauen ggf. ein unbeschädigtes Zubehörteil ein. Wenn Sie das Zubehör kontrolliert und eingesetzt haben, halten Sie und in der Nähe befindliche Personen sich außerhalb der Ebene des rotierenden Zubehörs auf und lassen Sie das Elektrowerkzeug eine Minute lang mit Höchstdrehzahl laufen.** Beschädigtes Zubehör zerbricht üblicherweise in dieser Testzeit.
 8. **Tragen Sie eine persönliche Schutzausrüstung. Tragen Sie je nach Arbeitsaufgabe ein Gesichtsschild oder eine Schutzbrille. Soweit angemessen, tragen Sie Staubmaske, Gehörschutz, Schutzhandschuhe oder Spezialschürze, die kleine Schleif- und Materialpartikel von Ihnen fernhält.** Der Augenschutz muss umherfliegende Fremdkörper abhalten können, die bei verschiedenen Arbeiten entstehen. Die Staubmaske oder Atemschutzmaske muss Partikel herausfiltern können, die bei verschiedenen Arbeiten entstehen. Lange und intensive Lärmbelastung kann zu Hörverlust führen.
 9. **Achten Sie darauf, dass Zuschauer den Sicherheitsabstand zum Arbeitsbereich einhalten. Jeder, der den Arbeitsbereich betritt, muss eine Schutzausrüstung tragen.** Splitter des Werkstücks oder eines zerbrochenen Zubehörteils können umherfliegen und zu Verletzungen auch außerhalb des eigentlichen Arbeitsbereichs führen.
 10. **Halten Sie das Elektrowerkzeug nur an den isolierten Griffflächen, wenn Sie unter Bedingungen arbeiten, bei denen das Schneidwerkzeug versteckte Verkabelung oder das eigene Kabel berühren kann.** Bei Kontakt des Werkzeugs mit einem stromführenden Kabel wird der Strom an die Metallteile des Elektrowerkzeugs und dadurch an den Bediener weitergeleitet, und der Bediener erleidet einen Stromschlag.
 11. **Halten Sie das Netzkabel von sich drehendem Zubehör fern.** Falls Sie die Kontrolle über das Elektrowerkzeug verlieren, kann das Netzkabel durchtrennt oder erfasst werden und Ihre Hand oder Arm kann in das sich drehende Zubehör geraten.
 12. **Legen Sie das Elektrowerkzeug niemals ab, bevor das Einsatzwerkzeug völlig zum Stillstand gekommen ist.** Das sich drehende Zubehör könnte Kontakt zur Auflagefläche erhalten, sodass Sie die Kontrolle über das Elektrowerkzeug verlieren.
 13. **Lassen Sie das Elektrowerkzeug nicht laufen, während Sie es tragen.** Ihre Kleidung kann durch zufälligen Kontakt mit dem sich drehenden Zubehör erfasst werden, und das Zubehör sich in Ihren Körper bohren.
 14. **Reinigen Sie regelmäßig die Lüftungsschlitze Ihres Elektrowerkzeugs.** Der Motorventilator zieht Staub in das Gehäuse hinein und eine übermäßige Ansammlung von Metallspänen kann elektrische Gefahren verursachen.
 15. **Betreiben Sie das Elektrowerkzeug nicht in der Nähe brennbarer Materialien.** Funken können diese Materialien entzünden.
 16. **Verwenden Sie keine Zubehörteile, die flüssige Kühlmittel benötigen.** Die Verwendung von Wasser oder anderen flüssigen Kühlmitteln kann zu einem Stromschlag führen.
- Rückschläge und zugehörige Warnhinweise**
Ein Rückschlag ist eine plötzliche Reaktion einer verklemmten oder verfangenen rotierenden Schleifscheibe, des Stützlagers, der Bürste oder anderen Zubehörs. Durch Verklemmen oder Verfangen kommt es zu einem plötzlichen Stillstand des rotierenden Zubehörs, sodass das Elektrowerkzeug in entgegengesetzte Rotationsrichtung des Zubehörs am Punkt des Festlaufens gezwungen wird.
Wird eine Trennscheibe beispielsweise durch das Werkstück verklemmt, kann die Kante, die in den Punkt des Verklemmens eindringt, in die Oberfläche des Materials eindringen, sodass die Scheibe ausschlägt. Die Scheibe springt entweder in Ihre Richtung oder vom Bediener weg, dies hängt von der Richtung der Scheibenbewegung am Punkt des Verklemmens ab. Unter diesen Umständen können Trennscheiben auch brechen.
Rückschläge werden durch eine falsche Handhabung des Elektrowerkzeugs und/oder unsachgemäße Bedienschritte oder -umstände verursacht und können durch die unten aufgeführten Maßnahmen vermieden werden.
- a) **Halten Sie das Elektrowerkzeug stets mit beiden Händen gut fest, und halten Sie Ihren Körper und Ihre Arme so, dass Sie Rückschläge abwehren können. Verwenden Sie immer den Zusatzgriff, sofern vorhanden, um größtmögliche Kontrolle über Rückschlagkräfte oder Reaktionsmomente beim Hochlauf zu haben.** Die Bedienperson kann durch geeignete Vorsichtsmaßnahmen die Rückschlag- und Reaktionskräfte beherrschen.
 - b) **Bringen Sie Ihre Hand nie in die Nähe sich drehender Einsatzwerkzeuge.** Das Zubehör könnte über Ihre Hand zurückschlagen.
 - c) **Meiden Sie mit Ihrem Körper den Bereich, in den das Elektrowerkzeug bei einem Rückschlag bewegt wird.** Der Rückschlag treibt das Elektrowerkzeug in die Richtung entgegengesetzt zur Bewegung der Schleifscheibe an der Blockierstelle.

- d) **Arbeiten Sie besonders vorsichtig im Bereich von Ecken, scharfen Kanten usw. Verhindern Sie, dass Einsatzwerkzeuge vom Werkstück zurückprallen und verklebmen.** Das rotierende Einsatzwerkzeug neigt bei Ecken, scharfen Kanten oder wenn es abprallt dazu, sich zu verklebmen. Dies verursacht einen Verlust der Kontrolle oder Rückschlag.
- e) **Verwenden Sie kein Ketten- oder gezähntes Sägeblatt.** Solche Werkzeuge verursachen häufig einen Rückschlag oder den Verlust der Kontrolle über das Elektrowerkzeug.

Besondere Warnhinweise zum Schneiden und Trennschleifen:

- a) **Verwenden Sie ausschließlich die für Ihr Elektrowerkzeug zugelassenen Schleifkörper und die für diese Schleifkörper vorgesehene Schutzhaube.** Schleifkörper, die nicht für das Elektrowerkzeug vorgesehen sind, können nicht ausreichend abgeschirmt werden und sind unsicher.
- b) **Die Schleifoberfläche von gekrüppften Schleifscheiben muss unterhalb der Ebene der Schutzhaube montiert werden.** Ein unsachgemäß montierter Schleifkörper, der über die Ebene der Schutzhaube hinausragt, kann nicht ausreichend geschützt werden.
- c) **Zur optimalen Sicherheit muss die Schutzhaube sicher am Elektrowerkzeug angebracht und positioniert sein, sodass der kleinstmögliche Teil des Schleifkörpers in Richtung Bedienperson frei liegt.** Die Schutzabdeckung soll die Bedienperson vor Bruchstücken und zufälligem Kontakt mit dem Schleifkörper und Funken, die die Kleidung entzünden könnten, schützen.
- d) **Die Schleifscheiben dürfen nur für die empfohlenen Arbeiten verwendet werden. Beispiel: Schleifen Sie nie mit der Seitenfläche einer Trennscheibe.** Trennscheiben sind zum Materialabtrag mit der Kante der Scheibe bestimmt. Durch seitliche Krafteinwirkung auf diese Schleifkörper können diese zerbrechen.
- e) **Verwenden Sie immer unbeschädigte Spannflansche in der richtigen Größe und Form für die von Ihnen gewählte Schleifscheibe.** Geeignete Flansche stützen die Schleifscheibe und verringern so die Gefahr eines Schleifscheibenbruchs. Flansche für Trennscheiben unterscheiden sich möglicherweise von Flanschen für Schleifscheiben.
- f) **Verwenden Sie keine abgenutzten Schleifscheiben von größeren Elektrowerkzeugen.** Schleifscheiben für größere Elektrowerkzeuge sind nicht für die höheren Drehzahlen von kleineren Elektrowerkzeugen ausgelegt und können brechen.

Weitere Sicherheitshinweise für das Trennschleifen:

- a) **Klemmen Sie die Trennscheibe nicht fest und üben Sie keinen übermäßigen Druck aus. Führen Sie keine übermäßig tiefen Schnitte aus.** Eine Überlastung der Scheibe erhöht deren Beanspruchung und die Anfälligkeit zum Verkanten oder Blockieren und damit die Möglichkeit eines Rückschlags oder Schleifkörperbruchs.
- b) **Meiden Sie den Bereich vor und hinter der rotierenden Trennscheibe.** Wenn sich die Scheibe während des Betriebs von Ihrem Körper wegbewegt,

kann im Falle eines Rückschlags das Elektrowerkzeug mit der sich drehenden Scheibe direkt auf Sie zugeschleudert werden.

- c) **Falls die Trennscheibe verklebmt oder Sie die Arbeit unterbrechen, schalten Sie das Elektrowerkzeug aus und halten Sie es ruhig, bis die Scheibe zum Stillstand gekommen ist. Versuchen Sie nie, die noch laufende Trennscheibe aus dem Schnitt zu ziehen, sonst kann ein Rückschlag erfolgen.** Überprüfen Sie die Ursache für das Verkanten der Scheibe und ergreifen Sie Korrekturmaßnahmen.

- d) **Starten Sie den Schnittvorgang nicht im Werkstück. Lassen Sie die Trennscheibe erst ihre volle Drehzahl erreichen, bevor Sie den Schnitt vorsichtig fortsetzen.** Die Scheibe kann verkanten, hochspringen oder zurückschlagen, wenn das Werkzeug im Werkstück eingeschaltet wird.

- e) **Stützen Sie Platten oder große Werkstücke ab, um das Risiko eines Rückschlags durch eine eingeklemmte Trennscheibe zu vermindern.** Große Werkstücke können sich unter ihrem eigenen Gewicht durchbiegen. Bringen Sie Stützen nahe der Schnittlinie und der Werkstückkante unter dem Werkstück zu beiden Seiten der Scheibe an.

- f) **Seien Sie besonders vorsichtig, wenn Sie einen „Tauchschnitt“ in Wände oder andere nicht einsehbare Bereiche ausführen.** Die eintauchende Trennscheibe kann beim Schneiden in Gas- oder Wasserleitungen, elektrische Leitungen oder andere Objekte einen Rückschlag verursachen.

Spezifische Sicherheitshinweise für das Schmirgeln:

- a) **Verwenden Sie kein zu großes Schmirgelscheibenpapier. Befolgen Sie bei der Auswahl des Schmirgelpapiers die Empfehlungen der Hersteller.** Zu großes Schmirgelpapier, das über den Schleifteller hinausreicht, stellt eine Verletzungsgefahr dar und kann zum Verfangen, Abriss der Scheibe oder zum Rückschlagen führen.

Spezifische Sicherheitshinweise für das Drahtbürsten:

- a) **Beachten Sie, dass die Drahtbürste auch während des üblichen Gebrauchs Drahtstücke verliert. Überlasten Sie die Drähte nicht durch zu hohen Anpressdruck.** Die Drahtborsten können leicht in lockere Kleidung und/oder die Haut eindringen.

- b) **Wird eine Schutzhaube empfohlen, verhindern Sie, dass sich Schutzhaube und Drahtbürste berühren können.** Auf Grund der Last und der Zentrifugalkräfte kann sich der Durchmesser der Drahtbürste vergrößern.

Zusätzliche Sicherheitshinweise:

17. **Verwenden Sie nur glasfaserverstärkte Scheiben als gekrüppfte Trennschleifscheiben.**
18. **Verwenden Sie mit diesem Schleifwerkzeug NIEMALS Steinschleiftöpfe.** Dieses Schleifwerkzeug ist nicht für diese Scheibetypen ausgelegt und die Verwendung dieser Scheiben kann zu schweren Verletzungen führen.
19. **Achten Sie sorgfältig darauf, dass Spindel, Flansch (insbesondere die Ansatzfläche) oder Sicherungsmutter nicht beschädigt werden. Eine**

Beschädigung dieser Teile kann zu einem Scheibenbruch führen.

20. Stellen Sie sicher, dass die Trennscheibe das Werkstück nicht berührt, bevor das Werkzeug eingeschaltet wurde.
21. Bevor Sie das Werkzeug auf das zu bearbeitende Werkstück ansetzen, lassen Sie es einige Zeit ohne Last laufen. Achten Sie auf Vibrationen und Schlägen; beides gibt Aufschluss über eine schlecht ausgewuchtete Scheibe oder kann auf einen nicht fachgerechten Einbau deuten.
22. Verwenden Sie für Schleifarbeiten nur die vorgeschriebene Fläche der Schleifscheibe.
23. Lassen Sie das Werkzeug nicht unbeaufsichtigt eingeschaltet. Das Werkzeug darf nur dann eingeschaltet sein, wenn es festgehalten wird.
24. Vermeiden Sie eine Berührung des Werkstücks unmittelbar nach der Bearbeitung, da es dann noch sehr heiß ist und Hautverbrennungen verursachen kann.
25. Befolgen Sie die Anweisungen des Herstellers zur korrekten Montage und Verwendung von Trennscheiben. Behandeln und lagern Sie Trennscheiben mit Sorgfalt.
26. Verwenden Sie keine separaten Reduzierbuchsen oder Adapter zur Anpassung von Schleifscheiben mit großem Durchmesser.
27. Verwenden Sie nur die für dieses Werkzeug vorgeschriebenen Flansche.
28. Wenn eine Trennscheibe mit Gewindebohrung am Werkzeug montiert werden soll, achten Sie darauf, dass ihr Gewinde tief genug für die Spindellänge ist.
29. Vergewissern Sie sich, dass das Werkstück sicher eingespannt ist.
30. Beachten Sie, dass sich die Schleifscheibe nach dem Ausschalten der Maschine noch weiterdreht.
31. Falls der Arbeitsplatz sehr heiß, feucht oder durch leitfähigen Staub stark verschmutzt ist, verwenden Sie einen Kurzschlusschalter (30 mA) zum Schutz des Bedieners.
32. Verwenden Sie dieses Werkzeug nicht zum Schneiden von asbesthaltigen Materialien.
33. Verwenden Sie bei Arbeiten mit der Trennscheibe immer eine gesetzlich vorgeschriebene Staubsammelhaube.
34. Die Trennscheiben dürfen keinem seitlichen Druck ausgesetzt werden.

BEWAHREN SIE DIESE ANLEITUNG SORGFÄLTIG AUF.

⚠️ WARNUNG:
Lassen Sie sich NIE durch Bequemlichkeit oder (aus fortwährendem Gebrauch gewonnener) Vertrautheit mit dem Werkzeug dazu verleiten, die Sicherheitsregeln für das Werkzeug zu missachten. Bei MISSBRÄUCLICHER Verwendung des Werkzeugs oder Missachtung der in diesem Handbuch enthaltenen Sicherheitshinweise kann es zu schweren Verletzungen kommen.

FUNKTIONSBESCHREIBUNG

⚠️ ACHTUNG:

- Schalten Sie das Werkzeug stets aus und ziehen Sie den Netzstecker, bevor Sie Einstellungen oder eine Funktionsprüfung am Werkzeug vornehmen.

Spindelarretierung

⚠️ ACHTUNG:

- Betätigen Sie die Spindelarretierung niemals bei rotierender Spindel. Andernfalls kann das Werkzeug beschädigt werden. **(Abb. 1)**
- Drücken Sie die Spindelarretierung, um die Spindel beim Montieren oder Demontieren von Zubehör zu blockieren.

Einschalten

⚠️ ACHTUNG:

- Stellen Sie vor dem Anschließen des Werkzeugs an das Stromnetz sicher, dass sich der Schiebeschalter korrekt bedienen lässt und in Stellung „OFF“ (AUS) zurückkehrt, sobald das hintere Ende des Schiebeschalters nach unten gedrückt wird.
- Um die Bedienung bei längerem Gebrauch zu vereinfachen, kann der Schalter in der Stellung „ON“ (EIN) arretiert werden. Seien Sie vorsichtig, wenn der Schalter des Werkzeugs in der Position „ON“ (EIN) arretiert ist, und halten Sie das Werkzeug gut fest.

Um das Werkzeug einzuschalten, schieben Sie den Schiebeschalter in Stellung „I (ON/EIN)“. Drücken Sie dazu auf die Rückseite des Schalters. Zum Dauerbetrieb muss das vordere Ende des Schiebeschalters gedrückt werden, um den Schalter zu arretieren. **(Abb. 2)**

Wenn Sie das Werkzeug anhalten möchten, drücken Sie das hintere Ende des Schiebeschalters und schieben Sie diesen dann in die Position „O (OFF/AUS)“.

Anzeigelampe (Abb. 3)

Die Anzeigelampe leuchtet grün, sobald das Werkzeug an die Stromversorgung angeschlossen ist. Wenn die Anzeigelampe nicht leuchtet, ist möglicherweise das Netzkabel oder der Regler defekt. Wenn die Anzeigelampe leuchtet und das Werkzeug nicht startet, obwohl es eingeschaltet wird, sind möglicherweise die Kohlebürsten verschlissen, oder der Regler, der Motor oder der EIN/AUS-Schalter ist defekt.

Wiederanlaufschutz

Wenn der Schalter in der EIN-Position verriegelt ist, läuft das Werkzeug nicht an, selbst wenn das Werkzeug an die Stromversorgung angeschlossen wird.

Zu diesem Zeitpunkt flackert die Anzeigelampe rot und zeigt an, dass der Wiederanlaufschutz aktiv ist.

Um den Wiederanlaufschutz zu deaktivieren, bringen Sie den Schiebeschalter in die Position „O (OFF/AUS)“.

Sanftanlauf-Funktion

Die Sanftanlauf-Funktion sorgt für einen ruckfreien Anlauf.

MONTAGE

ACHTUNG:

- Schalten Sie das Werkzeug stets aus und ziehen Sie den Netzstecker, bevor Sie irgendwelche Arbeiten am Werkzeug durchführen.

Montieren des Seitengriffs (Handgriff)

ACHTUNG:

- Vergewissern Sie sich vor dem Betrieb stets, dass der Seitengriff einwandfrei montiert ist.

Schrauben Sie den Seitengriff an der in der Abbildung gezeigten Position am Werkzeug fest. **(Abb. 4)**

Montieren und Demontieren der Schutzhaube (für gekröpfte Scheiben, Fächerschleifscheiben, Flexscheiben, Drahrundbürsten/Trennschleifscheiben, Diamantscheiben)

WARNUNG:

- Bei Verwendung einer gekröpfen Scheibe, Fächerschleifscheibe, Flexscheibe oder Drahrundbürste muss die Schutzhaube so am Werkzeug angebracht werden, dass die geschlossene Seite stets in Richtung Bediener zeigt.
- Vergewissern Sie sich bei Verwendung einer Trennschleifscheibe/Diamantscheibe, dass Sie die spezielle Schutzhaube für diese Trennscheiben verwenden. (In einigen europäischen Ländern: Bei Verwendung einer Diamantscheibe kann der gewöhnliche Schutz verwendet werden. Halten Sie die örtlich geltenden Bestimmungen ein.)

Für Werkzeug mit Schutzhaube und Klemmhebel **(Abb. 5)**

Lösen Sie die Schraube, und ziehen Sie dann den Hebel in Pfeilrichtung. Montieren Sie die Schutzhaube so, dass die Vorsprünge am Schutzhaubenring mit den Nuten im Lagergehäuse ausgerichtet sind. Drehen Sie anschließend die Schutzhaube in einen solchen Winkel, in dem der Bediener bei seiner Arbeit entsprechend geschützt wird.

Ziehen Sie den Hebel in Pfeilrichtung. Ziehen Sie anschließend die Schutzhaube fest, indem Sie die Schraube anziehen. Achten Sie darauf, die Schraube fest anzuziehen. Mit dem Hebel kann der Einstellwinkel der Schutzhaube geändert werden. **(Abb. 6)**

Zum Demontieren der Schutzhaube befolgen Sie die Vorgehensweise zum Montieren in umgekehrter Reihenfolge.

Für Werkzeug mit Schutzhaube und Sicherungsschraube **(Abb. 7 u. 8)**

Montieren Sie die Schutzhaube so, dass die Vorsprünge am Schutzhaubenring mit den Nuten im Lagergehäuse ausgerichtet sind. Drehen Sie anschließend die Schutzhaube in einen solchen Winkel, in dem der Bediener bei seiner Arbeit entsprechend geschützt wird. Achten Sie darauf, die Schraube fest anzuziehen. Zum Demontieren der Schutzhaube befolgen Sie die Vorgehensweise zum Montieren in umgekehrter Reihenfolge.

Montieren und Demontieren einer gekröpfen Scheibe oder Fächerschleifscheibe (Sonderzubehör)

WARNUNG:

- Bei Verwendung einer gekröpfen Scheibe oder einer Fächerschleifscheibe muss die Schutzhaube so am Werkzeug angebracht werden, dass die geschlossene Seite stets in Richtung Bediener zeigt.

Setzen Sie den Innenflansch auf die Spindel.

Achten Sie darauf, dass Sie die Vertiefung des Innenflansches auf den geraden Bereich am Fuß der Spindel stecken.

Setzen Sie die Trenn-/Schleifscheibe auf den Innenflansch und schrauben Sie die Sicherungsmutter auf die Spindel. **(Abb. 9)**

Drücken Sie zum Anziehen der Sicherungsmutter die Spindelarretierung fest, um die Spindel zu blockieren; ziehen Sie dann die Mutter mit dem Sicherungsmutterschlüssel im Uhrzeigersinn fest an.

(Abb. 10)

Zum Demontieren der Scheibe befolgen Sie die Vorgehensweise zum Montieren in umgekehrter Reihenfolge.

Super-Flansch (Sonderzubehör)

Die Modelle mit der Kennzeichnung F sind serienmäßig mit Super-Flansch ausgestattet. Zum Lösen der Flanschmutter benötigen Sie nur ca. 1/3 des Kraftaufwands im Vergleich zu einem herkömmlichen Flansch.

Montieren und Demontieren der Flexscheibe (Sonderzubehör)

WARNUNG:

- Verwenden Sie immer die mitgelieferte Schutzhaube, wenn das Werkzeug mit einer Flexscheibe bestückt ist. Die Scheibe kann während des Gebrauchs zerbersten. Durch die Schutzhaube wird die Verletzungsgefahr deutlich verringert.

Halten Sie die Anweisungen für gekröpfte Scheiben ein, verwenden Sie jedoch auch einen Kunststoffteller über der Scheibe. Die Reihenfolge der Montage entnehmen Sie bitte der Zubehörseite dieser Anleitung. **(Abb. 11)**

Montage und Demontage der Schleifscheibe (Sonderzubehör)

HINWEIS:

- Verwenden Sie nur das in diesem Handbuch angegebene Schleifzubehör. Es muss separat erworben werden.

Setzen Sie den Gummiteller auf die Spindel. Setzen Sie die Scheibe auf den Gummiteller, und schrauben Sie die Schmirgel-Sicherungsmutter auf die Spindel. Drücken Sie zum Anziehen der Schmirgel-Sicherungsmutter die Spindelarretierung fest, um die Spindel zu blockieren; ziehen Sie dann die Mutter mit dem Sicherungsmutterschlüssel im Uhrzeigersinn fest an.

(Abb. 12)

Zum Entnehmen der Scheibe befolgen Sie die Vorgehensweise zum Einbauen in umgekehrter Reihenfolge.

Montieren und Demontieren der Staubabdeckung (Sonderzubehör)

WARNUNG:

- Schalten Sie das Werkzeug stets aus und ziehen Sie den Stecker, bevor Sie die Staubabdeckung einsetzen oder entfernen. Andernfalls kann es zu einer Beschädigung des Werkzeugs oder zu Verletzungen kommen.

Es gibt drei Typen von Staubabdeckungen für verschiedene Positionen. **(Abb. 13, 14 und 15)**

Positionieren Sie die Staubabdeckung so, dass die Seite der Staubabdeckung mit der Markierung (A, B oder C) in Richtung Werkzeugkopf zeigt. Drücken Sie die Stifte der Staubabdeckung in den Schlitz. **(Abb. 16)**

die Staubabdeckung kann ohne Hilfe von Werkzeugen abgenommen werden.

HINWEIS:

- Reinigen Sie die Staubabdeckung, wenn die Staubabdeckung mit Staub oder anderen Materialien verunreinigt ist. Wenn Sie die Arbeiten mit einer verstopften Staubabdeckung fortsetzen, wird das Werkzeug beschädigt.

BETRIEB

WARNUNG:

- Das Werkzeug darf auf keinen Fall gewaltsam angedrückt werden. Das Eigengewicht des Werkzeugs übt ausreichenden Druck aus. Gewaltanwendung und übermäßiger Druck können zu einem gefährlichen Bruch der Scheibe führen.
- Wechseln Sie die Scheibe **IMMER** aus, falls das Werkzeug während der Arbeit fallen gelassen wurde.
- Eine Schlei- oder Trennscheibe darf **NIEMALS** gegen das Werkstück geschlagen oder gestoßen werden.
- Achten Sie besonders beim Bearbeiten von Ecken, scharfen Kanten usw. darauf, dass die Scheibe nicht springt oder hängen bleibt. Dies könnte den Verlust der Kontrolle und Rückschläge verursachen.
- Verwenden Sie das Werkzeug **NIEMALS** mit Holz- oder anderen Sägeblättern. Solche Blätter verursachen bei Verwendung an einem Schleifer häufiges Rückschlagen und Verlust der Kontrolle, was zu Verletzungen führen kann.

ACHTUNG:

- Schalten Sie das Werkzeug niemals ein, wenn es in Kontakt mit dem Werkstück steht, da dies eine Verletzungsgefahr für den Bediener darstellt.
- Tragen Sie bei der Arbeit stets eine Schutzbrille oder einen Gesichtsschutz.
- Schalten Sie das Werkzeug nach der Arbeit stets aus und warten Sie, bis die Scheibe zum völligen Stillstand gekommen ist, bevor Sie das Werkzeug ablegen.
- Halten Sie das Werkzeug **IMMER** mit einer Hand am Gehäuse und mit der anderen am Seitengriff sicher fest.

Schleifen und Schmirgeln (Abb. 17)

Schalten Sie das Werkzeug ein und bringen Sie die Schleifscheibe an das Werkstück.

Halten Sie die Schleifscheibe im Allgemeinen in einem Winkel von etwa 15° zur Werkstoffoberfläche.

Bewegen Sie den Schleifer beim Einschleifen einer neuen Scheibe nicht in Richtung B, weil die Scheibe sonst in das Werkstück einschneidet. Sobald die Scheibenkante durch Gebrauch abgerundet ist, kann die Scheibe sowohl in Richtung A als auch in Richtung B bewegt werden.

Arbeiten mit der Trennschleifscheibe/ Diamantscheibe (Sonderzubehör) (Abb. 18)

Folgen Sie zur Montage den Anweisungen für gekrüpfte Scheiben.

Die Richtung für das Anbringen der Sicherungsmutter und des Innenflansches ist von der Dicke der Scheibe abhängig.

Informieren Sie sich in der folgenden Tabelle. **(Abb. 19)**

WARNUNG:

- Vergewissern Sie sich bei Verwendung einer Trennschleifscheibe/Diamantscheibe, dass Sie die spezielle Schutzhaube für diese Trennscheiben verwenden. (In einigen europäischen Ländern: Bei Verwendung einer Diamantscheibe kann der gewöhnliche Schutz verwendet werden. Halten Sie die örtlich geltenden Bestimmungen ein.)
- Verwenden Sie eine Trennscheibe **NIEMALS** zum Schleifen von Flächen.
- Klemmen Sie die Scheibe nicht fest und üben Sie keinen übermäßigen Druck aus. Führen Sie keine übermäßig tiefen Schnitte aus. Eine Überlastung der Scheibe erhöht die Belastung und die Anfälligkeit zum Verwinden oder Verklemmen der Scheibe im Schnitt, aber auch die Möglichkeit des Rückschlagens oder eines Bruchs der Scheibe, oder es kommt zu einer Überhitzung des Motors.
- Starten Sie den Schnittvorgang nicht im Werkstück. Warten Sie, bis die Scheibe mit voller Drehzahl rotiert und führen Sie die Scheibe vorsichtig in den Schnitt ein, indem Sie das Werkzeug über die Werkstückoberfläche führen. Die Scheibe kann sich verkanten, hochspringen oder zurückschlagen, wenn das Werkzeug im Werkstück eingeschaltet wird.
- Ändern Sie während des Schnittvorgangs niemals den Winkel der Scheibe. Das Aufbringen eines seitlichen Drucks auf die Trennscheibe (wie beim Schleifen von Flächen) kann zum Bersten oder Brechen der Scheibe und dadurch zu schweren Verletzungen führen.
- Eine Diamantscheibe muss senkrecht zum zu schneidenden Material geführt werden.

Arbeiten mit einer Topfdrabtbürste (Sonderzubehör)

ACHTUNG:

- Überprüfen Sie die Funktionstüchtigkeit der Bürste, indem Sie das Werkzeug ohne Last laufen lassen. Stellen Sie sicher, dass sich niemand vor oder in einer Linie mit der Bürste befindet.
- Verwenden Sie niemals eine Bürste, die beschädigt oder aus dem Gleichgewicht ist. Die Verwendung einer beschädigten Bürste erhöht das Verletzungsrisiko durch den Kontakt mit gebrochenen Bürstendrähten.

Trennen Sie das Werkzeug von der Stromversorgung und drehen Sie es um, um einen einfachen Zugang zur Spindel zu ermöglichen. Bauen Sie alle Zubehörteile von

der Spindel ab. Schrauben Sie die Topfdrahtbürste auf die Spindel und ziehen Sie diese mit dem mitgelieferten Schlüssel fest. **(Abb. 20)**

Achten Sie bei der Verwendung der Bürste darauf, nicht zu viel Druck auszuüben, da sich die Drähte sonst zu stark verbiegen, was zu einem vorzeitigen Zerbrechen führt.

Arbeiten mit einer Drahrundbürste (Sonderzubehör)

ACHTUNG:

- Überprüfen Sie die Funktionstüchtigkeit der Drahrundbürste, indem Sie das Werkzeug ohne Last laufen lassen. Stellen Sie sicher, dass sich niemand vor oder in einer Linie mit der Drahrundbürste befindet.
- Verwenden Sie niemals eine Drahrundbürste, die beschädigt oder aus dem Gleichgewicht ist. Die Verwendung einer beschädigten Drahrundbürste erhöht das Verletzungsrisiko durch den Kontakt mit gebrochenen Bürstendrähten.
- Verwenden Sie mit Drahrundbürsten STETS einen Schutz, wobei der Scheibendurchmesser in den Schutz hineinpassen muss. Die Scheibe kann während des Gebrauchs zerbersten. Durch die Schutzhaube wird die Verletzungsgefahr deutlich verringert.

Trennen Sie das Werkzeug von der Stromversorgung und drehen Sie es um, um einen einfachen Zugang zur Spindel zu ermöglichen. Bauen Sie alle Zubehörteile von der Spindel ab. Drehen Sie die Drahrundbürste auf die Spindel und ziehen Sie diese mit den Schlüsseln fest.

(Abb. 21)

Vermeiden Sie bei Verwendung der Drahrundbürste übermäßigen Druck, denn dadurch werden die Drähte verbogen und können vorzeitig brechen.

WARTUNG

ACHTUNG:

- Schalten Sie das Werkzeug aus und ziehen Sie immer den Netzstecker, bevor Sie am Werkzeug Inspektionen oder Wartungsarbeiten vornehmen.
- Verwenden Sie zum Reinigen niemals Kraftstoffe, Benzin, Verdünner, Alkohol oder ähnliches. Dies kann zu Verfärbungen, Verformungen oder Rissen führen.

Halten Sie das Werkzeug und die Lüftungsschlitze des Werkzeugs stets sauber. Reinigen Sie die Lüftungsschlitze des Werkzeugs regelmäßig oder bei Beginn einer Verstopfung. **(Abb. 22)**

Zur Gewährleistung der SICHERHEIT und ZUVERLÄSSIGKEIT des Produkts dürfen Reparaturen, Inspektion und Austausch der Kohlebürsten sowie alle anderen Wartungsarbeiten und Einstellungen nur in von Makita autorisierten Servicecentern ausgeführt werden. Dabei sind ausschließlich Makita-Ersatzteile zu verwenden.

SONDERZUBEHÖR

ACHTUNG:

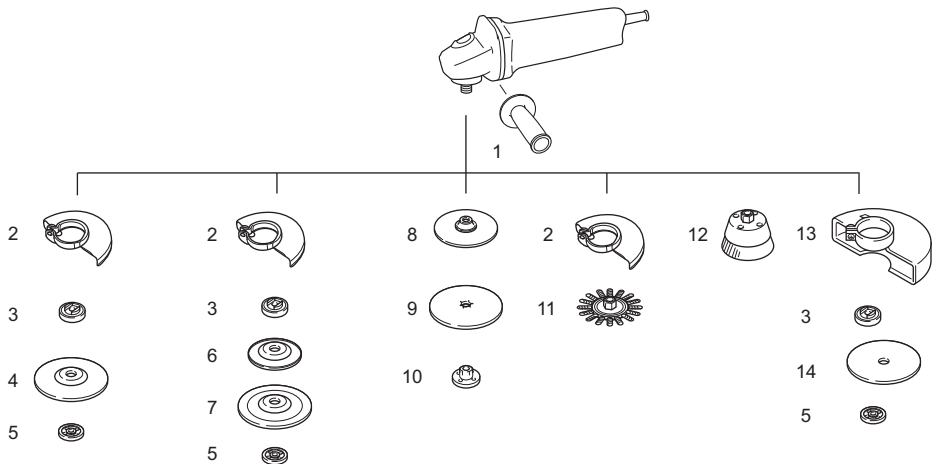
- Für das in diesem Handbuch beschriebene Makita-Gerät werden die folgenden Zubehör- und Zusatzteile empfohlen. Bei Verwendung anderer Zubehör- und

Zusatzteile kann es zu Verletzungen kommen.

Verwenden Sie Zubehör- und Zusatzteile nur für den vorgesehenen Zweck.

Informationen zu diesem Zubehör erhalten Sie von Ihrem Makita-Servicecenter.

- Staubabdeckung



	Modell 115 mm (4-1/2")	Modell 125 mm (5")
1	Griff 36	
2	Schutzhaube (für Schleifscheibe)	
3	Innenflansch Super-Flansch	Innenflansch Super-Flansch
4	Gekröpfte Scheibe/Fächerschleifscheibe	
5	Sicherungsmutter	Sicherungsmutter
6	Kunststoffeller	Kunststoffeller
7	Flexscheibe	Flexscheibe
8	Gummiteller 100	Gummiteller 115
9	Schleifscheibe	
10	Schmirgel-Sicherungsmutter	
11	Drahrundbürste	
12	Topfdrahtbürste	
13	Schutzhaube (für Trennscheibe)*	
14	Trennschleifscheibe/Diamantscheibe	
-	Sicherungsmutterschlüssel	

Hinweis:

- * In einigen europäischen Ländern: Bei Verwendung einer Diamantscheibe kann der gewöhnliche Schutz statt des Spezialschutzes verwendet werden, der beide Seiten der Scheibe abdeckt. Halten Sie die örtlich geltenden Bestimmungen ein.

015258

HINWEIS:

- Einige der in der Liste aufgeführten Elemente sind dem Werkzeugpaket als Standardzubehör beigelegt. Diese können in den einzelnen Ländern voneinander abweichen.

Schallpegel

ENG905-1

Typischer A-bewerteter Schallpegel nach EN60745:

Schalldruckpegel (L_{pA}): 84 dB (A)

Schallleistungspegel (L_{WA}): 95 dB (A)

Abweichung (K): 3 dB (A)

Tragen Sie Gehörschutz.

Schwingung

ENG900-1

Schwingungsgesamtwerte (Vektorsumme dreier Achsen) nach EN60745:

Modell 9564HR

Betriebsart: Planschleifen mit normalem Seitengriff

Schwingungsbelastung ($a_{h,AG}$): 8,5 m/s²

Abweichung (K): 1,5 m/s²

Betriebsart: Planschleifen mit Anti-Vibrations-Seitengriff

Schwingungsbelastung ($a_{h,AG}$): 8,0 m/s²

Abweichung (K): 1,5 m/s²

Betriebsart: Scheibenschleifen
Schwingungsbelastung ($a_{h,DS}$): 2,5 m/s² oder weniger
Abweichung (K): 1,5 m/s²

Modell 9565HR

Betriebsart: Planschleifen mit normalem Seitengriff
Schwingungsbelastung ($a_{h,AG}$): 9,0 m/s²
Abweichung (K): 1,5 m/s²

Betriebsart: Planschleifen mit Anti-Vibrations-Seitengriff

Schwingungsbelastung ($a_{h,AG}$): 7,5 m/s²
Abweichung (K): 1,5 m/s²

Betriebsart: Scheibenschleifen
Schwingungsbelastung ($a_{h,DS}$): 2,5 m/s² oder weniger
Abweichung (K): 1,5 m/s²

Die technischen Unterlagen gemäß 2006/42/EG sind erhältlich von:

Makita, Jan-Baptist Vinkstraat 2, 3070, Belgien

28. 5. 2014



Yasushi Fukaya
Direktor

Makita, Jan-Baptist Vinkstraat 2, 3070, Belgien

ENG902-1

- Der hier angegebene Wert für die erzeugten Schwingungen wurde gemäß dem genormten Testverfahren ermittelt und kann als Vergleich zu anderen Werkzeugen herangezogen werden.
- Der angegebene Wert für die erzeugten Schwingungen ist außerdem für eine vorbeugende Bewertung der Belastung zu verwenden.
- Der angegebene Wert für die erzeugten Schwingungen gilt, wenn das Elektrowerkzeug für den vorgesehenen Zweck verwendet wird. Wenn das Werkzeug für andere Zwecke verwendet wird, kann der Wert für die Schwingungsbelastung jedoch von dem hier aufgeführten Wert abweichen.

WARNUNG:

- Die Schwingungsbelastung kann bei tatsächlichem Gebrauch des Elektrowerkzeugs in Abhängigkeit von der Handhabung des Elektrowerkzeugs von dem hier aufgeführten Wert abweichen.
- Stellen Sie sicher, dass Schutzmaßnahmen für den Bediener getroffen werden, die auf den unter den tatsächlichen Arbeitsbedingungen zu erwartenden Belastungen beruhen (beziehen Sie alle Bestandteile des Arbeitsablaufs ein, also zusätzlich zu den Arbeitszeiten auch Zeiten, in denen das Werkzeug ausgeschaltet ist oder ohne Last läuft).

Nur für europäische Länder

ENH101-18

EG-Konformitätserklärung

Makita erklärt, dass die nachfolgende(n) Maschine(n):

Bezeichnung der Maschine(n):

Winkelschleifer

Nummer/Typ des Modells: 9564HR, 9565HR

den folgenden Richtlinien der Europäischen Union

genügt/genügen:

2006/42/EG

Sie werden gemäß den folgenden Standards oder Normen gefertigt:

EN60745

ITALIANO (Istruzioni originali)

Spiegazione della vista generale

- | | | |
|---------------------------------|---|--|
| 1. Blocco dell'albero | 13. Cuscinetto in plastica | 23. Protezione per disco di taglio abrasivo/disco diamantato |
| 2. Interruttore a scorrimento | 14. Controdado di carteggiatura | 24. Disco di taglio abrasivo |
| 3. Spia luminosa | 15. Disco abrasivo | 25. Disco diamantato |
| 4. Protezione del disco | 16. Cuscinetto in gomma | 26. Spessore: meno di 4 mm (5/32") |
| 5. Alloggiamento del cuscinetto | 17. Contrassegno A | 27. Spessore: 4 mm (5/32") o superiore |
| 6. Vite | 18. Contrassegno B | 28. Spazzola metallica a coppa |
| 7. Leva | 19. Contrassegno C | 29. Spazzola metallica a disco |
| 8. Controdado | 20. Perno | 30. Apertura di scarico |
| 9. Disco con centro depresso | 21. Apertura | 31. Apertura di aspirazione |
| 10. Flangia interna | 22. Disco di taglio abrasivo/disco diamantato | |
| 11. Chiave per controdadi | | |
| 12. Disco flessibile | | |

CARATTERISTICHE TECNICHE

Modello	9564HR	9565HR
Diametro del disco	115 mm (4-1/2")	125 mm (5")
Spessore massimo del disco	6,4 mm	
Filettatura del mandrino	M14 o 5/8" (specifico per il paese)	
Velocità nominale (n)/Velocità a vuoto (n ₀)	12.000 min ⁻¹	
Lunghezza complessiva	299 mm	
Peso netto	2,3 kg	2,4 kg
Classe di sicurezza	□/II	

- Le caratteristiche tecniche riportate di seguito sono soggette a modifiche senza preavviso in virtù del nostro programma continuo di ricerca e sviluppo.
- Le caratteristiche tecniche possono differire da paese a paese.
- Peso determinato in conformità con la EPTA-Procedure 01/2003

Uso previsto

ENE048-1

L'utensile va utilizzato per la smerigliatura, la carteggiatura e il taglio di metalli e pietre senza l'uso di acqua.

Alimentazione

ENF002-2

L'utensile deve essere collegato a una presa di corrente con la stessa tensione di quella indicata sulla targhetta e può funzionare soltanto con corrente alternata monofase. L'utensile è dotato di doppio isolamento, pertanto può essere usato anche con prese di corrente sprovviste della messa a terra.

Avvertenze generali di sicurezza per l'uso dell'utensile

GEA010-1

⚠ AVVERTENZA Leggere attentamente tutte le avvertenze di sicurezza e le istruzioni. La mancata osservanza delle istruzioni e delle avvertenze riportate di seguito potrebbe provocare scosse elettriche, incendi e/o lesioni gravi.

Conservare le avvertenze e le istruzioni per riferimenti futuri.

AVVERTENZE DI SICUREZZA PER LA SMERIGLIATRICE

GEB033-7

Avvisi di sicurezza comuni per la smerigliatura, la carteggiatura, la spazzolatura metallica o le operazioni di taglio abrasivo:

1. **Questo utensile va utilizzato come smerigliatrice, levigatrice, spazzola d'acciaio o strumento di taglio. Leggere tutti gli avvisi di sicurezza, le istruzioni, le illustrazioni e le caratteristiche tecniche fornite con questo utensile.** La mancata osservanza delle istruzioni riportate di seguito può provocare scosse elettriche, incendi e/o lesioni gravi.
2. **Non si consiglia di utilizzare questo utensile per eseguire operazioni quali la lucidatura.** Operazioni per le quali l'utensile non è stato progettato possono creare un rischio e lesioni personali.
3. **Non utilizzare accessori non progettati specificamente e consigliati dal produttore dell'utensile.** Il semplice fissaggio dell'accessorio al proprio utensile non garantisce un funzionamento sicuro.
4. **La velocità nominale dell'accessorio deve essere almeno equivalente alla velocità massima contrassegnata sull'utensile.** Gli accessori che funzionano più velocemente della velocità nominale possono rompersi e volare via in più pezzi.
5. **Il diametro esterno e lo spessore dell'accessorio devono corrispondere ai limiti di capienza**

- dell'utensile. Gli accessori con dimensioni errate non possono essere protetti o controllati adeguatamente.
6. **L'attacco filettato degli accessori deve corrispondere alla filettatura del mandrino della smerigliatrice. Per quanto riguarda gli accessori montati mediante flange, il diametro del foro dell'albero sull'accessorio deve corrispondere a quello della flangia.** Gli accessori che non corrispondono all'attacco di montaggio risulteranno sbilanciati, vibreranno eccessivamente e potrebbero causare la perdita di controllo.
 7. **Non utilizzare un accessorio danneggiato. Prima di ogni utilizzo, controllare gli accessori quali i dischi abrasivi per verificare l'eventuale presenza di schegge e fessure, cuscinetti di supporto per crepe, strappi o usura in eccesso, utilizzare una spazzola metallica per fili allentati o con fessure. Se l'utensile o l'accessorio cadono, controllare l'eventuale presenza di danni o installare un accessorio intatto. Una volta controllato e installato l'accessorio, posizionarsi insieme agli astanti lontano dal piano dell'accessorio rotante e azionare l'utensile alla massima velocità a vuoto per un minuto.** Normalmente, gli accessori danneggiati si romperanno durante questo periodo di prova.
 8. **Indossare l'equipaggiamento di protezione individuale. A seconda dell'applicazione, utilizzare uno schermo facciale, occhiali protettivi o di sicurezza. Se necessario, indossare una maschera antipolvere, protezioni acustiche, guanti e un grembiule da officina in grado di fermare frammenti piccoli o abrasivi del pezzo in lavorazione.** La protezione degli occhi deve essere capace di arrestare i residui volanti generati dalle varie operazioni. La maschera antipolvere o il respiratore devono essere in grado di filtrare le particelle generate dalla propria attività. L'esposizione prolungata al rumore ad alta intensità può causare la perdita dell'udito.
 9. **Mantenere gli astanti ad una distanza di sicurezza dall'area di lavoro. Tutte le persone che entrano nella zona di lavoro devono indossare l'equipaggiamento di protezione individuale.** I frammenti di un pezzo o di un accessorio rotto possono volare via e provocare lesioni oltre l'area operativa immediata.
 10. **Nel corso di operazioni che potrebbero portare l'accessorio di taglio a contatto con conduttori nascosti o con il proprio cavo di alimentazione, impugnare l'utensile esclusivamente mediante le superfici isolate predisposte.** Se l'accessorio da taglio entra a contatto con un filo percorso da corrente, le parti metalliche esposte dell'utensile si troveranno anch'esse sotto tensione e potrebbero provocare scosse elettriche all'operatore.
 11. **Posizionare il cavo lontano dall'accessorio rotante.** Se si perde il controllo, il cavo potrebbe essere tagliato o restare impigliato, mentre la mano o il braccio potrebbero essere spinti nell'accessorio rotante.
 12. **Non appoggiare mai l'utensile a terra se l'accessorio non è fermo completamente.**

- L'accessorio rotante può far presa sulla superficie e causare la perdita di controllo dell'utensile.
13. **Non azionare l'utensile quando viene trasportato su un lato.** Il contatto accidentale con l'accessorio rotante può strappare i vestiti, tirando l'accessorio sul proprio corpo.
 14. **Pulire regolarmente le aperture di ventilazione dell'utensile.** La ventola del motore attrarrà la polvere all'interno dell'alloggiamento e l'accumulo eccessivo di polvere metallica può causare pericoli elettrici.
 15. **Non utilizzare l'utensile vicino a materiali infiammabili.** Le scintille potrebbero bruciare questi materiali.
 16. **Non utilizzare accessori che richiedano refrigeranti liquidi.** L'utilizzo di acqua o di altri refrigeranti liquidi può provocare folgorazione o scosse elettriche.

Contraccolpi e avvisi correlati

Un contraccollo è una reazione improvvisa che si verifica quando un disco mobile, una spazzola, un cuscinetto di supporto o qualunque altro accessorio si incastra o urta contro qualcosa. L'incastro o l'urto causano uno stallo veloce dell'accessorio rotante che a sua volta mette fuori controllo l'utensile forzandolo nella direzione opposta alla rotazione dell'accessorio, causandone il grippaggio. Ad esempio, se un disco abrasivo si impiglia o urta contro un pezzo, il bordo del disco che entra nel punto di incastro può scavare la superficie del materiale causando l'innalzamento o l'espulsione del disco. Il disco potrebbe saltare verso o lontano dall'operatore, a seconda della direzione del movimento del disco nel punto di incastro. In queste circostanze i dischi abrasivi possono anche rompersi.

I contraccolpi sono determinati dall'uso improprio dell'utensile e/o da procedure o condizioni operative errate e possono essere evitati adottando le precauzioni specifiche illustrate di seguito.

- a) **Stringere con forza l'utensile e posizionare il proprio corpo e il braccio per resistere alle forze del contraccollo. Utilizzare sempre la maniglia ausiliaria, se inclusa, per un controllo massimo della reazione contro la coppia di torsione o i contraccolpi durante l'avvio.** L'operatore può controllare le reazioni della coppia di torsione o le forze del contraccollo, se vengono adottate le precauzioni adeguate.
- b) **Non posizionare mai le mani vicino all'accessorio rotante.** Gli accessori possono causare contraccolpi alla mano.
- c) **Se si verificano contraccolpi, non posizionare il corpo nella zona in cui si sposterà l'utensile.** I contraccolpi spingeranno l'utensile in avanti nella direzione opposta al movimento del disco nel punto dell'urto.
- d) **Prestare particolare attenzione durante il lavoro negli angoli, sui bordi aguzzi e così via. Evitare di fare rimbalzare o urtare l'accessorio.** Gli angoli, i bordi taglienti o i rimbalzi tendono a strappare l'accessorio rotante e causare la perdita di controllo o contraccolpi.
- e) **Non collegare una lama da intaglio munita di una catena di taglio o una lama di taglio dentata.** Queste lame creano frequentemente contraccolpi e la perdita di controllo.

Avvisi di sicurezza specifici per le operazioni di smerigliatura e di taglio abrasivo:

- a) **Utilizzare soltanto i tipi di dischi consigliati per l'utensile e la protezione specifica progettata per il disco selezionato.** I dischi non progettati per l'utensile non possono essere protetti adeguatamente e sono pericolosi.
- b) **La superficie di smerigliatura dei dischi a centro depresso deve essere montata sotto il piano del lembo di protezione.** Un montaggio improprio del disco, tale da farlo sporgere oltre il piano del lembo di protezione, non può garantire una protezione adeguata.
- c) **La protezione deve essere fissata saldamente all'utensile e posizionata per la massima sicurezza, in modo che una parte minima del disco venga esposta verso l'operatore.** La protezione aiuta a proteggere l'operatore da frammenti di disco rotti e dal contatto accidentale con il disco e con scintille che potrebbero incendiare gli abiti.
- d) **I dischi devono essere utilizzati soltanto per le applicazioni suggerite. Ad esempio: non smerigliare con il lato del disco da taglio.** I dischi abrasivi da taglio devono essere utilizzati per la smerigliatura periferica, le forze laterali applicate a questi dischi possono causarne le frantumazione.
- e) **Utilizzare sempre flange del disco intatte con le dimensioni e la forma corrette per il disco selezionato.** Flange adeguate del disco supportano il disco e riducono quindi la possibilità della relativa rottura. Le flange dei dischi di taglio possono essere diverse dalle flange del disco di smerigliatura.
- f) **Non utilizzare dischi consumati di utensili con dimensioni maggiori.** I dischi previsti per utensili più grandi non sono adatti per le velocità più elevate di un utensile più piccolo e possono frantumarsi.

Ulteriori avvisi di sicurezza specifici alle operazioni di taglio abrasivo:

- a) **Non "bloccare" il disco di taglio o applicare una pressione eccessiva. Non cercare di eseguire una profondità di taglio eccessiva.** Il sovraccarico del disco aumenta il caricamento e la predisposizione all'avvitamento o al grippaggio del disco di taglio e la possibilità di contraccolpi o rotture del disco.
- b) **Non posizionare il corpo in linea e dietro al disco mobile.** Se il disco, nel punto di mobilità, si sposta lontano dal corpo, gli eventuali contraccolpi possono spingere il disco mobile e l'utensile direttamente verso l'utente.
- c) **Quando il disco sta grippando o interrompe un taglio per qualsiasi motivo, spegnere l'utensile e mantenere l'utensile fermo fino a quando il disco si arresta completamente. Durante il taglio, non cercare mai di rimuovere il disco di taglio durante lo spostamento del disco, altrimenti possono verificarsi contraccolpi.** Esaminare le condizioni operative e adottare le misure necessarie per eliminare le cause del grippaggio del disco.
- d) **Non ricominciare l'operazione di taglio sul pezzo in lavorazione. Attendere che il disco raggiunga la piena velocità e riprendere il taglio con la massima attenzione.** Se l'utensile viene riavviato sul pezzo in lavorazione, il disco può grippare, sollevarsi o sobbalzare.

- e) **Supportare i pannelli o qualsiasi pezzo in lavorazione sovradimensionato per minimizzare il rischio di contraccolpi e incastramenti del disco.** I pezzi in lavorazione di grandi dimensioni tendono a flettersi sotto il loro stesso peso. Collocare supporti al di sotto del pezzo in lavorazione su entrambi i lati, sia vicino alla linea di taglio che all'estremità del disco.
- f) **Prestare particolare attenzione nel caso sia necessario eseguire "tagli con cavità" inserendo la lama in una parete esistente o in un'altra superficie chiusa.** Il disco sporgente può tagliare i tubi dell'acqua o del gas, i cavi elettrici o gli oggetti che possono causare il contraccolpo.

Avvisi di sicurezza specifici per le operazioni di smerigliatura:

- a) **Non utilizzare una carta abrasiva eccessivamente sovradimensionata. Nel selezionare la carta abrasiva, seguire le raccomandazioni dei produttori.** Una carta abrasiva di dimensioni maggiori che si estende oltre il cuscinetto da smerigliatura presenta un rischio di lacerazione e può causare la sbavatura, l'usura del disco o contraccolpi.

Avvisi di sicurezza specifici per le operazioni di spazzolatura metallica:

- a) **Notare che le setole di ferro cadono dalla spazzola persino durante le operazioni normali. Non sovraccaricare i fili applicando un carico eccessivo alla spazzola.** Le setole di ferro possono penetrare facilmente nei vestiti leggeri e/o nella pelle.
- b) **Se per la spazzola metallica è consigliato l'utilizzo di una protezione, non fare interferire il disco a raggi o la spazzola con il dispositivo.** Il diametro del disco a raggi o della spazzola può espandersi a causa del carico di lavoro e delle forze centrifughe.

Avvertenze di sicurezza supplementary:

17. **Se vengono utilizzati dischi con un centro depresso, accertarsi che si tratti esclusivamente di dischi in fibra di vetro rinforzata.**
18. **NON UTILIZZARE MAI dischi a tazza in pietra.** La presente smerigliatrice non è progettata per questo tipo di dischi e l'uso di un tale prodotto potrebbe causare gravi lesioni personali.
19. **Fare attenzione a non danneggiare il mandrino, la flangia (soprattutto la superficie di installazione) o il controdado. Se queste parti vengono danneggiate, il disco potrebbe rompersi.**
20. **Verificare che il disco non tocchi il pezzo in lavorazione prima che si accenda l'interruttore.**
21. **Prima di usare l'utensile, lasciarlo funzionare a vuoto per qualche minuto. Prestare attenzione a vibrazioni e oscillazioni, che potrebbero indicare difetti di installazione o che il disco non è bilanciato correttamente.**
22. **Per la smerigliatura, usare la superficie specificata del disco.**
23. **Non lasciare l'utensile acceso. Azionare l'utensile solo dopo averlo impugnato.**
24. **Non toccare il pezzo subito dopo il lavoro, poiché può raggiungere temperature elevate e provocare ustioni.**

25. **Osservare le istruzioni del produttore per il corretto montaggio e utilizzo dei dischi. Maneggiare e conservare i dischi con cura.**
26. **Non utilizzare boccole di riduzione o adattatori separati per montare dischi abrasivi con foro largo.**
27. **Usare soltanto flange specifiche per questo utensile.**
28. **Se si usano utensili su cui montare dischi con foro filettato, accertarsi che la filettatura del disco sia sufficientemente lunga da accettare la lunghezza del mandrino.**
29. **Accertarsi che il pezzo sia fissato stabilmente nei supporti.**
30. **Tenere presente che il disco continua a girare anche dopo aver spento l'utensile.**
31. **Se l'ambiente di lavoro è estremamente caldo o umido oppure contaminato da polvere conduttiva, usare un salvavita (30 mA) per garantire la sicurezza dell'operatore.**
32. **Non usare l'utensile su materiali che contengono amianto.**
33. **Quando si usano un disco di taglio, utilizzare sempre la protezione del disco per raccogliere la polvere, come previsto dalle normative in vigore nel paese.**
34. **I dischi da taglio non devono essere soggetti ad alcuna pressione laterale.**

CONSERVARE QUESTE ISTRUZIONI.

⚠ AVVERTENZA:

NON lasciare che la familiarità acquisita con il prodotto (dovuta all'uso ripetuto) provochi l'inosservanza delle regole di sicurezza per il presente utensile. L'USO IMPROPRIO o la mancata osservanza delle norme di sicurezza contenute in questo manuale può provocare lesioni personali gravi.

DESCRIZIONE FUNZIONALE

⚠ ATTENZIONE:

- Prima di regolare o controllare le funzioni dell'utensile, verificare sempre di averlo spento e scollegato dall'alimentazione.

Blocco dell'albero

⚠ ATTENZIONE:

- Non azionare il blocco dell'albero mentre il mandrino è in movimento. L'utensile potrebbe subire danni. (Fig. 1)
- Premere il blocco dell'albero per evitare la rotazione del mandrino durante l'installazione o la rimozione degli accessori.

Azionamento dell'interruttore

⚠ ATTENZIONE:

- Prima di collegare l'utensile, controllare sempre se l'interruttore scorrevole si attiva correttamente e ritorna alla posizione "OFF" quando il retro dell'interruttore scorrevole non viene più premuto.

- È possibile bloccare l'interruttore nella posizione "ON" per garantire comodità all'operatore durante l'uso prolungato dell'utensile. Prestare attenzione quando si blocca l'utensile nella posizione "ON" e mantenere una presa sicura.

Per avviare l'utensile, spostare l'interruttore scorrevole verso la posizione "I (ON)" premendo la parte posteriore dell'interruttore scorrevole. Per il funzionamento continuo, premere la parte anteriore dell'interruttore scorrevole per bloccarlo. (Fig. 2)

Per fermare l'utensile, premere la parte posteriore dell'interruttore scorrevole, quindi portarlo nella posizione "O (OFF)".

Spia luminosa (Fig. 3)

La spia luminosa diventa verde quando l'utensile è collegato alla presa di corrente. Se la spia non si accende, il cavo di alimentazione o il controller potrebbero essere difettosi. Se la spia si accende ma l'utensile non si avvia nonostante sia acceso, potrebbero essersi usurate le spazzole di carbone oppure il controller, il motore o l'interruttore ON/OFF potrebbero essere difettosi.

Prova di riavvio involontario

L'utensile non funziona con l'interruttore in posizione di blocco anche quando è collegato alla rete elettrica. In questo momento, la spia luminosa diventa rossa e mostra che il dispositivo a prova di riavvio involontario è in funzione.

Per annullare la prova di riavvio involontario, riportare l'interruttore scorrevole in posizione "O (OFF)".

Funzione di avvio morbido

La funzione di avvio morbido permette di rimuovere colpi e scosse iniziali.

MONTAGGIO

⚠ ATTENZIONE:

- prima di iniziare qualsiasi operazione sull'utensile, verificare sempre di averlo spento e scollegato dall'alimentazione.

Installazione dell'impugnatura laterale

⚠ ATTENZIONE:

- Accertarsi sempre che l'impugnatura laterale sia montata correttamente prima di azionare l'utensile.
- Avvitare saldamente l'impugnatura laterale sul punto dell'utensile mostrato nella figura. (Fig. 4)

Installazione o rimozione della protezione del disco (per disco con centro depresso, disco ad alette, disco flessibile, spazzola metallica a disco/disco di taglio abrasivo, disco diamantato)

⚠ AVVERTENZA:

- Durante l'uso di un disco con centro depresso, di un disco ad alette, di un disco flessibile o di una spazzola metallica a disco, la protezione del disco deve essere montata sull'utensile in modo che il lato chiuso della protezione sia sempre rivolto verso l'operatore.

- Se si utilizza un disco di taglio abrasivo/diamantato, accertarsi di utilizzare solo l'apposita protezione del disco progettata per l'uso con i dischi di taglio. (in alcuni paesi europei, se si utilizza un disco diamantato è possibile usare la protezione normale; attenersi alle normative in vigore nel proprio paese).

Per utensili con protezione del disco di tipo leva a morsetto (Fig. 5)

Allentare la vite, quindi tirare la leva nella direzione indicata dalla freccia. Montare la protezione del disco con le sporgenze sulla banda della protezione del disco allineata con le tacche sull'alloggiamento del cuscinetto. Ruotare quindi la protezione del disco a un'angolazione tale da proteggere l'operatore, in base al tipo di lavoro. Tirare la leva nella direzione indicata dalla freccia. Quindi, serrare la protezione del disco stringendo la vite. Serrare la vite fino in fondo. L'angolo di impostazione della protezione disco può essere regolato con la leva. (Fig. 6) Per rimuovere la protezione del disco, attenersi alla procedura di installazione procedendo in senso inverso.

Per utensili con protezione del disco di tipo chiusura con vite (Fig. 7 e 8)

Montare la protezione del disco con le sporgenze sulla banda della protezione del disco allineata con le tacche sull'alloggiamento del cuscinetto. Ruotare quindi la protezione del disco a un'angolazione tale da proteggere l'operatore, in base al tipo di lavoro Serrare la vite fino in fondo.

Per rimuovere la protezione del disco, attenersi alla procedura di installazione procedendo in senso inverso.

Installazione o rimozione del disco con centro depresso o del disco ad alette (accessorio opzionale)

AVVERTENZA:

- Durante l'uso di un disco con centro depresso o di un disco ad alette, la protezione del disco deve essere montata sull'utensile in modo che il lato chiuso della protezione sia sempre rivolto verso l'operatore.

Montare la flangia interna sul mandrino.

Assicurarsi di montare la parte dentata della flangia interna sulla parte dritta sul fondo del mandrino.

Montare il disco o la mola sulla flangia interna e avvitare il controdatto sul mandrino. (Fig. 9)

Per serrare il controdatto, premere saldamente il blocco dell'albero in modo da evitare la rotazione del mandrino, quindi utilizzare l'apposita chiave per serrare il controdatto in senso orario. (Fig. 10)

Per rimuovere il disco, attenersi alla procedura di installazione procedendo in senso inverso.

Superflangia (accessorio opzionale)

I modelli con la lettera F dispongono di una superflangia come dotazione standard. Per svitare il controdatto, applicare una forza pari solo a 1/3 di quella necessaria per il tipo convenzionale.

Installazione o rimozione del disco flessibile (accessorio opzionale)

AVVERTENZA:

- Utilizzare sempre la protezione in dotazione quando sull'utensile è in uso un disco flessibile. Il disco può frantumarsi durante l'uso e la protezione aiuta a ridurre le possibilità di infortuni.

Attenersi alle istruzioni per il disco con centro depresso, utilizzando però anche il cuscinetto in plastica sopra il disco. Fare riferimento alla pagina con l'ordine di montaggio degli accessori di questo manuale. (Fig. 11)

Installazione o rimozione del disco abrasivo (accessorio opzionale)

NOTA:

- Utilizzare soltanto gli accessori di carteggiatura indicati nel presente manuale. Devono essere acquistati separatamente.

Montare il cuscinetto in gomma sul mandrino. Montare il disco sul cuscinetto in gomma e avvitare il controdatto di carteggiatura sul mandrino. Per serrare il controdatto di carteggiatura, premere saldamente il blocco dell'albero in modo da evitare la rotazione del mandrino, quindi utilizzare l'apposita chiave per serrare saldamente il controdatto in senso orario. (Fig. 12)

Per rimuovere il disco, attenersi alla procedura di installazione procedendo in senso inverso.

Installazione o rimozione dell'accessorio del coperchio antipolvere (accessorio opzionale)

AVVERTENZA:

- Prima di montare o smontare l'accessorio del coperchio antipolvere accertarsi sempre che l'utensile sia spento e scollegato. In caso contrario, si potrebbe danneggiare l'utensile o subire lesioni personali.

Esistono tre tipi di accessorio del coperchio antipolvere e ognuno è utilizzato in una delle diverse posizioni. (Fig. 13, 14 e 15)

Posizionare l'accessorio del coperchio antipolvere in modo tale che lo stesso, contrassegnato dalle lettere A, B o C, sia rivolto verso la testa dell'utensile. Spingere i perni dell'accessorio del coperchio antipolvere nell'apertura.

(Fig. 16)

L'accessorio del coperchio antipolvere può essere tolto manualmente.

NOTA:

- Pulire l'accessorio del coperchio antipolvere qualora sia ostruito da polvere o da corpi estranei. Il funzionamento continuato con un accessorio del coperchio antipolvere ostruito può danneggiare l'utensile.

USO

AVVERTENZA:

- Non dovrebbe essere mai necessario forzare l'utensile. Il peso stesso dell'utensile esercita una pressione adeguata. Una forza o una pressione eccessiva possono provocare una rottura pericolosa del disco.
- Sostituire SEMPRE il disco se l'utensile è caduto durante la smerigliatura.
- Non sbattere MAI né fare urtare il disco o la mola contro il pezzo in lavorazione.

- Evitare di fare rimbalzare o urtare il disco, in particolare durante il lavoro negli angoli, sui bordi aguzzi e così via. Questo comportamento potrebbe causare la perdita di controllo e i contraccolpi.
- Non usare MAI l'utensile con lame per il taglio del legno o altre seghe. Se utilizzate con le smerigliatrici, tali lame provocano frequentemente dei contraccolpi, causando perdite di controllo con pericolo di lesioni.

⚠ ATTENZIONE:

- Non accendere l'utensile quando è a contatto con il pezzo in lavorazione, poiché potrebbe causare lesioni all'operatore.
- Indossare sempre occhiali di protezione o uno schermo facciale durante il lavoro.
- Dopo l'uso, spegnere sempre l'utensile e attendere che il disco si fermi completamente prima di riporre l'utensile.
- Tenere sempre saldamente l'utensile con una mano sull'alloggiamento e l'altra sull'impugnatura laterale.

Smerigliatura e carteggiatura (Fig. 17)

Accendere l'utensile e posizionare il disco o la mola sul pezzo in lavorazione.

In linea generale, tenere il bordo del disco o della mola a un angolo di circa 15° rispetto alla superficie del pezzo in lavorazione.

Durante il periodo di rodaggio di un nuovo disco, non spostare la smerigliatrice nella direzione B, poiché taglierebbe il pezzo in lavorazione. Una volta che il bordo del disco è stato arrotondato dall'uso, il disco può essere spostato in entrambe le direzioni A e B.

Funzionamento con il disco di taglio abrasivo/disco diamantato (accessorio opzionale) (Fig. 18)

Per quanto riguarda l'installazione, seguire le istruzioni per il disco con centro depresso.

La direzione di montaggio del controdado e della flangia interna varia in base allo spessore del disco.

Fare riferimento alla tabella seguente (Fig. 19)

⚠ AVVERTENZA:

- Se si utilizza un disco di taglio abrasivo/diamantato, accertarsi di utilizzare solo l'apposita protezione del disco progettata per l'uso con i dischi di taglio. (in alcuni paesi europei, se si utilizza un disco diamantato è possibile usare la protezione normale; attenersi alle normative in vigore nel proprio paese).
- Non utilizzare MAI un disco di taglio per la smerigliatura laterale.
- Non "bloccare" il disco né applicare una pressione eccessiva. Non tentare di praticare un taglio di profondità eccessiva. Una sollecitazione eccessiva del disco aumenta il carico e la predisposizione all'avvitamento o al grippaggio del disco nel taglio e la possibilità di contraccolpi, rotture del disco o surriscaldamento del motore.
- Non avviare l'operazione di taglio nel pezzo in lavorazione. Fare raggiungere al disco la piena velocità e iniziare lentamente a tagliare spostando l'utensile in avanti sulla superficie del pezzo in lavorazione. Se l'utensile viene avviato sul pezzo in lavorazione, il disco potrebbe grippare, sollevarsi o sobbalzare.

- Durante le operazioni di taglio, non modificare mai l'angolazione del disco. Se al disco di taglio viene applicata una pressione laterale (come nella smerigliatura), il disco potrebbe creparsi e rompersi, provocando gravi lesioni personali.
- Un disco diamantato deve essere utilizzato perpendicolarmente al materiale da tagliare.

Funzionamento con la spazzola metallica a coppa (accessorio opzionale)

⚠ ATTENZIONE:

- Per controllare il funzionamento della spazzola, avviare l'utensile a vuoto, assicurandosi che non vi siano persone davanti alla spazzola.
- Non utilizzare spazzole danneggiate o non equilibrate. L'uso di una spazzola danneggiata potrebbe aumentare la possibilità di infortuni dovuti al contatto con i fili rotti della spazzola.

Scollegare l'utensile e posizionarlo capovolto in modo da accedere facilmente al mandrino. Rimuovere eventuali accessori dal mandrino. Avvitare la spazzola metallica a coppa sul mandrino e serrarla con la chiave in dotazione. (Fig. 20)

Durante l'uso della spazzola, evitare di applicare una pressione eccessiva che può causare la piegatura oltre i limiti dei fili, causando rotture premature.

Funzionamento con la spazzola metallica a disco (accessorio opzionale)

⚠ ATTENZIONE:

- Per controllare il funzionamento della spazzola metallica a disco, avviare l'utensile a vuoto, assicurandosi che non vi siano persone davanti alla spazzola.
- Non utilizzare spazzole metalliche a disco danneggiate o non equilibrate. L'uso di una spazzola metallica a disco danneggiata potrebbe aumentare la possibilità di infortuni dovuti al contatto con i fili rotti della spazzola.
- Utilizzare sempre la protezione con le spazzole metalliche a disco, verificando che il diametro del disco possa essere contenuto all'interno della protezione. Il disco può frantumarsi durante l'uso e la protezione aiuta a ridurre le possibilità di infortuni.

Scollegare l'utensile e posizionarlo capovolto in modo da accedere facilmente al mandrino. Rimuovere eventuali accessori dal mandrino. Montare la spazzola metallica a disco sul mandrino e serrarla con le chiavi. (Fig. 21)

Durante l'uso della spazzola metallica a disco, evitare di applicare una pressione eccessiva che può causare la piegatura oltre i limiti dei fili, causando rotture premature.

MANUTENZIONE

⚠ ATTENZIONE:

- prima di effettuare operazioni di ispezione e manutenzione sull'utensile, verificare sempre di averlo spento e scollegato dall'alimentazione.
- Evitare assolutamente di usare benzina, diluenti, solventi, alcol o sostanze simili. In caso contrario, potrebbero verificarsi scoloriture, deformazioni o incrinature.

L'utensile e le aperture di ventilazione devono essere mantenuti puliti. Pulire le aperture di ventilazione dell'utensile regolarmente o quando iniziano a essere ostruite. **(Fig. 22)**

Per mantenere la SICUREZZA e l'AFFIDABILITÀ del prodotto, le riparazioni, l'ispezione e la sostituzione delle spazzole in carbonio e qualsiasi altra operazione di manutenzione o regolazione devono essere eseguiti da un centro di assistenza Makita autorizzato, sempre utilizzando ricambi Makita.

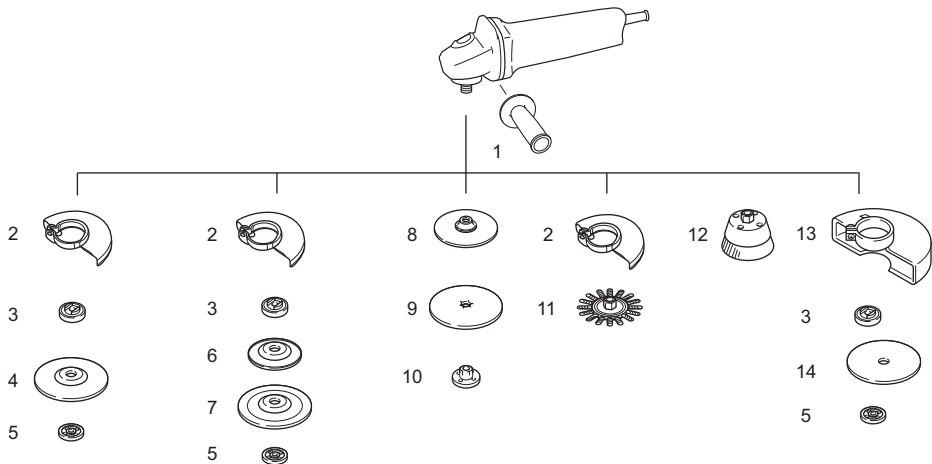
ACCESSORI OPZIONALI

ATTENZIONE:

- Si consiglia l'uso dei seguenti accessori per l'utensile Makita descritto in questo manuale. L'uso di qualsiasi altro accessorio potrebbe provocare lesioni personali. Utilizzare gli accessori esclusivamente per l'uso dichiarato.

Per l'assistenza e per ulteriori informazioni su tali accessori, rivolgersi al centro assistenza Makita di zona.

- Accessorio coperchio antipolvere



	Modello 115 mm (4-1/2")	Modello 125 mm (5")
1	Impugnatura 36	
2	Protezione del disco (per il disco di smerigliatura)	
3	Flangia interna Superflangia	Flangia interna Superflangia
4	Disco con centro depresso/disco ad alette	
5	Controdado	Controdado
6	Cuscinetto in plastica	Cuscinetto in plastica
7	Disco flessibile	Disco flessibile
8	Cuscinetto in gomma 100	Cuscinetto in gomma 115
9	Disco abrasivo	
10	Controdado di carteggiatura	
11	Spazzola metallica a disco	
12	Spazzola metallica a coppa	
13	Protezione del disco (per il disco di taglio)*	
14	Disco di taglio abrasivo/disco diamantato	
-	Chiave per controdadi	

Nota:

* In alcuni paesi europei, se si utilizza un disco diamantato è possibile usare la protezione normale al posto della protezione speciale che copre entrambi i lati del disco. Attenersi alle normative in vigore nel proprio paese.

015258

NOTA:

- Alcuni degli accessori elencati potrebbero essere inclusi nella confezione dell'utensile come accessori standard. Gli accessori standard possono differire da paese a paese.

Rumore

ENG905-1

Il tipico livello di rumore ponderato A è determinato in conformità alla norma EN60745:

Livello di pressione sonora (L_{pA}): 84 dB (A)

Livello di potenza sonora (L_{WA}): 95 dB (A)

Variazione (K): 3 dB (A)

Indossare una protezione acustica.

Vibrazioni

ENG900-1

Il valore totale delle vibrazioni (somma vettoriale triassiale) è determinato in conformità alla norma EN60745:

Modello 9564HR

Modalità di lavoro: smerigliatura della superficie con impugnatura laterale normale

Emissione di vibrazioni ($a_{h,AG}$): 8,5 m/s²

Variazione (K): 1,5 m/s²

Modalità di lavoro: smerigliatura della superficie con impugnatura laterale anti-vibrazioni

Emissione di vibrazioni ($a_{h,AG}$): 8,0 m/s²

Variazione (K): 1,5 m/s²

Modalità di lavoro: smerigliatura con disco
Emissione di vibrazioni ($a_{h,DS}$): 2,5 m/s² o inferiore
Variazione (K): 1,5 m/s²

Modello 9565HR

Modalità di lavoro: smerigliatura della superficie con
impugnatura laterale normale
Emissione di vibrazioni ($a_{h,AG}$): 9,0 m/s²
Variazione (K): 1,5 m/s²

Modalità di lavoro: smerigliatura della superficie con
impugnatura laterale anti-vibrazioni
Emissione di vibrazioni ($a_{h,AG}$): 7,5 m/s²
Variazione (K): 1,5 m/s²

Modalità di lavoro: smerigliatura con disco
Emissione di vibrazioni ($a_{h,DS}$): 2,5 m/s² o inferiore
Variazione (K): 1,5 m/s²

Il documento tecnico ai sensi della Direttiva europea
2006/42/EC è disponibile presso:
Makita, Jan-Baptist Vinkstraat 2, 3070, Belgio

28. 5. 2014



Yasushi Fukaya
Direttore

Makita, Jan-Baptist Vinkstraat 2, 3070, Belgio

ENG902-1

- Il valore di emissione delle vibrazioni dichiarato è stato misurato in conformità con il metodo di test standard e può essere utilizzato per confrontare tra loro diversi utensili.
- Il valore di emissione delle vibrazioni dichiarato può anche essere utilizzato per stime preliminari dell'esposizione.
- Il valore dell'emissione delle vibrazioni dichiarato è utilizzato per le applicazioni principali dello strumento. Tuttavia, se lo strumento viene utilizzato per altre applicazioni, il valore dell'emissione delle vibrazioni potrebbe essere diverso.

⚠ AVVERTENZA:

- L'emissione delle vibrazioni durante l'uso effettivo dell'utensile elettrico può risultare diversa rispetto al valore dichiarato, in base alla modalità d'uso dell'utensile.
- Assicurarsi di individuare le necessarie misure di sicurezza per proteggere l'operatore in base a una stima dell'esposizione nelle condizioni reali di utilizzo (prendendo in considerazione tutte le fasi del ciclo operativo, come quante volte l'utensile viene spento e i periodi in cui rimane inattivo, oltre al tempo di avviamento).

Solo per i paesi europei

ENH101-18

Dichiarazione di conformità CE

Makita dichiara che le macchine seguenti:

Denominazione dell'utensile:

Smerigliatrice angolare

N. modello/Tipo: 9564HR, 9565HR

sono conformi alle seguenti direttive europee:

2006/42/EC

Sono prodotte in conformità agli standard o ai documenti standardizzati riportati di seguito:

EN60745

NEDERLANDS (Originele instructies)

Verklaring van het onderdelenoverzicht

1. Asvergrendeling	11. Borgmoersleutel	22. Doorslijpschijf of diamantschijf
2. Aan-uitschakelaar	12. Flexschijf	23. Beschermpak voor doorslijpschijf of diamantschijf
3. Bedrijfslampje	13. Kunststofrugschijf	24. Doorslijpschijf
4. Beschermpak	14. Borgmoer voor schuren	25. Diamantschijf
5. Lagerhuis	15. Schuurschijf	26. Dikte: minder dan 4 mm (5/32")
6. Schroef	16. Rubberen rugschijf	27. Dikte: 4 mm (5/32") of meer
7. Hendel	17. Markering A	28. Komvormige draadborstel
8. Borgmoer	18. Markering B	29. Schijfvormige draadborstel
9. Schijf met een verzonken middengat	19. Markering C	30. Luchtuitlaatopening
10. Binnenflens	20. Pen	31. Luchtinlaatopening
	21. Ventilatieopening	

TECHNISCHE GEGEVENS

Model	9564HR	9565HR
Schijfdiameter	115 mm (4-1/2")	125 mm (5")
Max. schijfdikte	6,4 mm	
Asschroefdraad	M14 of 5/8" (afhankelijk van het land)	
Nominaal toerental (n)/Nullasttoerental (n ₀)	12.000 min ⁻¹	
Totale lengte	299 mm	
Nettogewicht	2,3 kg	2,4 kg
Veiligheidsklasse	□/II	

- Als gevolg van ons doorlopende onderzoeks- en ontwikkelingsprogramma, zijn de technische gegevens van dit gereedschap onderhevig aan veranderingen zonder voorafgaande kennisgeving.
- De technische gegevens kunnen van land tot land verschillen.
- Gewicht volgens EPTA-procedure 01/2003


Gebruiksdoeleinden ENE048-1

Het gereedschap is bedoeld voor het slijpen, schuren en doorslijpen van metaal en steen zonder gebruik van water.

Voeding ENF002-2

Het gereedschap mag uitsluitend worden aangesloten op een voeding met dezelfde spanning als aangegeven op het typeplaatje en werkt alleen op enkele-fase wisselstroom. Het gereedschap is dubbel geïsoleerd en mag derhalve ook op een niet-geaard stopcontact worden aangesloten.

Algemene veiligheids waarschuwingen voor elektrisch gereedschap GEA010-1

 **WAARSCHUWING** Lees alle veiligheids waarschuwingen en alle instructies. Het niet volgen van de waarschuwingen en instructies kan leiden tot elektrische schokken, brand en/of ernstig letsel.

Bewaar alle waarschuwingen en instructies om in de toekomst te kunnen raadplegen.

VEILIGHEIDSWAARSCHUWINGEN SPECIFIEK VOOR EEN SLIJPMACHINE GEB033-7

Gemeenschappelijke veiligheids waarschuwingen voor slijp-, schuur-, draadborstel- en doorslijpwerkzaamheden:

1. **Dit elektrisch gereedschap is bedoeld voor gebruik als slijp-, schuur-, draadborstel- of doorslijpgereedschap. Lees alle veiligheids waarschuwingen, instructies, afbeeldingen en technische gegevens die bij dit elektrisch gereedschap worden geleverd.** Als u nalaat alle onderstaande instructies te volgen, kan dit leiden tot een elektrische schok, brand en/of ernstig letsel.
2. **Werkzaamheden zoals polijsten worden niet aangeraden met dit elektrisch gereedschap.** Werkzaamheden waarvoor dit elektrisch gereedschap niet is bedoeld kunnen gevaarlijke situaties opleveren en tot persoonlijk letsel leiden.
3. **Gebruik geen accessoires die niet specifiek zijn ontworpen en aanbevolen door de fabrikant van het gereedschap.** Ook wanneer het accessoire kan worden bevestigd op uw elektrisch gereedschap, is een veilige werking niet gegarandeerd.
4. **Het nominaal toerental van het accessoire moet minstens gelijk zijn aan het maximumtoerental vermeld op het elektrisch gereedschap.** Accessoires die met een hoger toerental draaien dan

hun nominaal toerental kunnen stuk breken en in het rond vliegen.

5. **De buitendiameter en de dikte van het accessoire moet binnen het capaciteitsbereik van het elektrisch gereedschap vallen.** Accessoires met verkeerde afmetingen kunnen niet afdoende worden afgeschermd of beheerst.
6. **Als accessoires met schroefdraadbevestiging worden aangebracht, moet de schroefdraad overeenkomen met de schroefdraad op de as van de slijpmachine. Als accessoires met flensbevestiging worden aangebracht, moet het asgat van het accessoire overeenkomen met de diameter van de pasrand op de flens.** Accessoires die niet overeenkomen met de bevestigingshardware van het elektrisch gereedschap, zullen niet gebalanceerd draaien en buitensporig trillen, en kunnen leiden tot verlies van controle over het gereedschap.
7. **Gebruik nooit een beschadigd accessoire. Inspecteer het accessoire vóór ieder gebruik, bijvoorbeeld een slijpschijf op ontbrekende schilfers en barsten; een rugschijf op barsten, scheuren of buitensporige slijtage; en een draadborstel op losse of gebarsten draden. Nadat het elektrisch gereedschap is gevallen, inspecteert u het op schade of monteert u een onbeschadigd accessoire. Na inspectie en montage van een accessoire, zorgt u ervoor dat u en omstanders niet in het rotatie vlak van het accessoire staan, en laat u het elektrisch gereedschap draaien op het maximaal, onbelast toerental gedurende één minuut.** Beschadigde accessoire breken normaal gesproken in stukken gedurende deze testduur.
8. **Gebruik persoonlijke-veiligheidsmiddelen. Afhankelijk van de toepassing gebruikt u een gezichtsscherm, een beschermende bril of een veiligheidsbril. Al naar gelang van toepassing draagt u een stofmasker, gehoorbeschermers, handschoenen en een werkschort die in staat zijn kleine stukjes slijpsel of werkstukfragmenten te weerstaan.** De oogbescherming moet in staat zijn rondvliegend afval te stoppen dat ontstaat bij de diverse werkzaamheden. Het stofmasker of ademhalingsapparaat moet in staat zijn deeltjes te filteren die ontstaan bij de werkzaamheden. Langdurige blootstelling aan zeer intens geluid kan leiden tot gehoorbeschadiging.
9. **Houd omstanders op veilige afstand van het werkgebied. Iedereen die zich binnen het werkgebied begeeft, moet persoonlijke-veiligheidsmiddelen gebruiken.** Fragmenten van het werkstuk of van een uiteengevallen accessoire kunnen rondvliegen en letsel veroorzaken buiten de onmiddellijke werkomgeving.
10. **Houd elektrisch gereedschap uitsluitend vast aan het geïsoleerde oppervlak van de handgrepen wanneer u werkt op plaatsen waar het slijpaccessoire met verborgen bedrading of zijn eigen snoer in aanraking kan komen.** Wanneer het accessoire in aanraking komen met onder spanning staande draden, zullen de niet-geïsoleerde metalen delen van het gereedschap onder spanning komen te

staan zodat de gebruiker een elektrische schok kan krijgen.

11. **Houd het snoer goed uit de buurt van het ronddraaiende accessoire.** Als u de controle verliest over het gereedschap, kan het snoer worden doorgesneden of bekneld raken, en kan uw hand of arm tegen het ronddraaiende accessoire worden aangetrokken.
12. **Leg het elektrisch gereedschap nooit neer voordat het accessoire volledig tot stilstand is gekomen.** Het ronddraaiende accessoire kan de ondergrond pakken zodat u de controle over het elektrisch gereedschap verliest.
13. **Laat het elektrisch gereedschap niet draaien terwijl u het naast u draagt.** Als het ronddraaiende accessoire u per ongeluk raakt, kan het verstrikt raken in uw kleding waardoor het accessoire in uw lichaam wordt getrokken.
14. **Maak de ventilatieopeningen van het gereedschap regelmatig schoon.** De ventilator van de motor zal het stof de behuizing in trekken, en een grote opeenhoping van metaalslijpsel kan leiden tot elektrisch gevaarlijke situaties.
15. **Gebruik het elektrisch gereedschap niet in de buurt van brandbare materialen.** Vonken kunnen deze materialen doen ontvlammen.
16. **Gebruik geen accessoires die met vloeistof moeten worden gekoeld.** Het gebruik van water of andere vloeibare koelmiddelen kan leiden tot elektrocutie of elektrische schokken.

Terugslag en aanverwante waarschuwingen

Terugslag is een plotselinge reactie op een beknelde of vastgelopen draaiende schijf, rugschijf, borstel of enig ander accessoire. Beknellen of vastlopen veroorzaakt een snelle stilstand van het draaiende accessoire dat op zijn beurt ertoe leidt dat het elektrisch gereedschap zich ongecontroleerd beweegt in de tegenovergestelde richting van de draairichting van het accessoire op het moment van vastlopen.

Bijvoorbeeld, als een slijpschijf bekneld raakt of vastloopt in het werkstuk, kan de rand van de schijf die het beknellingspunt ingaat, zich invreten in het oppervlak van het materiaal waardoor de schijf eruit klimt of eruit slaat. De schijf kan daarbij naar de gebruiker toe of weg springen, afhankelijk van de draairichting van de schijf op het beknellingspunt. Slijpschijven kunnen in dergelijke situaties ook breken.

Terugslag is het gevolg van misbruik van het elektrisch gereedschap en/of onjuiste gebruiksprocedures of -omstandigheden, en kan worden voorkomen door goede voorzorgsmaatregelen te treffen, zoals hieronder vermeld:

- a) **Houd het gereedschap stevig vast en houdt uw armen en lichaam zodanig dat u in staat bent een terugslag op te vangen. Gebruik altijd de extra handgreep (indien aanwezig) voor een maximale controle over het gereedschap in geval van terugslag en de koppelreactiekrachten bij het starten.** De gebruiker kan een terugslag of de koppelreactiekrachten opvangen indien de juiste voorzorgsmaatregelen worden getroffen.
- b) **Plaats uw hand nooit in de buurt van het draaiende accessoire.** Het accessoire kan terugslaan over uw hand.

c) **Plaats uw lichaam niet in het gebied waar het elektrisch gereedschap naar toe gaat wanneer een terugslag optreedt.** Een terugslag zal het gereedschap bewegen in de tegenovergestelde richting van de draairichting van de schijf op het moment van beknellen.

d) **Wees bijzonder voorzichtig bij het werken met hoeken, scherpe randen, enz. Voorkom dat het accessoire springt of bekneld raakt.** Hoeken, scherpe randen of springen veroorzaken vaak beknellen van het draaiende accessoire wat leidt tot terugslag of verlies van controle over het gereedschap.

e) **Bevestig geen houtbewerkingsblad van een zaagketting of getand zaagblad.** Dergelijke bladen leiden vaak tot terugslag of verlies van controle over het gereedschap.

Veiligheidswaarschuwingen specifiek voor slijp- en doorslijpwerkzaamheden:

a) **Gebruik uitsluitend schijven van het type aanbevolen voor uw elektrisch gereedschap en de specifieke beschermkap voor de te gebruiken schijf.** Schijven waarvoor het elektrisch gereedschap niet is ontworpen, kunnen niet goed worden afgeschermd en zijn niet veilig.

b) **Het slijpvlak van slijpschijven met een verzonken middengat moet lager liggen dan het vlak van de lip op de beschermkap.** Een onjuist aangebrachte schijf die uitsteekt door het vlak van de lip op de beschermkap kan niet afdoende worden beschermd.

c) **De beschermkap moet stevig worden vastgezet aan het elektrisch gereedschap en in de maximaal beschermende stand worden gezet zodat het kleinst mogelijke deel van de schijf is blootgesteld in de richting van de gebruiker.** De beschermkap helpt de gebruiker te beschermen tegen afgebroken stukjes van de schijf, het per ongeluk aanraken van de schijf en vonken die kleding kunnen doen ontvlammen.

d) **De schijven mogen uitsluitend worden gebruikt voor de aanbevolen toepassingen. Bijvoorbeeld: u mag niet slijpen met de zijkant van een doorslijpschijf.** Doorslijpschijven zijn bedoeld voor slijpen met de rand. Krachten op het zijoppervlak kunnen deze schijven doen breken.

e) **Gebruik altijd onbeschadigde schijfflenzen van de juiste afmetingen en vorm voor de te gebruiken schijf.** Een goede schijfflenzen ondersteunt de schijf en verkleint daarmee de kans op het breken van de schijf. Flenzen voor doorslijpschijven kunnen verschillen van flenzen voor slijpschijven.

f) **Gebruik geen afgesleten schijven van grotere elektrische gereedschappen.** Schijven die zijn bedoeld voor grotere elektrische gereedschappen zijn niet geschikt voor de hogere snelheid van een kleiner elektrisch gereedschap en kunnen in stukken breken.

Aanvullende veiligheidswaarschuwingen specifiek voor doorslijpwerkzaamheden:

a) **Laat de doorslijpschijf niet vastlopen en oefen geen buitensporige druk uit. Vastbeer niet een buitensporig diepe snede te slijpen.** Een te grote kracht op de schijf verhoogt de belasting en de kans dat de schijf in de snede verdraait of vastloopt,

waardoor terugslag kan optreden of de schijf kan breken.

b) **Plaats uw lichaam niet in één lijn achter de ronddraaiende schijf.** Wanneer de schijf, op het aangrijppunt in het werkstuk, zich van uw lichaam af beweegt, kunnen door de mogelijke terugslag de ronddraaiende schijf en het elektrisch gereedschap in uw richting worden geworpen.

c) **Wanneer de schijf vastloopt of u het slijpen onderbreekt, schakelt u het elektrisch gereedschap uit en houdt u dit stil totdat de schijf volledig tot stilstand is gekomen. Probeer nooit de doorslijpschijf uit de snede te halen terwijl de schijf nog draait omdat hierdoor een terugslag kan optreden.** Onderzoek waarom de schijf is vastgelopen en tref afdoende maatregelen om de oorzaak ervan op te heffen.

d) **Begin niet met doorslijpen terwijl de schijf al in het werkstuk steekt. Wacht totdat de schijf de volle snelheid heeft bereikt en breng daarna de schijf voorzichtig terug in de snede.** Wanneer het elektrisch gereedschap opnieuw wordt gestart terwijl de schijf al in het werkstuk steekt, kan de schijf vastlopen, omhoog lopen of terugslaan.

e) **Ondersteun platen en grote werkstukken om de kans op het beknellen van de schijf en terugslag te minimaliseren.** Grote werkstukken neigen door te zakken onder hun eigen gewicht. U moet het werkstuk ondersteunen vlakbij de snijlijn en vlakbij de rand van het werkstuk aan beide kanten van de schijf.

f) **Wees extra voorzichtig bij blind slijpen in bestaande wanden of op andere plaatsen.** De uitstekende schijf kan gas- of waterleidingen, elektrische bedrading of voorwerpen die terugslag veroorzaken raken.

Veiligheidswaarschuwingen specifiek voor schuurwerkzaamheden:

a) **Gebruik geen veel te grote schuurpapier schijven. Volg de aanwijzingen van de fabrikant bij uw keuze van het schuurpapier.** Te groot schuurpapier dat uitsteekt tot voorbij de rand van het schuurkussen levert snijgevaar op en kan beknellen of scheuren van de schuurpapier schijf of terugslag veroorzaken.

Veiligheidswaarschuwingen specifiek voor draadborstelwerkzaamheden:

a) **Wees erop bedacht dat ook tijdens normaal gebruik borstelraden door de borstel worden rondgeslingerd. Oefen niet te veel kracht uit op de borstelraden door een te hoge belasting van de borstel.** De borstelraden kunnen met gemak door dunne kleding en/of de huid dringen.

b) **Als het gebruik van een beschermkap wordt aanbevolen voor draadborstelen, zorgt u ervoor dat de draadschijf of draadborstel niet in aanraking komt met de beschermkap.** De draadschijf of draadborstel kan in diameter toenemen als gevolg van de werkbelasting en centrifugale krachten.

Aanvullende veiligheidswaarschuwingen:

17. **Bij gebruik van een slijpschijf met een verzonken middengat, mag u uitsluitend met glasvezel versterkte schijven gebruiken.**

18. **GEBRUIK NOOIT** een stenen komschijf op deze slijpmachine. Deze slijpmachine is niet ontworpen voor dit type schijven en het gebruik ervan kan leiden tot ernstig persoonlijk letsel.
19. **Let erop dat u de as, de flens (met name de montagekant) en de borgmoer niet beschadigt. Als deze onderdelen beschadigd raken, kan de schijf breken.**
20. **Zorg ervoor dat de schijf niet in aanraking is met het werkstuk voordat u het gereedschap hebt ingeschakeld.**
21. **Laat het gereedschap een tijdje draaien voordat u het werkstuk gaat zagen. Controleer op trillingen of schommelingen die op onjuiste montage of een slecht uitgebalanceerd schijf kunnen wijzen.**
22. **Gebruik de aangegeven kant van de schijf om mee te slijpen.**
23. **Laat het gereedschap niet ingeschakeld liggen. Bedien het gereedschap alleen wanneer u het vasthoudt.**
24. **Raak de schijf niet onmiddellijk na gebruik aan. Deze kan bijzonder heet zijn en brandwonden op uw huid veroorzaken.**
25. **Houd u aan de instructies van de fabrikant voor juiste montage en gebruik van de schijven. Behandel en bewaar de schijven zorgvuldig.**
26. **Gebruik niet afzonderlijke kleinbussen of adapterringen om slijpschijven met een groot middengat te kunnen monteren.**
27. **Gebruik uitsluitend flenzen die geschikt zijn voor dit gereedschap.**
28. **Voor gereedschappen waarop schijven met schroefdraad in het middengat kunnen worden gemonteerd, controleert u dat de schroefdraad van de schijf lang genoeg is voor de lengte van de as.**
29. **Controleer dat het werkstuk goed wordt ondersteund.**
30. **Wees erop bedacht dat de schijf blijft doordraaien nadat het gereedschap is uitgeschakeld.**
31. **Als de werkrimte bijzonder heet en vochtig is, of sterk vervuild is met geleidend stof, gebruik dan een kortsluitonderbreker (30 mA) om de veiligheid van de gebruiker te garanderen.**
32. **Gebruik het gereedschap niet op materiaal dat asbest bevat.**
33. **Bij gebruik van een doorslijpschijf, gebruikt u altijd de stofbeschermkap, zoals vereist door plaatselijke regelgeving.**
34. **Doorslijpschijven mogen niet worden blootgesteld aan enige laterale druk.**

BEWAAR DEZE INSTRUCTIES.

WAARSCHUWING:

Laat u NIET misleiden door een vals gevoel van comfort en bekendheid met het gereedschap (na veelvuldig gebruik) en neem alle veiligheidsvoorschriften van het betreffende product altijd strikt in acht. **VERKEERD GEBRUIK** of het niet volgen van de veiligheidsinstructies in deze gebruiksaanwijzing kan leiden tot ernstig persoonlijk letsel.

BESCHRIJVING VAN DE FUNCTIES

LET OP:

- Controleer altijd of het gereedschap is uitgeschakeld en de stekker uit het stopcontact is getrokken alvorens de functies van het gereedschap te controleren of af te stellen.

Asvergrendeling

LET OP:

- Bedien de asvergrendeling nooit terwijl de as nog draait. Het gereedschap kan hierdoor worden beschadigd (zie afb. 1).

Druk op de asvergrendeling om te voorkomen dat de as kan draaien tijdens het monteren of verwijderen van schijven of accessoires.

Werking van de aan-uitschakelaar

LET OP:

- Controleer altijd, voordat u het gereedschap aansluit op het elektriciteitsnet, of de aan-uitschakelaar op de juiste manier schakelt en weer terugkeert naar de uitstand, wanneer achter op de aan-uitschakelaar wordt gedrukt.
- De aan-uitschakelaar kan worden vergrendeld in de aan-stand ten behoeve van het gebruikersgemak bij langdurig gebruik. Wees voorzichtig wanneer het gereedschap in de aan-stand is vergrendeld en houd het gereedschap stevig vast.

Om het gereedschap in te schakelen, schuift u de aan-uitschakelaar naar de stand "I" (aan) door tegen de achterkant van de aan-uitschakelaar te duwen. Om het gereedschap continu te laten werken, drukt u op de voorkant van de aan-uitschakelaar om deze te vergrendelen (zie afb. 2).

Om het gereedschap te stoppen, drukt u op de achterkant van de aan-uitschakelaar en schuift u deze naar de stand "O" (uit).

Bedrijfslampje (zie afb. 3)

Het bedrijfslampje gaat branden zodra de stekker van het gereedschap in een stopcontact wordt gestoken. Als het lampje niet brandt, kan het netsnoer beschadigd zijn of de sturing defect. Als het lampje brandt, maar het gereedschap niet start, zelfs niet wanneer de schuifknop in de aan-stand wordt gezet, kunnen de koolborstels versleten zijn, of kunnen de motor, de sturing, of de schuifknop defect zijn.

Onbedoelde herstartpreventie

Het gereedschap start niet met de schuifknop op aan, ook niet als de stekker in het stopcontact wordt gestoken. Op dit moment knippert het bedrijfslampje rood ten teken dat de onbedoelde herstartpreventie werkt. Hef de onbedoelde herstartpreventie op door de aan-uitschakelaar naar de stand "O" (uit) terug te schuiven en dan los te laten.

Zachte-startfunctie

De zachte-startfunctie onderdrukt de startschok.

DE ONDERDELEN MONTEREN

LET OP:

- Controleer altijd of het gereedschap is uitgeschakeld en de stekker uit het stopcontact is getrokken alvorens enige werkzaamheden aan het gereedschap uit te voeren.

De zijhandgreep monteren (handvat)

LET OP:

- Controleer altijd voor gebruik dat de zijhandgreep stevig vastzit.

Draai de zijhandgreep vast op het gereedschap in een van de standen aangegeven in de afbeelding (zie **afb. 4**).

De beschermkap aanbrengen en verwijderen (voor schijf met een verzonken middengat, lamellenschijf, flexischijf, schijfvormige draadborstel, doorslijpschijf, diamantschijf)

WAARSCHUWING:

- Bij gebruik van een slijpschijf met een verzonken middengat, lamellenschijf, flexischijf of schijfvormige draadborstel moet de beschermkap zodanig op het gereedschap worden gemonteerd dat de gesloten zijde van de kap altijd naar de gebruiker is gekeerd.
- Wanneer u een doorslijpschijf of diamantschijf gebruikt, moet u altijd een beschermkap gebruiken die speciaal ontworpen is voor gebruik met doorslijpschijven. (In sommige Europese landen kan bij gebruik van een diamantschijf de normale beschermkap worden gebruikt. Houd u aan de regelgeving in uw land.)

Voor gereedschap met beschermkap type klemhendel (zie **afb. 5**)

Draai de schroef los en trek daarna de hendel in de richting van de pijl. Monteer de beschermkap met de uitsteeksels op de beschermkaprand uitgelijnd met de inkepingen in het lagerhuis. Draai vervolgens de beschermkap naar een dusdanige hoek dat deze de gebruiker beschermt tijdens de werkzaamheden. Trek de hendel in de richting van de pijl. Zet daarna de beschermkap vast door de schroef aan te draaien. Draai tenslotte de schroef stevig vast. U kunt de instelhoek van de beschermkap aanpassen met de hendel (zie **afb. 6**). Om de beschermkap te verwijderen, volgt u de procedure in omgekeerde volgorde.

Voor gereedschap met een beschermkap met een borgschroef (zie **afb. 7 en 8**)

Monteer de beschermkap met de uitsteeksels op de beschermkaprand uitgelijnd met de inkepingen in het lagerhuis. Draai vervolgens de beschermkap naar een dusdanige hoek dat deze de gebruiker beschermt tijdens de werkzaamheden. Draai tenslotte de schroef stevig vast.

Om de beschermkap te verwijderen, volgt u de procedure in omgekeerde volgorde.

Een schijf met een verzonken middengat of een lamellenschijf (optioneel accessoire) aanbrengen en verwijderen

WAARSCHUWING:

- Bij gebruik van een slijpschijf met een verzonken middengat of een lamellenschijf, moet de beschermkap zodanig op het gereedschap worden gemonteerd dat de gesloten zijde van de kap altijd naar de gebruiker is gekeerd.

Breng de binnenflens aan op de as.

Zorg ervoor dat het ingedeukte deel van de binnenflens wordt aangebracht op het rechte deel onderaan de as.

Monteer de schijf op de binnenflens en schroef de borgmoer op de as (zie **afb. 9**).

Om de borgmoer vast te draaien, drukt u de asvergrendeling stevig in zodat de as niet kan draaien, en gebruikt u vervolgens de borgmoersleutel om de borgmoer stevig rechtsom vast te draaien (zie **afb. 10**).

Om de schijf te verwijderen, volgt u de procedure in omgekeerde volgorde.

Superflens (optioneel accessoire)

Modellen voorzien van de letter F zijn standaard uitgerust met een superflens. In vergelijking met een conventionele flens, is hierbij slechts 1/3 van de kracht nodig om de borgmoer los te draaien.

Een flexischijf (optioneel accessoire) aanbrengen of verwijderen

WAARSCHUWING:

- Gebruik altijd de bijgeleverde beschermkap wanneer u met een flexischijf werkt. De schijf kan tijdens het gebruik kapotslaan en de beschermkap helpt verwondingen voorkomen.

Houd u aan de instructies voor een schijf met een verzonken middengat, maar gebruik tevens een kunststofrugschijf onder de schijf. Raadpleeg de volgorde van aanbrengen op de accessoire-pagina in deze gebruiksaanwijzing (zie **afb. 11**).

Een schuurschijf (optioneel accessoire) aanbrengen of verwijderen

OPMERKING:

- Gebruik uitsluitend schuuraccessoires die in deze gebruiksaanwijzing worden aangegeven. Deze dienen apart te worden aangeschaft.

Breng de rubberen rugschijf aan op de as. Breng de schijf aan op de rubberen rugschijf en draai de borgmoer voor schuren op de as. Om de borgmoer voor schuren vast te draaien, drukt u de asvergrendeling stevig in zodat de as niet kan draaien, en gebruikt u vervolgens de borgmoersleutel om de borgmoer stevig rechtsom vast te draaien (zie **afb. 12**).

Om de schuurschijf te verwijderen, volgt u de procedure in omgekeerde volgorde.

Stofroosters aanbrengen en verwijderen (optioneel accessoire)

WAARSCHUWING:

- Controleer altijd of het gereedschap is uitgeschakeld en de stekker uit het stopcontact is getrokken alvorens de stofroosters aan te brengen of te verwijderen. Als u dit niet doet, kan dit leiden tot beschadiging van het gereedschap of persoonlijk letsel.

Er zijn drie soorten stofroosters die elk in een andere positie worden gebruikt (zie afb. 13, 14 en 15).

Plaats de stofroosters zodanig dat de zijde van het stofrooster met de markering (A, B of C) naar de voorkant van het gereedschap is gericht. Klik de pennen van het stofrooster in de ventilatieopening (zie afb. 16).

Het stofrooster kan met de hand worden verwijderd.

OPMERKING:

- Maak het stofrooster schoon wanneer het verstopt raakt met stof en vreemde stoffen. Doorwerken met een verstopt stofrooster kan het gereedschap beschadigen.

BEDIENING

WAARSCHUWING:

- Het moet nooit nodig zijn om grote kracht uit te oefenen op het gereedschap. Het gewicht van het gereedschap zorgt al voor voldoende druk op het werkstuk. Grote kracht en hoge druk uitoefenen kunnen ertoe leiden dat de schijf breekt. Dit is zeer gevaarlijk.
- Vervang de schijf ALTIJD als het gereedschap tijdens het slijpen is gevallen.
- Stoot of sla NOOIT met de slijpschijf tegen het werkstuk.
- Voorkom dat de schijf over het werkstuk huppelt of bekneld raakt tijdens het werken in hoeken, op scherpe randen, enz. Hierdoor kunt u de controle over het gereedschap verliezen of kan terugslag worden veroorzaakt.
- Gebruik het gereedschap NOOIT met zaagbladen en dergelijke. Als dergelijke zaagbladen op een slijpmachine worden gebruikt, verspringen ze veelal waardoor u de controle over het gereedschap verliest en persoonlijk letsel kan ontstaan.

LET OP:

- Schakel het gereedschap nooit in terwijl deze het werkstuk raakt omdat hierdoor de gebruiker kan worden verwond.
- Draag tijdens het gebruik altijd een veiligheidsbril of spatscherm.
- Schakel na gebruik altijd het gereedschap uit en wacht totdat de schijf volledig tot stilstand is gekomen alvorens het gereedschap neer te leggen.
- Houd het gereedschap altijd stevig vast met een hand op de behuizing en de andere hand aan de zijhandgreep.

Gebruik als slijpmachine of schuurmachine (zie afb. 17)

Schakel het gereedschap in en breng daarna de schijf in aanraking met het werkstuk.

In het algemeen geldt: houd de rand van de schijf onder een hoek van ongeveer 15° op het oppervlak van het werkstuk.

Tijdens de inlooperperiode van een nieuwe schijf, mag u de slijpmachine niet in de richting van pijl B gebruiken omdat de schijf dan in het werkstuk zal snijden. Nadat de rand van de schijf is afgerond door gebruik, kunt u de schijf in de richting van zowel pijl A als B gebruiken.

Gebruik met doorslijpschijf of diamantschijf (optioneel accessoire) (zie afb. 18)

Volg voor het aanbrengen de instructies voor schijf met verzonken middengat.

De montagerichting van de borgmoer en binnenflens verschilt afhankelijk van de dikte van de schijf.

Raadpleeg het onderstaande overzicht (zie afb. 19).

WAARSCHUWING:

- Wanneer u een doorslijpschijf of diamantschijf gebruikt, moet u altijd een beschermkap gebruiken die speciaal ontworpen is voor gebruik met doorslijpschijven. (In sommige Europese landen kan bij gebruik van een diamantschijf de normale beschermkap worden gebruikt. Houd u aan de regelgeving in uw land.)
- Gebruik NOOIT een doorslijpschijf om zijdelings mee te slijpen.
- Laat de schijf niet vastlopen en oefen geen buitensporige druk uit. Probeer niet een buitensporig diepe snede te slijpen. Een te grote kracht op de schijf verhoogt de belasting en de kans dat de schijf in de snede verdraait of vastloopt, waardoor terugslag kan optreden, de schijf kan breken of de motor oververhit kan raken.
- Begin niet met doorslijpen terwijl de schijf al in het werkstuk steekt. Laat de schijf eerst de volle snelheid bereiken en breng daarna de schijf voorzichtig in de snede door het gereedschap naar voren over het werkstukoppervlak te bewegen. Wanneer het elektrisch gereedschap wordt gestart terwijl de schijf al in het werkstuk steekt, kan de schijf vastlopen, omhoog lopen of terugslaan.
- Tijdens het doorslijpen mag u nooit de hoek van de schijf veranderen. Door zijdelingse druk uit te oefenen op de doorslijpschijf (zoals bij slijpen), zal de schijf barsten en breken waardoor ernstig persoonlijk letsel wordt veroorzaakt.
- Een diamantschijf moet haaks op het door te slijpen werkstuk worden gebruikt.

Gebruik met een komvormige draadborstel (optioneel accessoire)

LET OP:

- Controleer de werking van de draadborstel door het gereedschap onbelast te laten draaien terwijl u erop let dat niemand vóór of in één lijn met de draadborstel staat.
- Gebruik de draadborstel niet wanneer deze beschadigd is of onbalans heeft. Het gebruik van een beschadigde draadborstel verhoogt de kans op verwonding door aanraking van afgebroken borsteldraadjes.

Trek de stekker uit het stopcontact en leg het gereedschap ondersteboven zodat u goed bij de as kan. Verwijder het accessoire vanaf de as. Draai de komvormige draadborstel op de as en draai hem vast met behulp van de bijgeleverde sleutel (zie afb. 20). Voorkom tijdens gebruik van de draadborstel te veel druk waardoor de draadjes te veel verbuigen en daardoor te vroeg afbreken.

Gebruik met een schijfvormige draadborstel (optioneel accessoire)

LET OP:

- Controleer de werking van de schijfvormige draadborstel door het gereedschap onbelast te laten draaien terwijl u erop let dat niemand vóór of in één lijn met de schijfvormige draadborstel staat.
- Gebruik de schijfvormige draadborstel niet wanneer deze beschadigd is of onbalans heeft. Het gebruik van een beschadigde schijfvormige draadborstel verhoogt de kans op verwonding door aanraking van afgebroken borsteldraadjes.
- Gebruik bij de schijfvormige draadborstel ALTIJD de beschermkap, waarbij de buitendiameter van de schijfvormige draadborstel binnenin de beschermkap moet vallen. De schijf kan tijdens het gebruik kapotslaan en de beschermkap helpt verwondingen voorkomen.

Trek de stekker uit het stopcontact en leg het gereedschap ondersteboven zodat u goed bij de as kan. Verwijder het accessoire vanaf de as. Draai de schijfvormige draadborstel op de as en zet hem vast met de sleutels (zie afb. 21). Voorkom tijdens gebruik van de schijfvormige draadborstel te veel druk waardoor de draadjes te veel verbuigen en daardoor te vroeg afbreken.

ONDERHOUD

LET OP:

- Zorg er altijd voor dat het gereedschap is uitgeschakeld en de stekker uit het stopcontact is getrokken, voordat u een inspectie of onderhoud uitvoert.
- Gebruik nooit benzine, wasbenzine, thinner, alcohol, enz. Dit kan leiden tot verkleuren, vervormen of barsten.

Het gereedschap en de luchtinlaat- en luchtuitlaatopeningen moeten schoon gehouden worden. Maak de luchtinlaat- en luchtuitlaatopeningen van het gereedschap regelmatig schoon of zodra de openingen verstopt dreigen te raken (zie afb. 22).

Om de VEILIGHEID en BETROUWBAARHEID van het gereedschap te handhaven, dienen alle reparaties, controle en vervanging van de koelborstels, onderhoud en afstellingen te worden uitgevoerd door een erkend Makita-servicecentrum, en altijd met gebruikmaking van originele Makita-vervangingsonderdelen.

VERKRIJGBARE ACCESSOIRES

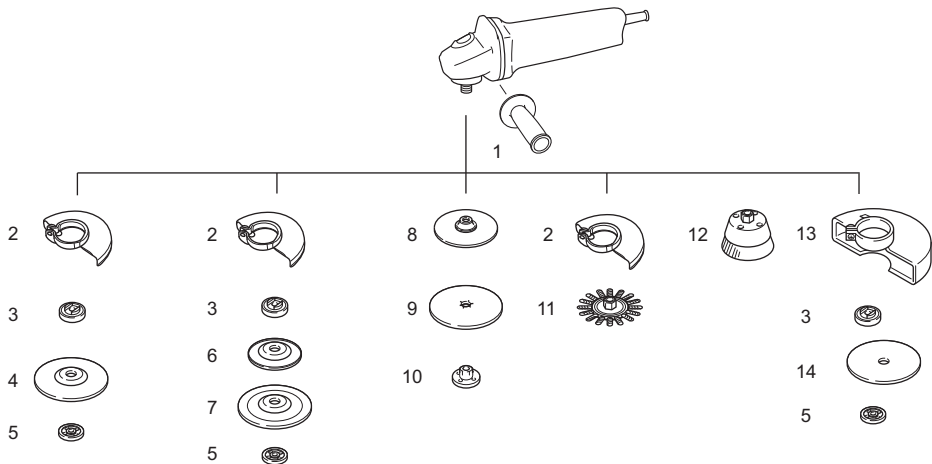
LET OP:

- Deze accessoires of hulpstukken worden aanbevolen voor gebruik met het Makita-gereedschap dat in deze

gebruiksaanwijzing wordt beschreven. Het gebruik van andere accessoires of hulpstukken kan gevaar voor persoonlijk letsel opleveren. Gebruik de accessoires of hulpstukken uitsluitend voor de aangegeven gebruiksdoeleinden.

Mocht u meer informatie willen hebben over deze accessoires, dan kunt u contact opnemen met uw plaatselijke Makita-servicecentrum.

- Stofrooster



	Model 115 mm (4-1/2")	Model 125 mm (5")
1	Handgreep 36	
2	Beschermingskap (voor slijpschijf)	
3	Binnenflens Superflens	Binnenflens Superflens
4	Schijf met een verzonken middengat/lamellenschijf	
5	Borgmoer	Borgmoer
6	Kunststofrugschijf	Kunststofrugschijf
7	Flexischijf	Flexischijf
8	Rubberen rugschijf 100	Rubberen rugschijf 115
9	Schuurschijf	
10	Borgmoer voor schuren	
11	Schijfvormige draadborstel	
12	Komvormige draadborstel	
13	Beschermkap (voor doorslijpschijf)*	
14	Doorslijpschijf of diamantschijf	
-	Borgmoersleutel	

Opmerking:

* In sommige Europese landen kan bij gebruik van een diamantschijf de normale beschermkap worden gebruikt in plaats van de speciale beschermkap die beide zijden van de schijf afschermt. Houd u aan de regelgeving in uw land.

015258

OPMERKING:

- Sommige items op de lijst kunnen zijn inbegrepen in de doos van het gereedschap als standaard toebehoren. Zij kunnen van land tot land verschillen.

Geluid

ENG905-1

De typische, A-gewogen geluidsniveaus zijn gemeten volgens EN60745:

- Geluidsdrumniveau (L_{pA}): 84 dB (A)
- Geluidsvermogeniveau (L_{WA}): 95 dB (A)
- Onzekerheid (K): 3 dB (A)

Draag gehoorbescherming.

Trillingen

ENG900-1

De totale trillingswaarde (triaxiale vectorsom) zoals vastgesteld volgens EN60745:

Model 9564HR

Gebruikstoepassing: slijpen van oppervlakken met normale zijhandgreep

Trillingsemissie ($a_{h,AG}$): 8,5 m/s²

Onzekerheid (K): 1,5 m/s²

Gebruikstoepassing: slijpen van oppervlakken met trillingsbestendige zijhandgreep

Trillingsemissie ($a_{h,AG}$): 8,0 m/s²

Onzekerheid (K): 1,5 m/s²

Gebruikstoepassing: schuren met schijf
Trillingsemismissie ($a_{h,DS}$): 2,5 m/s² of lager
Onzekerheid (K): 1,5 m/s²

Het technische bestand volgens 2006/42/EG is
verkrijgbaar bij:
Makita, Jan-Baptist Vinkstraat 2, 3070, België

Model 9565HR

Gebruikstoepassing: slijpen van oppervlakken met
normale zijhandgreep
Trillingsemismissie ($a_{h,AG}$): 9,0 m/s²
Onzekerheid (K): 1,5 m/s²

Gebruikstoepassing: slijpen van oppervlakken met
trillingsbestendige zijhandgreep
Trillingsemismissie ($a_{h,AG}$): 7,5 m/s²
Onzekerheid (K): 1,5 m/s²

Gebruikstoepassing: schuren met schijf
Trillingsemismissie ($a_{h,DS}$): 2,5 m/s² of lager
Onzekerheid (K): 1,5 m/s²

28. 5. 2014



Yasushi Fukaya
Directeur

Makita, Jan-Baptist Vinkstraat 2, 3070, België

ENG902-1

- De opgegeven trillingsemismissiewaarde is gemeten volgens de standaardtestmethode en kan worden gebruikt om dit gereedschap te vergelijken met andere gereedschappen.
- De opgegeven trillingsemismissiewaarde kan ook worden gebruikt voor een beoordeling vooraf van de blootstelling.
- De opgegeven trillingsemismissiewaarde wordt gebruikt bij veel toepassingen van het elektrisch gereedschap. Echter, indien het elektrisch gereedschap wordt gebruikt bij andere toepassingen, dan kan de trillingsemismissiewaarde anders zijn.

WAARSCHUWING:

- De trillingsemismissie tijdens het gebruik van het elektrisch gereedschap in de praktijk kan verschillen van de opgegeven trillingsemismissiewaarde afhankelijk van de manier waarop het gereedschap wordt gebruikt.
- Zorg ervoor dat veiligheidsmaatregelen worden getroffen ter bescherming van de operator die zijn gebaseerd op een schatting van de blootstelling onder praktijkomstandigheden (rekening houdend met alle fasen van de bedrijfscyclus, zoals de tijdsduur gedurende welke het gereedschap is uitgeschakeld en stationair draait, naast de ingeschakelde tijdsduur).

Alleen voor Europese landen

ENH101-18

EU-verklaring van conformiteit

Makita verklaart dat de volgende machine(s):

Aanduiding van de machine:

Haakse slijpmachine

Modelnr./Type: 9564HR, 9565HR

Voldoen aan de volgende Europese richtlijnen:

2006/42/EG

Deze zijn gefabriceerd in overeenstemming met de volgende normen of genormaliseerde documenten:

EN60745

ESPAÑOL (Instrucciones originales)

Explicación de los dibujos

- | | | |
|-----------------------------|---|--|
| 1. Bloqueo del eje | 13. Plato de plástico | 23. Protector de disco para el disco de corte abrasivo/disco de diamante |
| 2. Interruptor deslizante | 14. Contratuerca de lijado | 24. Disco de corte abrasivo |
| 3. Luz indicadora | 15. Disco abrasivo | 25. Disco de diamante |
| 4. Protector de disco | 16. Plato de goma | 26. Grosor: Menos de 4 mm (5/32") |
| 5. Alojamiento de cojinetes | 17. Marca A | 27. Grosor: 4 mm (5/32") o más |
| 6. Tornillo | 18. Marca B | 28. Cepillo de copa de alambre |
| 7. Palanca | 19. Marca C | 29. Cepillo de disco de alambre |
| 8. Contratuerca | 20. Gancho | 30. Salida de ventilación |
| 9. Disco de centro hundido | 21. Ventilación | 31. Entrada de ventilación |
| 10. Brida interior | 22. Disco de corte abrasivo/disco de diamante | |
| 11. Llave de contratuerca | | |
| 12. Disco flexible | | |

ESPECIFICACIONES

Modelo	9564HR	9565HR
Diámetro del disco	115 mm (4-1/2")	125 mm (5")
Grosor máx. del disco	6,4 mm	
Rosca del eje	M14 o 5/8" (específico del país)	
Velocidad nominal (n)/Velocidad en vacío (n ₀)	12.000 min ⁻¹	
Longitud total	299 mm	
Peso neto	2,3 kg	2,4 kg
Clase de seguridad	□/II	

- Debido a nuestro programa continuo de investigación y desarrollo, las especificaciones aquí descritas están sujetas a cambios sin previo aviso.
- Las especificaciones pueden ser diferentes de un país a otro.
- Peso de acuerdo con el procedimiento EPTA 01/2003

Uso previsto ENE048-1

Esta herramienta está pensada para esmerilar, pulir y cortar metales y piedras sin usar agua.

Alimentación ENF002-2

La herramienta debe conectarse solamente a una fuente de alimentación de la misma tensión que la indicada en la placa de características, y sólo puede funcionar con corriente alterna monofásica. La herramienta cuenta con un doble aislamiento y puede, por lo tanto, usarse también en tomacorrientes sin conductor de tierra.

Advertencias de seguridad generales para herramientas eléctricas

GEA010-1

⚠ ADVERTENCIA Lea todas las advertencias de seguridad y todas las instrucciones. La no observancia de las advertencias y las instrucciones puede provocar descargas eléctricas, incendios y/o lesiones graves.

Guarde todas las advertencias e instrucciones para futuras consultas.

ADVERTENCIAS DE SEGURIDAD DE LA ESMERILADORA

GEB033-7

Advertencias de seguridad generales para operaciones de amolado, lijado, cepillado con alambre o corte abrasivo:

1. **Esta herramienta eléctrica está pensada para ser utilizada como esmeriladora, lijadora, cepillo de alambre o cortadora. Lea todas las advertencias de seguridad, instrucciones, ilustraciones y especificaciones que acompañan a esta herramienta eléctrica.** No seguir todas las instrucciones que se indican a continuación podría provocar una descarga eléctrica, incendio o lesiones graves.
2. **No se recomienda utilizar esta herramienta para operaciones tales como pulir.** El uso de la herramienta en aplicaciones para las cuales no ha sido diseñada puede generar peligros y ocasionar daños personales.
3. **No utilice accesorios diferentes de aquellos que el fabricante haya diseñado o recomendado especialmente para esta herramienta.** El hecho de que el accesorio pueda montarse en la herramienta no garantiza que sea seguro.
4. **Las revoluciones nominales del accesorio deben ser como mínimo iguales a la velocidad máxima indicada en la herramienta.** Si un accesorio se mueve a una velocidad mayor a la admisible, podría romperse y salir despedido.

5. **El diámetro exterior y el grosor del accesorio deben encontrarse dentro de la capacidad de la herramienta.** Los accesorios de tamaño incorrecto no pueden protegerse ni controlarse correctamente.
 6. **La rosca de montaje de los accesorios debe coincidir con la rosca del husillo de la esmeriladora.** Para accesorios montados con bridas, el orificio del accesorio debe encajar en el diámetro del alojamiento de la brida. Los accesorios que no se ajustan correctamente a las piezas de montaje de la herramienta giran descentrados, vibran en exceso y pueden hacer perder el control de la herramienta.
 7. **No utilice accesorios dañados. Antes de cada uso inspeccione los accesorios con el fin de detectar, por ejemplo, si un disco abrasivo está astillado o agrietado, si un plato lijador está agrietado, roto o desgastado en exceso, o si un cepillo de alambre contiene púas sueltas o rotas.** Si se cae la herramienta o el accesorio, compruebe si ha sufrido algún daño o monte un accesorio en buen estado. Una vez revisado y montado un accesorio, colóquese usted y las personas circundantes fuera del plano de rotación del accesorio y deje funcionar la herramienta eléctrica en vacío a velocidad máxima durante un minuto. Por norma general, los accesorios que están dañados se rompen durante este tiempo de prueba.
 8. **Utilice equipo de protección personal. Dependiendo del trabajo, utilice una careta, protección para los ojos o gafas de seguridad. Si fuera necesario, utilice una mascarilla antipolvo, protectores auditivos, guantes y un mandil adecuado para protegerse de los pequeños fragmentos que pudieran salir proyectados.** Las gafas de protección deberán ser indicadas para detener los pequeños fragmentos que pudieran salir proyectados al trabajar. La mascarilla antipolvo o respiratoria debe ser apta para filtrar las partículas producidas al trabajar. Una exposición prolongada al ruido puede producir pérdidas auditivas.
 9. **Encárguese de que todas las personas se mantengan a suficiente distancia de la zona de trabajo. Toda persona que acceda a la zona de trabajo deberá utilizar equipo de protección personal.** Podrían resultar dañadas, incluso fuera del área de trabajo inmediata, al salir proyectados fragmentos de la pieza de trabajo o del accesorio.
 10. **Sujete la herramienta eléctrica sólo por las superficies de agarre aisladas al realizar una operación en la que el accesorio de corte pueda entrar en contacto con cables ocultos o con su propio cable.** Si entra en contacto con un cable con corriente, puede que las piezas metálicas expuestas de la herramienta eléctrica se carguen también de corriente y que el operario reciba una descarga.
 11. **Mantenga el cable alejado del accesorio en funcionamiento.** En caso de perder el control, el cable de red podría enredarse o cortarse con el accesorio y arrastrar de esta forma su mano hacia el mismo.
 12. **Jamás deposite la herramienta eléctrica hasta que el accesorio se haya detenido por completo.** El accesorio en funcionamiento podría entrar en contacto con la superficie de apoyo y hacerle perder el control sobre la herramienta.
 13. **No deje funcionar la herramienta eléctrica mientras la transporta.** El accesorio en funcionamiento podría ocasionarle daños personales al engancharse accidentalmente en su vestimenta.
 14. **Limpié periódicamente los orificios de ventilación de la herramienta.** El ventilador del motor aspira polvo hacia el interior de la carcasa y, en caso de acumularse un exceso de polvo metálico, podría provocar una descarga eléctrica.
 15. **No utilice la herramienta eléctrica cerca de materiales inflamables.** Las chispas podrían inflamarlos.
 16. **No emplee accesorios que requieran ser refrigerados con líquidos.** El uso de agua u otros refrigerantes líquidos puede provocar una descarga o electrocución.
- Contragolpes y advertencias al respecto**
- El contragolpe es una reacción brusca que se produce al atascarse o engancharse un disco de amolar, un plato lijador, un cepillo de alambre u otro accesorio. Al atascarse o engancharse el accesorio en funcionamiento, éste es frenado bruscamente y puede hacer perder el control sobre la herramienta eléctrica, impulsándola en la dirección opuesta al sentido de giro que tenía el accesorio en el momento de agarrotarse.
- Por ejemplo, si un disco de amolar se atasca o engancha en la pieza de trabajo, puede suceder que el borde del accesorio que entra en el material quede bloqueado, provocando la rotura del accesorio o un contragolpe. Según el sentido de giro del disco en el momento de bloquearse, puede que éste resulte despedido en dirección al operario o en sentido opuesto. En este caso también puede suceder que los discos de amolar se rompan.
- El contragolpe es el resultado de un mal uso de la herramienta eléctrica o de condiciones o procedimientos de uso incorrectos y se puede evitar tomando las precauciones que se indican a continuación.
- a) **Sujete con firmeza la herramienta eléctrica y mantenga su cuerpo y brazos en una posición que le permita resistir los contragolpes.** Si forma parte del equipo, utilice siempre la empuñadura auxiliar para poder controlar mejor las fuerzas derivadas del contragolpe o los pares de reacción durante la puesta en marcha. El operario puede controlar los pares de reacción y las fuerzas derivadas del contragolpe si toma las medidas oportunas.
 - b) **Jamás aproxime la mano al accesorio en funcionamiento.** En caso de contragolpe el accesorio podría dañarle la mano.
 - c) **No se coloque en el área hacia donde se movería la herramienta en caso de contragolpe.** En caso de contragolpe la herramienta saldrá rechazada en sentido opuesto al movimiento del disco.
 - d) **Preste especial atención al trabajar en esquinas, bordes afilados, etc. Evite que el accesorio rebote o se atasque.** En las esquinas, bordes afilados, o al rebotar, el accesorio en funcionamiento tiende a atascarse y puede provocar la pérdida de control o un contragolpe.

e) **No utilice hojas de sierra para maderas ni otros accesorios dentados.** Estos accesorios son propensos al rechazo y pueden hacerle perder el control.

Advertencias de seguridad específicas para operaciones de amolado y corte abrasivo:

- a) **Utilice únicamente los tipos de discos recomendados para su herramienta eléctrica y el protector correcto para el disco en cuestión.** Los discos que no fueron diseñados para esta herramienta no pueden quedar suficientemente protegidos y suponen un peligro.
- b) **La superficie de esmerilado de los discos de centro hundido se debe montar debajo del borde de la protección.** Un disco montado incorrectamente que salga del plano del borde de la protección no se puede proteger adecuadamente.
- c) **Para obtener el nivel máximo de seguridad, el protector debe estar bien sujeto y colocado en la herramienta eléctrica, de forma que el operario esté expuesto a una parte mínima del disco.** El protector ayuda a proteger al operario de fragmentos de disco rotos, un contacto accidental con el disco y chispas que podrían prender fuego a la ropa.
- d) **Utilice el disco solamente en aquellos trabajos para los que fue concebido. Por ejemplo: no emplee las caras de un disco de corte para amolar.** Los discos de corte abrasivos están previstos para amolar utilizando su periferia; la aplicación de fuerzas en sus caras puede hacer que se rompan.
- e) **Utilice siempre bridas que estén en buen estado y que tengan las dimensiones y la forma correctas para el disco utilizado.** Una brida adecuada soporta correctamente el disco reduciendo así el peligro de rotura. Las bridas para discos de corte pueden ser diferentes de aquellas para los discos de amolar.
- f) **No utilice discos gastados de herramientas de mayor tamaño.** Los discos destinados a una herramienta eléctrica más grande no son aptos para soportar la mayor velocidad de las herramientas más pequeñas y podrían romperse.

Advertencias de seguridad adicionales específicas para operaciones de corte abrasivo:

- a) **No haga demasiada fuerza ni aplique demasiada presión con el disco de corte. No intente hacer cortes de una profundidad excesiva.** Si el disco se somete a una fuerza excesiva aumenta la carga y las posibilidades de que se doble o se agarrote en el corte, así como de que se rompa o se produzca un contragolpe.
- b) **No se coloque en línea ni detrás del disco en funcionamiento.** Cuando el disco está en funcionamiento y se mueve en dirección opuesta a usted, un contragolpe podría proyectar el disco y la herramienta en dirección a usted.
- c) **Cuando la hoja esté agarrotada o se interrumpa la operación de corte, apague la herramienta eléctrica y manténgala en posición inmóvil hasta que el disco se detenga por completo. No intente extraer el disco del corte mientras esté en funcionamiento, ya que de lo contrario podría producirse un contragolpe.** Investigue y tome las acciones correctoras para eliminar la causa del agarrotamiento del disco.

d) **No reanude la operación de corte con la herramienta en la pieza de trabajo. Deje que el disco alcance la velocidad máxima y vuelva a introducirlo en el corte con cuidado.** Si la herramienta se vuelve a poner en marcha dentro de la pieza de trabajo, el disco podría doblarse, salirse o provocar un contragolpe.

- e) **Apoye los paneles y otras piezas de trabajo de tamaño excesivo para reducir el peligro de que el disco se atasque o se produzca un contragolpe.** Las piezas de trabajo grandes tienden a hundirse bajo su propio peso. Deben colocarse soportes bajo la pieza de trabajo a ambos lados, cerca de la línea de corte y del borde de la pieza de trabajo.
- f) **Tenga especial cuidado cuando realice un “corte de inmersión” en paredes u otras áreas ciegas.** Al salir por el otro lado, el disco podría cortar un tubo de gas o de agua, un cable eléctrico u otro objeto que podría provocar un contragolpe.

Advertencias de seguridad específicas para operaciones de lijado:

- a) **No utilice papel de lija de tamaño excesivo para el disco. Seleccione el papel de lija conforme a las recomendaciones del fabricante.** El exceso de papel de lija que sobresale del plato lijador supone un peligro de desgarro y puede provocar que el disco se enganche o se rompa o que se produzca un contragolpe.

Advertencias de seguridad específicas para las operaciones de cepillado con alambre:

- a) **Tenga presente que el alambre del cepillo sale despedido incluso durante el funcionamiento normal. No sobrecargue los alambres aplicando una fuerza excesiva al disco.** Los alambres pueden penetrar con facilidad a través de una prenda delgada y / o la piel.
- b) **Si se recomienda utilizar un protector durante las operaciones de cepillado, impida que el disco o cepillo de alambre interfiera en el protector.** El diámetro del disco o cepillo de alambre puede aumentar a causa de la carga de trabajo y las fuerzas centrífugas.

Advertencias de seguridad adicionales:

17. **Cuando utilice discos de amolar con el centro hundido, asegúrese de emplear solamente discos reforzados con fibra de vidrio.**
18. **UNCA UTILICE discos de copa para piedra con esta esmeriladora.** Esta esmeriladora no se ha diseñado para este tipo de discos y su uso puede provocar graves lesiones corporales.
19. **Tenga cuidado de no dañar el husillo, la brida (especialmente la superficie de instalación) ni la contratuerca. Si se dañan estas piezas, el disco podría romperse.**
20. **Asegúrese de que el disco no esté tocando la pieza de trabajo antes de activar el interruptor.**
21. **Antes de utilizar la herramienta en una pieza de trabajo, déjela en marcha durante unos instantes. Esté atento por si se producen vibraciones u oscilaciones, lo que indicaría que el disco no se ha instalado correctamente o que está mal equilibrado.**
22. **Para realizar las tareas de amolado, use la superficie del disco especificada.**

23. No deje la herramienta encendida. Póngala en marcha solamente cuando la tenga en las manos.
24. No toque la pieza de trabajo inmediatamente después de la tarea, ya que puede estar extremadamente caliente y producir quemaduras en la piel.
25. Observe las instrucciones del fabricante para montar y utilizar correctamente los discos. Maneje y guarde con cuidado los discos.
26. No utilice bujes de reducción ni adaptadores separados para adaptar discos abrasivos de orificio grande.
27. Utilice sólo las bridas especificadas para esta herramienta.
28. En herramientas que vayan a ser utilizadas con discos de orificio roscado, asegúrese de que la rosca del disco sea lo suficientemente larga como para acomodar la longitud del eje.
29. Compruebe que la pieza de trabajo esté bien sujeta.
30. Tenga en cuenta que el disco continuará girando después de haber apagado la herramienta.
31. Si el lugar de trabajo es muy caluroso y húmedo, o si está muy contaminado con polvo conductor, utilice un disyuntor de cortocircuito (30 mA) para garantizar la seguridad del operario.
32. No utilice la herramienta con ningún material que contenga amianto.
33. Cuando utilice un disco de cortar, trabaje siempre con el protector de disco colector de polvo requerido por el reglamento de su país o región.
34. Los discos de cortar no deben ser sometidos a ninguna presión lateral.

GUARDE ESTAS INSTRUCCIONES.

⚠️ ADVERTENCIA:

NO deje que la comodidad o la familiaridad con el producto (a base de utilizarlo repetidamente) sustituya la estricta observancia de las normas de seguridad del producto en cuestión. El MAL USO o la no observancia de las normas de seguridad expuestas en este manual de instrucciones pueden ocasionar graves daños corporales.

DESCRIPCIÓN DEL FUNCIONAMIENTO

⚠️ PRECAUCIÓN:

- Asegúrese siempre de que la herramienta esté apagada y desenchufada antes de intentar realizar cualquier tipo de ajuste o comprobación en ella.

Bloqueo del eje

⚠️ PRECAUCIÓN:

- No accione nunca el bloqueo del eje cuando el eje se esté moviendo, ya que, de lo contrario, la herramienta podría averiarse. (Fig. 1)

Al instalar o extraer los accesorios, presione el bloqueo del eje para evitar que gire.

Acción del interruptor

⚠️ PRECAUCIÓN:

- Antes de enchufar la herramienta, asegúrese siempre de que el interruptor deslizante funcione como es debido y que vuelva a la posición "OFF" (Apagado) al ejercer presión sobre la parte posterior del interruptor deslizante.
- El interruptor se puede bloquear en la posición "ON" (Encendido) para aumentar la comodidad del operario durante el uso prolongado. Tenga cuidado cuando bloquee la herramienta en la posición "ON" (Encendido) y sujete la herramienta firmemente.

Para poner la herramienta en marcha, deslice el interruptor deslizante hasta la posición "I (Encendido)" ejerciendo presión sobre la parte posterior del interruptor deslizante. Para un uso continuo, presione la parte delantera del interruptor deslizante para bloquearlo. (Fig. 2)

Para detener la herramienta, presione la parte posterior del interruptor deslizante y, a continuación, deslícelo hacia la posición "O (Apagado)".

Luz indicadora (Fig. 3)

La luz indicadora se enciende de color verde al enchufar la herramienta. Si la luz indicadora no se enciende, puede que el cable de la corriente o el controlador estén averiados. Si la luz indicadora está encendida, pero la herramienta no se pone en marcha aunque esté encendida, puede que las escobillas de carbón estén desgastadas o que el controlador, el motor o el interruptor de encendido y apagado estén averiados.

Mecanismo contra la puesta en marcha accidental

La herramienta no se pone en marcha con el interruptor bloqueado, aunque esté enchufada. En ese momento, la luz indicadora parpadea en color rojo e indica que el mecanismo contra la puesta en marcha accidental está funcionando.

Para cancelar el mecanismo de protección contra la puesta en marcha accidental, devuelva el interruptor deslizante a la posición "O (Apagado)".

Característica de inicio lento

La característica de inicio lento suprime la sacudida inicial.

MONTAJE

⚠️ PRECAUCIÓN:

- Asegúrese siempre de que la herramienta esté apagada y desenchufada antes de intentar realizar cualquier trabajo en ella.

Instalación de la empuñadura lateral (mango)

⚠️ PRECAUCIÓN:

- Antes de utilizar la herramienta, asegúrese siempre de que la empuñadura lateral está instalada firmemente.

Atornille con firmeza la empuñadura lateral en la herramienta, tal como se muestra en la figura. (Fig. 4)

Instalación o extracción del protector de disco (para el disco con el centro hundido, el disco de láminas, el disco flexible, el cepillo de disco de alambre/ disco de corte abrasivo, el disco de diamante)

ADVERTENCIA:

- Cuando utilice un disco de centro hundido, un disco de láminas, un disco flexible o un cepillo de disco de alambre, debe montarse en la herramienta el protector de disco de forma que el lado cerrado del protector siempre apunte hacia el operario.
- Cuando utilice un disco de corte abrasivo/disco de diamante, utilice exclusivamente el protector de disco especial diseñado para los discos de corte. (En algunos países europeos, cuando se utilice un disco de diamante, se podrá utilizar la protección normal. Siga la normativa de su país.)

Para herramientas con protector de disco de tipo de palanca de retención (Fig. 5)

Afloje el tornillo y, a continuación, tire de la palanca en la dirección de la flecha. Monte el protector de forma que las protuberancias de la cinta del protector queden alineadas con los alojamientos de el alojamiento de cojinetes. A continuación, gire el protector de disco hasta un ángulo en el que pueda proteger al operario mientras realiza el trabajo.

Tire de la palanca en la dirección de la flecha. A continuación, apriete el protector de disco con el tornillo de apriete. Asegúrese de que el tornillo esté bien apretado. El ángulo de ajuste del protector de disco se puede ajustar con la palanca. (Fig. 6)

Para extraer el protector de disco, siga el procedimiento de instalación en orden inverso.

Para herramientas con protector de disco de tipo de tornillo de bloqueo (Fig. 7 y 8)

Monte el protector de forma que las protuberancias de la cinta del protector queden alineadas con los alojamientos de el alojamiento de cojinetes. A continuación, gire el protector de disco hasta un ángulo en el que pueda proteger al operario mientras realiza el trabajo.

Asegúrese de que el tornillo esté bien apretado.

Para extraer el protector de disco, siga el procedimiento de instalación en orden inverso.

Montaje o extracción del disco de centro hundido o el disco de láminas (accesorio opcional)

ADVERTENCIA:

- Cuando utilice un disco de centro hundido o un disco de láminas, debe montarse en la herramienta el protector de disco de forma que el lado cerrado del protector siempre apunte hacia el operario.

Monte la brida interior en el eje.

Asegúrese de encajar la pieza dentada de la brida interior en la parte recta del lado inferior del eje.

Encaje el disco en la brida interior y enrosque la contratuerca en el eje. (Fig. 9)

Para apretar la contratuerca, ejerza presión sobre el bloqueo del eje para que el eje no pueda girar, y utilice la

llave de contratuerca para ajustarla con firmeza en el sentido de las agujas del reloj. (Fig. 10)

Para extraer el disco, siga el procedimiento de instalación en orden inverso.

Brida superior (accesorio opcional)

Los modelos con la letra F están equipados, de forma estándar, con una brida superior. Con esta pieza, para aflojar la contratuerca solo se necesita un tercio de la fuerza necesaria para aflojar la de tipo corriente.

Montaje o extracción del disco flexible (accesorio opcional)

ADVERTENCIA:

- Utilice siempre el protector proporcionado cuando el disco flexible esté en la herramienta. El disco puede romperse durante el uso y el protector ayuda a reducir las posibilidades de lesiones personales.

Siga las instrucciones para el disco de centro hundido pero utilice también un plato de plástico sobre el disco. Consulte el orden de montaje en la página de accesorios de este manual. (Fig. 11)

Montaje o extracción del disco abrasivo (accesorio opcional)

NOTA:

- Utilice solamente los accesorios de la pulidora especificados en este manual. Se deben comprar por separado.

Monte el plato de goma en el eje. Encaje el disco en el plato de goma y enrosque la contratuerca en el eje. Para apretar la contratuerca de lijado, ejerza presión sobre el bloqueo del eje para que el eje no pueda girar, y utilice la llave de la contratuerca para ajustarla con firmeza en el sentido de las agujas del reloj. (Fig. 12)

Para extraer el disco, siga el procedimiento de instalación en orden inverso.

Instalación o desmontaje del accesorio guardapolvo (accesorio opcional)

ADVERTENCIA:

- Asegúrese siempre de que la herramienta esté apagada y desenchufada antes de instalar o extraer el accesorio guardapolvo. De lo contrario, se puede dañar la herramienta o se pueden provocar lesiones personales.

Existen tres tipos de accesorios guardapolvo y cada uno se utiliza en una posición diferente. (Fig. 13, 14 y 15)

Coloque el accesorio guardapolvo de forma que un lado del accesorio guardapolvo con la marca (A, B o C) mire hacia el cabezal de la herramienta. Encaje los ganchos del accesorio guardapolvo en la rejilla de ventilación. (Fig. 16)

El accesorio guardapolvo se puede extraer con la mano.

NOTA:

- Limpie el accesorio guardapolvo cuando esté obstruido con suciedad o cuerpos extraños. El uso continuado con un accesorio guardapolvo obstruido dañará la herramienta.

FUNCIONAMIENTO

ADVERTENCIA:

- No fuerce nunca la herramienta. El peso de la herramienta ya aplica la presión adecuada. Si fuerza la herramienta y ejerce una presión excesiva, podría romperse el disco con el peligro que eso conlleva.
- Reemplace el disco SIEMPRE si se cae la herramienta durante el esmerilado.
- No golpee NUNCA el disco de esmerilar u otros discos contra la pieza de trabajo.
- Evite que el disco rebote o se enganche, especialmente cuando trabaje en esquinas, bordes afilados, etc. Podría ocasionar la pérdida del control y contragolpes.
- No utilice NUNCA esta herramienta con discos para cortar madera ni otros discos de sierra. Con estos discos, la esmeriladora podría rebotar con fuerza y causarle lesiones.

PRECAUCIÓN:

- No encienda nunca la herramienta cuando esté en contacto con la pieza de trabajo, ya que podría ocasionar heridas al operario.
- Póngase siempre gafas de seguridad o una careta protectora cuando utilice la herramienta.
- Después de finalizar la tarea, apague siempre la herramienta y espere hasta que el disco se haya detenido completamente antes de dejar la herramienta.
- Sujete siempre la herramienta firmemente con una mano en el cuerpo de la herramienta y otra mano en la empuñadura lateral.

Operación de esmerilado y lijado (Fig. 17)

Enciéndala y aplique el disco a la pieza de trabajo. Normalmente, mantenga el borde del disco en un ángulo de unos 15° con respecto a la superficie de la pieza de trabajo.

Durante el período de funcionamiento inicial con un disco nuevo, no haga funcionar la esmeriladora en la dirección B porque cortaría la pieza de trabajo. Una vez que se haya redondeado el borde del disco, ya podrá utilizarlo en las direcciones A y B.

Trabajo con un disco de corte abrasivo/ disco de diamante (accesorio opcional) (Fig. 18)

En cuanto a la instalación, siga las instrucciones correspondientes al disco de centro hundido. La dirección de montaje de la contratuerca y la brida interior varía con el grosor del disco. Consulte la tabla de más abajo. (Fig. 19)

ADVERTENCIA:

- Cuando utilice un disco de corte abrasivo/disco de diamante, utilice exclusivamente el protector de disco especial diseñado para los discos de corte. (En algunos países europeos, cuando se utilice un disco de diamante, se podrá utilizar la protección normal. Siga la normativa de su país.)
- No utilice NUNCA el disco de corte para operaciones de esmerilado lateral.
- No haga demasiada fuerza ni aplique demasiada presión con el disco. No intente hacer cortes de una

profundidad excesiva. Si el disco se somete a una fuerza excesiva, tanto la carga como las posibilidades de que se doble o se agarrote en el corte aumentan, así como de que se rompa, se produzca un contragolpe o se sobrecaliente el motor.

- No comience la operación de corte con la herramienta en la pieza de trabajo. Deje que el disco alcance la velocidad máxima e introdúzcalo con cuidado en el corte desplazando la herramienta hacia delante por la superficie de la pieza de trabajo. Si la herramienta se enciende dentro de la pieza de trabajo, el disco podría doblarse, salirse o provocar un contragolpe.
- Nunca cambie el ángulo del disco durante las operaciones de corte. Si el disco de corte es sometido a presión lateral (como por ejemplo al esmerilar), se agrietará y se romperá pudiendo causar daños personales graves.
- El disco de diamante se tiene que utilizar perpendicular al material que se está cortando.

Operaciones con el cepillo de copa de alambre (accesorio opcional)

PRECAUCIÓN:

- Compruebe el funcionamiento del cepillo haciendo funcionar la herramienta sin carga, asegurándose de que no haya nadie delante o en línea con el cepillo.
- No utilice un cepillo que esté dañado o que no esté equilibrado. El uso de un cepillo dañado puede aumentar la posibilidad de lesiones por contacto con alambres del cepillo rotos.

Desenchufe la herramienta y colóquela boca arriba para permitir un acceso sencillo al eje. Retire cualquier accesorio del eje. Enrosque el cepillo de copa de alambre en el eje y apriételo con la llave proporcionada. (Fig. 20) Cuando utilice el cepillo, no ejerza demasiada presión, ya que provocaría que se doblaran los alambres, lo que conduciría a una rotura prematura.

Operaciones con el cepillo de disco de alambre (accesorio opcional)

PRECAUCIÓN:

- Compruebe el funcionamiento del cepillo de disco de alambre haciendo funcionar la herramienta sin carga, asegurándose de que no haya nadie delante o en línea con el cepillo de disco de alambre.
- No utilice un cepillo de disco de alambre que esté dañado o que no esté equilibrado. El uso de un cepillo de disco de alambre dañado puede aumentar la posibilidad de lesiones por contacto con alambres rotos.
- Utilice SIEMPRE el protector de cepillo de disco de alambre, asegurándose de que el diámetro del disco encaje dentro del protector. El disco puede romperse durante el uso y el protector ayuda a reducir las posibilidades de lesiones personales.

Desenchufe la herramienta y colóquela boca arriba para permitir un acceso sencillo al eje. Retire cualquier accesorio del eje. Enrosque el cepillo de disco de alambre en el eje y apriételo con las llaves. (Fig. 21) Cuando utilice el cepillo de disco de alambre, no ejerza demasiada presión, ya que provocaría que se doblaran los alambres, lo que conduciría a una rotura prematura.

MANTENIMIENTO

PRECAUCIÓN:

- Asegúrese siempre de que la herramienta esté apagada y desenchufada antes de intentar realizar cualquier trabajo de inspección o mantenimiento en ella.
- Nunca utilice gasolina, benceno, disolvente, alcohol o un producto similar. Se puede provocar una decoloración, una deformación o grietas.

La herramienta y los orificios de ventilación deben mantenerse siempre limpios. Limpie los orificios de ventilación periódicamente o siempre que perciba cualquier obstrucción. (Fig. 22)

Para conservar la SEGURIDAD y la FIABILIDAD del producto, los trabajos de reparación, la inspección y la sustitución de las escobillas de carbón, así como otros trabajos de mantenimiento y ajuste, deberán ser realizados en centros de servicio autorizados de Makita, utilizando siempre piezas de repuesto de Makita.

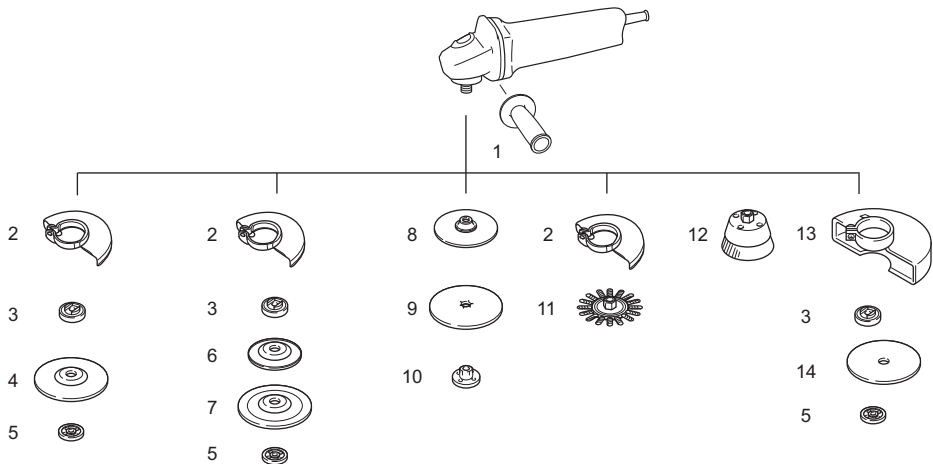
ACCESORIOS OPCIONALES

PRECAUCIÓN:

- Se recomienda el uso de estos accesorios o complementos con la herramienta Makita especificada en este manual. El uso de otros accesorios o complementos puede conllevar el riesgo de ocasionar daños corporales. Utilice los accesorios o complementos solamente para su fin establecido.

Si necesita cualquier ayuda para obtener más información relativa a estos accesorios, pregunte a su centro de servicio Makita local.

- Accesorio guardapolvo



	Modelo de 115 mm (4-1/2")	Modelo de 125 mm (5")
1	Empuñadura 36	
2	Protector de disco (para el disco de esmerilar)	
3	Brida interior Brida superior	Brida interior Brida superior
4	Disco de centro hundido/disco de láminas	
5	Contratuercas	
6	Plato de plástico	
7	Disco flexible	
8	Plato de goma 100	
9	Disco abrasivo	
10	Contratuercas de lijado	
11	Cepillo de disco de alambre	
12	Cepillo de copa de alambre	
13	Protector de disco (para el disco de corte)*	
14	Disco de corte abrasivo/Disco de diamante	
-	Llave de contratuercas	

Nota:

* En algunos países europeos, cuando se utilice un disco de diamante, se puede utilizar la protección normal en lugar de la protección especial que cubre ambos lados del disco. Siga la normativa de su país.

015258

NOTA:

- Algunos elementos de la lista se pueden incluir en el paquete de la herramienta como accesorios estándar. Pueden ser diferentes de un país a otro.

Ruido

ENG905-1

Niveles típicos de ruido ponderado A determinados conforme a EN60745:

Nivel de presión de sonido (L_{pA}): 84 dB (A)

Nivel de potencia sonora (L_{WA}): 95 dB (A)

Incertidumbre (K): 3 dB (A)

Utilice protección para los oídos.

Vibración

ENG900-1

Valor total de la vibración (suma de vectores triaxiales) determinado según el estándar EN60745:

Modelo 9564HR

Modo de trabajo: esmerilado de superficies con empuñadura lateral normal

Emisión de vibraciones ($a_{h,AG}$): 8,5 m/s²

Incertidumbre (K): 1,5 m/s²

Modo de trabajo: esmerilado de superficies con empuñadura lateral antivibración

Emisión de vibraciones ($a_{h,AG}$): 8,0 m/s²

Incertidumbre (K): 1,5 m/s²

Modo de trabajo: lijado con disco
Emisión de vibraciones ($a_{h,DS}$): 2,5 m/s² o menos
Incertidumbre (K): 1,5 m/s²

Modelo 9565HR

Modo de trabajo: esmerilado de superficies con empuñadura lateral normal
Emisión de vibraciones ($a_{h,AG}$): 9,0 m/s²
Incertidumbre (K): 1,5 m/s²

Modo de trabajo: esmerilado de superficies con empuñadura lateral antivibración
Emisión de vibraciones ($a_{h,AG}$): 7,5 m/s²
Incertidumbre (K): 1,5 m/s²

Modo de trabajo: lijado con disco
Emisión de vibraciones ($a_{h,DS}$): 2,5 m/s² o menos
Incertidumbre (K): 1,5 m/s²

El archivo técnico de acuerdo con 2006/42/CE está disponible en:

Makita, Jan-Baptist Vinkstraat 2, 3070, Bélgica

28. 5. 2014



Yasushi Fukaya
Director

Makita, Jan-Baptist Vinkstraat 2, 3070, Bélgica

ENG902-1

- El valor de emisión de vibraciones se ha medido de acuerdo con el método de prueba estándar y se puede utilizar para comparar herramientas.
- El valor de emisión de vibraciones declarado también se puede usar en una evaluación preliminar de la exposición.
- El valor de emisión de vibraciones declarado se usa para las aplicaciones principales de la herramienta eléctrica. No obstante, si se utiliza la herramienta eléctrica para otras aplicaciones, el valor de emisión de vibraciones puede ser diferente.

ADVERTENCIA:

- La emisión de vibraciones durante el uso de la herramienta eléctrica puede diferir del valor de emisiones declarado, dependiendo de las formas en que se utiliza la herramienta.
- Asegúrese de identificar las mediciones correctas para proteger al operario, que se basan en una estimación de la exposición en condiciones de uso reales (teniendo en cuenta todas las partes del ciclo de operaciones, como los momentos en los que la herramienta está apagada y cuando funciona al ralentí además del tiempo en que está activado el interruptor).

Solo para países europeos

ENH101-18

Declaración de conformidad de la CE

Makita declara que las siguientes máquinas:

Designación de la máquina:

Esmeriladora Angular

Nº de modelo/Tipo: 9564HR, 9565HR

Cumplen con las siguientes Directivas europeas:

2006/42/CE

Se han fabricado de acuerdo con los siguientes estándares o documentos estandarizados:

EN60745

PORTUGUÊS (Instruções de origem)

Descrição geral

- | | | |
|--------------------------------|--|---|
| 1. Bloqueio do veio | 13. Apoio de plástico | 23. Resguardo do disco de corte abrasivo/disco diamantado |
| 2. Interruptor deslizante | 14. Porca de bloqueio de lixagem | 24. Disco de corte abrasivo |
| 3. Luz indicadora | 15. Disco abrasivo | 25. Disco diamantado |
| 4. Resguardo do disco | 16. Apoio de borracha | 26. Espessura: inferior a 4 mm (5/32") |
| 5. Caixa de rolamentos | 17. Marca A | 27. Espessura: 4 mm (5/32") ou mais |
| 6. Parafuso | 18. Marca B | 28. Escova de tampa de arame |
| 7. Alavanca | 19. Marca C | 29. Escova de disco de arame |
| 8. Porca de bloqueio | 20. Pino | 30. Ventilação de saída |
| 9. Disco côncavo | 21. Ventilação | 31. Ventilação de entrada |
| 10. Flange interior | 22. Disco de corte abrasivo/disco diamantado | |
| 11. Chave da porca de bloqueio | | |
| 12. Disco flexível | | |

ESPECIFICAÇÕES

Modelo	9564HR	9565HR
Diâmetro do disco	115 mm (4-1/2")	125 mm (5")
Espessura máxima do disco	6,4 mm	
Ranhura do fuso	M14 ou 5/8" (consoante o país)	
Velocidade nominal (n)/Velocidade sem carga (n ₀)	12.000 min ⁻¹	
Comprimento total	299 mm	
Peso líquido	2,3 kg	2,4 kg
Classe de segurança	□/II	

- Devido à pesquisa e desenvolvimento constantes, estas especificações estão sujeitas a alteração sem aviso prévio.
- Estas especificações podem diferir de país para país.
- Peso de acordo com procedimento EPTA de 01/2003

Utilização prevista ENE048-1

A ferramenta destina-se a rectificar, lixar e cortar materiais em metal e pedra, sem a utilização de água.

Fonte de alimentação ENF002-2

A ferramenta apenas deve ser ligada a uma fonte de alimentação da mesma tensão que a indicada na chapa de especificações, e apenas pode funcionar com uma alimentação CA monofásica. Estão blindadas duplamente e podem, assim, ser igualmente ligadas a tomadas sem fio terra.

Avisos gerais de segurança para ferramentas eléctricas GEA010-1

⚠ AVISO Leia todos os avisos de segurança e todas as instruções. O não cumprimento dos avisos e instruções pode resultar na ocorrência de choques eléctricos, incêndios e/ou ferimentos graves.

Guarde todos os avisos e instruções para referência futura.

AVISOS DE SEGURANÇA DA ESMERILHADEIRA GEB033-7

Avisos de Segurança Comuns para Afiar, Lixar, Escovar com arame ou para Operações de corte abrasivas:

1. **Esta ferramenta serve para esmerilhar, lixar, escovar com arame e cortar. Leia todos os avisos, instruções, ilustrações e especificações de segurança fornecidos juntamente com a ferramenta.** Caso não siga todas as instruções indicadas em baixo, poderão ocorrer choques eléctricos, incêndios e/ou ferimentos graves.
2. **As operações, tais como polir, não devem ser desempenhadas com esta ferramenta.** Operações para as quais a ferramenta não foi concebida podem criar perigos e causar ferimentos pessoais.
3. **Não utilize acessórios que não sejam especificamente concebidos e recomendados pelo fabricante da ferramenta.** Mesmo que o acessório encaixe na ferramenta, isso não garante uma operação segura.
4. **A velocidade nominal do acessório deve ser no mínimo igual à velocidade máxima marcada na ferramenta.** Os acessórios a funcionar mais rapidamente do que a velocidade nominal podem quebrar e sair projectados.
5. **O diâmetro exterior e a espessura do acessório deve estar dentro da capacidade nominal da ferramenta.** Os acessórios com tamanhos incorrectos não podem ser guardados ou controlados adequadamente.
6. **O encaixe roscado dos acessórios deve corresponder à rosca do veio da esmerilhadeira. Para os acessórios montados com flanges, o orifício de alojamento do acessório deve corresponder ao diâmetro da flange.** Os acessórios

- que não correspondem ao hardware de instalação da ferramenta perderão o balanço, vibrarão excessivamente e podem causar perda de controlo.
7. **Não utilize um acessório danificado. Antes de cada utilização, inspeccione sempre o acessório, em busca de fissuras e fendas nas rodas abrasivas, fendas, desgaste ou uso excessivo nos discos de apoio e arames partidos ou soltos na escova de arame. Se a ferramenta ou acessório cair, inspeccione para a existência de danos ou instale um acessório não danificado. Após inspeccionar e instalar um acessório, posicione-se por norma longe do acessório rotativo e ligue a ferramenta na velocidade máxima sem carga durante um minuto.** Normalmente, os acessórios danificados partem-se durante este teste.
 8. **Use equipamento pessoal de protecção. Consoante a aplicação, use protecção para a cara ou óculos de segurança. Use máscara de pó, protectores auditivos, luvas e avental adequados, capazes de parar pequenos fragmentos abrasivos ou da peça de trabalho.** A protecção dos olhos deve ser capaz de parar detritos projectados gerados por várias utilizações. A máscara de pó ou respirador deve conseguir filtrar partículas geradas pela operação que estiver a efectuar. Uma exposição prolongada a ruído de alta intensidade pode causar perda de audição.
 9. **Mantenha as pessoas presentes a uma distância segura da área de trabalho. Qualquer pessoa que entre na área de trabalho deve usar equipamento pessoal de protecção.** Os fragmentos da peça de trabalho ou de um acessório partido podem ser projectados e causar ferimentos para além da área imediata da operação.
 10. **Quando executar operações em que acessórios de corte possam entrar em contacto com fios eléctricos ocultos ou com próprio cabo eléctrico da ferramenta, tenha o cuidado de tocar apenas nas superfícies isoladas da ferramenta eléctrica.** O acessório de corte em contacto com um fio eléctrico ligado à corrente pode electrificar as peças de metal da ferramenta e provocar um choque.
 11. **Posicione o cabo eléctrico longe do acessório rotativo.** Se perder o controlo, o cabo eléctrico pode ser cortado ou movimentado bruscamente e a sua mão ou braço podem ser puxados para o acessório rotativo.
 12. **Nunca pouse a ferramenta antes do acessório parar por completo.** O acessório rotativo pode apanhar a superfície e fazê-lo perder o controlo da ferramenta.
 13. **Não ligue a ferramenta enquanto a leva na mão junto ao corpo.** O contacto accidental com o acessório rotativo pode arrancar a sua roupa, puxando o acessório para o corpo.
 14. **Limpe regularmente as aberturas de ventilação da ferramenta.** A ventoinha do motor atrairá o pó para dentro da caixa e acumulação excessiva de metal em pó pode causar perigos eléctricos.
 15. **Não utilizar a ferramenta perto de materiais inflamáveis.** As faíscas podem acender esses materiais.

16. **Não utilizar acessórios que requeiram arrefecedores líquidos.** Usar água ou outro líquido arrefecedor poderá resultar em electrocussão ou choque.

Recuos e Avisos Relacionados

Um recuo é uma reacção repentina a uma roda rotativa, disco de apoio, escova ou outro qualquer acessório encravado ou movimentado bruscamente. Pressionar ou mover bruscamente causa um rápido bloqueio do acessório rotativo, o que por sua vez faz com que a ferramenta descontrolada seja forçada na direcção oposta à da rotação do acessório ao ponto de empeno. Por exemplo, se uma roda abrasiva for movimentada bruscamente ou encravada pela peça de trabalho, a ponta da roda que está entrar no ponto de encravamento pode perfurar a superfície do material, fazendo com a roda salte fora ou ressalte. A roda pode saltar em direcção ao operador ou na direcção oposta, consoante o movimento no ponto de perfuração. As rodas abrasivas podem também quebrar nestas condições. O recuo é o resultado de uma má utilização da ferramenta e/ou procedimentos de funcionamento incorrectos e pode ser evitado tomando as devidas precauções, tal como indicado em baixo.

- a) **Segure firmemente na ferramenta e posicione o corpo e o braço de forma a resistir às forças do recuo. Se fornecida, utilize sempre uma pega auxiliar para um controlo máximo sobre o recuo ou reacção de força durante o início.** Se tomar medidas de precaução adequadas, o operador pode controlar as reacções de força ou de recuo.
- b) **Nunca posicione a mão perto do acessório rotativo.** O acessório pode recuar sobre a sua mão.
- c) **Não posicione o corpo na área para onde a ferramenta se moverá se ocorrer um recuo.** O recuo projectará a ferramenta na direcção oposta ao movimento da roda, no ponto de movimento brusco.
- d) **Tenha especial atenção ao trabalhar cantos, extremidades afiadas, etc. Evite fazer ressaltar e movimentar bruscamente o acessório.** Os cantos, extremidades afiadas ou ressaltos têm uma tendência de movimentar bruscamente o acessório rotativo e causam perda de controlo ou recuo.
- e) **Não colocar uma serra de cortar madeira ou uma serra dentada.** Tais lâminas criam recuos frequentes e perda de controlo.

Avisos de Segurança Específicos para Operações de Cortes Abrasivos e Afiar:

- a) **Use apenas tipos de rodas que são recomendados para a ferramenta e a protecção específica concebida para a roda seleccionada.** Rodas para as quais a ferramenta não foi concebida não podem ser protegidas e não são seguras.
- b) **A superfície de lixagem dos discos com centro desfasado deve ser montado abaixo do plano da saliência da protecção.** Um disco montado incorrectamente que está projectado ao longo da saliência da protecção não pode ser protegida adequadamente.
- c) **A protecção deve estar encaixada de forma segura à ferramenta e posicionada para segurança máxima, para que o disco esteja minimamente exposto na direcção do operador.** A protecção ajuda a proteger o operador de fragmentos

partidos do disco, contacto accidental com o disco e faíscas que podem incendiar a roupa.

d) **As rodas devem ser usadas apenas para as aplicações recomendadas. Por exemplo: não afie com o lado da roda de corte.** As rodas de corte abrasivas têm como fim afiar perifericamente, se aplicar forças laterais a estas rodas pode parti-las.

e) **Use sempre flanges de rodas não danificadas de tamanho e forma certos para a roda escolhida.** Flanges de rodas adequadas apoiam a roda, reduzindo assim a possibilidade da roda partir. As flanges para as rodas de corte podem ser diferentes das flanges das rodas de afiar.

f) **Não usar rodas desgastadas de ferramentas maiores.** Uma roda destinada a ferramentas maiores não é apropriada à velocidade superior de uma ferramenta mais pequena, podendo rebentar.

Avisos de Segurança Específicos Adicionais para as Operações de Cortes Abrasivos:

a) **Não “encravar” a roda de corte ou aplicar pressão excessiva. Não tentar fazer um corte de profundidade excessiva.** Esforçar a roda aumenta a pressão e a susceptibilidade de girar ou empenar da roda no corte e a possibilidade de recuo ou da roda partir.

b) **Não posicione o corpo alinhado e atrás da roda rotativa.** Quando a roda, aquando a utilização, está movimentar-se na direcção oposta do seu corpo, o recuo possível pode projectar a roda giratória e a ferramenta na sua direcção.

c) **Quando a roda está a empenar ou quando interrompe um corte por qualquer razão, desligue a ferramenta e segura-a estaticamente até a roda parar por completo. Nunca tente remover a roda do corte enquanto a roda está em movimento, caso contrário pode ocorrer um recuo.** Investigue e tome acções correctivas para eliminar a causa do empeno da lâmina.

d) **Não recomece a operação de corte na peça de trabalho. Deixe o disco atingir a velocidade máxima e reentre cuidadosamente no corte.** O disco pode empenar, subir ou recuar se a ferramenta for reiniciada na peça de trabalho.

e) **Fixe os painéis ou qualquer peça de trabalho demasiado grande para minimizar o risco da roda bater e recuar.** As peças de trabalho de grandes dimensões tendem a abater sob o seu próprio peso. Os suportes devem ser colocados debaixo da peça de trabalho em ambos os lados da roda, perto da linha de corte e perto da margem da extremidade da peça de trabalho.

f) **Utilize um cuidado adicional quando fizer um “corte a fundo” em paredes existentes ou outras zonas cegas.** A roda saliente pode cortar canos de gás e água, fios eléctricos ou objectos que podem causar um recuo.

Avisos de Segurança Específicos para Operações de Lixar:

a) **Não usar lixas excessivamente grandes: Siga as recomendações do fabricante, quando escolher a lixa.** Lixas maiores que o apoio de lixar representam um perigo de laceração e podem causar movimentos bruscos, destruição do disco ou recuo.

Avisos Específicos para Operações de Escovar com Arames:

a) **Tenha consciência de que fragmentos de arame são atirados pela escova, mesmo durante as operações normais. Não esforce os arames ao aplicar carga excessiva na escova.** Os fragmentos dos arames podem facilmente penetrar na roupa leve e/ou pele.

b) **Se o uso de protecção é recomendado para escovar arames, não permita interferência da roda de arame ou escova com a protecção.** Roda ou escova de arame pode expandir em diâmetro devido à carga de trabalho e forças centrífugas.

Avisos de Segurança Adicionais:

17. **Quando utilizar as rodas de lixar centrais com reentrância, certifique-se de que utiliza apenas rodas reforçadas com fibra de vidro.**
18. **NUNCA UTILIZE discos tipo taça de pedra com esta esmerilhadeira.** Esta esmerilhadeira não se destina a estes tipos de discos e a utilização de tal produto pode resultar em ferimentos pessoais graves.
19. **Não danifique o veio, a flange (especialmente a superfície de instalação) ou a porca de bloqueio. Os danos nestas peças podem resultar em quebra das rodas.**
20. **Certifique-se de que a roda não está em contacto com a peça de trabalho antes de ligar o interruptor.**
21. **Antes de utilizar a ferramenta numa peça de trabalho, deixe-a a trabalhar durante algum tempo. Procure a existência de vibrações ou oscilações que possam indicar uma má fixação ou uma roda mal equilibrada.**
22. **Utilize a superfície especificada da roda para afiar.**
23. **Não abandone a ferramenta a funcionar. Ponha-a a funcionar apenas quando estiver a segurá-la.**
24. **Não toque na peça de trabalho logo após a operação, uma vez que pode estar demasiado quente e provocar queimaduras.**
25. **Cumpra as instruções do fabricante sobre a instalação e utilização correctas das rodas. Manuseie e guarde as rodas com cuidado.**
26. **Não utilize casquilhos de redução separados ou adaptadores para adaptar rodas abrasivas com orifícios de grandes dimensões.**
27. **Utilize apenas as flanges especificadas para esta ferramenta.**
28. **Para ferramentas que sejam instaladas com a roda de orifício roscado, certifique-se de que a rosca na roda é suficientemente longa para aceitar o comprimento do fuso.**
29. **Verifique se a peça de trabalho está bem suportada.**
30. **Tome atenção uma vez que a roda continua a rodar após a ferramenta ser desligada.**
31. **Se o local de trabalho for extremamente quente e húmido ou muito poluído pelo pó, utilize um disjuntor (30 mA) para garantir a segurança do operador.**
32. **Não utilize a ferramenta ou quaisquer materiais que contenham amianto.**
33. **Quando utilizar a roda de corte, trabalhe sempre com a protecção da roda de recolha de pó exigida pelas normas nacionais.**

34. Os discos de corte não devem ser sujeitos a qualquer pressão lateral.

GUARDE ESTAS INSTRUÇÕES.

⚠️ AVISO:

NÃO deixe que o progressivo à vontade com o produto (resultante de uma utilização frequente) o faça esquecer o estrito cumprimento das regras de segurança de utilização do produto. A UTILIZAÇÃO INCORRECTA ou o não cumprimento das regras de segurança fornecidas neste manual de instruções podem provocar ferimentos graves.

DESCRIÇÃO DO FUNCIONAMENTO

⚠️ PRECAUÇÃO:

- Certifique-se sempre de que a ferramenta está desligada no interruptor e da tomada antes de proceder a ajustes ou testes à mesma.

Bloqueio do veio

⚠️ PRECAUÇÃO:

- Nunca accione o bloqueio do veio quando o fuso estiver em movimento. Pode avariar a ferramenta. (Fig. 1)

Prima o bloqueio do veio para evitar a rotação do fuso quando instalar ou remover acessórios.

Ação do interruptor

⚠️ PRECAUÇÃO:

- Antes de ligar a ferramenta, verifique sempre se o interruptor deslizante está a funcionar correctamente e se volta à posição "OFF" (desligada) quando é premida a parte de trás do interruptor deslizante.
- O interruptor pode ser bloqueado na posição "ON" (ligada) para um maior conforto do operador durante uma utilização prolongada. Tenha cuidado quando bloquear a ferramenta na posição "ON" (ligada) e segure bem a ferramenta.

Para ligar a ferramenta, deslize o interruptor deslizante para a posição "I" (ligada) premindo a parte traseira do interruptor deslizante. Para uma utilização contínua, prima a parte da frente do interruptor deslizante para o bloquear. (Fig. 2)

Para desligar a ferramenta, prima a parte de trás do interruptor deslizante, depois mova-o para a posição "O" (desligada).

Luz indicadora (Fig. 3)

A luz indicadora acende-se a verde quando a ferramenta é ligada à tomada. Se a luz indicadora não se acender, o cabo de alimentação ou o controlador podem estar avariados. Se a luz indicadora se acender mas a ferramenta não se iniciar, mesmo que a ferramenta seja ligada, as escovas de carvão poderão estar gastas ou o controlador, o motor ou o interruptor podem estar avariados.

Protecção contra arranque acidental

A ferramenta não liga com o interruptor bloqueado mesmo quando está ligada à alimentação.

Nesta altura, a luz indicadora pisca a vermelho, indicando que está activada a função de dispositivo protegido contra arranque acidental.

Para cancelar a protecção de novo arranque não intencional, coloque o interruptor deslizante para a posição "OFF" (desligada).

Funcionalidade de arranque suave

O arranque suave elimina o choque de arranque.

MONTAGEM

⚠️ PRECAUÇÃO:

- Certifique-se sempre de que a ferramenta está desligada no interruptor e da tomada antes de efectuar qualquer trabalho na mesma.

Instalar a pega lateral (manípulo)

⚠️ PRECAUÇÃO:

- Certifique-se sempre de que a pega lateral está bem instalada antes de utilizar a ferramenta.

Aparafuse bem a pega lateral em posição na ferramenta, tal como indicado na ilustração. (Fig. 4)

Instalar ou retirar o resguardo do disco (Para disco côncavo, disco estriado, disco flexível, escova de disco de arame/disco de corte abrasivo, disco diamantado)

⚠️ AVISO:

- Quando utilizar um disco côncavo, disco estriado, disco flexível ou escova de disco de arame, o resguardo do disco deve ser instalada na ferramenta, de forma a que o lado fechado do resguardo aponte sempre na direcção do operador.
- Quando usar um disco de corte abrasivo/disco diamantado, use apenas o resguardo do disco especial concebido para utilizar com discos de corte. (Em alguns países europeus, ao utilizar um disco diamantado, o resguardo normal pode ser utilizado. Cumpra a legislação do seu país.)

Para ferramentas com resguardo do disco do tipo alavanca do grampo (Fig. 5)

Desaparte o parafuso e, de seguida, puxe a alavanca no sentido da seta. Instale o resguardo do disco com as saliências na banda do resguardo do disco alinhadas com os entalhes na caixa de rolamentos. De seguida, rode o resguardo do disco para um ângulo em que possa proteger o operador durante o trabalho.

Puxe a alavanca no sentido da seta. De seguida, aperte o resguardo do disco com o parafuso de fixação. Certifique-se de que aperta bem o parafuso. O ângulo definido do resguardo do disco pode ser regulado com a alavanca. (Fig. 6)

Para remover o resguardo do disco, efectue o procedimento de instalação de forma inversa.

Para ferramentas com resguardo de disco do tipo parafuso de bloqueio (Fig. 7 e 8)

Instale o resguardo do disco com as saliências na banda do resguardo do disco alinhadas com os entalhes na caixa de rolamentos. De seguida, rode o resguardo do disco para um ângulo em que possa proteger o operador durante o trabalho. Certifique-se de que aperta bem o parafuso.

Para remover o resguardo do disco, efectue o procedimento de instalação de forma inversa.

Instalar ou retirar disco côncavo ou disco estriado (acessório opcional)

⚠ AVISO:

- Ao utilizar um disco côncavo ou um disco estriado, o resguardo do disco deve ser instalado na ferramenta, de forma a que o lado fechado do resguardo aponte sempre na direcção do operador.

Instale a flange interior no fuso.

Certifique-se de que instala a parte reentrante da flange interior na peça direita na parte inferior do fuso.

Instale o disco na flange interior e aparafuse a porca de bloqueio no fuso. (Fig. 9)

Para apertar a porca de bloqueio, prima o bloqueio do veio firmemente, para evitar que o fuso rode, e utilize a chave da porca de bloqueio para a apertar com segurança no sentido dos ponteiros do relógio. (Fig. 10)

Para retirar o disco, siga o procedimento inverso de instalação.

Super flange (acessório opcional)

Os modelos com a letra F estão equipados de série com a Super flange. Apenas são necessários 1/3 de esforço para desapertar a porca de bloqueio, em comparação com o tipo convencional.

Instalar ou retirar o disco flexível (acessório opcional)

⚠ AVISO:

- Utilize sempre o resguardo fornecido quando o disco flexível estiver montado na ferramenta. O disco pode quebrar durante a utilização e o resguardo ajuda a reduzir a ocorrência de ferimentos pessoais.

Siga as instruções para o disco côncavo mas também utilize o apoio de plástico sobre o disco. Consulte a ordem de montagem na página dos acessórios neste manual. (Fig. 11)

Instalar ou retirar o disco abrasivo (acessório opcional)

NOTA:

- Utilize os acessórios da lixadora especificados neste manual. Estes têm de ser adquiridos separadamente. Instale o apoio de borracha no fuso. Instale o disco no apoio de borracha e aparafuse a porca de bloqueio de lixagem no fuso. Para apertar a porca de bloqueio de lixagem, prima o bloqueio do veio firmemente, para evitar que o fuso rode, e utilize a chave da porca de bloqueio para a apertar com segurança no sentido dos ponteiros do relógio. (Fig. 12)

Para retirar o disco, siga o procedimento inverso de instalação.

Instalar ou retirar o acessório de protecção contra o pó (acessório opcional)

⚠ AVISO:

- Certifique-se sempre de que a ferramenta está desligada e com a ficha desligada da tomada antes de instalar ou retirar o acessório de protecção contra o pó. Se não fizer isto pode causar danos na ferramenta ou ferimentos pessoais.

Existem três tipos de acessórios de protecção contra o pó e cada um é utilizada em posições diferentes. (Fig. 13, 14 e 15)

Coloque o acessório de protecção contra o pó de modo a que a parte lateral com a marca (A, B ou C) esteja virada para a cabeça da ferramenta. Encaixar os pinos do acessório de protecção contra o pó na ventilação. (Fig. 16)

O acessório de protecção contra o pó pode ser retirado à mão.

NOTA:

- Limpe o acessório de protecção contra o pó quando está entupido com pó ou substâncias estranhas. Um funcionamento contínuo com um acessório de protecção contra o pó obstruído irá danificar a ferramenta.

FUNCIONAMENTO

⚠ AVISO:

- Nunca deverá ser necessário forçar a ferramenta. O peso da ferramenta aplica pressão adequada. Forçar e pressão excessiva poderão ser perigosos e quebrar o disco.
- Substitua SEMPRE o disco se deixar cair a ferramenta enquanto rectifica.
- NUNCA atire ou embata com o disco de afiar na peça de trabalho.
- Evite fazer ressaltar e movimentar bruscamente o disco, especialmente quando estiver a trabalhar cantos, extremidades afiadas, etc. Isto pode provocar a perda de controlo e recuos.
- NUNCA utilize a ferramenta com lâminas de cortar madeira e outras lâminas de serra. Tais lâminas, quando utilizadas numa esmerilhadeira, provocam com frequência ressaltos e perda de controlo, que podem provocar ferimentos pessoais.

⚠ PRECAUÇÃO:

- Nunca ligue a ferramenta quando esta estiver em contacto com a peça de trabalho, uma vez que poderá causar ferimentos no operador.
- Use sempre óculos de segurança ou uma protecção da face durante o funcionamento.
- Após a utilização, desligue sempre a ferramenta e aguarde até que o disco pare completamente antes de pousar a ferramenta.
- Segure sempre firmemente a ferramenta colocando uma mão sobre o respectivo corpo e a outra na pega lateral.

Rectificar e lixar (Fig. 17)

Ligue a ferramenta e coloque o disco sobre a peça de trabalho.

De maneira geral, mantenha a extremidade do disco a um ângulo de cerca de 15° da superfície da peça de trabalho. Durante o período de rodagem de um novo disco, não coloque a esmerilhadeira a funcionar na direcção B ou esta cortará a peça de trabalho. Quando a extremidade do disco ficar arredondada pelo uso, o disco pode ser trabalhado nas direcções A e B.

Funcionamento com disco de corte abrasivo/disco diamantado (acessório opcional) (Fig. 18)

Em relação à instalação, siga as instruções para o disco côncavo.

A direcção para montar a porca de bloqueio e a flange interior varia conforme a espessura do disco.

Consulte a tabela abaixo. (Fig. 19)

⚠ AVISO:

- Quando usar um disco de corte abrasivo/disco diamantado, use apenas o resguardo de disco especial concebido para utilizar com discos de corte. (Em alguns países europeus, ao utilizar um disco diamantado, o resguardo normal pode ser utilizado. Cumpra a legislação do seu país.)
- NUNCA utilize o disco de corte para rectificar lateralmente.
- Não “encravar” o disco ou aplicar pressão excessiva. Não tentar fazer um corte de profundidade excessiva. Esforçar o disco aumenta a carga e susceptibilidade de girar ou empenar do disco no corte e a possibilidade de recuo, partir o disco e sobreaquecer o motor.
- Não recomece a operação de corte na peça de trabalho. Deixe o disco atingir a velocidade máxima e cuidadosamente entre no corte movendo a ferramenta para a frente, por cima da superfície da peça de trabalho. O disco pode empenar, subir ou recuar se a ferramenta for reiniciada na peça de trabalho.
- Durante as operações de corte, nunca mude o ângulo do disco. Fazer pressão lateral no disco de corte (como quando rectifica) fará com que o disco tenha fendas e quebre, causando ferimentos pessoais graves.
- Um disco diamantado deverá ser operado perpendicularmente ao material a cortar.

Funcionamento com escova de tampa de arame (acessório opcional)

⚠ PRECAUÇÃO:

- Verifique o funcionamento da escova colocando-a em funcionamento sem carga, certificando-se de que ninguém se encontra à frente ou na direcção da escova.
- Não utilize escovas danificadas ou desequilibradas. A utilização de escovas danificadas pode aumentar o risco de ferimentos devido ao contacto com arames de escova partidos.

Desligue a ferramenta e vire-a ao contrário permitindo um acesso fácil ao fuso. Retire quaisquer acessórios no fuso. Enrosque a escova de tampa de arame no fuso e aperte com a chave fornecida. (Fig. 20)

Quando utilizar a escova, evite aplicar demasiada pressão que causa a curvatura excessiva dos arames, resultando em quebra prematura.

Funcionamento com escova de disco de arame (acessório opcional)

⚠ PRECAUÇÃO:

- Verifique o funcionamento da escova de disco de arame colocando-a em funcionamento sem carga, certificando-se de que ninguém se encontra à frente ou na direcção da escova de disco de arame.
- Não utilize escovas de disco de arame danificadas ou desequilibradas. A utilização de escovas de disco de arame danificadas pode aumentar o risco de ferimentos devido ao contacto com arames partidos.
- Use SEMPRE o resguardo com escovas de disco de arame, garantindo que o diâmetro do disco cabe dentro do resguardo. O disco pode quebrar durante a utilização e o resguardo ajuda a reduzir a ocorrência de ferimentos pessoais.

Desligue a ferramenta e vire-a ao contrário permitindo um acesso fácil ao fuso. Retire quaisquer acessórios no fuso. Enrosque a escova de disco de arame no fuso e aperte com as chaves. (Fig. 21)

Quando utilizar a escova de disco de arame, evite aplicar demasiada pressão que causa a curvatura excessiva dos arames, resultando em quebra prematura.

MANUTENÇÃO

⚠ PRECAUÇÃO:

- Certifique-se sempre de que a ferramenta está desligada no interruptor e da tomada antes de inspecionar ou fazer a manutenção da ferramenta.
- Nunca utilize gasolina, benzina, diluente, álcool ou semelhante. Podem formar-se descolorações, deformações ou fissuras.

A ferramenta e as respectivas aberturas de ventilação devem ser mantidas limpas. Limpe regularmente as aberturas de ventilação da ferramenta ou sempre que as aberturas fiquem obstruídas. (Fig. 22)

Para manter os níveis de SEGURANÇA e FIABILIDADE, as reparações, inspecção e substituição das escovas de carvão e outras operações de manutenção ou ajuste devem ser executadas por centros de assistência Makita autorizados e, no caso de substituição de peças, estas devem ser igualmente peças originais Makita.

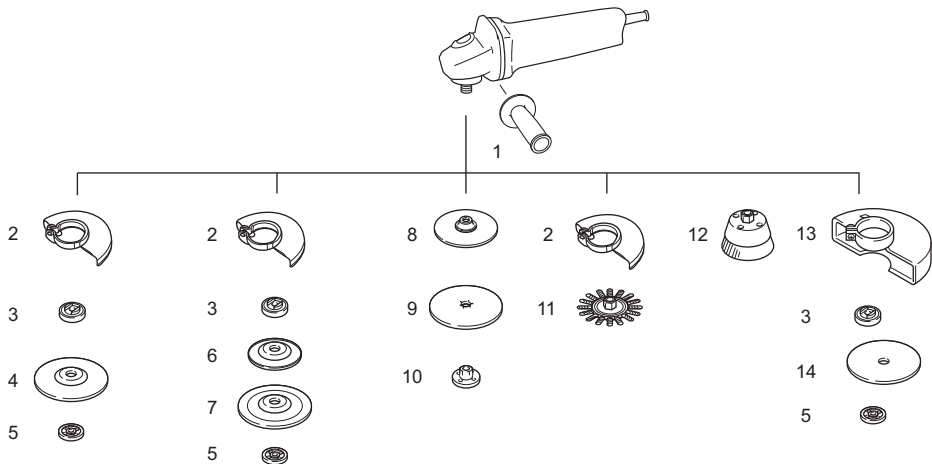
ACESSÓRIOS OPCIONAIS

⚠ PRECAUÇÃO:

- Os seguintes acessórios ou extensões são os recomendados para utilizar com a ferramenta Makita especificada neste manual. A utilização de quaisquer outros acessórios poderá representar um risco de ferimento para as pessoas. Apenas utilize o acessório para o fim indicado.

Se precisar de informações adicionais relativas aos acessórios, contacte o centro local de assistência Makita.

- Acessório de protecção para o pó



	Modelo 115 mm (4-1/2")	Modelo 125 mm (5")
1	Pega 36	
2	Resguardo do disco (para disco de afiar)	
3	Flange interior Super flange	Flange interior Super flange
4	Disco côncavo/Disco estriado	
5	Porca de bloqueio	Porca de bloqueio
6	Apoio de plástico	Apoio de plástico
7	Disco flexível	Disco flexível
8	Apoio de borracha 100	Apoio de borracha 115
9	Disco abrasivo	
10	Porca de bloqueio de lixagem	
11	Escova de disco de arame	
12	Escova de tampa de arame	
13	Resguardo do disco (para o disco de corte)*	
14	Disco de corte abrasivo/Disco diamantado	
-	Chave da porca de bloqueio	

Nota:

* Em alguns países europeus, ao utilizar um disco diamantado, o resguardo normal pode ser utilizado em vez do resguardo especial, cobrindo ambos os lados do disco. Cumpra a legislação do seu país.

015258

NOTA:

• Alguns itens na lista podem estar incluídos no pacote de ferramentas como acessórios de série. Podem diferir de país para país.

Ruído

ENG905-1

O nível de ruído ponderado A típico determinado, de acordo com EN60745:

Nível de pressão sonora (L_{pA}): 84 dB (A)

Nível de potência sonora (L_{WA}): 95 dB (A)

Incerteza (K): 3 dB (A)

Use protecção para os ouvidos.

Vibração

ENG900-1

O valor total de vibração (soma vector triaxial) determinado, de acordo com EN60745:

Modelo 9564HR

Modo de trabalho: rectificar à superfície com pega lateral normal

Emissão de vibrações ($a_{h,AG}$): 8,5 m/s²

Incerteza (K): 1,5 m/s²

Modo de trabalho: rectificar à superfície com pega lateral anti-vibrações

Emissão de vibrações ($a_{h,AG}$): 8,0 m/s²

Incerteza (K): 1,5 m/s²

Modo de trabalho: lixagem por disco
Emissão de vibrações ($a_{h,DS}$): 2,5 m/s² ou menos
Incerteza (K): 1,5 m/s²

Modelo 9565HR

Modo de trabalho: rectificar à superfície com pega lateral normal

Emissão de vibrações ($a_{h,AG}$): 9,0 m/s²
Incerteza (K): 1,5 m/s²

Modo de trabalho: rectificar à superfície com pega lateral anti-vibrações

Emissão de vibrações ($a_{h,AG}$): 7,5 m/s²
Incerteza (K): 1,5 m/s²

Modo de trabalho: lixagem por disco

Emissão de vibrações ($a_{h,DS}$): 2,5 m/s² ou menos
Incerteza (K): 1,5 m/s²

A ficha técnica em conformidade com a norma
2006/42/EC está disponível a partir de:
Makita, Jan-Baptist Vinkstraat 2, 3070, Bélgica

28. 5. 2014



Yasushi Fukaya
Director

Makita, Jan-Baptist Vinkstraat 2, 3070, Bélgica

ENG902-1

- O valor da emissão de vibração declarado foi medido de acordo com o método de teste padrão e pode ser utilizado para comparar uma ferramenta com outra.
- O valor da emissão de vibração declarado pode também ser utilizado numa avaliação preliminar de exposição.
- O valor da emissão de vibração declarado é utilizado para as aplicações principais da ferramenta eléctrica. No entanto, se a ferramenta eléctrica for utilizada para outras aplicações, o valor da emissão de vibração pode ser diferente.

⚠ AVISO:

- A emissão de vibração durante a utilização real da ferramenta eléctrica pode ser diferente do valor de emissão declarado, dependendo da forma como a ferramenta é utilizada.
- Certifique-se de que identifica medidas de segurança, para proteger o operador, que são baseadas numa estimativa de exposição nas condições reais de utilização (tendo em conta todas as partes do ciclo de funcionamento, como as vezes que a ferramenta é desligada e quando está a trabalhar ao ralenti, além do tempo de utilização).

Apenas para países europeus

ENH101-18

Declaração de conformidade CE

A Makita declara que as máquinas:

Designação da máquina:

Esmerilhadeira Angular

Nº/Tipo de modelo: 9564HR, 9565HR

Estão em conformidade com as directivas europeias seguintes:

2006/42/EC

São fabricadas de acordo com as normas e documentos normalizados seguintes:

EN60745

DANSK (Originalvejledning)

Forklaring til generel oversigt

1. Aksellås	12. Flexskive	23. Beskyttelsesskærm til vinkelslibeskive/diamantskive
2. Glidekontakt	13. Plastikpolstring	24. Vinkelslibeskive
3. Indikatorlampe	14. Sikringsmøtrik til sandslibning	25. Diamantskive
4. Beskyttelsesskærm	15. Slibedisk	26. Tykkelse: Mindre end 4 mm (5/32")
5. Kuglelejeboks	16. Gummimåtte	27. Tykkelse: 4 mm (5/32") eller mere
6. Skruer	17. Markering A	28. Koptrådbørste
7. Håndtag	18. Markering B	29. Skivetrådbørste
8. Sikringsmøtrik	19. Markering C	30. Udstødningsåbning
9. Forsænket centerslibeskive	20. Stift	31. Indsugningsåbning
10. Indre flange	21. Ventilationsåbning	
11. Skruenøgle til sikringsmøtrik	22. Vinkelslibeskive/diamantskive	

SPECIFIKATIONER

Model	9564HR	9565HR
Skivediameter	115 mm (4-1/2")	125 mm (5")
Maks. skivetykkelse	6,4 mm	
Spindelgevind	M14 eller 5/8" (landespecifik)	
Nominal hastighed (n)/ hastighed uden belastning (n ₀)	12.000 min ⁻¹	
Længde i alt	299 mm	
Nettovægt	2,3 kg	2,4 kg
Sikkerhedsklasse	□/II	

- På grund af vores løbende forsknings- og udviklingsprogram kan specifikationerne heri ændres uden forudgående varsel.
- Specifikationerne kan variere fra land til land.
- Vægt i henhold til EPTA-procedure 01/2003

Tilsigtet brug

ENE048-1

Maskinen er beregnet til afslibning, sandslibning og skæring i metal- og stenmaterialer uden brug af vand.

Strømforsyning

ENF002-2

Værktøjet bør kun slutes til en strømforsyning med den spænding, der er angivet på mærkepladen, og det kan kun benyttes med enkelfaset vekselstrøm. Det er dobbelt isoleret og kan derfor også slutes til stikkontakter uden jordforbindelse.

Generelle sikkerhedsadvarsler for maskiner

GEA010-1

⚠ ADVARSEL Læs alle sikkerhedsadvarsler og alle instruktioner. Hvis De ikke følger alle advarsler og instruktioner, kan det medføre elektrisk stød, brand og/eller alvorlig personskade.

Gem alle advarsler og instruktioner til senere reference.

SIKERHEDSADVARSLER FOR VINKESLIBER

GEB033-7

Fælles sikkerhedsadvarsler for afslibning, sandslibning, trådbørstning og vinkelslibning:

1. Denne maskine er beregnet til brug som afsliber, sandsliber, trådbørste eller vinkelsliber. Læs alle

sikkerhedsadvarsler, instruktioner, illustrationer og specifikationer, der følger med maskinen. Hvis du ikke følger alle instruktionerne nedenfor, kan det medføre elektrisk stød, brand og/eller alvorlig personskade.

2. **Det anbefales ikke at benytte maskinen til formål som f.eks. polering.** Anvendelser, som maskinen ikke er beregnet til, kan udgøre en risiko og medføre personskade.
3. **Undlad at benytte tilbehør, som ikke er specielt udviklet og anbefalet af producenten af værktøjet.** Selvom tilbehøret kan monteres på maskinen, er anvendelsen ikke nødvendigvis sikker.
4. **Tilbehørets nominelle hastighed skal være mindst lig med den maksimale hastighed, der er angivet på maskinen.** Tilbehør, der kører hurtigere end dets nominelle hastighed, kan gå i stykker og blive slynget bort.
5. **Tilbehørets udvendige diameter og tykkelse skal overholde maskinens kapacitet.** Tilbehør med forkert størrelse kan ikke fastgøres eller kontrolleres korrekt.
6. **Ved montering af tilbehør med gevind skal det matche vinkelsliberens spindelgevind. For tilbehør monteret med flanger skal akselhullet på tilbehøret passe til flangens fastgørelsesdiameter.** Tilbehør, der ikke passer til monteringsudstyret på maskinen, vil komme ud af balance, vibrere voldsomt og kan medføre, at du mister kontrollen.

7. **Undlad brug af beskadiget tilbehør. Kontroller tilbehør som f.eks. slibeskiver, hver gang de bruges, for flænger og revner, bagpolstringer for revner, nedslidning eller kraftigt slid, trådbørster for løse eller knækkede træde. Hvis du tager maskinen eller tilbehøret, skal du se efter for beskadigelser eller montere ubeskadiget tilbehør. Efter kontrol og montering af tilbehør skal du placere dig selv og tilskuere væk fra tilbehørets drejningsplan og lade maskinen køre ved maksimal hastighed uden belastning i et minut.** Beskadiget tilbehør vil normalt gå i stykker inden for denne testperiode.
 8. **Bær personligt sikkerhedsudstyr. Afhængigt af anvendelsen skal du bære ansigtsskærm, beskyttelsesbriller eller sikkerhedsbriller. Bær om nødvendigt støvmaske, høreværn, handsker og arbejdsforklæde, der kan stoppe små slibningsstykker eller stumper af arbejdssemnet.** Øjenbeskyttelsen skal kunne stoppe flyvende stumper, der frembringes ved forskellige betjening. Støvmasken eller åndedrætsbeskyttelsen skal kunne filtrere de partikler, der frembringes ved anvendelsen. Længerevarende udsættelse for kraftigt støj kan medføre høreskader.
 9. **Hold andre tilstedeværende på sikker afstand af arbejdsområdet. Alle, der kommer ind i arbejdsområdet, skal bære personligt sikkerhedsudstyr.** Dele af arbejdssemnet eller ødelagt tilbehør kan flyve væk og medføre personskade uden for det umiddelbare anvendelsesområde.
 10. **Hold kun maskiner i de isolerede gribeblader, når du udfører arbejde, hvor skæretilbehøret kan komme i kontakt med skjulte ledninger eller maskinens egen ledning.** Hvis skæretilbehøret kommer i kontakt med en strømførende ledning, kan udsatte metaldele på maskinen blive strømførende, hvorved operatøren kan få elektrisk stød.
 11. **Placer ledningen på afstand af roterende tilbehør.** Hvis du mister kontrollen, kan ledningen blive skåret over eller beskadiget, og din hånd eller arm kan blive trukket ind i det roterende tilbehør.
 12. **Læg aldrig maskinen fra dig, før tilbehøret er stoppet helt.** Det roterende tilbehør kan gribe fat i overfladen og trække i maskinen, så du mister kontrollen.
 13. **Lad ikke maskinen køre, mens du bærer den ved siden.** Hvis dit tøj kommer i kontakt med det roterende tilbehør, kan det gribe fat i tøjet og trække tilbehøret ind i kroppen på dig.
 14. **Rengør regelmæssigt maskinens ventilationsåbninger.** Motorventilatoren trækker støvet ind i kabinettet, og koncentration af forstøvet metal kan medføre elektriske risici.
 15. **Undlad at betjene maskinen i nærheden af brændbare materialer.** Gnister kan antænde disse materialer.
 16. **Undlad at benytte tilbehør, der kræver flydende kølemidler.** Brug af vand eller andre flydende kølemidler kan medføre elektrisk stød eller chok.
- Tilbageslag og relaterede advarsler**
Tilbageslag er en pludselig reaktion på, at en roterende skive, bagpolstring, børste eller andet tilbehør sidder fast eller kommer i klemme. Hvis tilbehøret sidder fast eller

kommer i klemme, går det roterende tilbehør pludselig i stå, hvorved den ikke-kontrollerede maskine tvinges i den modsatte retning af tilbehørets rotationsretning på det sted, hvor det sidder fast.

Hvis en slibeskive f.eks. kommer i klemme eller sidder fast på arbejdssemnet, kan den kant på skiven, der sidder ind i fastklemningspunktet, skære sig ind i emnets overflade, så skiven klatrer ud eller slås ud. Skiven kan enten springe mod eller bort fra operatøren, afhængigt af skivens bevægelse på det sted, hvor den sidder fast. Slibeskiver kan også gå i stykker under disse forhold. Tilbageslag skyldes forkert brug af maskinen og/eller forkerte betjeningsprocedurer eller forhold og kan undgås ved at træffe de nødvendige forsigtighedsregler som beskrevet nedenfor.

- a) **Hold godt fast i maskinen, og placer kroppen og armen, så du kan modstå tilbageslag. Benyt altid det ekstra håndtag, hvis det er tilgængeligt, for at opnå størst mulig kontrol med tilbageslag eller drejningsreaktion ved start.** Operatøren kan kontrollere drejningsreaktioner eller tilbageslag, hvis der træffes de rette forholdsregler.
- b) **Placer aldrig hånden i nærheden af roterende tilbehør.** Tilbehøret kan blive slået tilbage hen over hånden.
- c) **Placer ikke dig selv i det område, hvor maskinen vil bevæge sig, hvis der opstår tilbageslag.** Ved tilbageslag bliver værktøjet slynget i modsat retning af skivens bevægelse på det sted, hvor den sidder fast.
- d) **Vær særligt forsigtig ved arbejde på hjørner, skarpe kanter osv. Undgå at støde og vride tilbehøret.** Hjørner, skarpe kanter og stød har tendens til at få det roterende tilbehør til at sidde fast og forårsage tab af kontrollen eller tilbageslag.
- e) **Montér ikke en klinge til savning i træ eller en savklinge med tænder.** Sådanne klinger forårsager ofte tilbageslag og tab af kontrollen.

Specifikke sikkerhedsadvarsler for afslibning og vinkelslibning:

- a) **Anvend kun skivetyper, der anbefales til maskinen, og den specifikke beskyttelsesskærm, der er beregnet til den valgte skive.** Skiver, som maskinen ikke er beregnet til, kan ikke beskyttes ordentligt og er ikke sikre at bruge.
- b) **Slibefladen på forsænkede centerskiver skal monteres under skærkantens plan.** En forkert monteret skive, der projicerer gennem skærkantens plan, kan ikke beskyttes ordentligt.
- c) **Beskyttelsesskærmen skal sidde korrekt fast på maskinen og placeres med henblik på maksimal sikkerhed, så mindst muligt af skiven er blottet ud mod operatøren.** Beskyttelsesskærmen hjælper med at beskytte operatøren mod dele af brækkede skiver, utilsigtet kontakt med skiven og gnister, der kan antænde tøjet.
- d) **Skiver må kun benyttes til de anbefalede anvendelser. Eksempel: Undlad at bruge siden af en slibeskive til vinkelslibning.** Vinkelslibeskiver er beregnet til slibning i periferien. Hvis skiverne udsættes for kræfter fra siden, kan de gå i stykker.
- e) **Anvend altid ubeskadigede skiveflanger af den korrekte størrelse og form til den valgte skive.** Korrekte skiveflanger understøtter skiven, så der er mindre risiko for, at den går i stykker. Flanger til

vinkelslibeskiver kan være forskellige fra flanger til slibeskiver.

f) **Undlad at benytte nedslidte skiver fra større maskiner.** Skiver, der er beregnet til større maskiner, er ikke beregnet til et mindre værktøjs større hastigheder og kan gå i stykker.

Specifikke sikkerhedsadvarsler for vinkelslibning:

- a) **Undlad at "låse" vinkelslibbeskiven eller anvende unødigt pres. Undlad at skære for dybt.** Hvis skiven overbelastes, forøges belastningen og risikoen for at bøje skiven, eller at den sidder fast i snittet, hvilket øger risikoen for tilbageslag, eller at skiven går i stykker.
- b) **Undlad at placere dig selv på linje med og bagved den roterende skive.** Når skiven på anvendelsesstedet bevæger sig bort fra dig selv, vil et eventuelt tilbageslag slynge den roterende skive og maskinen direkte tilbage mod dig selv.
- c) **Hvis skiven sidder fast, eller hvis du af en eller anden grund afbryder et snit, skal du slukke for maskinen og holde den stille, indtil skiven er stoppet helt. Forsøg aldrig at fjerne vinkelslibbeskiven fra snittet, mens skiven bevæger sig, da dette kan forårsage tilbageslag.** Se efter og tag modforholdsregler imod årsager til, at skiven binder.
- d) **Start ikke snittet igen i arbejdsemnet. Lad skiven nå fuld hastighed, og sæt den forsigtigt tilbage i snittet.** Skiven kan binde, springe op eller forårsage tilbageslag, hvis maskinen genstartes i arbejdsemnet.
- e) **Støt paneler eller store arbejdsemner for at reducere risikoen for, at skiven binder og forårsager tilbageslag.** Store arbejdsemner har tendens til at bøjes under deres egen vægt. Der skal placeres støtter under arbejdsemnet i nærheden af skæringslinjen og nær arbejdsemnets kanter på begge sider af skiven.
- f) **Vær ekstra forsigtig, når du foretager et "lommensnit" i eksisterende vægge eller andre områder, du ikke kan se.** Den fremstikkende skive kan skære i gas- eller vandrør, elektriske kabler eller genstande, der kan forårsage tilbageslag.

Specifikke sikkerhedsadvarsler for sandslibning:

- a) **Anvend ikke for stort sandpapir. Følg producentens anbefalinger ved valg af sandpapir.** Større sandpapir, der stikker ud over sandpladen, kan skære i personer og sidde fast, forårsage slid på disken eller tilbageslag.

Specifikke sikkerhedsadvarsler for trådbørstning:

- a) **Vær opmærksom på, at tråde kan blive slynget af børsten selv ved normal betjening. Overbelast ikke trådene ved at belaste børsten for hårdt.** Trådene kan nemt gennemtrænge let beklædning og/eller huden.
- b) **Hvis brug af en beskyttelseskærm anbefales til trådbørstning, må du ikke lade trådskiven eller børsten støde mod skærmen.** Diameteren af trådskiven eller børsten kan blive større på grund af arbejdsbelastning eller centrifugalkræfter.

Yderligere sikkerhedsadvarsler:

17. **Ved brug af forsænkede centerslibeskiver må du kun benytte glasfiberforstærkede skiver.**

18. **BRUG ALDRIG stensriver af koptypen til denne slibemaskine.** Denne slibemaskine er ikke designet til disse typer skiver og brugen af et sådan produkt kan muligvis resultere i alvorlig personskade.
19. **Vær forsigtig med ikke at beskadige spindelen, flangen (især monteringsområdet) eller sikringsmøtrikken.** Beskadigelse af disse dele kan medføre beskadigelse af skiven.
20. **Sørg for, at skiven ikke har kontakt med arbejdsemnet, før der tændes på kontakten.**
21. **Lad værktøjet køre et stykke tid, før det benyttes på et arbejdsemne.** Hold øje med vibrationer eller slinger, der kan være tegn på en dårlig montering eller en dårligt afbalanceret skive.
22. **Anvend den tilsigtede overflade på skiven til at udføre slibningen.**
23. **Gå ikke fra værktøjet, mens det kører. Lad kun værktøjet køre, mens du holder det i hænderne.**
24. **Bør ikke arbejdsemnet umiddelbart efter arbejdet. Det kan være meget varmt og forårsage forbrændinger af huden.**
25. **Overhold producentens instruktioner for korrekt montering og brug af skiver. Vær omhyggelig med håndtering og opbevaring af skiverne.**
26. **Anvend ikke separate reduktionsbøsninger eller adaptere til tilpasning af slibeskiver med store huller.**
27. **Brug kun flanger, der er beregnet til værktøjet.**
28. **For værktøjer, der er beregnet til brug med skiver med trådede hjul, skal du sikre dig, at tråden i skiven er tilstrækkeligt lang til at modsvare længden af spindelen.**
29. **Kontroller, at arbejdsemnet er korrekt understøttet.**
30. **Vær opmærksom på, at skiven fortsætter med at rotere, efter at der slukkes for værktøjet.**
31. **Hvis arbejdspladsen er meget varm og fugtig, eller hvis den er kraftigt forurenet af ledende støv, skal du bruge en kortslutningsafbryder (30 mA) til at beskytte operatøren.**
32. **Anvend ikke værktøjet på materialer, der indeholder asbest.**
33. **Ved brug af vinkelslibeskiver skal du altid benytte den beskyttelseskærm til støvopsamling, som den lokale lovgivning foreskriver.**
34. **Slibeskiver må ikke udsættes for tryk fra siden.**

GEM DISSE INSTRUKTIONER.

⚠ ADVARSEL:

LAD IKKE tryghed eller kendskab til produktet (fra gentagen brug) føre til, at du ikke strengt overholder sikkerhedsreglerne for det gældende produkt. MISBRUG eller manglende overholdelse af sikkerhedsreglerne i denne brugsanvisning kan medføre alvorlig personskade.

FUNKTIONSBESKRIVELSE

⚠ FORSIGTIG:

- Sørg altid for, at maskinen er slukket, og at stikket er taget ud af stikkontakten, før du justerer maskinen eller kontrollerer dens funktion.

Aksellås

⚠ FORSIGTIG:

- Udløs aldrig aksellåsen, mens spindelen bevæger sig. Dette kan beskadige maskinen. (Fig. 1)

Tryk på aksellåsen for at forhindre, at spindelen roterer, mens du monterer eller afmonterer tilbehør.

Betjening af kontakt

⚠ FORSIGTIG:

- Før værktøjet sættes til, skal du altid kontrollere, at glidekontakten reagerer korrekt og vender tilbage i stillingen "OFF", når der trykkes bag på glidekontakten.
- Kontakten kan læses i "ON"-positionen for at gøre det nemmere for brugeren ved længere tids brug af maskinen. Vær forsigtig når du låser maskinen i "ON"-stillingen og hold godt fast på maskinen.

For at starte maskinen skal du skubbe glidekontakten mod "I (ON)"-stillingen ved at trykke bag på glidekontakten. For kontinuerlig betjening skal du trykke foran på glidekontakten for at låse den fast. (Fig. 2) Når du vil stoppe maskinen, skal du trykke bag på glidekontakten og derefter trykke den mod "O (OFF)"-positionen.

Indikatorlampe (Fig. 3)

Indikatorlampen lyser grønt, når maskinen er sat i stikkontakten. Hvis indikatorlampen ikke tændes, er netledningen eller kontrollen muligvis defekte. Hvis indikatorlampen lyser, men maskinen ikke starter, selvom der er tændt for værktøjet, er kulbørsterne muligvis slidt ned, eller motoren eller afbryderkontakten kan være defekte.

Sikring mod genstart ved et uheld

Værktøjet starter ikke, når kontakten er låst, selvom værktøjet tilsluttet stikkontakten. I dette tilfælde blinker indikationslampen rødt for at vise, at sikringen mod genstart ved et uheld er sat i funktion. For at annullere sikringen mod genstart ved et uheld skal du sætte glidekontakten tilbage til stillingen "O (OFF)".

Funktion til blød start

Blød start-funktion dæmper startvibration.

MONTERING

⚠ FORSIGTIG:

- Sørg altid for, at maskinen er slukket, og stikket er taget ud af stikkontakten, før du udfører nogen form for arbejde på maskinen.

Montering af sidegreb (håndtag)

⚠ FORSIGTIG:

- Sørg altid for, at sidegrebet er korrekt monteret før brugen.

Skru sidegrebene godt på plads på maskinen som vist i figuren. (Fig. 4)

Montering eller afmontering af beskyttelsesskærm (til forsænket centerskive, flapdisk, flexskive, skivetrådbørste/vinkelslibeskive, diamantskive)

⚠ ADVARSEL:

- Ved brug af en forsænket centerslibeskive, flapdisk, flexskive eller skivetrådbørste skal beskyttelsesskærmen monteres på maskinen, så den lukkede side af skærmen altid vender mod operatøren.
- Ved brug af en vinkelslibeskive/diamantskive skal du sørge for kun at benytte den særlige beskyttelsesskærm, der er beregnet til brug med slibeskiver. (I visse europæiske lande kan den almindelige beskyttelsesskærm anvendes ved brug af en diamantskive. Du skal følge bestemmelserne i dit land.)

For værktøjer med beskyttelsesskærm af håndtagstypen (Fig. 5)

Løsn skruen og træk derefter håndtaget i pilens retning. Monter beskyttelsesskærmen, så fremspringene på båndet på beskyttelsesskærmen er justeret ind med mærkerne på kuglelejevoksen. Roter derefter beskyttelsesskærmen hen på en sådan vinkel at den kan beskytte operatøren i henhold til arbejdet. Træk håndtaget i pilens retning. Spænd derefter beskyttelsesskærmen ved at stramme skruen. Sørg for at stramme skruen godt. Indstillingsvinklen på beskyttelsesskærmen kan justeres med håndtaget. (Fig. 6)

Følg fremgangsmåden til montage i omvendt rækkefølge for at afmontere beskyttelsesskærmen.

For værktøjer med beskyttelsesskærm af låseskruetypen (Fig. 7 og 8)

Monter beskyttelsesskærmen, så fremspringene på båndet på beskyttelsesskærmen er justeret ind med mærkerne på kuglelejevoksen. Roter derefter beskyttelsesskærmen hen på en sådan vinkel at den kan beskytte operatøren i henhold til arbejdet. Sørg for at stramme skruen godt. Følg fremgangsmåden til montage i omvendt rækkefølge for at afmontere beskyttelsesskærmen.

Montering eller afmontering af forsænket centerslibeskive eller flapdisk (fås som tilbehør)

⚠ ADVARSEL:

- Ved brug af en forsænket centerslibeskive eller flapdisk skal beskyttelsesskærmen monteres på maskinen, så den lukkede side af skærmen altid vender mod operatøren.

Monter den indre flange på spindelen. Sørg for at placere den bulende del af den indre flange oven på den lige del i bunden af spindelen. Monter skiven/disken på den indre flange, og skru sikringsmøtrikken på spindelen. (Fig. 9) For at stramme sikringsmøtrikken trykkes der fast på aksellåsen, så spindelen ikke kan dreje rundt. Brug derefter skruenøglen til sikringsmøtrikken til at stramme godt med uret. (Fig. 10)

Følg fremgangsmåden til montering i omvendt rækkefølge for at afmontere skiven.

Superflange (fås som tilbehør)

Modeller med bogstavet F er udstyret med en superflange som standard. Der behøves kun en 1/3 kraft til at løsne sikringsmøtrikken i forhold til den almindelige type.

Montering eller afmontering af flexskive (fås som tilbehør)

⚠ ADVARSEL:

- Anvend altid den medfølgende beskyttelsesskærm, når der er monteret en flexskive på maskinen. Skiven kan splintres under brug, og skærmen hjælper med at forebygge personskade.

Følg instruktionerne for brug af en forsænket centerslibeskive, men brug også plastikpolstring over skiven. Se monteringsrækkefølgen på tilbehørssiden i denne brugsanvisning. (Fig. 11)

Montering eller afmontering af slibedisk (fås som tilbehør)

BEMÆRK:

- Brug af slibetilbehør specificeret i denne brugsanvisning. Disse skal anskaffes separat.

Monter gummimåtten på spindelen. Placer disken på den gummimåtten, og skru sikringsmøtrikken til sandslibning på spindelen. For at stramme sikringsmøtrikken til sandslibning skal du trykke fast på aksellåsen, så spindelen ikke kan dreje rundt. Brug derefter skruenøglen til sikringsmøtrikken til at stramme godt til med uret.

(Fig. 12)

Følg fremgangsmåden til montering i omvendt rækkefølge for at afmontere disken.

Montering eller afmontering af støvdæksel (fås som tilbehør)

⚠ ADVARSEL:

- Sørg altid for, at værktøjet er slukket, og at stikket er taget ud af stikkontakten, før du monterer eller afmonterer støvdækslet. Hvis du ikke gør det, kan det beskadige maskinen eller forårsage personskade.

Der er tre typer støvdæksler, og hvert dæksel bruges i forskellige positioner. (Fig. 13, 14 og 15)

Placer støvdækslet sådan at den side af støvdækslet hvor markeringen (A, B eller C) er placeret vender mod værktøjshovedet. Tryk støvdækslets stifter ind i ventilationsåbningen. (Fig. 16)

Støvdækslet kan tages af ved hjælp håndkraft.

BEMÆRK:

- Rengør støvdækslet når det er tilstoppet med støv eller fremmedlegemer. Fortsat brug med et tilstoppet støvdæksel vil medføre skade på værktøjet.

BETJENING

⚠ ADVARSEL:

- Det bør aldrig være nødvendigt at anvende magt på maskinen. Maskinens egen vægt sørger for det nødvendige tryk. Tvang og kraftigt tryk kan medføre farlig beskadigelse af skiven.

- Udskift ALTID skiven, hvis maskinen tabes under slibning.
- Stød eller slå ALDRIG disken eller skiven mod arbejdsområdet.
- Undgå at støde og vride skiven, især ved arbejde på hjørner, skarpe kanter osv. Det kan medføre tab af kontrollen og tilbageslag.
- Anvend ALDRIG værktøjet med klinger til skæring i træ eller andre savklinger. Ved brug på en sliber forårsager sådanne klinger ofte tilbageslag og tab af kontrollen, hvilket kan resultere i personskade.

⚠ FORSIGTIG:

- Tænd aldrig for maskinen, mens det er i kontakt med arbejdsområdet. Operatøren kan komme til skade.
- Bær altid beskyttelsesbriller eller ansigtsmaske under brugen.
- Efter brugen skal du altid slukke for maskinen og vente, indtil skiven er stoppet helt, før du lægger maskinen fra dig.
- Hold altid godt fast i maskinen med den ene hånd på motorhuset og den anden hånd på sidehåndtaget.

Anvendelse til vinkelslibning og slibning (Fig. 17)

Tænd for maskinen, og sæt derefter skiven eller disken mod arbejdsområdet.

Skiven eller disken skal som regel holdes i en vinkel på cirka 15° mod overfladen af arbejdsområdet.

Under indkøring af en ny skive må sliberen ikke anvendes i retningen B, da den ellers vil skære ned i arbejdsområdet. Når kanten af skiven er blevet rundet af ved brug, kan skiven benyttes i både A- og B-retningen.

Anvendelse med vinkelslibeskive/diamantskive (fås som tilbehør) (Fig. 18)

Vedrørende installation skal du følge instruktionerne for brug af en forsænket centerslibeskive.

Monteringsretningen på sikringsmøtrikken og den indvendige flange varierer med skivetykkelsen.

Se tabellen nedenfor. (Fig. 19)

⚠ ADVARSEL:

- Ved brug af en vinkelslibeskive/diamantskive skal du sørge for kun at benytte den særlige beskyttelsesskærm, der er beregnet til brug med slibeskiver. (I visse europæiske lande kan den almindelige beskyttelsesskærm anvendes ved brug af en diamantskive. Du skal følge bestemmelserne i dit land.)
- Brug ALDRIG vinkelslibeskiver til afslibning af sider.
- Undlad at "låse" skiven eller anvende unødigt pres. Undlad at skære for dybt. Hvis skiven overbelastes, forøges belastningen og risikoen for at bøje skiven, eller at den sidder fast i snittet, hvilket øger risikoen for tilbageslag, eller at skiven går i stykker, og motoren kan blive overophedet.
- Start ikke snittet i arbejdsområdet. Lad skiven nå fuld hastighed, og sæt den forsigtigt ned i snittet ved at flytte maskinen hen over overfladen på arbejdsområdet. Skiven kan binde, springe op eller slå tilbage, hvis maskinen startes i arbejdsområdet.
- Skift aldrig skivens vinkel under betjeningen. Hvis der øves tryk fra siden på vinkelslibeskiven (f.eks. ved

afslibning), kan skiven revne eller brække, hvilket kan medføre alvorlig personskade.

- En diamantskive skal anvendes vinkelret på det materiale, der skæres.

Anvendelse af koptrådbørste (fås som tilbehør)

FORSIGTIG:

- Kontroller funktionen af børsten ved at køre maskinen uden belastning, mens du sikrer dig, at der ikke er nogen foran eller på linje med børsten.
- Anvend ikke en beskadiget børste, eller en der ikke er afbalanceret. Anvendelse af en beskadiget børste kan forøge den potentielle skaderisiko pga. kontakt med knækkede børstetråde.

Tag maskinens stik ud og placer den på hovedet, så der er nem adgang til spindelen. Fjern alt tilbehør på spindelen. Skru koptrådbørsten på spindelen og spænd til med den medfølgende skruenøgle. (Fig. 20)

Ved brug af børsten skal unødigt tryk undgås, da det får trådene til at bøje og medfører, at børsten går for hurtigt i stykker.

Anvendelse af skivetrådbørste (fås som tilbehør)

FORSIGTIG:

- Kontroller funktionen af skivetrådbørsten ved at køre maskinen uden belastning, mens du sikrer dig, at der ikke er nogen foran eller på linje med skivetrådbørsten.
- Anvend ikke en beskadiget skivetrådbørste, eller en der ikke er afbalanceret. Anvendelse af en beskadiget skivetrådbørste kan forøge den potentielle skaderisiko pga. kontakt med knækkede tråde.
- Anvend ALTID beskyttelsesskærmen sammen med skivetrådbørster, hvis skivediametere passer inden i skærmen. Skiven kan splintres under brug, og skærmen hjælper med at forebygge personskade.

Tag maskinens stik ud og placer den på hovedet, så der er nem adgang til spindelen. Fjern alt tilbehør på spindelen. Skru skivetrådbørsten på spindelen og spænd til med skruenøglerne. (Fig. 21)

Ved brug af skivetrådbørsten skal unødigt tryk undgås, da det får trådene til at bøje og medfører, at børsten går for hurtigt i stykker.

VEDLIGEHOLDELSE

FORSIGTIG:

- Sørg altid for, at maskinen er slukket, og at stikket er taget ud, før du udfører inspektion eller vedligeholdelse.
- Brug aldrig benzin, benzen, fortynder, alkohol eller lignende. Det kan muligvis medføre misfarvning, deformation eller revner.

Maskinen og ventilationsåbningerne skal holdes rene. Rengør maskinens ventilationsåbninger regelmæssigt, eller når åbningerne begynder at blive tilstoppede. (Fig. 22)

For at holde produktet SIKKERT og PÅLIDELIGT skal reparationer, kontrol og udskiftning af kulbørsterne samt al anden vedligeholdelse eller justering udføres af

autoriserede Makita-servicecentre, der altid benytter Makita-reservedele.

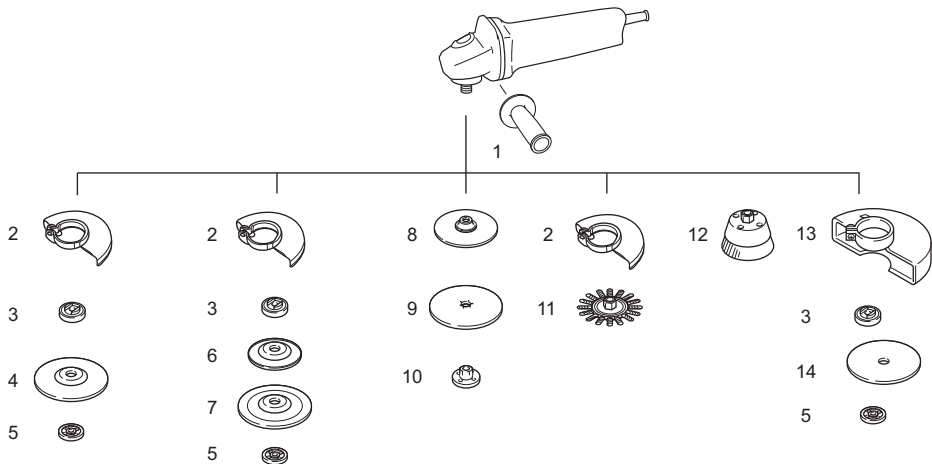
EKSTRAUDSTYR

FORSIGTIG:

- Dette tilbehør eller ekstraudstyr anbefales til brug med det Makita-værktøj, som er beskrevet i denne brugsanvisning. Brug af andet tilbehør eller ekstraudstyr kan forårsage personskade. Brug kun tilbehør eller ekstraudstyr til det formål, det er beregnet til.

Enhver dig til dit lokale Makita-servicecenter, hvis du har brug for hjælp eller yderligere oplysninger vedrørende tilbehøret.

- Støvdæksel



	115 mm (4-1/2")-model	125 mm (5")-model
1	Greb 36	
2	Beskyttelsesskærm (til slibeskive)	
3	Indre flange Superflange	Indre flange Superflange
4	Forsænket centerslibeskive/flapdisk	
5	Sikringsmøtrik	Sikringsmøtrik
6	Plastikpolstring	Plastikpolstring
7	Flexskive	Flexskive
8	Gummimåtte 100	Gummimåtte 115
9	Slibedisk	
10	Sikringsmøtrik til sandslibning	
11	Skivetrådbørste	
12	Koptrådbørste	
13	Beskyttelsesskærm (til vinkelslibeskive)*	
14	Vinkelslibeskive/diamantskive	
-	Skruenøgle til sikringsmøtrik	

Bemærk:

* I visse europæiske lande kan den almindelige beskyttelsesskærm anvendes ved brug af en diamantskive i stedet for den særlige skærm, som dækker begge sider af skiven. Du skal følge bestemmelserne i dit land.

015258

BEMÆRK:

- Visse dele på listen er muligvis indeholdt maskinindpakningen som standardtilbehør. De kan variere fra land til land.

Støj

Det typiske A-vægtede støjniveau bestemt i overensstemmelse med EN60745:

Lydtryksniveau (L_{pA}): 84 dB (A)
 Lydeffektniveau (L_{WA}): 95 dB (A)
 Usikkerhed (K): 3 dB (A)

Bær høreværn.

ENG905-1

Vibration

Den samlede vibrationsværdi (treksiel vektorsum) bestemt i overensstemmelse med EN60745:

ENG900-1

Model 9564HR

Arbejdstilstand: overfladeslibning med normalt sidegreb

Vibrationsemission ($a_{h,AG}$): 8,5 m/s²
 Usikkerhed (K): 1,5 m/s²

Arbejdstilstand: overfladeslibning med normalt sidegreb

Vibrationsemission ($a_{h,AG}$): 8,0 m/s²
 Usikkerhed (K): 1,5 m/s²

Arbejdstilstand: sandslibning med disk
Vibrationsemission ($a_{h,DS}$): 2,5 m/s² eller mindre
Usikkerhed (K): 1,5 m/s²

Model 9565HR

Arbejdstilstand: overfladeslibning med normalt sidegreb

Vibrationsemission ($a_{h,AG}$): 9,0 m/s²
Usikkerhed (K): 1,5 m/s²

Arbejdstilstand: overfladeslibning med normalt sidegreb

Vibrationsemission ($a_{h,AG}$): 7,5 m/s²
Usikkerhed (K): 1,5 m/s²

Arbejdstilstand: sandslibning med disk
Vibrationsemission ($a_{h,DS}$): 2,5 m/s² eller mindre
Usikkerhed (K): 1,5 m/s²

ENG902-1

- Den opgivne vibrationsemissionsværdi er målt i overensstemmelse med standardtestmetoden og kan bruges til at sammenligne et værktøj med et andet.
- Den opgivne vibrationsemissionsværdi kan muligvis også bruges til en indledende eksponeringsvurdering.
- Den opgivne vibrationsemissionsværdi gælder, når maskinen benyttes til dens hovedfunktioner. Men hvis maskinen bruges til andre formål, vil vibrationsemissionsværdien muligvis være en anden.

⚠ ADVARSEL:

- Vibrationsemissionen under den faktiske brug af maskinen kan afvige fra den opgivne emissionsværdi afhængigt af den måde, maskinen anvendes på.
- Sørg for at bestemme sikkerhedsforanstaltninger for beskyttelse af operatøren, som er baseret på en eksponeringsvurdering for brug under faktiske forhold (hvor alle anvendelsescyklussens dele inddrages, som f.eks. antal gange maskinen slukkes, og når den kører i tomgang ud over triggertiden).

Kun for europæiske lande

ENH101-18

EF-overensstemmelseserklæring

Makita erklærer at følgende Makita-maskine(r):

Maskinens betegnelse:

Vinkelsliber

Modelnummer/type: 9564HR, 9565HR

Overholder følgende europæiske direktiver:

2006/42/EF

De er produceret i overensstemmelse med den følgende standard eller standardiserede dokumenter:

EN60745

Den tekniske fil er i overensstemmelse med 2006/42/EF til rådighed fra:

Makita, Jan-Baptist Vinkstraat 2, 3070, Belgien

28. 5. 2014



Yasushi Fukaya
Direktør

Makita, Jan-Baptist Vinkstraat 2, 3070, Belgien

ΕΛΛΗΝΙΚΑ (Πρωτογενείς οδηγίες)

Περιγραφή γενικής όψης

- | | | |
|------------------------------------|--|---|
| 1. Κλείδωμα άξονα | 13. Πλαστικό επίθεμα | 23. Προστατευτικό λειαντικού τροχού κοπής/διαμαντένιου τροχού |
| 2. Συρόμενος διακόπτης | 14. Ασφαλιστικό παξιμάδι λείανσης | 24. Λειαντικός τροχός κοπής |
| 3. Ενδεικτική λυχνία | 15. Λειαντικός δίσκος | 25. Διαμαντένιος τροχός |
| 4. Προστατευτικό τροχού | 16. Λαστιχένιο επίθεμα | 26. Πάχος: Λιγότερο από 4 mm (5/32") |
| 5. Κιβώτιο ρουλεμάν | 17. Σήμανση Α | 27. Πάχος: 4 mm (5/32") ή περισσότερο |
| 6. Βίδα | 18. Σήμανση Β | 28. Κυπελλοειδής συρματόβουρτσα |
| 7. Μοχλός | 19. Σήμανση C | 29. Συρματόβουρτσα τροχού |
| 8. Ασφαλιστικό παξιμάδι | 20. Περώνη | 30. Άνοιγμα εξαέρωσης |
| 9. Τροχός χαμηλωμένου κέντρου | 21. Άνοιγμα | 31. Άνοιγμα εισόδου αέρα |
| 10. Εσωτερική φλάντζα | 22. Λειαντικός τροχός κοπής/ διαμαντένιος τροχός | |
| 11. Κλειδί ασφαλιστικού παξιμαδιού | | |
| 12. Τροχός πολλαπλών χρήσεων | | |

ΠΡΟΔΙΑΓΡΑΦΕΣ

Μοντέλο	9564HR	9565HR
Διάμετρος τροχού	115 mm (4-1/2")	125 mm (5")
Μέγιστο πάχος τροχού	6,4 mm	
Σπείρωμα ατράκτου	M14 ή 5/8" (εξαρτάται από τη χώρα)	
Ονομαστική ταχύτητα (n)/ Ταχύτητα χωρίς φορτίο (n ₀)	12.000 min ⁻¹	
Ολικό μήκος	299 mm	
Καθαρό βάρος	2,3 kg	2,4 kg
Τάξη ασφάλειας	□/II	

- Λόγω του συνεχόμενου προγράμματος που εφαρμόζουμε για έρευνα και ανάπτυξη, τα τεχνικά χαρακτηριστικά στο παρόν έντυπο υπόκεινται σε αλλαγή χωρίς προειδοποίηση.
- Τα τεχνικά χαρακτηριστικά ενδέχεται να διαφέρουν ανάλογα με τη χώρα.
- Βάρος σύμφωνα με τη διαδικασία ΕΡΤΑ 01/2003

Προοριζόμενη χρήση ENE048-1
Το εργαλείο προορίζεται για τρόχισμα, λείανση και κοπή μεταλλικών και πέτρινων υλικών χωρίς τη χρήση νερού.

Ηλεκτρική παροχή ENF002-2
Το εργαλείο πρέπει να συνδέεται μόνο σε ηλεκτρική παροχή της ίδιας τάσης με αυτήν που αναγράφεται στην πινακίδα ονομαστικών τιμών και μπορεί να λειτουργήσει μόνο με εναλλασσόμενο μονοφασικό ρεύμα. Τα εργαλεία αυτά διαθέτουν διπλή μόνωση και συνεπώς μπορούν να συνδεθούν με πρίζες χωρίς γείωση.

Γενικές Προειδοποιήσεις Ασφαλείας Του Ηλεκτρικού Εργαλείου

⚠ ΠΡΟΕΙΔΟΠΟΙΗΣΗ Διαβάστε όλες τις προειδοποιήσεις ασφαλείας και όλες τις οδηγίες. Αν δεν ακολουθήσετε όλες τις προειδοποιήσεις και τις οδηγίες, υπάρχει κίνδυνος ηλεκτροπληξίας, πυρκαγιάς ή/και σοβαρού τραυματισμού.

Φυλάξτε όλες τις προειδοποιήσεις και τις οδηγίες για μελλοντική αναφορά.

ΠΡΟΕΙΔΟΠΟΙΗΣΕΙΣ ΑΣΦΑΛΕΙΑΣ ΓΙΑ ΤΟΝ ΤΡΟΧΟ

GEB033-7

Προειδοποιήσεις ασφαλείας που συνηθίζονται για τρόχισμα, λείανση, χρήση συρματόβουρτσας ή λειαντικές εργασίες κοπής:

1. **Αυτό το ηλεκτρικό εργαλείο προορίζεται για να λειτουργεί ως εργαλείο τροχίσματος, λείανσης, συρματόβουρτσας ή κοπής. Διαβάστε όλες τις προειδοποιήσεις ασφαλείας, τις οδηγίες, τις εικόνες και τις προδιαγραφές που παρέχονται με αυτό το ηλεκτρικό εργαλείο.** Αν δεν ακολουθήσετε όλες τις οδηγίες που παρατίθενται παρακάτω, υπάρχει κίνδυνος ηλεκτροπληξίας, πυρκαγιάς ή/και σοβαρού τραυματισμού.
2. **Δεν συνιστάται η πραγματοποίηση εργασιών όπως το γυάλισμα με αυτό το ηλεκτρικό εργαλείο.** Αν χρησιμοποιηθεί το ηλεκτρικό εργαλείο για εργασίες για τις οποίες δεν έχει σχεδιαστεί, ενδεχομένως να προκληθεί κίνδυνος και προσωπικός τραυματισμός.
3. **Μη χρησιμοποιείτε εξαρτήματα που δεν είναι ειδικά σχεδιασμένα από τον κατασκευαστή του εργαλείου και τα οποία δεν συνιστά ο κατασκευαστής του εργαλείου.** Αν και είναι δυνατό να προσαρτηθεί το εξάρτημα στο ηλεκτρικό εργαλείο σας, αυτό δεν σημαίνει ότι μπορεί να λειτουργεί με ασφάλεια.
4. **Η ονομαστική ταχύτητα του εξαρτήματος πρέπει να είναι τουλάχιστον ίση με τη μέγιστη ταχύτητα**

που αναγράφεται στο ηλεκτρικό εργαλείο. Τα εξαρτήματα που λειτουργούν με ταχύτητα υψηλότερη από την ονομαστική ταχύτητά τους μπορεί να σπασούν και να εκτιναχθούν τα μέρη τους.

5. **Η εξωτερική διάμετρος και το πάχος του εξαρτήματος σας πρέπει να βρίσκονται εντός των δυνατοτήτων του ηλεκτρικού εργαλείου σας.** Τα εξαρτήματα με λανθασμένο μέγεθος δεν προστατεύονται ούτε ελέγχονται ικανοποιητικά.
6. **Το σπείρωμα για τη στερέωση των εξαρτημάτων πρέπει να ταιριάζει με το σπείρωμα της ατράκτου του τροχού. Για εξαρτήματα που στερεώνονται με φλάντζες, η τρύπα του άξονα του εξαρτήματος πρέπει να ταιριάζει με τη διάμετρο έδρασης της φλάντζας.** Τα εξαρτήματα που δεν ταιριάζουν με τον εξοπλισμό στερέωσης του ηλεκτρικού εργαλείου θα λειτουργούν ιδιόρρυθμα, προκαλώντας υπερβολικούς κραδασμούς και ενδεχομένως απώλεια ελέγχου.
7. **Μη χρησιμοποιείτε εξαρτήματα που έχουν υποστεί βλάβη. Πριν από κάθε χρήση να ελέγχετε τα εξαρτήματα, για παράδειγμα, τους λειαντικούς τροχούς για θραύσματα και ραγίσματα, τα βύσματα στήριξης για ραγίσματα, σχίσματα ή υπερβολική φθορά, τη συρματοβούρτσα για χαλαρά ή ραγισμένα σύρματα. Αν το ηλεκτρικό εργαλείο ή ένα εξάρτημα πέσει κάτω, ελέγξτε για ζημιές ή εγκαταστήστε με ένα εξάρτημα που δεν έχει υποστεί βλάβη. Αφού ελέγξετε και εγκαταστήσετε το εξάρτημα, απομακρυνθείτε εσείς και οι παρευρισκόμενοι από το επίπεδο του περιστρεφόμενου εξαρτήματος και θέστε το ηλεκτρικό εργαλείο σε λειτουργία στη μέγιστη ταχύτητα χωρίς φορτίο για ένα λεπτό. Τα εξαρτήματα που έχουν υποστεί βλάβη, συνήθως σπάνε κατά τη διάρκεια αυτής της δοκιμής.**
8. **Να φοράτε προσωπικό προστατευτικό εξοπλισμό. Ανάλογα με την εφαρμογή, να χρησιμοποιείτε προσωπίδα, προστατευτικά ματιών ή προστατευτικά γυαλιά. Αν είναι απαραίτητο, να φοράτε προσωπίδα κατά της σκόνης, υψοασπίδες, γάντια και φόρμα συνεργείου που έχουν τη δυνατότητα να σταματούν την κίνηση μικρών θραυσμάτων που προέρχονται από τη λείανση ή το τεμάχιο εργασίας. Ο προστατευτικός εξοπλισμός για τα μάτια πρέπει να έχει τη δυνατότητα να σταματά την κίνηση των εκτινασσομένων θραυσμάτων που δημιουργούνται από τις διάφορες εργασίες. Η προσωπίδα κατά της σκόνης ή ο αναπνευστήρας πρέπει να έχει τη δυνατότητα να φιλτράρει τα σωματίδια που δημιουργούνται από την εργασία που εκτελείται. Η παρατεταμένη έκθεση σε θόρυβο υψηλής έντασης μπορεί να προκαλέσει απώλεια ακοής.**
9. **Να απομακρύνετε τους μη έχοντες εργασία σε ασφαλή απόσταση από το χώρο εργασίας. Κάθε άτομο που εισέρχεται στο χώρο εργασίας πρέπει να φορά προσωπικό προστατευτικό εξοπλισμό.** Μπορεί να εκτιναχθούν θραύσματα από το τεμάχιο εργασίας ή από ένα σπασμένο εξάρτημα και να προκαλέσουν τραυματισμό σε άτομα που βρίσκονται μακριά από την άμεση περιοχή της εργασίας.
10. **Να κρατάτε το ηλεκτρικό εργαλείο μόνο από τις λαβές με μόνωση όταν εκτελείτε εργασίες κατά τις οποίες το κοπτικό εξάρτημα μπορεί να έρθει σε**

επαφή με κρυμμένα καλώδια ή με το ίδιο του το καλώδιο. Αν το κοπτικό εξάρτημα έρθει σε επαφή με κάποιο ηλεκτροφόρο καλώδιο, τα εκτεθειμένα μεταλλικά μέρη του ηλεκτρικού εργαλείου θα γίνουν κι αυτά ηλεκτροφόρα και μπορεί να προκληθεί ηλεκτροπληξία στο χειριστή.

11. **Να τοποθετείτε το ηλεκτρικό καλώδιο μακριά από το περιστρεφόμενο εξάρτημα.** Αν χάσετε τον έλεγχο, το ηλεκτρικό καλώδιο μπορεί να κοπεί ή να σκαλώσει, και μπορεί να τραβήξει το χέρι ή το βραχιονιά σας μέσα στο περιστρεφόμενο εξάρτημα.
12. **Ποτέ να μην τοποθετείτε κάτω το ηλεκτρικό εργαλείο έως ότου το εξάρτημα σταματήσει τελείως.** Το περιστρεφόμενο εξάρτημα ενδεχομένως να πισათέ στην επιφάνεια και να χάσετε τον έλεγχο του ηλεκτρικού εργαλείου.
13. **Μη θέτετε το ηλεκτρικό εργαλείο σε λειτουργία ενώ το μεταφέρετε κρατώντας το στο πλάι σας.** Η τυχαία επαφή με το περιστρεφόμενο εξάρτημα μπορεί να έχει ως αποτέλεσμα να πισαστούν τα ρούχα σας και το εξάρτημα να τραβηχτεί προς το σώμα σας.
14. **Να καθαρίζετε τακτικά τα ανοίγματα εξαερισμού του ηλεκτρικού εργαλείου.** Ο ανεμιστήρας του μοτέρ τραβάει τη σκόνη στο εσωτερικό του περιβλήματος και η υπερβολική συσσώρευση μετάλλου σε μορφή σκόνης ενδεχομένως να προκαλέσει κίνδυνο ηλεκτροπληξίας.
15. **Μη θέτετε σε λειτουργία το ηλεκτρικό εργαλείο κοντά σε εύφλετα υλικά.** Οι σπινθήρες μπορούν να προκαλέσουν ανάφλεξη αυτών των υλικών.
16. **Μη χρησιμοποιείτε εξαρτήματα που απαιτούν υγρά ψυκτικά.** Η χρήση νερού ή άλλων υγρών ψυκτικών μπορεί να έχει ως αποτέλεσμα την ηλεκτροπληξία.

Κλώστση και Σχετικές Προειδοποιήσεις

Το κλώστση είναι μια ξαφνική αντίδραση όταν αποκοπεί ή σκαλώσει ο περιστρεφόμενος τροχός, το βύσμα στήριξης, η βούρτσα ή κάποιο άλλο εξάρτημα. Η αποκοπή ή το σκάλωμα προκαλεί την απότομη εμπλοκή του περιστρεφόμενου εξαρτήματος, το οποίο με τη σειρά του προκαλεί την κίνηση του ανεξέλεγκτου ηλεκτρικού εργαλείου προς την αντίθετη κατεύθυνση της περιστροφής του εξαρτήματος στο σημείο της ένωσης. Για παράδειγμα, αν ένας λειαντικός τροχός αποκοπεί ή σκαλώσει στο τεμάχιο εργασίας, το άκρο του τροχού που εισέρχεται στο σημείο αποκοπής μπορεί να σκάψει μέσα στην επιφάνεια του υλικού και να έχει ως αποτέλεσμα ο τροχός να εξέλθει από αυτό ή να κλωτσήσει. Ο τροχός μπορεί να πεταχτεί προς το χειριστή ή μακριά από αυτόν, ανάλογα με την κατεύθυνση κίνησης του τροχού στο σημείο της αποκοπής. Οι λειαντικοί τροχοί μπορεί και να σπασούν κάτω από αυτές τις συνθήκες.

Το κλώστση προκαλείται όταν το ηλεκτρικό εργαλείο χρησιμοποιείται λανθασμένα ή/και όταν οι διαδικασίες ή οι συνθήκες λειτουργίας είναι λανθασμένες, ενώ μπορεί να αποφευχθεί αν ληφθούν οι κατάλληλες προφυλάξεις που αναφέρονται παρακάτω.

- a) **Να κρατάτε το ηλεκτρικό εργαλείο καλά και με τα δύο χέρια και να τοποθετείτε το σώμα και το βραχιονιά σας με τρόπο ώστε να αντιστέκονται στη δύναμη του κλωστήματος. Να χρησιμοποιείτε πάντα τη βοηθητική λαβή, αν παρέχεται, για μέγιστο έλεγχο κατά του κλωστήματος ή της αντίδρασης ροπής κατά την έναρξη της**

Λειτουργίας. Ο χειριστής μπορεί να ελέγξει τις αντιδράσεις ροπής ή τις δυνάμεις κλωστήματος αν λάβει τις κατάλληλες προφυλάξεις.

b) **Μην τοποθετείτε ποτέ τα χέρια σας κοντά στο περιστρεφόμενο εξάρτημα.** Το εξάρτημα μπορεί να κλωστήσει επάνω από το χέρι σας.

c) **Μην τοποθετείτε το σώμα σας στην περιοχή που θα κινηθεί το ηλεκτρικό εργαλείο στην περιπτώση που αυτό κλωστήσει.** Το κλώστημα θα προωθήσει το εργαλείο προς την αντίθετη κατεύθυνση της κίνησης του τροχού στο σημείο του σκαλώματος.

d) **Να είστε ιδιαίτερα προσεκτικοί όταν εργάζεστε σε γωνίες, αιχμηρές άκρες, κτλ. Να αποφεύγετε την αναπήδηση και το σκάλωμα του εξαρτήματος.** Οι γωνίες, οι αιχμηρές άκρες ή η αναπήδηση έχουν την τάση να σκαλώνουν το περιστρεφόμενο εξάρτημα και να προκαλούν την απώλεια ελέγχου ή το κλώστημα.

e) **Μην προσαρτάτε μια λάμα αλυσοπρίνου για ξύλο ή οδοντωτή λάμα.** Τέτοιες λάμες δημιουργούν συχνά κλώστημα και απώλεια του ελέγχου.

Ειδικές προειδοποιήσεις ασφαλείας για τρόχισμα και λειαντικές εργασίες κοπής:

a) **Να χρησιμοποιείτε μόνο είδη τροχών που συνιστώνται για το ηλεκτρικό εργαλείο σας και να χρησιμοποιείτε το ειδικό προστατευτικό που έχει σχεδιαστεί για τον επιλεγμένο τροχό.** Οι τροχοί για τους οποίους δεν είναι σχεδιασμένο το ηλεκτρικό εργαλείο δεν μπορούν να προστατευτούν ικανοποιητικά και είναι ανασφαλείς.

b) **Η λειαντική επιφάνεια των τροχών με χαμηλωμένο κέντρο πρέπει να στερεωθεί κάτω από το επίπεδο του άκρου του προφυλακτήρα.** Ένας ακατάλληλα τοποθετημένος τροχός που προεξέχει από το επίπεδο του άκρου του προφυλακτήρα δεν μπορεί να προστατευτεί επαρκώς.

c) **Το προστατευτικό πρέπει να προσαρτηθεί με ασφάλεια στο ηλεκτρικό εργαλείο και να τοποθετηθεί ώστε να παρέχει μέγιστη ασφάλεια, με τρόπο ώστε ο χειριστής να είναι εκτεθειμένος σε όσο το δυνατό μικρότερο μέρος του τροχού.** Το προστατευτικό βοηθά στην προστασία του χειριστή από σπασμένα τμήματα του τροχού, ακούσια επαφή με τον τροχό και από τους σπινθήρες που μπορούν να προκαλέσουν ανάφλεξη του ρουχισμού.

d) **Πρέπει να χρησιμοποιείτε τους τροχούς μόνο για τις συνιστώμενες εφαρμογές. Για παράδειγμα: μην τροχίζετε με την πλευρά του τροχού κοπής.** Οι λειαντικοί τροχοί κοπής προορίζονται για περιφερειακό τρόχισμα. Οι πλευρικές δυνάμεις που ασκούνται σε αυτούς τους τροχούς ενδεχομένως να προκαλέσουν το θρυμματισμό τους.

e) **Να χρησιμοποιείτε πάντα φλάντζες τροχών με το σωστό μέγεθος και σχήμα για τον επιλεγμένο τροχό σας, οι οποίες δεν έχουν υποστεί βλάβη.** Οι κατάλληλες φλάντζες τροχών υποστηρίζουν τον τροχό και συνεπώς μειώνουν την πιθανότητα αυτός να σπάσει. Οι φλάντζες για τους τροχούς κοπής ενδεχομένως να διαφέρουν από τις φλάντζες τροχών τρόχισματος.

f) **Μη χρησιμοποιείτε φθαρμένους τροχούς από μεγαλύτερα ηλεκτρικά εργαλεία.** Ο τροχός που προορίζεται για μεγαλύτερα ηλεκτρικά εργαλεία δεν

είναι κατάλληλος για την υψηλότερη ταχύτητα των μικρότερων εργαλείων, και ενδεχομένως να σπάσει.

Πρόσθετες ειδικές προειδοποιήσεις ασφαλείας για λειαντικές εργασίες κοπής:

a) **Μη "μπλοκάρτε" τον τροχό κοπής και μην ασκείτε υπερβολική πίεση σε αυτόν. Μην επιχειρήσετε να κάνετε μια υπερβολικά βαθιά κοπή.** Αν ασκείτε υπερβολική πίεση στον τροχό αυξάνεται το φορτίο και η ευπάθεια στις δυνάμεις στρέψης και δέσμευσης του τροχού στην κοπή, ενώ αυξάνεται και η πιθανότητα κλωστήματος ή σπασίματος του τροχού.

b) **Μην τοποθετείτε το σώμα σας στην ίδια ευθεία με τον περιστρεφόμενο τροχό ή πίσω από αυτόν.** Όταν ο τροχός μετακινείται μακριά από το σώμα σας, ένα πιθανό κλώστημα ενδεχομένως να προωθήσει τον περιστρεφόμενο τροχό και το ηλεκτρικό εργαλείο κατευθείαν επάνω σας τη στιγμή που τον θέτετε σε λειτουργία.

c) **Όταν εμποδίζεται η κίνηση του τροχού ή όταν διακόπτεται η κοπή για οποιονδήποτε λόγο, σβήστε το ηλεκτρικό εργαλείο και κρατήστε το ακίνητο έως ότου ο τροχός σταματήσει να κινείται εντελώς. Μην επιχειρήσετε ποτέ να βγάλετε τον τροχό κοπής από την κοπή όταν ο τροχός κινείται, επειδή το εργαλείο μπορεί να κλωστήσει.**

Διερευνήστε την αιτία που εμποδίζεται η κίνηση του τροχού και λάβετε διορθωτικά μέτρα.

d) **Μην ξεκινήσετε ξανά την εργασία κοπής στο τεμάχιο εργασίας. Αφήστε τον τροχό να αποκτήσει την πλήρη ταχύτητά του και εισάγετε τον ξανά στην κοπή προσεκτικά.** Αν θέσετε το ηλεκτρικό εργαλείο ξανά σε λειτουργία μέσα στο τεμάχιο εργασίας, μπορεί να εμποδίσει η κίνηση του τροχού, ή μπορεί ο τροχός να αναπηδήσει ή να κλωστήσει.

e) **Πρέπει να στηρίζετε τις πλάκες και τα υπερμεγέθη τεμάχια εργασίας για να ελαχιστοποιείτε τον κίνδυνο αποκοπής και κλωστήματος του τροχού.** Τα μεγάλα τεμάχια εργασίας τείνουν να βαθουλώνουν από το ίδιο τους το βάρος. Πρέπει να τοποθετείτε στηρίγματα κάτω από το τεμάχιο εργασίας, κοντά στη γραμμή κοπής και κοντά στην άκρη του τεμαχίου εργασίας, και στις δύο πλευρές του τροχού.

f) **Να είστε ιδιαίτερα προσεκτικοί όταν εκτελείτε "κοπές θύλακα" σε τούχους ή άλλες περιοχές για τις οποίες δεν γνωρίζετε τι κρύβουν στο εσωτερικό τους.** Αν ο τροχός προεξέχει, μπορεί να κόψει σωληνές υγραερίου ή νερού, ηλεκτρικά καλώδια ή αντικείμενα που θα προκαλέσουν το κλώστημά του.

Ειδικές Προειδοποιήσεις Ασφαλείας για τις Λειτουργίες Λείανσης:

a) **Μη χρησιμοποιείτε υπερβολικά υπερμεγέθη γυαλόχαρτο στο δίσκο. Να ακολουθείτε τις συστάσεις των κατασκευαστών, όταν επιλέγετε γυαλόχαρτο.** Το μεγαλύτερο γυαλόχαρτο που προεξέχει πέρα από το λειαντικό επίθεμα κινδυνεύει να σκιστεί και μπορεί να προκληθούν σκάλωμα, σχίσσιμο του δίσκου ή κλώστημα.

Ειδικές Προειδοποιήσεις Ασφαλείας για τις Εργασίες με Χρήση Συρματόβουρτσας :

a) **Να γνωρίζετε ότι οι συρματένιες τριχές πετάνονται από τη βούρτσα ακόμα και κατά την**

κανονική λειτουργία. Μην πιέζετε υπερβολικά τα σύρματα ασκώντας υπερβολικό φορτίο στη βούρτσα. Οι συρματένιες τρίχες μπορούν εύκολα να διαπεράσουν τον ελαφρύ ρουχισμό ή/και το δέρμα.

b) Αν συνιστάται η χρήση προστατευτικού κατά τη χρήση της συρματόβουρτσας, μην αφήνετε τον τροχό σύρματος ή τη συρματόβουρτσα να εμπλακεί με το προστατευτικό. Ενδεχομένως να μεγαλώσει η διάμετρος του τροχού σύρματος ή της συρματόβουρτσας εξαιτίας του φόρτου εργασίας και των φυγοκεντρικών δυνάμεων.

Επιπλέον Προειδοποιήσεις Ασφαλείας:

17. Όταν χρησιμοποιείτε τροχούς τροχίσματος με χαμηλωμένο κέντρο, να βεβαιώνετε να χρησιμοποιείτε μόνο τροχούς ενισχυμένους με υαλοίνες.
18. Μην χρησιμοποιείτε ΠΟΤΕ πέτρινους κυπελλοειδής τύπου τροχούς με αυτό το εργαλείο τροχίσματος. Αυτό το εργαλείο τροχίσματος δεν είναι σχεδιασμένο για τους τροχούς αυτού του τύπου και η χρήση ενός τέτοιου προϊόντος μπορεί να προκαλέσει σοβαρό προσωπικό τραυματισμό.
19. Να προσέχετε ώστε να μην καταστρέψετε την άτρακτο, τη φλάντζα (ειδικά την επιφάνεια τοποθέτησης) ή το παξιμάδι κλειδώματος. Αν τα εξαρτήματα αυτά είναι κατεστραμμένα, μπορεί να έχει ως αποτέλεσμα το σπάσιμο του τροχού.
20. Βεβαιωθείτε ότι ο τροχός δεν ακουμπά το τεμάχιο εργασίας πριν ενεργοποιηστεί το διακόπτη λειτουργίας.
21. Πριν χρησιμοποιήσετε το εργαλείο σε ένα πραγματικό τεμάχιο εργασίας, να το αφήνετε να λειτουργεί για λίγη ώρα. Να προσέχετε για κραδασμούς ή κινήσεις που θα μπορούσαν να υποδειχθούν κακή τοποθέτηση ή κακή ισορροπία του τροχού.
22. Να χρησιμοποιείτε την καθορισμένη επιφάνεια του τροχού για την εκτέλεση του τροχίσματος.
23. Μην αφήνετε το εργαλείο σε λειτουργία. Το εργαλείο πρέπει να βρίσκεται σε λειτουργία μόνο όταν το κρατάτε.
24. Μην αγγίζετε το τεμάχιο εργασίας αμέσως μετά τη λειτουργία του εργαλείου. Μπορεί να είναι εξαιρετικά θερμό και να προκληθεί έγκαυμα στο δέρμα σας.
25. Να τηρείτε τις οδηγίες του κατασκευαστή όσον αφορά τη σωστή τοποθέτηση και χρήση των τροχών. Να χειρίζεστε και να αποθηκεύετε τους τροχούς με φροντίδα.
26. Μην χρησιμοποιείτε ξεχωριστές ροδέλες ή προσαρμογείς για να προσαρμόσετε λειαντικούς τροχούς με μεγάλη οπή.
27. Να χρησιμοποιείτε μόνο φλάντζες κατάλληλες για αυτό το εργαλείο.
28. Για εργαλεία στα οποία πρόκειται να τοποθετήσετε τροχό με οπή με σπείρωμα, να βεβαιώνετε ότι το σπείρωμα στον τροχό είναι αρκετά μακρύ για να δεχτεί το μήκος της άτρακτου.
29. Ελέγξτε ότι το τεμάχιο εργασίας υποστηρίζεται σωστά.
30. Να προσέχετε όταν ο τροχός συνεχίζει να περιστρέφεται ακόμη και αφού απενεργοποιήσετε το εργαλείο.

31. Εάν το περιβάλλον εργασίας είναι πολύ ζεστό και υγρό ή εάν υπάρχει υπερβολική αγωγιμική σκόνη, να χρησιμοποιείτε ασφάλεια βραχυκυκλώματος (30 mA) για να εξασφαλίσετε την ασφάλεια του χειριστή.
32. Μην χρησιμοποιείτε το εργαλείο σε κανένα υλικό που περιέχει αμίαντο.
33. Όταν χρησιμοποιείτε τροχό κοπής, να εργάζεστε πάντοτε με το προστατευτικό συλλογής σκόνης του τροχού όπως απαιτείται από τους τοπικούς κανονισμούς.
34. Οι δίσκοι κοπής δεν πρέπει να υφίστανται καμία πλευρική πίεση.

ΦΥΛΑΞΤΕ ΑΥΤΕΣ ΤΙΣ ΟΔΗΓΙΕΣ.

⚠️ ΠΡΟΕΙΔΟΠΟΙΗΣΗ:

ΜΗΝ επιτρέψετε στη βολικότητα ή στην εξοικειώση σας με το προϊόν (που αποκτήθηκε από επανειλημμένη χρήση) να αντικαταστήσει την αυστηρή προσήλωση στους κανόνες ασφαλείας του εν λόγω προϊόντος. Η ΛΑΝΘΑΣΜΕΝΗ ΧΡΗΣΗ ή η μη τήρηση των κανόνων ασφαλείας που διατυπώνονται στο παρόν εγχειρίδιο οδηγιών μπορεί να προκαλέσει σοβαρό τραυματισμό.

ΠΕΡΙΓΡΑΦΗ ΛΕΙΤΟΥΡΓΙΑΣ

⚠️ ΠΡΟΣΟΧΗ:

- Να βεβαιώνετε πάντοτε ότι το εργαλείο είναι σβηστό και αποσυνδεδεμένο από το ηλεκτρικό ρεύμα πριν ρυθμίσετε ή ελέγξετε κάποια λειτουργία του.

Κλειδώμα άξονα

⚠️ ΠΡΟΣΟΧΗ:

- Ποτέ μην ενεργοποιείτε το κλειδώμα του άξονα όταν κινείται η άτρακτος. Μπορεί να προκληθεί βλάβη στο εργαλείο. (Εικ. 1)

Πιέστε το κλειδώμα του άξονα για να αποφύγετε την περιστροφή της άτρακτου κατά την τοποθέτηση ή την αφαίρεση εξαρτημάτων.

Δράση διακόπτη

⚠️ ΠΡΟΣΟΧΗ:

- Πριν συνδέσετε το εργαλείο στη πρίζα, πάντοτε να ελέγχετε ότι ο συρόμενος διακόπτης ενεργοποιείται σωστά και επιστρέφει στην ανενεργή θέση "OFF" όταν πιέζετε το πίσω μέρος του συρόμενου διακόπτη.
- Ο διακόπτης μπορεί να κλειδώσει στην ενεργή θέση "ON" για διευκόλυνση του χειριστή κατά την παρατεταμένη χρήση. Δώστε προσοχή όταν το εργαλείο βρίσκεται κλειδωμένο στην ενεργή θέση "ON" και κρατάτε το γερά.

Για να ξεκινήσετε τη λειτουργία του εργαλείου, σύρτε τον συρόμενο διακόπτη στη θέση "I (ON)" σπρώχνοντας το πίσω μέρος του. Για συνεχόμενη λειτουργία, πιέστε το μπροστινό μέρος του συρόμενου διακόπτη για να τον ασφαλίσετε. (Εικ. 2)

Για να διακόψετε τη λειτουργία του εργαλείου, πιέστε το πίσω μέρος του συρόμενου διακόπτη και κατόπιν σύρτε τον στη θέση "O (OFF)".

Ενδεικτική λυχνία (Εικ. 3)

Όταν συνδέετε το εργαλείο στη πρίζα, ανάβει η πράσινη ενδεικτική λυχνία. Αν δεν ανάβει η ενδεικτική λυχνία, μπορεί να υπάρχει ελάττωμα στο ηλεκτρικό καλώδιο ή στον ελεγκτή. Αν η ενδεικτική λυχνία είναι αναμμένη, αλλά το εργαλείο δεν ξεκινά, ακόμη και αν πατηθεί ο διακόπτης, μπορεί να έχουν φθαρεί τα καρβουνάκια ή να υπάρχει ελάττωμα στον ελεγκτή, στο μοτέρ ή στον διακόπτη ON/OFF.

Προστασία ακούσιας επανεκκίνησης

Το εργαλείο δεν ξεκινά με τον διακόπτη κλειδωμένο στην ενεργή θέση ακόμη και αν το εργαλείο είναι συνδεδεμένο στη πρίζα.

Τη στιγμή αυτή, η ενδεικτική λυχνία αναβοσβήνει στο κόκκινο και δείχνει ότι λειτουργεί η συσκευή της προστασίας έναντι της ακούσιας επανεκκίνησης.

Για την ακύρωση της προστασίας έναντι της ακούσιας επανεκκίνησης, επιστρέψτε τον συρόμενο διακόπτη στη θέση "Ο (OFF)".

Χαρακτηριστικό ομαλής εκκίνησης

Η ομαλή εκκίνηση καταστέλλει τους κραδασμούς κατά την εκκίνηση.

ΣΥΝΑΡΜΟΛΟΓΗΣΗ

⚠ ΠΡΟΣΟΧΗ:

- Να βεβαιώνετε πάντοτε ότι το εργαλείο είναι σβηστό και αποσυνδεδεμένο από το ηλεκτρικό ρεύμα πριν εκτελέσετε οποιαδήποτε εργασία σε αυτό.

Τοποθέτηση πλευρικής λαβής (χερούλι)

⚠ ΠΡΟΣΟΧΗ:

- Πριν από τη λειτουργία, να βεβαιώνετε πάντοτε ότι είναι τοποθετημένη με ασφάλεια η πλευρική λαβή. Να βιδώνετε με ασφάλεια την πλευρική λαβή στη θέση του εργαλείου όπως απεικονίζεται στην εικόνα. (Εικ. 4)

Τοποθέτηση ή αφαίρεση του προστατευτικού του τροχού (Για τροχό χαμηλωμένου κέντρου, πτυσσόμενο δίσκο, τροχό πολλαπλών χρήσεων, συρματόβουρτσα τροχού/λειαντικό τροχό κοπής, διαμαντένιο τροχό)

⚠ ΠΡΟΕΙΔΟΠΟΙΗΣΗ:

- Όταν χρησιμοποιείτε τροχό χαμηλωμένου κέντρου, πτυσσόμενο δίσκο, τροχό πολλαπλών χρήσεων ή συρματόβουρτσα τροχού, το προστατευτικό τροχού πρέπει να είναι τοποθετημένο στο εργαλείο με τρόπο ώστε η κλειστή πλευρά του προστατευτικού να είναι πάντοτε στραμμένη προς τη μεριά του χειριστή.
- Όταν χρησιμοποιείτε το λειαντικό τροχό κοπής/διαμαντένιο τροχό, βεβαιωθείτε να χρησιμοποιείτε μόνο το ειδικό προστατευτικό του τροχού που έχει σχεδιαστεί για χρήση με τροχούς κοπής. (Σε μερικές Ευρωπαϊκές χώρες, κατά τη χρήση ενός διαμαντένιου τροχού, μπορεί να χρησιμοποιηθεί το συνηθισμένο προστατευτικό. Ακολουθήστε τους κανονισμούς της χώρας σας.)

Για εργαλείο με προστατευτικό τροχού που ασφαρίζει με μοχλό (Εικ. 5)

Ξεσφίξτε τη βίδα και τραβήξτε το μοχλό προς την κατεύθυνση του βέλους. Τοποθετήστε το προστατευτικό του τροχού με τρόπο ώστε οι προεξοχές στη μπάντα του προστατευτικού του τροχού να είναι ευθυγραμμισμένες με τις εγκοπές στο κιβώτιο ρουλεμάν. Στη συνέχεια περιστρέψτε το προστατευτικό του τροχού υπό τέτοια γωνία ώστε να προστατεύει το χειριστή ανάλογα με την εργασία.

Τραβήξτε το μοχλό προς την κατεύθυνση που δείχνει το βέλος. Στη συνέχεια σφίξτε το προστατευτικό του τροχού σφίγγοντας τη βίδα. Βεβαιωθείτε να σφίξτε καλά τη βίδα. Η γωνία τοποθέτησης του προστατευτικού του τροχού μπορεί να ρυθμιστεί με τον μοχλό. (Εικ. 6)

Για να αφαιρέσετε το προστατευτικό του τροχού, ακολουθήστε τη διαδικασία τοποθέτησης με αντίστροφη σειρά.

Για εργαλείο με προστατευτικό τροχού που ασφαρίζει με βίδα (Εικ. 7 και 8)

Τοποθετήστε το προστατευτικό του τροχού με τρόπο ώστε οι προεξοχές στη μπάντα του προστατευτικού του τροχού να είναι ευθυγραμμισμένες με τις εγκοπές στο κιβώτιο ρουλεμάν. Στη συνέχεια περιστρέψτε το προστατευτικό του τροχού υπό τέτοια γωνία ώστε να προστατεύει το χειριστή ανάλογα με την εργασία. Βεβαιωθείτε να σφίξτε καλά τη βίδα.

Για να αφαιρέσετε το προστατευτικό του τροχού, ακολουθήστε τη διαδικασία τοποθέτησης με αντίστροφη σειρά.

Τοποθέτηση ή αφαίρεση τροχού χαμηλωμένου κέντρου ή πτυσσόμενου δίσκου (προαιρετικό εξάρτημα)

⚠ ΠΡΟΕΙΔΟΠΟΙΗΣΗ:

- Όταν χρησιμοποιείτε τροχό χαμηλωμένου κέντρου ή πτυσσόμενο δίσκο, το προστατευτικό του τροχού πρέπει να είναι προσαρμοσμένο στο εργαλείο με τρόπο ώστε η κλειστή πλευρά του προστατευτικού να είναι πάντοτε στραμμένη προς τη μεριά του χειριστή.

Στερώστε την εσωτερική φλάντζα στην άτρακτο.

Φροντίστε να τοποθετήσετε το τμήμα με εγκοπή της εσωτερικής φλάντζας πάνω στο ευθύ τμήμα στο κάτω μέρος της άτρακτου.

Προσαρμόστε τον τροχό/δίσκο πάνω στην εσωτερική φλάντζα και βιδώστε το ασφαλιστικό παξιμάδι στην άτρακτο. (Εικ. 9)

Για να σφίξτε το ασφαλιστικό παξιμάδι, πιέστε καλά το κλειδίμα του άξονα ώστε να μην μπορεί να περιστρέφεται η άτρακτος, κατόπιν, χρησιμοποιήστε το κλειδί του ασφαλιστικού παξιμαδιού και σφίξτε καλά δεξιόστροφα. (Εικ. 10)

Για να αφαιρέσετε τον τροχό, ακολουθήστε τη διαδικασία τοποθέτησης με αντίστροφη σειρά.

Μεγάλη φλάντζα (προαιρετικό εξάρτημα)

Στα μοντέλα με το γράμμα F η μεγάλη φλάντζα αποτελεί βασικό εξάρτημα. Απαιτείται μόνο το 1/3 της προσπάθειας για την αφαίρεση του ασφαλιστικού παξιμαδιού σε σύγκριση με το συμβατικό τύπο.

Τοποθέτηση ή αφαίρεση του τροχού πολλαπλών χρήσεων (προαιρετικό εξάρτημα)

⚠️ ΠΡΟΕΙΔΟΠΟΙΗΣΗ:

- Να χρησιμοποιείτε πάντα το προστατευτικό που παρέχεται όταν υπάρχει τοποθετημένος ο τροχός πολλαπλών χρήσεων στο εργαλείο. Ο τροχός μπορεί να θρυμματιστεί κατά τη χρήση και το προστατευτικό βοηθά στο να μειωθούν οι πιθανότητες για ατομικό τραυματισμό.

Ακολουθήστε τις οδηγίες του τροχού χαμηλωμένου κέντρου αλλά επίσης χρησιμοποιήστε πλαστικό επίθεμα πάνω από τον τροχό. Δείτε τη σειρά συναρμολόγησης στη σελίδα με τα εξαρτήματα αυτού του εγχειριδίου. (Εικ. 11)

Τοποθέτηση ή αφαίρεση του λειαντικού τροχού (προαιρετικό εξάρτημα)

ΣΗΜΕΙΩΣΗ:

- Να χρησιμοποιείτε μόνο τα εξαρτήματα του λειαντή που καθορίζονται σε αυτό το εγχειρίδιο. Αυτά θα πρέπει να αγοραστούν ξεχωριστά.

Στερεώστε το λαστιχένιο επίθεμα στην άτρακτο. Προσαρμόστε τον δίσκο πάνω στο λαστιχένιο επίθεμα και βιδώστε το ασφαλιστικό παξιμάδι λείανσης στην άτρακτο. Για να σφίξετε το ασφαλιστικό παξιμάδι λείανσης, πιέστε καλά το κλειδίωμα του άξονα ώστε η άτρακτος να μην μπορεί να περιστραφεί, κατόπιν, χρησιμοποιήστε το κλειδί του ασφαλιστικού παξιμαδιού και σφίξτε καλά δεξιόστροφα. (Εικ. 12)

Για να αφαιρέσετε το δίσκο, ακολουθήστε τη διαδικασία τοποθέτησης με αντίστροφη σειρά.

Τοποθέτηση ή αφαίρεση του προσαρτήματος καλύμματος σκόνης (προαιρετικό εξάρτημα)

⚠️ ΠΡΟΕΙΔΟΠΟΙΗΣΗ:

- Να βεβαιώνετε πάντοτε ότι το εργαλείο είναι σβηστό και αποσυνδεδεμένο από το ηλεκτρικό ρεύμα πριν τοποθετήσετε ή αφαιρέσετε το προσάρτημα καλύμματος σκόνης. Εάν δεν το κάνετε αυτό προκαλείται βλάβη στο εργαλείο ή ατομικός τραυματισμός.

Υπάρχουν τρεις τύποι προσαρτημάτων καλύμματος σκόνης και ο καθένας χρησιμοποιείται σε μια διαφορετική θέση. (Εικ. 13, 14 και 15)

Τοποθετήστε το προσάρτημα καλύμματος σκόνης έτσι ώστε η πλευρά του προσαρτήματος καλύμματος σκόνης με τη σήμανση (A, B ή C) να βλέπει προς την κεφαλή του εργαλείου. Πιέστε τις περόνες του προσαρτήματος καλύμματος σκόνης μέσα στο άνοιγμα. (Εικ. 16)

Το προσάρτημα καλύμματος σκόνης μπορεί να αφαιρεθεί με το χέρι.

ΣΗΜΕΙΩΣΗ:

- Καθαρίστε το προσάρτημα καλύμματος σκόνης όταν έχει βουλώσει με σκόνη ή ξένα αντικείμενα. Η συνέχιση της λειτουργίας με βουλωμένο το προσάρτημα καλύμματος σκόνης μπορεί να προκαλέσει ζημιά στο εργαλείο.

ΛΕΙΤΟΥΡΓΙΑ

⚠️ ΠΡΟΕΙΔΟΠΟΙΗΣΗ:

- Δεν θα πρέπει ποτέ να ασκείτε δύναμη στο εργαλείο. Το βάρος του εργαλείου εφαρμόζει αρκετή πίεση. Η άσκηση δύναμης και η υπερβολική πίεση μπορεί να προκαλέσουν το σπάσιμο του τροχού.
- ΠΑΝΤΟΤΕ να αντικαθιστάτε τον τροχό αν το εργαλείο πέσει κάτω κατά το τρόχισμα.
- ΠΟΤΕ μη χτυπάτε ακούσια ή εκούσια το δίσκο ή τον τροχό επάνω στο αντικείμενο εργασίας.
- Να αποφεύγετε την αναπήδηση και το σκάλωμα του τροχού, ιδιαίτερα όταν εργάζεστε σε γωνίες, αιχμηρές άκρες, κτλ. Μπορεί να προκληθεί απώλεια του ελέγχου και κλώτσημα.
- ΠΟΤΕ μη χρησιμοποιείτε το εργαλείο με λάμες κοπής ξύλου και άλλου είδους πριονολάμες. Όταν χρησιμοποιούνται τέτοιες λάμες στον τροχό, προκαλείται συχνά κλώτσημα και απώλεια του ελέγχου προκαλώντας τον ατομικό τραυματισμό.

⚠️ ΠΡΟΣΟΧΗ:

- Ποτέ μη θέτετε το εργαλείο σε λειτουργία όταν βρίσκεται σε επαφή με το τεμάχιο εργασίας, διαφορετικά μπορεί να προκληθεί τραυματισμός του χειριστή.
- Κατά τη διάρκεια της λειτουργίας να φοράτε πάντοτε προστατευτικά γυαλιά ή προσωπίδα.
- Μετά τη λειτουργία να σβήνετε πάντοτε το εργαλείο και να περιμένετε έως ότου ακινητοποιηθεί ο τροχός πριν αφήσετε το εργαλείο κάτω.
- Να κρατάτε πάντοτε το εργαλείο σταθερά με το ένα χέρι στο περιβλήμα και με το άλλο χέρι στην πλαϊνή λαβή.

Λειτουργία τροχίσματος και λείανσης (Εικ. 17)

Θέστε το εργαλείο σε λειτουργία και κατόπιν τοποθετήστε τον τροχό ή τον δίσκο επάνω στο τεμάχιο εργασίας.

Σε γενικές γραμμές, να κρατάτε την άκρη του τροχού ή του δίσκου σε γωνία περίπου 15° ως προς την επιφάνεια του τεμαχίου εργασίας.

Κατά τη διάρκεια της περιόδου στρωσίματος ενός καινούργιου τροχού, μη χειρίζεστε τον τροχό προς την κατεύθυνση B επειδή θα κόψει μέσα στο τεμάχιο εργασίας. Μόλις στρογγυλοποιηθεί η άκρη του τροχού λόγω χρήσης, μπορείτε να χρησιμοποιήσετε τον τροχό και προς τις δύο κατευθύνσεις A και B.

Εργασία με λειαντικό τροχό κοπής/ διαμαντένιο τροχό (προαιρετικό εξάρτημα) (Εικ. 18)

Για την εγκατάσταση, ακολουθήστε τις οδηγίες του τροχού χαμηλωμένου κέντρου.

Η διεύθυνση για τη στερέωση του ασφαλιστικού παξιμαδιού και της εσωτερικής φλάντζας διαφέρει ανάλογα με το πάχος του τροχού.

Ανατρέξτε στον παρακάτω πίνακα. (Εικ. 19)

⚠️ ΠΡΟΕΙΔΟΠΟΙΗΣΗ:

- Όταν χρησιμοποιείτε τον λειαντικό τροχό κοπής/ διαμαντένιο τροχό, βεβαιωθείτε να χρησιμοποιείτε μόνο το ειδικό προστατευτικό τροχού που έχει σχεδιαστεί για χρήση με τροχούς κοπής. (Σε μερικές Ευρωπαϊκές χώρες, κατά τη χρήση ενός διαμαντένιου τροχού,

- μπορεί να χρησιμοποιηθεί το συνηθισμένο προστατευτικό. Ακολουθήστε τους κανονισμούς της χώρας σας.)
- Μη χρησιμοποιείτε ΠΟΤΕ τον τροχό κοπής για πλευρικό τρόχισμα.
- Μη "μπλοκάρετε" τον τροχό και μην ασκείτε υπερβολική πίεση. Μην επιχειρήσετε να κάνετε υπερβολικά βαθιά κοπή. Αν ασκείτε υπερβολική πίεση στον τροχό αυξάνεται το φορτίο και η ευπάθεια στις δυνάμεις στρέψης και δέσμευσης του τροχού στο σημείο της κοπής, ενώ αυξάνεται και η πιθανότητα κλωστήματος ή σπασίματος του τροχού και της υπερθέρμανσης του μοτέρ.
- Μην ξεκινήσετε την εργασία κοπής στο τεμάχιο εργασίας. Αφήστε τον τροχό να αποκτήσει την πλήρη ταχύτητά του και εισαγάγετε τον προστατευτικό στο σημείο κοπής, μετακινώντας το εργαλείο προς τα εμπρός επάνω στην επιφάνεια του τεμαχίου εργασίας. Αν θέσετε το ηλεκτρικό εργαλείο σε λειτουργία μέσα στο τεμάχιο εργασίας, μπορεί να εμποδιστεί η κίνηση του τροχού ή μπορεί ο τροχός να αναπηδήσει ή να κλωστήσει.
- Μην αλλάζετε ποτέ τη γωνία του τροχού κατά τη διάρκεια των εργασιών κοπής. Αν ασκείτε πλευρική πίεση στον τροχό κοπής (όπως και στο τρόχισμα), ο τροχός θα ραγίσει και θα σπάσει, προκαλώντας το σοβαρό προσωπικό τραυματισμό.
- Πρέπει να χειρίζεστε το διαμαντένιο τροχό κατακόρυφα ως προς το υλικό που πρόκειται να κοπεί.

Λειτουργία με κυπελλοειδή συρματόβουρτσα (προαιρετικό εξάρτημα)

⚠️ ΠΡΟΣΟΧΗ:

- Ελέγξτε τη λειτουργία της βούρτσας λειτουργώντας το εργαλείο χωρίς φορτίο, διασφαλίζοντας ότι δεν βρίσκεται κανείς μπροστά ή στην ίδια γραμμή με την βούρτσα.
- Μην χρησιμοποιήσετε κάποια βούρτσα η οποία έχει υποστεί φθορά ή λειτουργεί ιδιόρρυθμα. Η χρήση μιας βούρτσας που έχει υποστεί φθορά μπορεί να αυξήσει την πιθανότητα τραυματισμού λόγω της επαφής με τα σπασμένα σύρματα της βούρτσας.

Βγάλτε το εργαλείο από την πρίζα και τοποθετήστε το ανάποδα ώστε να έχετε εύκολη πρόσβαση στην άτρακτο. Αφαιρέστε τα οποιαδήποτε εξαρτήματα από την άτρακτο. Στερεώστε την κυπελλοειδή συρματόβουρτσα πάνω στην άτρακτο και σφίξτε την με το παρεχόμενο κλειδί. **(Εικ. 20)** Κατά τη χρήση της βούρτσας αποφεύγετε να ασκείτε μεγάλη πίεση, η οποία προκαλεί την κάμψη των συρμάτων οδηγώντας στην πρόωρη θραύση.

Λειτουργία με συρματόβουρτσα τροχού (προαιρετικό εξάρτημα)

⚠️ ΠΡΟΣΟΧΗ:

- Ελέγξτε τη λειτουργία της συρματόβουρτσας τροχού λειτουργώντας το εργαλείο χωρίς φορτίο, διασφαλίζοντας ότι δεν βρίσκεται κανείς μπροστά ή στην ίδια γραμμή με την συρματόβουρτσα τροχού.
- Μην χρησιμοποιήσετε κάποια συρματόβουρτσα τροχού η οποία έχει υποστεί φθορά ή λειτουργεί ιδιόρρυθμα. Η χρήση μιας συρματόβουρτσας τροχού που έχει υποστεί φθορά μπορεί να αυξήσει την πιθανότητα

τραυματισμού λόγω της επαφής με τα σπασμένα σύρματα.

- ΠΑΝΤΟΤΕ να χρησιμοποιείτε ένα προστατευτικό μαζί με την συρματόβουρτσα τροχού, διασφαλίζοντας ότι η διάμετρος του τροχού ταιριάζει με το εσωτερικό του προστατευτικού. Ο τροχός μπορεί να θρυμματιστεί κατά τη χρήση και το προστατευτικό βοηθά στο να μειωθούν οι πιθανότητες για ατομικό τραυματισμό. Βγάλτε το εργαλείο από την πρίζα και τοποθετήστε το ανάποδα ώστε να έχετε εύκολη πρόσβαση στην άτρακτο. Αφαιρέστε τα οποιαδήποτε εξαρτήματα από την άτρακτο. Περάστε την συρματόβουρτσα τροχού πάνω στην άτρακτο και σφίξτε την με τα κλειδιά. **(Εικ. 21)** Κατά τη χρήση της συρματόβουρτσας τροχού αποφεύγετε να ασκείτε μεγάλη πίεση, η οποία προκαλεί την κάμψη των συρμάτων οδηγώντας στην πρόωρη θραύση.

ΣΥΝΤΗΡΗΣΗ

⚠️ ΠΡΟΣΟΧΗ:

- Να βεβαιώνετε πάντοτε ότι το εργαλείο είναι σβηστό και αποσυνδεδεμένο από το ηλεκτρικό ρεύμα πριν εκτελέσετε οποιαδήποτε εργασία ελέγχου ή συντήρησης σε αυτό.
- Μην χρησιμοποιήσετε βενζίνη, βενζόλη, διαλυτικό, αλκοόλη ή κάτι παρόμοιο. Μπορεί να διακλυθεί αποχρωματισμός, παραμόρφωση ή ρωγμές.

Το εργαλείο και τα ανοίγματα εξερισμού του πρέπει να διατηρούνται καθαρά. Να καθαρίζετε τακτικά τα ανοίγματα εξερισμού του εργαλείου ή όταν αυτά αρχίσουν να φράζουν. **(Εικ. 22)**

Για να διατηρείται η ΑΣΦΑΛΕΙΑ και η ΑΞΙΟΠΙΣΤΙΑ του προϊόντος, οι εργασίες επισκευής, ο έλεγχος και η αλλαγή των καρβουνακίων, καθώς και οποιαδήποτε άλλη εργασία συντήρησης και ρύθμισης, θα πρέπει να εκτελούνται σε εξουσιοδοτημένα κέντρα σέρβις της Makita και πάντοτε με τη χρήση ανταλλακτικών της Makita.

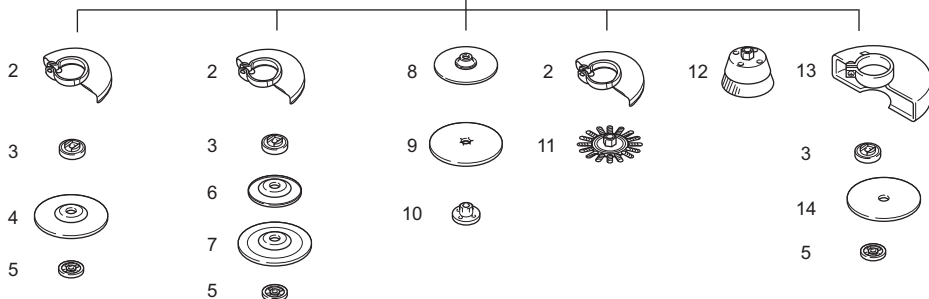
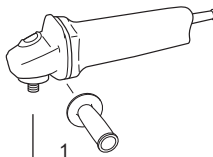
ΠΡΟΑΙΡΕΤΙΚΑ ΑΞΕΣΟΥΑΡ

⚠️ ΠΡΟΣΟΧΗ:

- Συνιστάται η χρήση αυτών των αξεσουάρ ή εξαρτημάτων με το εργαλείο της Makita, όπως περιγράφεται στο παρόν εγχειρίδιο. Αν χρησιμοποιήσετε άλλα αξεσουάρ ή εξαρτήματα μπορεί να παρουσιαστεί κίνδυνος για πρόκληση τραυματισμού προσώπων. Να χρησιμοποιείτε τα αξεσουάρ και τα εξαρτήματα μόνο για το σκοπό για τον οποίο προορίζονται.

Αν χρειάζεστε κάποια βοήθεια ή περισσότερες πληροφορίες σχετικά με τα αξεσουάρ αυτά, απευθυνθείτε στο πλησιέστερο κέντρο εξυπηρέτησης της Makita.

- Προσάρτημα καλύμματος σκόνης



	Μοντέλο 115 mm (4-1/2")	Μοντέλο 125 mm (5")
1	Λαβή 36	
2	Προστατευτικό τροχού (για λειαντικό τροχό)	
3	Εσωτερική φλάντζα Μεγάλη φλάντζα	Εσωτερική φλάντζα Μεγάλη φλάντζα
4	Τροχός χαμηλωμένου κέντρου/πτυσσόμενος δίσκος	
5	Ασφαλιστικό παξιμάδι	Ασφαλιστικό παξιμάδι
6	Πλαστικό επίθεμα	Πλαστικό επίθεμα
7	Τροχός πολλαπλών χρήσεων	Τροχός πολλαπλών χρήσεων
8	Λαστιχένιο επίθεμα 100	Λαστιχένιο επίθεμα 115
9	Λειαντικός δίσκος	
10	Ασφαλιστικό παξιμάδι λείανσης	
11	Συρματόβουρσα τροχού	
12	Κυπελλοειδής συρματόβουρσα	
13	Προστατευτικό τροχού (για τον τροχό κοπής)*	
14	Λειαντικός τροχός κοπής/διαμαντένιος τροχός	
-	Κλειδί ασφαλιστικού παξιμαδιού	

Σημείωση:

* Σε μερικές Ευρωπαϊκές χώρες, κατά τη χρήση ενός διαμαντένιου τροχού, το συνηθισμένο προστατευτικό μπορεί να χρησιμοποιηθεί αντί για το ειδικό προστατευτικό που καλύπτει και τις δυο πλευρές του τροχού. Ακολουθήστε τους κανονισμούς της χώρας σας.

015258

ΣΗΜΕΙΩΣΗ:

- Ορισμένα από τα στοιχεία της λίστας μπορεί να περιέχονται στη συσκευασία του εργαλείου ως κανονικά αξεσουάρ. Αυτά ενδέχεται να διαφέρουν από χώρα σε χώρα.

Θόρυβος

ENG905-1

Το σύνθετος σταθμισμένο επίπεδο θορύβου που έχει καθοριστεί σύμφωνα με την EN60745:

- Επίπεδο ηχητικής πίεσης (L_{pA}): 84 dB (A)
- Επίπεδο ηχητικής ισχύος (L_{WA}): 95 dB (A)
- Αβεβαιότητα (K): 3 dB (A)

Να φοράτε ωτοασπίδες.

Δόνηση

ENG900-1

Η συνολική τιμή δόνησης (διανυσματικό άθροισμα τριών αξόνων) που έχει καθοριστεί σύμφωνα με την EN60745:

Μοντέλο 9564HR

Τρόπος εργασίας: τρόχισμα επιφάνειας με κανονική πλευρική λαβή
Εκπομπή κραδασμών ($a_{h,AG}$): 8,5 m/s²
Αβεβαιότητα (K): 1,5 m/s²

Τρόπος εργασίας: τρόχισμα επιφάνειας με αντικραδαμική πλευρική λαβή
Εκπομπή κραδασμών ($a_{h,AG}$): 8,0 m/s²
Αβεβαιότητα (K): 1,5 m/s²

Τρόπος εργασίας: λείανση με δίσκο
Εκπομπή δόνησης ($a_{h,DS}$): 2,5 m/s² ή λιγότερο
Αβεβαιότητα (K): 1,5 m/s²

Το τεχνικό αρχείο σύμφωνα με την 2006/42/EK είναι διαθέσιμο από:

Makita, Jan-Baptist Vinkstraat 2, 3070, Belgium

Μοντέλο 9565HR

Τρόπος εργασίας: τρόχισμα επιφάνειας με κανονική πλευρική λαβή
Εκπομπή κραδασμών ($a_{h,AG}$): 9,0 m/s²
Αβεβαιότητα (K): 1,5 m/s²

Τρόπος εργασίας: τρόχισμα επιφάνειας με αντικραδασμική πλευρική λαβή
Εκπομπή κραδασμών ($a_{h,AG}$): 7,5 m/s²
Αβεβαιότητα (K): 1,5 m/s²

Τρόπος εργασίας: λείανση με δίσκο
Εκπομπή δόνησης ($a_{h,DS}$): 2,5 m/s² ή λιγότερο
Αβεβαιότητα (K): 1,5 m/s²

28. 5. 2014



Yasushi Fukaya
Διευθυντής

Makita, Jan-Baptist Vinkstraat 2, 3070, Belgium

ENG902-1

- Η δηλωθείσα τιμή των παραγομένων κραδασμών έχει καταμετρηθεί σύμφωνα με την τυποποιημένη μέθοδο δοκιμασίας και μπορεί να χρησιμοποιηθεί για τη σύγκριση ενός εργαλείου με ένα άλλο.
- Η δηλωθείσα τιμή των παραγομένων κραδασμών μπορεί επίσης να χρησιμοποιηθεί για μια προκαταρκτική αξιολόγηση της έκθεσης στους κραδασμούς.
- Η δηλωθείσα τιμή των παραγομένων κραδασμών χρησιμοποιείται για τις κύριες χρήσεις του ηλεκτρικού εργαλείου. Ωστόσο, εάν το ηλεκτρικό εργαλείο χρησιμοποιηθεί για άλλες εφαρμογές, η τιμή των παραγομένων κραδασμών μπορεί να είναι διαφορετική.

ΠΡΟΕΙΔΟΠΟΙΗΣΗ:

- Η εκπομπή κραδασμών κατά τη διάρκεια της πραγματικής χρήσης του ηλεκτρικού εργαλείου μπορεί να διαφέρει από τη δηλωθείσα τιμή των εκπομπών, ανάλογα με τον τρόπο με τον οποίο χρησιμοποιείται το εργαλείο.
- Φροντίστε να λάβετε τα μέτρα ασφαλείας που απαιτούνται για την προστασία του χρήστη που βασίζονται σε μια εκτίμηση της έκθεσης σε πραγματικές συνθήκες χρήσης (λαμβάνοντας υπόψη όλα τα μέρη του κύκλου λειτουργίας, όπως είναι οι περιπτώσεις κατά τις οποίες το εργαλείο είναι απενεργοποιημένο και όταν λειτουργεί στο ρελαντί επιπροσθέτως του χρόνου κατά τον οποίο το εργαλείο βρίσκεται σε χρήση).

Για τις ευρωπαϊκές χώρες μόνο

ENH101-18

ΕΚ – Δήλωση συμμόρφωσης

Η Makita δηλώνει ότι το παρακάτω μηχάνημα(τα):

Ονομασία μηχανήματος:

Γωνιακός τροχός

Αρ. Μοντέλου/Τύπος: 9564HR, 9565HR

Συμμορφώνονται με τις ακόλουθες Ευρωπαϊκές Οδηγίες:

2006/42/EK

Κατασκευάζονται σύμφωνα με το παρακάτω πρότυπο ή τυποποιημένα έγγραφα:

EN60745

TÜRKÇE (Orijinal talimatlar)

Genel görünüm

- | | | |
|---------------------------|------------------------------------|---|
| 1. Şaft kilidi | 12. Esnek disk | 23. Kesici taşlama disk/elmas disk için disk muhafazası |
| 2. Açma/kapama düğmesi | 13. Plastik altlık | 24. Kesici taşlama disk |
| 3. Gösterge lambası | 14. Zımparalama kilit somunu | 25. Elmas disk |
| 4. Disk muhafazası | 15. Taşlama disk | 26. Kalınlık: 4 mm'nin (5/32") altında |
| 5. Yatak kutusu | 16. Kauçuk altlık | 27. Kalınlık: 4 mm (5/32") ve üzeri |
| 6. Vida | 17. A İşareti | 28. Tel temizleme fırçası |
| 7. Mandal | 18. B İşareti | 29. Tel disk fırçası |
| 8. Kilit somunu | 19. C İşareti | 30. Hava çıkış kanalı |
| 9. Ortası çukur disk | 20. Pim | 31. Hava giriş kanalı |
| 10. İç flanş | 21. Hava kanalı | |
| 11. Kilit somunu anahtarı | 22. Kesici taşlama disk/elmas disk | |

ÖZELLİKLER

Model	9564HR	9565HR
Disk çapı	115 mm (4-1/2")	125 mm (5")
Maks. disk kalınlığı	6,4 mm	
Mil dişi	M14 veya 5/8" (ülkeye özel)	
Anma devri (n)/Yüksüz devri (n ₀)	12.000 dak ⁻¹	
Toplam uzunluk	299 mm	
Net ağırlık	2,3 kg	2,4 kg
Güvenlik sınıfı	□/II	

- Sürekli yapılan araştırma ve geliştirmelerden dolayı, burada belirtilen özellikler önceden bildirilmeksizin değiştirilebilir.
- Özellikler ülkeden ülkeye farklılıklar gösterebilir.
- EPTA Prosedürü 01/2003 uyarınca ağırlık

Kullanım amacı ENE048-1

Bu makine, metal ve taş malzemeleri su kullanmadan taşlamak, zımparalamak ve kesmek için tasarlanmıştır.

Güç kaynağı ENF002-2

Makine yalnızca üzerindeki etikette belirtilen voltaj değerlerine sahip, tek fazlı AC güç kaynaklarına bağlanmalıdır. Çift yalıtımlıdır ve bu nedenle topraksız prizlerle de kullanılabilir.

Genel Elektrikli Aletler Güvenlik Uyarıları

GEA010-1

⚠ UYARI Tüm güvenlik uyarılarını ve tüm talimatları okuyun. Verilen uyarılara ve talimatlara uyulmaması elektrik çarpmasına, yangına ve/veya ciddi yaralanmalara yol açabilir.

Tüm uyarıları ve talimatları ilerde başvurmak üzere saklayın.

TAŞLAMA MAKİNESİYLE İLGİLİ GÜVENLİK UYARILARI

GEB033-7

Taşlama, Zımparalama, Tel Fırçalama ve Kesme İşlemleri için Genel Güvenlik Uyarıları:

1. Bu elektrikli alet taşlama, zımparalama, tel fırçalama ve kesme aleti olarak kullanılmak üzere tasarlanmıştır. Bu elektrikli alet ile birlikte verilen tüm uyarıları, talimatları, çizimleri ve özellikleri dikkatli bir şekilde okuyun. Aşağıda verilen
2. talimatların herhangi birine uyulmaması elektrik çarpmasına, yangına ve/veya ciddi yaralanmalara yol açabilir.
3. Bu aletin parlatma vs. gibi işlemler için kullanılması önerilmemektedir. Bu aletle alet için tasarlanmamış işlemlerin yapılması tehlike oluşturabilir ve yaralanmalara neden olabilir.
4. Alet üreticisi tarafından özel olarak tasarlanmamış ve önerilmeyen aksesuarları kesinlikle kullanmayınız. Herhangi bir aksesuarın alete tam olarak takılabilmesi, o aksesuarın kullanımının güvenli olduğu anlamına gelmemektedir.
5. Kullanılacak aksesuarın anma hızı en azından alet üzerinde belirtilen maksimum hıza eşit olmalıdır. Anma hızından daha hızlı çalışan aksesuarlar kırılabilir veya fırlayabilir.
6. Kullanılacak aksesuarın dış çapı ve kalınlığı mutlaka aletin kapasite değeri aralığı içerisinde olmalıdır. Boyutu doğru seçilmemiş aksesuarlar gerektiği şekilde muhafaza ve kontrol edilemez.
7. Aksesuarların dişli kısımları mutlaka taşlamanın mil dişlerine uygun olmalıdır. Flanşlarla monte edilen aksesuarlar için, aksesuarın delik çapı mutlaka flanşın montaj çapına uymalıdır. Makinenin montaj parçalarına uygun olmayan aksesuarlar dengesiz çalışır, aşırı titreşime neden olur ve ayrıca makinenin kontrolden çıkmasına yol açabilir.
8. Hasarlı aksesuarları kesinlikle kullanmayın. Her kullandıktan önce taşlama disklerinde herhangi bir çapak veya çatlama olup olmadığını, disk altlığında çatlama, yırtık veya aşırı yıpranma olup olmadığını ve tel fırça üzerinde gevşek veya

çatlamış tel olup olmadığını kontrol ediniz. Aletin veya herhangi bir aksesuarının yere düşmesi halinde, alette ve aksesuarlarda hasar olup olmadığını kontrol edin ve gerekli olması halinde hasarlı aksesuarları değiştirin. Aksesuar kontrol edip alete taktıktan sonra aksesuarın dönme düzleminden çekilin ve etraftaki kişilerin de bu düzlemde durmadığından emin olun, daha sonra aleti maksimum yüksüz hızda bir dakika boyunca çalıştırın. Hasarlı aksesuarlar normal koşulda bu test süresi içerisinde çıkar.

8. **Uygun kişisel koruyucu ekipmanlar kullanınız. Uygulamaya bağlı olarak yüz koruyucu kask ve geniş veya normal emniyet gözlükleri kullanınız. Toz maskesi, kulak koruyucu, eldivenler ve küçük disk veya iş parçası parçalarını durdurabilecek nitelikte çalışma önlüğü kullanınız.** Göz koruyucu ekipmanın mutlaka farklı işlemler sırasında fırlayabilecek küçük parçaları durdurabilecek nitelikte olması gerekmektedir. Kullanılacak toz maskesi veya respiratör mutlaka çalışma sırasında ortaya çıkabilecek partikülleri engelleyecek nitelikte olmalıdır. Yüksek seviyeli gürültüye uzun süre maruz kalınması duyma bozukluklarına yol açabilir.
9. **Çevredeki kişileri çalışma alanından güvenli bir uzaklıkta tutunuz. Çalışma alanına giren herkes mutlaka uygun kişisel koruyucu ekipmanlar kullanmalıdır.** İş parçasının veya kırılan bir aksesuarın kopan parçaları, sıçrayabilir ve aletin yakın çevresinde bulunan kişilerin yaralanmasına neden olabilir.
10. **Kesme aksesuarının gömülü kablolarına veya makinenin kendi kablosuna temas edebileceği işlemleri gerçekleştirirken mutlaka izole edilmiş kavrama yüzeylerinden tutun.** Kesici parçanın elektrik akımı bulunan kablolarla temas etmesi halinde akım, iletken metal parçalar üzerinden operatöre iletilerek, elektrik çarpmasına yol açabilir.
11. **Kabloyu dönen aksesuarlardan uzak tutun.** Kontrolü kaybetmeniz halinde kablo, kesilerek veya takılarak elinizi veya kolunuzu dönen aksesuara kaptırmınıza neden olabilir.
12. **Aksesuar tamamen durmadan aleti kesinlikle bırakmayın.** Hareketli aksesuar zemine çarparak aletin kontrolden çıkmasına neden olabilir.
13. **Taşlama esnasında aleti kesinlikle çalıştırmayınız.** Hareketli aksesuar, kazara kıyafetinize temas etmesi halinde yaralanmanıza neden olabilir.
14. **Aletin hava kanallarını düzenli olarak temizleyiniz.** Motor fanı tozu muhafazanın içine doğru çeker ve metal tozlarının aşırı şekilde birikmesi elektrik tehlikelerinin ortaya çıkmasına yol açabilir.
15. **Aleti alev alıcı malzemelerin yakınında çalıştırmayın.** Kıvılcımlar bu malzemelerin tutuşmasına neden olabilir.
16. **Sıvı soğutucu gerektiren aksesuarlar kullanmayınız.** Su veya diğer soğutucu sıvılarının kullanılması elektrik çarpmasına veya elektrik şokuna neden olabilir.

Geri Tepme ve İlgili Uyarılar

Geri tepme dönen disk, disk altlığının, fırçanın veya diğer aksesuarların sıkışması veya takılmasına karşı doğan ani bir tepkidir. Hareketli aksesuarın sıkışması veya takılması, aksesuarın hızını kaybetmesine ve

dolayısıyla aletin kontrolsüz bir şekilde aksesuarın sıkışman veya takılmanın meydana geldiği noktadaki yönünün tersine zorlanmasına neden olur. Örnek olarak, bir zımpara diskinin sıkışması veya takılması halinde, disk sıkışma noktasına giren kenarı malzeme yüzeyine girerek, diskin çıkmasına veya geri tepmesine neden olur. Disk, diskin sıkışma noktasındaki hareket yönüne bağlı olarak operatöre doğru geri tepileceği gibi, operatörden uzağa doğru da geri tepilebilir. Ayrıca, zımpara diskleri bu tür koşulların meydana gelmesi halinde kırılabilir. Geri tepme, aletin yanlış kullanımının ve/veya aletin yanlış işlemlerle ya da yanlış koşullar altında çalıştırılmasının bir sonucudur ve bundan kaçınmak için aşağıdaki önlemlerin alınması gerekir.

- a) **Elektrikli aleti sıkıca tutmaya devam edin ve vücudunuzu ve kollarınızı geri tepme kuvvetine karşı koyacak biçimde konumlandırın. Başlatma sırasında geri tepmeyi veya tork reaksiyonunu maksimum şekilde kontrol edebilmek için ürünü birlikte verilmesi halinde mutlaka yardımcı kolu kullanınız.** Uygun önlemlerin alınması halinde operatör, tork reaksiyonlarını ve geri tepme kuvvetlerini kontrol edebilir.
- b) **Elinizi kesinlikle dönen aksesuarın yakınına koymayınız.** Aksesuar elinize doğru geri tepilebilir.
- c) **Herhangi bir geri tepme durumunda aletin gidebileceği alanda durmayınız.** Geri tepme durumunda alet, diskin sıkışma noktasındaki hareket yönünde ters yönde itilebilir.
- d) **Özellikle köşeli, sivri kenarlı vs. çalışma parçaları ile çalışırken dikkatli olunuz. Aksesuarın sekmesine veya takılmasına izin vermemeyiniz.** Köşeler, sivri kenarlar veya sıçrayan malzemeler dönen aksesuara takılabilir ve aletin kontrolden çıkmasına veya geri tepmesine neden olabilir.
- e) **Testere zincirine açığa oyma bıçağı ya da dişli testere bıçağı takmayın.** Bu tür bıçaklar sıkça geri tepmeye neden olur ve kontrolün kaybedilmesine yol açar.

Taşlama ve Kesme İşlemlerine Özel Güvenlik Uyarıları:

- a) **Sadece elektrikli aletiniz için önerilen disk tiplerini ve seçilen disk tipi için özel olarak tasarlanmış koruyucu kapağı kullanın.** Elektrikli aletiniz için özel olarak tasarlanmamış diskler yeterli ölçüde kapatılmazlar ve bu nedenle güvenli değildir.
- b) **Ortası çukur disklerin taşlama yüzeyi mutlaka koruyucu kenar düzleminin altına monte edilmelidir.** Koruma kenarı düzleminden çıkacak şekilde, yanlış takılan bir disk yeterli şekilde korunamaz.
- c) **Koruyucu kapak mutlaka güvenli bir şekilde takılması ve güvenliği maksimum ölçüde sağlayacak ve diskin kullanıcıya bakan kısmını mümkün olduğunca kapatacak şekilde yerleştirilmelidir.** Muhafaza, operatör kırılan disk parçalarına, kazara diske temas etmesine ve kıyafetlerinin tutuşmasına neden olabilecek kıvılcımlara karşı korur.
- d) **Diskler mutlaka sadece önerilen uygulamalarda kullanılmalıdır. Örneğin: kesme diskinin kenarını kesinlikle taşlama amacıyla kullanmayın.** Kesici taşlama diskleri çevresel taşlama için tasarlanmıştır

ve bu disklere uygulanan yan kuvvetler disklerin kırılmasına neden olabilir.

e) **Mutlaka seçilen disk için hasarsız, doğru büyüklükte ve şekilde disk flanşları kullanın.**

Uygun disk flanşları diski destekleyecek ve böylece diskin kırılma olasılığını azaltacaktır. Kesme diskleri için kullanılan flanşlar, taşıma diski flanşlarından farklı olabilir.

f) **Daha büyük aletlere ait aşınmış diskleri kesinlikle kullanmayın.** Daha büyük aletler için tasarlanan diskler, daha küçük ve daha hızlı aletler için uygun değildir ve kırılabilir.

Taşıma ve Kesici Taşıma İşlemlerine Özel İlave Güvenlik Uyarıları:

a) **Kesme diskinin bloke olmasına izin vermeyin ve aşırı basınç uygulamayın. Aşırı derinlikte kesme yapmaya çalışmayın.** Diskin aşırı derecede zorlanması disk üzerindeki yükleri artırır, diskin daha kolay eğilmesine ve bükülmesine yol açar ve geri tepme ve diskin kırılma ihtimalini artırır.

b) **Dönen disk ile aynı hızda veya dönen diskin arkasında durmayın.** Disk çalışma noktasında operatörden uzağa doğru hareket ederken bir geri tepme olması halinde dönen disk ve alet doğrudan operatöre doğru savrulabilir.

c) **Diskin sıkışması veya herhangi bir nedenden dolayı işleme ara verilmesi durumunda, aleti kapatınız ve disk tamamen durana kadar aleti bırakmayınız. Disk dönerken kesinlikle kesme diskinin iş parçasından çıkarmaya çalışmayınız, aksi takdirde geri tepme olabilir.** Diskin sıkışmasının nedenlerini araştırın ve bunları ortadan kaldırmak için gerekli düzeltici önlemleri alın.

d) **Disk, işparçasıyken kesme işlemine yeniden başlamayın. Diskin tekrar tam hızına ulaşmasını bekleyin ve işparçasını dikkatli bir şekilde yeniden kesmeye başlayın.** Disk, işparçasıyken makinenin yeniden çalıştırılması halinde disk sıkışabilir, kayabilir veya geri tepebilir.

e) **Diskin sıkışma ve geri tepme riskini minimum seviyeye indirmek için levhaları ve normalden büyük iş parçalarını destekleyin.** Büyük iş parçaları kendi ağırlıkları altında bükülme eğilimi gösterirler. Kesim çizgisinin yanına ve diskin her iki tarafında iş parçasının kenarlarına gelecek şekilde iş parçasının altına destekler yerleştirilmelidir.

f) **Mevcut duvarlara veya diğer kör noktalara "dalma kesmesi" yaparken daha dikkatli olun.** Malzeme içine dalan diskler kesme işlemi sırasında gaz ve su borularına, elektrik kablolarına veya diğer nesnelere rastlayarak geri tepme kuvveti oluşturabilir.

Zımparalama İşlemleri İçin Özel Güvenlik Uyarıları:

a) **Aşırı büyük zımpara diski kağıdı kullanmayın. Zımpara kağıdını seçerken üreticinin önerilerini dikkate alın.** Zımpara altlığında taşan zımpara kağıtları yaralanma tehlikesi oluşturabilir ve diskin sıkışmasına veya yırtılmasına veya geri tepme kuvvetlerinin oluşmasına neden olabilir.

Tel Fırçalama İşlemlerine Özel Güvenlik Uyarıları:

a) **Tel fırçanın normal çalışma koşullarında da telerini kaybettiğine dikkat edin. Tellerin fazla gerilmemesi için fırçaya aşırı yük uygulamayın.** Kopan veya fırlayan tel parçaları ince kıyafetleri veya derinizi kolaylıkla delebilir.

b) **Tel fırçalama işlemi için bir koruyucu kapağın kullanılması öneriliyorsa, koruyucu kapak ile tel diskin veya tel fırçanın temas etmesini önleyin.** Tel disklerin veya fırçaların çapları, çalışma yükü ve merkezkaç kuvvetleri nedeniyle genişleyebilir.

Ek Güvenlik Uyarıları:

17. **Ortaş çukur taşıma diskleri ile sadece fibreglas ile güçlendirilmiş disklerin kullanıldığından emin olun.**
18. **Bu taşıma makinesiyle birlikte KESİNLİKLE Konik Taşıma diskleri KULLANMAYIN.** Bu taşıma makinesi bu tür disklerle birlikte kullanım için tasarlanmamıştır ve böyle bir ürünün kullanımı ciddi yaralanmalara neden olabilir.
19. **Mile, flanşa (özellikle montaj yüzeyine) ve tespit somununa zarar vermeme için dikkatli hareket edin.** Bu parçalara verilecek zararlar diskin kırılmasına neden olabilir.
20. **Diskin alet çalıştırılmadan önce iş parçasıyla temas etmemesine dikkat edin.**
21. **Aleti gerçek bir iş parçası üzerinde kullanmadan önce bir süre boş çalıştırın. Titreşim ya da sarsıntı olup olmadığına dikkat edin. Titreşimler ve sarsıntılar, diskin yanlış takıldığından veya uygun şekilde dengelenmediğinin göstergesidir.**
22. **Taşıma yaparken, taşımayı gerçekleştirecek diskin belirtilen yüzeyini kullanın.**
23. **Makineyi çalışır durumda bırakıp uzaklaşmayın. Makineyi yalnızca ellerinizle tutarken çalıştırın.**
24. **Çalışmanız bittikten hemen sonra işlediğiniz parçaya dokunmayın. Parça, aşırı sıcak olabileceğinden yanıklara yol açabilir.**
25. **Diskleri takarken ve kullanırken üreticinin talimatlarını dikkate alın. Diskleri dikkatle bir şekilde kullanın ve muhafaza edin.**
26. **Büyük delikli zımpara disklerini alete uydurmak için bağımsız daraltma burçları veya adaptörleri kullanmayın.**
27. **Yalnızca bu alet için belirtilen flanşları kullanın.**
28. **Dişli delikli disk takılması öngörülen aletlerde diskteki dişlinin, mil uzunluğunu karşılayacak kadar uzun olmasına dikkat edin.**
29. **İş parçasının sağlam bir şekilde desteklendiğinden emin olun.**
30. **Aleti kapattıktan sonra diskin bir süre daha dönmeye devam ettiğini dikkate alın.**
31. **Çalıştığınız ortam aşırı sıcak ve nemli ise veya yoğun biçimde iletken tozla kaplı ise güvenli bir çalışma için bir kısa devre kesicisi (30 mA) kullanın.**
32. **Aleti asbest içeren malzemelerde kullanmayın.**
33. **Kesme diskinin kullanırken, mutlaka ilgili yönetmelikte belirtilen toz toplayıcı disk koruyucusu ile çalışın.**
34. **Kesme diskleri hiçbir yanal basınca maruz bırakılmamalıdır.**

BU TALİMATLARI SAKLAYIN.

⚠ UYARI:

Ürünü kullanırken (defalarca kullanmanın getirdiği) rahatlık ve tanıdıklık duygusunun, güvenlik kurallarına sıkı sıkıya bağlı kalmanızı önlemesine İZİN

VERMEYİN. YANLIŞ KULLANIM veya bu kullanım kılavuzunda belirtilen güvenlik kurallarına uyulmaması ciddi yaralanmalara neden olabilir.

KULLANIMA İLİŞKİN TANIMLAR

⚠ DİKKAT:

- Makine üzerinde herhangi bir ayar veya çalışma kontrolü yapmadan önce mutlaka makinenin kapalı ve fişinin çekili olduğundan emin olun.

Şaft kilidi

⚠ DİKKAT:

- Mil dönerken şaft kilidini kesinlikle devreye sokmayın. Aksi takdirde makine hasar görebilir. **(Şekil 1)** Aksesuarları çıkarırken veya takarken milin dönmelerini engellemek için şaft kilidine basın.

Açma/kapama işlemi

⚠ DİKKAT:

- Makineyi prize takmadan önce, mutlaka açma/kapama düğmesinin kusursuz çalıştığını ve açma/kapama düğmesi bırakıldığında "KAPALI" konuma döndüğünü kontrol edin.
- Uzun süreli kullanımlarda operatöre kolaylık sağlanması için açma/kapama düğmesi "AÇIK" konumda kilitlenebilir. Makineyi "AÇIK" konumda kilitlerken dikkatli olun ve makineyi sıkıca kavrayın.

Makineyi çalıştırmak için, açma/kapama düğmesini arkasına bastırarak "I (AÇIK)" konumuna kaydırın. Devamlı çalıştırma için, açma/kapama düğmesinin ön kısmına bastırarak kilitleyin. **(Şekil 2)** Makineyi durdurmak için, açma/kapama düğmesinin arkasına basın ve ardından "O (KAPALI)" konumuna kaydırın.

Gösterge lambası (Şekil 3)

Makine prize takıldığında gösterge lambası yanar. Gösterge lambası yanmıyorsa, elektrik kablosu veya kontrolör arızalı olabilir. Gösterge lambası yanıyor, ancak açma/kapama düğmesi açık konuma getirilmesine rağmen makine çalışmıyorsa, karbon fırçalar aşınmış veya kontrolör, motor veya açma/kapama düğmesi bozulmuş olabilir.

İstem dışı başlatma önleme özelliği

Makineye elektrik beslense dahi, açma/kapama düğmesi kilitli olduğundan makine çalışmaz.

Bu sırada gösterge lambası, kırmızı yanıp sönmeye istem dışı başlatma önleme işlevinin açık konumda olduğunu gösterir.

İstem dışı başlatma önleme işlevini iptal etmek için, açma/kapama düğmesini "O (KAPALI)" konumuna geri getirin ve bırakın.

Yumuşak başlatma özelliği

Yumuşak başlatma özelliği ilk çalıştırma şokunu bastırır.

MONTAJ

⚠ DİKKAT:

- Makine üzerinde herhangi bir işlem yapmadan önce mutlaka makinenin kapalı ve fişinin çekili olduğundan emin olun.

Yan kolun (sapın) takılması

⚠ DİKKAT:

- Çalışmaya başlamadan önce yan kolun güvenli bir şekilde sabitlendiğinden emin olun.

Makine, şekilde gösterilen konumdayken yan kolu sıkıca vidalayın. **(Şekil 4)**

Disk muhafazasının takılması ve çıkartılması (Ortası çukur disk, flap disk, esnek disk, tel disk fırçası/kesici taşlama diski ve elmas disk için)

⚠ UYARI:

- Ortası çukur disk, flap disk, esnek disk veya tel disk fırçası kullanılırken, disk muhafazası mutlaka kapalı tarafı operatöre bakacak şekilde takılı olmalıdır.
- Kesici taşlama diski/elmas disk kullanılırken, kesme diskleriyle kullanım için tasarlanan özel bir disk muhafazasının kullanıldığından emin olun. (Bazı Avrupa ülkelerinde elmas disk kullanılırken, normal muhafaza kullanılabilmektedir. Bulduğunuz ülkede yürürlükte olan kurallara uyun.)

Sıkıştırma mandalı tipinde disk muhafazasına sahip makineler için (Şekil 5)

Vidayı gevşetin ve ardından mandalı ok yönünde çekin. Disk muhafazasını, disk muhafazası bandı üzerindeki çıkıntılar, yatak kutusu üzerindeki girintilerle aynı hizaya gelecek şekilde takın. Daha sonra disk muhafazasını, çalışma pozisyonuna göre operatörü koruyacağı bir açığa getirin.

Mandalı ok yönünde çekin. Ardından, vidayı sıkarak disk muhafazasını sabitleyin. Vidanın sağlam şekilde sıkıldığından emin olun. Disk muhafazasının ayar açısı, mandal ile ayarlanabilir. **(Şekil 6)** Disk muhafazasını çıkartmak için takma işlemlerini ters sırayla uygulayın.

Kilitleme vidası tipinde disk muhafazasına sahip makineler için (Şekil 7 ve 8)

Disk muhafazasını, disk muhafazası bandı üzerindeki çıkıntılar, yatak kutusu üzerindeki girintilerle aynı hizaya gelecek şekilde takın. Daha sonra disk muhafazasını, çalışma pozisyonuna göre operatörü koruyacağı bir açığa getirin. Vidanın sağlam şekilde sıkıldığından emin olun. Disk muhafazasını çıkartmak için takma işlemlerini ters sırayla uygulayın.

Ortası çukur diskin veya flap diskin (opsiyonel aksesuar) takılması ve çıkartılması

⚠ UYARI:

- Ortası çukur disk veya flap disk kullanılırken, disk muhafazası mutlaka kapalı tarafı operatöre bakacak şekilde takılı olmalıdır.

İç flanş mil üzerine takın.

İç flanşın tırtıklı parçasının milin altındaki düz parçaya oturduğundan emin olun.
Diski iç flanşın üzerine yerleştirin ve kilit somununu mile vidalayın. **(Şekil 9)**
Kilit somununu sıkarak için şaft kilidini sıkıca bastırarak milin dönmelerini önleyin ve ardından bir somun anahtarı kullanarak kilit somununu saat yönünde çevirerek iyice sıkın. **(Şekil 10)**
Diski sökmek için takma işlemlerini ters sırayla uygulayın.

Süper flanş (opsiyonel aksesuar)

F harfi içeren modellerde Süper flanş standart olarak takılıdır. Kilit somununun açılması için klasik modele kıyasla, gerekli kuvvetin yalnızca 1/3'ünün uygulanması yeterlidir.

Esnek diskin takılması veya çıkarılması (opsiyonel aksesuar)

⚠ UYARI:

- Esnek disk makine üzerine takılıyken mutlaka ürüne verilen muhafazayı kullanın. Kullanım esnasında disk kırılabilir. Bu durumda muhafaza yaralanma riskini azaltacaktır.

Ortası çukur disk için verilen talimatları takip edin ve disk üzerinde plastik altlık kullanın. Bu kılavuzun aksesuarlar sayfasındaki montaj sırasına dikkat edin. **(Şekil 11)**

Taşlama diskinin takılması veya çıkarılması (opsiyonel aksesuar)

NOT:

- Yalnızca bu kullanım kılavuzunda belirtilen zımparalama aksesuarlarını kullanın. Bu aksesuarların ayrıca satın alınması gerekir.

Kauçuk altlığı mile monte edin. Diski kauçuk altlığa yerleştirin ve zımparalama kilit somununu mile vidalayın. Zımparalama kilit somununu sıkarak için şaft kilidini sıkıca bastırarak milin dönmelerini önleyin ve ardından bir kilit somunu anahtarı kullanarak kilit somununu saat yönünde çevirerek iyice sıkın. **(Şekil 12)**
Diski sökmek için, montaj işlemlerini ters sırayla uygulayın.

Toz kapağının takılması veya çıkarılması (opsiyonel aksesuar)

⚠ UYARI:

- Toz kapağını takmadan veya sökmeden önce makinenin mutlaka kapalı ve fişinin çekili olduğundan emin olun. Aksi takdirde, makine hasar görebilir veya yaralanmalar meydana gelebilir.

Üç tip toz kapağı vardır ve bunların her biri farklı bir konumda kullanılır. **(Şekil 13, 14 ve 15)**

Toz kapağını, (A, B veya C) işaretli yan tarafı makinenin kafasına bakacak şekilde yerleştirin. Toz kapağı parçasının pimlerini hava kanalına geçirin. **(Şekil 16)**
Toz kapağı elle de çıkarılabilir.

NOT:

- Toz kapağını toz veya diğer yabancı maddelerle tıkanmış zaman temizleyin. Tıkalı bir toz kapağı ile çalışmayı sürdürmek makineye zarar verebilir.

ÇALIŞTIRMA

⚠ UYARI:

- Hiçbir durumda makineyi zorlamanıza gerek olmayacaktır. Makinenin ağırlığı yeterli baskı uygular. Zorlama ve aşırı baskı diskin tehlikeli şekilde kırılmasına yol açabilir.
- Taşlama esnasında makineyi düşürürseniz, disk MUTLAKA değiştirin.
- Taşlama diskinin KESİNLİKLE iş parçası üzerine çarpmayın veya vurmuyun.
- Özellikle köşelerde, keskin kenarlarda vs. çalışırken diskin sekmesine veya takılmasına izin vermeyin. Bu, kontrol kaybına ve geri tepmeye neden olabilir.
- Makineye KESİNLİKLE ahşap kesme bıçaklarını ve diğer testere bıçaklarını kullanmayın. Bu bıçaklar bir taşlama makinesinde kullanıldıkları zaman, sık sık tepme yaparak kontrol kaybına ve dolayısıyla yaralanmalara neden olabilir.

⚠ DİKKAT:

- İş parçasıyla temas halindeyken makineyi asla çalıştırmayın. Aksi takdirde yaralanabilirsiniz.
- Çalışma sırasında daima koruyucu gözlük veya yüz maskesi kullanın.
- Çalışma sonrasında makineyi mutlaka kapatın ve makineyi bırakmadan önce diskin tamamen durmasını bekleyin.
- Makineyi daima bir elinizle gövdeden ve diğer elinizle yan koldan sıkıca tutarak çalıştırın.

Taşlama ve zımparalama işlemi (Şekil 17)

Makineyi çalıştırın ve disk iş parçasına uygulayın. Genel olarak, disk iş parçası yüzeyine yaklaşık 15°'lik bir açıyla tutmaya dikkat edin.

Yeni bir diskle ilk uygulamayı yaparken, taşlama makinesini B yönünde çalıştırmayın, aksi takdirde iş parçası kesiyecektir. Disk kenarı kullanım nedeniyle yuvarlaklaşınca, disk hem A hem de B yönünde kullanabilirsiniz.

Kesici taşlama diski/elmas disk ile çalışma (opsiyonel aksesuar) (Şekil 18)

Takılmasıyla ilgili olarak, ortası çukur disk için verilen talimatları takip edin.

Kilit somununun ve iç flanşın montaj yönü, disk kalınlığına göre farklılık gösterir.

Aşağıdaki tabloya bakın. **(Şekil 19)**

⚠ UYARI:

- Kesici taşlama diski/elmas disk kullanılırken, kesme diskleriyle kullanım için tasarlanan özel bir disk muhafazasının kullanıldığından emin olun. (Bazı Avrupa ülkelerinde elmas disk kullanılırken, normal muhafaza kullanılabilir. Bulduğunuz ülkede yürürlükte olan kurallara uyun.)
- Yan taşlama işlemi için KESİNLİKLE kesme diskinin kullanmayın.
- Kesme diskinin "sıkışmasına" izin vermeyin ve aşırı basınç uygulamayın. Aşırı derinlikte kesme yapmaya çalışmayın. Diskin aşırı derecede zorlanması disk üzerindeki yükleri artırır, diskin daha kolay eğilmesine ve bükülmesine yol açar, geri tepme ve diskin kırılma ihtimalini artırır ve motorun aşırı ısınmasına neden olabilir.

- Disk iş parçasındayken kesme işlemine başlamayın. Diskin tam hızına ulaşmasını bekleyin ve makineyi iş parçasının yüzeyi üzerinde ileri doğru hareket ettirerek dikkatli bir şekilde çalıştırın. Disk iş parçasındayken makinenin çalıştırılması halinde disk sıkışabilir, kayabilir veya geri tepebilir.
- Kesme işlemi sırasında diskin açısını kesinlikle değiştirmeyin. Kesme diskine yan taraftan basınç uygulanması (taşlamada da olduğu gibi) diskin çatlamasına ve kırılmasına ve ciddi yaralanmalara neden olabilir.
- Elmas disk mutlaka kesilecek malzemeye dik olarak çalıştırılmalıdır.

- Kesinlikle gazolin, benzin, tiner, alkol veya benzeri bir madde kullanmayın. Aksi takdirde renk bozulması, deformasyon veya çatlaklar meydana gelebilir.
- Makine ve havalandırma kanalları mutlaka temiz tutulmalıdır. Makinenin havalandırma kanallarını düzenli olarak ya da kanallar tıkanmaya başlayınca temizleyin.
- (Şekil 22)**
Ürünün EMNİYETLİ ve GÜVENİLİR durumda tutulması için tüm onarımlar, karbon fırça kontrolü, parça değiştirme, bakım ve ayarlamalar mutlaka Makita yedek parçaları kullanılarak, Makita yetkili servisleri veya fabrika servis merkezleri tarafından yapılmalıdır.

OPSİYONEL AKSESUARLAR

⚠ DİKKAT:

- Bu kullanım kılavuzunda tanıtılan Makita marka makineyle aşağıdaki aksesuarların ve parçaların kullanılması önerilir. Bunların dışında başka aksesuarların veya parçaların kullanılması yaralanmalara yol açabilir. Aksesuarlar ve parçalar doğru şekilde ve öngörüldükleri işlevler için kullanılmalıdır.

Aksesuarlara ilişkin daha ayrıntılı bilgi almak için size en yakın yetkili Makita servisine başvurabilirsiniz.

- Toz kapağı

Tel temizleme fırçası ile çalışma (opsiyonel aksesuar)

⚠ DİKKAT:

- Makineyi yüksüz çalıştırarak fırçanın çalışmasını kontrol edin ve bu sırada fırçanın önünde veya çevresinde kimsenin olmadığından emin olun.
- Hasarlı veya dengesiz fırçaları kesinlikle kullanmayın. Hasarlı bir fırçanın kullanılması, kopmuş fırça tellerinden dolayı yaralanma riskini arttırabilir.

Makineyi prizden çekin ve mile kolayca ulaşabilmek için ters olarak yerleştirin. Mildeki tüm aksesuarları çıkartın.

Tel temizleme fırçasını mile yerleştirin ve ürünle verilen anahtarı kullanarak sıkın. **(Şekil 20)**

Fırça kullanılırken, çok fazla basınç uygulamaktan kaçının, aksi takdirde teller eğilebilir ve aksesuarın zamanından önce yıpranmasına neden olabilir.

Tel disk fırçası ile çalışma (opsiyonel aksesuar)

⚠ DİKKAT:

- Makineyi yüksüz çalıştırarak tel disk fırçasının çalışmasını kontrol edin ve bu sırada fırçanın önünde veya çevresinde kimsenin olmadığından emin olun.
- Hasarlı veya dengesiz tel disk fırçalarını kesinlikle kullanmayın. Hasarlı bir tel disk fırçasının kullanılması, kopmuş fırça telleri nedeniyle yaralanma riskini arttırabilir.
- Tel disk fırçaları ile birlikte DAİMA muhafaza kullanın ve diskin çapının muhafazanın yuvasına uygun olduğundan emin olun. Kullanım esnasında disk kırılabilir. Bu durumda muhafaza yaralanma riskini azaltacaktır.

Makineyi prizden çekin ve mile kolayca ulaşabilmek için ters olarak yerleştirin. Mildeki tüm aksesuarları çıkartın.

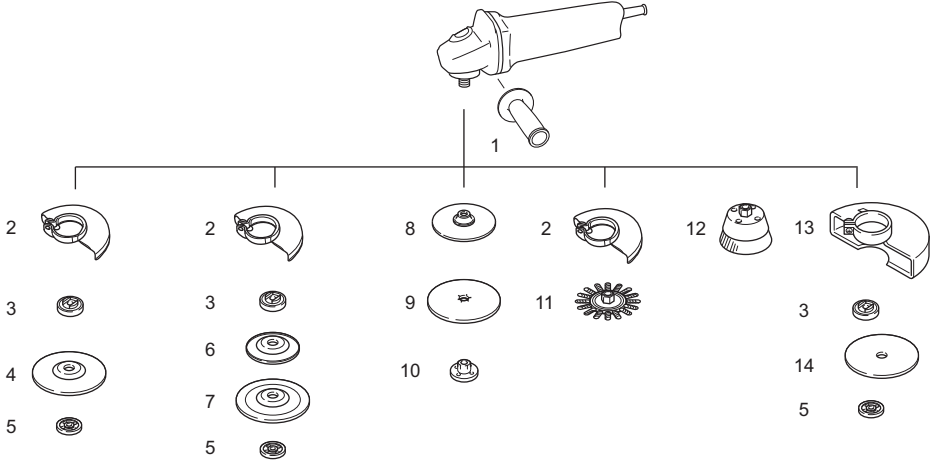
Tel disk fırçasını mile yerleştirin ve anahtarlar yardımıyla sıkın. **(Şekil 21)**

Tel disk fırçasını kullanırken, çok fazla basınç uygulamaktan kaçının, aksi takdirde teller eğilebilir ve aksesuarın zamanından önce yıpranmasına neden olabilir.

BAKIM

⚠ DİKKAT:

- Makine üzerinde kontrol veya bakım işlemlerine başlamadan önce mutlaka makinenin kapalı ve fişinin çekili olduğundan emin olun.



	115 mm (4-1/2") model	125 mm (5") model
1	Kol 36	
2	Disk muhafazası (taşlama diskı için)	
3	İç flanş Süper flanş	İç flanş Süper flanş
4	Ortası çukur disk/Flap disk	
5	Kilit somunu	Kilit somunu
6	Plastik altlık	Plastik altlık
7	Esnek disk	Esnek disk
8	Kauçuk altlık 100	Kauçuk altlık 115
9	Taşlama diskı	
10	Zımparalama kilit somunu	
11	Tel disk fırçası	
12	Tel temizleme fırçası	
13	Disk muhafazası (kesme diskı için)*	
14	Kesici taşlama diskı/Elmas disk	
-	Kilit somunu anahtarı	

Not:

* Bazı Avrupa ülkelerinde elmas disk kullanıldığında diskin her iki tarafını kapatan özel bir muhafaza yerine normal muhafaza kullanılabilir. Bulduğunuz ülkede yürürlükte olan kurallara uyun.

015258

NOT:

• Listedeki bazı parçalar makineyle birlikte standart aksesuar olarak verilebilir. Ürünle verilen aksesuarlar ülkeden ülkeye farklılıklar gösterebilir.

Gürültü

ENG905-1

EN60745 uyarınca belirlenen tipik A ağırlıklı gürültü seviyesi:

Ses basıncı seviyesi (L_{pA}): 84 dB (A)

Ses gücü seviyesi (L_{WA}): 95 dB (A)

Belirsizlik (K): 3 dB (A)

Koruyucu kulaklık takın.

Titreşim

ENG900-1

EN60745'e göre belirlenen toplam titreşim değeri (çuk eksenli vektörel toplam):

9564HR Modeli

Çalışma modu: normal yan kol yardımıyla yüzey taşlama

Titreşim emisyonu ($a_{h,AG}$): 8,5 m/sn²

Belirsizlik (K): 1,5 m/sn²

Çalışma modu: titreşim önleyici yan kol yardımıyla yüzey taşlama

Titreşim emisyonu ($a_{h,AG}$): 8,0 m/sn²

Belirsizlik (K): 1,5 m/sn²

Çalışma modu: diskli zımparalama
Titreşim emisyonu ($a_{h,DS}$): 2,5 m/sn² veya daha düşük
Belirsizlik (K): 1,5 m/sn²

9565HR Modeli

Çalışma modu: normal yan kol yardımıyla yüzey taşlama

Titreşim emisyonu ($a_{h,AG}$): 9,0 m/sn²
Belirsizlik (K): 1,5 m/sn²

Çalışma modu: titreşim önleyici yan kol yardımıyla yüzey taşlama

Titreşim emisyonu ($a_{h,AG}$): 7,5 m/sn²
Belirsizlik (K): 1,5 m/sn²

Çalışma modu: diskli zımparalama

Titreşim emisyonu ($a_{h,DS}$): 2,5 m/sn² veya daha düşük
Belirsizlik (K): 1,5 m/sn²

ENG902-1

- Belirtilen titreşim emisyonu değeri, standart test yöntemine göre ölçülmüştür ve makinenin diğer makinelerle karşılaştırılması için kullanılabilir.
- Belirtilen titreşim emisyonu değeri ayrıca maruziyetin ön değerlendirilmesinde de kullanılabilir.
- Belirtilen titreşim emisyonu değeri, bu makinenin temel uygulamaları için kullanılır. Ancak, makinenin başka uygulamalarda kullanılması durumunda titreşim emisyonu değeri değişebilir.

UYARI:

- Elektrikli aletin gerçek kullanımı sırasında ortaya çıkacak titreşim emisyonu, aletin kullanıma şekline bağlı olarak belirtilen emisyon değerinden farklı olabilir.
- Gerçek kullanım koşullarındaki maruziyeti tahmin ederek (örneğin, aletin açılma süresine ek olarak kapalı konuma getirildiği ve rölantide çalıştığı süreler gibi çalışma döngüsünün tüm bileşenlerini dikkate alın), kullanıcıyı korumak için gerekli güvenlik önlemlerinin alındığından emin olun.

Yalnızca Avrupa ülkeleri için

ENH101-18

AT Uygunluk Beyanı

Makita aşağıdaki Makine(ler) ile ilgili şu hususları

beyan eder:

Makinenin Adı:

Taşlama Makinası

Model Numarası/Tipi: 9564HR, 9565HR

Şu Avrupa Yönergelerine uygundur:

2006/42/EC

Şu standartlara veya standartlaştırılmış belgelere uygun olarak üretilmiştir:

EN60745

2006/42/EC'ye uygun Teknik dosyaya şu adresten ulaşılabilir:

Makita, Jan-Baptist Vinkstraat 2, 3070, Belçika

28. 5. 2014



Yasushi Fukaya
Müdür

Makita, Jan-Baptist Vinkstraat 2, 3070, Belçika

Makita Jan-Baptist Vinkstraat 2, 3070, Belgium
Makita Corporation Anjo, Aichi, Japan

885386-998

www.makita.com

ALA