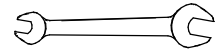
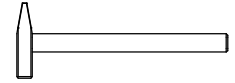
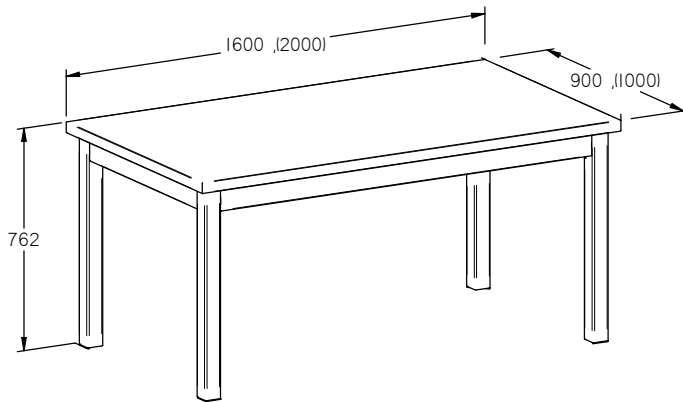
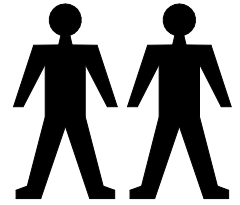


TACOMA

set one
by Musterring

262,263

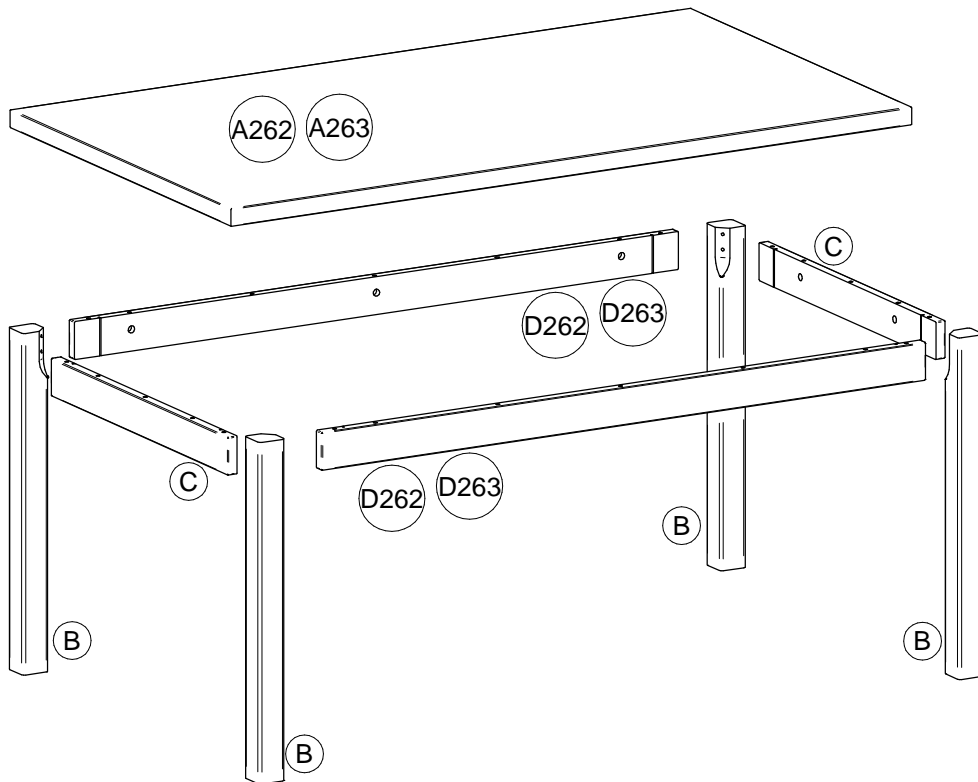
262-1600x900x762 (mm)
263-2000x1000x762 (mm)

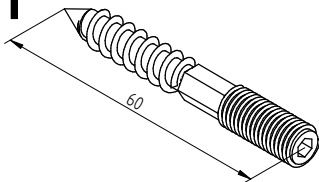
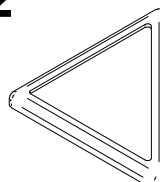
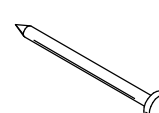


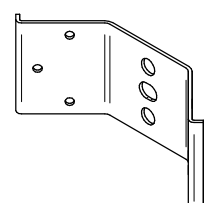

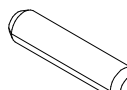
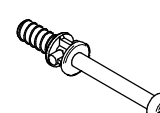



No.13

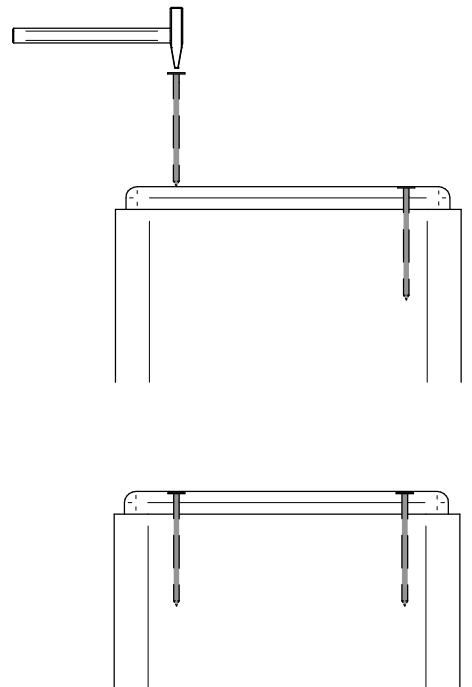
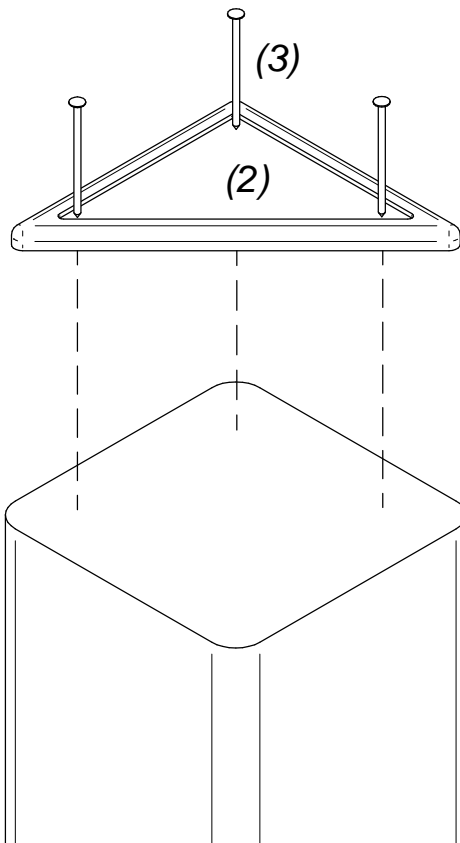
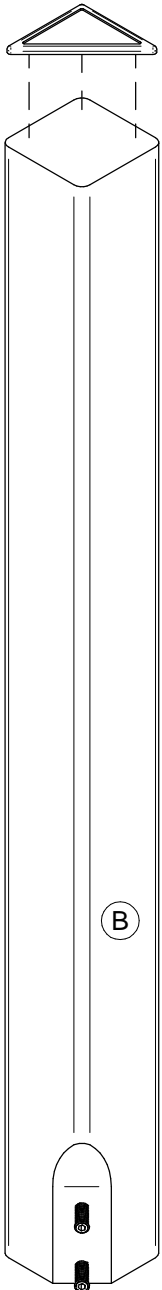
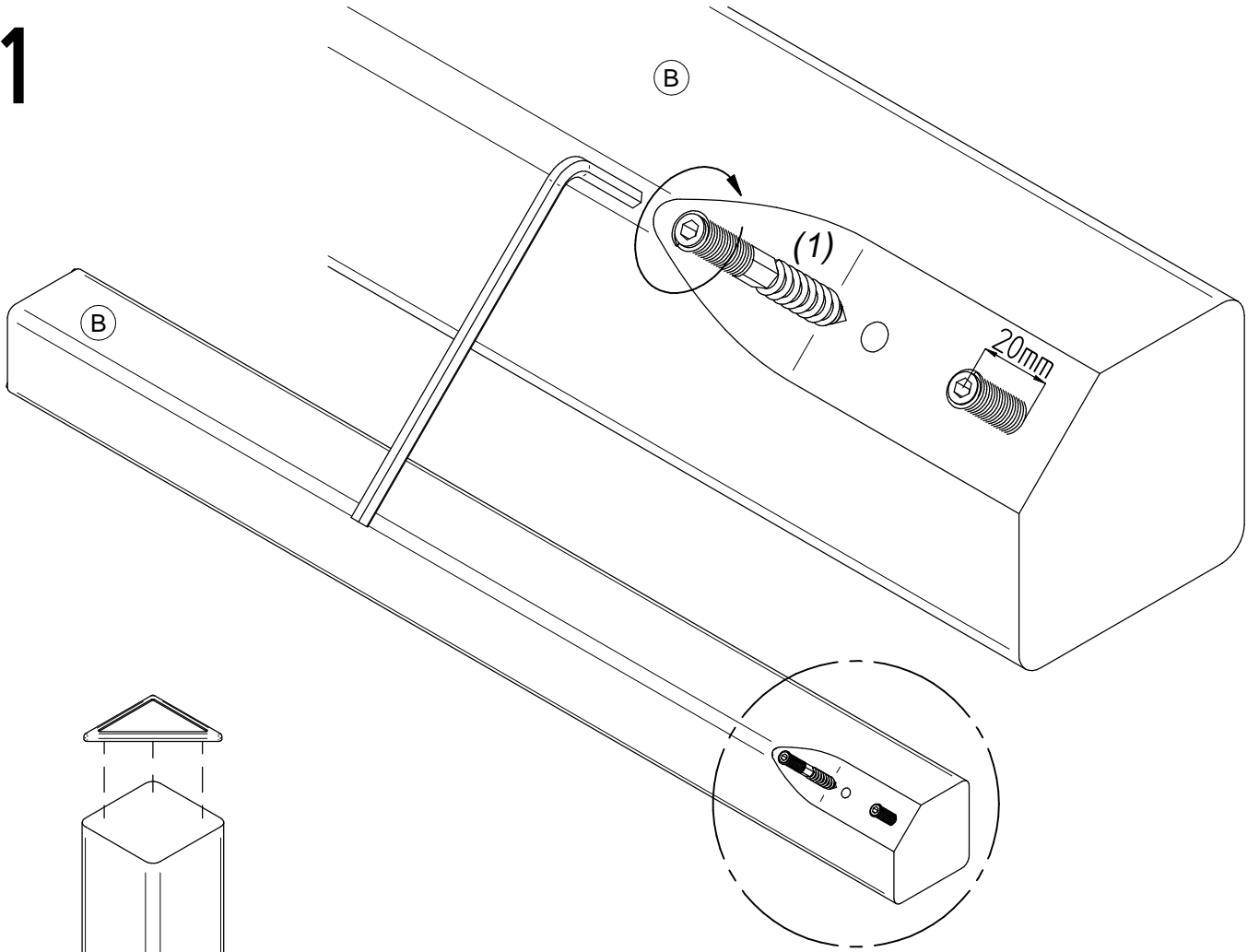


Torx 25

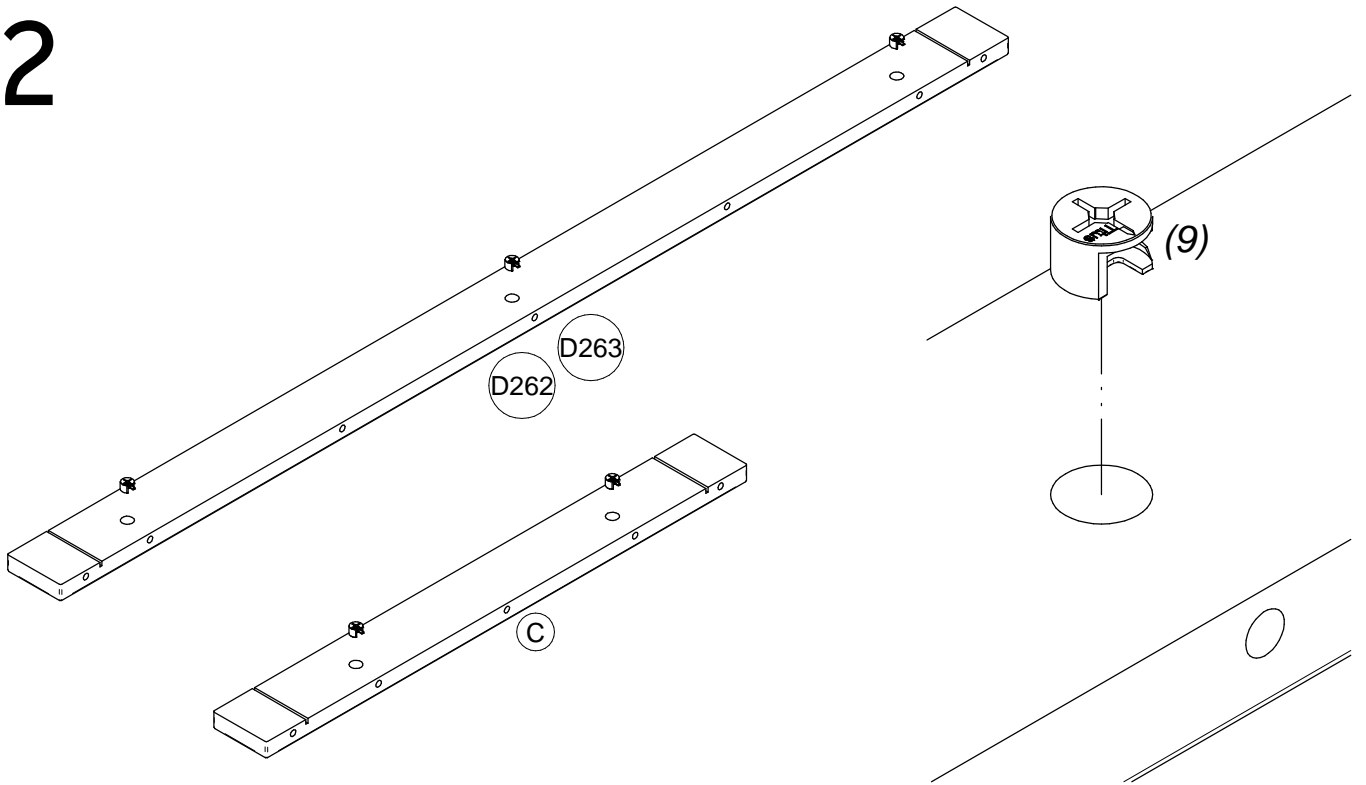


1	M8x60 x8	2	x4	3	$\varnothing 1,2 \times 20$ x12	4	$\varnothing 16$ x8	5	M8 x8
									
5	x4	6	$\varnothing 4 \times 20$ x24	7	$\varnothing 8 \times 35$ x14	8	$\varnothing 5$ x10	9	$\varnothing 15$ x10
									

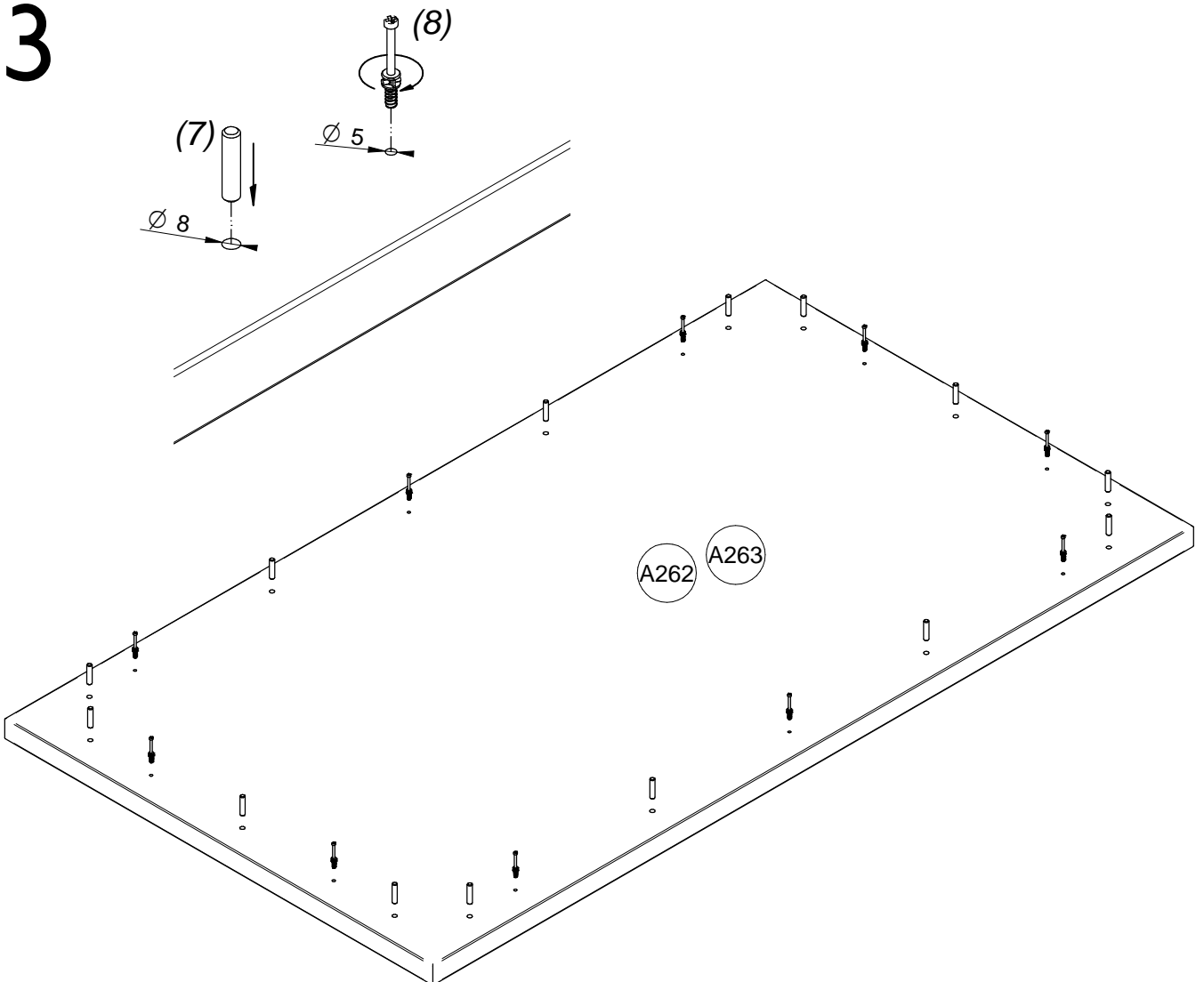
1



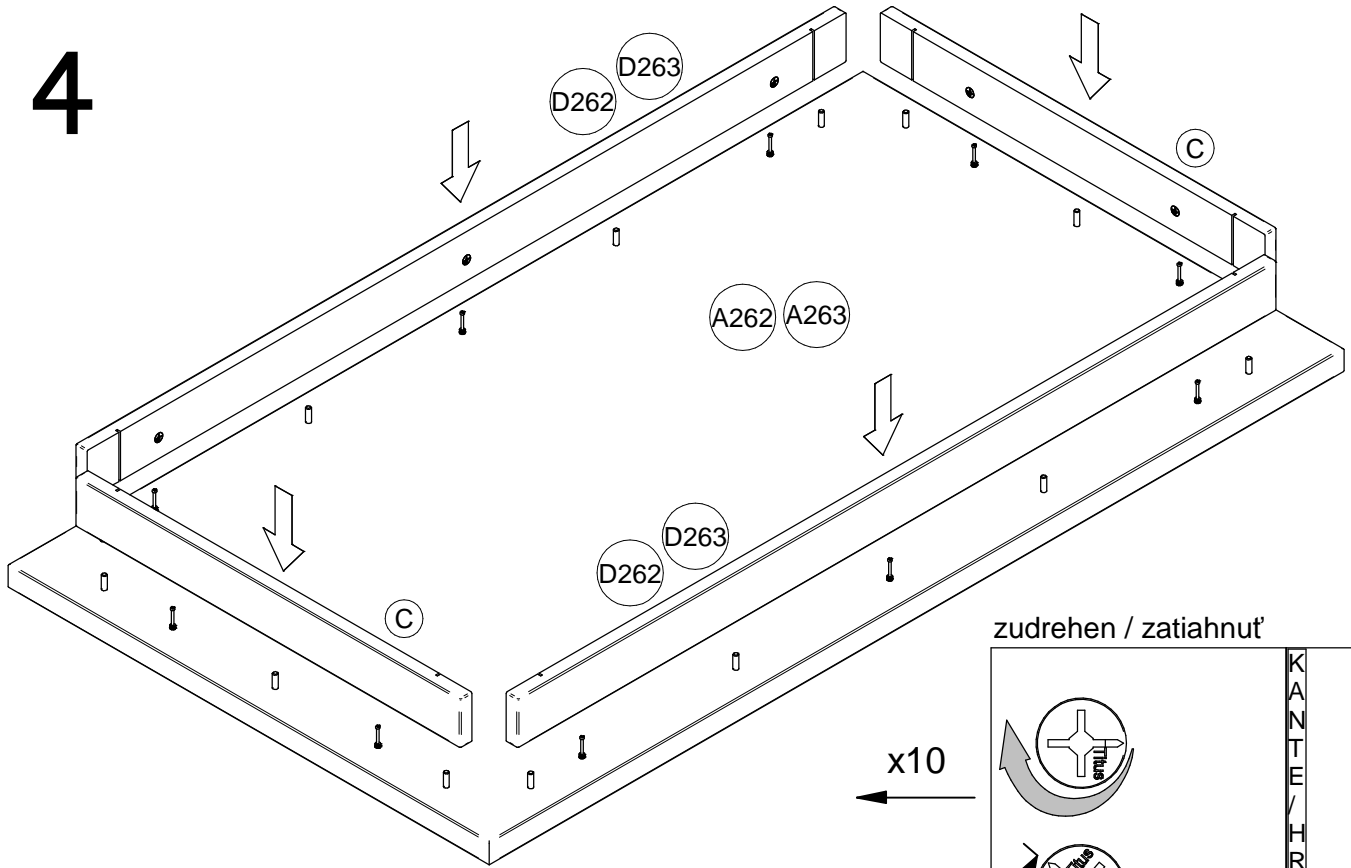
2



3

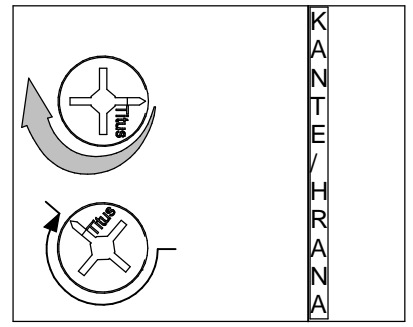


4

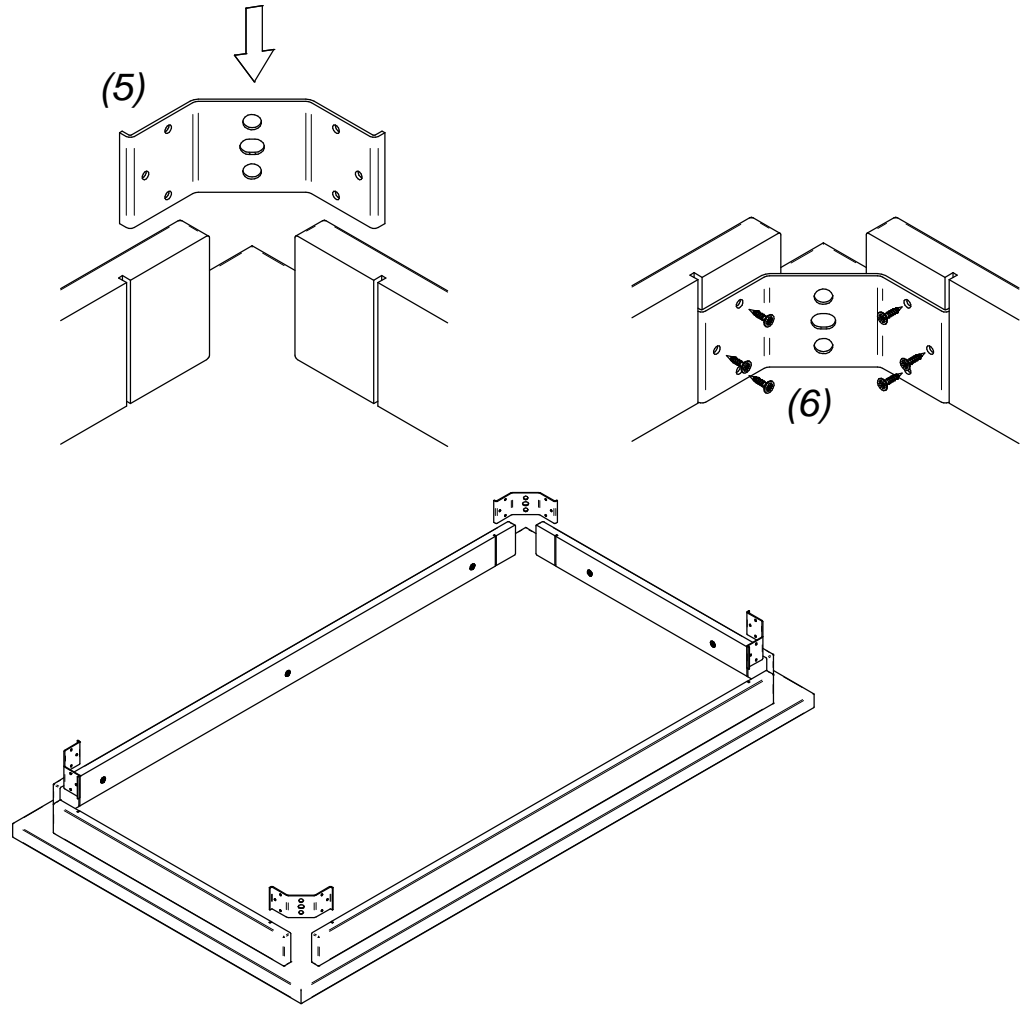


zudrehen / zatiahnut'

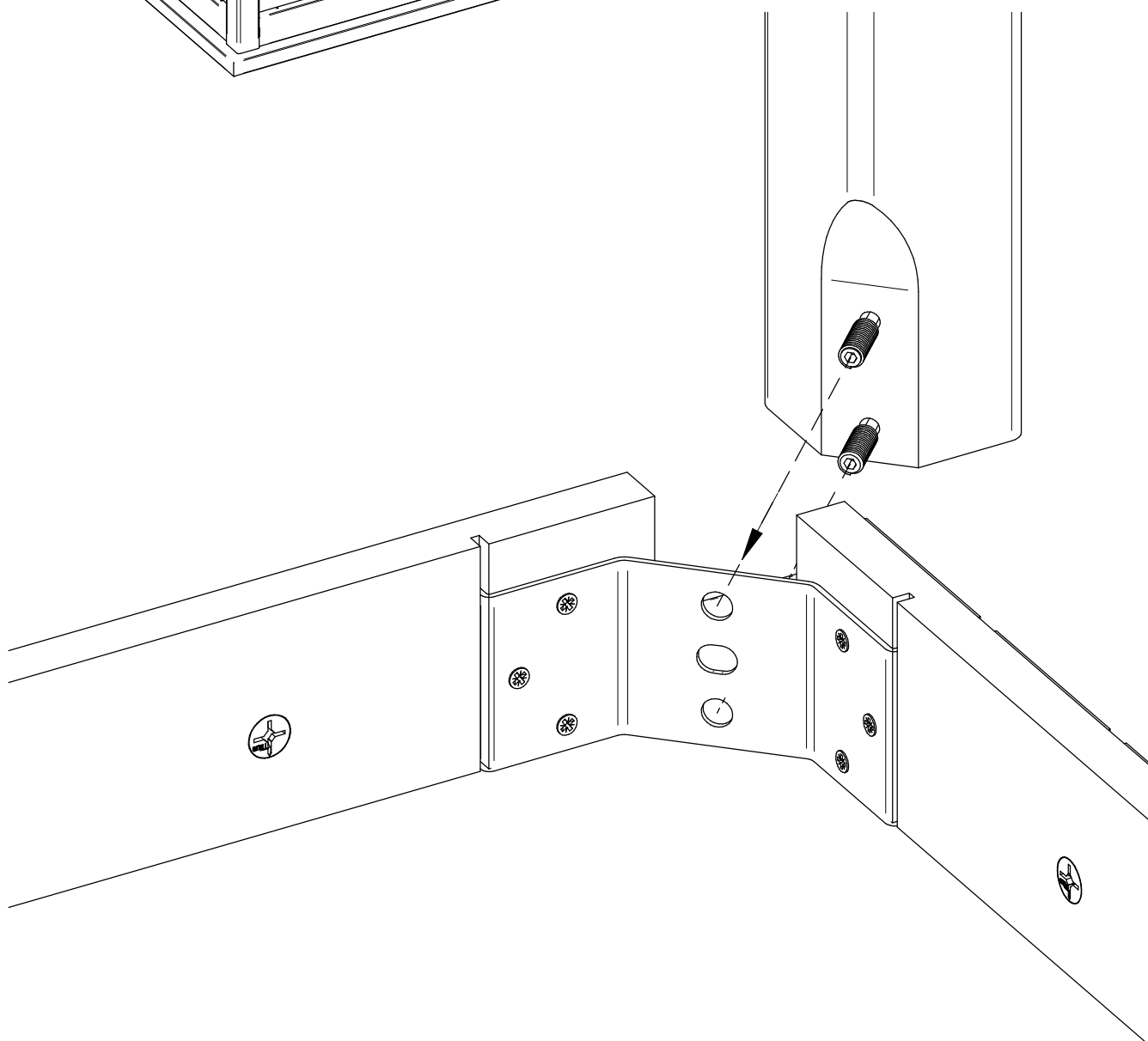
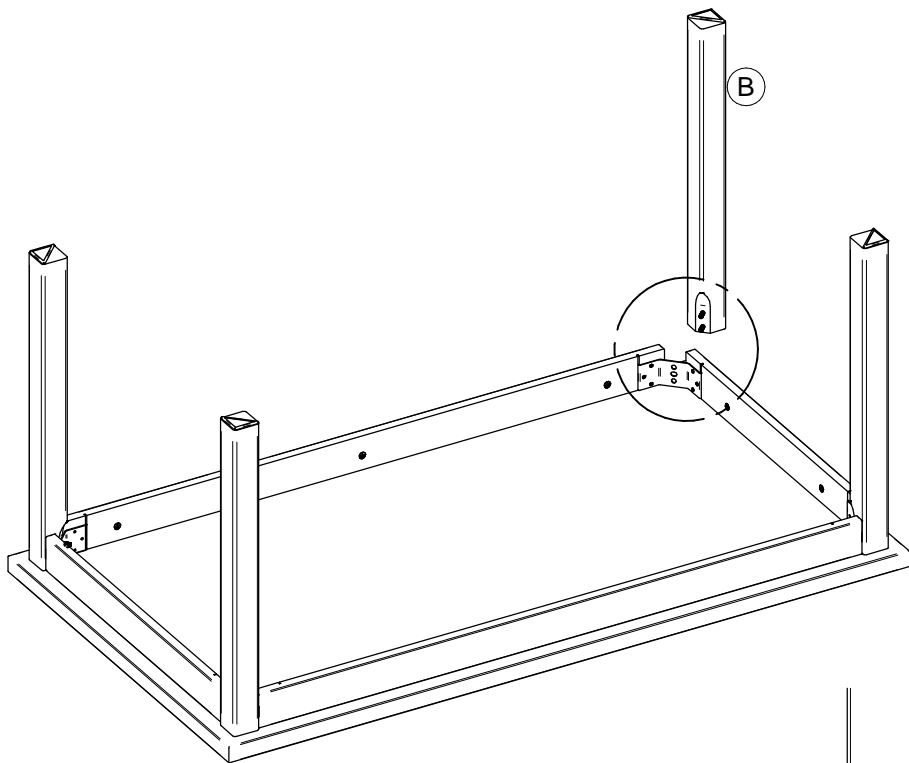
x10



5



6



7

