

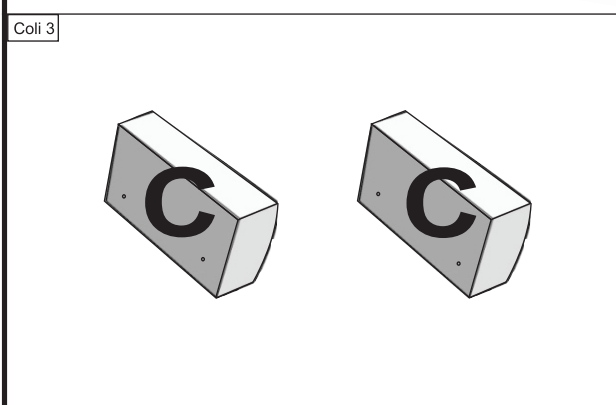
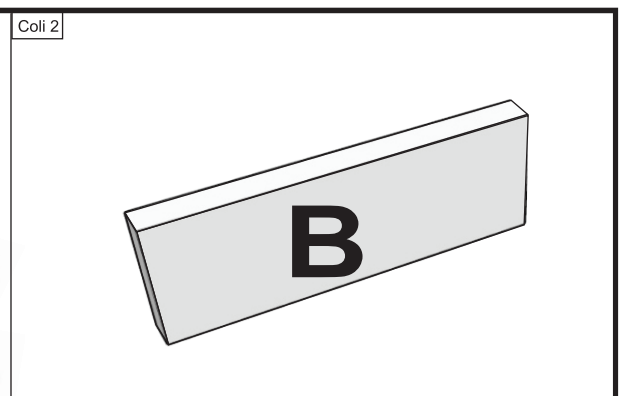
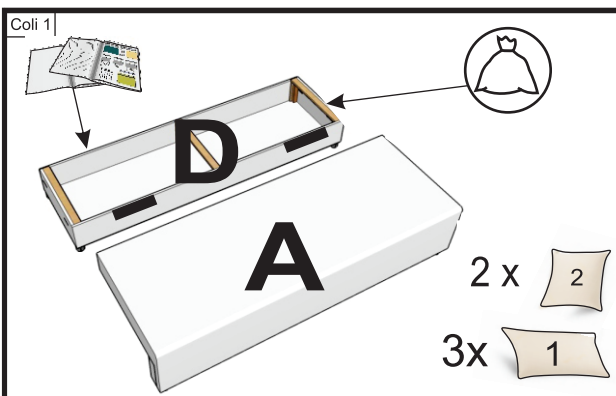
# BELLA SOFA VINTAGE



- |                                  |                                |
|----------------------------------|--------------------------------|
| (DE) Montageanleitung            | (IT) Istruzioni di montaggio   |
| (PL) Instrukcja montażu          | (FR) Notice de montage         |
| (NL) Handleiding voor de montage | (RO) Instrucțiuni de asamblare |
| (GB) Assembly instructions       | (SK) Montážny návod            |
| (TR) Montaj talimatı             | (CZ) Montážní návod            |
| (RU) Инструкция по монтажу       | (HU) Szerelési útmutató        |



|                     |                    |                  |                              |                        |              |             |              |
|---------------------|--------------------|------------------|------------------------------|------------------------|--------------|-------------|--------------|
|                     |                    |                  |                              |                        |              |             |              |
| 9 x (4x16)<br><br>a | 6X (5X35)<br><br>b | 4 x Ø 8<br><br>c | 4 x M8<br><br>d              | 4 x (M8 x 70)<br><br>e | 4 x<br><br>f | 8X<br><br>g | 4 x<br><br>h |
| 2x (M8x40)<br><br>i | 4 x<br><br>j       | 4 x<br><br>t     | 8X<br>70 mm<br>50mm<br><br>z | 3x<br><br>1            | 2 x<br><br>2 |             |              |



13 +

