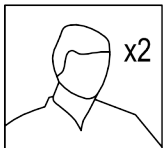
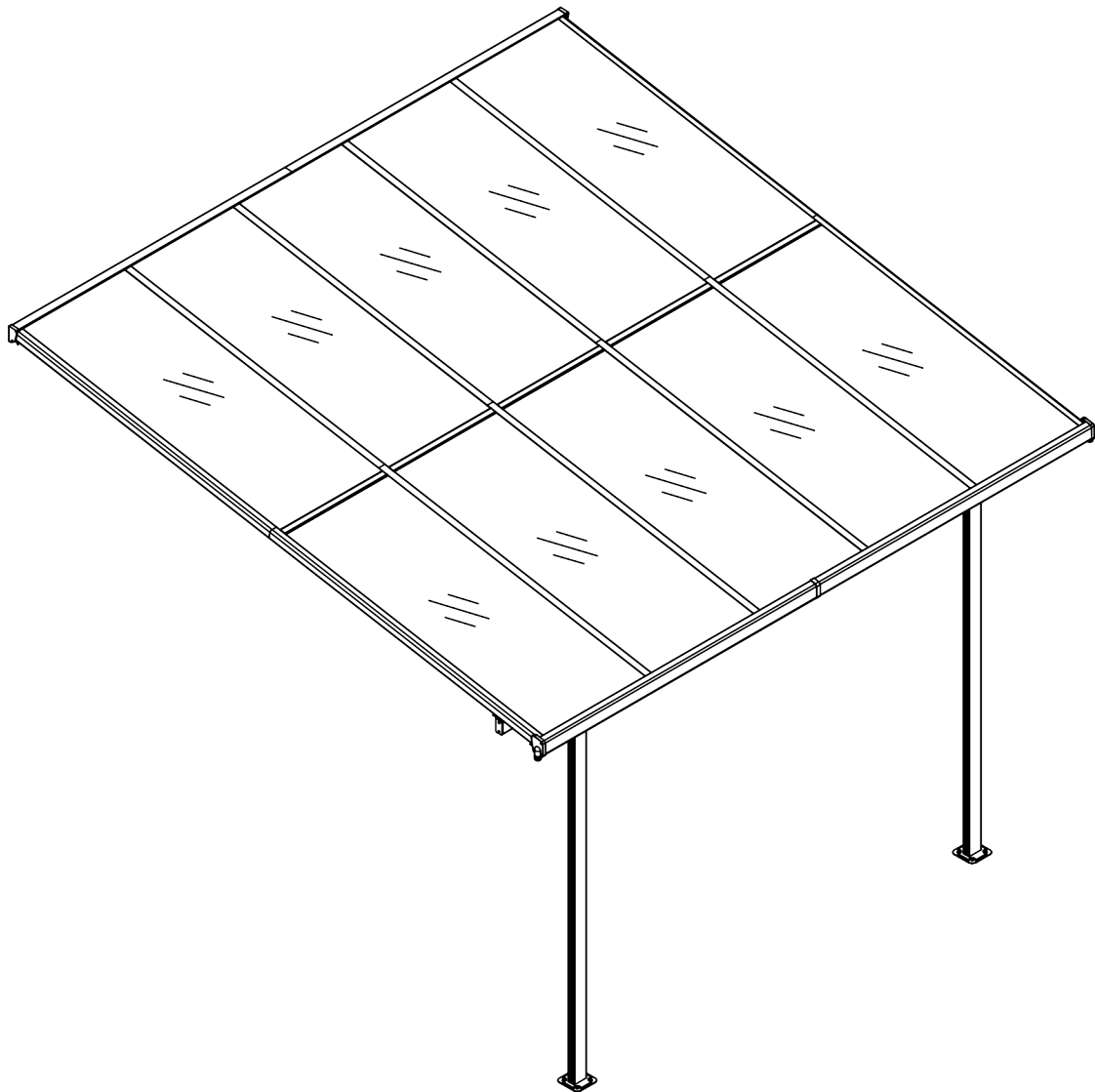




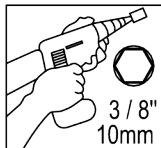
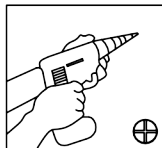
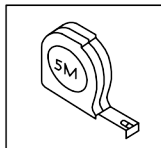
WESTMANN

MONTAGEANLEITUNG

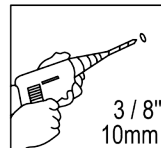
Aluminium Terrassendach 300 x 313 cm



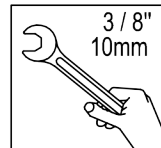
x2



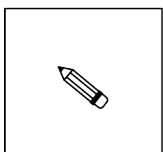
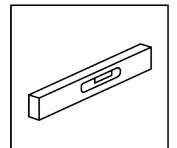
3 / 8"
10mm



3 / 8"
10mm



3 / 8"
10mm



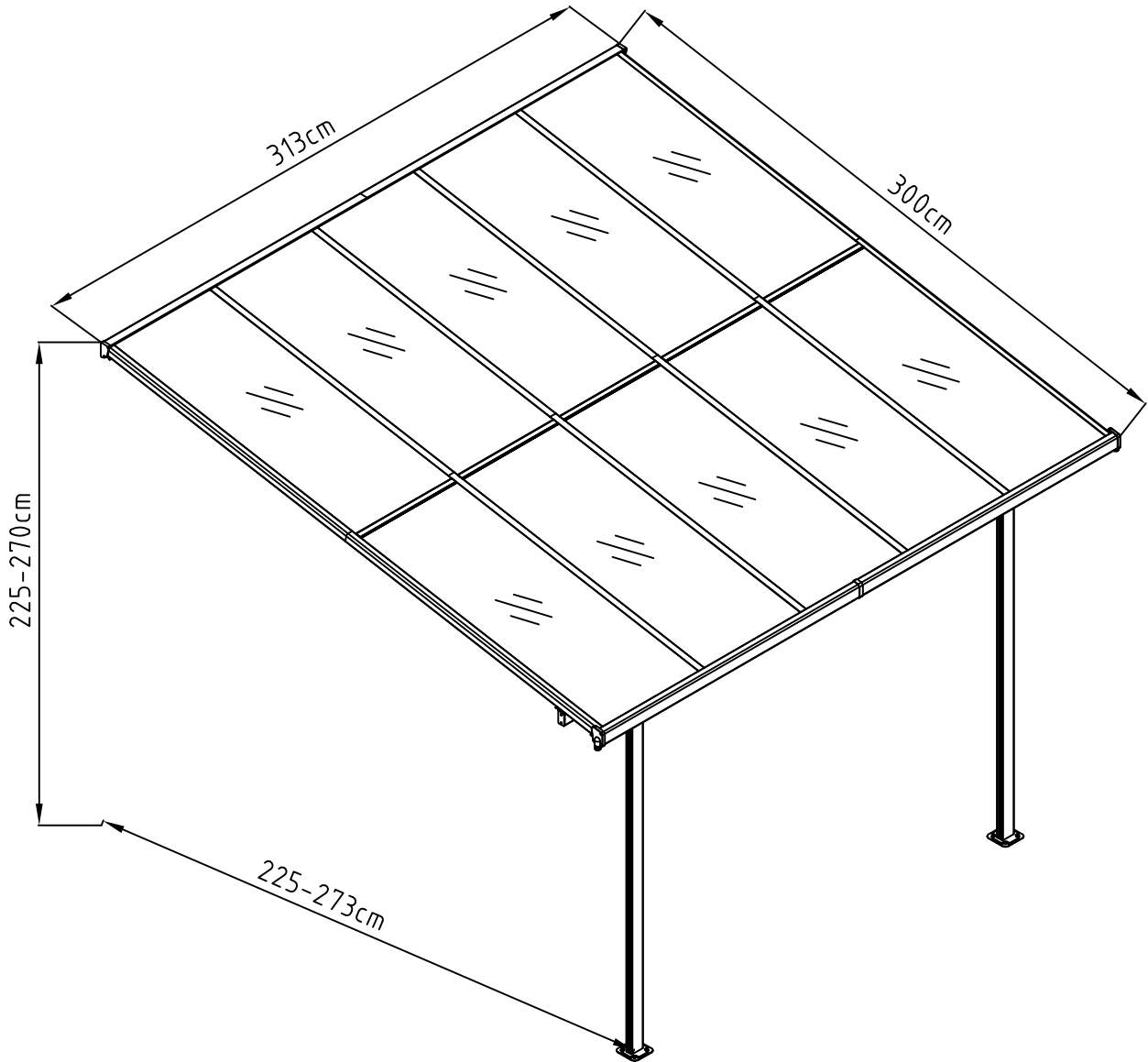
Caulk/
Silicon

**BEI FRAGEN, KONTAKTIEREN SIE
UNSEREN KUNDENSERVICE:**

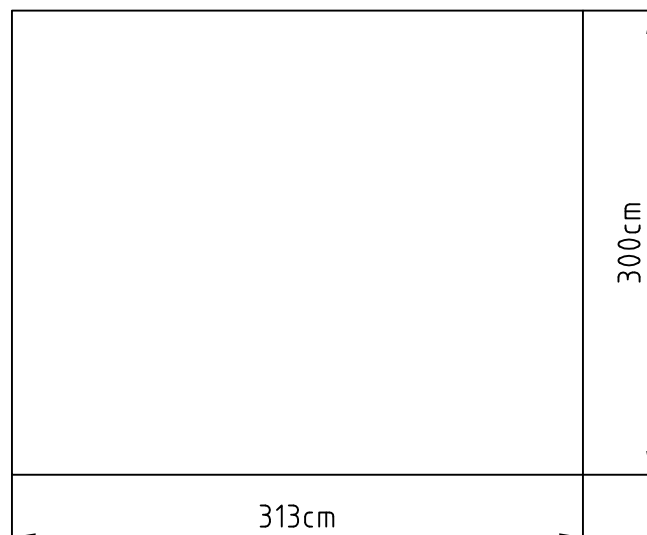
50NRTH GmbH
Straßburgstraße 14-16
D-54516 Wittlich

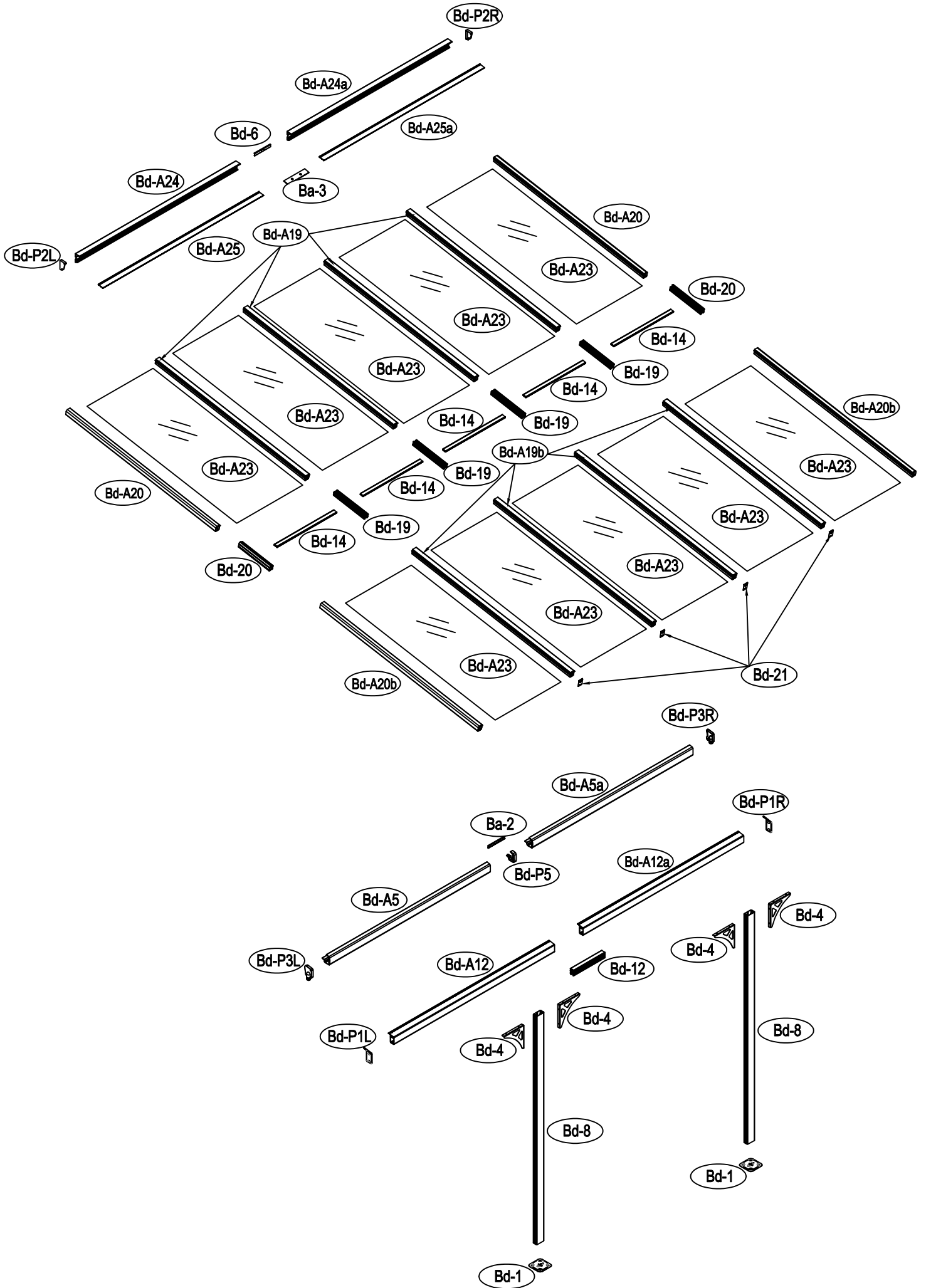
service@50NRTH.com
+49 (0) 6571 95117-0

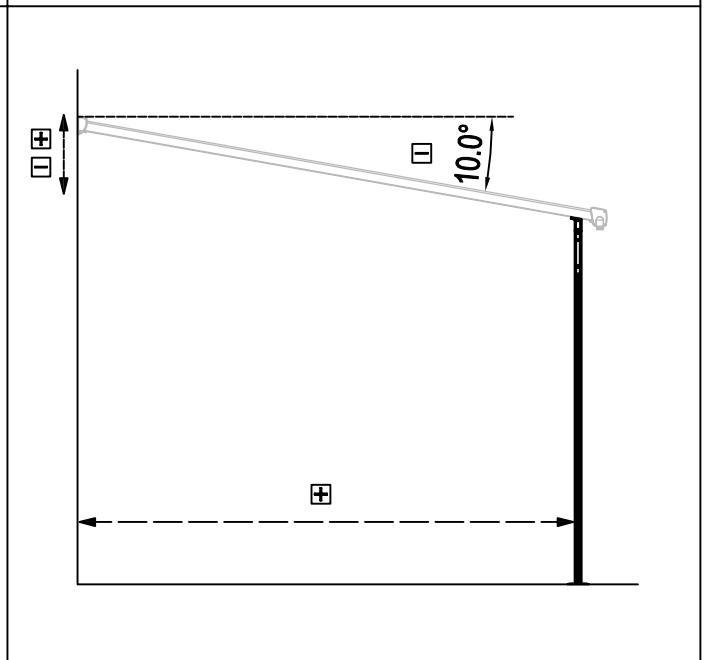
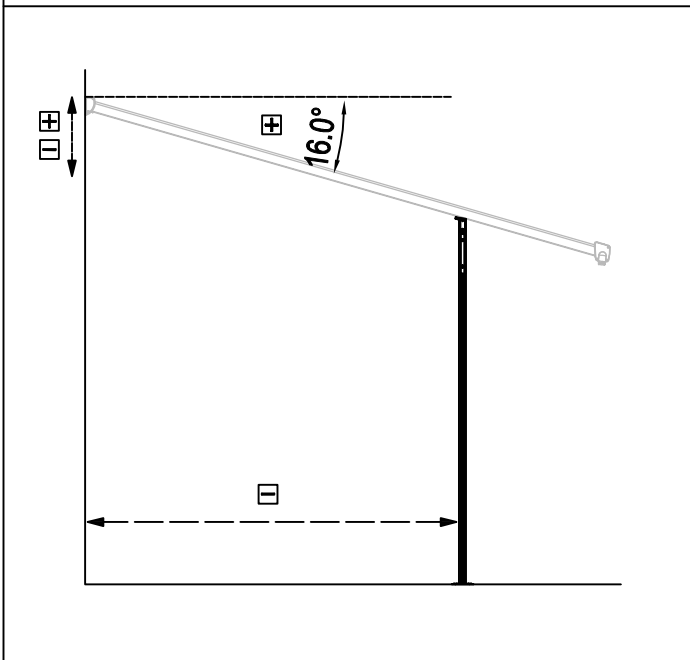
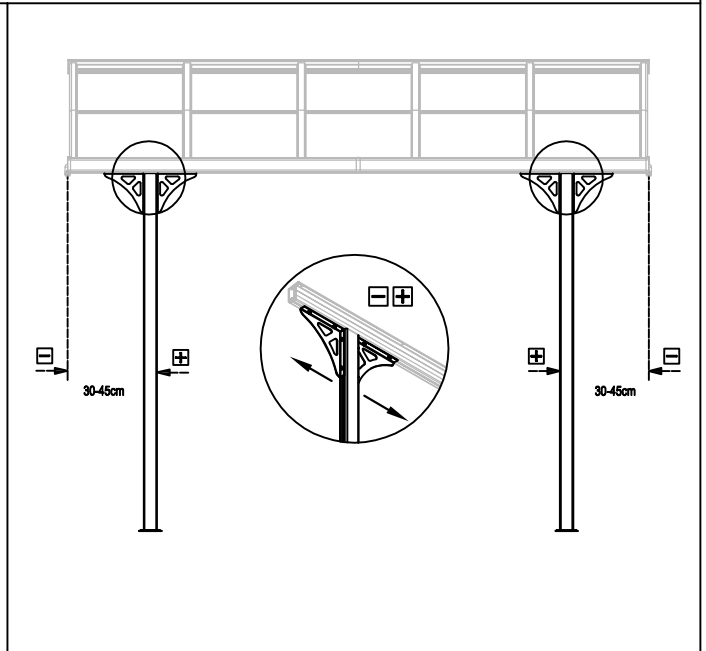
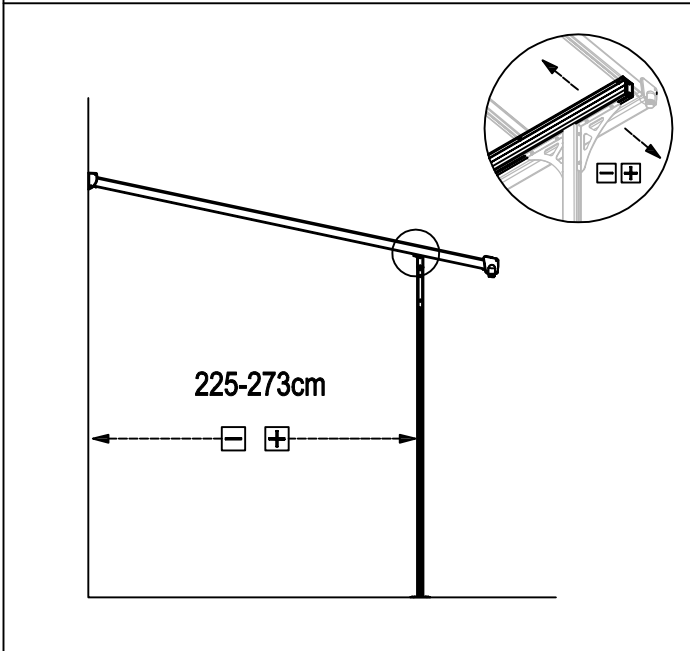
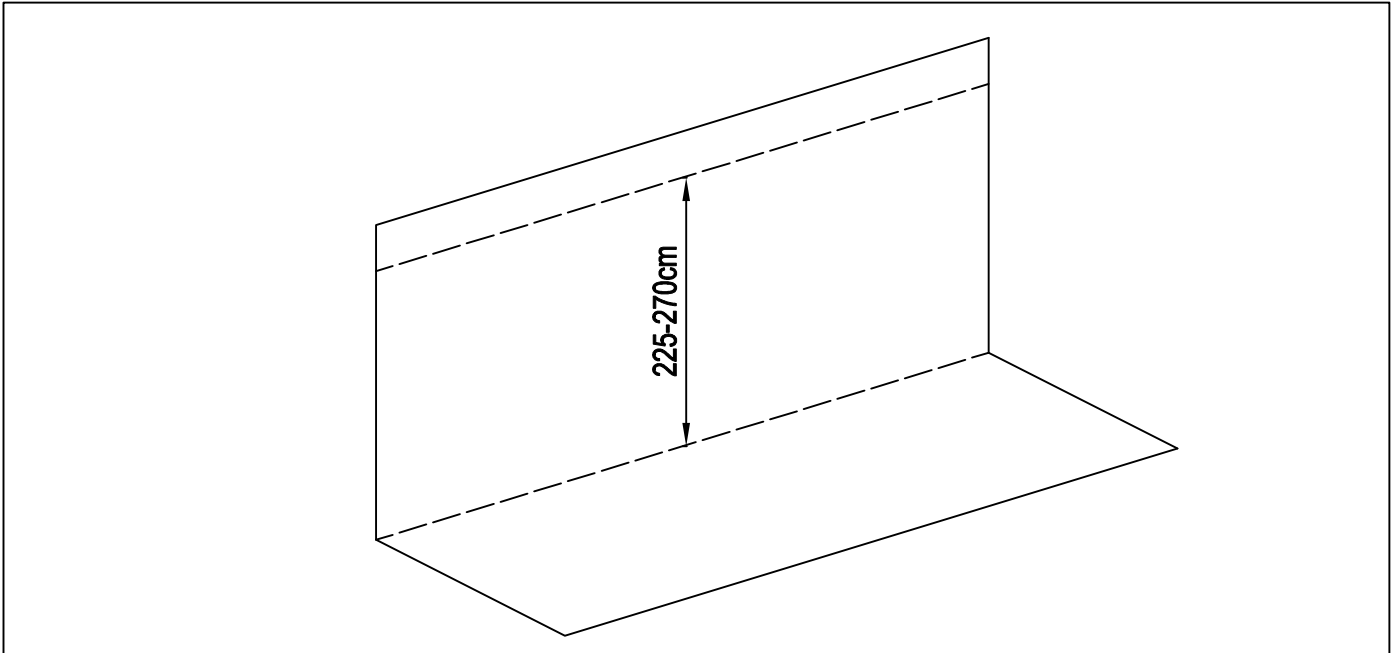
Aufstellmaß Terrassendach



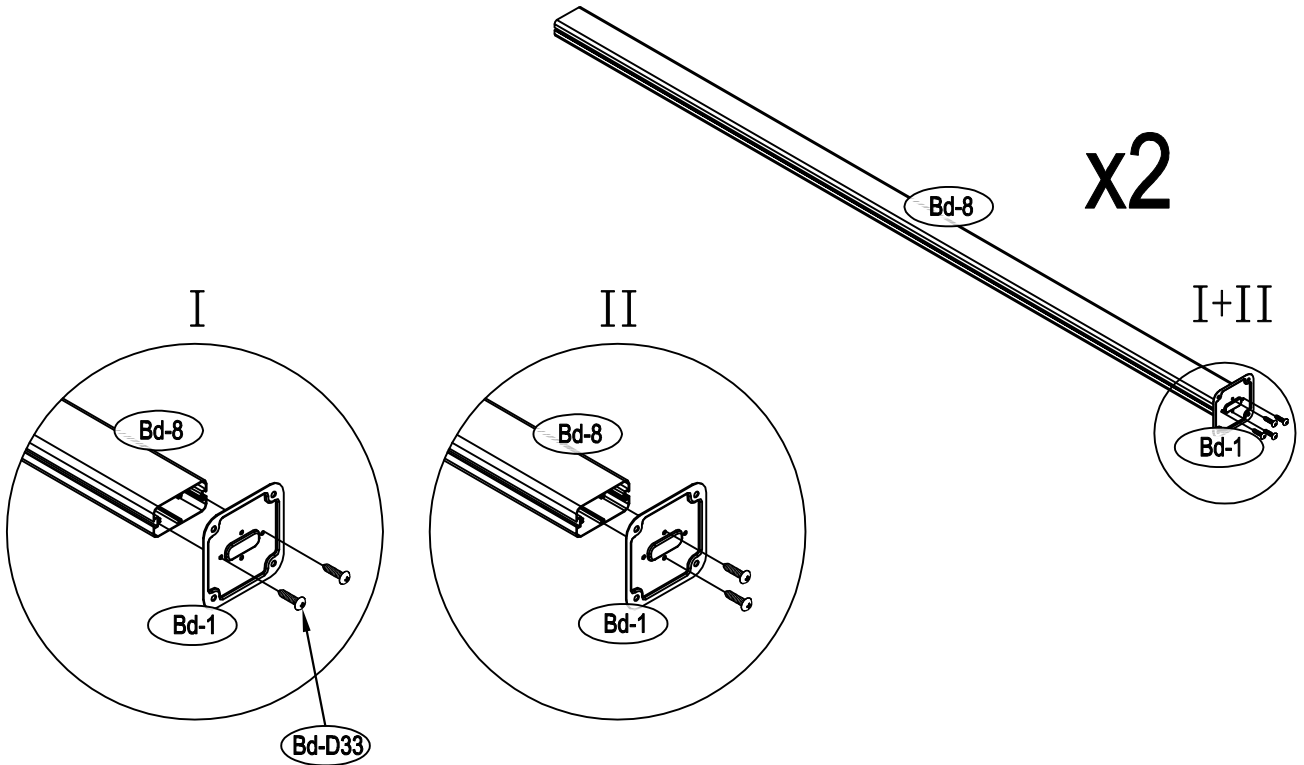
Fundament Aufstellmaß für den Geräteschrank








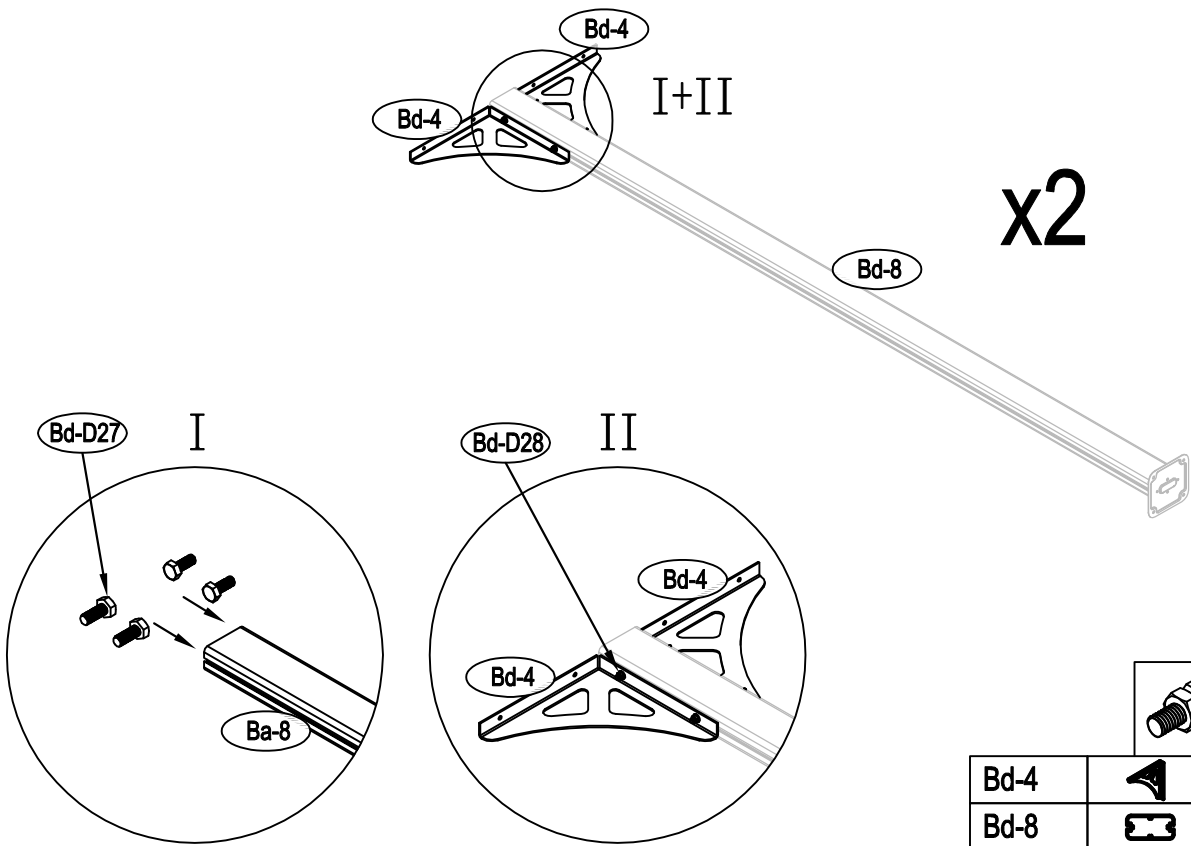








1



Bd-1		x2
Bd-8		x2
Bd-D33		x8

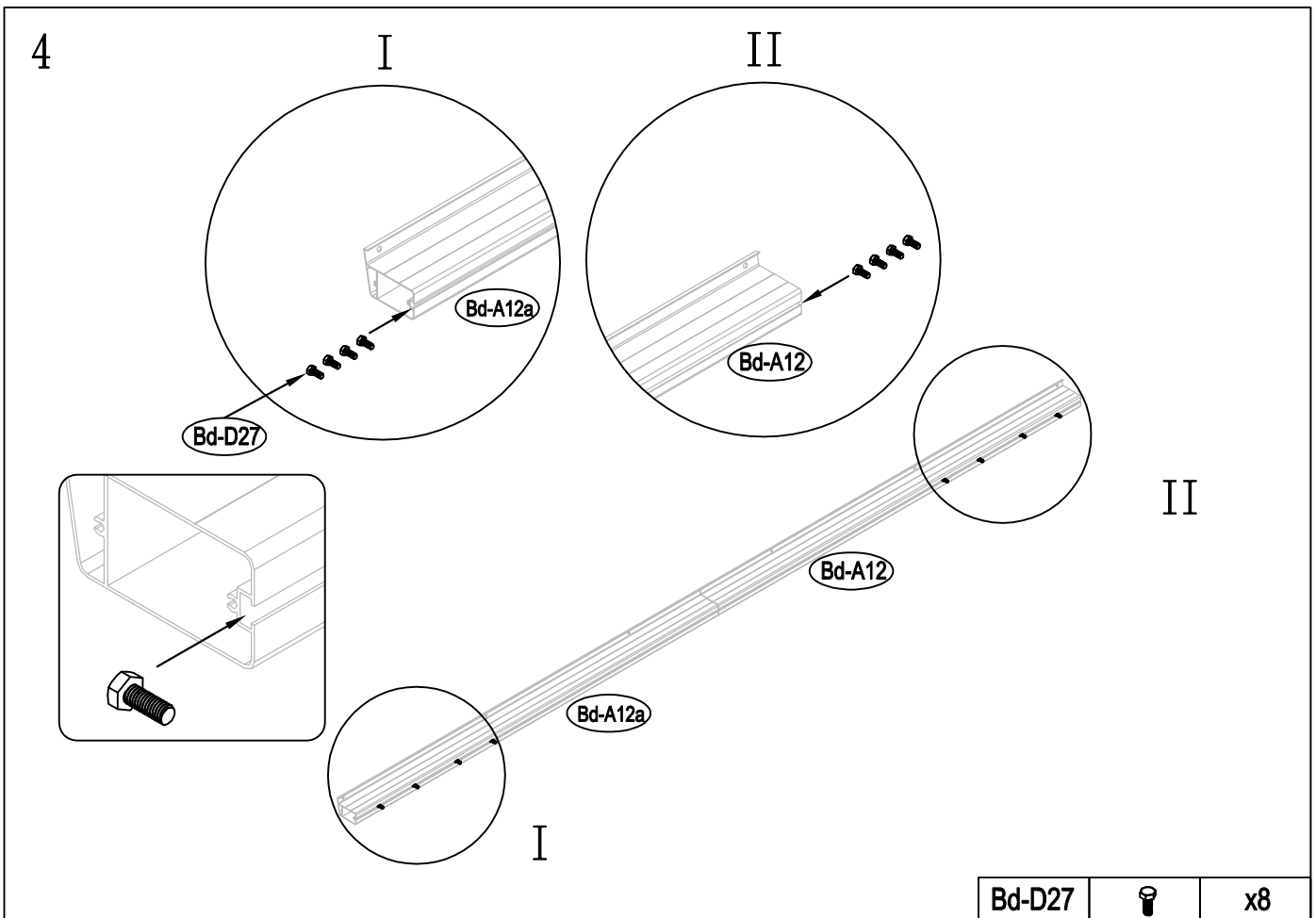
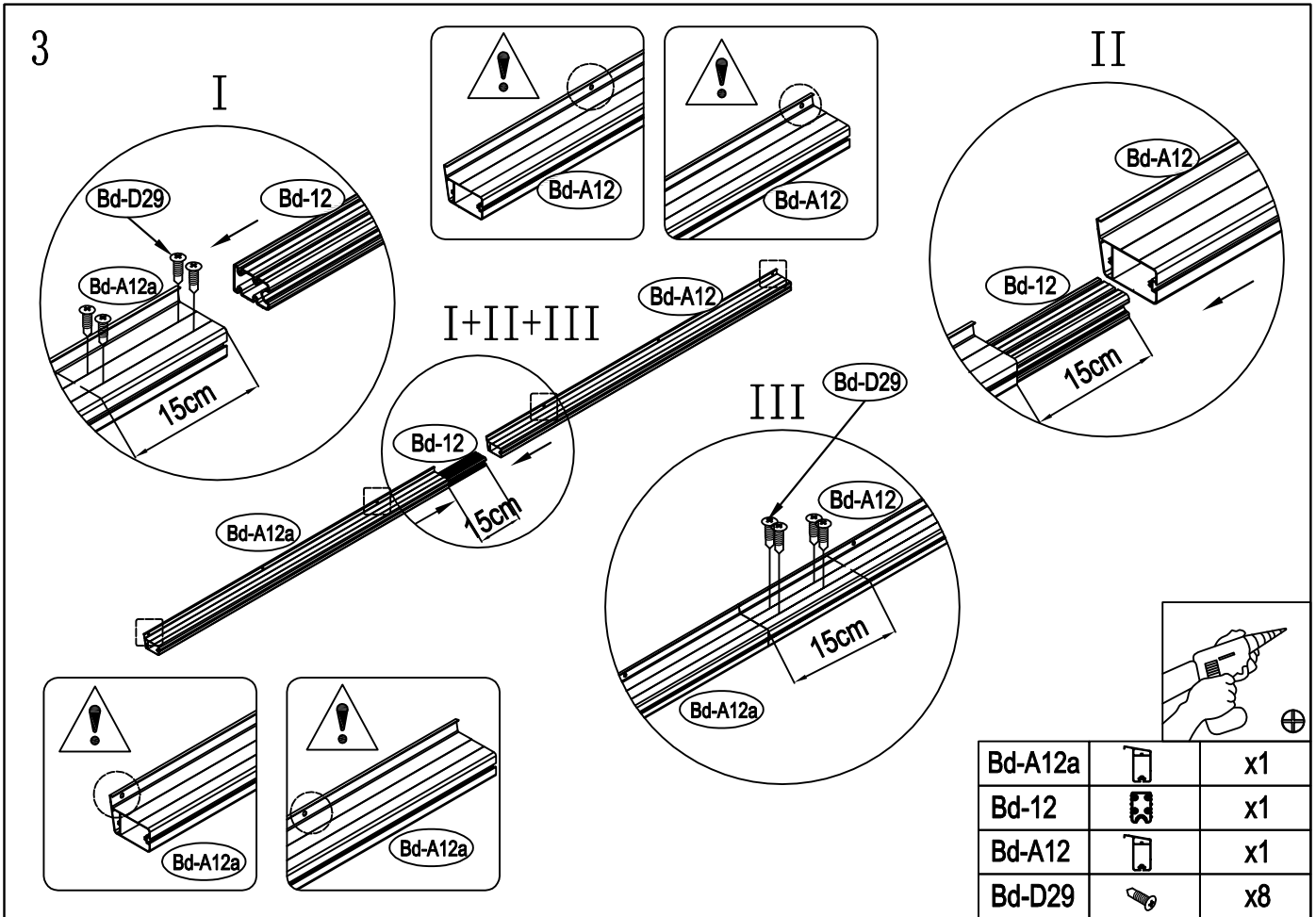
2

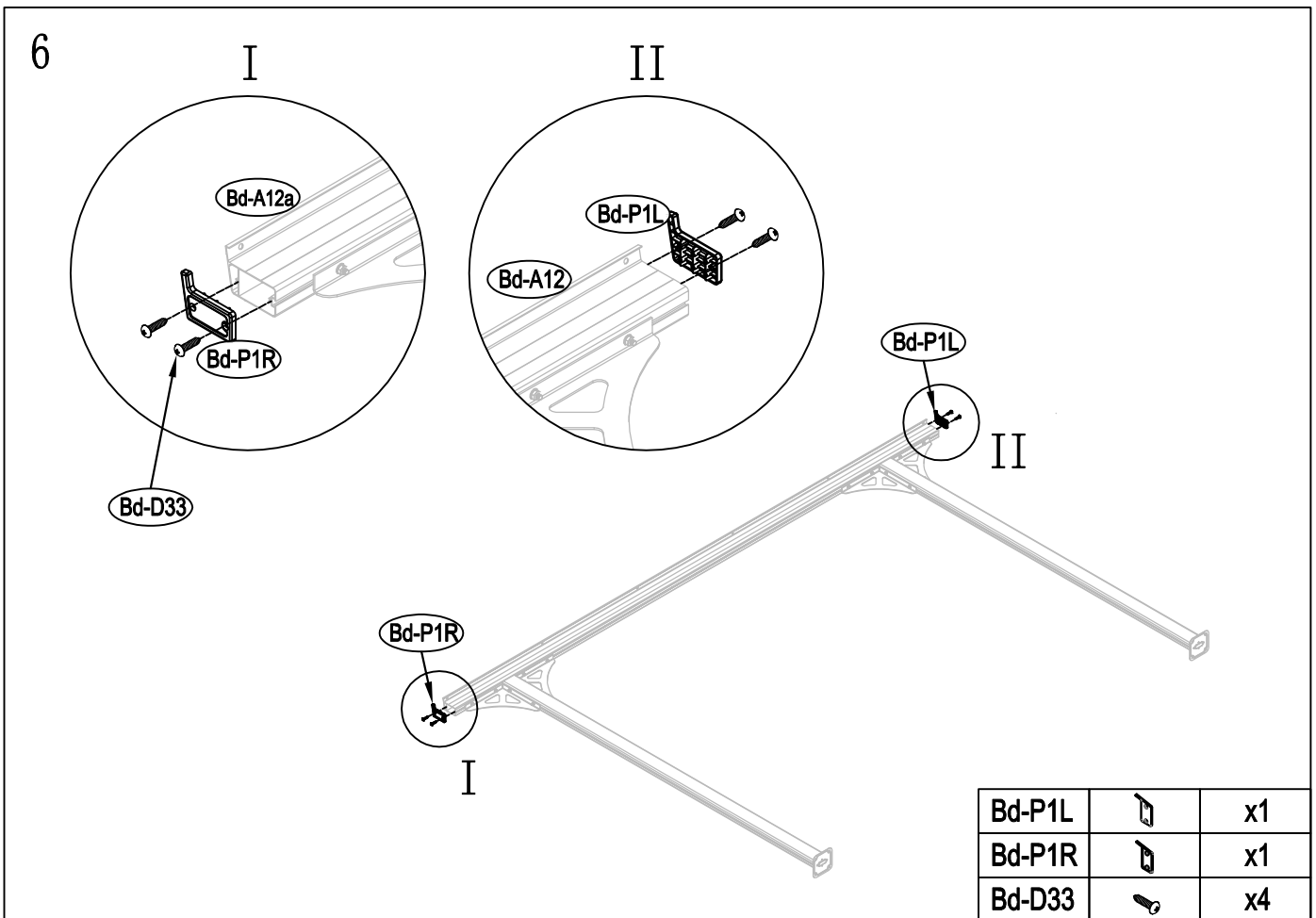
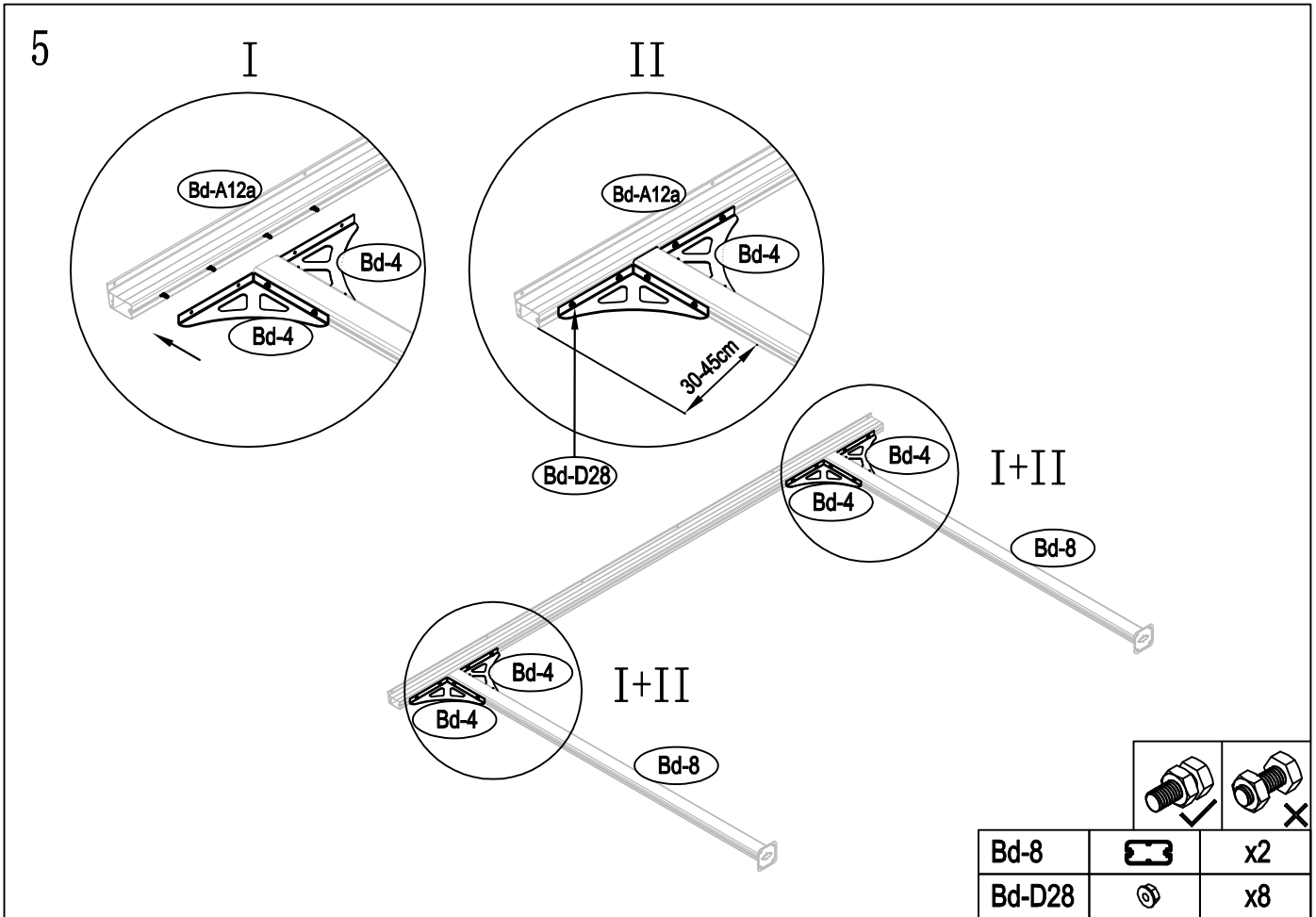


			
Bd-4		x4	
Bd-8		x2	
Bd-D27		x8	
Bd-D28		x8	

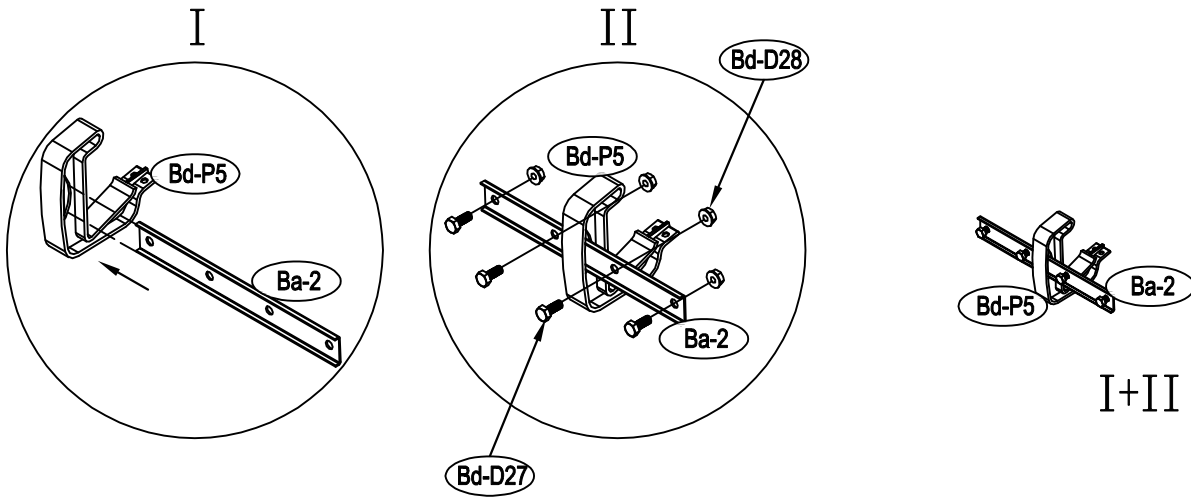
1





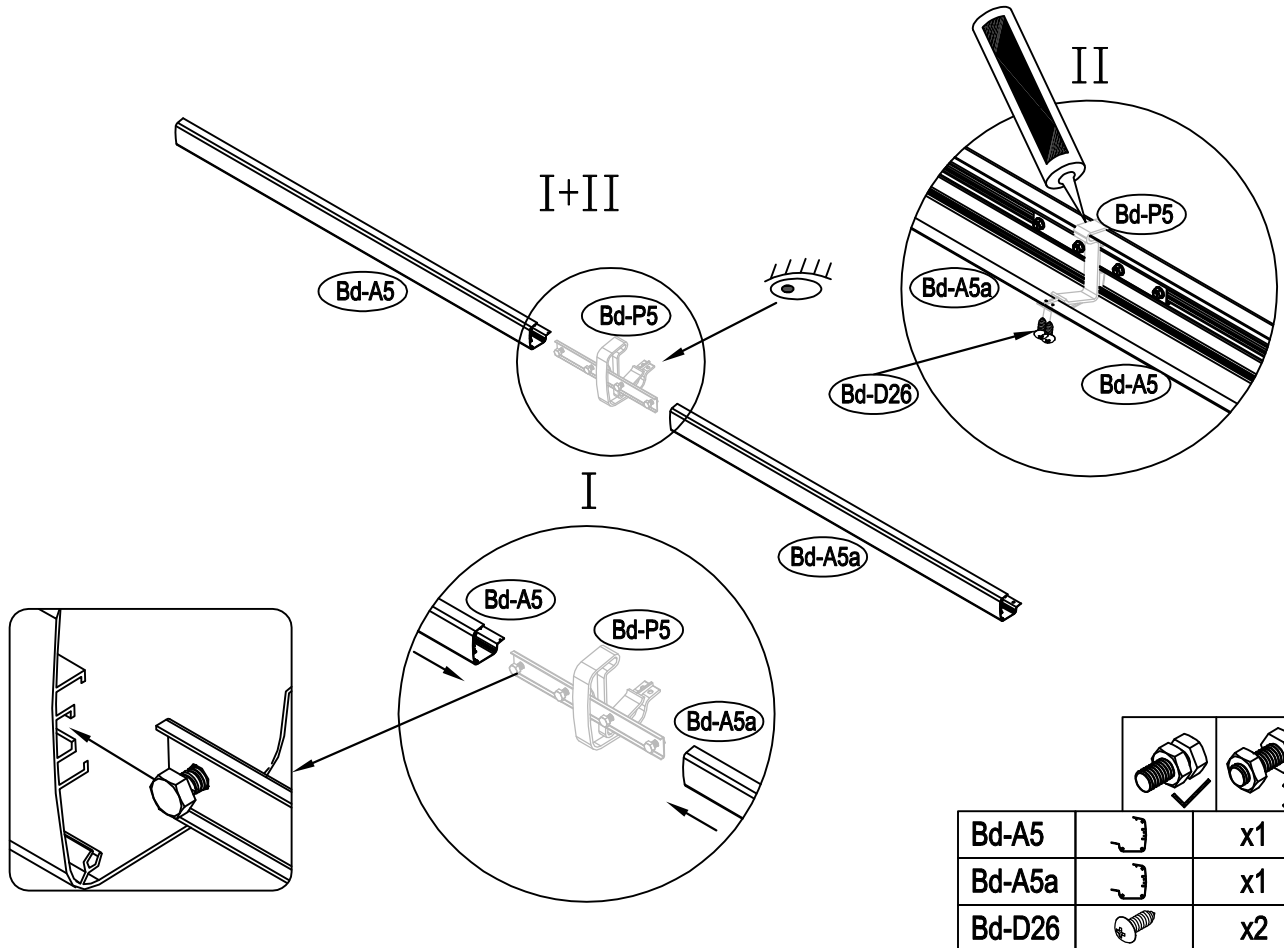


7



Ba-2		x1
Bd-P5		x1
Bd-D27		x4
Bd-D28		x4

8

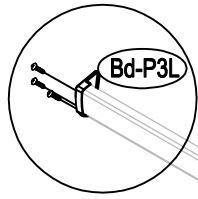


Bd-A5		x1
Bd-A5a		x1
Bd-D26		x2



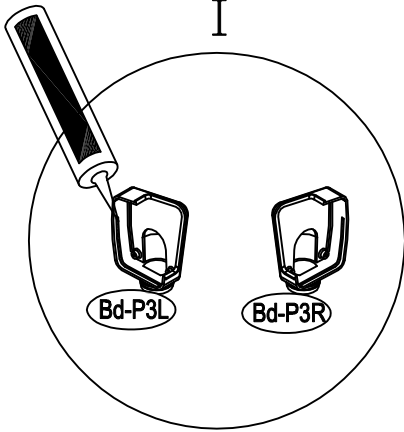
9

I+II

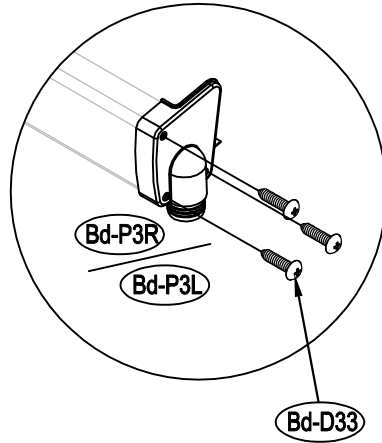


Bd-A5

I



II



I+II

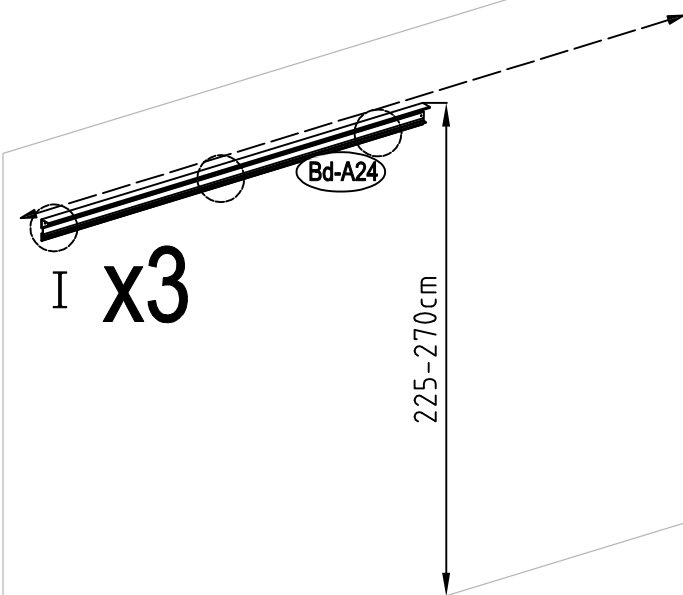
Bd-A5a



Bd-P3L		x1
Bd-P3R		x1
Bd-D33		x6

10

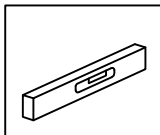
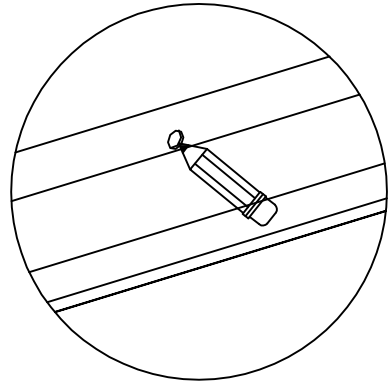
I



I x3

225-270cm

Bd-A24



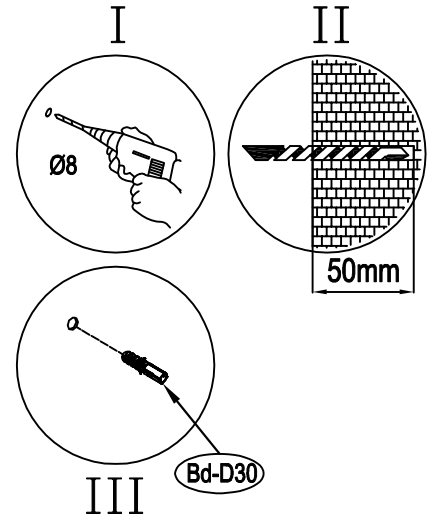
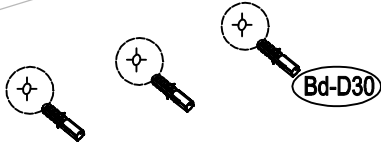
Bd-A24		x1
--------	--	----

5



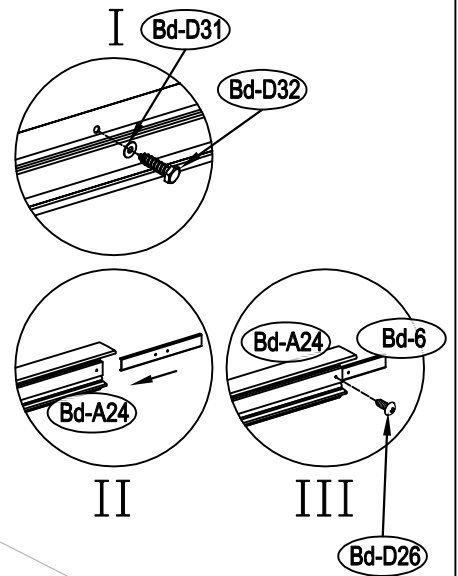
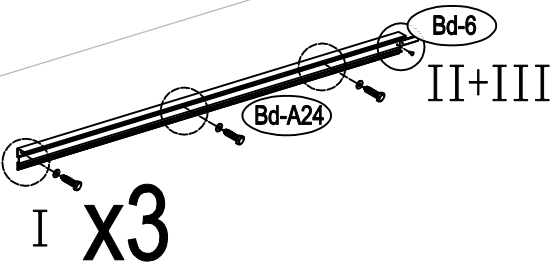
11

I+II+III x3



Bd-D30		x3
--------	--	----

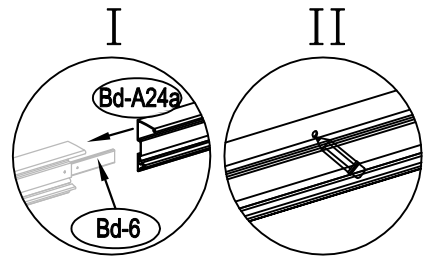
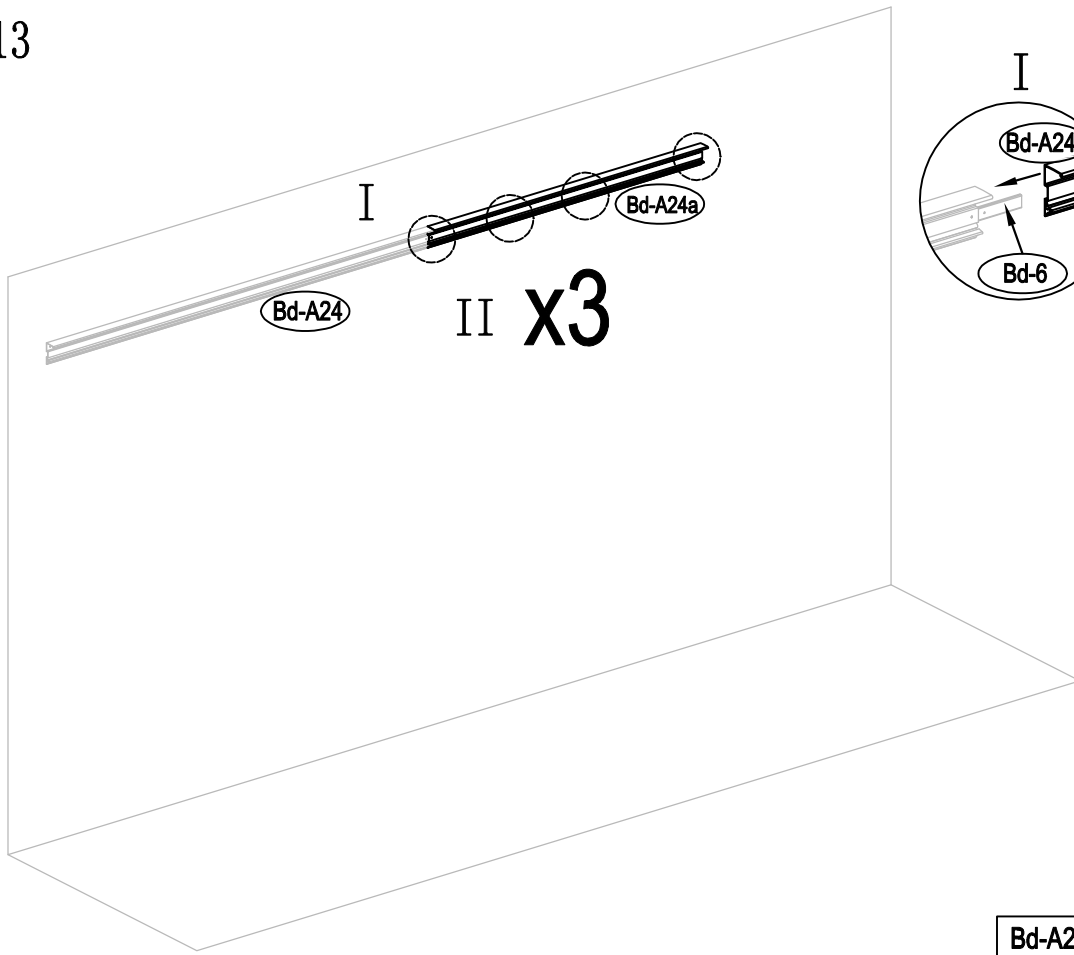
12



Bd-6		x1
Bd-D26		x1
Bd-D31		x3
Bd-D32		x3

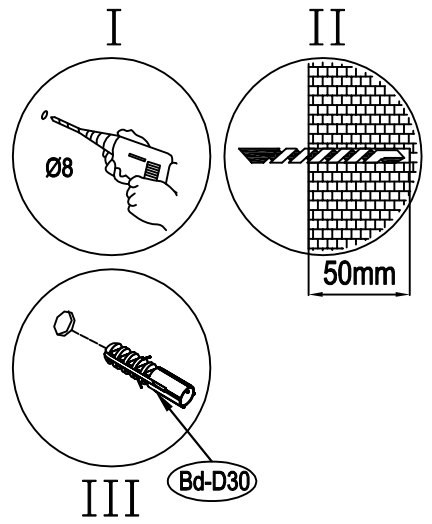
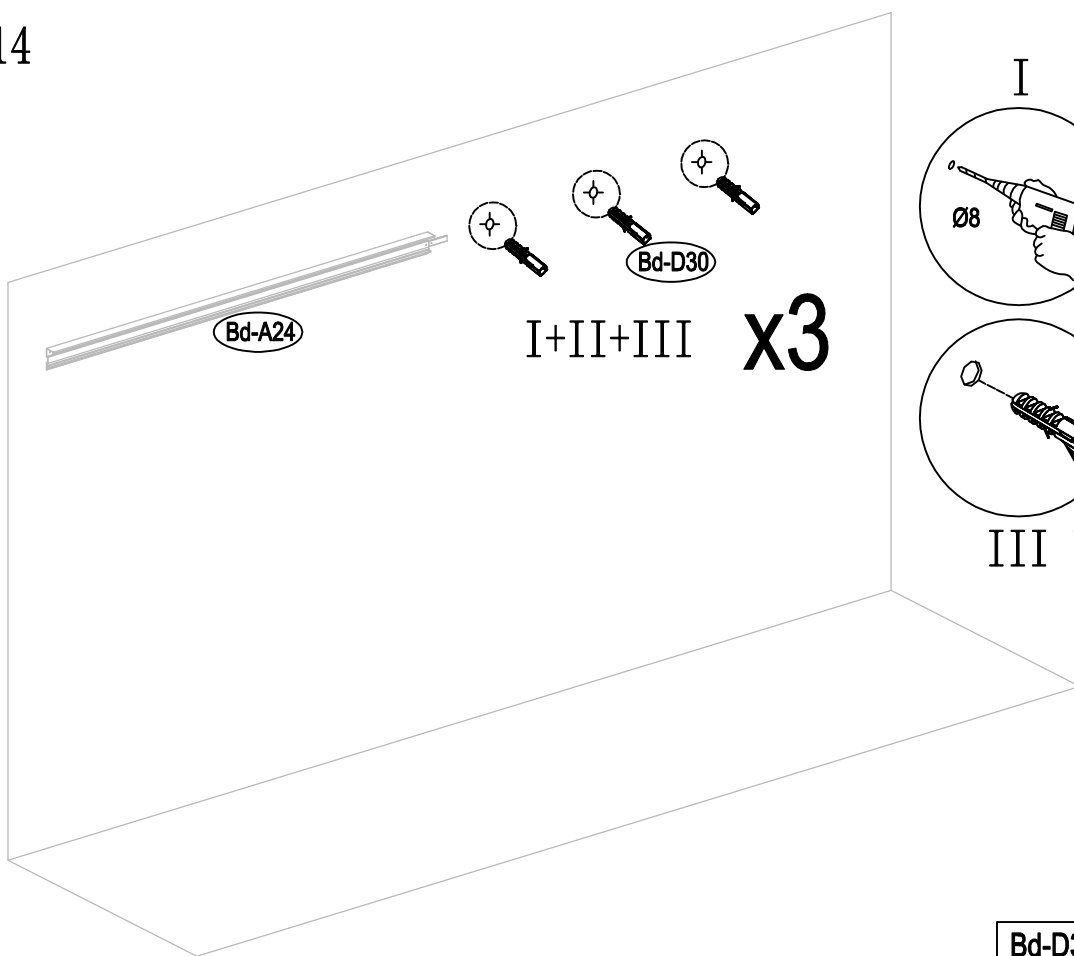


13



Bd-A24a		x1
---------	---	----

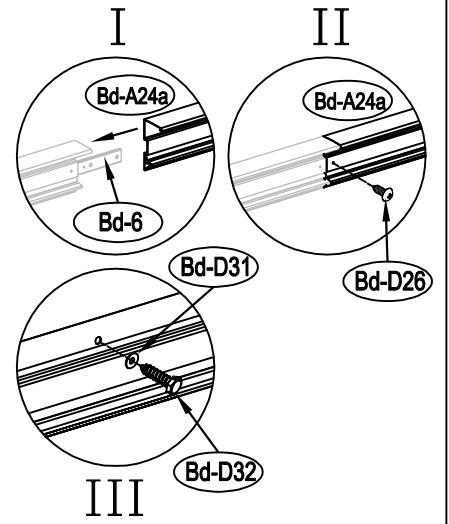
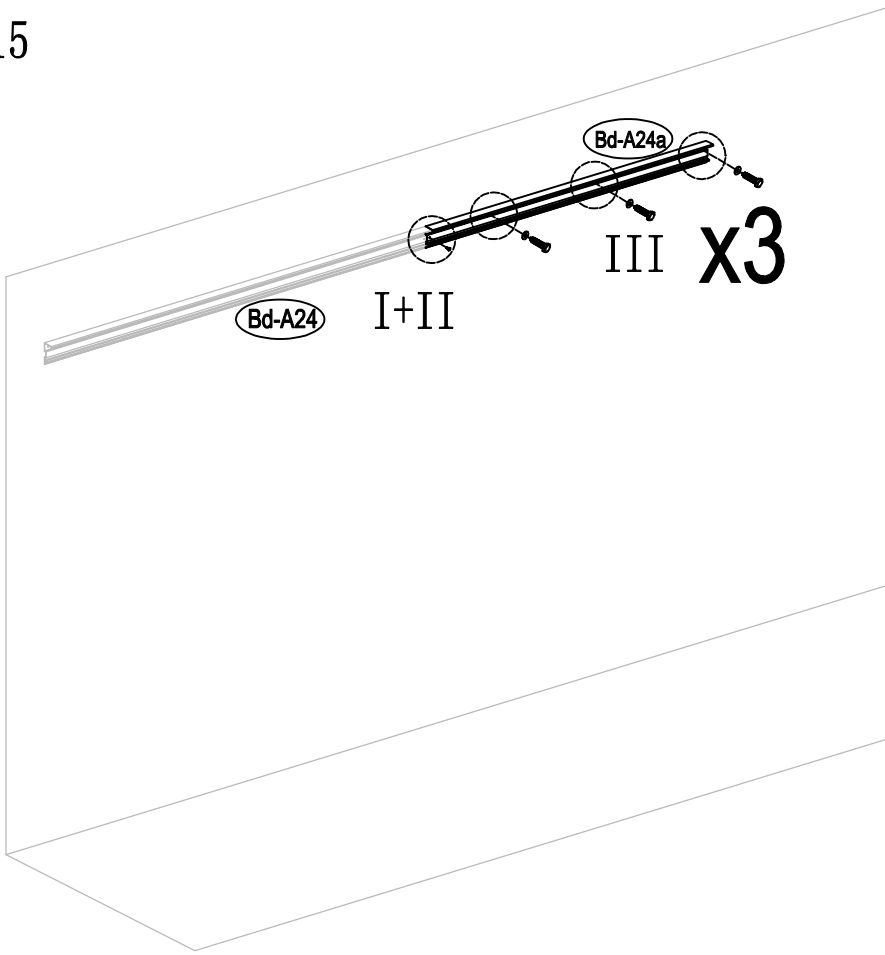
14



Bd-D30		x3
--------	---	----

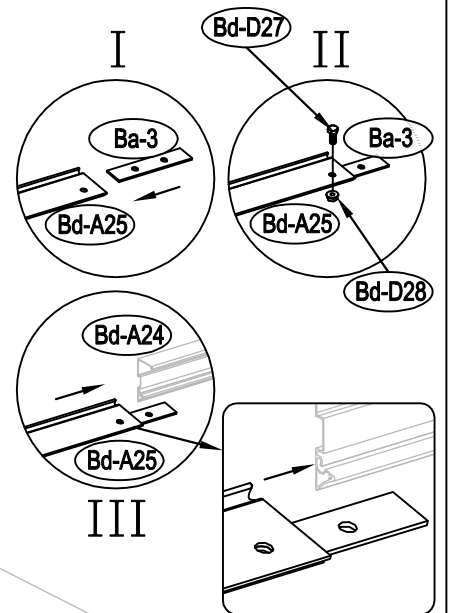
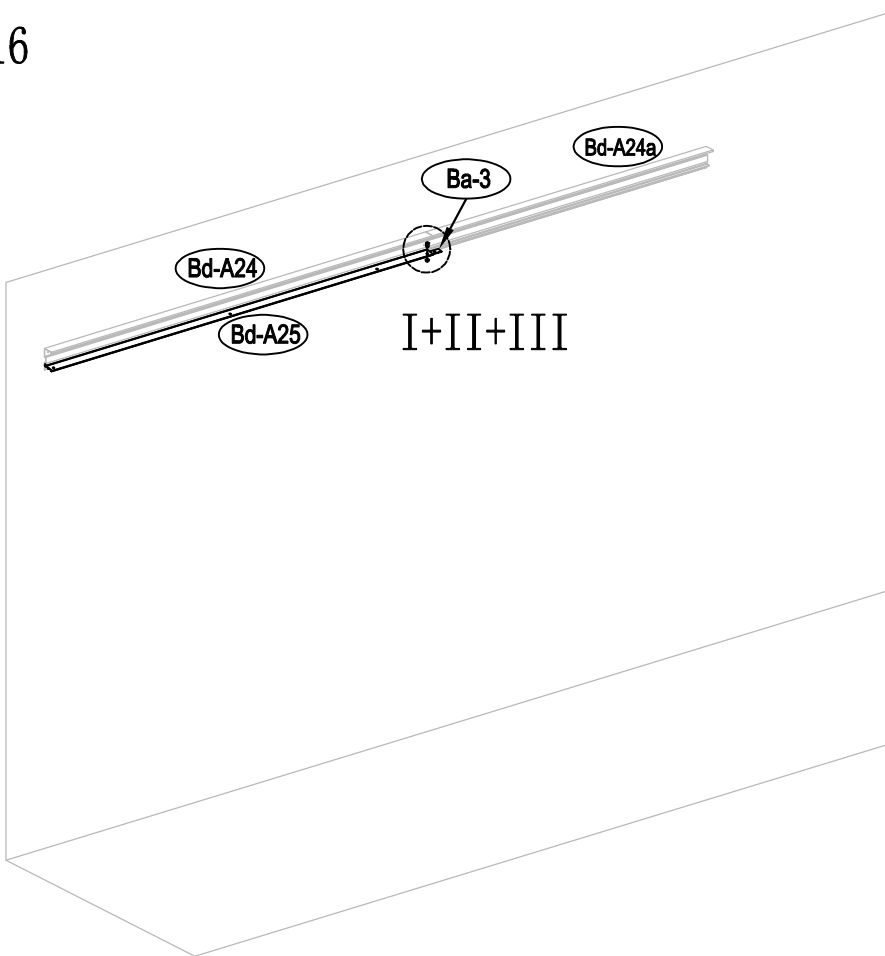


15



Bd-A24a		x1
Bd-D26		x1
Bd-D31		x3
Bd-D32		x3

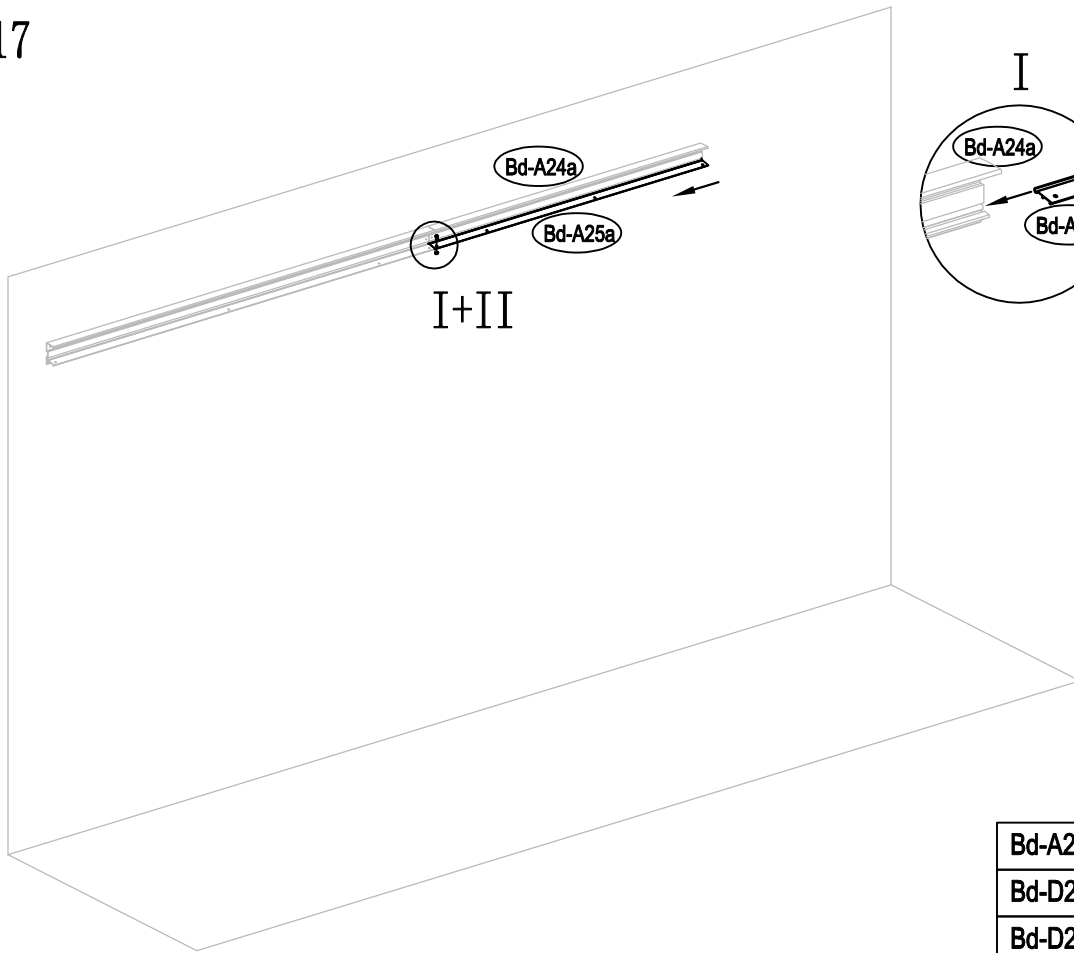
16



Ba-3		x1
Bd-A25		x1
Bd-D27		x1
Bd-D28		x1

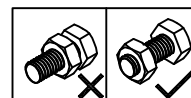
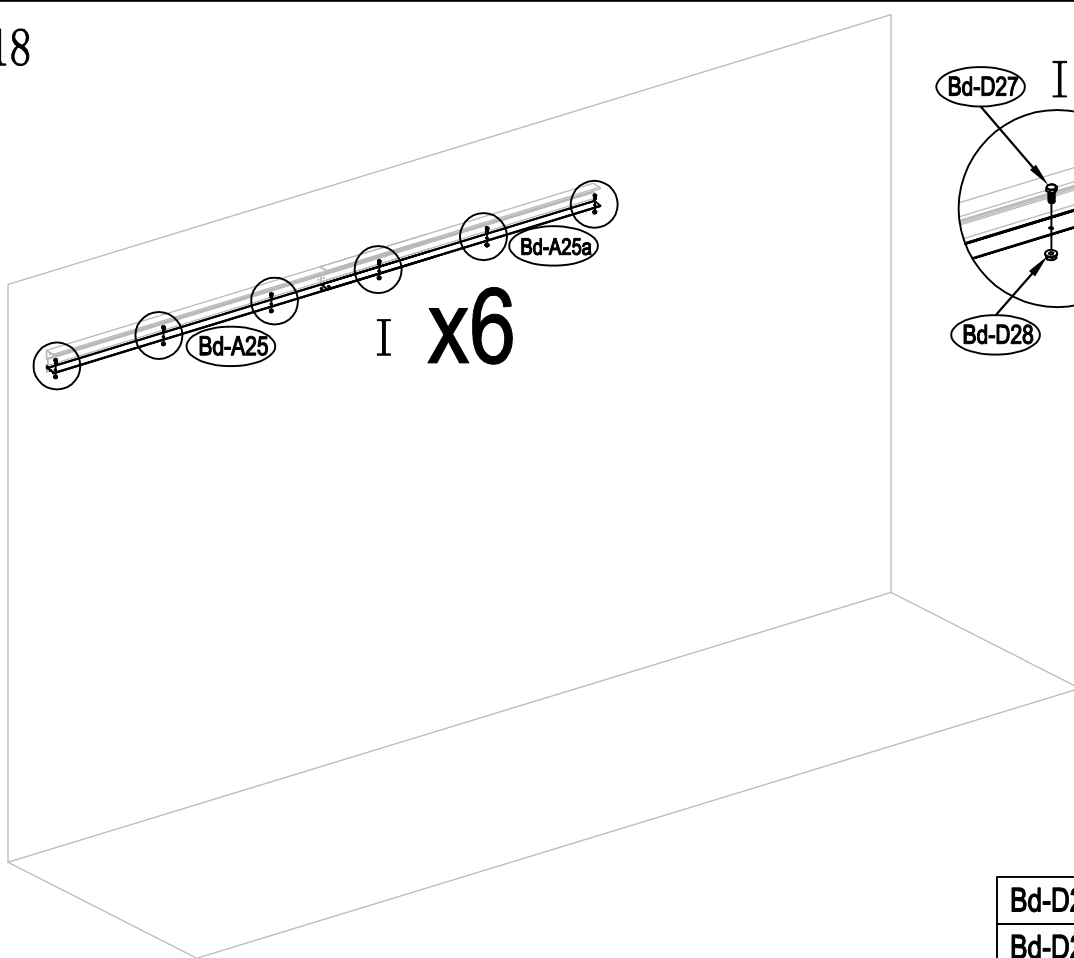


17



Bd-A25a		x1
Bd-D27		x1
Bd-D28		x1

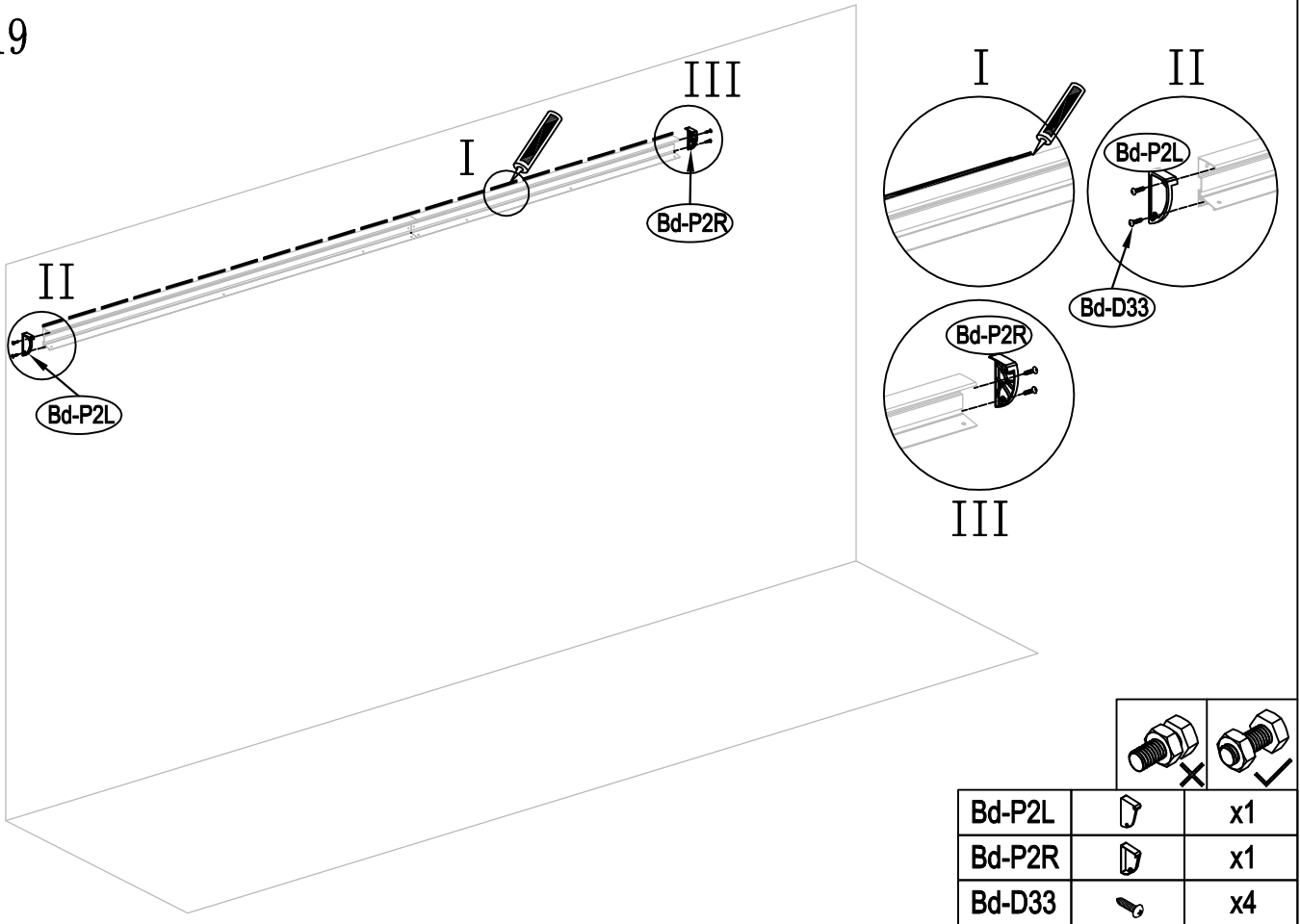
18



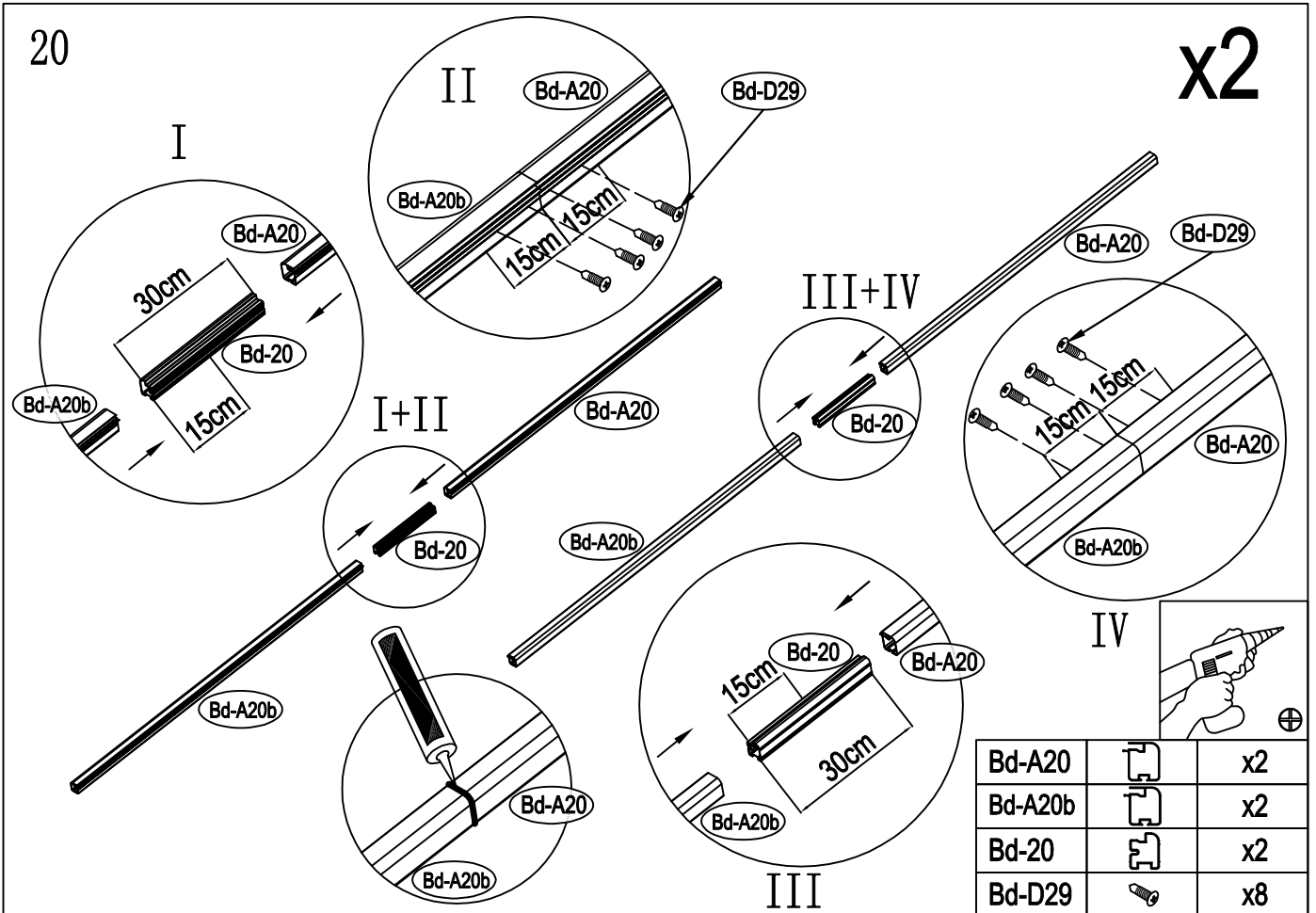
Bd-D27		x6
Bd-D28		x6



19



20

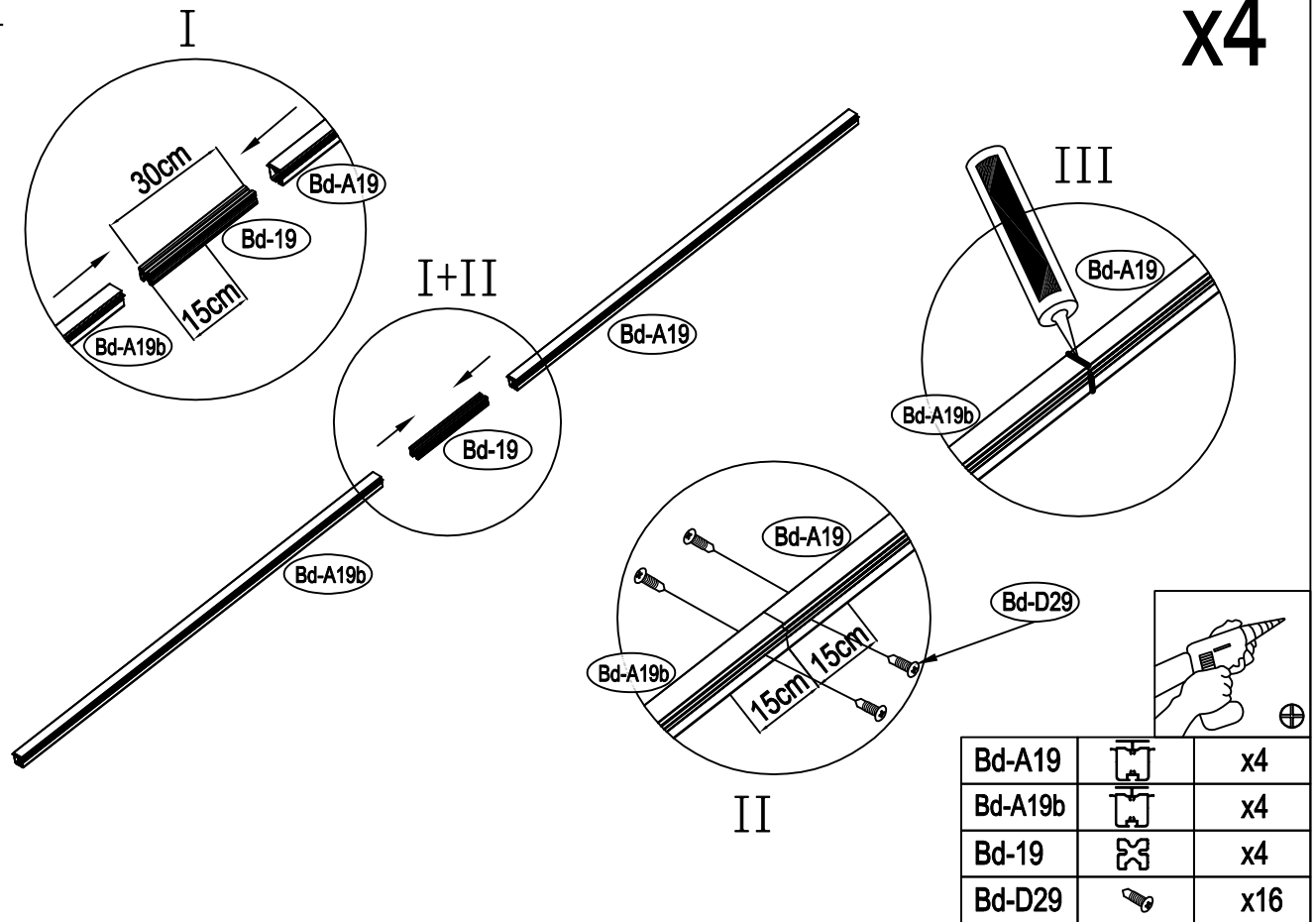


10

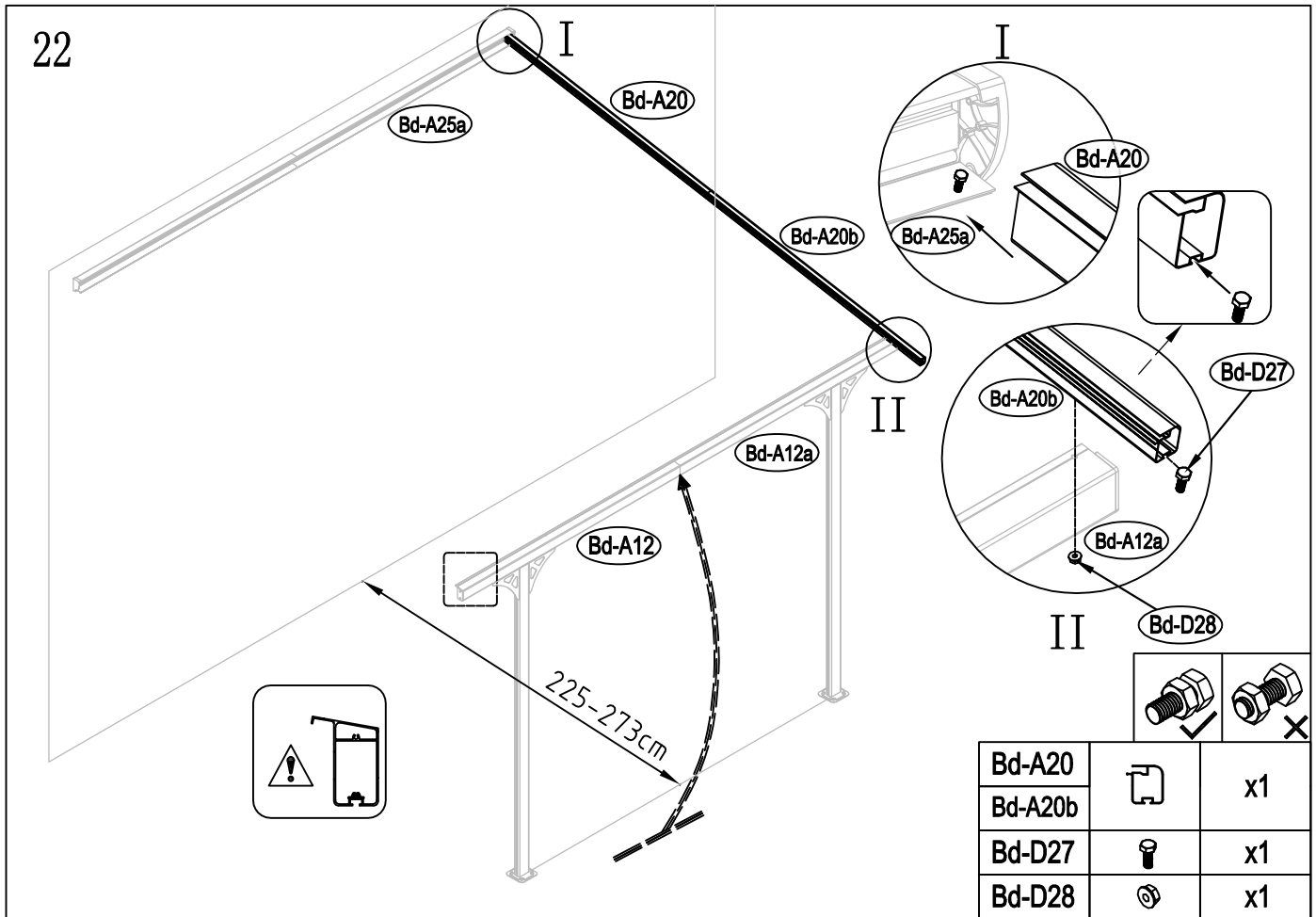


21

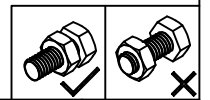
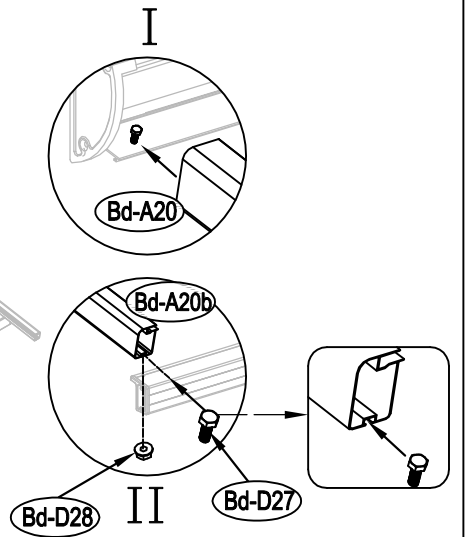
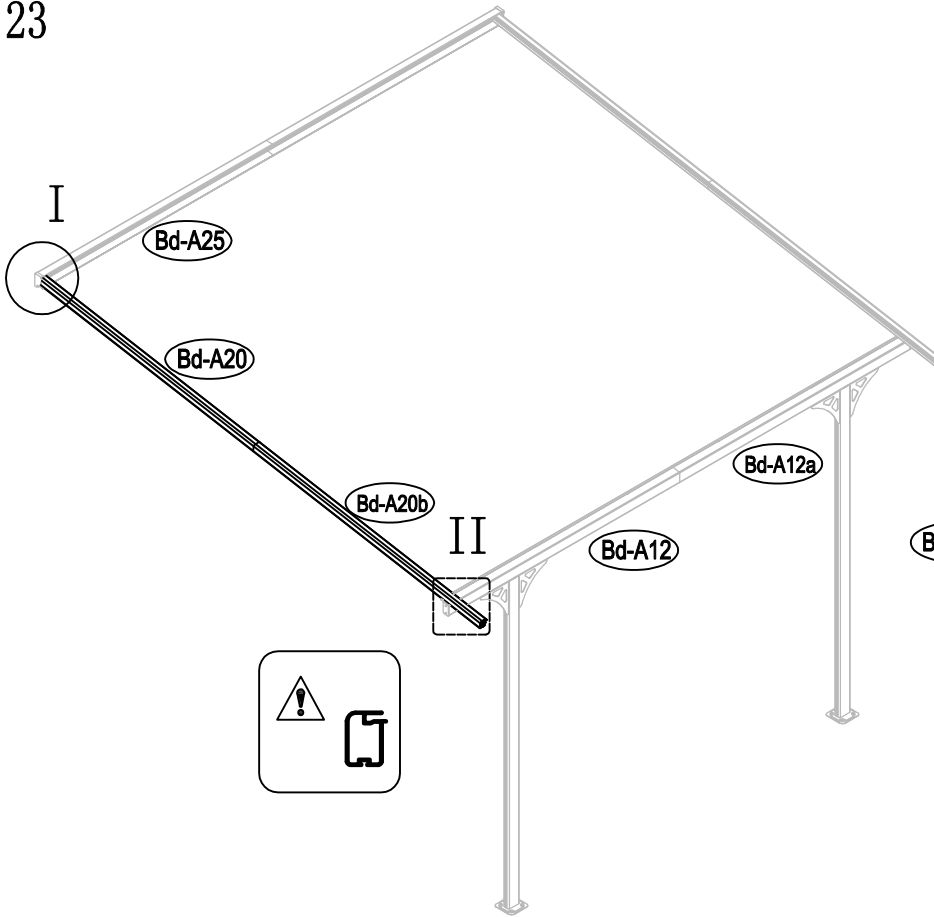
x4



22

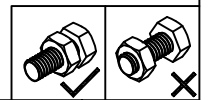
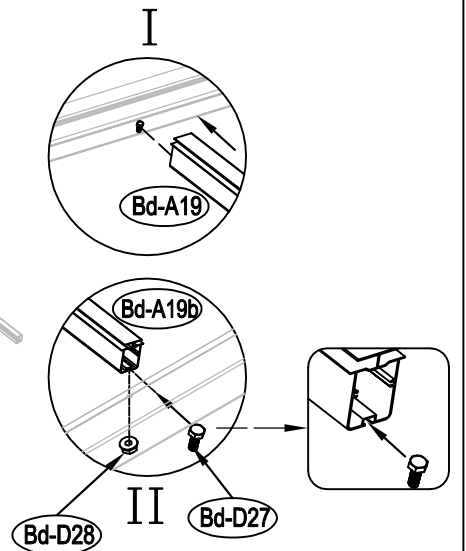
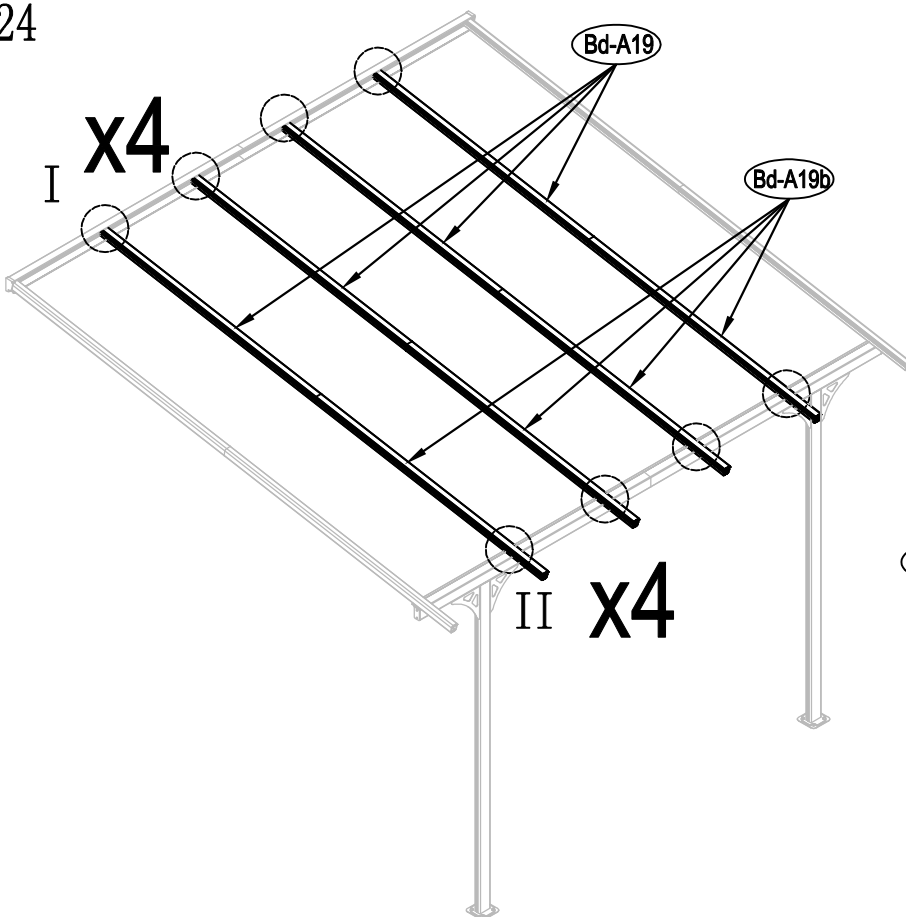


23



Bd-A20		x1
Bd-A20b		x1
Bd-D27		x1
Bd-D28		x1

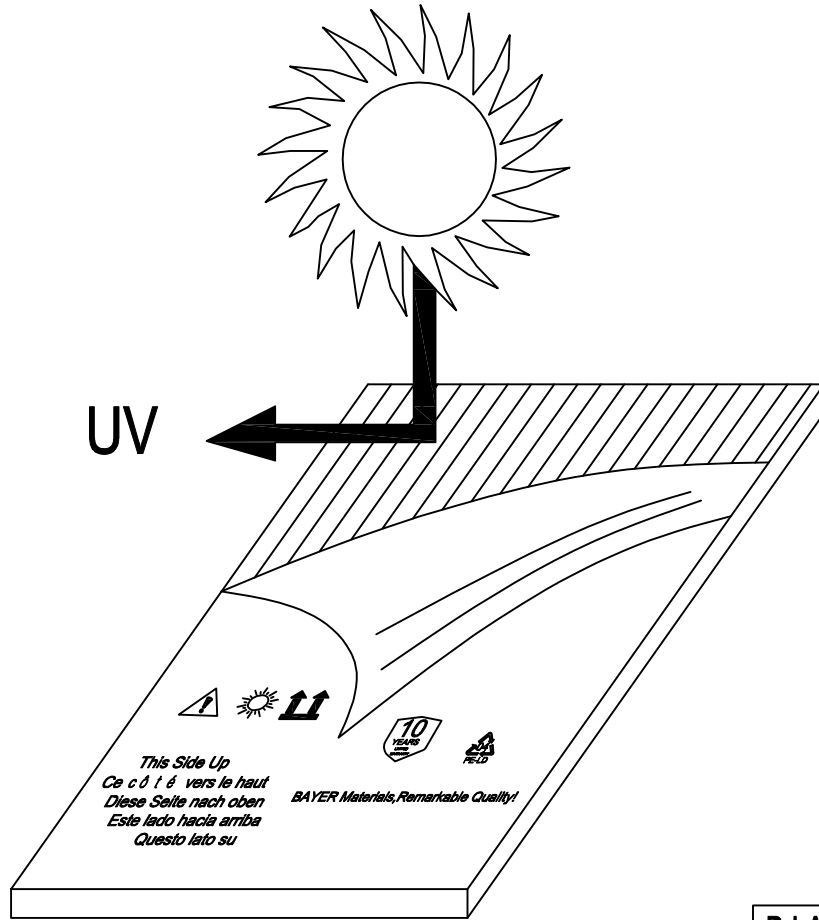
24



Bd-A19		x4
Bd-A19b		x4
Bd-D27		x4
Bd-D28		x4



25

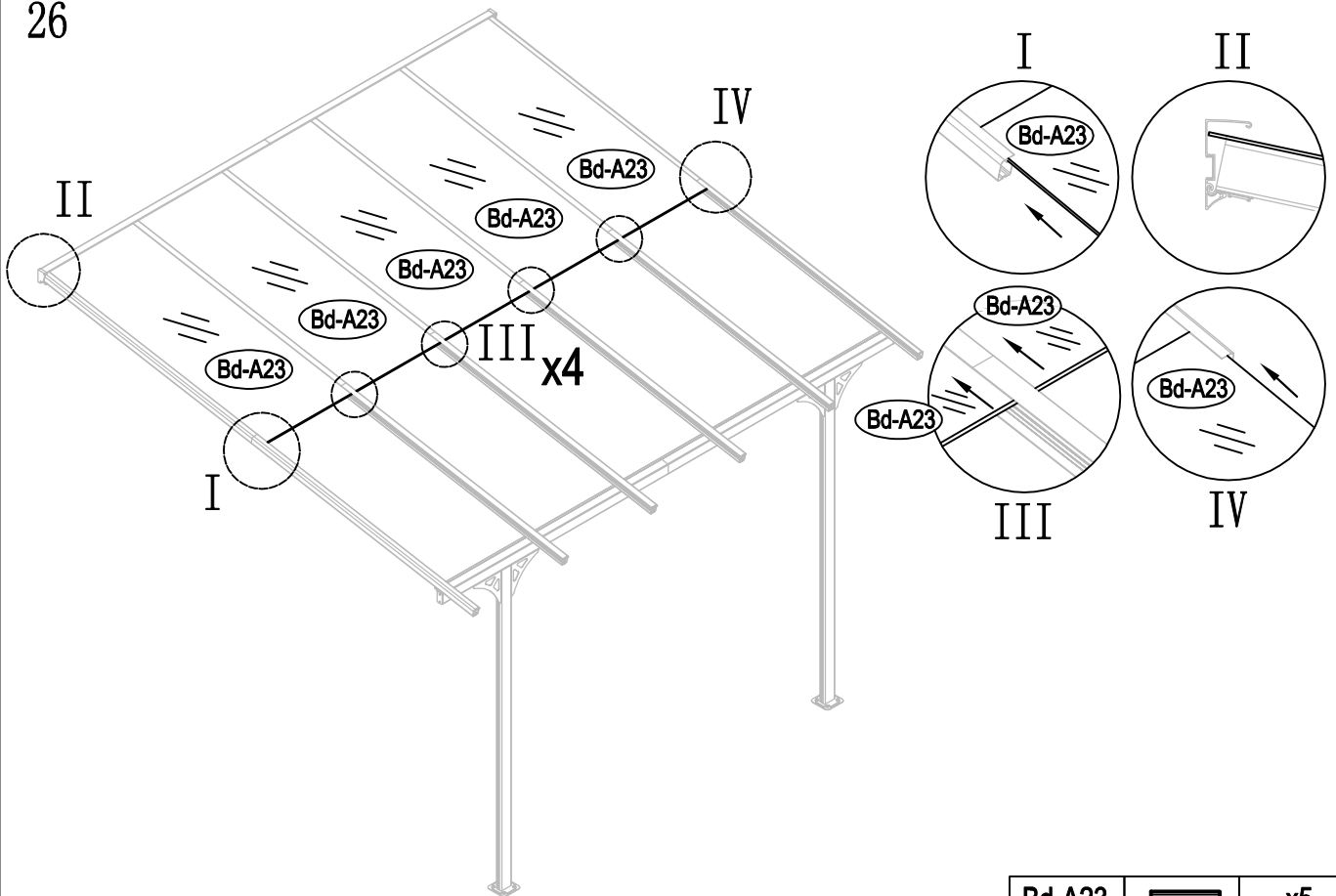


Bd-A23



x10

26



Bd-A23

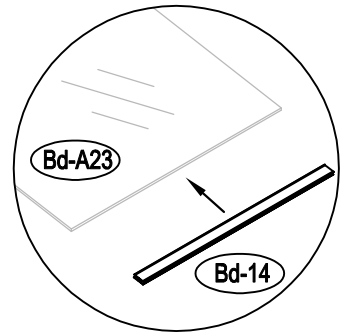
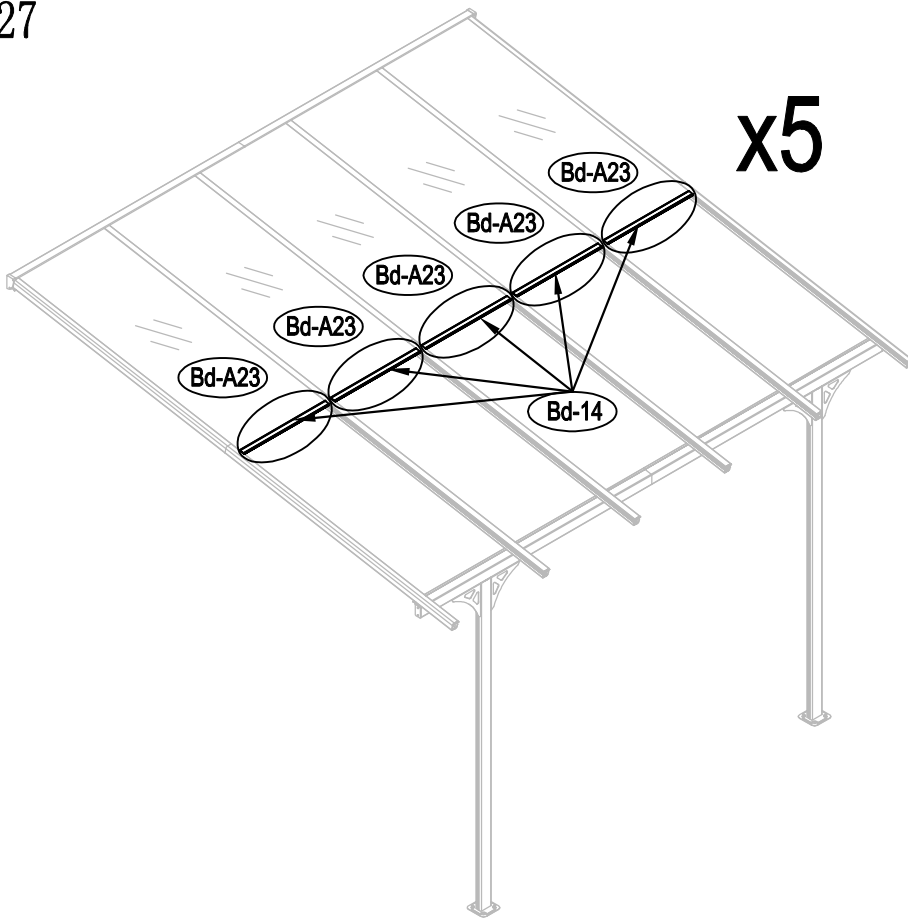


x5

13

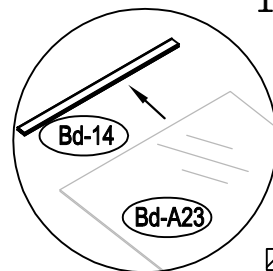
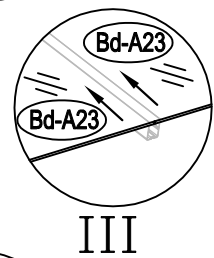
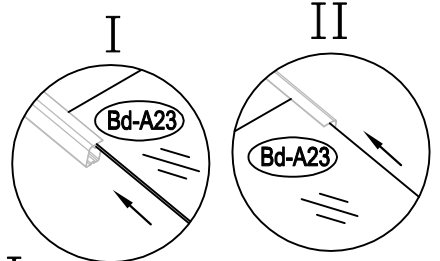
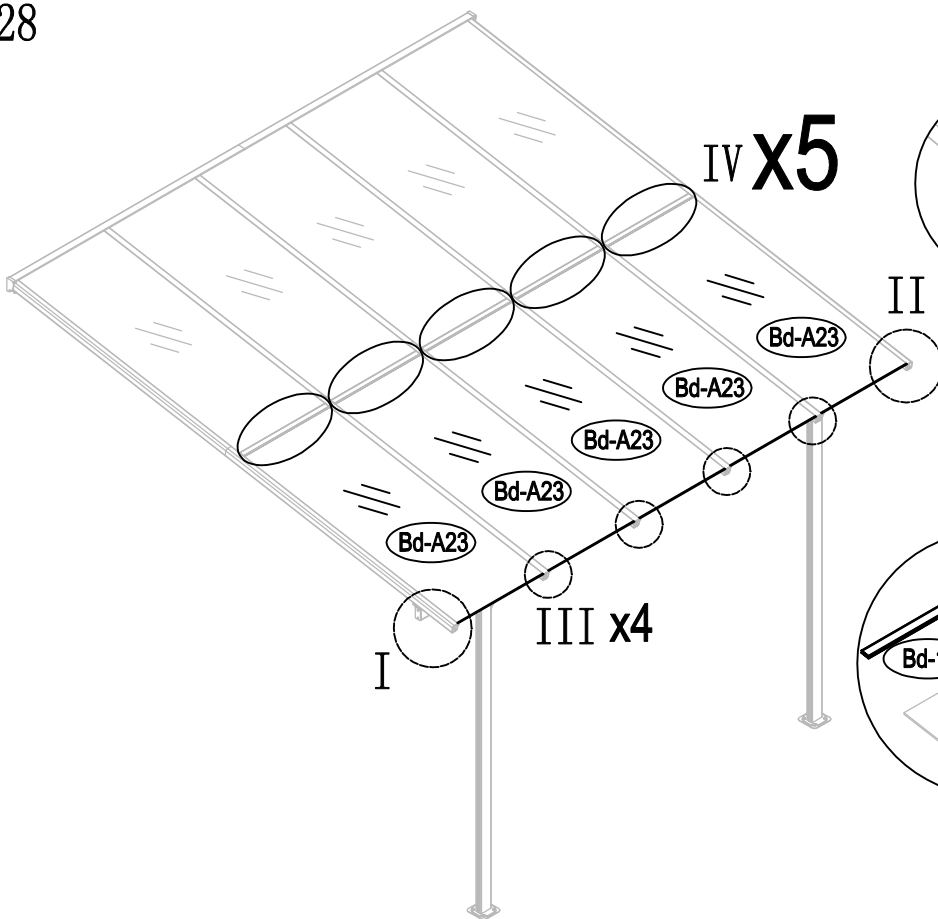


27



Bd-14		x5
-------	--	----

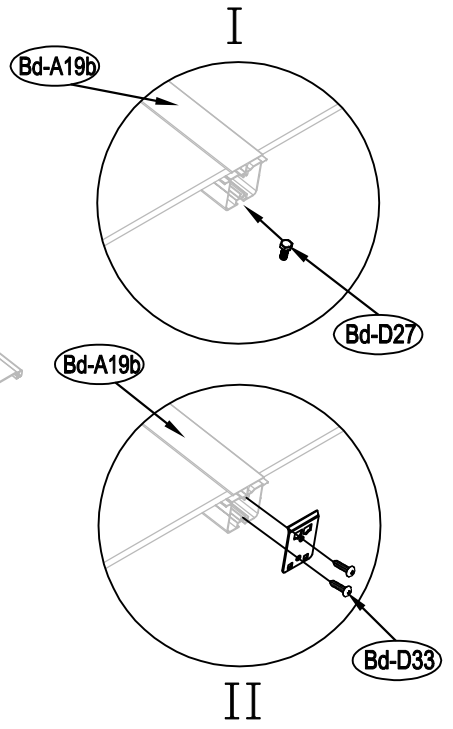
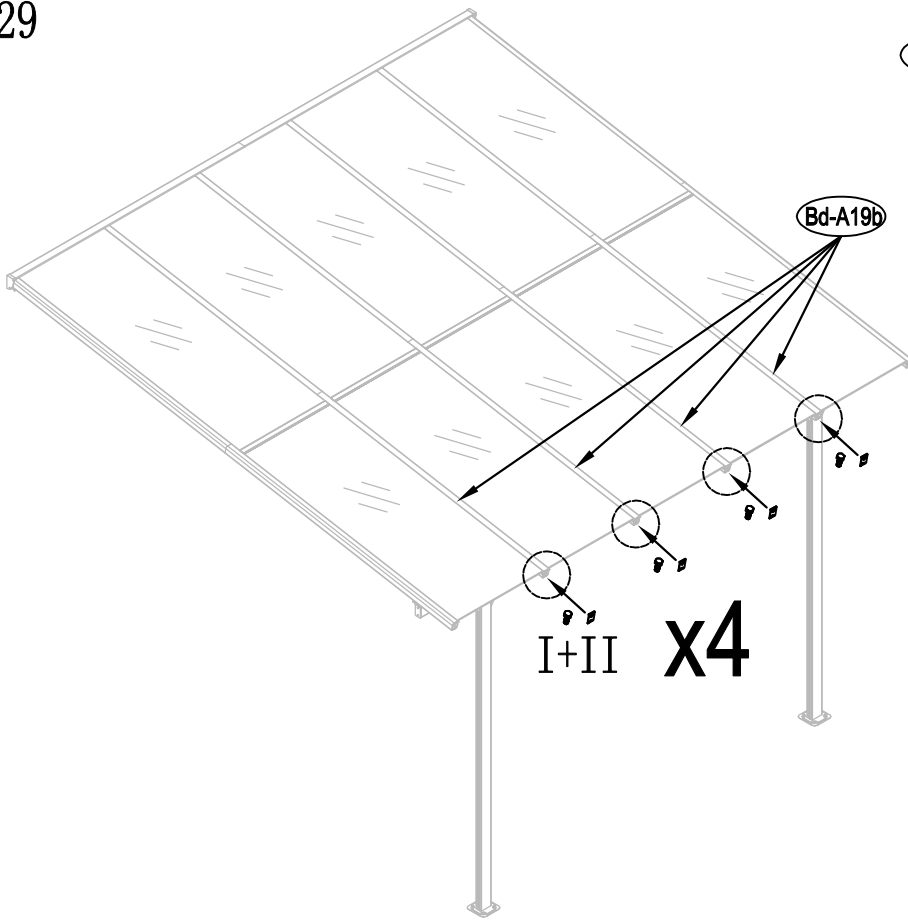
28



Bd-A23		x5
--------	--	----

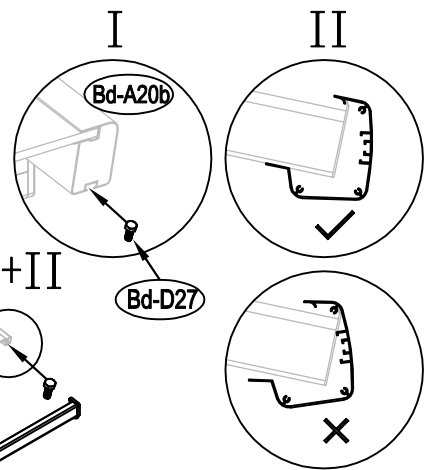
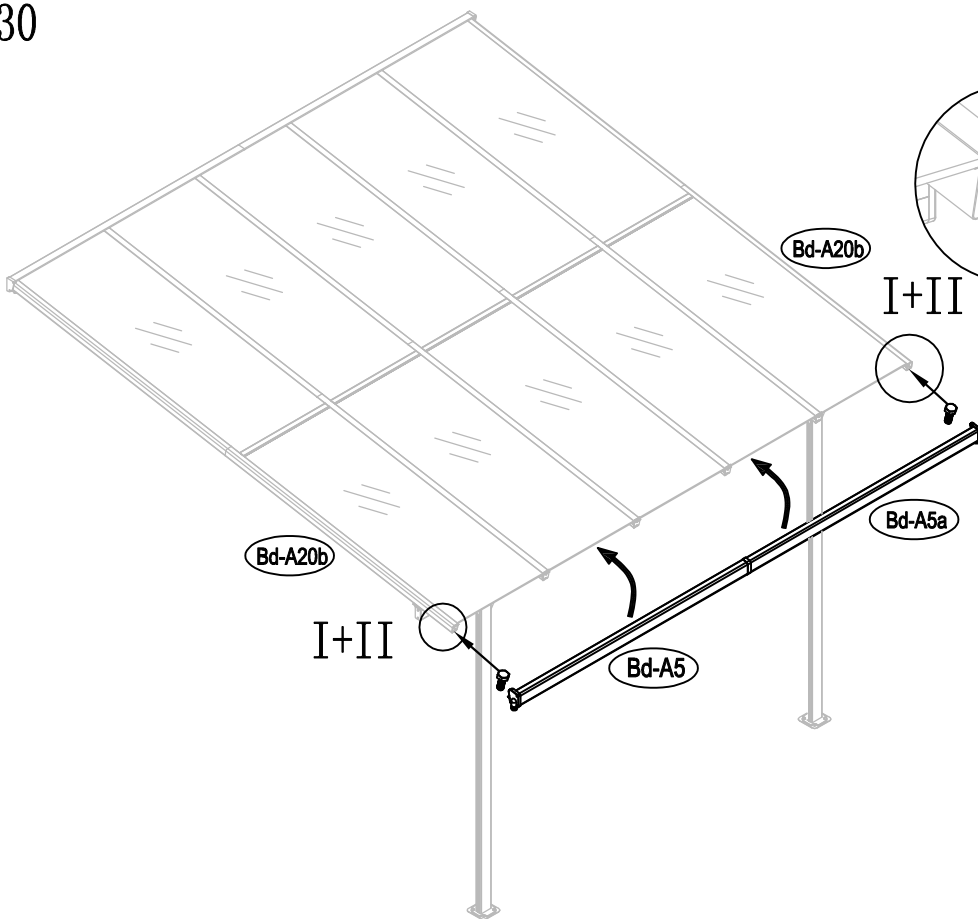


29



Bd-21		x4
Bd-D27		x4
Bd-D33		x8

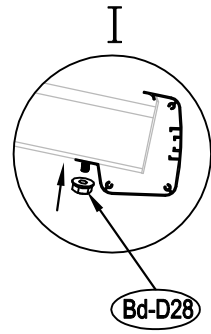
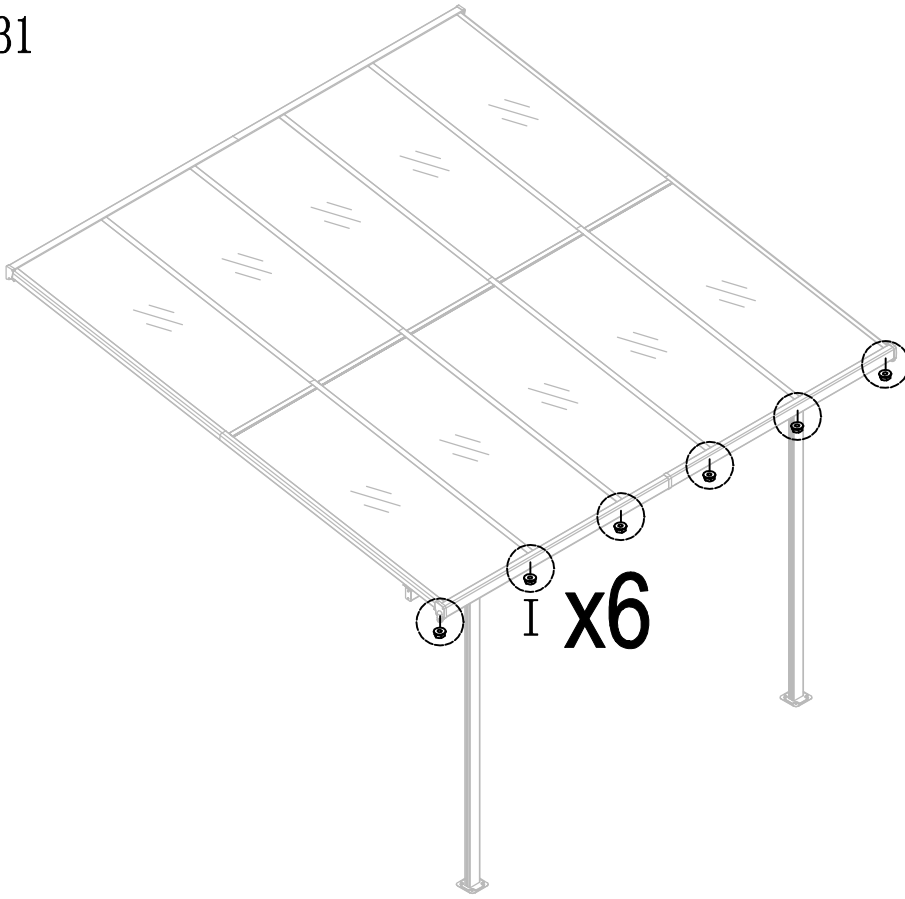
30



Bd-D27		x2
--------	--	----

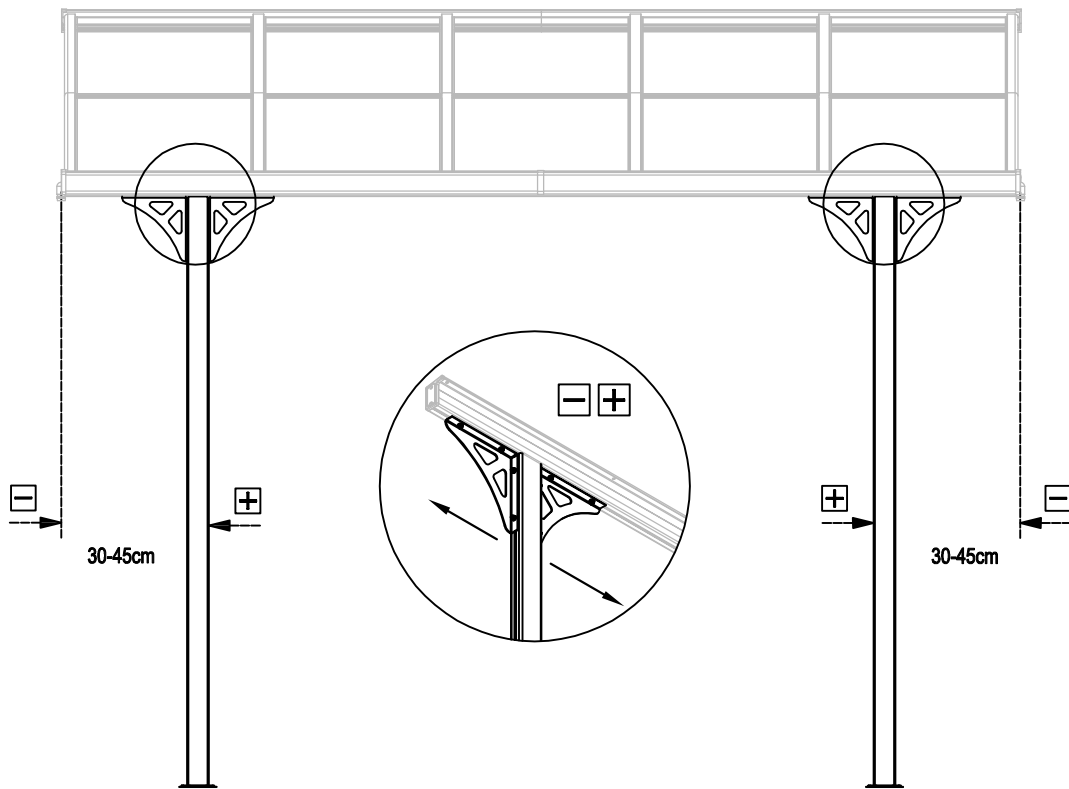


31

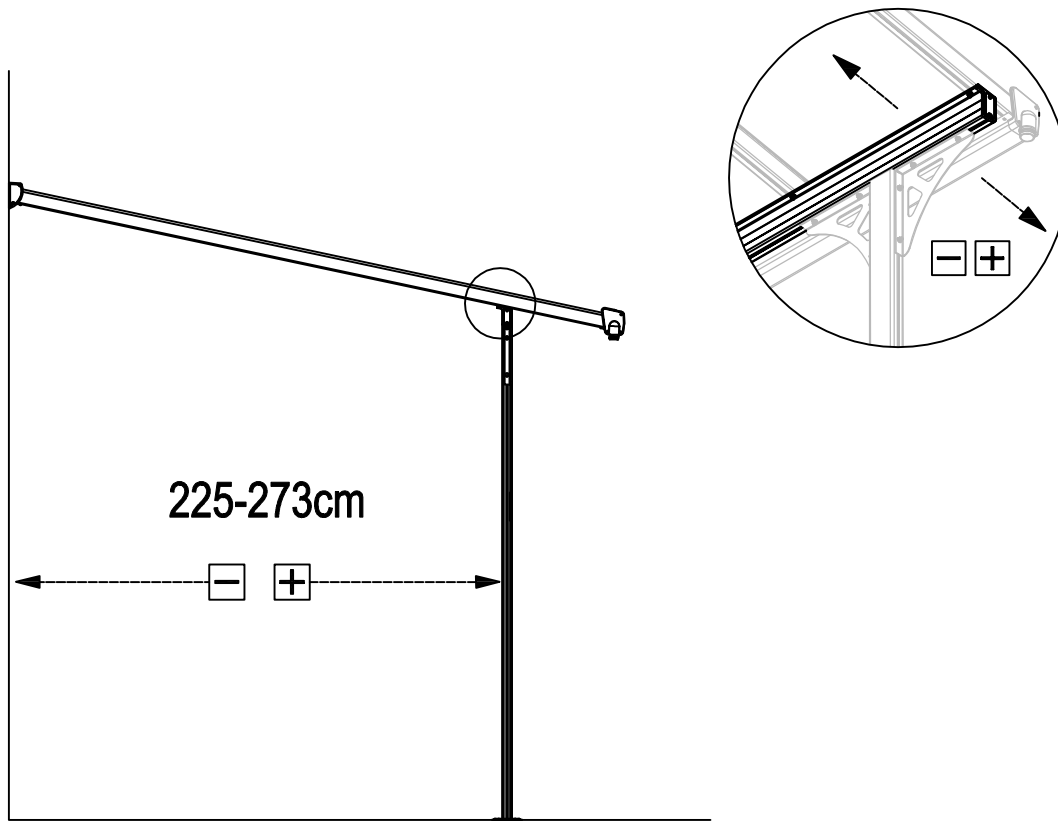


Bd-D28		x6
--------	--	----

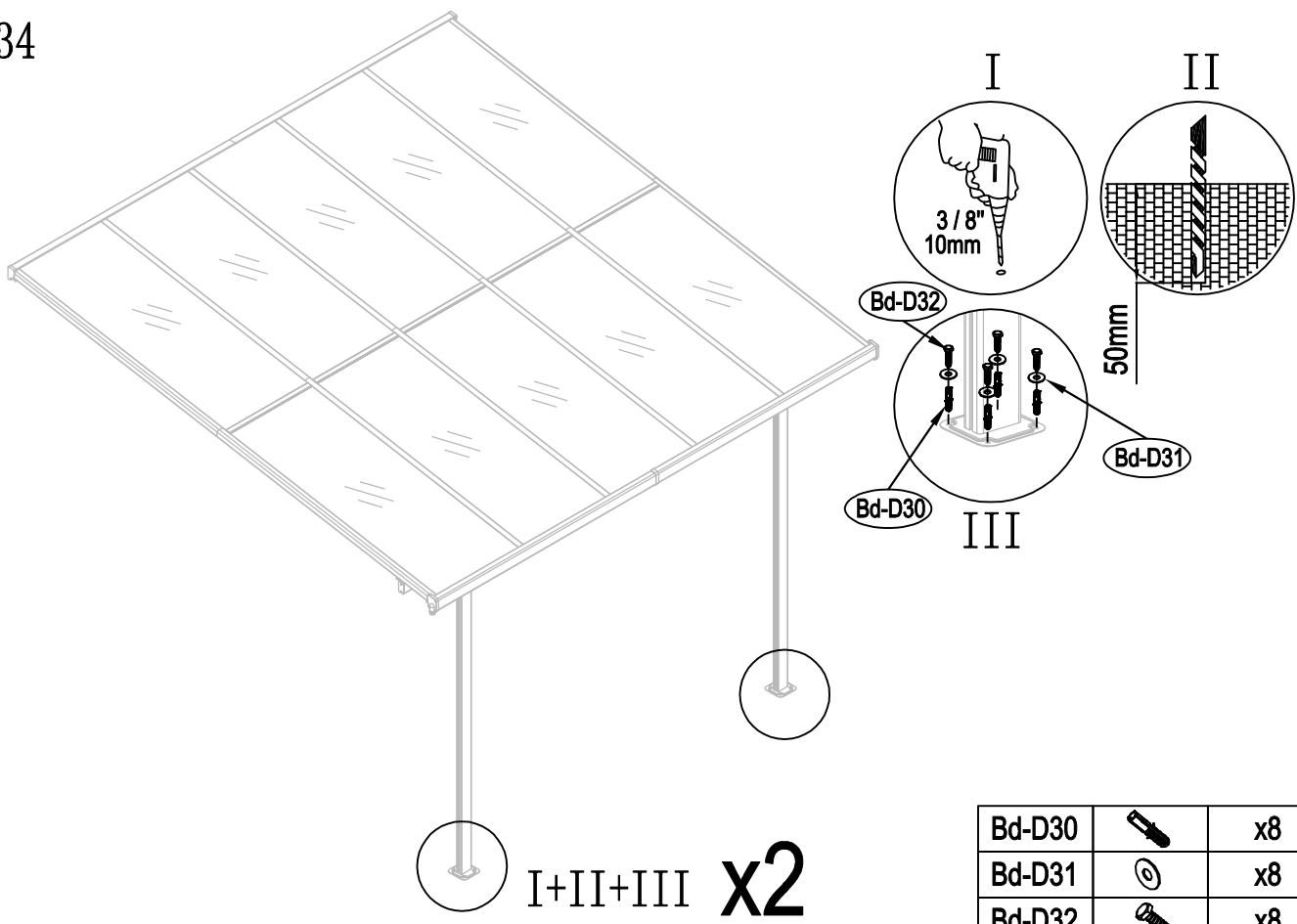
32



33



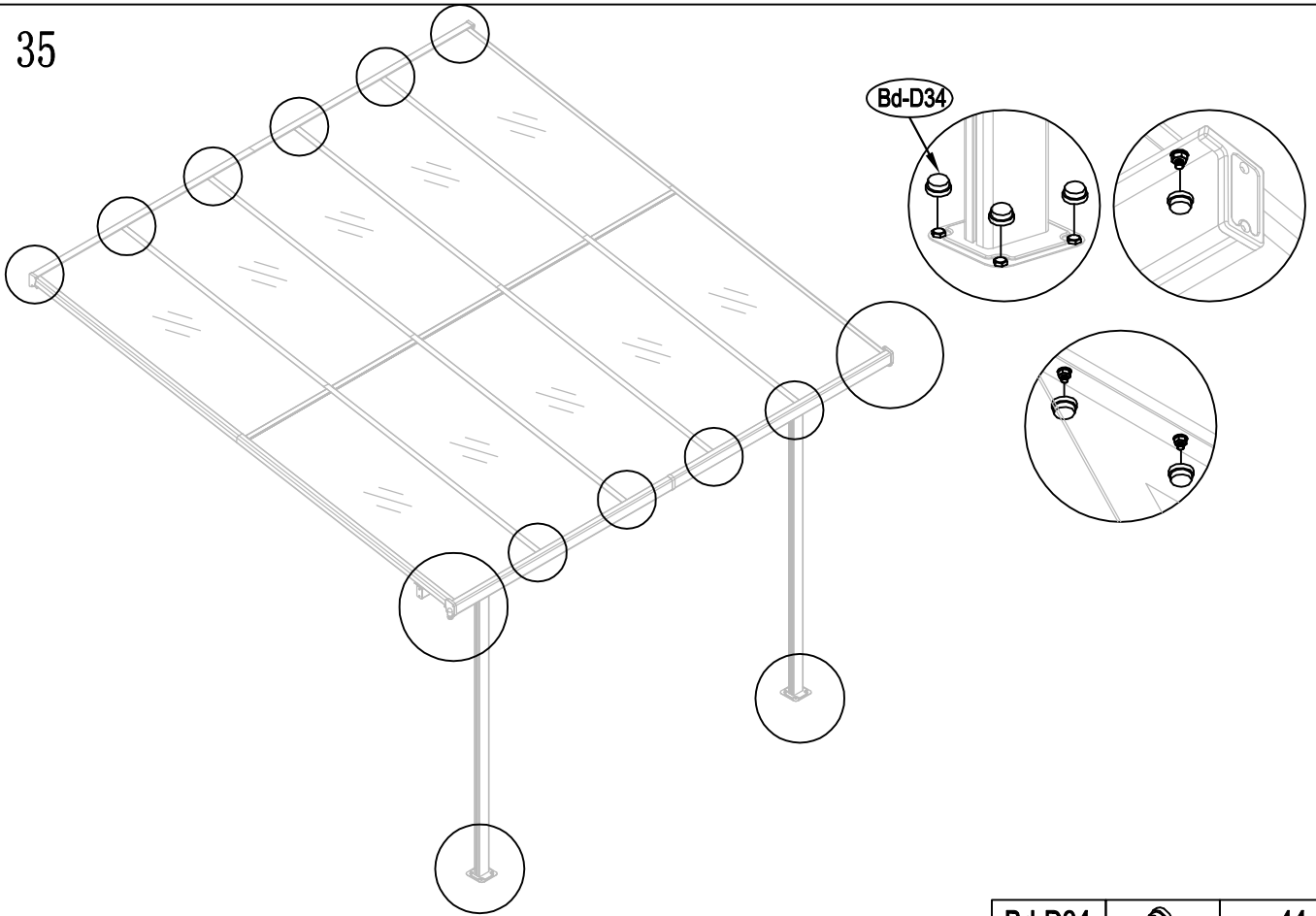
34



Bd-D30		x8
Bd-D31		x8
Bd-D32		x8



35



Bd-D34		x44
--------	---	-----

36

