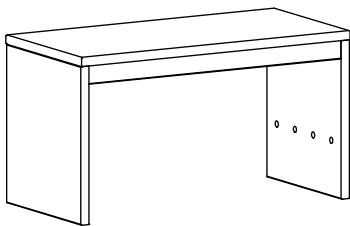
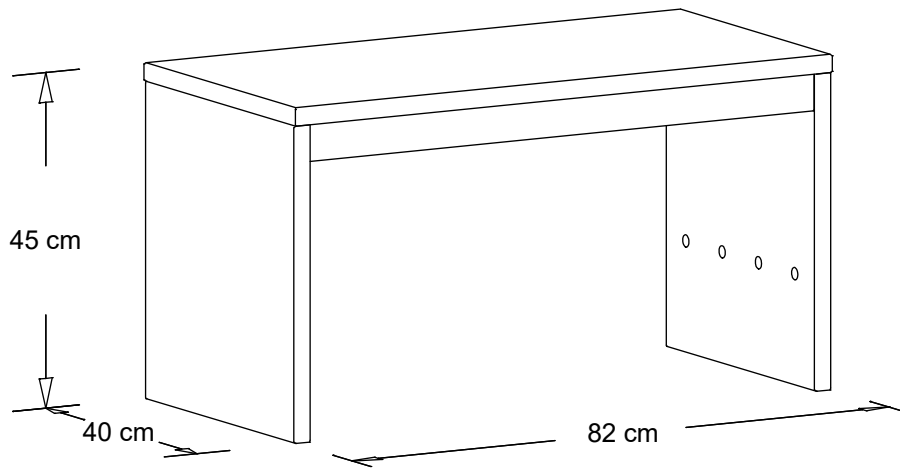


# Comma Bench - 2 seats

800 112

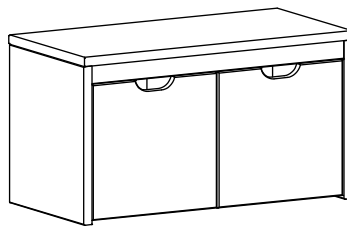
V01

V02



**800 112**

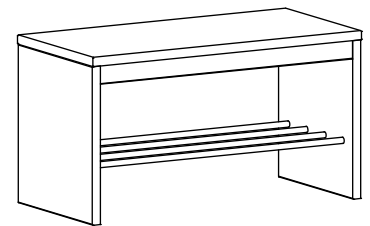
1 x 800 112



**V 01**

1 x 800 112

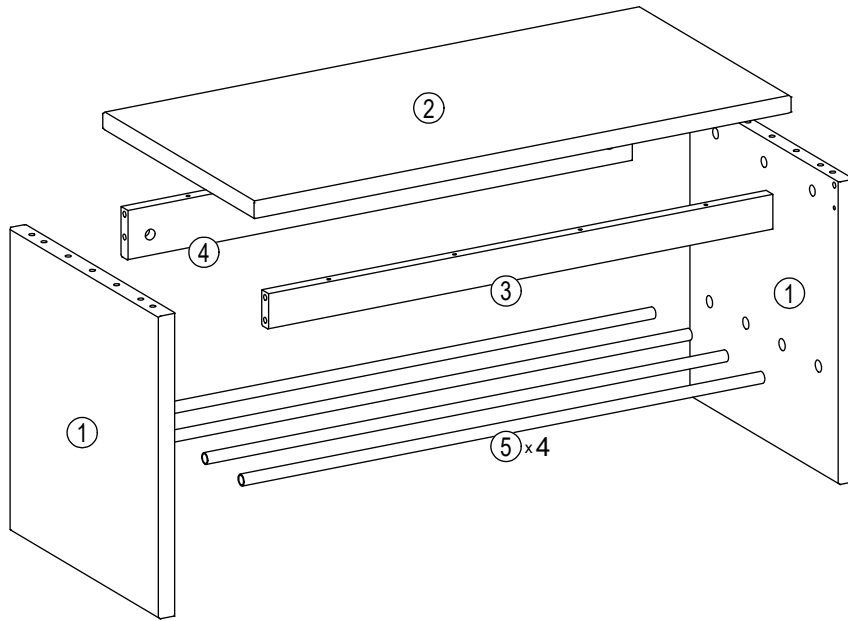
1 x 800 002



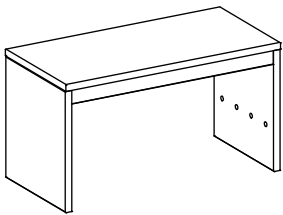
**V 02**



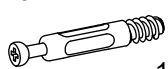

1 x 800 112

1 x 800 122

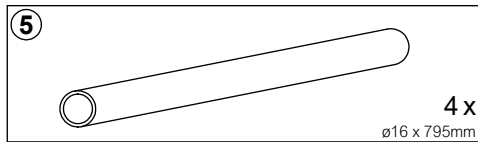


## 800 112


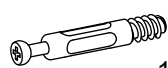


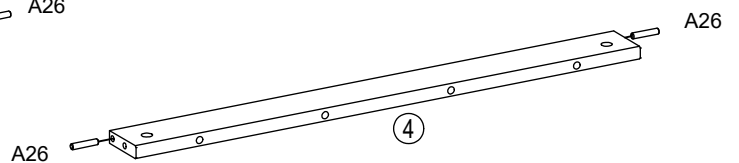
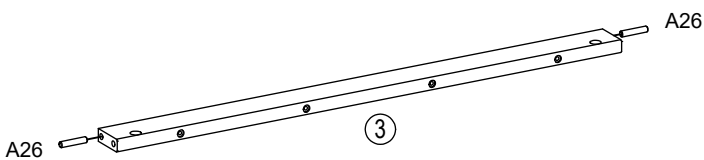
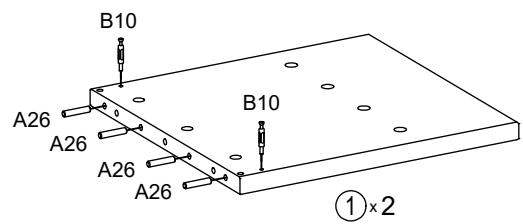
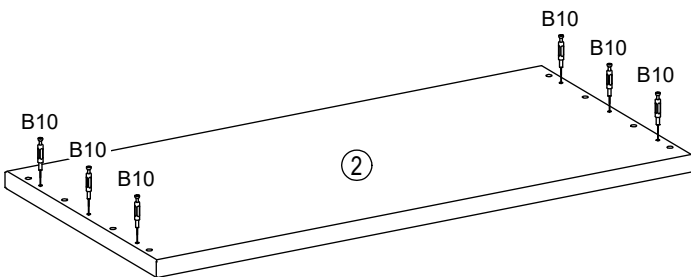
<b>A26</b>  12 x ø8 x 40mm	<b>B01</b>  10 x ø15 x 12,5mm	<b>B10</b>  10 x cc34, ø5 x 11mm	<b>D70</b>  8 x ø4,5 x 70mm
--	---	---	---

## 800 122

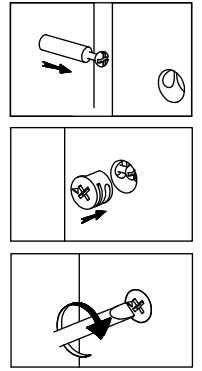
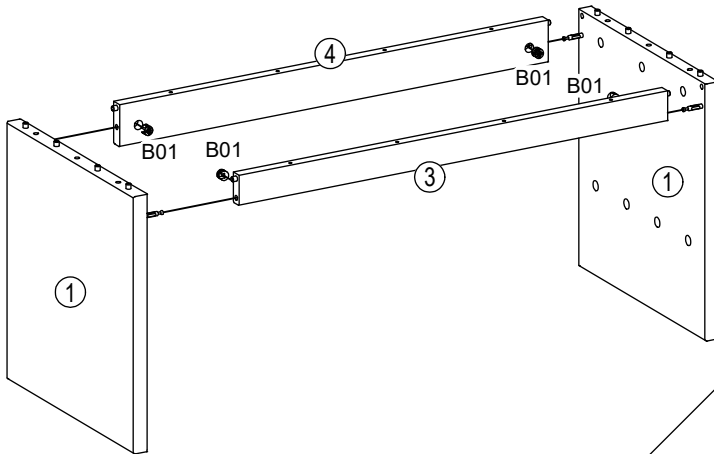
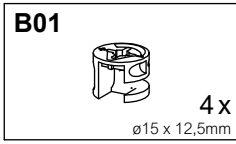


1

<b>A26</b>  12 x ø8 x 40mm	<b>B10</b>  10 x cc34, ø5 x 11mm
--	--

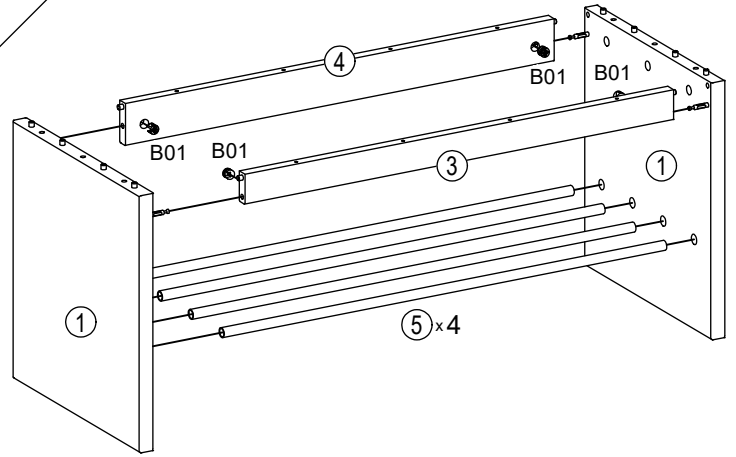


2

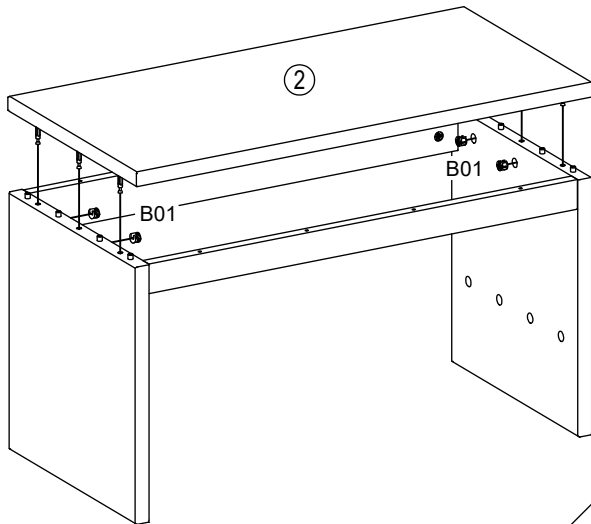
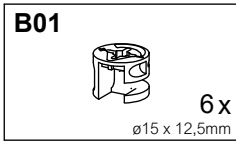


800 112

V 02

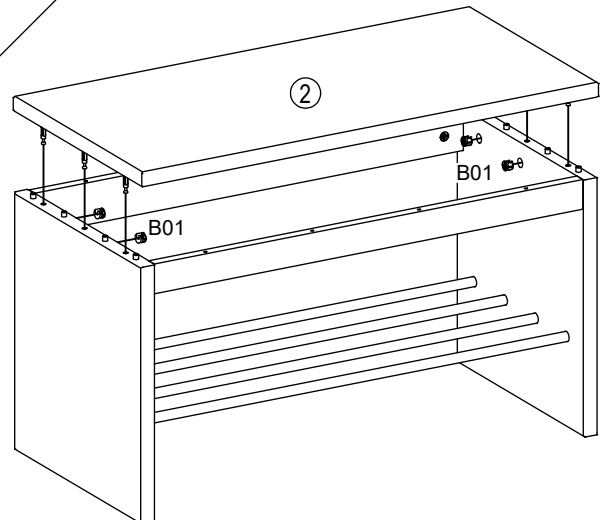


3

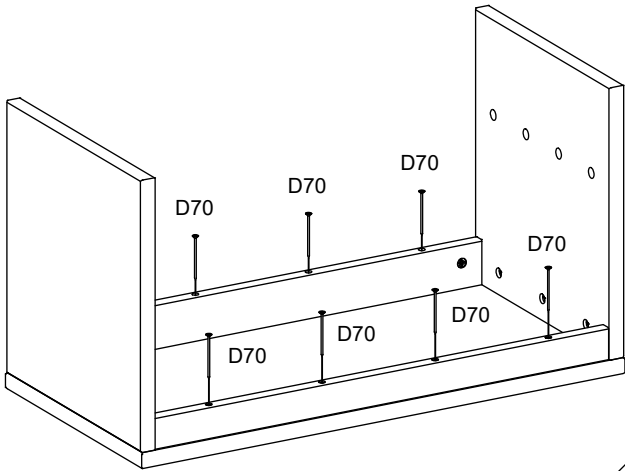
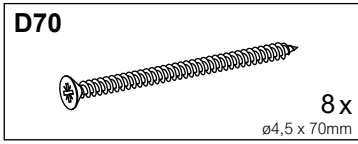


800 112

V 02

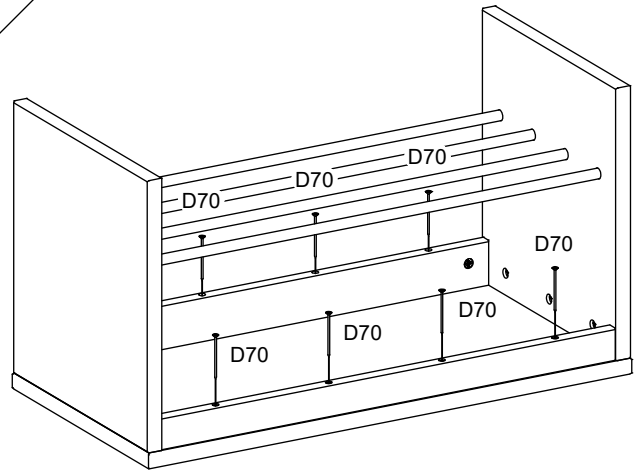


4

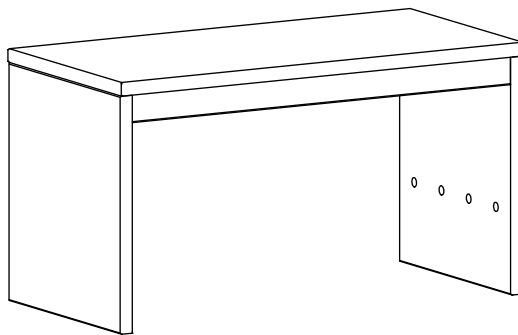


800 112

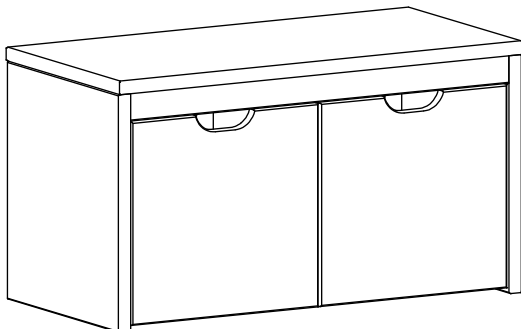
V 02



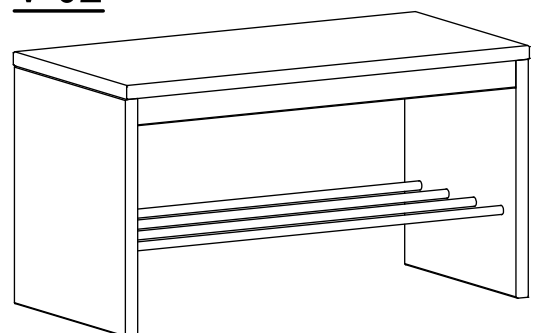
800 112



V 01



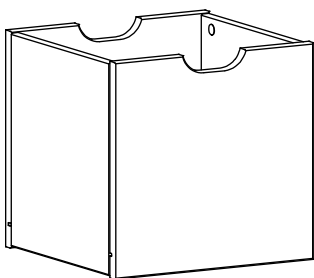
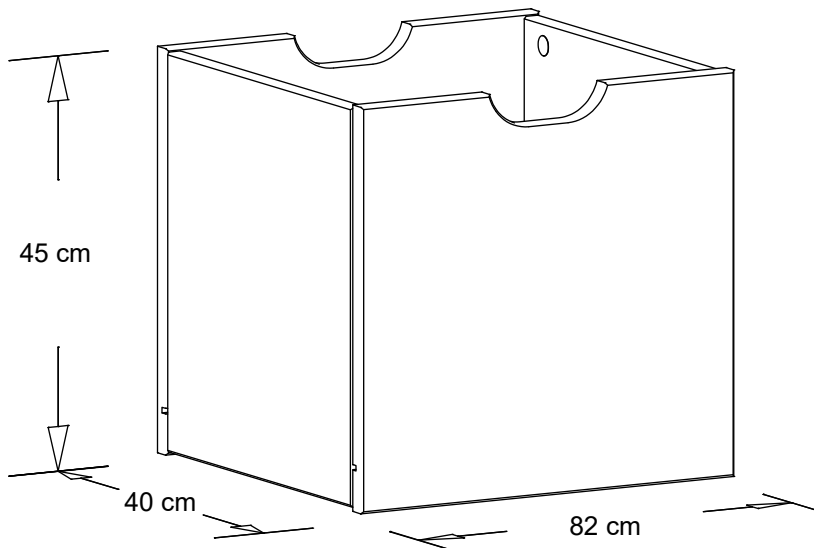
V 02



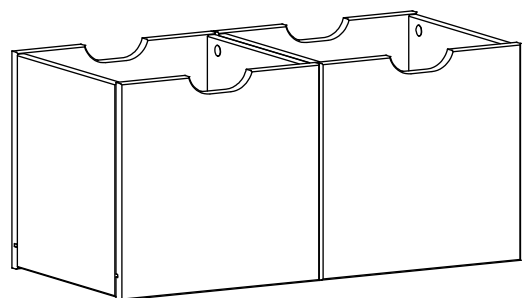
# Comma Drawer

800 001

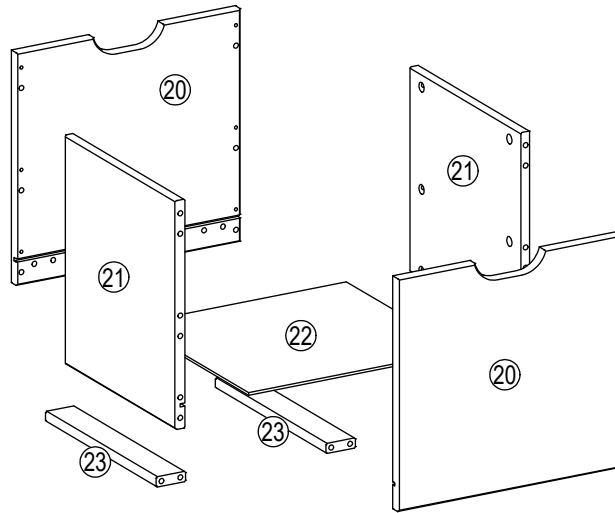
800 002



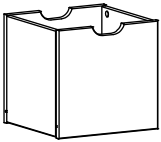
800 001



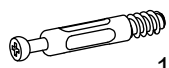

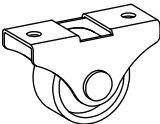



800 002

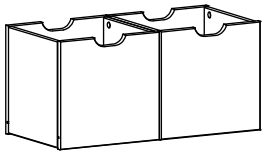




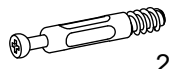

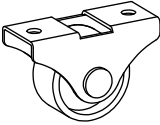

## 800 001




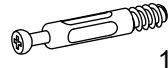

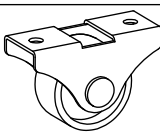
<b>A26</b>  20 x ø8 x 40mm	<b>B01</b>  12 x ø15 x 12,5mm	<b>B10</b>  12 x cc34, ø5 x 11mm	<b>E11</b>  8 x ø3,5 x 16mm
<b>T90</b>  4 x ø26 x 29mm	<b>U02</b>  12 x ø18mm		

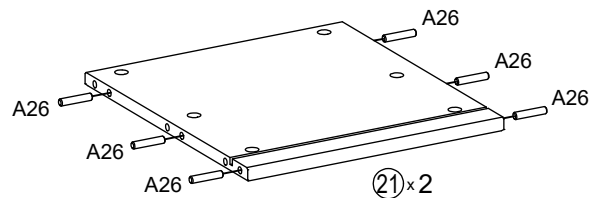
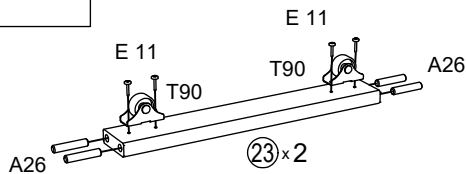
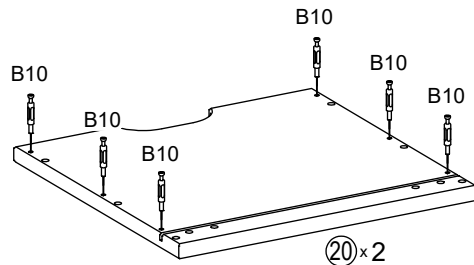
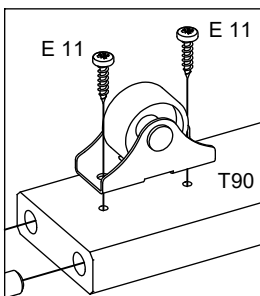
## 800 002



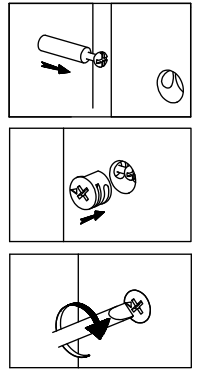
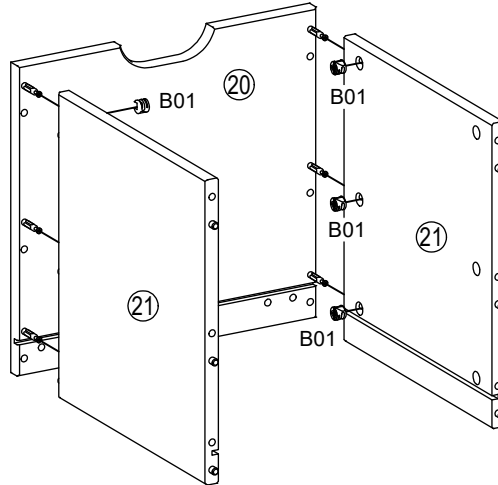
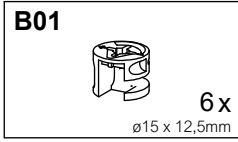
<b>A26</b>  40 x ø8 x 40mm	<b>B01</b>  24 x ø15 x 12,5mm	<b>B10</b>  24 x cc34, ø5 x 11mm	<b>E11</b>  16 x ø3,5 x 16mm
<b>T90</b>  8 x ø26 x 29mm	<b>U02</b>  24 x ø18mm		

1

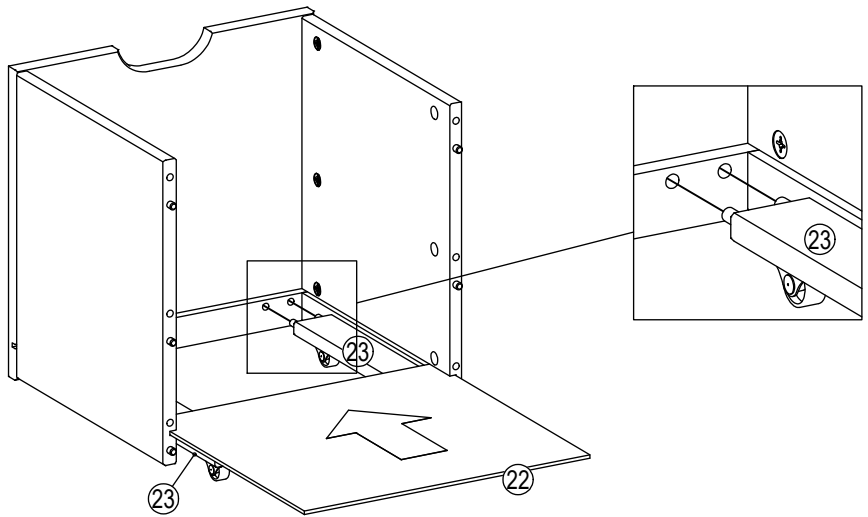
<b>A26</b>  20 x ø8 x 40mm	<b>B10</b>  12 x cc34, ø5 x 11mm	<b>E11</b>  8 x ø3,5 x 16mm	<b>T90</b>  4 x ø26 x 29mm
--	--	---	--



2



3



4

