



ANDES 2.0



EX59

**OWNER'S MANUAL  
BENUTZERHANDBUCH  
GEBRUIKERSHANDLEIDING  
MANUEL DU PROPRIÉTAIRE**



**Read the ELLIPTICAL GUIDE before using this OWNER'S MANUAL.**

**Lesen Sie das ELLIPTICAL TRAINER-HANDBUCH, bevor Sie dieses BENUTZERHANDBUCH verwenden.**

**Lees de ELLIPTICALGIDS voor u deze GEBRUIKERSHANDLEIDING gebruikt.**

**Lisez le guide de L'ELLIPTIQUE avant d'utiliser ce MANUEL DU PROPRIÉTAIRE.**

3	ENGLISH
31	DEUTSCH
59	NEDERLANDS
87	FRANÇAIS

# IMPORTANT PRECAUTIONS



## SAVE THESE INSTRUCTIONS

Read this ELLIPTICAL GUIDE before using the OWNER'S MANUAL. When using an electrical product, basic precautions should always be followed, including the following: Read all instructions before using this elliptical. It is the responsibility of the owner to ensure that all users of this elliptical are adequately informed of all warnings and precautions.



## **WARNING**

### **TO REDUCE THE RISK OF BURNS, FIRE, ELECTRICAL SHOCK OR INJURY TO PERSONS:**

- If you experience any kind of pain, including but not limited to chest pains, nausea, dizziness, or shortness of breath, stop exercising immediately and consult your physician before continuing.
- When exercising, always maintain a comfortable pace. Do not sprint above 80 RPMs on this machine. Incorrect or excessive exercise may damage your health.
- To maintain balance, it is recommended to keep a grip on the handlebars while exercising, mounting or dismounting the machine.
- Do not turn pedal arms by hand.
- Make sure handlebars are secure before each use.
- Keep the topside of the foot support clean and dry.
- Care should be taken when mounting or dismounting the equipment. Before mounting or dismounting, move the pedal on the mounting or dismounting side to its lowest position and bring the machine to a complete stop.
- Do not wear clothes that might catch on any part of the elliptical.
- Always wear athletic shoes while using this equipment.
- Do not jump on the elliptical.
- At no time should more than one person be on the elliptical while in operation.
- This elliptical is intended for in-home use only. Do not use this elliptical in any commercial, rental, school or institutional setting. Failure to comply will void the warranty.
- Do not use elliptical in any location that is not temperature controlled, such as but not limited to garages, porches, pool rooms, bathrooms, car ports or outdoors. Failure to comply will void the warranty.
- This elliptical complies with the EN957-1/9 standard, class of elliptical: HB; braking system is adjustable.
- To prevent electrical shock, never drop or insert any object into any opening.
- Keep power cord away from heated surfaces. Do not carry this unit by its supply cord or use the cord as a handle.
- Disconnect all power before servicing or moving the equipment. To clean, wipe surfaces down with soap and slightly damp cloth only; never use solvents. (See MAINTENANCE)
- Do not use other attachments that are not recommended by the manufacturer. Attachments may cause injury.
- Do not operate where aerosol (spray) products are being used or when oxygen is being administered.
- Use the elliptical only as described in the elliptical guide and owner's manual.
- The equipment shall be installed on a stable base.





At NO time should children under the age of 13 be closer to the elliptical than 10 feet.

At NO time should children under the age of 13 use the elliptical.

Children over the age of 13 or disabled persons should not use the elliptical without adult supervision.



It is essential that your elliptical is used only indoors, in a climate controlled room. If your elliptical has been exposed to colder temperatures or high moisture climates, it is strongly recommended that the elliptical is warmed up to room temperature before first time use. Failure to do so may cause premature electronic failure.

## GROUNDING INSTRUCTIONS

If an elliptical should malfunction or breakdown, grounding provides a path of least resistance for electrical current to reduce the risk of electrical shock. This product is equipped with a cord having an equipment-grounding conductor and a grounding plug. The plug must be plugged into an appropriate outlet that is properly installed and grounded in accordance with local codes and ordinances.

Improper connection of the equipment-grounding conductor can result in a risk of electric shock. Check with a qualified electrician or serviceman if you are in doubt as to whether the product is properly grounded. Do not modify the plug provided with the product. If it will not fit the outlet, have a proper outlet installed by a qualified electrician.

## WARNING

Connect this exercise product to a properly grounded outlet only.

Never operate product with a damaged cord or plug even if it is working properly. Never operate any product if it appears damaged, or has been immersed in water. Contact your Local Dealer for replacement or repair.



# BASIC OPERATION



## CONGRATULATIONS ON CHOOSING YOUR ELLIPTICAL!

You've taken an important step in developing and sustaining an exercise program! Your elliptical is a tremendously effective tool for achieving your personal fitness goals. Regular use of your elliptical can improve the quality of your life in so many ways.

Here are just a few of the health benefits of exercise:

- Weight loss
- A healthier heart
- Improved muscle tone
- Increased daily energy levels

The key to reaping these benefits is to develop an exercise habit. Your new elliptical will help you eliminate obstacles that prevent you from exercising. Inclement weather and darkness won't interfere with your workout when you use your elliptical in the comfort of your home. This guide provides you with basic information for using and enjoying your new machine.



## LOCATION OF THE ELLIPTICAL

Place the elliptical on a level surface. We advice there should be clearance around your elliptical trainer (see guide). Do not place the elliptical in any area that will block any vent or air openings.

## POWER

Your elliptical is powered by a power supply. The power must be plugged into the power jack, which is located in the front of the machine near the stabilizer tube. Some ellipticals have a power switch, located next to the power jack. Make sure it is in the ON position.

NOTE: Some ellipticals have an ON/OFF switch located behind the console.

## WARNING

Never operate product if it has a damaged cord or plug, if it is not working properly, if it has been damaged, or immersed in water. Please contact our service centre for technical support, repair or new parts.

## FOOT POSITIONING

Your elliptical offers a variety of foot positions. Moving your foot to the forward most position of the foot pad increases your step height, which will create a feel similar to a step machine. Placing your foot toward the back of the foot pad decreases your step height and creates more of a gliding feel, similar to a smooth walk or run. Always make sure your entire foot is secured on the foot pad.

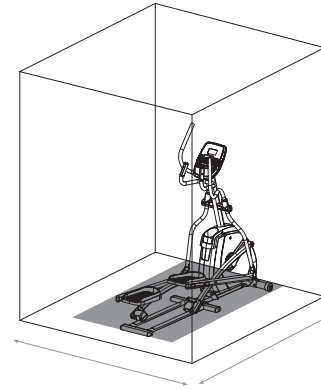
Your elliptical also allows you to pedal both forward and backwards to offer a variation to your workout and to focus on other major leg muscle groups such as your hamstrings and calves.

## WORKOUT OPTIONS



### FULL BODY WORKOUT

For a full body workout, push and pull continuously on the dual action arms while pedaling.



### TRAINING AREA

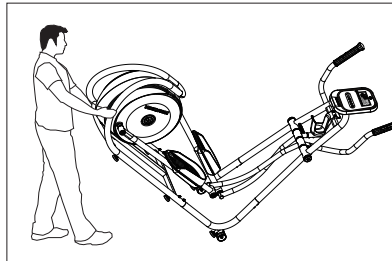
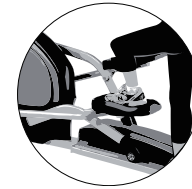
173 x 63.5 x 200 cm /  
68" x 25" x 78.7"

### FREE AREA

418 x 247.5 x 300 cm /  
164.6" x 97.4" x 118"

## MOUNTING THE ELLIPTICAL

1. Stand on the side of the elliptical next to the lowest foot pedal.
2. While holding both of the stationary handlebars, place your foot on the lowest foot pedal and pull yourself up onto the elliptical.
3. Wait until the elliptical finds its resting place and then place your other foot on the opposite pedal.



## MOVING THE ELLIPTICAL

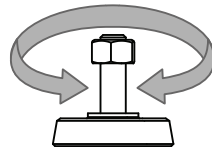
Your elliptical has a pair of transport wheels built into the front stabilizer tube. To move, first remove the power supply and firmly grasp the steel portion of the rear stabilizer bar, carefully tilt and roll. NOTE: be sure to grab the steel bar and not the plastic cover.

### **WARNING**

Our ellipticals are heavy, use care and additional help if necessary when moving. Failure to follow these instructions could result in injury.

## LEVELING THE ELLIPTICAL

Your elliptical should be leveled for optimum use. Once you have placed your elliptical where you intend to use it, raise or lower one or both of the adjustable levelers located on the bottom of the elliptical frame\*. A carpenter's level is recommended. Once you have leveled your elliptical, lock the levelers in place by tightening the nuts against the frame. \*NOTE: Some ellipticals do not have levelers.



**ADJUST  
HEIGHT**



## USING THE HEART RATE FUNCTION

Your elliptical could be equipped with either heart rate pulse grips or a thumb pulse sensor. To find out what your model has, refer to the beginning of the ASSEMBLY section of your OWNER'S MANUAL.

The heart rate function on this product is not a medical device. While heart rate grips or a thumb pulse sensor can provide a relative estimation of your actual heart rate, they should not be relied on when accurate readings are necessary. Some people, including those in a cardiac rehab program, may benefit from using an alternate heart rate monitoring system like a chest or wrist strap. Various factors, including movement of the user, may affect the accuracy of your heart rate reading. The heart rate reading is intended only as an exercise aid in determining heart rate trends in general. Please consult your physician.

**Heart rate monitoring system is only available on Andes 2.0.**

## PULSE GRIPS

Place the palm of your hands directly on the grip pulse handlebars. Both hands must grip the bars for your heart rate to register. It takes 5 consecutive heart beats (15-20 seconds) for your heart rate to register. When gripping the pulse handlebars, do not grip tightly. Holding the grips tightly may elevate your blood pressure. Keep a loose, cupping hold. You may experience an erratic readout if consistently holding the grip pulse handlebars. Make sure to clean the pulse sensors to ensure proper contact can be maintained.



### CAUTION

Do not press excessively hard on the sensor as this may cause damage.





UPPER HANDLEBAR

SPEAKERS

**WARNING**

Warning in professional use only  
and for use in equipment.  
Read the manual carefully.  
Improper use may result in serious injury or  
death. Stop exercising if you feel  
pain, dizziness or shortness of  
breath. Read Owner's Manual  
before using. Keep children off  
and away from this equipment.  
This machine is designed for  
home use only. Do not use for  
club or therapeutic purposes.

**WARNUNG**

Warnhinweis für den Profi- und  
Sportbereich.  
Lesen Sie das Handbuchs  
ganz sorgfältig durch.  
Falscher Gebrauch kann zu  
schweren Verletzungen  
oder sogar zum Tod führen.  
Beenden Sie das  
Training, wenn Sie Schmerzen  
empfinden, Schwindel oder  
Atemnot verspüren. Lassen Sie  
Kinder von diesem Gerät  
fern. Nur für den Heimgebrauch.

PULSE GRIPS

WATER BOTTLE HOLDER

PEDAL ARM

LOWER HANDLEBAR

LOWER LINK ARM

PIVOTING FOOT PADS

REAR STABILIZER

READING RACK

CONSOLE

CONSOLE MAST

TOP CAP

MAIN FRAME

CRANK

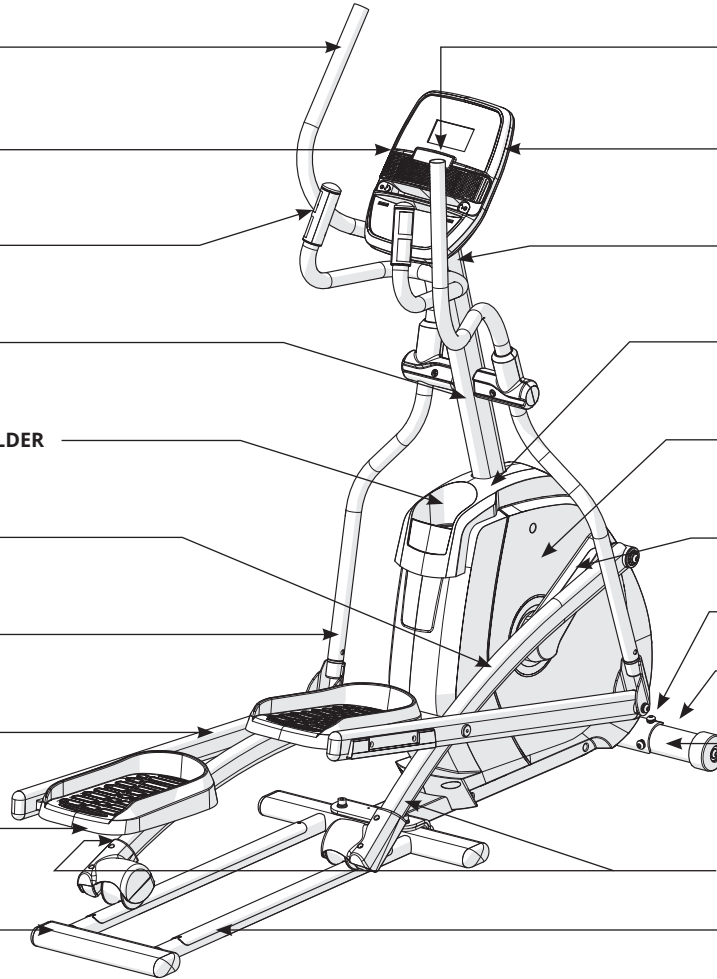
POWER CORD SOCKET



STABILIZER TUBE

**CAUTION** **ACHTUNG**  
KEEP HANDS AND FEET AWAY  
FROM THE MOVING PARTS. HALTEN SIE HÄNDE UND FÜSSE  
VON BEWEGLICHEN TEILEN FERN.

GUIDE RAIL SET





## TOOLS REQUIRED:

- 8 mm L-Wrench
- 13/17 mm Flat Wrench
- 5 mm L-Wrench/Screwdriver
- Screwdriver (not included)

## PARTS INCLUDED:

- 1 Main Frame
- 1 Stabilizer Tube
- 1 Guide Rail Set
- 1 Console Mast
- 2 Pedal Arms
- 2 Lower Handlebars
- 2 Upper Handlebars
- 2 Handlebar Cover Sets
- 2 Lower Link Arms With Footpads
- 1 Front Top Cap Piece
- 1 Rear Top Cap Piece
- 1 Console
- 1 Audio Adapter Cable
- 1 Power Cord
- 1 Hardware Kit

## PRE ASSEMBLY

### UNPACKING

Unpack the product where you will be using it. Place the elliptical carton on a level flat surface. It is recommended that you place a protective covering on your floor. Never open box when it is on its side.



### WARNING

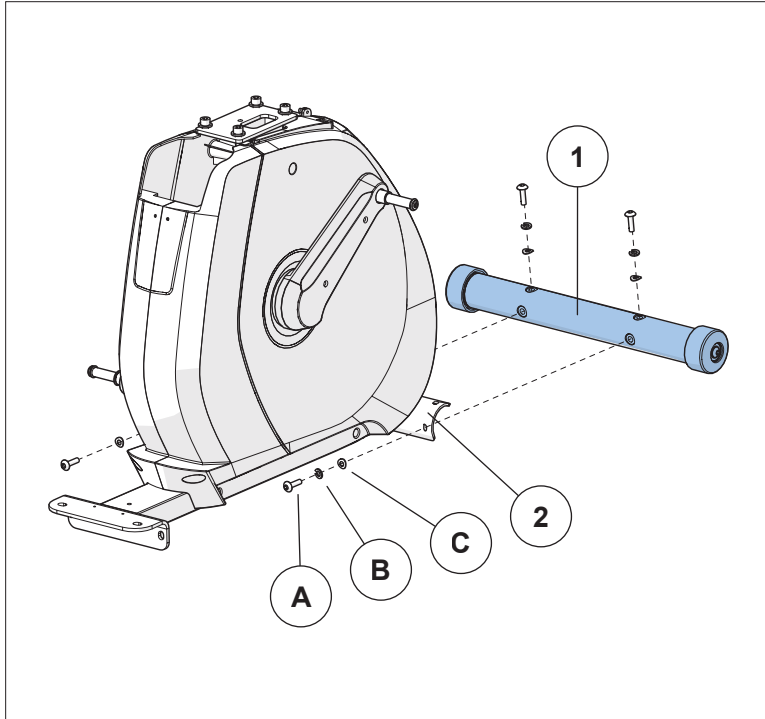
- It is recommended that two people work together for ease and efficiency while assembling an elliptical.
- During each assembly step, ensure that ALL nuts and bolts are in place and partially threaded. It is recommended you complete the full assembly of your unit before completely tightening any ONE bolt.
- Several parts have been pre-lubricated to aid in assembly and usage. Please do not wipe this off. If you have difficulty, a light application of lithium bike grease is recommended.

### NEED HELP?

If you have questions or if there are any missing parts, please refer to safety sticker on product to contact Customer Tech Support.



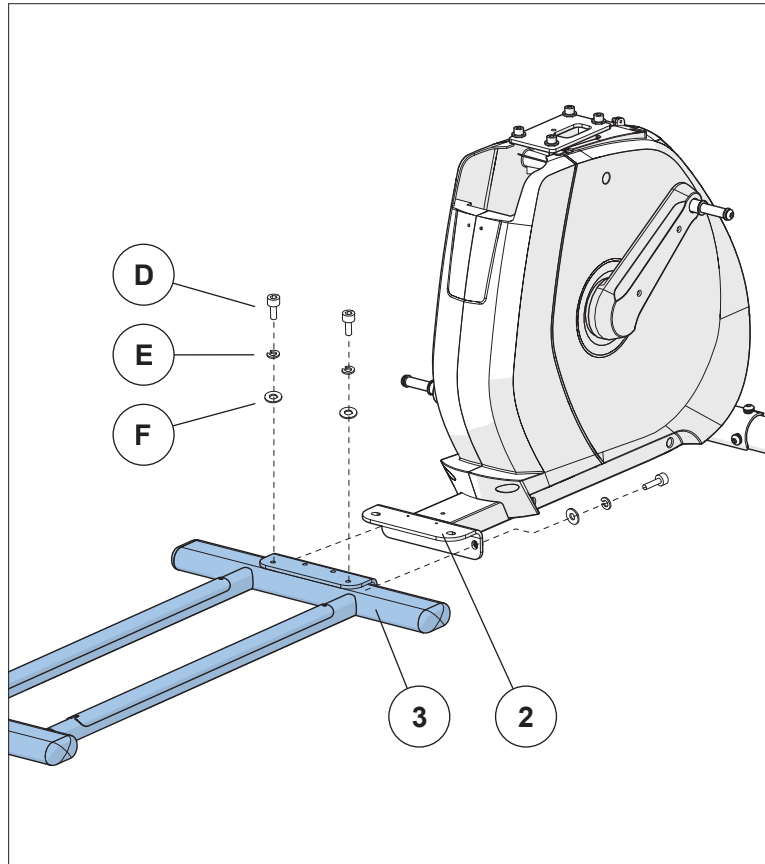
## ASSEMBLY STEP 1



HARDWARE FOR STEP 1			
PART	TYPE	DESCRIPTION	QTY
A	BUTTON HEAD BOLT	M8X1.25PX30L	4
B	SPRING WASHER	8.2X15.4X2.0T	4
C	ARC WASHER	8.4X17.0X1.0T	4

- A Open **HARDWARE FOR STEP 1**.
- B Attach the **STABILIZER TUBE (1)** to the **MAIN FRAME (2)** using 2 **BOLTS (A)**, 2 **SPRING WASHERS (B)** and 2 **ARC WASHERS (C)** on each side.

## ASSEMBLY STEP 2



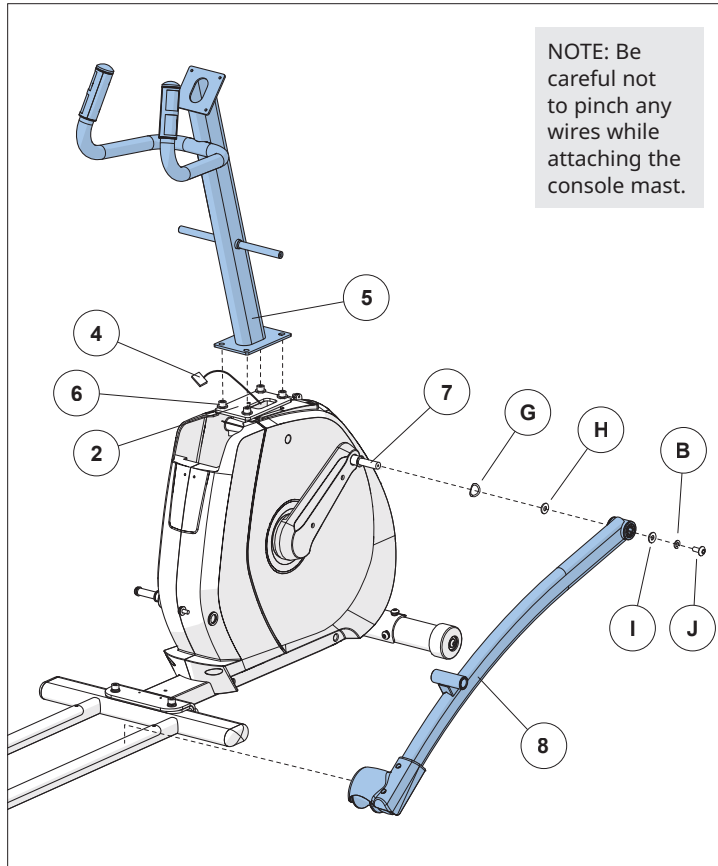
HARDWARE FOR STEP 2			
PART	TYPE	DESCRIPTION	QTY
D	SOCKET CAP BOLT	M10X1.5PX20L	4
E	SPRING WASHER	10.2X18.4X2.5T	4
F	FLAT WASHER	10.2X20.0X1.5T	4

- A Open **HARDWARE FOR STEP 2**.
- B Align **GUIDE RAIL SET (3)** with **MAIN FRAME (2)** as shown.
- C Attach the **GUIDE RAIL SET (3)** to the **MAIN FRAME (2)** using 4 **BOLTS (D)**, 4 **SPRING WASHERS (E)** and 4 **FLAT WASHERS (F)**.





## ASSEMBLY STEP 3

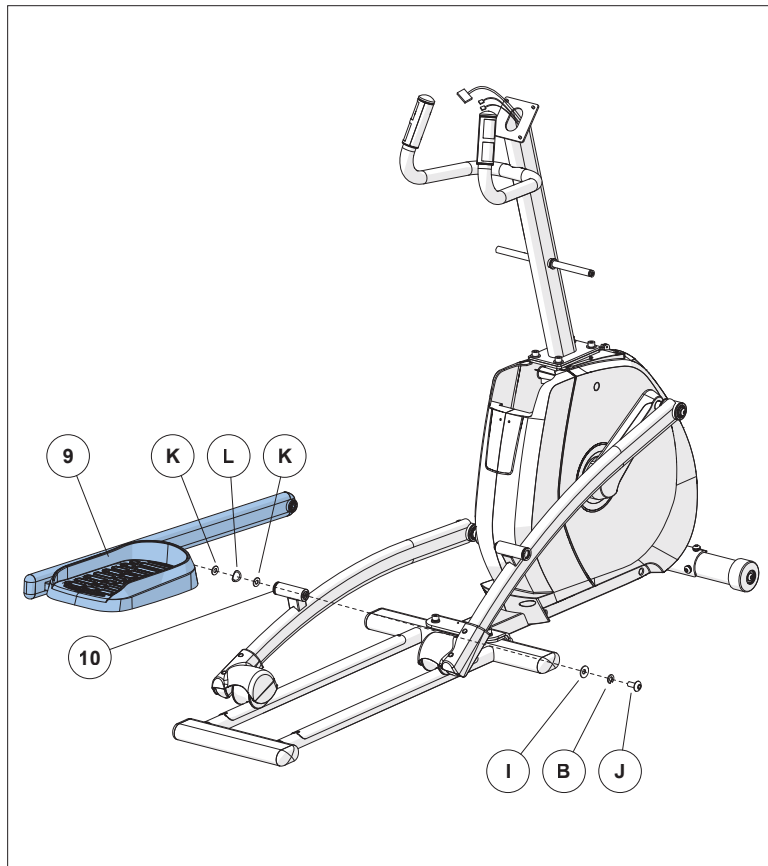


### HARDWARE FOR STEP 3

PART	TYPE	DESCRIPTION	QTY
G	WAVY WASHER	17.2X22.5X0.5T	2
H	FLAT WASHER	16.0X25.0X1.0T	2
I	FLAT WASHER	8.2X30.0X1.5T	2
B	SPRING WASHER	8.2X15.4X2.0T	2
J	BUTTON HEAD BOLT	M8X1.25PX15L	2

- A Open **HARDWARE FOR STEP 3**.
- B Remove **PRE-INSTALLED BOLTS AND WASHERS (6)** from **MAIN FRAME (2)**.
- C Carefully pull the **CONSOLE CABLE (4)** through the **CONSOLE MAST (5)** using the twist tie located inside the **CONSOLE MAST (5)**.
- D Attach **CONSOLE MAST (5)** to **MAIN FRAME (2)** using **PRE-INSTALLED BOLTS AND WASHERS (6)**.
- E Slide **WAVY WASHER (G)** and **FLAT WASHER (H)** over **CRANK (7)** followed by **PEDAL ARM (8)** as shown. Rest pedal arm wheel on guide rail.
- F Attach the **PEDAL ARM (8)** to the **CRANK (7)** using 1 **FLAT WASHER (I)**, 1 **SPRING WASHER (B)** and 1 **BOLT (J)**.
- G Repeat steps E-F on the opposite side of the elliptical.

## ASSEMBLY STEP 4



### HARDWARE FOR STEP 4

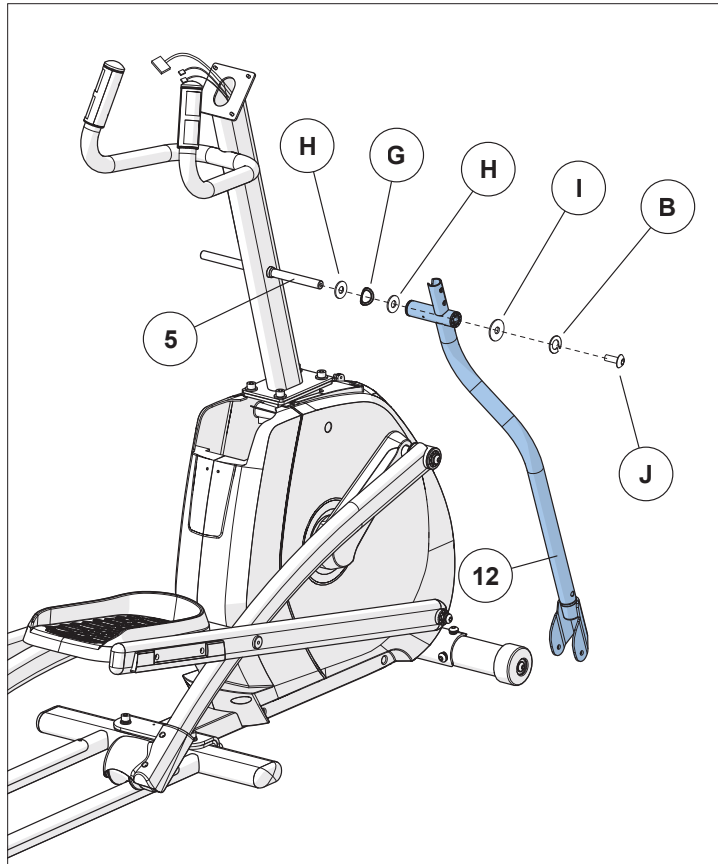
PART	TYPE	DESCRIPTION	QTY
K	FLAT WASHER	20.2X27.2X1.5T	4
L	WAVY WASHER	20.7X29.1X0.5T	2
I	FLAT WASHER	8.2X20.0X1.5T	2
B	SPRING WASHER	8.2X15.4X2.0T	2
J	BUTTON HEAD BOLT	M8X1.25PX20L	2

- A Open **HARDWARE FOR STEP 4**.
- B Slide 1 **FLAT WASHER (K)**, 1 **WAVY WASHER (L)** and another **FLAT WASHER (K)** onto the **LOWER LINK ARM (9)**.
- C Slide the **LOWER LINK ARM (9)** into the **PEDAL ARM BRACKET (10)**.
- D Attach the **LOWER LINK ARM (9)** to the **PEDAL ARM BRACKET (10)** using 1 **FLAT WASHER (I)**, 1 **SPRING WASHER (B)** and 1 **BOLT (J)**.
- E Repeat steps B–D on the opposite side of the elliptical.





## ASSEMBLY STEP 5

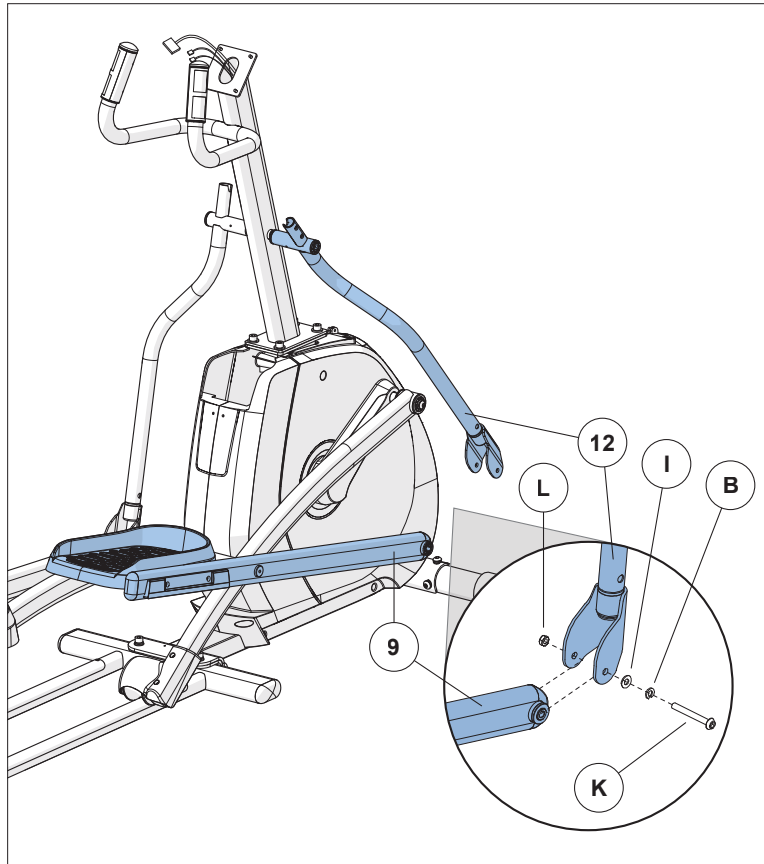


### HARDWARE FOR STEP 5

PART	TYPE	DESCRIPTION	QTY
G	WAVY WASHER	17.2X22.5X0.5T	2
H	FLAT WASHER	16.0X25.0X1.0T	4
I	FLAT WASHER	8.2X30.0X1.5T	2
B	SPRING WASHER	8.2X15.4X2.0T	2
J	BUTTON HEAD BOLT	M8X1.25PX20L	2

- A Open **HARDWARE FOR STEP 6**.
- B Slide 1 **FLAT WASHER (H)**, 1 **WAVY WASHER (G)** and 1 **FLAT WASHER (H)** onto the **CONSOLE MAST (5)**.
- C Slide **LOWER HANDLEBAR (12)** onto **CONSOLE MAST (5)** and attach using 1 **FLAT WASHER (I)**, 1 **SPRING WASHER (B)** and 1 **BOLT (J)**.
- D Repeat steps B–C on the other side.

## ASSEMBLY STEP 6



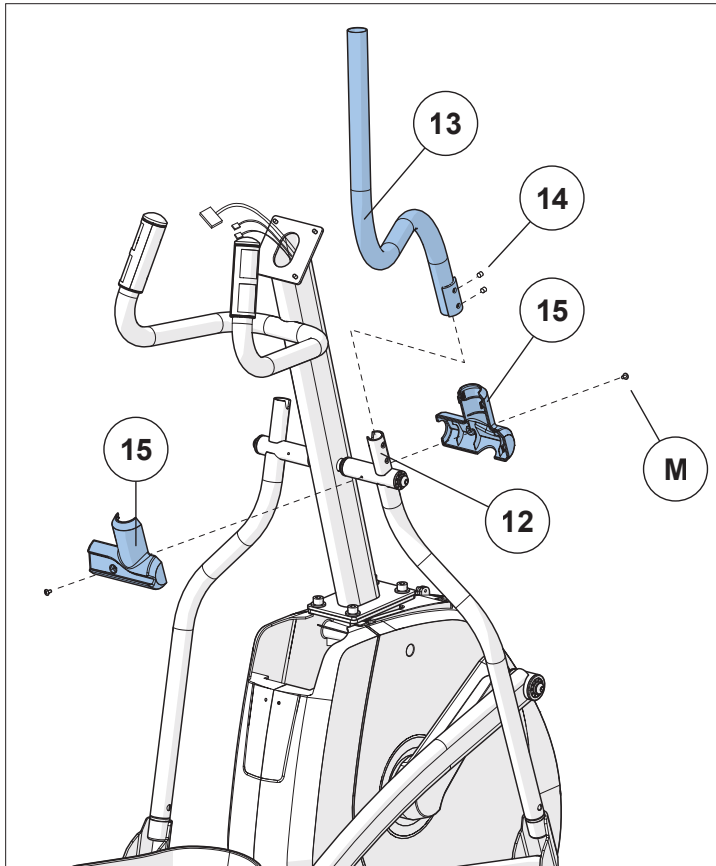
HARDWARE FOR STEP 6			
PART	TYPE	DESCRIPTION	QTY
K	BOLT	M8X1.25PX70L-12L	2
B	SPRING WASHER	8.2X15.4X2.0T	2
I	FLAT WASHER	8.2X20.0X1.5T	2
L	NUT	M8X1.25P	2



- A Open **HARDWARE BAG 6**.
- B Slide **LOWER LINK ARM (9)** into bottom end of **LOWER HANDLEBAR (12)**.
- C Secure the joint with **1 BOLT (K)**, **1 SPRING WASHER (B)**, **1 FLAT WASHER (I)** and **1 NUT (L)**.
- D Repeat steps B-C on the opposite side of the elliptical.



## ASSEMBLY STEP 7



### HARDWARE FOR STEP 7

PART	TYPE	DESCRIPTION	QTY
M	SCREW	M4X0.7PX8L	4

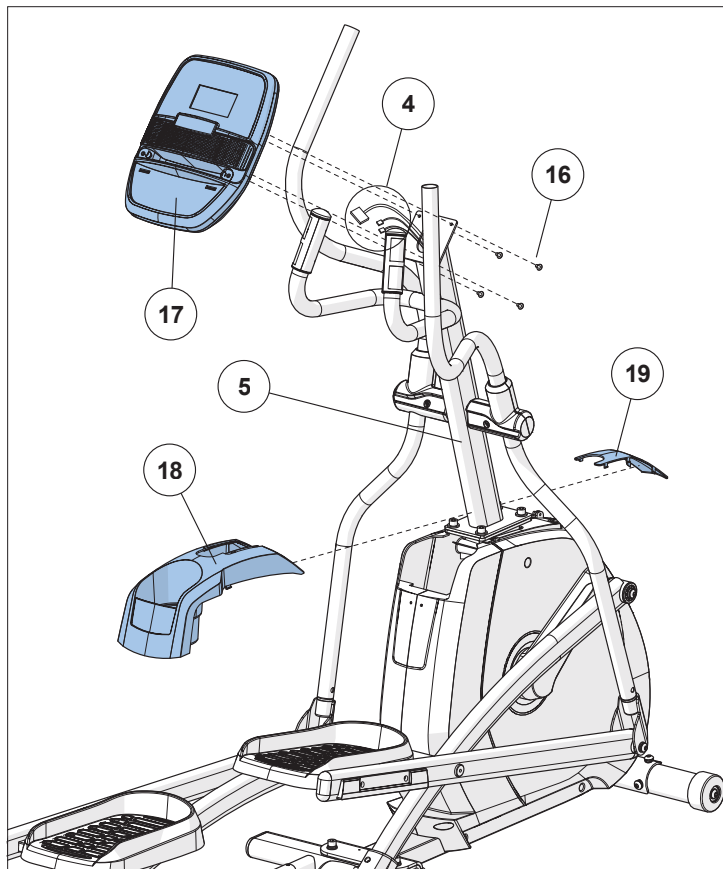
- A Open **HARDWARE BAG 7**.
- B Slide the right (R) **UPPER HANDLEBAR (13)** onto the right **LOWER HANDLEBAR (12)** making sure handlebars are joined together completely. Secure the **UPPER HANDLEBAR (13)** to the **LOWER HANDLEBAR (12)** using **PRE-ATTACHED SET SCREWS (14)**.
- C Slide right (R) **HANDLEBAR COVERS (15)** over **UPPER HANDLEBARS (13)** and attach using 1 **SCREW (M)**.

**NOTE:** Make sure upper handlebars are as far down as possible. Handlebars can be damaged if not secured correctly.

- D Repeat **STEPS B-C** on left side.



## ASSEMBLY STEP 8



NOTE: All hardware for this step is pre-installed.

- A Remove 4 **PRE-INSTALLED BOLTS (16)** from the **CONSOLE (17)**.
- B Attach the **CONSOLE CABLES (4)** to the **CONSOLE (17)**.
- C Carefully tuck the **CONSOLE CABLES (4)** into the **CONSOLE MAST (5)** before attaching the **CONSOLE (17)**. Attach **CONSOLE (17)** to **CONSOLE MAST (5)** using 4 **PRE-INSTALLED BOLTS (16)**.

**NOTE:**

Do not to pinch any wires while attaching the console.

- D Slide **FRONT TOP CAP PIECE (18)** and **REAR TOP CAP PIECE (19)** over **CONSOLE MAST (5)** and snap into place.





## ASSEMBLY STEP 9



**ASSEMBLY COMPLETE!**

Andes 2.0 / EX59

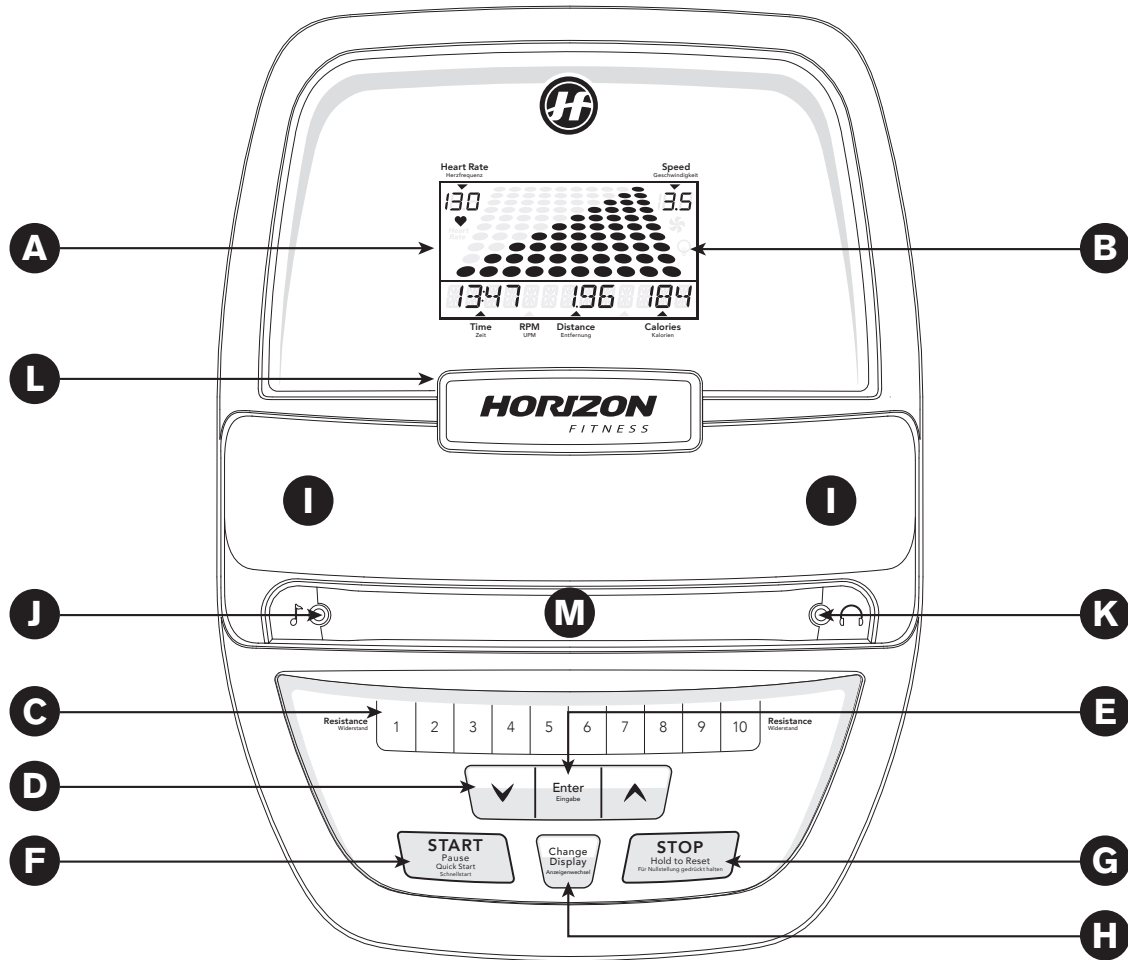
Max. User Weight: 136 kg / 300 lbs.

Overall Dimensions: 173 x 63.5 x 162.5 cm / 68" x 25" x 64"

# ELLIPTICAL OPERATION



This section explains how to use your elliptical's console and programming.  
For the BASIC OPERATION please see the ELLIPTICAL GUIDE.

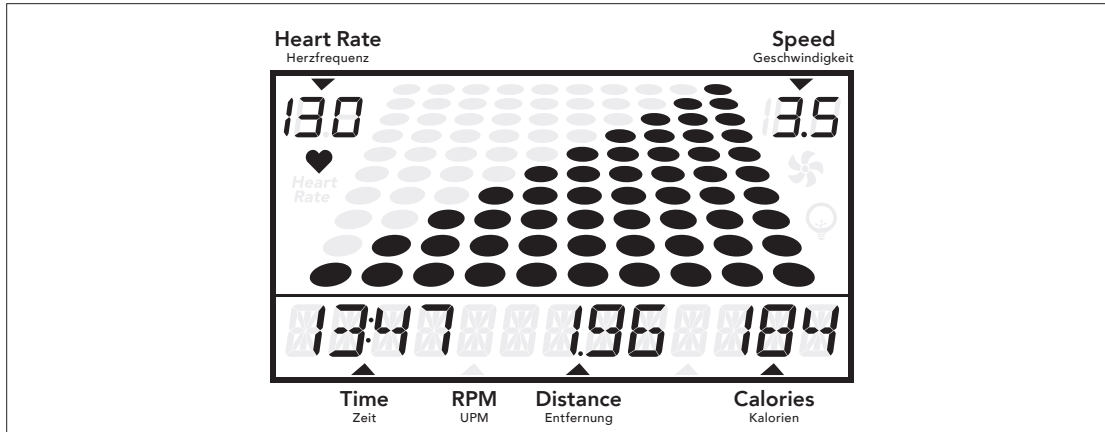


## CONSOLE OPERATION

Note: There is a thin protective sheet of clear plastic on the overlay of the console that should be removed before use.

- A) **LCD DISPLAY WINDOW:** time, RPM, distance, calories, heart rate, speed
- B) **ENERGY SAVER INDICATOR:** indicates if the machine is in energy saver mode.
- C) **QUICK KEYS:** used to reach desired resistance quickly.
- D) **▼▲ KEYS:** Used to adjust resistance level and to cycle through selections during program set up.
- E) **ENTER:** used to confirm selection.
- F) **START / PAUSE:** used to start workout, pause workout, and restart after pause.
- G) **STOP / HOLD TO RESET:** used to stop machine and also will reset machine when held down.
- H) **CHANGE DISPLAY:** used to change display feedback during workout.
- I) **SPEAKERS:** plays music through speakers when connected to your media player.
- J) **AUDIO IN JACK:** plug your media player into the console using the included audio adaptor cable.
- K) **AUDIO OUT JACK:** plug your headphones into the console to use during workout.
- L) **READING RACK:** holds reading material.
- M) **STORAGE POCKET:** holds personal items, such as a small TV remote, mobile phone or media player.





## DISPLAY WINDOW

- **BLUE BACKLIT LCD:** Andes 2.0 only
- **TIME:** Shown as minutes : seconds. View the time remaining or the time elapsed in your workout.
- **DISTANCE:** Shown as miles. Indicates distance traveled during your workout.
- **CALORIES:** Total calories burned or remaining for your workout.
- **RPM:** Revolutions Per Minute.
- **SPEED:** Shown as MPH. Indicates how fast the foot pads is moving.
- **HEART RATE:** Shown as BPM (beats per minute). Used to monitor your heart rate (displayed when contact is made with both pulse grips).
- **PROGRAM PROFILES:** Represents the profile of the program being used.
- **ENERGY SAVER:** Indicates when machine is in Energy Saver mode to conserve power consumption.

## GETTING STARTED

- 1) Check to make sure no objects are nearby that will hinder the movement of the elliptical.
- 2) Plug in the power cord to power the elliptical ON. (Switch is located at the bottom-front of the elliptical.)
- 3) Set User Weight using ▼▲ and press ENTER.
- 4) You have the following options to start your workout:

### A) QUICK START UP

Simply press GO to begin working out.  
Time, distance and calories will all count up from zero.  
The resistance level will default to level 1.

### B) SELECT A PROGRAM

- 1) Use ▼▲ to scroll through programs
- 2) Press ENTER to select your desired program.
- 3) Set workout level using ▼▲ and press ENTER.
- 4) Press START to begin workout.

NOTE: You can adjust the resistance level during your workout.

## FINISHING YOUR WORKOUT

When your workout is complete, the console will display “workout complete” and beep. Your workout information will stay displayed on the console for 30 seconds and then reset.



## TO RESET THE CONSOLE

Hold STOP key for 3 seconds.

## TO CLEAR CURRENT SELECTION

To clear the current program selection or screen, hold the stop button for 3 seconds.



## PROGRAM INFORMATION

**MANUAL:** Adjust your resistance level manually during your workout.

**WEIGHT LOSS:** Promotes weight loss by raising and lowering the resistance level, while keeping you in your fat burning zone. Time based program with 10 levels to choose from.

**WEIGHT LOSS PLUS:** Promotes weight loss by raising and lowering the resistance level, while keeping you in your fat burning zone. Time based program with 5 levels to choose from and greater intensity than the weight loss program.

**INTERVALS:** Improves your strength, speed and endurance by raising and lowering the resistance levels through-out your workout to involve both your heart and muscles. Time based program with 10 levels to choose from.

**INTERVALS PLUS:** Improves your strength, speed and endurance by raising and lowering the resistance levels through-out your workout to involve both your heart and muscles. Time based program with 5 levels to choose from and greater intensity than the intervals program.

**ROLLING:** Mimics the feeling of moving up and down hills by gradually increasing and decreasing the resistance. Time based program with 7 levels to choose from.

**REVERSE TRAIN:** Program cues you to pedal forward (F) and backwards (R) for an exciting and challenging workout.

**RANDOM:** Provides even more workout variety by mixing up your resistance levels. Time based program with 7 levels to choose from.

**CALORIE GOAL:** Allows you to set the number of calories you would like to burn. Calorie goal can range from 100-999 calories. Calories will count down. User inputs weight and sets starting resistance. Calories burned are calculated using weight input with the speed of the workout.



## USING YOUR MEDIA PLAYER



- 1) Connect the included AUDIO ADAPTOR CABLE to the AUDIO IN JACK on the left of the console and the headphone jack on your media player.
- 2) Use your media player buttons to adjust song settings.
- 3) Remove the AUDIO ADAPTOR CABLE when not in use.



## ENERGY SAVER (STANDBY MODE)

This machine has a special feature called Energy Saver™ mode. This mode is NOT automatically activated. When Energy Saver mode is activated, the display will automatically enter standby mode (Energy Saver mode) after 15 minutes of inactivity. This feature saves energy by disabling most power to the machine until a key is pressed on the console. This feature can be turned on or off in the engineering menu.

To enter the engineering menu, press and hold the **▲** key and **▼** key for 3-5 seconds. Use the **▼▲** keys to navigate through the menu to ENG 2. Press **ENTER** to select. Use **▼▲** keys to select ENRGY SVE ON or OFF. Press and hold **STOP** for 3-5 seconds to exit ENG 2. Press and hold **STOP** again for 3-5 seconds to exit the engineering menu.

**Eng: Waste Disposal**

VISION Fitness / HORIZON Fitness / TEMPO Fitness / TREO Fitness products are recyclable. At the end of its useful life please dispose of this article correctly and safely (local refuse sites).

**Ger: Entsorgungshinweis**

Die Produkte VISION Fitness/HORIZON Fitness/TEMPO Fitness/TREO Fitness sind recycelbar. Führen Sie das Gerät am Ende der Nutzungsdauer einer sachgerechten Entsorgung zu (örtliche Sammelstelle).

**Dut: Verwijderingsaanwijzing**

VISION Fitness / HORIZON Fitness / TEMPO Fitness / TREO Fitness producten zijn recyclebaar. Breng het apparaat aan het einde van de gebruiksduur naar een in recycling gespecialiseerd bedrijf (plaatselijk verzamelpunt).

**Fre: Remarque relative à la gestion des déchets**

Les produits VISION Fitness / HORIZON Fitness / TEMPO Fitness / TREO Fitness sont recyclables. Lorsque cet appareil arrive en fin de vie, veuillez l'éliminer de manière correcte et en toute sécurité en le déposant dans une déchetterie communale.

**Ita: Indicazione sullo smaltimento**

I prodotti VISION Fitness / HORIZON Fitness / TEMPO Fitness / TREO Fitness sono riciclabili. Quando l'apparecchio non servirà più, portarlo in un apposito punto di raccolta della propria città (punti di raccolta comunali).

**Spe: Gestión de residuos**

Los productos de VISION Fitness / HORIZON Fitness / TEMPO Fitness / TREO Fitness son reciclables. Cuando se termine su vida útil, por favor deshágase de este artículo de forma correcta y segura en un punto limpio.

**Prb: Descarte**

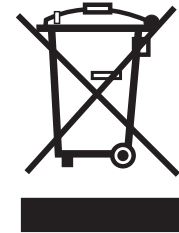
Os produtos VISION Fitness / HORIZON Fitness / TEMPO Fitness / TREO Fitness são recicláveis. No final de sua vida útil, descarte este equipamento corretamente e com segurança (sites de locais de lixo).

**ChT: 廢棄物處理**

VISION Fitness / HORIZON Fitness / TEMPO Fitness / TREO Fitness 產品為可回收產品。產品的使用年限期滿後，請依照正確且安全的方式處理本廢棄商品（當地的廢棄場）。

**ChS: 废弃物处理**

VISION Fitness / HORIZON Fitness / TEMPO Fitness / TREO Fitness 产品是可回收利用的。在其使用期结束后，请正确安全地（在本地垃圾处理场）处理本品。



# WICHTIGE SICHERHEITSHINWEISE



## BEWAHREN SIE DIE ANLEITUNGEN AUF

Lesen Sie dieses ELLIPTICAL TRAINER-HANDBUCH, bevor Sie das BENUTZERHANDBUCH verwenden. Beim Gebrauch eines elektronischen Produkts sollten die folgenden grundlegenden Sicherheitshinweise unbedingt beachtet werden: Lesen Sie alle Anleitungen, bevor Sie diesen Elliptical Trainer benutzen. Der Besitzer ist dafür verantwortlich, dass alle Benutzer dieses Elliptical Trainers über alle Warn- und Sicherheitshinweise hinreichend informiert sind.



## **WARNUNG**

### **SO REDUZIEREN SIE DAS RISIKO VON VERBRENNUNGEN, FEUER, ELEKTRISCHEN SCHLÄGEN UND VERLETZUNGEN AN PERSONEN:**

- Sollten während des Trainings Schmerzen jeglicher Art, etwa Brustschmerzen, Übelkeit, Schwindel oder Atemlosigkeit, auftreten, beenden Sie sofort das Training und suchen Sie einen Arzt auf, bevor Sie das Training fortsetzen.
- Trainieren Sie stets in einem für Sie angenehmen Tempo. Sprinten Sie nicht mit einer Geschwindigkeit von über 80 U/min auf diesem Gerät. Falsches oder übermäßiges Training kann die Gesundheit beeinträchtigen.
- Um das Gleichgewicht zu halten, ist es sinnvoll, sich beim Training, Aufbau oder Abbau, an den Griffen festzuhalten.
- Versetzen Sie die Pedalarms nicht mit den Händen in Bewegung.
- Stellen Sie vor jedem Gebrauch sicher, dass die Handgriffe sicher installiert sind.
- Halten Sie die Oberfläche der Fußauflagen sauber und trocken.
- Montage und Demontage des Geräts müssen mit Vorsicht durchgeführt werden. Bringen Sie das Fußpedal vor Montage- oder Demontearbeiten auf der Seite der Arbeiten auf die niedrigste Position und halten Sie das Gerät vollständig an.
- Tragen Sie keine Kleidung, die sich an Ihrem Elliptical Trainer verfängen könnte.
- Tragen Sie stets Sportschuhe bei der Verwendung des Geräts.
- Springen Sie nicht auf den Elliptical Trainer.
- Der Elliptical Trainer darf immer nur von jeweils einer Person verwendet werden.
- Dieser Elliptical Trainer ist nur für den Heimgebrauch gedacht. Setzen Sie den Elliptical Trainer nicht für kommerzielle Zwecke, zur Vermietung, in Schulen oder anderen Einrichtungen ein. Bei Zuwiderhandlung verfällt die Garantie.
- Verwenden Sie den Elliptical Trainer in keiner Umgebung ohne Temperaturregulierung, etwa in Garagen, Vorbauten, Pool-Anlagen, Badezimmern, Autostellplätzen oder im Freien. Bei Zuwiderhandlung verfällt die Garantie.
- Dieser Elliptical Trainer entspricht EN957-1/9, Ellipsen-Trainer der Klasse: HB; das Bremssystem ist einstellbar.
- Zur Vermeidung von Stromschlägen dürfen keine Gegenstände in Öffnungen am Gerät eingeworfen oder eingeführt werden.
- Halten Sie das Netzkabel von aufgeheizten Oberflächen fern. Tragen Sie das Gerät nicht am Netzkabel bzw. verwenden Sie das Kabel nicht als Griff.
- Trennen Sie das Gerät von der Stromversorgung, bevor Sie es warten oder umstellen. Reinigen Sie das Gerät mit einem leicht angefeuchteten Tuch und milder Seife. Verwenden Sie niemals Lösungsmittel. (Siehe „WARTUNG“.)
- Verwenden Sie keine Anbauteile oder -geräte, die nicht vom Hersteller empfohlen sind. Anbauteile können zu Verletzungen führen.
- Nehmen Sie das Gerät nicht an Orten in Betrieb, an denen Aerosolprodukte (Spray) verwendet werden oder Sauerstoff verabreicht wird.
- Verwenden Sie den Elliptical Trainer nur wie im Elliptical Trainer- und Benutzerhandbuch beschrieben.
- Stellen Sie das Gerät auf einem stabilen Untergrund auf.



Kinder unter 13 Jahren sollten UNBEDINGT einen Abstand von mindestens drei Metern zum Elliptical Trainer einhalten. Kinder unter 13 Jahren sollten den Elliptical Trainer NICHT verwenden. Jugendliche über 13 oder behinderte Personen sollten den Elliptical Trainer nur unter Beaufsichtigung einer erwachsenen Person verwenden.



Der Elliptical Trainer darf nur im klimatisierten Innenbereich verwendet werden. Wurde Ihr Elliptical Trainer niedrigen Temperaturen oder hoher Luftfeuchtigkeit ausgesetzt, sollte er vor dem ersten Gebrauch unbedingt auf Raumtemperatur erwärmt werden. Werden diese Hinweise nicht beachtet, kann es zu einer elektronischen Fehlfunktion kommen.

## HINWEISE ZUR ERDUNG

Im Falle einer Fehlfunktion oder eines Ausfalls eines Elliptical Trainers bietet die Erdung dem elektrischen Strom den Weg des geringsten Widerstands, was das Risiko eines Stromschlags verringert. Dieses Produkt ist mit einem Kabel ausgestattet, das über einen Geräteschutzleiter und einen Erdungsstecker verfügt. Der Netzstecker muss in eine geeignete Steckdose gesteckt werden, die entsprechend den örtlichen Vorschriften und Verordnungen installiert und geerdet ist.

Ein unsachgemäßer Anschluss des Geräteschutzleiters kann zu einem Stromschlag führen. Wenden Sie sich an einen qualifizierten Elektriker oder Servicetechniker, wenn Sie Zweifel haben, ob das Gerät ordnungsgemäß geerdet ist. Nehmen Sie keine Änderungen am mitgelieferten Netzstecker vor. Passt dieser nicht in Ihre Steckdose, lassen Sie eine geeignete Steckdose von einem qualifizierten Elektriker installieren.

### **WARNUNG**

Schließen Sie das Trainingsgerät nur an eine ordnungsgemäß geerdete Steckdose an.

Betreiben Sie das Gerät niemals mit einem beschädigten Kabel oder Stecker, auch wenn es normal funktioniert. Betreiben Sie niemals ein Gerät, das beschädigt zu sein scheint oder in Wasser getaucht worden ist. Wenden Sie sich für Ersatz oder Reparatur an Ihren lokalen Händler.



# BASISBETRIEB



## HERZLICHEN GLÜCKWUNSCH ZUR WAHL IHRES ELLIPTICAL TRAINERS!

Sie haben einen wichtigen Schritt unternommen, um ein nachhaltiges Trainingsprogramm aufzubauen. Ihr Elliptical Trainer ist ein äußerst effektives Mittel, um Ihre persönlichen Fitnessziele zu erreichen. Der regelmäßige Gebrauch Ihres Elliptical Trainers kann Ihre Lebensqualität in vielerlei Hinsicht verbessern.

Hier sind nur einige der gesundheitlichen Vorteile von Bewegung:

- Gewichtsabnahme
- Ein gesünderes Herz
- Verbessertes Muskeltonus
- Erhöhtes Energieniveau im Alltag

Der Schlüssel zur Nutzung dieser Vorteile ist die Entwicklung einer Trainingsgewohnheit. Ihr neuer Elliptical Trainer hilft Ihnen Hindernisse zu überwinden, die Sie vom Training abhalten. Schlechtes Wetter und Dunkelheit werden Ihr Training nicht stören, wenn Sie Ihren Elliptical Trainer zu Hause benutzen. Dieses Handbuch bietet Ihnen grundlegende Informationen für die Nutzung und den Genuss Ihres neuen Geräts.



## STANDORT DES ELLIPTICAL TRAINERS

Stellen Sie den Elliptical Trainer auf einer ebenen Oberfläche auf. Wir empfehlen Ihnen, um Ihren Elliptical Trainer herum ausreichend Platz zu lassen (siehe Handbuch). Platzieren Sie den Elliptical Trainer so, dass keine Öffnungen am Gerät blockiert werden.

## STROMVERSORGUNG

Ihr Elliptical Trainer wird durch ein Netzteil mit Strom versorgt. Das Netzkabel muss in die Netzbuchse eingesteckt werden, die sich an der Vorderseite des Geräts in der Nähe des Standfußes befindet. Einige Elliptical Trainer haben einen Netzschalter, der sich neben der Netzbuchse befindet. Achten Sie darauf, dass er sich in der EIN-Position befindet. HINWEIS: Einige Elliptical Trainer haben einen EIN/AUS-Schalter hinter der Konsole.

## ! WARNUNG

Verwenden Sie das Gerät nicht, wenn Kabel oder Stecker beschädigt sind, es nicht ordnungsgemäß funktioniert, beschädigt oder in Wasser getaucht worden ist. Kontaktieren Sie unser Servicezentrum für technische Unterstützung, Reparaturen oder Ersatzteile.

## FUSSPOSITIONIERUNG

Ihr Elliptical Trainer bietet eine Vielzahl von Fußpositionen. Wenn Sie Ihren Fuß in die vorderste Position der Trittpläche bringen, erhöht sich Ihre Schritthöhe, was ein ähnliches Gefühl wie bei einem Stepper erzeugt. Wenn Sie Ihren Fuß in die hinterste Position der Trittpläche bringen, verringert sich die Schritthöhe und es entsteht ein ähnliches Gefühl wie beim Gehen oder Laufen. Achten Sie immer darauf, dass Ihr gesamter Fuß sicher auf der Trittpläche steht.

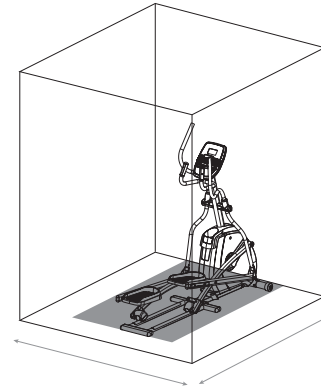
Ihr Elliptical Trainer ermöglicht es Ihnen, sowohl vorwärts als auch rückwärts zu treten, damit Sie Ihr Training abwechslungsreich gestalten und sich auf andere wichtige Beinmuskulgruppen wie Ihre Oberschenkel und Waden konzentrieren können.

## TRAININGSOPTIONEN



### WORKOUT FÜR DEN GESAMTEN KÖRPER

Für ein Ganzkörpertraining drücken und ziehen Sie kontinuierlich an den Dual-Action-Armen, während Sie in die Pedale treten.



### TRAININGSFLÄCHE

173 x 63,5 x 200 cm

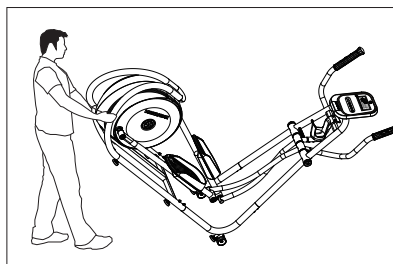
### FREIER BEREICH

418 x 247,5 x 300 cm



## AUFSTEIGEN AUF DEN ELLIPTICAL TRAINER

1. Stellen Sie sich auf die Seite des Elliptical Trainers mit der niedrigeren Trittpläche.
2. Halten Sie sich an den fixierten Handgriffen fest, setzen Sie einen Fuß auf die niedrigere Trittpläche und steigen Sie auf den Elliptical Trainer.
3. Warten Sie, bis sich der Elliptical Trainer eingependelt hat und setzen Sie dann den anderen Fuß auf die



## UMSTELLEN DES ELLIPTICAL TRAINERS

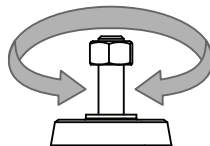
Ihr Elliptical Trainer ist am vorderen Standfuß mit einem Paar Transportrollen ausgestattet. Um das Gerät umzustellen, trennen Sie zunächst die Stromversorgung. Heben Sie es im Stahlbereich des hinteren Standfußes an und rollen Sie es vorsichtig weg. HINWEIS: Stellen Sie sicher, dass Sie das Gerät am Stahlrahmen festhalten und nicht an der Kunststoffabdeckung.

### **WARNUNG**

Da unsere Elliptical Trainer schwer sind, gehen Sie umsichtig vor und holen Sie sich Unterstützung, wenn Sie das Gerät umstellen. Befolgen Sie diese Anweisungen, um Verletzungen zu vermeiden.

## NIVELLIERUNG DES ELLIPTICAL TRAINERS

Der Elliptical Trainer sollte für den optimalen Gebrauch eben aufgestellt werden. Nachdem Sie den Elliptical Trainer am gewünschten Ort aufgestellt haben, stellen Sie die Fläche der Plattform mithilfe von einer oder beiden verstellbaren Nivellierhilfen unten am Rahmen des Geräts ein\*. Verwenden Sie hierzu am besten eine Wasserwaage. Wenn Sie Ihren Elliptical Trainer eben eingestellt haben, fixieren Sie die Nivellierhilfen, indem Sie die Muttern am Rahmen festziehen. \*HINWEIS: Einige Elliptical Trainer haben keine Nivellierhilfen.



**EINSTELLEN  
HÖHE**



## VERWENDUNG DER HERZFREQUENZFUNKTION

Ihr Ellipsentrainer ist entweder mit Pulsgriffen oder einem Daumenpulssensor ausgestattet. Um die Ausstattung Ihres Modells zu ermitteln, lesen Sie den Anfang des Abschnitts AUFBAU Ihres BENUTZERHANDBUCHS.

Die Herzfrequenzmessung dieses Produkts ist keine medizinische Funktion. Herzfrequenzmesser oder ein Daumenpulssensor an den Griffen erlauben zwar eine relative Abschätzung der tatsächlichen Herzfrequenz, sollten aber nicht als zuverlässig angesehen werden, wenn exakte Messwerte erforderlich sind. Einige Menschen, z. B. Teilnehmer eines Cardio-Reha-Programms, sollten ein zusätzliches Herzfrequenzüberwachungssystem wie einen Brust- oder Handgelenkgurt nutzen. Verschiedene Faktoren, unter anderem die Bewegung des Anwenders, können die Genauigkeit der Herzfrequenzmessung beeinflussen. Die Herzfrequenzmessung ist nur als Unterstützung beim Training und zum Ermitteln von allgemeinen Herzfrequenztrends gedacht. Bitte wenden Sie sich bei Fragen an Ihren Arzt.

**Ein Herzfrequenzüberwachungssystem ist nur für das Andes 2.0 verfügbar.**

## PULSGRIFFE

Legen Sie die Handinnenflächen direkt auf die Pulsgriffe. Beide Hände müssen die Griffe umfassen, damit die Herzfrequenz gemessen werden kann. Nach fünf aufeinanderfolgenden Herzschlägen (15-20 Sekunden) wird Ihre Herzfrequenz erfasst. Beim Festhalten an den Pulsgriffen nicht zu fest greifen. Wenn Sie die Griffe besonders fest halten, kann sich Ihr Blutdruck erhöhen. Umschließen Sie die Griffe vollständig aber locker. Es kann zu schwankenden Anzeigewerten kommen, wenn Sie den Lenker über längere Zeit halten. Halten Sie die Pulssensoren sauber, damit der Kontakt gewährleistet bleibt.

## ACHTUNG

Drücken Sie nicht übermäßig stark auf den Sensor, da dies zu Schäden führen kann.





OBERE HALTESTANGE

LESEHALTERUNG

LAUTSPRECHER

KONSOLE

**WARNING**

Warning in professional fitness centers and sports facilities. Read the manual before use. Improper use of the equipment is considered dangerous. The manufacturer is not responsible for any damage or injury caused by the use of the equipment. The manufacturer is not responsible for any damage or injury caused by the use of the equipment. The manufacturer is not responsible for any damage or injury caused by the use of the equipment.

**WARNUNG**

Warnung in professionellen Fitnessstudios und Sportstätten. Lesen Sie das Handbuch vor der Verwendung. Die Verwendung von Sportgeräten ist als gefährlich angesehen. Der Hersteller ist nicht für Schäden oder Verletzungen verantwortlich, die durch die Verwendung von Sportgeräten entstehen. Der Hersteller ist nicht für Schäden oder Verletzungen verantwortlich, die durch die Verwendung von Sportgeräten entstehen.

PULSGRIFFE

KONSOLENMAST

STANGENAUFSATZ

FLASCHENHALTER

HAUPTRAHMEN

PEDALARM

KURBEL

NETZKABELANSCHLUSS

UNTERE HALTESTANGE

STANDFUSS

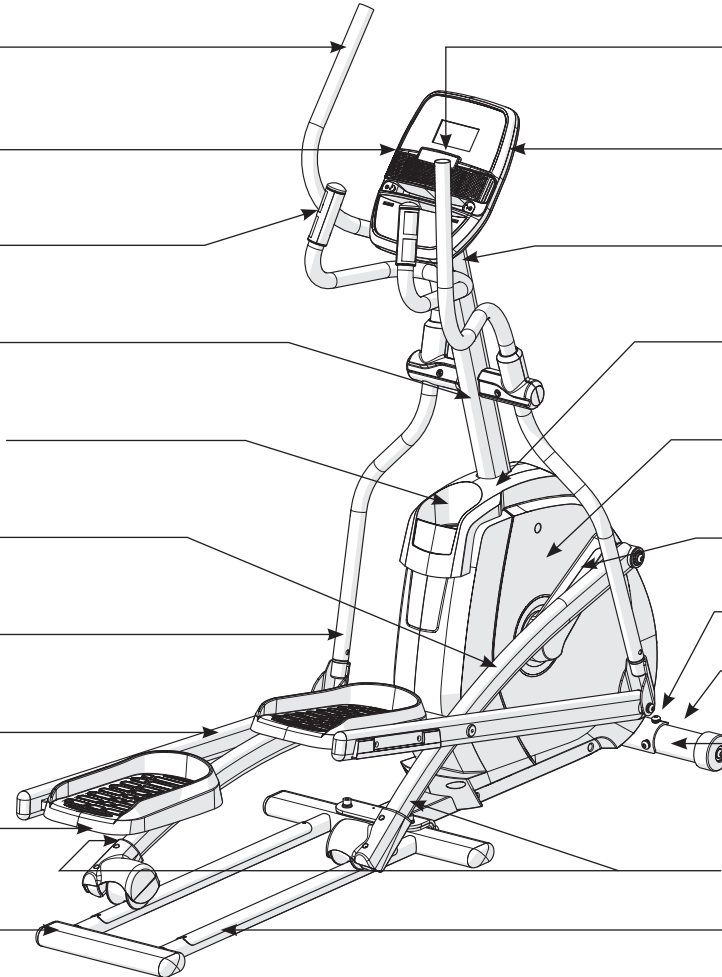
UNTERER VERBINDUNGSARM

DREHBARE TRITTFLÄCHEN

**CAUTION** KEEP HANDS AND FEET AWAY FROM THE MOVING PARTS. **ACHTUNG** HALTEN SIE HÄNDE UND FÜSSE VON BEWEGLICHEN TEILEN FERN.

STANDFUSS HINTEN

FÜHRUNGSHIENENSET



## ERFORDERLICHE WERKZEUGE:

- 8 mm L-Schraubenschlüssel
- 13/17 mm Gabelschlüssel
- 5 mm L-Schraubenschlüssel/  
Kreuzschlitzschraubendreher
- Kreuzschlitzschraubendreher  
(nicht enthalten)

## IM LIEFERUMFANG ENTHALTENE TEILE:

- 1 Hauptrahmen
- 1 Standfuß
- 1 Führungsschienenset
- 1 Konsolenmast
- 2 Pedalarme
- 2 untere Haltestangen
- 2 obere Haltestangen
- 2 Haltestangenabdeckungen
- 2 untere Verbindungsarme mit  
Trittflächen
- 1 Stangenaufsatz vorne oben
- 1 Stangenaufsatz hinten oben
- 1 Konsole
- 1 Audioadapterkabel
- 1 Netzkabel
- 1 Gerätesatz

## VOR DEM AUFBAU

### AUSPACKEN

Packen Sie das Produkt an der Stelle aus, an der Sie es aufstellen möchten. Stellen Sie den Karton mit dem Elliptical Trainer auf eine ebene Fläche. Es empfiehlt sich, den Boden mit einer Schutzfolie auszulegen. Öffnen Sie den Karton nicht, wenn er auf der Seite liegt.

### WARNUNG

- Es wird empfohlen, dass zwei Personen zusammen arbeiten, um die Montage eines Elliptical Trainers zu erleichtern und effizient zu gestalten.
- Stellen Sie bei jedem Aufbauschnitt sicher, dass ALLE Schrauben und Muttern eingesetzt sind und ein Gewinde besitzen. Es wird empfohlen, den kompletten Aufbau des Geräts abzuschließen, bevor Sie irgendeine Schraube festziehen.
- Einige Komponenten wurden für einen leichteren Aufbau und Gebrauch werksseitig vorgeschmiert. Entfernen Sie das Fett bitte nicht. Sollten Schwierigkeiten auftreten, empfiehlt sich die Anwendung von etwas Lithium-Fahrradfett.

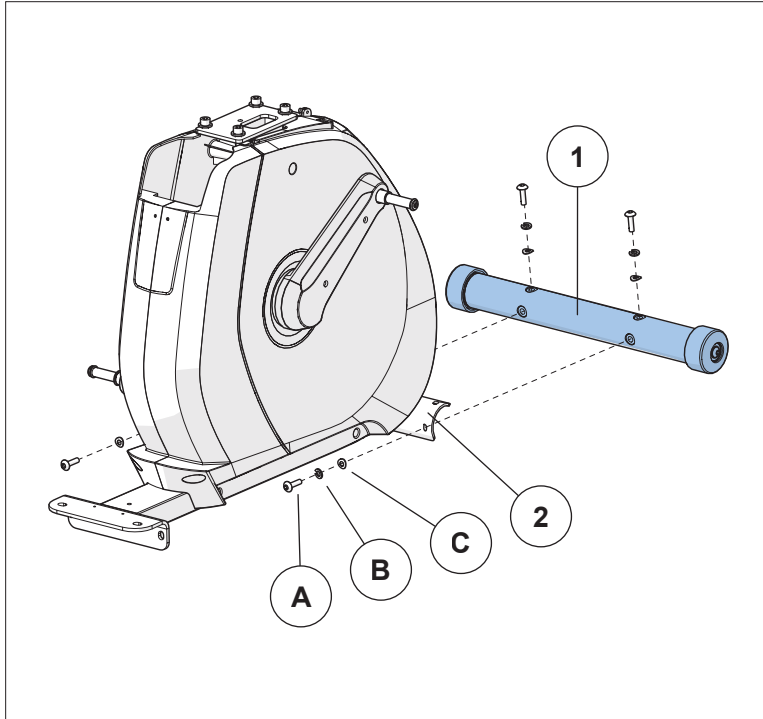
### BENÖTIGEN SIE UNTERSTÜTZUNG?

Falls Sie Fragen haben oder Teile fehlen, beachten Sie den Sicherheitsaufkleber auf dem Produkt, um den technischen Kundendienst zu kontaktieren.





## AUFBAUSCHRITT 1

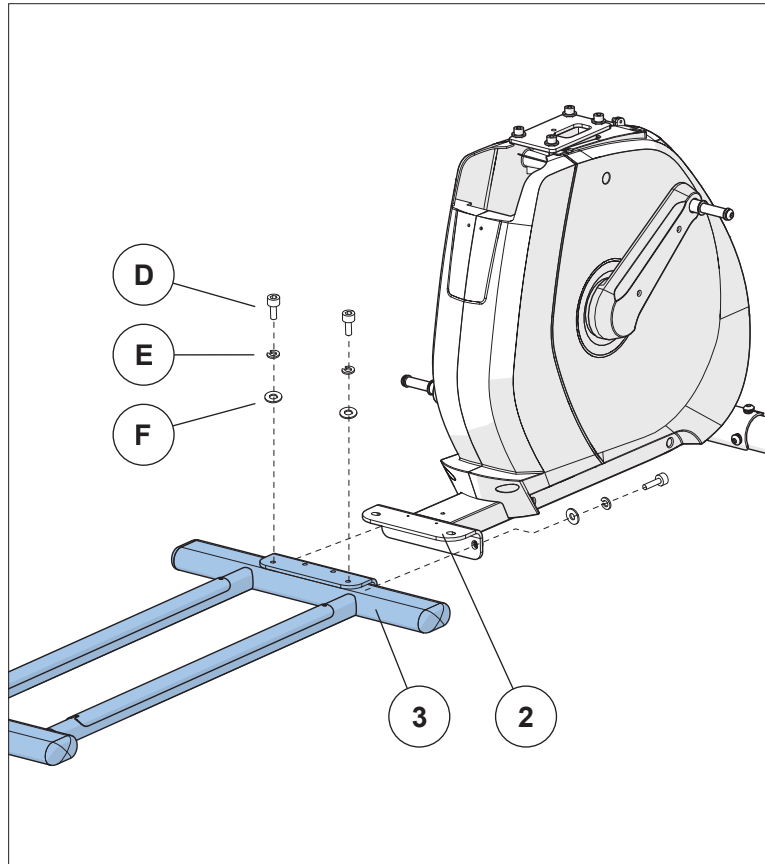


### HARDWARE FÜR SCHRITT 1

EINZELTEILE	TYP	BESCHREIBUNG	MENGE
A	KOPFSCHRAUBE	M8X1.25PX30L	4
B	FEDERSCHEIBE	8.2X15.4X2.0T	4
C	UNTERLEGSCHLEIBE (GEBOGEN)	8.4X17.0X1.0T	4

- A Öffnen Sie die **HARDWARE FÜR SCHRITT 1**.
- B Befestigen Sie den **STANDFUß (1)** am **HAUPTRAHMEN (2)** mit 2 **SCHRAUBEN (A)**, 2 **FEDERSCHREIBEN (B)** und 2 **UNTERLEGSCHLEIBEN (GEBOGEN) (C)** auf jeder Seite.

## AUFBAUSCHRITT 2



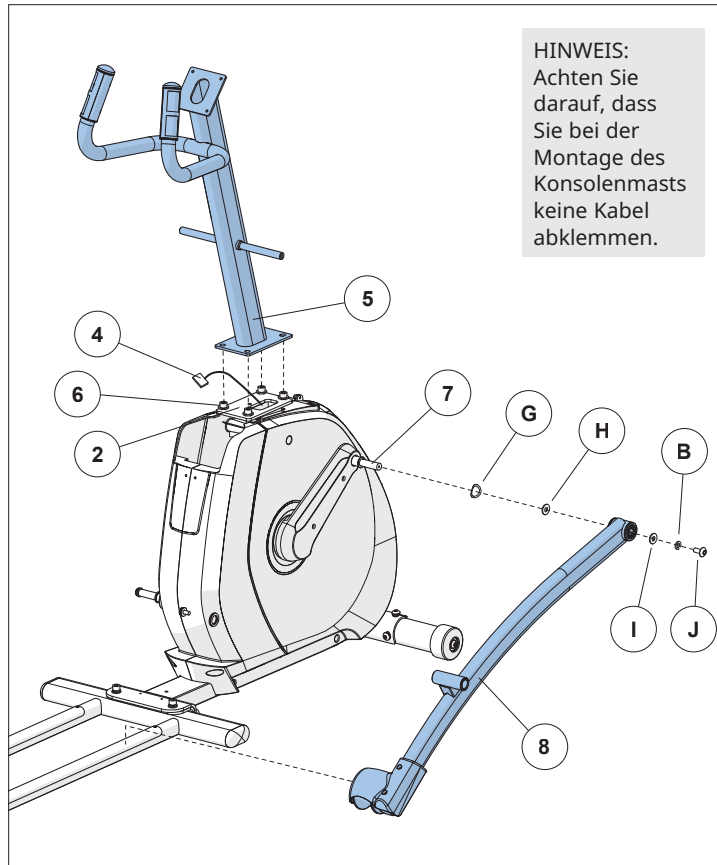
HARDWARE FÜR SCHRITT 2			
EINZELTEILE	TYP	BESCHREIBUNG	MENGE
D	ZYLINDERKOPF-SCHRAUBE	M10X1.5PX20L	4
E	FEDERSCHEIBE	10.2X18.4X2.5T	4
F	UNTERLEGSCHIEBE	10.2X20.0X1.5T	4



- A Öffnen Sie die **HARDWARE FÜR SCHRITT 2**.
- B Richten Sie das **FÜHRUNGSSCHIENENSET (3)** wie in der Abbildung gezeigt am **HAUPTRAHMEN (2)** aus.
- C Befestigen Sie das **FÜHRUNGSSCHIENENSET (3)** am **HAUPTRAHMEN (2)** mit **4 SCHRAUBEN (D)**, **4 FEDERSCHIEBEN (E)** und **4 UNTERLEGSCHIEBEN (F)**.



## AUFBAUSCHRITT 3



**HINWEIS:**  
Achten Sie darauf, dass Sie bei der Montage des Konsolenmasts keine Kabel abkleben.

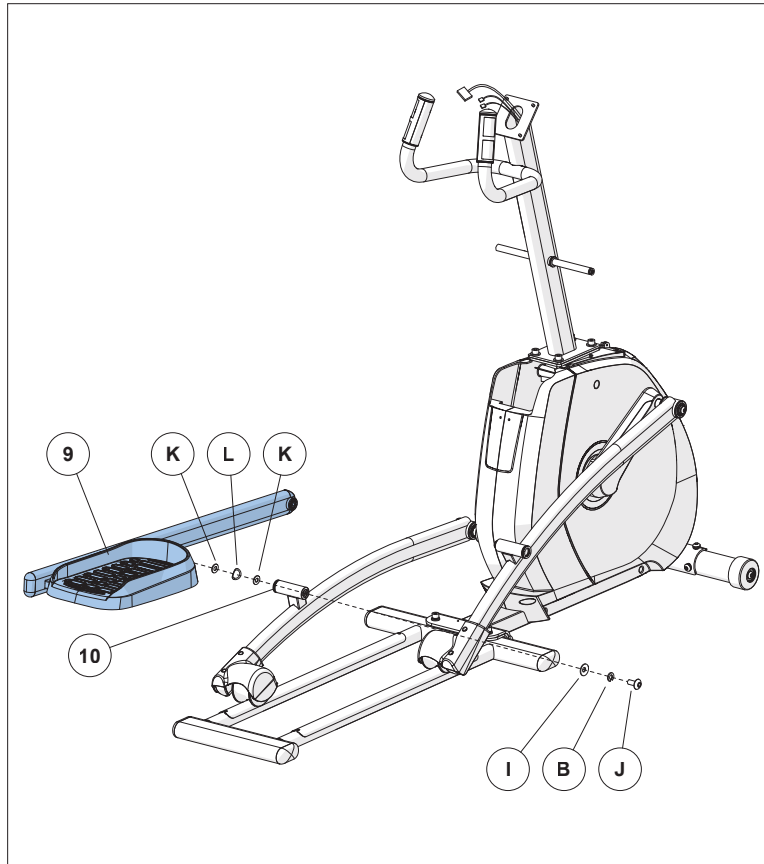
### HARDWARE FÜR SCHRITT 3

EINZELTEILE	TYP	BESCHREIBUNG	MENGE
G	UNTERLEGSSCHEIBE (GEWELLT)	17.2X22.5X0.5T	2
H	UNTERLEGSSCHEIBE	16.0X25.0X1.0T	2
I	UNTERLEGSSCHEIBE	8.2X30.0X1.5T	2
B	FEDERSCHEIBE	8.2X15.4X2.0T	2
J	KOPFSCHRAUBE	M8X1.25PX15L	2

- A Öffnen Sie die **HARDWARE FÜR SCHRITT 3**.
- B Entfernen Sie **VORINSTALLIERTE SCHRAUBEN UND UNTERLEGSSCHEIBEN (6)** vom **HAUPTTRAHMEN (2)**.
- C Ziehen Sie das **KONSOLENKABEL (4)** vorsichtig durch den **KONSOLENMAST (5)** und verwenden Sie hierfür den Führungsdraht im **KONSOLENMAST (5)**.
- D Befestigen Sie den **KONSOLENMAST (5)** am **HAUPTTRAHMEN (2)** mit den **VORINSTALLIERTEN SCHRAUBEN UND UNTERLEGSSCHEIBEN (6)**.
- E Schieben Sie die **GEWELLTE UNTERLEGSSCHEIBE (G)** und die **FLACHE UNTERLEGSSCHEIBE (H)** über die **KURBEL (7)**, gefolgt vom **PEDALARM (8)**, wie abgebildet. Legen Sie das Pedalarmrad auf die Führungsschiene auf.
- F Befestigen Sie den **PEDALARM (8)** an der **KURBEL (7)** mit 1 **UNTERLEGSSCHEIBE (I)**, 1 **FEDERSCHEIBE (B)** und 1 **SCHRAUBE (J)**.
- G Wiederholen Sie die Schritte E – F auf der anderen Seite des Elliptical Trainers.



## AUFBAUSCHRITT 4



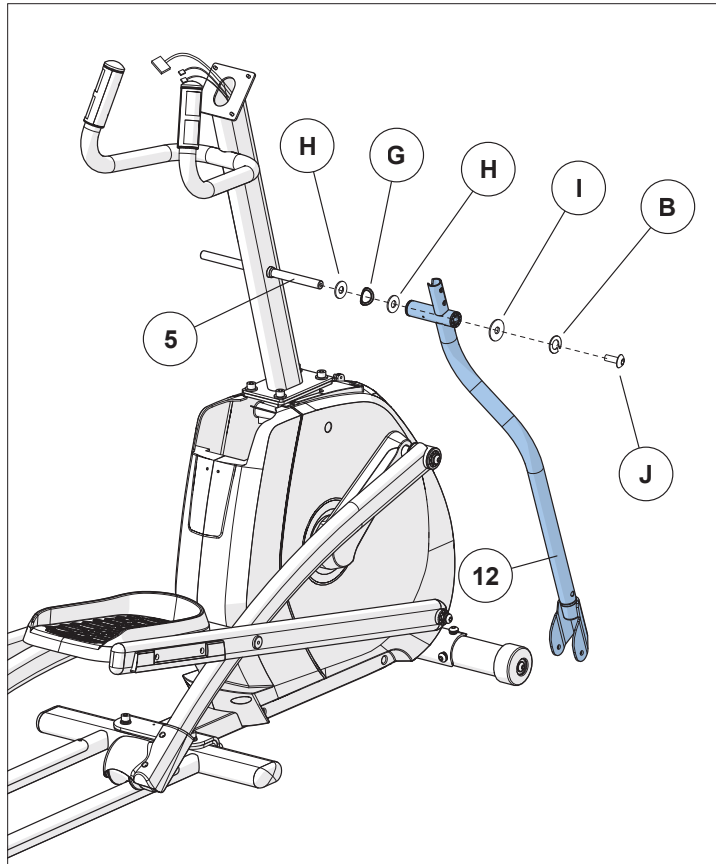
HARDWARE FÜR SCHRITT 4			
EINZELTEILE	TYP	BESCHREIBUNG	MENGE
K	UNTERLEGSCHIEBE	20.2X27.2X1.5T	4
L	UNTERLEGSCHIEBE (GEWELLT)	20.7X29.1X0.5T	2
I	UNTERLEGSCHIEBE	8.2X20.0X1.5T	2
B	FEDERSCHIEBE	8.2X15.4X2.0T	2
J	KOPFSCHRAUBE	M8X1.25PX20L	2



- A Öffnen Sie die **HARDWARE FÜR SCHRITT 4**.
- B Schieben Sie 1 **UNTERLEGSCHIEBE (K)**, 1 **GEWELLTE UNTERLEGSCHIEBE (L)** und eine weitere **UNTERLEGSCHIEBE (K)** auf den **UNTEREN VERBINDUNGSARM (9)**.
- C Schieben Sie den **UNTEREN VERBINDUNGSARM (9)** in die **PEDALARMKLAMMER (10)**.
- D Befestigen Sie den **UNTEREN VERBINDUNGSARM (9)** an der **PEDALARMKLAMMER (10)** mit 1 **UNTERLEGSCHIEBE (I)**, 1 **FEDERSCHIEBE (B)** und 1 **SCHRAUBE (J)**.
- E Wiederholen Sie die Schritte B – D auf der anderen Seite des Elliptical Trainers.



## AUFBAUSCHRITT 5

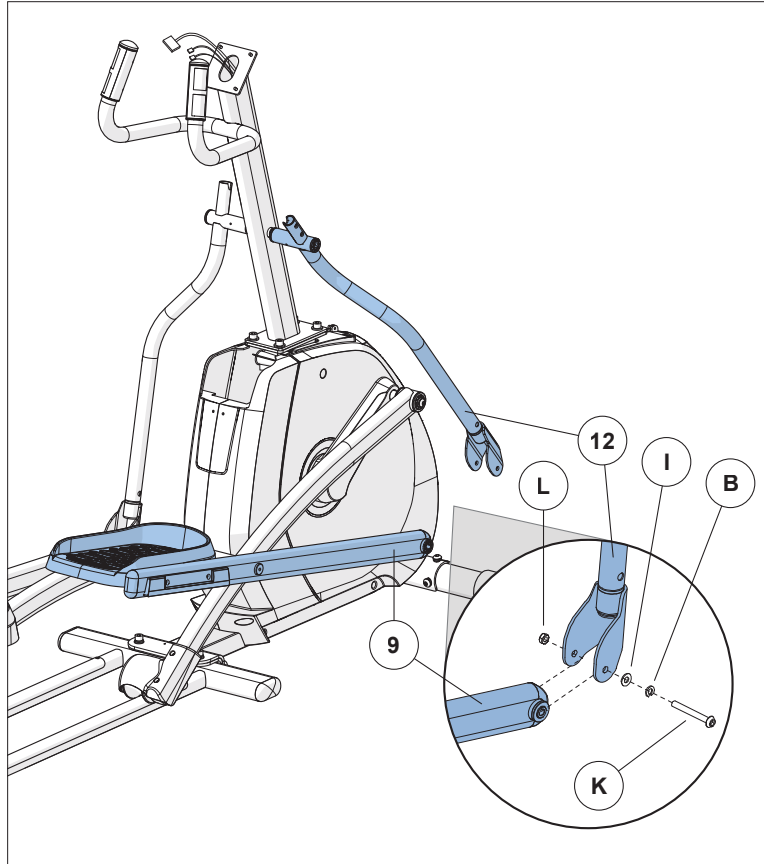


### HARDWARE FÜR SCHRITT 5

EINZELTEILE	TYP	BESCHREIBUNG	MENGE
G	UNTERLEGSCHIBE (GEWELLT)	17.2X22.5X0.5T	2
H	UNTERLEGSCHIBE	16.0X25.0X1.0T	4
I	UNTERLEGSCHIBE	8.2X30.0X1.5T	2
B	FEDERSCHIBE	8.2X15.4X2.0T	2
J	KOPFSCHRAUBE	M8X1.25PX20L	2

- A Öffnen Sie die **HARDWARE FÜR SCHRITT 6**.
- B Schieben Sie 1 **UNTERLEGSCHIBE (H)**, 1 **GEWELLTE UNTERLEGSCHIBE (G)** und eine weitere **UNTERLEGSCHIBE (H)** auf den **KONSOLENMAST (5)**.
- C Schieben Sie die **UNTERE HALTESTANGE (12)** auf den **KONSOLENMAST (5)** und befestigen Sie diese mit 1 **UNTERLEGSCHIBE (I)**, 1 **FEDERSCHIBE (B)** und 1 **SCHRAUBE (J)**.
- D Wiederholen Sie die Schritte B – C auf der anderen Seite.

## AUFBAUSCHRITT 6



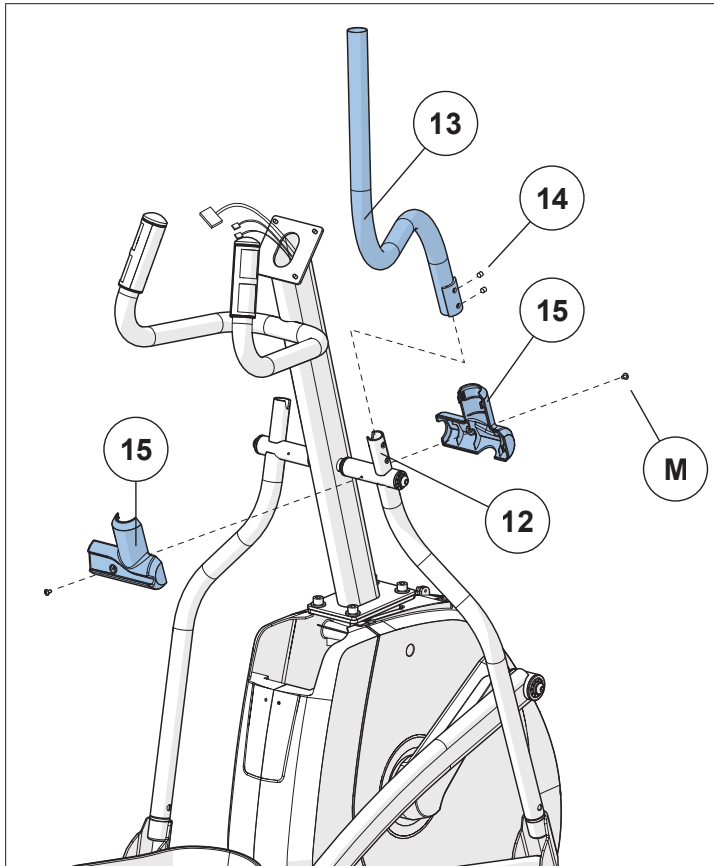
HARDWARE FÜR SCHRITT 6			
EINZELTEILE	TYP	BESCHREIBUNG	MENGE
K	SCHRAUBE	M8X1.25PX70L-12L	2
B	FEDERSCHEIBE	8.2X15.4X2.0T	2
I	UNTERLEGSCHHEIBE	8.2X20.0X1.5T	2
L	MUTTER	M8X1.25P	2



- A Öffnen Sie die **HARDWARE FÜR SCHRITT 6**.
- B Schieben Sie den **UNTEREN VERBINDUNGSARM (9)** in das untere Ende der **UNTEREN HALTESTANGE (12)**.
- C Befestigen Sie die Verbindung mit 1 **SCHRAUBE (K)**, 1 **FEDERSCHHEIBE (B)**, 1 **UNTERLEGSCHHEIBE (I)** und 1 **MUTTER (L)**.
- D Wiederholen Sie die Schritte B – C auf der anderen Seite des Elliptical Trainers.



## AUFBAUSCHRITT 7



### HARDWARE FÜR SCHRITT 7

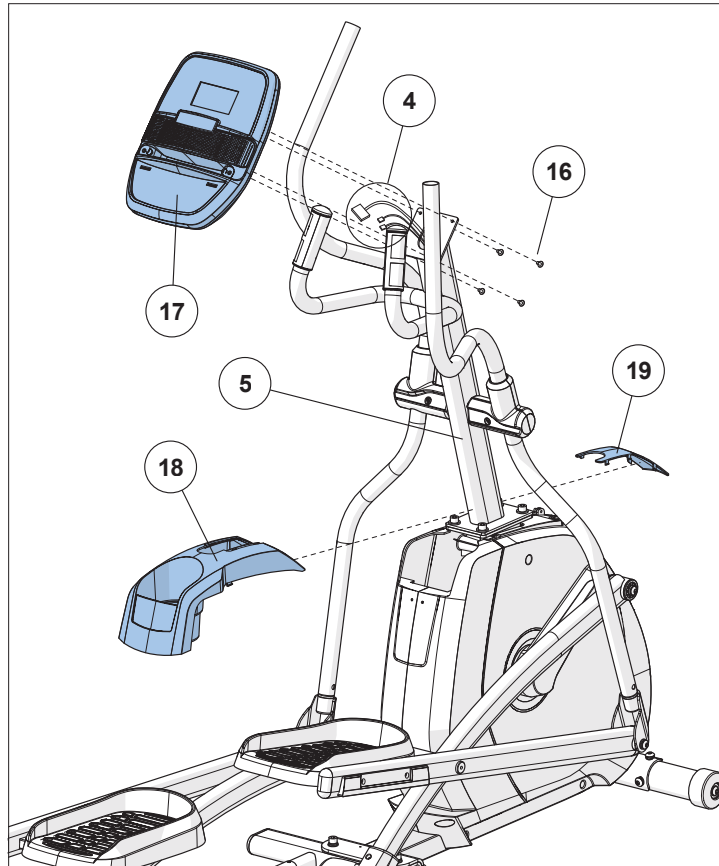
EINZELTEILE	TYP	BESCHREIBUNG	MENGE
M	SCHRAUBE	M4X0.7PX8L	4

- Öffnen Sie die **HARDWARE FÜR SCHRITT 7**.
- Schieben Sie die rechte (R) **OBERE HALTESTANGE (13)** in die rechte **UNTERE HALTESTANGE (12)** und stellen Sie sicher, dass die Haltestangen vollständig verbunden sind. Befestigen Sie die **OBERE HALTESTANGE (13)** an der **UNTEREN HALTESTANGE (12)** mit den **VORINSTALLIERTEN SCHRAUBEN AM SET (14)**.
- Schieben Sie die rechten (R) **HALTESTANGENABDECKUNGEN (15)** über die **OBEREN HALTESTANGEN (13)** und befestigen Sie diese mit 1 **SCHRAUBE (M)**.

**HINWEIS:** Vergewissern Sie sich, dass sich die oberen Haltestangen so weit unten wie möglich befinden. Die Haltestangen können beschädigt werden, wenn sie nicht richtig befestigt werden.

- Wiederholen Sie die Schritte B – C auf der linken Seite.

## AUFBAUSCHRITT 8



**HINWEIS:** Die gesamte Hardware für diesen Schritt ist vorinstalliert.

- A Entfernen Sie die 4 **VORINSTALLIERTEN SCHRAUBEN (16)** von der **KONSOLE (17)**.
- B Befestigen Sie die **KONSOLENKABEL (4)** an der **KONSOLE (17)**.
- C Schieben Sie die **KONSOLENKABEL (4)** vorsichtig in den **KONSOLENMAST (5)**, bevor Sie die **KONSOLE (17)** befestigen. Befestigen Sie die **KONSOLE (17)** am

**HINWEIS:**

Achten Sie darauf, dass Sie bei der Montage der Konsole keine Kabel abklemmen.

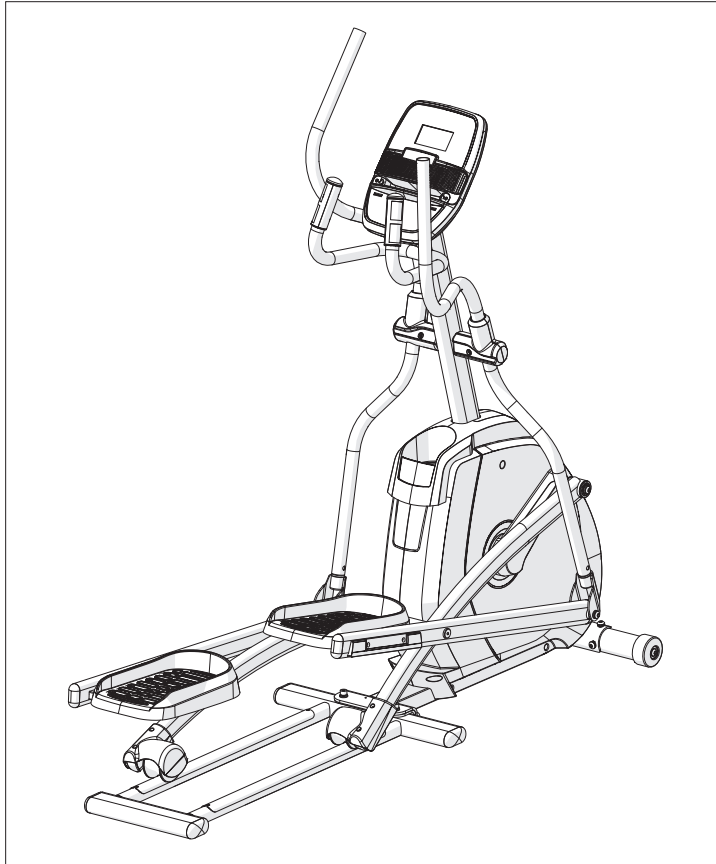
**KONSOLENMAST (5)** mit den 4 **VORINSTALLIERTEN SCHRAUBEN (16)**.

- D Schieben Sie die **VORDERE STANGENAUFSAZ (18)** und die **HINTERE STANGENAUFSAZ (19)** über den **KONSOLENMAST (5)** und lassen Sie sie einrasten.





## AUFBAUSCHRITT 9



**AUFBAU ABGESCHLOSSEN!**

Andes 2.0 / EX59

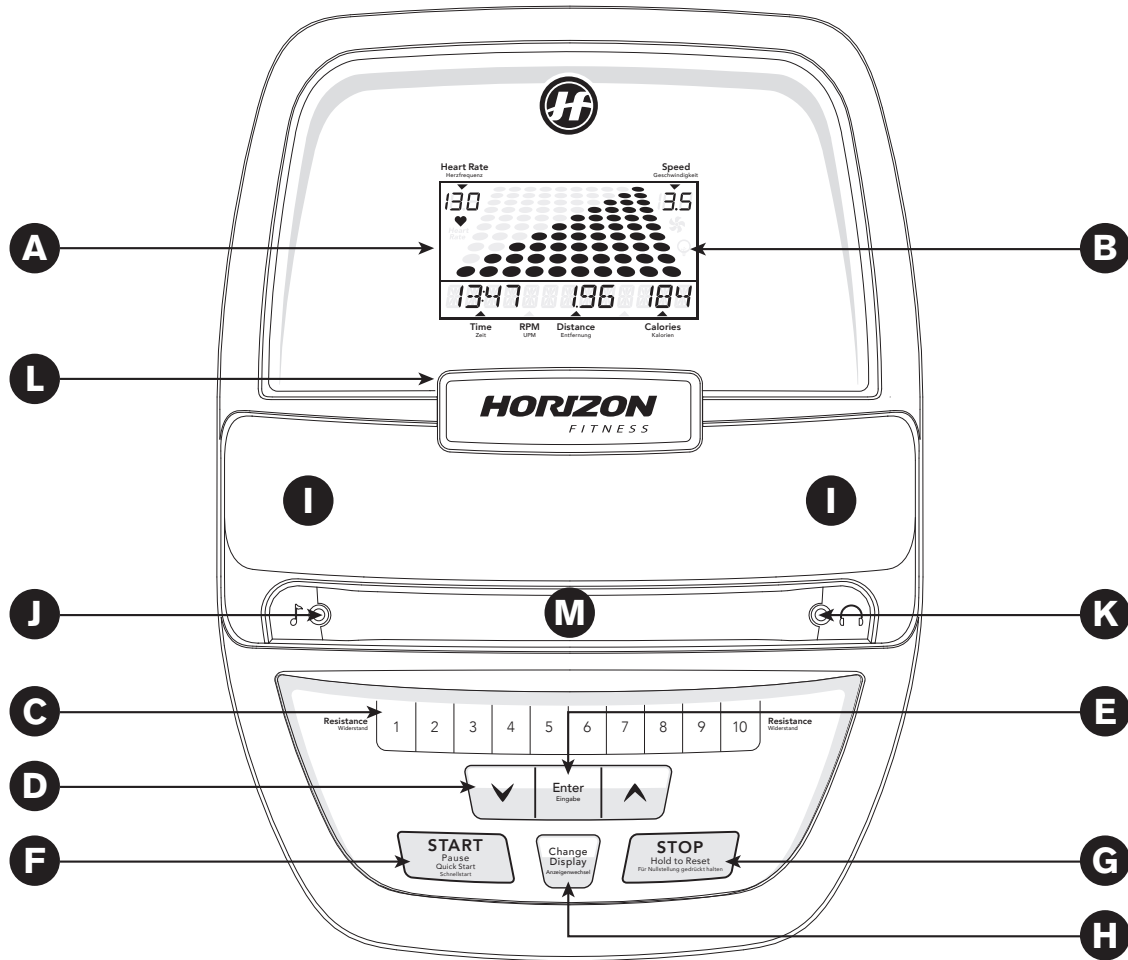
Max. Nutzergewicht: 136 kg

Gesamtabmessungen: 173 x 63,5 x 162,5 cm

# BETRIEB DES ELLIPTICAL TRAINER



In diesem Abschnitt werden Betrieb und Programmierung des Elliptical Trainers beschrieben.  
Informationen zum BASISBETRIEB finden Sie im ELLIPTICAL TRAINER-HANDBUCH.



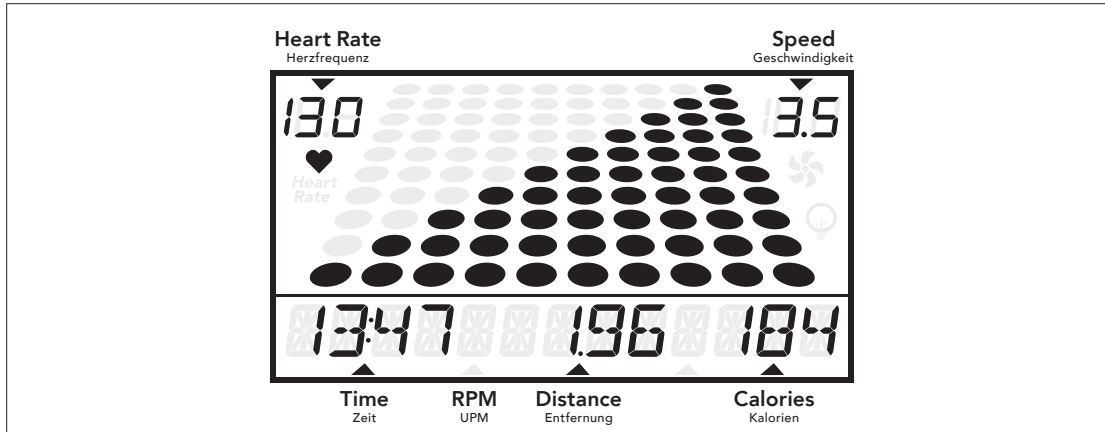


## BEDIENUNG DER KONSOLE

Hinweis: Die Konsolenoberfläche ist mit einer dünnen Schutzschicht aus durchsichtigem Plastik überzogen; diese Schicht muss vor der Benutzung abgenommen werden.





- A) **LCD-ANZEIGEFENSTER:** Zeit, U/min, Strecke, Kalorien, Herzfrequenz, Geschwindigkeit
- B) **ENERGIESPARANZEIGE:** Zeigt an, ob sich das Gerät im Energiesparmodus befindet.
- C) **KURZTASTEN:** Schnelles Erreichen des gewünschten Widerstands.
- D) **▼▲TASTEN:** Einstellung des Widerstandslevels und zum Blättern durch die Optionen bei der Programmeinrichtung.
- E) **EINGABE (ENTER):** Auswahl bestätigen.
- F) **START / PAUSE:** Training starten, pausieren und fortsetzen.
- G) **STOPP / HALTEN ZUM ZURÜCKSETZEN (STOP / HOLD):** Gerät anhalten. Zurücksetzen, wenn die Taste gedrückt gehalten wird.
- H) **ANZEIGE WECHSELN (CHANGE DISPLAY):** Andere Trainingsdaten anzeigen.
- I) **LAUTSPRECHER:** Musik über die Lautsprecher abspielen, wenn ein Mediaplayer verbunden ist.
- J) **AUDIO-IN-BUCHSE:** MP3-Player mit dem im Lieferumfang enthaltenen Audioadapterkabel an der Konsole anschließen.
- K) **AUDIO-OUT-BUCHSE:** Kopfhörer beim Training an der Konsole anschließen.
- L) **LESEHALTERUNG:** Halterung für Lesestoff.
- M) **AUFBEWAHRUNGSFACH:** Persönliche Gegenstände wie eine kleine Fernbedienung, Mobiltelefon oder Mediaplayer aufbewahren.



## ANZEIGEFENSTER

- **LCD MIT BLAUER HINTERGRUNDBELEUCHTUNG:** Nur Andes 2.0
- **ZEIT (TIME):** Wird in Minuten: Sekunden angezeigt. Zeigt die verbleibende Zeit oder die bisher absolvierte Trainingsdauer an.
- **STRECKE (DISTANCE):** Wird in Meilen angezeigt. Zeigt die bisher zurückgelegte Strecke oder die noch verbleibende Trainingsstrecke an.
- **KALORIEN (CALORIES):** Gesamtmenge verbrannter Kalorien bzw. noch zu verbrennender Kalorien im Training.
- **DREHZAHL (U/PM):** Umdrehungen pro Minute.
- **GESCHWINDIGKEIT (SPEED):** Wird in Meilen pro Stunde (MPH) angezeigt. Gibt an, wie schnell sich das Laufband bewegt.
- **HERZFREQUENZ (HEART RATE):** Dargestellt in Herzschläge pro Minute bzw. BPM („beats per minute“). Dient der Kontrolle Ihrer Herzfrequenz (wird angezeigt, wenn beide Hände an den Pulsgriffen sind).
- **PROGRAMMPROFILE (PROGRAM PROFILES):** Stellt das Profil des verwendeten Programms dar.
- **ENERGIESPARMODUS (ENERGY SAVER):** Zeigt an, wenn sich das Gerät im Energiesparmodus befindet, um den Stromverbrauch zu reduzieren.





## ERSTE SCHRITTE

- 1) Stellen Sie sicher, dass sich keine Objekte in der Nähe befinden, die den Bewegungsraum des Elliptical Trainers behindern könnten.
- 2) Verbinden Sie das Stromkabel mit der Steckdose und schalten Sie den Elliptical Trainer EIN. (Der Schalter befindet sich an der unteren Vorderseite des Elliptical Trainers.)
- 3) Stellen Sie mit   das Nutzergewicht ein und drücken Sie EINGABE.
- 4) Sie haben die folgenden Möglichkeiten, mit dem Training zu beginnen:

### A) SCHNELLSTART

Drücken Sie LOS (GO), um das Training zu beginnen. Zeit, Strecke und Kalorien beginnen alle bei Null. Der Widerstand ist standardmäßig auf Stufe 1 eingestellt.

### B) PROGRAMMAUSWAHL

- 1) Verwenden Sie  , um durch die Programme zu blättern.
- 2) Drücken Sie die EINGABETASTE, um das gewünschte Programm auszuwählen.
- 3) Stellen Sie mit   die Trainingsstufe ein und drücken Sie die EINGABETASTE.
- 4) Drücken Sie START, um mit dem Training zu beginnen.

HINWEIS: Sie können während des Trainings den Widerstand anpassen.

## TRAINING BEENDEN

Wenn Sie Ihr Training abgeschlossen haben, zeigt die Konsole „Training abgeschlossen“ (Workout Complete) an und gibt einen Piepton aus. Die Trainingsinformationen werden noch 30 Sekunden lang auf der Konsole angezeigt und dann zurückgesetzt.

## UM DIE KONSOLE ZURÜCKZUSETZEN,

halten Sie die Taste STOP 3 Sekunden lang gedrückt.

## AKTUELLE AUSWAHL ZURÜCKSETZEN

Um die aktuelle Programmauswahl oder den aktuellen Bildschirm zurückzusetzen, halten Sie die Taste Stop 3 Sekunden lang gedrückt.





## PROGRAMMINFORMATIONEN

**MANUELL (MANUAL):** Stellen Sie Ihren Widerstand beim Training manuell ein.

**GEWICHTSABNAHME (WEIGHT LOSS):** Fördert die Gewichtsabnahme, indem der Widerstand erhöht oder verringert wird, während Sie im Trainingsbereich der Fettverbrennung verbleiben. Zeitbasiertes Programm mit 10 auswählbaren Stufen.

**GEWICHTSABNAHME PLUS (WEIGHT LOSS PLUS):** Fördert die Gewichtsabnahme, indem der Widerstand erhöht oder verringert wird, während Sie im Trainingsbereich der Fettverbrennung verbleiben. Zeitbasiertes Programm mit 5 auswählbaren Stufen und höherer Intensität als das normale Gewichtsabnahmeprogramm.

**INTERVALLE:** Verbessert Ihre Kraft, Geschwindigkeit und Ausdauer, indem der Widerstand während des gesamten Trainings erhöht und gesenkt wird, um sowohl Ihr Herz als auch Ihre Muskeln zu trainieren. Zeitbasiertes Programm mit 10 auswählbaren Stufen.

**INTERVALLE PLUS:** Verbessert Ihre Kraft, Geschwindigkeit und Ausdauer, indem der Widerstand während des gesamten Trainings erhöht und gesenkt wird, um sowohl Ihr Herz als auch Ihre Muskeln zu trainieren. Zeitbasiertes Programm mit 5 auswählbaren Stufen und höherer Intensität als das normale Intervallprogramm.

**AUSDAUER (ROLLING):** Simuliert die Fortbewegung mit Anstiegen und Abstiegen, der Widerstand allmählich erhöht und verringert wird. Zeitbasiertes Programm mit 7 auswählbaren Stufen.

**RÜCKWÄRTS (REVERSE TRAIN):** Das Programm weist Sie an, vorwärts (F) und rückwärts (R) zu treten, um ein abwechslungsreiches und herausforderndes Training zu bieten.

**ZUFALL (RANDOM):** Bietet noch mehr Abwechslung beim Training, indem Sie die Widerstandsstufen zufällig auswählen lassen. Zeitbasiertes Programm mit 7 auswählbaren Stufen.

**KALORIEN (CALORIE GOAL):** Hier können Sie die Anzahl der Kalorien einstellen, die Sie verbrennen möchten. Das Ziel kann zwischen 100 und 999 Kalorien liegen. Die Kalorien werden heruntergezählt. Der Benutzer gibt das Gewicht ein und legt den Startwiderstand fest. Der Kalorienverbrauch wird anhand der Gewichtseingabe mit der Geschwindigkeit und dem Anstieg des Widerstands berechnet.

## VERWENDUNG IHRES MEDIAPLAYERS



- 1) Schließen Sie das im Lieferumfang enthaltene AUDIOADAPTERKABEL an der AUDIO-IN-BUCHSE links an der Konsole an und verbinden Sie es mit dem Kopfhöreranschluss Ihres Mediaplayers.
- 2) Verwenden Sie die Tasten Ihres Mediaplayers, um Einstellungen und Lautstärke anzupassen.
- 3) Entfernen Sie das AUDIOADAPTERKABEL, wenn Sie es nicht benötigen.



## ENERGIESPARMODUS (STANDBY)

Dieses Gerät verfügt über einen besonderen Energy Saver™-Modus. Dieser Modus ist standardmäßig NICHT aktiviert. Bei aktiviertem Energiesparmodus wechselt die Anzeige nach 15 Minuten Nichtbenutzung automatisch in den Standby-Modus (Energiesparmodus). Diese Funktion spart Energie, da ein Großteil der Stromversorgung des Geräts deaktiviert wird, bis Sie wieder eine Taste auf der Konsole betätigen. Die Funktion kann über das Engineering-Menü aktiviert oder deaktiviert werden.

Um dieses Menü zu aktivieren, halten Sie die Taste **▲** und die Taste **▼** für eine Dauer von 3-5 Sekunden gedrückt. Navigieren Sie mit **▼▲** durch das Menü, bis ENG 2 angezeigt wird. Drücken Sie die **EINGABETASTE**, um die Option auszuwählen. Drücken Sie die Taste **▼▲**, um den Energiesparmodus zu aktivieren oder deaktivieren (ENRGY SVE ON oder OFF). Halten Sie die Taste **STOP** für eine Dauer von 3-5 Sekunden gedrückt, um ENG 2 zu schließen. Halten Sie die Taste **STOP** erneut für eine Dauer von 3-5 Sekunden gedrückt, um das Engineering-Menü zu beenden.

**EN: Waste Disposal**

VISION Fitness / HORIZON Fitness / TEMPO Fitness / TREO Fitness products are recyclable. At the end of its useful life please dispose of this article correctly and safely (local refuse sites).

**DE: Entsorgungshinweis**

Die Produkte VISION Fitness/HORIZON Fitness/TEMPO Fitness/TREO Fitness sind recycelbar. Führen Sie das Gerät am Ende der Nutzungsdauer einer sachgerechten Entsorgung zu (örtliche Sammelstelle).

**NL: Verwijderingsaanwijzing**

VISION Fitness / HORIZON Fitness / TEMPO Fitness / TREO Fitness producten zijn recyclebaar. Breng het apparaat aan het einde van de gebruiksduur naar een in recycling gespecialiseerd bedrijf (plaatselijk verzamelpunt).

**FR: Remarque relative à la gestion des déchets**

Les produits VISION Fitness / HORIZON Fitness / TEMPO Fitness / TREO Fitness sont recyclables. Lorsque cet appareil arrive en fin de vie, veuillez l'éliminer de manière correcte et en toute sécurité en le déposant dans une déchetterie communale.

**IT: Indicazione sullo smaltimento**

I prodotti VISION Fitness / HORIZON Fitness / TEMPO Fitness / TREO Fitness sono riciclabili. Quando l'apparecchio non servirà più, portarlo in un apposito punto di raccolta della propria città (punti di raccolta comunali).

**ES: Gestión de residuos**

Los productos de VISION Fitness / HORIZON Fitness / TEMPO Fitness / TREO Fitness son reciclables. Cuando se termine su vida útil, por favor deshágase de este artículo de forma correcta y segura en un punto limpio.

**PT: Descarte**

Os produtos VISION Fitness / HORIZON Fitness / TEMPO Fitness / TREO Fitness são recicláveis. No final de sua vida útil, descarte este equipamento corretamente e com segurança (sites de locais de lixo).

**ChT: 廢棄物處理**

VISION Fitness / HORIZON Fitness / TEMPO Fitness / TREO Fitness 產品為可回收產品。產品的使用年限期滿後，請依照正確且安全的方式處理本廢棄商品（當地的廢棄場）。

**ChS: 废弃物处理**

VISION Fitness / HORIZON Fitness / TEMPO Fitness / TREO Fitness 产品是可回收利用的。在其使用期结束后，请正确安全地（在本地垃圾处理场）处理本品。



# BELANGRIJKE VOORZORGSMATREGELEN



## **BEWAAR DEZE INSTRUCTIES**

Lees de ELLIPTICALGIDS voor u deze GEBRUIKERSHANDLEIDING gebruikt. Bij het gebruik van een elektrisch product dienen altijd basisvoorzorgen te worden aangehouden, inclusief de volgende: Lees alle instructies voor u deze elliptical gebruikt. De eigenaar is er verantwoordelijk voor dat alle gebruikers van deze elliptical afdoende geïnformeerd worden over alle waarschuwingen en voorzorgsmaatregelen.



## **WAARSCHUWING**

### **OM HET RISICO VAN VERBRANDING, BRAND, ELEKTRISCHE SCHOKKEN OF LICHAAMELIJK LETSEL TE VERMINDEREN:**

- Als u pijn ervaart, met inbegrip van - maar niet beperkt tot - pijn op de borst, misselijkheid, duizeligheid of kortademigheid, stop dan direct uw training en raadpleeg uw arts voor u verder gaat.
- Houdt altijd een comfortabel tempo aan tijdens de training. Sprint niet sneller dan 80 TPM op dit toestel. Onjuiste of overmatige lichaamsbeweging kan letsel veroorzaken.
- Om uw evenwicht te behouden raden wij u aan de handgrepen vast te houden terwijl u traint, of het toestel op- of afstapt.
- Draai de pedaalarmen niet met de hand.
- Controleer voor ieder gebruik of de handgrepen goed vastzitten.
- Hou de bovenzijde van de voetsteun schoon en droog.
- Wees voorzichtig bij het op- en afstappen van het toestel. Beweeg het pedaal aan de kant waar u op- of afstapt naar de laagste positie en zorg dat het toestel volledig tot stilstand is gekomen voor u op- of afstapt.
- Draag geen kleding die aan een onderdeel van de elliptical kan blijven haken.
- Draag altijd sportschoenen tijdens het gebruik van deze apparatuur.
- Spring niet op de elliptical.
- Er mag zich nooit meer dan een persoon tegelijk op de elliptical bevinden als het in gebruik is.
- Deze elliptical is uitsluitend bedoeld voor gebruik binnenshuis. Gebruik deze elliptical niet voor commerciële of verhuurdoeleinden, in scholen of instellingen. Indien u zich hier niet aan houdt zal de garantie komen te vervallen.
- Gebruik de elliptical niet op een locatie zonder temperatuurcontrole, zoals - maar niet beperkt tot - garages, veranda's, zwembadruimtes, badkamers, carports of buiten. Indien u zich hier niet aan houdt zal de garantie komen te vervallen.
- Deze elliptical voldoet aan de norm EN957-1/9, klasse elliptical: HB; remsysteem is instelbaar.
- Laat nooit voorwerpen in een opening vallen en steek nooit voorwerpen in openingen om elektrische schokken te voorkomen.
- Houd het netsnoer uit de buurt van warmtebronnen. Draag dit apparaat niet aan het netsnoer en gebruik het netsnoer niet als handvat.
- Sluit de stroomtoevoer af voordat u het apparaat onderhoudt of verplaatst. Wrijf oppervlakken alleen schoon met zeep en een licht vochtige doek; gebruik nooit oplosmiddelen. (zie ONDERHOUD)
- Gebruik geen ander toebehoren dat niet aanbevolen is door de fabrikant. Toebehoren kan letsel veroorzaken.
- Niet gebruiken waar aerosols (spuitbussen) worden gebruikt of als zuurstof wordt toegediend.
- Gebruik de elliptical alleen zoals beschreven in de ellipticalgids en gebruikshandleiding.
- De apparatuur dient geïnstalleerd te worden op een stabiele ondergrond.





Kinderen jonger dan 13 jaar mogen NOOIT dichterbij dan 3 meter (10 ft) bij de elliptical komen.  
Kinderen jonger dan 13 jaar mogen de elliptical NOOIT gebruiken.  
Kinderen ouder dan 13 of gehandicapte mensen mogen de elliptical niet gebruiken zonder toezicht van een volwassene.



Het is essentieel dat de elliptical alleen binnen gebruikt wordt, in een klimaatgecontroleerde ruimte. Als uw elliptical is blootgesteld aan koudere temperaturen of een vochtige omgeving wordt het ten zeerste aangeraden om de elliptical voor het eerste gebruik op kamertemperatuur te brengen. Indien u dit niet doet kan dit leiden tot voortijdige elektronische storingen.

## AARDINGSINSTRUCTIES

Als de elliptical niet goed werkt of defect raakt, biedt de aarding de minste weerstand voor elektrische stroom om het risico van elektrische schokken te beperken. Dit product is uitgerust met een netsnoer met een aardekabel en een geaarde stekker. De stekker moet worden aangesloten op een geschikt stopcontact dat correct is geïnstalleerd en geaard in overeenstemming met alle plaatselijke voorschriften.

Een ondeskundige aansluiting van de aardleiding van de apparatuur kan elektrische schokken tot gevolg hebben. Neem contact op met een gekwalificeerde elektricien of servicemonteur als u twijfelt of het product correct is geaard. Pas de stekker die bij het product is geleverd niet aan. Als de stekker niet in het stopcontact past, dient u een geschikt stopcontact te laten installeren door een gekwalificeerde elektricien.

### WAARSCHUWING

Sluit dit trainingsapparaat alleen aan op een geaard stopcontact.

Gebruik het product nooit met een beschadigd netsnoer of een beschadigde stekker, zelfs niet als het nog correct werkt.  
Gebruik het product nooit als het beschadigd lijkt of in water is ondergedompeld. Neem contact op met uw dealer voor vervanging of reparatie.



# BASISBEDIENING



## GEFELICITEERD MET UW KEUZE VOOR DEZE ELLIPTICAL!

U hebt een belangrijke stap gezet in het ontwikkelen en onderhouden van een trainingsprogramma! Uw elliptical is een enorm effectief apparaat voor het bereiken van uw persoonlijke fitnessdoelen. Regelmatig gebruik van uw elliptical kan de kwaliteit van uw leven op zoveel manieren verbeteren.

Hier zijn slechts een paar van de gezondheidsvoordelen van lichaamsbeweging:

- Gewichtsverlies
- Een gezonder hart
- Verbeterde spieren
- Meer levensenergie

De sleutel tot het bereiken van deze voordelen is het ontwikkelen van een oefengewoonte. Uw nieuwe elliptical zal u helpen bij het elimineren van obstakels die u verhinderen om te sporten. Guur weer en duisternis zullen uw training niet hinderen wanneer u uw elliptical in het comfort van uw huis gebruikt. Deze gids geeft u basisinformatie voor het gebruik en het plezier van uw nieuwe machine.



## PLAATSING VAN DE ELLIPTICAL

Plaats de elliptical op een vlakke ondergrond. Wij adviseren u om ruimte rondom uw elliptical te houden (zie handleiding). Plaats de elliptical niet zodanig dat ventilatie- of luchttoevoeropeningen geblokkeerd worden.

## STROOMVOORZIENING

Uw elliptical wordt gevoed door een netstroomadapter. De stroom moet worden aangesloten op de voedingsaansluiting, die zich aan de voorkant van het apparaat in de buurt van de stabilisatiestang bevindt. Sommige ellipticals hebben een schakelaar, die zich naast de stroomaansluiting bevindt. Zorg ervoor dat de schakelaar in de AAN-stand staat.

LET OP: Sommige ellipticals hebben een AAN/UIT-schakelaar die zich achter de console bevindt.

## ⚠️ WAARSCHUWING

Gebruik het product nooit als het netsnoer of de stekker beschadigd is, als het apparaat niet goed werkt, als het beschadigd is, of ondergedompeld is in water. Neem contact op met ons servicecentrum voor technische ondersteuning, reparatie of nieuwe onderdelen.

## POSITIE VAN DE VOETEN

Deze elliptical biedt een verscheidenheid aan voetposities. Als u uw voet naar de meest voorwaartse positie van het voetpedaal beweegt, verhoogt u uw staphoogte, wat een gevoel geeft dat vergelijkbaar is met een stepper. Door uw voet naar de achterkant van het voetpedaal te plaatsen, wordt de staphoogte kleiner en krijgt u meer een glijdend gevoel, vergelijkbaar met een vloeiende wandeling of loopbeweging. Zorg er altijd voor dat uw hele voet op het voetpedaal is vastgezet.

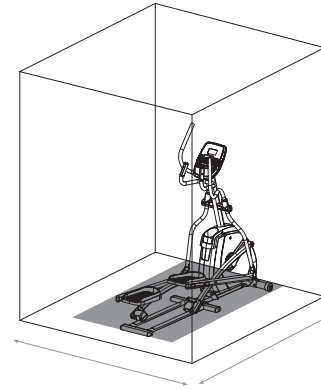
Met de elliptical kunt u naar voren en naar achteren trappen om een variatie aan uw training te bieden. U kunt zich dan richten op andere grote beenspieroepen zoals uw hamstrings en kuiten.

## TRAININGSOPTIES



### FULL BODY WORKOUT

Voor een volledige lichaamstraining duwt en trekt u voortdurend aan de dubbele actiearmen terwijl u trapt.



### TRAININGSGBIED

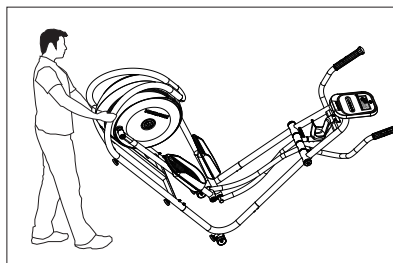
173 x 63,5 x 200 cm /  
68" x 25" x 78,7"

### VRIJE RUIMTE

418 x 247,5 x 300 cm /  
164,6" x 97,4" x 118"

## OPSTAPPEN OP DE ELLIPTICAL

1. Ga naast de elliptical staan aan de kant waar het voetpedaal laag staat.
2. Zet uw voet op het laagste pedaal en trek uzelf aan de elliptical op terwijl u beide stationaire handgrepen vasthoudt.



## DE ELLIPTICAL VERPLAATSEN

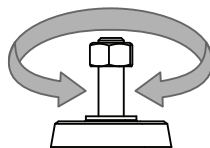
De elliptical heeft twee transportwielen ingebouwd in de voorstabilisator. Verwijder eerst de netstroomadapter en pak de achterstabilisatiestang stevig vast, kantel hem voorzichtig en laat hem rollen om hem te verplaatsen. LET OP: Let op: zorg dat u de stalen stang vastpakt en niet het plastic.

### **⚠ WAARSCHUWING**

Onze ellipticals zijn zwaar, wees voorzichtig en vraag indien nodig om hulp bij het verplaatsen. Het niet opvolgen van deze instructies kan tot letsel leiden.

## WATERPAS ZETTEN VAN DE ELLIPTICAL

Voor optimaal gebruik dient de elliptical waterpas te staan. Als u de elliptical neergezet heeft waar u het wilt gaan gebruiken kunt u een of twee van de stelvoeten onderop het elliptical frame hoger of lager zetten\*. We raden u aan een waterpas te gebruiken. Zodra u uw elliptical hebt gesteld, vergrendelt u de stelvoeten door de moeren tegen het frame aan te draaien. \*LET OP: Sommige ellipticals hebben geen stelvoeten.



### **INSTELLEN HOOGTE**



## DE HARTSLAG-FUNCTIE GEBRUIKEN

Uw elliptical kan worden uitgerust met hartslagpulsgrepen of een duimpulssensor. Om te weten te komen wat uw model heeft, raadpleeg het begin van het MONTAGEGEDEELTE montagegedeelte van uw GEBRUIKERSHANDLEIDING.

De hartslagfunctie op dit product is geen medisch hulpmiddel. Hoewel de hartslaggrepen of duimpulssensor een relatieve schatting van uw werkelijke hartslag kunnen geven, kunt u er niet op vertrouwen als nauwkeurige metingen nodig zijn. Sommige mensen, waaronder mensen in een hartrevalidatieprogramma, kunnen baat hebben bij het gebruik van een alternatief hartslagmonitoringsysteem, zoals een borst- of polsbandje. Verschillende factoren, waaronder de beweging van de gebruiker, kunnen de nauwkeurigheid van uw hartslagmeting beïnvloeden. De hartslagmeting is alleen bedoeld als hulp bij de training om algemene fluctuaties in hartslag te kunnen bepalen. Raadpleeg alstublieft uw arts.

**Het hartslagmonitoringsysteem is alleen beschikbaar op de Andes 2.0.**

## POLSSLAG-GREPEN

Plaats de palm van uw handen direct op de polsslag-grepen. Beide handen moeten de grepen vasthouden om uw hartslag te registreren. Het duurt 5 opeenvolgende hartslagen (15-20 seconden) voordat uw hartslag geregistreerd wordt. Houd de polsslag-grepen niet te stevig vast. Als u de handgrepen te stevig vasthoudt, kan uw bloeddruk stijgen. Houd een losse, ontspannen greep. U kunt een onregelmatige uitlezing krijgen als u de polsslag-grepen te strak vasthoudt. Reinig de pulssensoren om een goed contact te waarborgen.



### LET OP

Druk niet te hard op de sensor, want dit kan schade veroorzaken.





BOVENGREEP

LUIDSPEKERS

**⚠ WARNING**

Warning in professional premises only  
This is a professional piece of fitness  
equipment. Read the manual carefully.  
Improper use may result in serious injury or  
death. Do not use if you are pregnant,  
have a heart condition, or are taking  
medication. Do not use if you are  
under the influence of alcohol or drugs.  
This machine is designed for  
home use only. Do not use for  
club or therapeutic purposes.

**⚠ WARNUNG**

Warnung in professionellen Räumlichkeiten  
Dies ist eine professionelle Fitness-  
ausrüstung. Lesen Sie das Handbuch  
ganz sorgfältig durch. Ein  
falscher Gebrauch kann zu schweren  
Verletzungen oder sogar zum  
Tode führen. Benutzen Sie die  
Anlage nicht, wenn Sie schwanger  
sind, wenn Sie Medikamente  
einnehmen, wenn Sie unter dem  
Einfluss von Alkohol oder  
Drogen stehen. Diese Maschine ist  
für den Heimgebrauch  
entworfen. Nicht für den  
Klub- oder  
therapeutischen Gebrauch.

PEDAALARM

ONDERGREEP

ONDERSTE  
VERBINDINGSARM

DRAAIENDE  
VOETPEDALEN

ACHTERSTABILISATOR

POLSSLAG-GREPEN

BIDONHOUDER

LEESREK

CONSOLE

CONSOLEMAST

BOVENAFDEKKING

HOOFDFRAME

CRANK

STROOMANSLUITING

STABILISATIESTANG

GELEIDERAILSET



**⚠ CAUTION** **⚠ ACHTUNG**  
KEEP HANDS AND FEET AWAY  
FROM THE MOVING PARTS. HALTEN SIE HÄNDE UND FÜSSE  
VON BEWEGLICHEN TEILEN FERN.



## BENODIGD GEREEDSCHAP:

- 8 mm L-sleutel
- 13/17 mm moersleutel
- 5 mm L-sleutel/schroevendraaier
- Schroevendraaier (niet meegeleverd)

## MEEGELEVERDE ONDERDELEN:

- 1 Hoofdframe
- 1 Stabilisatiestang
- 1 Geleiderailset
- 1 Consolemast
- 2 Pedaalarmen
- 2 Ondergrepen
- 2 Bovengrepen
- 2 Handgreepafdekkingen
- 2 Verbindingsarmen, onder, met voetensteunen
- 1 Bovenafdekking, voor
- 1 Bovenafdekking, achter
- 1 Console
- 1 Audio-adapterkabel
- 1 Netsnoer
- 1 Set montagemateriaal

## VOOR MONTAGE

---

### UITPAKKEN

Pak het apparaat uit waar u het gaat gebruiken. Zet de doos van de elliptical op een vlakke ondergrond. We raden u aan uw vloer ergens mee te beschermen. Open de doos nooit als deze op zijn kant ligt.



### WAARSCHUWING

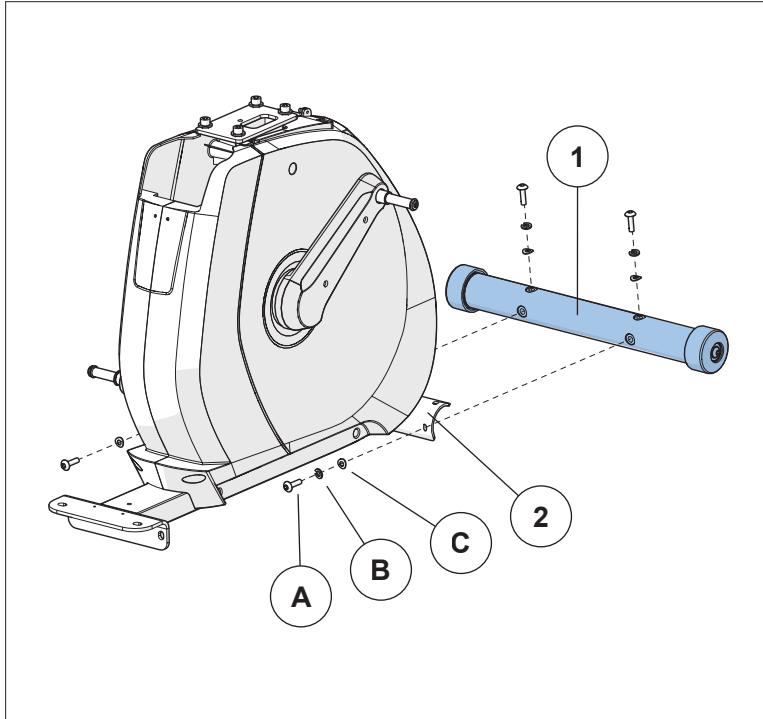
- Voor het gemak en de efficiëntie bij het monteren, is het aan te raden dat de elliptical met twee mensen wordt gemonteerd.
- Controleer tijdens iedere stap van de montage of ALLE bouten en moeren op de juiste plek zitten en deels zijn aangedraaid. Het wordt aanbevolen om de volledige montage van het apparaat te voltooien voordat u de bouten volledig vastdraait.
- Verschillende onderdelen zijn vooraf gesmeerd om montage en gebruik te vergemakkelijken. Veeg dit alstublieft niet weg. Als u moeilijkheden ondervindt raden wij u aan wat lithiumvet aan te brengen.

### HULP NODIG?

Als u vragen hebt of onderdelen mist, kijk dan op de veiligheidssticker op het product voor de contactgegevens van de technische klantenservice.



## MONTAGE STAP 1

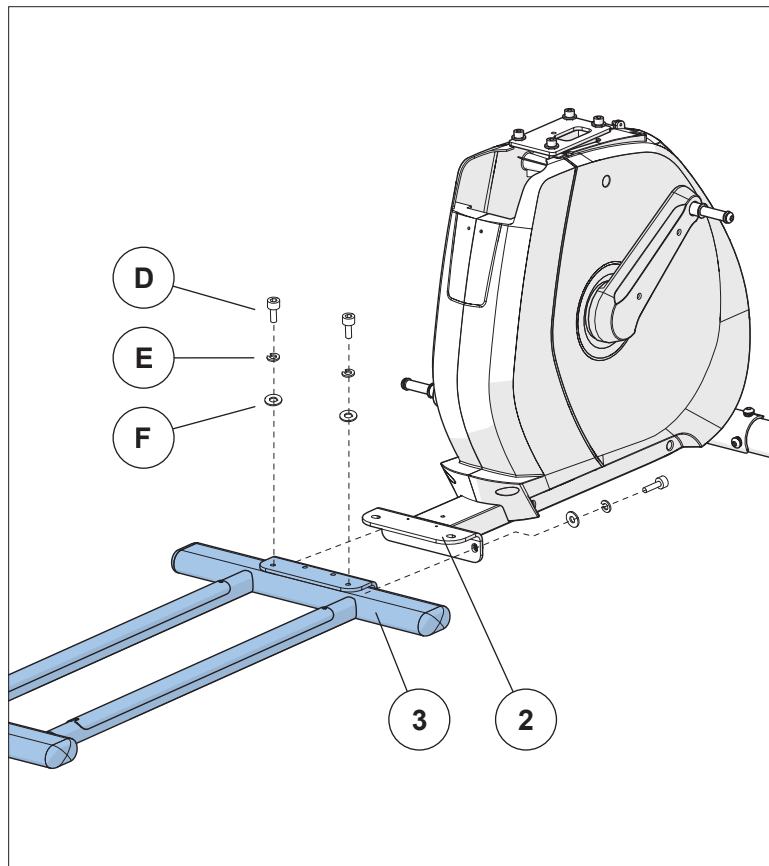


### MONTAGEMATERIAAL VOOR STAP 1

ONDERDEEL	TYPE	BESCHRIJVING	AANTAL
A	BOUT MET BOLLE KOP	M8X1,25PX30L	4
B	VEERRING	8,2X15,4X2,0T	4
C	GEGOLFDE VEERRING	8,4X17,0X1,0T	4

- A Open het **MONTAGEMATERIAAL VOOR STAP 1**.
- B Bevestig de **STABILISATIESTANG (1)** aan het **HOOFDFRAME (2)** met 2 **BOUTEN (A)**, 2 **VEERRINGEN (B)** en 2 **GEGOLFDE VEERRINGEN (C)** aan elke zijde.

## MONTAGE STAP 2



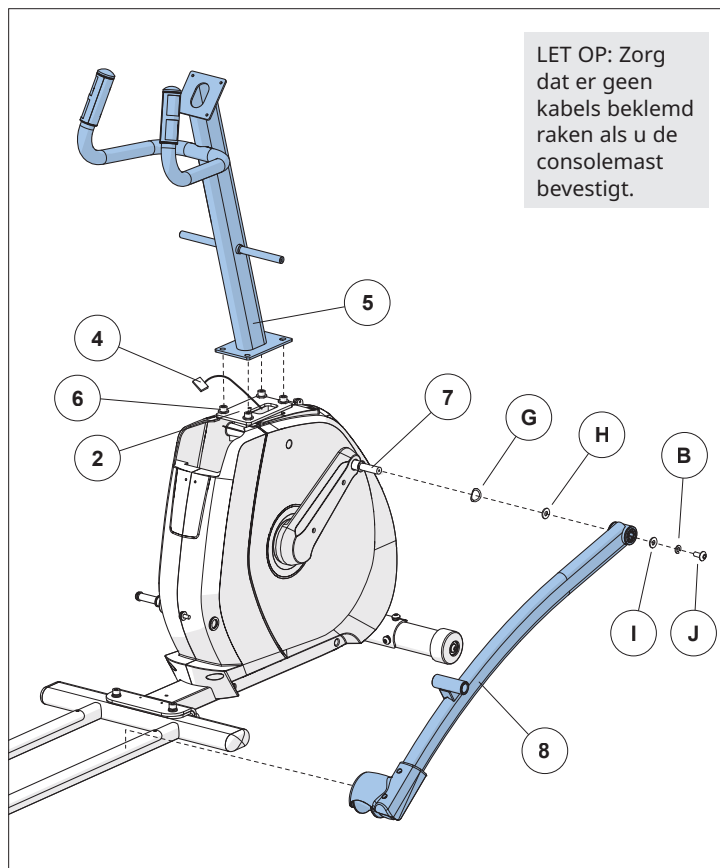
MONTAGEMATERIAAL VOOR STAP 2			
ONDERDEEL	TYPE	BESCHRIJVING	AANTAL
D	BINNENZESKANT- BOUT	M10X1,5PX20L	4
E	VEERRING	10,2X18,4X2,5T	4
F	SLUITRING	10,2X20,0X1,5T	4



- A Open het **MONTAGEMATERIAAL VOOR STAP 2**.
- B Lijn de **GELEIDERAILSET (3)** uit met het **HOOFDFRAME (2)** zoals afgebeeld.
- C Bevestig de **GELEIDERAILSET (3)** aan het **HOOFDFRAME (2)** met 4 **BOUTEN (D)**, 4 **VEERRINGEN (E)** en 4 **SLUITRINGEN (F)**.



## MONTAGE STAP 3

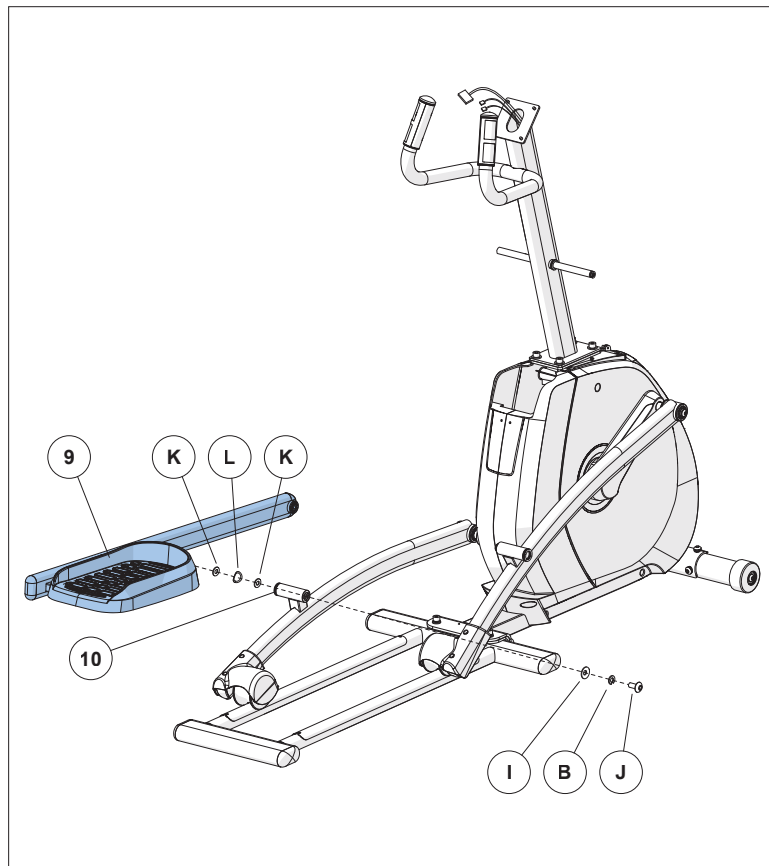


### MONTAGEMATERIAAL VOOR STAP 3

ONDERDEEL	TYPE	BESCHRIJVING	AANTAL
G	GEVOLFDDE RING	17,2X22,5X0,5T	2
H	SLUITRING	16,0X25,0X1,0T	2
I	SLUITRING	8,2X30,0X1,5T	2
B	VEERRING	8,2X15,4X2,0T	2
J	BOUT MET BOLLE KOP	M8X1,25PX15L	2

- Open het **MONTAGEMATERIAAL VOOR STAP 3**.
- Verwijder de **VOORGEMONTEERDE BOUTEN EN RINGEN (6)** van het **HOOFDFRAME (2)**.
- Trek voorzichtig de **CONSOLEKABEL (4)** door de **CONSOLEMAST (5)** met behulp van de twist-tie die zich in de **CONSOLEMAST (5)** bevindt.
- Bevestig de **CONSOLEMAST (5)** aan het **HOOFDFRAME (2)** met de **VOORGEMONTEERDE BOUTEN EN RINGEN (6)**.
- Schuif de **GEVOLFDDE RING (G)** en de **SLUITRING (H)** over de **CRANK (7)** gevolgd door de **PEDAALARM (8)** zoals afgebeeld. Laat het pedaalarmwiel op de geleiderail rusten.
- Bevestig de **PEDAALARM (8)** aan de **CRANK (7)** met 1 **SLUITRING (I)**, 1 **VEERRING (B)** en 1 **BOUT (J)**.
- Herhaal de stappen E- F aan de andere kant van de elliptical.

## MONTAGE STAP 4



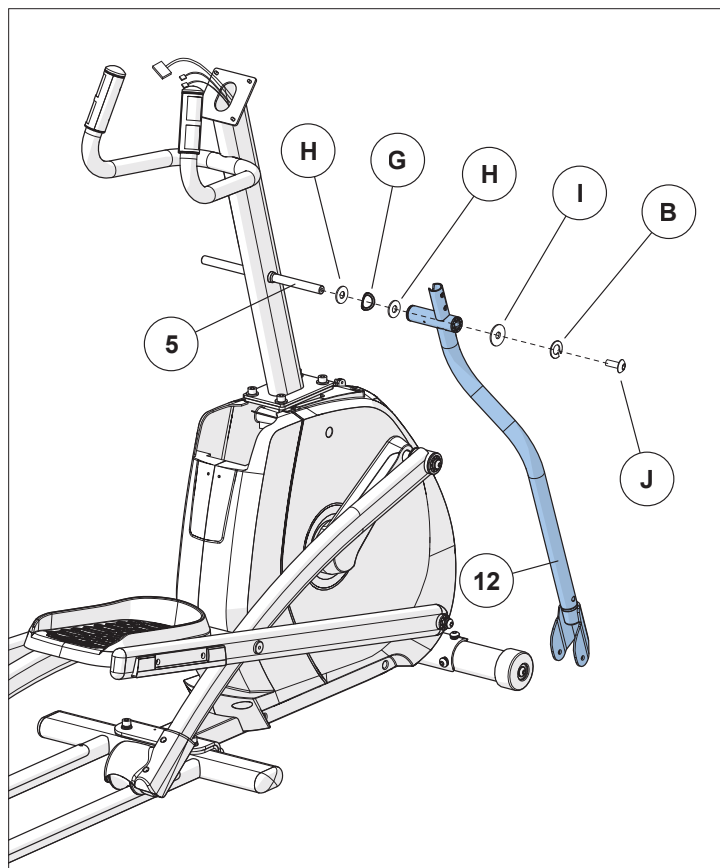
MONTAGEMATERIAAL VOOR STAP 4			
ONDERDEEL	TYPE	BESCHRIJVING	AANTAL
K	SLUITRING	20,2X27,2X1,5T	4
L	GEGOLFDE RING	20,7X29,1X0,5T	2
I	SLUITRING	8,2X20,0X1,5T	2
B	VEERRING	8,2X15,4X2,0T	2
J	BOUT MET BOLLE KOP	M8X1,25PX20L	2



- A Open het **MONTAGEMATERIAAL VOOR STAP 4**.
- B Schuif 1 **SLUITRING (K)**, 1 **GEGOLFDE RING (L)** en nog een **SLUITRING (K)** op de **ONDERSTE VERBINDINGSARM (9)**.
- C Schuif de **ONDERSTE VERBINDINGSARM (9)** in de **PEDAALARMBEUGEL (10)**.
- D Bevestig de **ONDERSTE VERBINDINGSARM (9)** aan de **PEDAALARMBEUGEL (10)** met 1 **SLUITRING (I)**, 1 **VEERRING (B)** en 1 **BOUT (J)**.
- E Herhaal de stappen B–D aan de andere kant van de elliptical.



## MONTAGE STAP 5

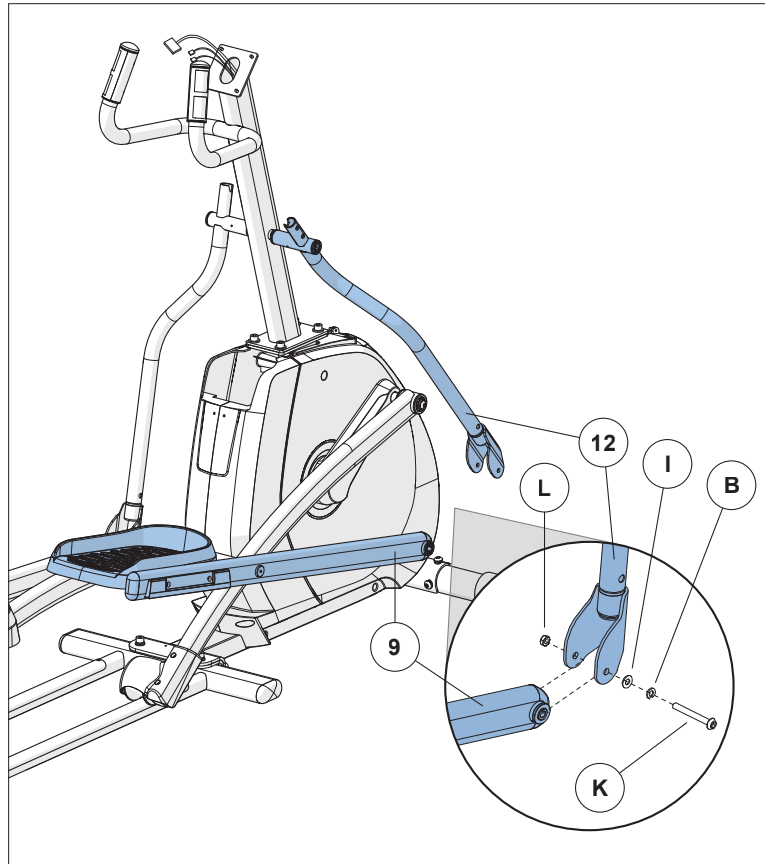


### MONTAGEMATERIAAL VOOR STAP 5

ONDERDEEL	TYPE	BESCHRIJVING	AANTAL
G	GEOLFDE RING	17,2X22,5X0,5T	2
H	SLUITRING	16,0X25,0X1,0T	4
I	SLUITRING	8,2X30,0X1,5T	2
B	VEERRING	8,2X15,4X2,0T	2
J	BOUT MET BOLLE KOP	M8X1,25PX20L	2

- A Open het **MONTAGEMATERIAAL VOOR STAP 6**.
- B Schuif 1 **SLUITRING (H)**, 1 **GEOLFDE RING (G)** en 1 **SLUITRING (H)** op de **CONSOLEMAST (5)**.
- C Bevestig de **ONDERGREEP (12)** aan de **CONSOLEMAST (5)** met 1 **SLUITRING (I)**, 1 **VEERRING (B)** en 1 **BOUT (J)**.
- D Herhaal stap B-C aan de andere kant.

## MONTAGE STAP 6



### MONTAGEMATERIAAL VOOR STAP 6

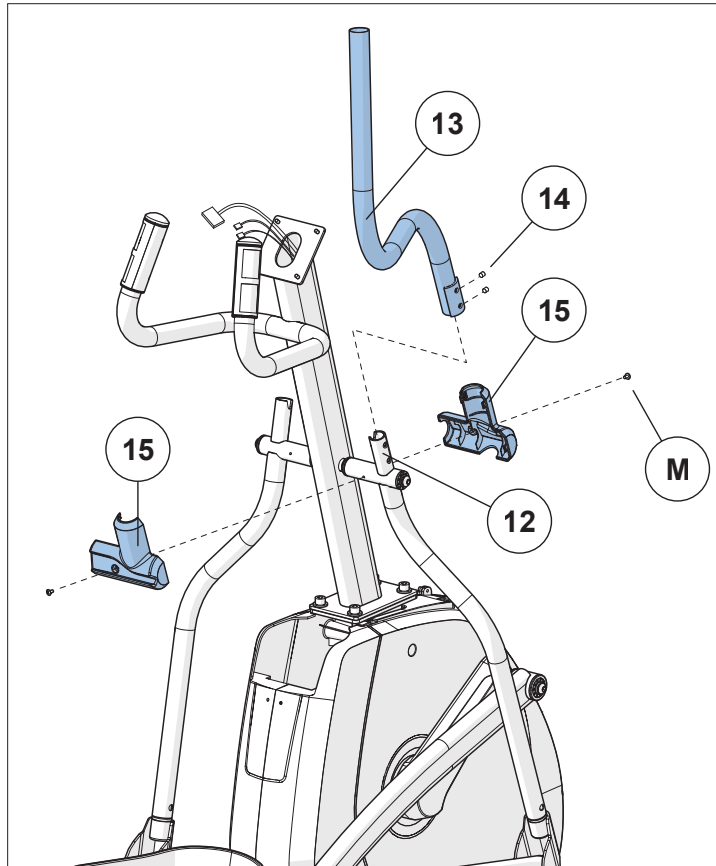
ONDERDEEL	TYPE	BESCHRIJVING	AANTAL
K	BOUT	M8X1,25PX70L- 12L	2
B	VEERRING	8,2X15,4X2,0T	2
I	SLUITRING	8,2X20,0X1,5T	2
L	MOER	M8X1,25P	2



- A Open de verpakking **MONTAGEMATERIAAL 6**.
- B Schuif de **ONDERSTE VERBINDINGSARM (9)** in de onderkant van de **ONDERGREEP (12)**.
- C Draai de verbinding vast met 1 **BOUT (K)**, 1 **VEERRING (B)**, 1 **SLUITRING (I)** en 1 **MOER (L)**.
- D Herhaal stap B-C aan de andere kant van de elliptical.



## MONTAGE STAP 7



### MONTAGEMATERIAAL VOOR STAP 7

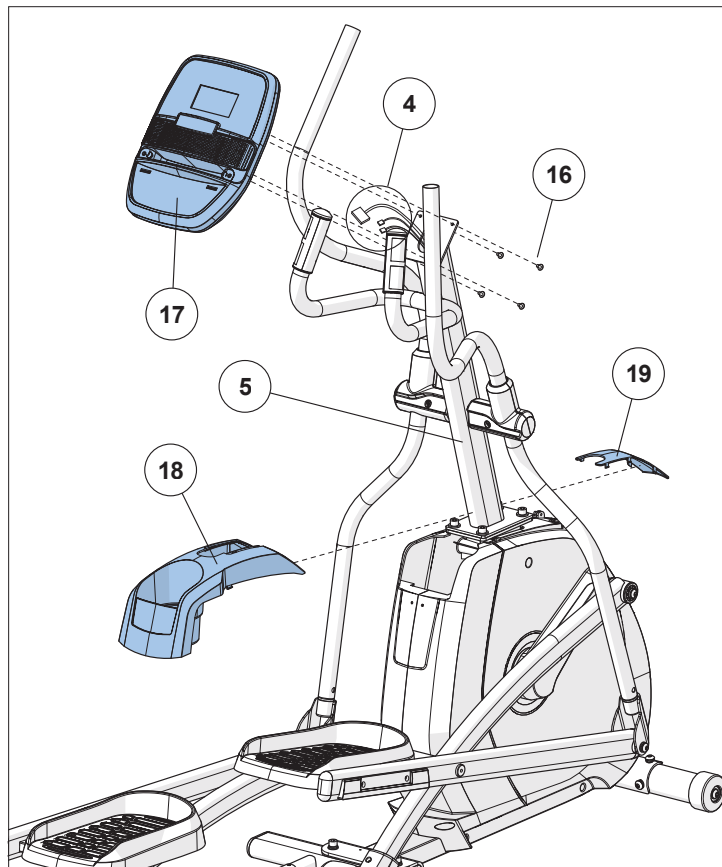
ONDERDEEL	TYPE	BESCHRIJVING	AANTAL
M	SCHROEF	M4X0,7PX8L	4

- A Open de verpakking met **MONTAGEMATERIAAL 7**.
- B Schuif de rechter (R) **BOVENGREEP (13)** op de rechter **ONDERGREEP (12)** en zorg dat beide grepen volledig met elkaar verbonden zijn. Bevestig de **BOVENGREEP (13)** aan de **ONDERGREEP (12)** met de **VOORGEMONTEERDE SET SCHROEVEN (14)**.
- C Schuif de rechter (R) **GREEPAFDEKKINGEN (15)** over de **BOVENGREPEN (13)** en bevestig deze met 1 **SCHROEF (M)**.

LET OP: Zorg ervoor dat de bovengrepen zo ver mogelijk naar beneden zijn. De grepen kunnen beschadigd raken als ze niet goed worden vastgezet.



## MONTAGE STAP 8



LET OP: Al het montage materiaal voor deze stap is voorgemonteerd.

- A Verwijder de 4 **VOORGEMONTEERDE BOUTEN (16)** van de **CONSOLE (17)**.
- B Bevestig de **CONSOLEKABELS (4)** aan de **CONSOLE (17)**.
- C Werk de **CONSOLEKABELS (4)** voorzichtig in de **CONSOLEMAST (5)** voordat u de **CONSOLE (17)** bevestigt . Bevestig de **CONSOLE (17)** aan de **CONSOLEMAST (5)** met de 4 **VOORGEMONTEERDE BOUTEN (16)**.

LET OP:

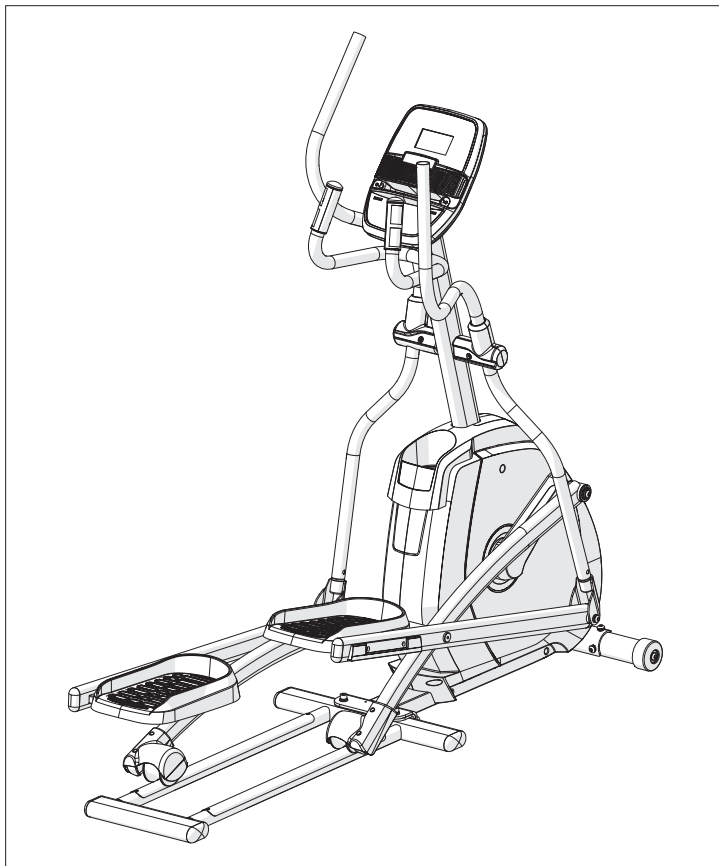
Zorg dat er geen kabels beklemd raken als u de console bevestigt.

- D Schuif de **VOORSTE BOVENAFDEKKING (18)** en de **ACHTERSTE BOVENAFDEKKING (19)** over de **CONSOLEMAST (5)** en klik deze vast.





## MONTAGE STAP 9



**MONTAGE VOLTOOID!**

Andes 2.0 / EX59

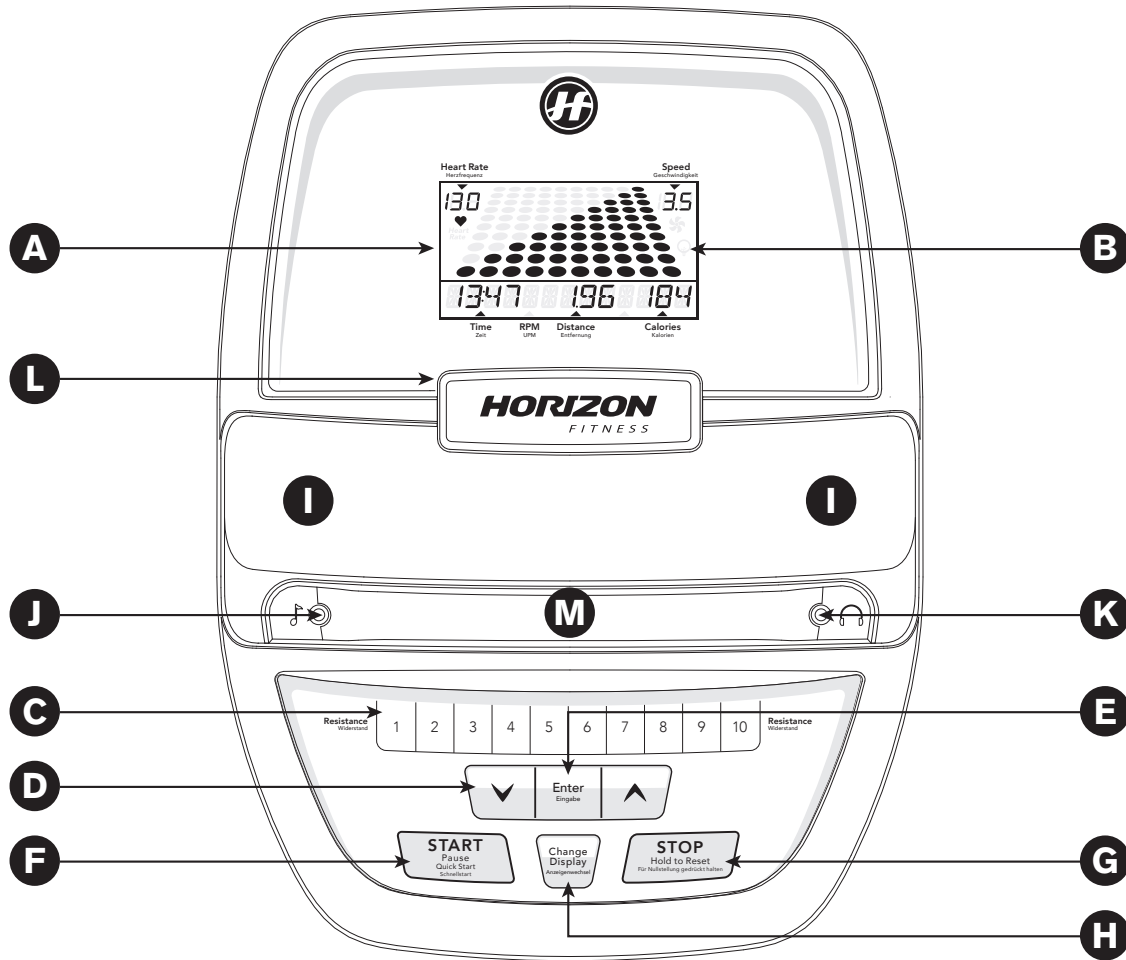
Max. gewicht gebruiker: 136 kg/300 lbs.

Totale afmetingen: 173 x 63,5 x 162,5 cm / 68" x 25" x 64"

# GEBRUIK VAN DE ELLIPTICAL



Dit hoofdstuk geeft uitleg over het gebruik van de console en programmering van de elliptical.  
Voor de basisbediening zie de ELLIPTICAL-GIDS.

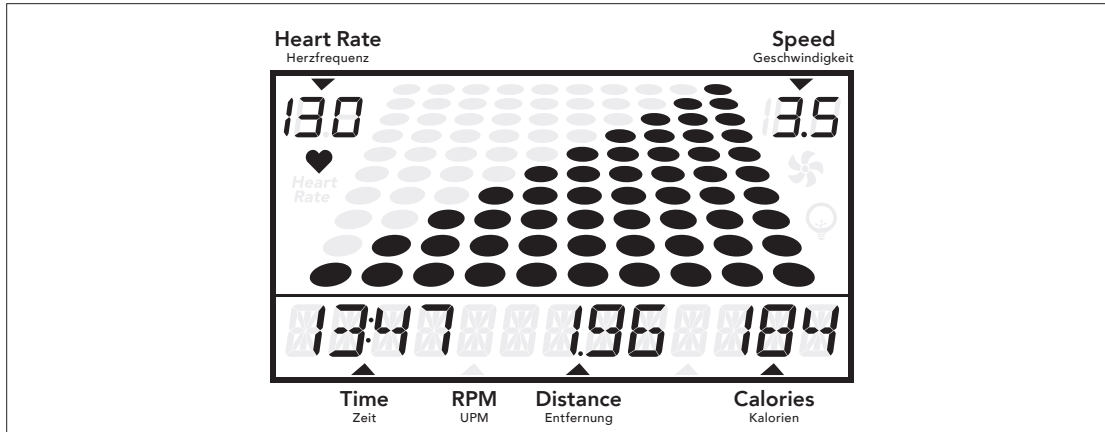


## BEDIENING CONSOLE

Let op: Op de afdekking van de console bevindt zich een dunne beschermlaag van doorzichtig plastic die vóór gebruik moet worden verwijderd.





- A) **LCD-DISPLAY VENSTER:** tijd, TPM, afstand, calorieën, hartslag, snelheid
- B) **ENERGIESPAARINDICATIE:** geeft aan of het apparaat in energiespaarstand staat.
- C) **SNELTOETSEN:** om snel een gewenst weerstandsniveau te kiezen.
- D) **▲▼ TOETSEN:** Wordt gebruikt om het weerstandsniveau aan te passen en om tijdens de programma-instellingen door de keuzes te bladeren.
- E) **ENTER:** voor het bevestigen van een keuze.
- F) **START / PAUSE:** om een training te starten, te pauzeren en opnieuw te starten.
- G) **STOP / HOLD TO RESET:** om het apparaat te stoppen en om het apparaat te resetten (ingedrukt houden).
- H) **WISSELEN VAN DISPLAY:** wordt gebruikt om tijdens de training de displayfeedback aan te passen.
- I) **LUIDSPREKERS:** muziekweergave af via luidsprekers wanneer deze zijn aangesloten op uw mediaspeler.
- J) **AUDIO IN-AANSLUITING:** voor het aansluiten van uw mediaspeler op de console met behulp van de meegeleverde audio-adapterkabel.
- K) **AUDIO-UIT AANSLUITING:** voor het aansluiten van uw hoofdtelefoon op de console voor gebruik tijdens de training.
- L) **LEESREK:** voor het plaatsen van leesmateriaal.
- M) **OPBERGVAK:** voor het opbergen van persoonlijke spullen, zoals een tv-afstandsbediening, mobiele telefoon of mediaspeler.



## DISPLAYVENSTERS

- **BLAUW LCD-DISPLAY MET ACHTERGRONDVERLICHTING:** Alleen Andes 2.0
- **TIJD:** Wordt weergegeven als minuten : seconden. Bekijk de resterende tijd of de tijd die uw training geduurd heeft.
- **AFSTAND:** Wordt weergegeven in mijlen. Geeft de afgelegde afstand tijdens uw training weer.
- **CALORIEËN:** Totaal aantal calorieën die u verbrand heeft of nog moet verbranden tijdens uw training.
- **TPM:** Toeren per minuut.
- **SNELHEID:** Getoond als MPH. Geeft aan hoe snel de voetpedalen bewegen.
- **HARTSLAG:** Wordt weergegeven als BPM (beats per minute - aantal slagen per minuut). Wordt gebruikt om uw hartslag te controleren (wordt weergegeven als contact gemaakt wordt met beide polsslag-grepen).
- **PROGRAMMAPROFIEL:** Het profiel van het gebruikte programma.
- **ENERGIESPAARSTAND:** Geeft aan wanneer de machine in de energiespaarstand staat om het stroomverbruik te beperken.





## AAN DE SLAG

- 1) Controleer of er geen objecten in de buurt staan die de bewegingen van de elliptical belemmeren.
- 2) Steek de stekker in het stopcontact en zet de elliptical AAN. (De schakelaar bevindt zich aan de onderzijde van de elliptical.)
- 3) Stel het gebruikersgewicht in met   en druk op ENTER.
- 4) U hebt de volgende opties om uw training te beginnen:

### A) SNELLE START

Druk gewoon op GO om met uw training te beginnen. Tijd afstand en calorieën zullen allemaal optellen vanaf nul. Het weerstandsniveau staat standaard op niveau 1.

### B) SELECTEER EEN PROGRAMMA

- 1) Gebruik   om door de programma's te bladeren
- 2) Druk op ENTER om het gewenste programma te selecteren.
- 3) Stel het trainingsniveau in met   en druk op ENTER.
- 4) Druk op START om met uw training te beginnen.

LET OP: U kunt het weerstandsniveau tijdens uw training aanpassen.

Als uw training is beëindigd, zal het display "workout complete" weergeven en piepen. Uw trainingsinformatie wordt gedurende 30 seconden weergegeven op de console, en wordt dan gereset.



## OM DE CONSOLE TE RESETTEN

houdt u de STOP-knop 3 seconden ingedrukt.

## HUIDIGE SELECTIE WISSEN

Om het huidige programma of scherm te wissen drukt u gedurende 3 seconden op stop.



## PROGRAMMA-INFORMATIE

**HANDMATIG:** Pas uw weerstandsniveau handmatig aan tijdens uw training.

**GEWICHTSVERLIES:** Bevordert gewichtsverlies door het weerstandsniveau te verhogen en te verlagen, terwijl u in de vetverbrandingszone blijft. Programma op basis van tijd waarbij u uit 10 niveaus kunt kiezen.

**GEWICHTSVERLIES PLUS:** Bevordert gewichtsverlies door het weerstandsniveau te verhogen en te verlagen, terwijl u in de vetverbrandingszone blijft. Tijdgebaseerd programma met 5 niveaus om uit te kiezen en een grotere intensiteit dan het gewichtsverliesprogramma.

**INTERVALLEN:** Verbetert uw kracht, snelheid en uithoudingsvermogen door het verhogen en verlagen van het weerstandsniveau tijdens de training om zowel uw hart als uw spieren te betrekken. Programma op basis van tijd waarbij u uit 10 niveaus kunt kiezen.

**INTERVALLEN PLUS:** Verbetert uw kracht, snelheid en uithoudingsvermogen door het verhogen en verlagen van het weerstandsniveau tijdens de training om zowel uw hart als uw spieren te betrekken. Tijdgebaseerd programma met 5 niveaus om uit te kiezen en een grotere intensiteit dan het intervalprogramma.

**ROLLENDE HEUVELS:** Geeft het gevoel heuvels door de weerstand geleidelijk te verhogen en te verlagen. Programma op basis van tijd waarbij u uit 7 niveaus kunt kiezen.

**OMGEKEERDE TRAINING:** Het programma geeft aan dat u naar voren (F) en naar achteren (R) moet trappen voor een spannende en uitdagende training.

**WILLEKEURIG:** Biedt nog meer trainingsvariatie door uw weerstandsniveaus door wisselen. Programma op basis van tijd waarbij u uit 7 niveaus kunt kiezen.

**CALORIEDOEL:** Hiermee kunt u het aantal calorieën instellen dat u wilt verbranden. Het caloriedoel kan variëren van 100-999 calorieën. De calorieën zullen aftellen. De gebruiker voert het gewicht in en stelt de startweerstand in. De verbrande calorieën worden berekend aan de hand van het gewicht dat met de snelheid en de van de training wordt ingevoerd.



## UW MEDIASPELER GEBRUIKEN



- 1) Sluit de meegeleverde ADAPTERKABEL VOOR AUDIO aan op de AUDIO IN-AANSLUITING aan de linkerkant van de console en de plug van uw hoofdtelefoon op uw mediaspeler.
- 2) Gebruik de knoppen van mediaspeler om de instellingen aan te passen.
- 3) Verwijder de AUDIO-ADAPTERKABEL als u deze niet gebruikt.



## ENERGIESPAARSTAND (STANDBY-MODUS)

Dit apparaat heeft een speciale Energy Saver™-modus. Deze modus wordt NIET automatisch geactiveerd. Als de Energiespaarstand geactiveerd is zal het display na 15 minuten van inactiviteit automatisch naar de stand-bymodus overschakelen (Energiespaarstand). Deze functie bespaart energie door de meeste voeding naar het toestel uit te schakelen tot er een knop op de console wordt ingedrukt. Deze functie kan in- en uitgeschakeld worden in het technische menu.

Om toegang te krijgen tot het technische menu houdt u **▲** knop en de **▼** knop 3-5 seconden ingedrukt. Gebruik de **▼▲** knoppen om door het menu te navigeren naar ENG 2. Druk op **ENTER** om te selecteren. Gebruik de **▼▲** knoppen om ENERGY SVE ON of OFF te selecteren. Houd **STOP** 3-5 seconden ingedrukt om ENG 2 te verlaten. Houd **STOP** opnieuw 3-5 seconden ingedrukt om het technische menu te verlaten.

**NL: Afvalverwijdering**

VISION Fitness-/HORIZON Fitness-/TEMPO Fitness-/TREO Fitnessproducten kunnen gerecycled worden.  
At the end of its useful life please dispose of this article correctly and safely (local refuse sites).

**Ger: Entsorgungshinweis**

Die Produkte VISION Fitness/HORIZON Fitness/TEMPO Fitness/TREO Fitness sind recycelbar.  
Führen Sie das Gerät am Ende der Nutzungsdauer einer sachgerechten Entsorgung zu (örtliche Sammelstelle).

**Dut: Verwijderingsaanwijzing**

VISION Fitness / HORIZON Fitness / TEMPO Fitness / TREO Fitness producten zijn recyclebaar. Breng het apparaat aan het einde van de gebruiksduur naar een in recycling gespecialiseerd bedrijf (plaatselijk verzamelpunt).

**Fre: Remarque relative à la gestion des déchets**

Les produits VISION Fitness / HORIZON Fitness / TEMPO Fitness / TREO Fitness sont recyclables. Lorsque cet appareil arrive en fin de vie, veuillez l'éliminer de manière correcte et en toute sécurité en le déposant dans une déchetterie communale.

**Ita: Indicazione sullo smaltimento**

I prodotti VISION Fitness / HORIZON Fitness / TEMPO Fitness / TREO Fitness sono riciclabili. Quando l'apparecchio non servirà più, portarlo in un apposito punto di raccolta della propria città (punti di raccolta comunali).

**Spe: Gestión de residuos**

Los productos de VISION Fitness / HORIZON Fitness / TEMPO Fitness / TREO Fitness son reciclables.  
Cuando se termine su vida útil, por favor deshágase de este artículo de forma correcta y segura en un punto limpio.

**Prb: Descarte**

Os produtos VISION Fitness / HORIZON Fitness / TEMPO Fitness / TREO Fitness são recicláveis.  
No final de sua vida útil, descarte este equipamento corretamente e com segurança (sites de locais de lixo).

**ChT: 廢棄物處理**

VISION Fitness / HORIZON Fitness / TEMPO Fitness / TREO Fitness 產品為可回收產品。  
產品的使用年限期滿後，請依照正確且安全的方式處理本廢棄商品 (當地的廢棄場)。

**ChS: 废弃物处理**

VISION Fitness / HORIZON Fitness / TEMPO Fitness / TREO Fitness 产品是可回收利用的。  
在其使用期结束后，请正确安全地 (在本地垃圾处理场) 处理本品。



# PRÉCAUTIONS IMPORTANTES



## CONSERVEZ CES INSTRUCTIONS

Lisez le guide de cet ELLIPTIQUE avant d'utiliser le MANUEL DU PROPRIÉTAIRE. Lors de l'utilisation d'un produit électrique, des précautions de base doivent toujours être respectées, notamment les suivantes : Lisez toutes les instructions avant d'utiliser cet elliptique. Il incombe au propriétaire de s'assurer que tous les utilisateurs de cet elliptique sont correctement informés de tous les avertissements et de toutes les précautions.



## **AVERTISSEMENT**

### **POUR RÉDUIRE LE RISQUE DE BRÛLURE, D'INCENDIE, DE CHOC ÉLECTRIQUE OU DE BLESSURE :**

- Si vous ressentez une douleur quelconque, notamment des douleurs à la poitrine, des nausées, des étourdissements ou un essoufflement, arrêtez immédiatement de faire l'exercice et consultez votre médecin avant de continuer.
- Lors de l'exécution de tout exercice, maintenez toujours un rythme confortable. Ne sprintez pas à plus de 80 rotations par minute sur cette machine. Un exercice incorrect ou excessif peut nuire à votre santé.
- Pour garder l'équilibre, il est recommandé de tenir le guidon fermement pendant l'entraînement ainsi qu'en montant sur la machine ou en descendant.
- Ne tournez pas les bras de la pédale à la main.
- Assurez-vous que le guidon est bien fixé avant chaque utilisation.
- Gardez le dessus du support de pied propre et sec.
- Des précautions doivent être prises en montant sur l'équipement ou en descendant. Avant de monter ou de descendre, placez la pédale du côté montée ou descente dans sa position la plus basse et arrêtez complètement la machine.
- Ne portez pas de vêtements susceptibles de se coincer sur une partie quelconque de l'elliptique.
- Portez toujours des chaussures de sport lorsque vous utilisez cet équipement.
- Ne sautez pas sur l'elliptique.
- À aucun moment, plus d'une personne ne doit être sur l'elliptique pendant son fonctionnement.
- Cet elliptique est destiné à un usage domestique uniquement. N'utilisez pas cet elliptique dans un environnement commercial, locatif, scolaire ou institutionnel. Si vous ne vous conformez pas à ces instructions, la garantie sera annulée.
- N'utilisez pas l'elliptique dans un endroit où la température n'est pas contrôlée, comme par exemple, les garages, les vérandas, les salles de billard, les salles de bain, les abris de voiture ou à l'extérieur. Si vous ne vous conformez pas à ces instructions, la garantie sera annulée.
- Cet elliptique est conforme à la norme EN957-1/9, classe d'elliptique : HB ; le système de freinage est réglable.
- Pour éviter les chocs électriques, ne laissez jamais tomber ni n'insérez aucun objet dans une ouverture.
- Tenez le cordon d'alimentation à l'écart des surfaces chauffées. Ne transportez pas cet appareil en le tenant par son cordon d'alimentation et n'utilisez pas le cordon comme poignée.
- Débranchez toutes les sources d'alimentation avant de réparer ou de déplacer l'équipement. Pour nettoyer, frottez les surfaces avec du savon et un chiffon légèrement humide ; n'utilisez jamais de solvants. (Voir MAINTENANCE)
- N'utilisez pas d'autres accessoires non recommandés par le fabricant. Les accessoires peuvent causer des blessures.
- Ne l'utilisez pas lorsque des aérosols (sprays) sont utilisés ou lorsque de l'oxygène est administré.
- Utilisez l'elliptique uniquement comme décrit dans le guide de l'elliptique et le manuel de l'utilisateur.
- L'équipement doit être installé sur une base stable.



À aucun moment, les enfants de moins de 13 ans ne doivent s'approcher de l'elliptique à moins de 3 mètres.  
Les enfants de moins de 13 ans ne doivent à aucun moment utiliser l'elliptique.  
Les enfants de plus de 13 ans ou les personnes handicapées ne doivent pas utiliser l'elliptique sans la surveillance d'un adulte.



Il est essentiel que votre elliptique ne soit utilisé qu'à l'intérieur, dans une pièce climatisée. Si votre elliptique a été exposé à des températures plus froides ou à des climats très humides, il est fortement recommandé de réchauffer l'elliptique jusqu'à la température ambiante avant la première utilisation. Dans le cas contraire, cela peut entraîner une défaillance électronique prématurée.

## INSTRUCTIONS DE LA MISE À LA TERRE

En cas de dysfonctionnement ou de panne, la mise à la terre fournit un chemin de moindre résistance au courant électrique afin de réduire le risque de choc électrique. Ce produit est équipé d'un cordon muni d'un conducteur de mise à la terre de l'équipement et d'une prise de terre. La fiche doit être branchée dans une prise appropriée qui est correctement installée et mise à la terre conformément à tous les codes et règlements locaux.

Une mauvaise connexion du conducteur de mise à la terre de l'équipement peut entraîner un risque de choc électrique. Consultez un électricien qualifié ou un réparateur si vous avez des doutes quant à la mise à la terre du produit. Ne modifiez pas la fiche fournie avec le produit. Si elle ne correspond pas à la prise, faites installer une prise adéquate par un électricien qualifié.

### **AVERTISSEMENT**

Connectez ce produit d'exercice uniquement à une prise correctement mise à la terre.

N'utilisez jamais le produit avec un cordon ou une prise endommagé(e), même s'il fonctionne correctement. N'utilisez jamais le produit s'il semble endommagé ou s'il a été immergé dans l'eau. Contactez votre revendeur local pour un remplacement ou une réparation.



# FONCTIONNEMENT DE BASE



## FÉLICITATIONS POUR LE CHOIX DE VOTRE VÉLO ELLIPTIQUE !

Vous avez franchi une étape importante dans l'élaboration et le maintien d'un programme d'exercices ! Votre elliptique est un outil extrêmement efficace pour atteindre vos objectifs de fitness personnels. L'utilisation régulière de votre elliptique peut améliorer la qualité de votre vie à bien des égards.

Voici quelques-uns des bienfaits de l'exercice pour la santé :

- \* Perte de poids
- Un cœur plus sain
- Une amélioration du tonus musculaire
- Une augmentation des niveaux d'énergie quotidiens

La clé pour profiter de ces avantages est de développer une habitude d'exercice. Votre nouvel elliptique vous aidera à éliminer les obstacles qui vous empêchent de faire de l'exercice. Les intempéries et l'obscurité n'interfèrent pas avec votre entraînement lorsque vous utilisez votre elliptique dans le confort de votre maison. Ce guide vous fournit des informations de base pour utiliser et profiter de votre nouvelle machine.



## EMPLACEMENT DE L'ELLIPTIQUE

Placez l'elliptique sur une surface de niveau. Nous vous conseillons de prévoir un dégagement autour de votre vélo elliptique (voir guide). Ne placez pas l'elliptique dans un endroit où il serait susceptible de bloquer les ouvertures d'aération ou de ventilation.

## PUISSANCE

Votre elliptique est alimenté par une alimentation électrique. L'alimentation doit être branchée dans la prise d'alimentation située à l'avant de la machine, près du tube stabilisateur. Certains elliptiques ont un interrupteur d'alimentation, situé à côté de la prise d'alimentation. Assurez-vous qu'il est bien EN position.

REMARQUE : Certains elliptiques ont un interrupteur MARCHE / ARRÊT situé derrière la console.

## ⚠ AVERTISSEMENT

N'utilisez jamais le produit si son cordon ou sa fiche est endommagé(e), s'il ne fonctionne pas correctement, s'il a été endommagé ou s'il a été immergé dans l'eau. Veuillez contacter notre centre de service pour une assistance technique, une réparation ou de nouvelles pièces.

## POSITIONNEMENT DU PIED

Votre vélo elliptique offre une variété de positions de pied. Déplacer votre pied vers la position la plus en avant du cale-pied augmente la hauteur de votre pas, ce qui créera une sensation similaire à celle d'une machine de step. Placer votre pied vers l'arrière du cale-pied diminue la hauteur de votre pas et crée davantage une sensation de glisse, semblable à celle d'une marche ou d'une course en douceur. Assurez-vous toujours que tout votre pied est fixé sur le cale-pied.

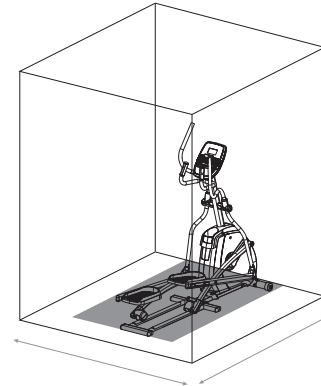
Votre vélo elliptique vous permet également de pédaler vers l'avant et vers l'arrière pour offrir une variation à votre entraînement et pour vous concentrer sur d'autres groupes musculaires importants des jambes tels que vos ischio-jambiers et vos mollets.

## OPTIONS D'ENTRAÎNEMENT



### ENTRAÎNEMENT DE LA TOTALITÉ DU CORPS

Pour un entraînement de la totalité du corps, poussez et tirez en continu sur les bras à double action tout en pédalant.



### ZONE D'ENTRAÎNEMENT

173 x 63,5 x 200 cm /  
68" x 25" x 78.7"

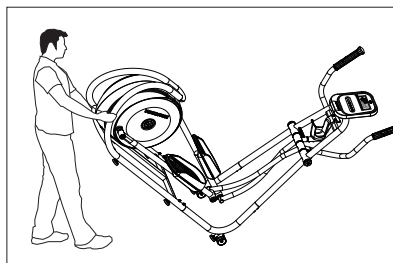
### ZONE LIBRE

418 x 247,5 x 300 cm /  
164,6" x 97,4" x 118"



## MONTER SUR L'ÉLLIPTIQUE

1. Placez-vous sur le flanc de l'elliptique à côté de la pédale la plus basse.
2. Tout en tenant les deux poignées fixes, placez votre pied sur la pédale la plus basse et tirez-vous vers le haut pour monter sur l'elliptique.
3. Attendez que l'elliptique cesse de bouger, puis placez votre autre pied sur la pédale opposée.



## DÉPLACEMENT DE L'ÉLLIPTIQUE

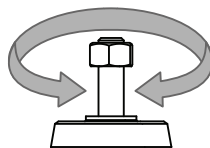
Votre elliptique est équipé d'une paire de roues de transport intégrées dans le tube stabilisateur avant. Pour le déplacer, retirez d'abord le bloc d'alimentation et saisissez fermement la partie en acier de la barre stabilisatrice arrière, inclinez-le et faites-le rouler avec précaution. REMARQUE : veillez à saisir la barre en acier et non le cache en plastique.

### AVERTISSEMENT

Nos elliptiques sont lourds ; prenez des précautions et demandez de l'aide supplémentaire si nécessaire quand vous les déplacez. Le non-respect de ces instructions peut entraîner des blessures.

## NIVELLEMENT DE L'ÉLLIPTIQUE

Votre elliptique doit être à niveau pour une utilisation optimale. Une fois que vous avez placé votre elliptique où vous souhaitez l'utiliser, soulevez ou abaissez un ou deux des pieds de nivellement réglables situés au bas du cadre. L'utilisation d'un niveau de menuisier est recommandée. Une fois que vous avez mis votre elliptique à niveau, verrouillez les niveleurs en place en serrant les écrous contre le cadre. \*REMARQUE : Certains elliptiques n'ont pas de niveleurs.



### RÉGLAGE HAUTEUR



## UTILISATION DE LA FONCTION FRÉQUENCE CARDIAQUE (HEART RATE)

Votre vélo elliptique peut être équipé de poignées de pouls ou d'un capteur de pouls. Pour connaître les caractéristiques de votre modèle, reportez-vous au début de la section D'ASSEMBLAGE de votre MANUEL DU PROPRIÉTAIRE.

La fonction de fréquence cardiaque sur ce produit n'est pas un appareil médical. Bien que les poignées de fréquence cardiaque ou un capteur de pouls au pouce puissent fournir une estimation relative de votre fréquence cardiaque réelle, elles ne doivent pas être utilisées lorsque des mesures précises sont nécessaires. Certaines personnes, y compris celles qui suivent un programme de réadaptation cardiaque, peuvent tirer avantage de l'utilisation d'un autre système de surveillance de la fréquence cardiaque, comme une ventrale ou une dragonne. Divers facteurs, y compris le mouvement de l'utilisateur, peuvent affecter la précision de la lecture de votre fréquence cardiaque. La lecture de la fréquence cardiaque est uniquement destinée à servir d'aide durant l'exercice pour déterminer les tendances du rythme cardiaque en général. Veuillez consulter votre médecin.

**Le système de surveillance de la fréquence cardiaque n'est disponible que sur Andes 2.0.**

### CAPTEUR DE POULS

Placez les paumes de vos mains directement sur les poignées du cardio-fréquencemètre. Vous devez saisir les barres avec les deux mains pour que votre fréquence cardiaque soit enregistrée. Il faut 5 battements cardiaques consécutifs (15 à 20 secondes) pour que votre fréquence cardiaque soit enregistrée. Lorsque vous saisissez le capteur du pouls, ne le tenez pas trop fermement. Tenir fermement les poignées peut faire augmenter votre tension artérielle. Maintenez une prise détendue et relâchée. La lecture peut être erronée si vous tenez les poignées du cardio-fréquencemètre trop fermement. Assurez-vous de nettoyer les capteurs de pulsations pour vous assurer le maintien d'un contact correct.

### CAUTION

N'appuyez pas trop fort sur le capteur car cela pourrait l'endommager.





## OUTILS NÉCESSAIRES :

- Clé en L de 8 mm
- Clé plate 13 / 17 mm
- Clé L / Tournevis 5 mm
- Tournevis (non inclus)

## PIÈCES INCLUSES :

- 1 châssis principal
- 1 tube stabilisateur
- 1 jeu de rails de guidage
- 1 mât de console
- 2 bras de pédale
- 2 guidons inférieurs
- 2 guidons supérieurs
- 2 ensembles de caches de guidon
- 2 bras de liaison inférieurs avec repose-pieds
- 1 pièce de capuchon supérieur avant
- 1 pièce de capuchon supérieur arrière
- 1 console
- 1 câble adaptateur audio
- 1 cordon d'alimentation
- 1 kit de matériel

## PRÉ-ASSEMBLAGE

### DÉBALLAGE

Déballer le produit à l'endroit où vous allez l'utiliser. Placez le carton de l'elliptique sur une surface plane et de niveau. Il est recommandé de placer un revêtement de protection sur votre sol. N'ouvrez jamais la boîte lorsqu'elle est sur le côté.



### AVERTISSEMENT

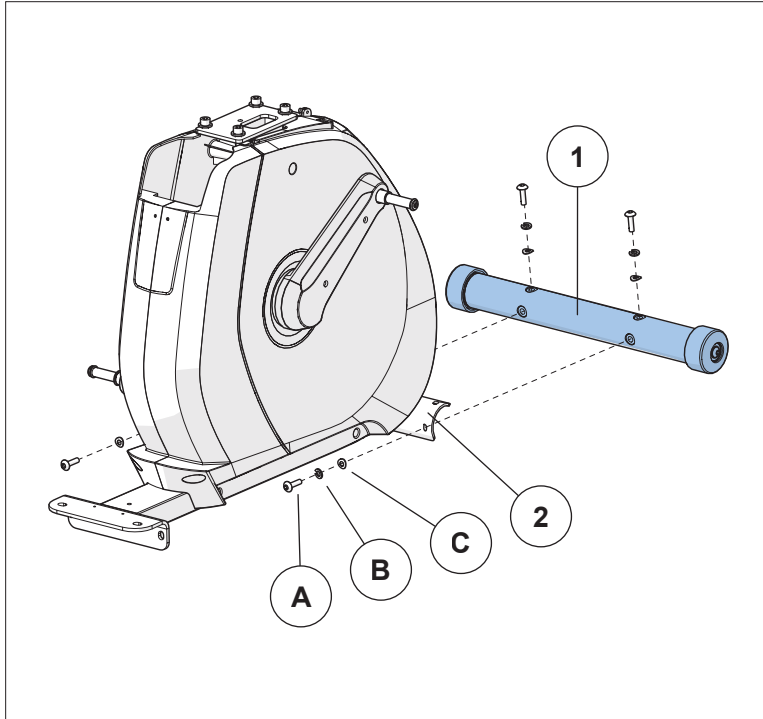
- Il est recommandé que deux personnes travaillent ensemble pour plus de facilité et d'efficacité lors de l'assemblage d'un vélo elliptique.
- Lors de chaque étape d'assemblage, assurez-vous que TOUS les écrous et boulons sont en place et partiellement filetés. Il est recommandé de terminer le montage complet de votre appareil avant de serrer complètement UN boulon.
- Plusieurs pièces ont été pré-lubrifiées pour faciliter l'assemblage et l'utilisation. Veuillez ne pas enlever la lubrification. Si vous avez des difficultés, une légère application de graisse au lithium pour vélo est recommandée.

### BESOIN D'AIDE ?

Si vous avez des questions ou si des pièces sont manquantes, veuillez vous référer à l'autocollant de sécurité sur le produit pour contacter le support technique client.



## ASSEMBLAGE ÉTAPE 1

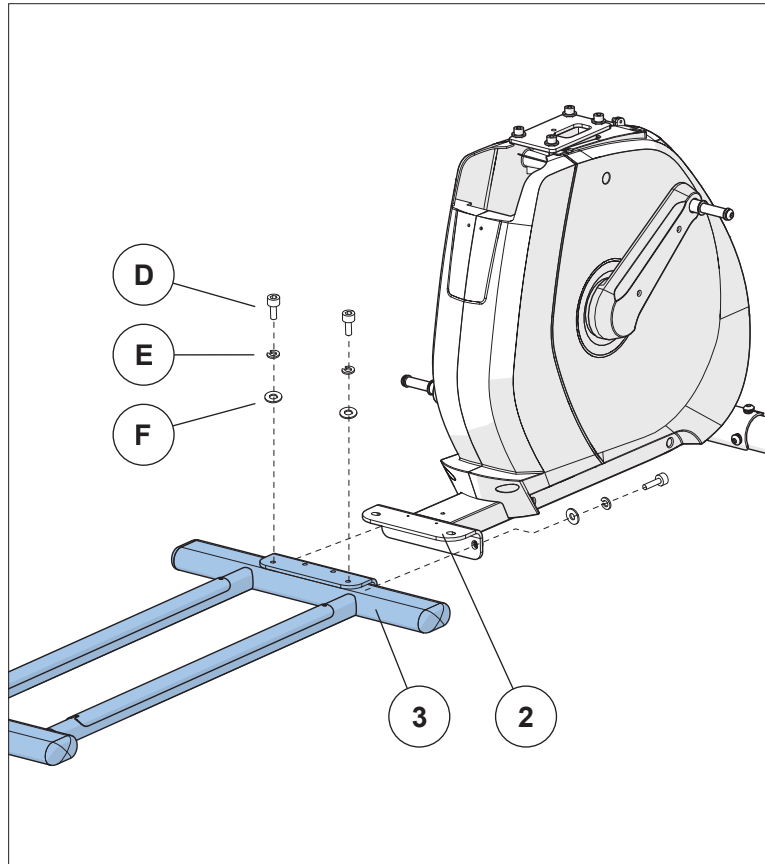


### MATÉRIEL POUR L'ÉTAPE 1

PIÈCE	TYPE	DESCRIPTION	QT2
A	BOULON À TÊTE RONDE	M8X1.25PX30L	4
B	RONDELLE ÉLASTIQUE	8.2X15.4X2.0T	4
C	RONDELLE EN ARC	8.4X17.0X1.0T	4

- A Ouverture du **MATÉRIEL POUR L'ÉTAPE 1**.
- B Fixez le **TUBE STABILISATEUR (1)** au **CADRE PRINCIPAL (2)** à l'aide de 2 **BOULONS (A)**, 2 **RONDELLES ÉLASTIQUES (B)** et 2 **RONDELLES EN ARC (C)** de chaque côté.

## ASSEMBLAGE ÉTAPE 2



### MATÉRIEL POUR L'ÉTAPE 2

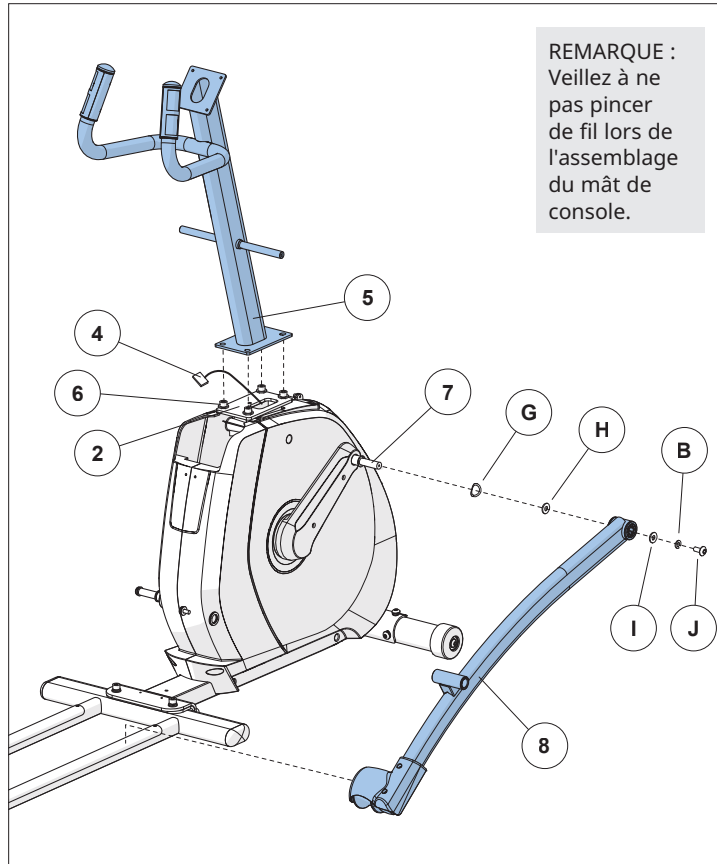
PIÈCE	TYPE	DESCRIPTION	QT2
D	BOULON À TÊTE CREUSE	M10X1.5PX20L	4
E	RONDELLE ÉLASTIQUE	10.2X18.4X2.5T	4
F	RONDELLE PLATE	10.2X20.0X1.5T	4

- A Ouverture du **MATÉRIEL POUR L'ÉTAPE 2**.
- B Alignez le **JEU DE RAILS DE GUIDAGE (3)** avec le **CADRE PRINCIPAL (2)** comme illustré.
- C Fixez le **JEU DE RAILS DE GUIDAGE (3)** au **CADRE PRINCIPAL (2)** à l'aide de 4 **BOULONS (D)**, 4 **RONDELLES ÉLASTIQUES (E)** et 4 **RONDELLES PLATES (F)**.





## ASSEMBLAGE ÉTAPE 3



REMARQUE :  
Veillez à ne pas pincer de fil lors de l'assemblage du mât de console.

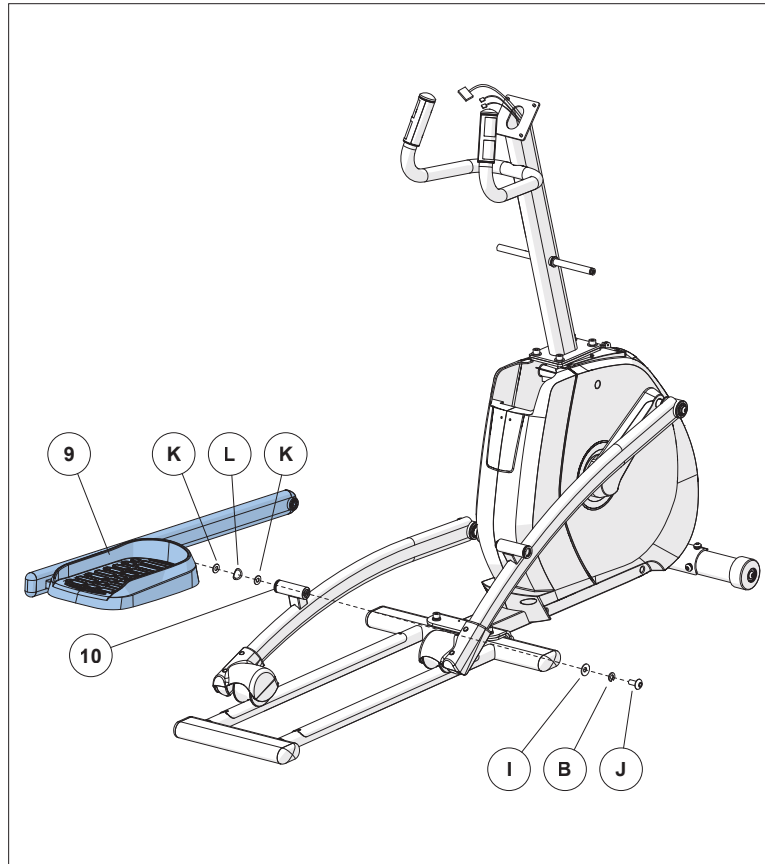
### MATÉRIEL POUR L'ÉTAPE 3

PIÈCE	TYPE	DESCRIPTION	QT2
G	RONDELLE ONDULÉE	17.2X22.5X0.5T	2
H	RONDELLE PLATE	16.0X25.0X1.0T	2
I	RONDELLE PLATE	8.2X30.0X1.5T	2
B	RONDELLE ÉLASTIQUE	8.2X15.4X2.0T	2
J	BOULON À TÊTE RONDE	M8X1.25PX15L	2

- A Ouverture du **MATÉRIEL POUR L'ÉTAPE 3**.
- B Retirez les **BOULONS ET RONDELLES PRÉINSTALLÉS (6)** du **CADRE PRINCIPAL (2)**.
- C Tirez avec précaution le **CÂBLE DE CONSOLE (4)** à travers le **MÂT DE CONSOLE (5)** à l'aide de l'attache torsadée située à l'intérieur du **MÂT DE CONSOLE (5)**.
- D Fixez le **MÂT DE CONSOLE (5)** au **CADRE PRINCIPAL (2)** à l'aide des **BOULONS ET RONDELLES PRÉINSTALLÉS (6)**.
- E Glissez la **RONDELLE ONDULÉE (G)** et la **RONDELLE PLATE (H)** sur la **MANIVELLE (7)** puis le **BRAS DE PÉDALE (8)** comme illustré. Posez la roue du bras de pédale sur le rail de guidage.
- F Fixez le **BRAS DE PÉDALE (8)** à la **MANIVELLE (7)** à l'aide d'1 **RONDELLE PLATE (I)**, 1 **RONDELLE ÉLASTIQUE (B)** et 1 **BOULON (J)**.
- G Répétez les étapes de E à F de l'autre côté de l'elliptique.



## ASSEMBLAGE ÉTAPE 4



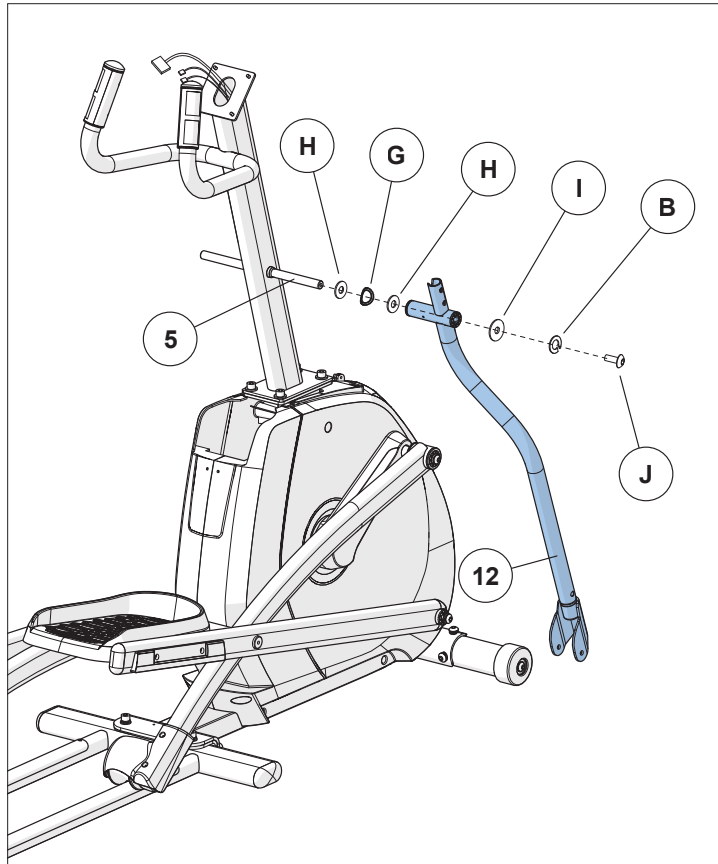
MATÉRIEL POUR L'ÉTAPE 4			
PIÈCE	TYPE	DESCRIPTION	QT2
K	RONDELLE PLATE	20.2X27.2X1.5T	4
L	RONDELLE ONDULÉE	20.7X29.1X0.5T	2
I	RONDELLE PLATE	8.2X20.0X1.5T	2
B	RONDELLE ÉLASTIQUE	8.2X15.4X2.0T	2
J	BOULON À TÊTE RONDE	M8X1.25PX20L	2



- A Ouverture du **MATÉRIEL POUR L'ÉTAPE 4**.
- B Glissez 1 **RONDELLE PLATE (K)**, 1 **RONDELLE ONDULÉE (L)** et une autre **RONDELLE PLATE (K)** sur le **BRAS DE LIAISON INFÉRIEUR (9)**
- C Glissez le **BRAS DE LIAISON INFÉRIEUR (9)** dans le **SUPPORT DE BRAS DE PÉDALE (10)**.
- D Fixez le **BRAS DE LIAISON INFÉRIEUR (9)** au **SUPPORT DE BRAS DE PÉDALE (10)** à l'aide d'1 **RONDELLE PLATE (I)**, 1 **RONDELLE ÉLASTIQUE (B)** et 1 **BOULON (J)**.
- E Répétez les étapes de B à D de l'autre côté de l'elliptique.



## ASSEMBLAGE ÉTAPE 5

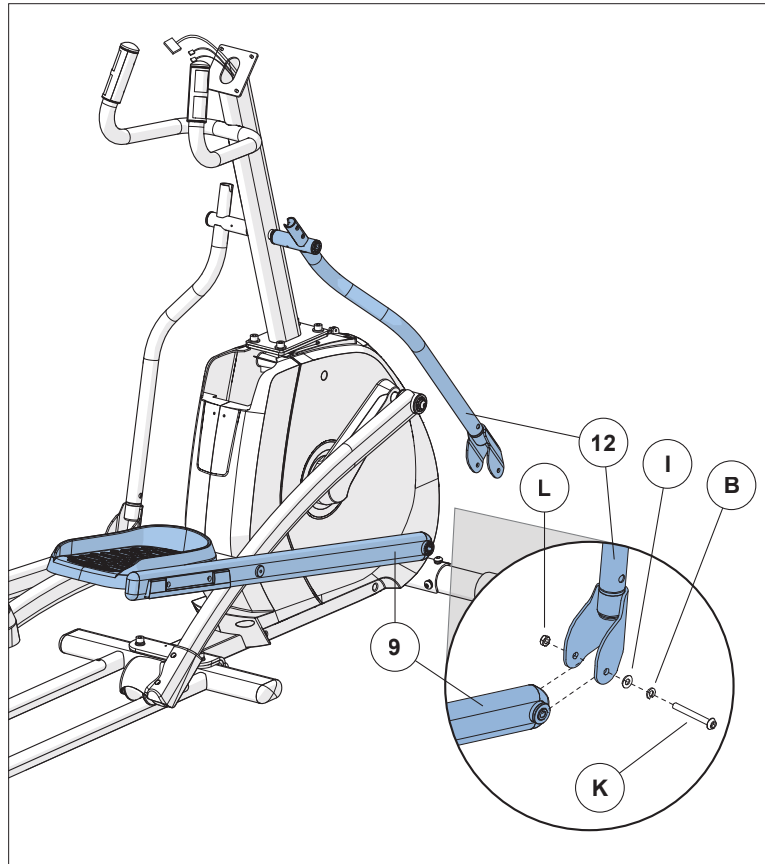


### MATÉRIEL POUR L'ÉTAPE 5

PIÈCE	TYPE	DESCRIPTION	QT2
G	RONDELLE ONDULÉE	17.2X22.5X0.5T	2
H	RONDELLE PLATE	16.0X25.0X1.0T	4
I	RONDELLE PLATE	8.2X30.0X1.5T	2
B	RONDELLE ÉLASTIQUE	8.2X15.4X2.0T	2
J	BOULON À TÊTE RONDE	M8X1.25PX20L	2

- A Ouverture du **MATÉRIEL POUR L'ÉTAPE 6**.
- B Glissez 1 **RONDELLE PLATE (H)**, 1 **RONDELLE ONDULÉE (G)** et 1 **RONDELLE PLATE (H)** sur le **MÂT DE CONSOLE (5)**.
- C Glissez le **GUIDON INFÉRIEUR (12)** sur le **MÂT DE CONSOLE (5)** et fixez-le à l'aide d'1 **RONDELLE PLATE (I)**, 1 **RONDELLE ÉLASTIQUE (B)** et 1 **BOULON (J)**.
- D Répétez les étapes de B à C de l'autre côté.

## ASSEMBLAGE ÉTAPE 6



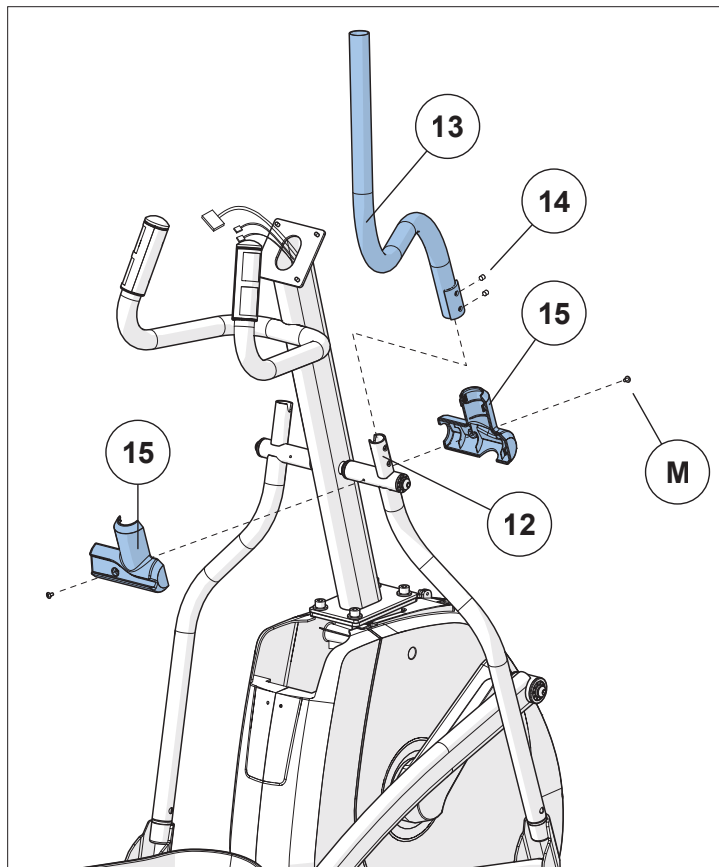
MATÉRIEL POUR L'ÉTAPE 6			
PIÈCE	TYPE	DESCRIPTION	QT2
K	BOULON	M8X1.25PX70L-12L	2
B	RONDELLE ÉLASTIQUE	8.2X15.4X2.0T	2
I	RONDELLE PLATE	8.2X20.0X1.5T	2
L	ÉCROU	M8X1.25P	2

- A Ouvrez le **SAC DE VISSERIE 6**.
- B Glissez le **BRAS DE LIAISON INFÉRIEUR (9)** dans l'extrémité inférieure du **GUIDON INFÉRIEUR (12)**.
- C Fixez le joint avec 1 **BOULON (K)**, 1 **RONDELLE ÉLASTIQUE (B)**, 1 **RONDELLE PLATE (I)** et 1 **ÉCROU (L)**
- D Répétez les étapes de B à C de l'autre côté de l'elliptique.





## ASSEMBLAGE ÉTAPE 6



### MATÉRIEL POUR L'ÉTAPE 7

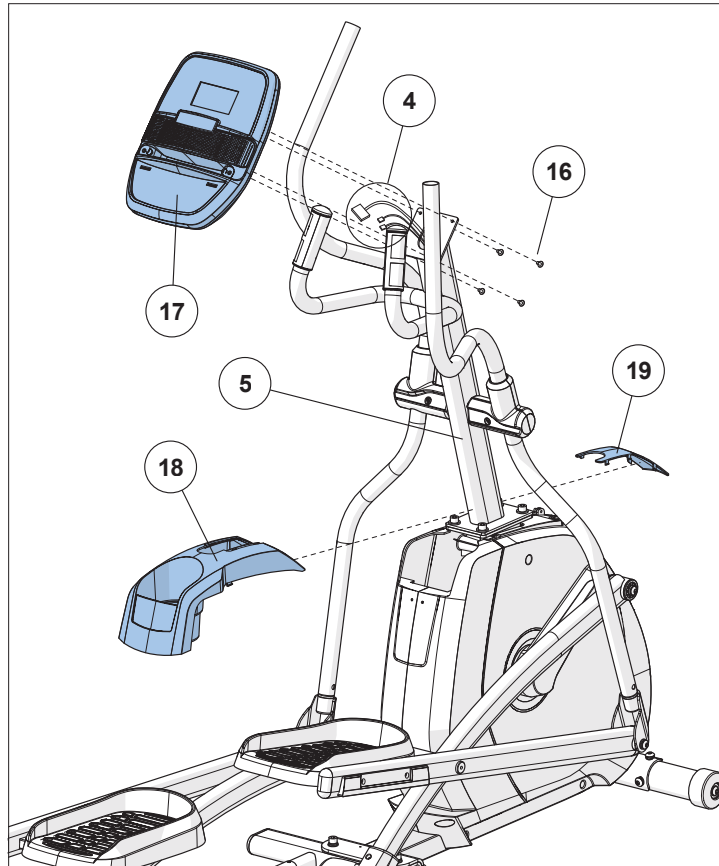
PIÈCE	TYPE	DESCRIPTION	QT2
M	VIS	M4X0.7PX8L	4

- A Ouvrez le **SAC DE VISSERIE 7**.
- B Glissez le **GUIDON SUPÉRIEUR (13)** droit (R) sur le **GUIDON INFÉRIEUR (12)** droit en vous assurant que les guidons sont complètement assemblés. Fixez le **GUIDON SUPÉRIEUR (13)** au **GUIDON INFÉRIEUR (12)** à l'aide des **VIS DE RÉGLAGE PRÉ-FIXÉES (14)**.
- C Glissez les **CACHES DE GUIDON (15)** droits (R) sur le **GUIDON SUPÉRIEUR (13)** et fixez-les à l'aide d'une **VIS (M)**.

**REMARQUE :** Assurez-vous que le guidon supérieur est aussi bas que possible. Le guidon peut être endommagé s'il n'est pas correctement fixé.

- D Répétez les ÉTAPES DE B À C de l'autre côté.

## ASSEMBLAGE ÉTAPE 8



REMARQUE : Tout le matériel pour cette étape est préinstallé.

- A Retirez les 4 **BOULONS PRÉINSTALLÉS (16)** de la **CONSOLE (17)**.
- B Fixez les **CÂBLES DE CONSOLE (4)** à la **CONSOLE (17)**.
- C Rentrez soigneusement les **CÂBLES DE CONSOLE (4)** dans le **MÂT DE CONSOLE (5)** avant de fixer la **CONSOLE (17)** au **MÂT DE CONSOLE (5)** à l'aide de 4 **BOULONS PRÉINSTALLÉS (16)**.

REMARQUE :

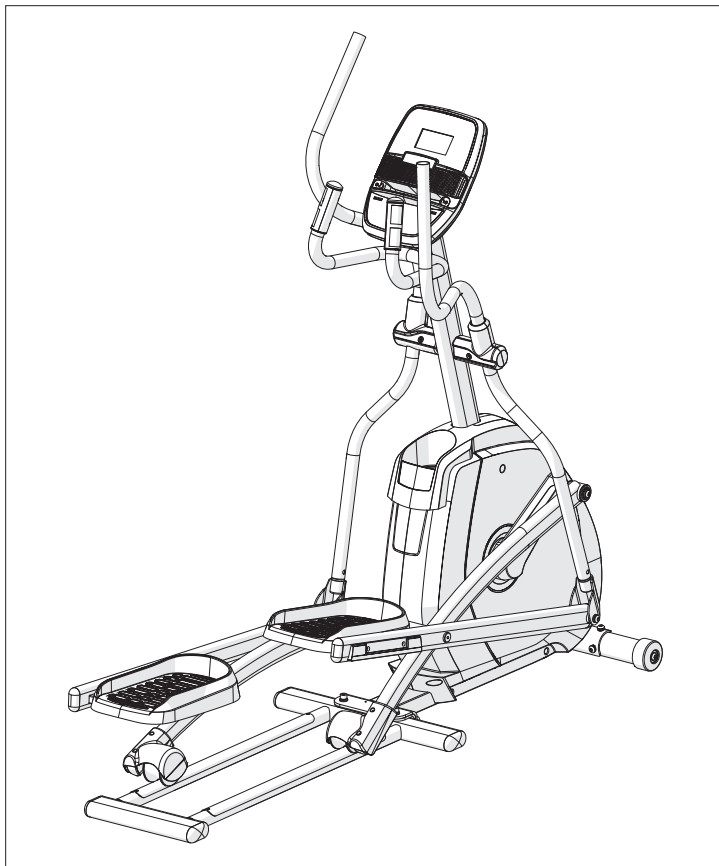
Ne pincez pas de fil lors de la fixation de la console.

- D Glissez le **CAPUCHON SUPÉRIEUR AVANT (18)** et le **CAPUCHON SUPÉRIEUR ARRIÈRE (19)** sur le **MÂT DE CONSOLE (5)** et calez-le en place.





## ASSEMBLAGE ÉTAPE 9



**L'ASSEMBLAGE EST TERMINÉ !**

Andes 2.0 / EX59

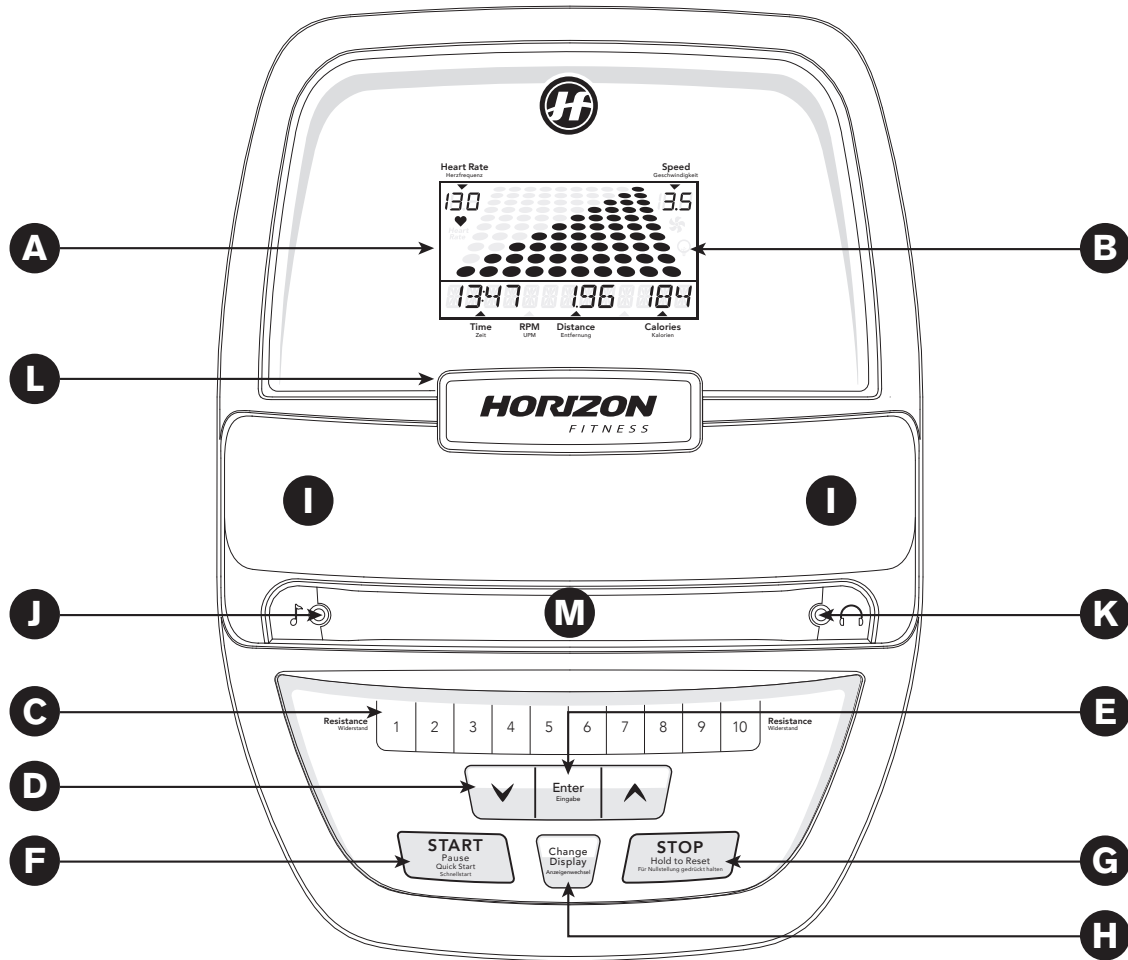
Poids d'utilisateur max. : 136 kg / 300 lbs.

Dimensions hors-tout : 173 x 63,5 x 162,5 cm / 68" x 25" x 64"

# FONCTIONNEMENT DE L'ELLIPTIQUE



Cette section explique comment utiliser la console et la programmation de votre elliptique.  
Pour le FONCTIONNEMENT DE BASE, veuillez consulter le GUIDE DE L'ELLIPTIQUE.



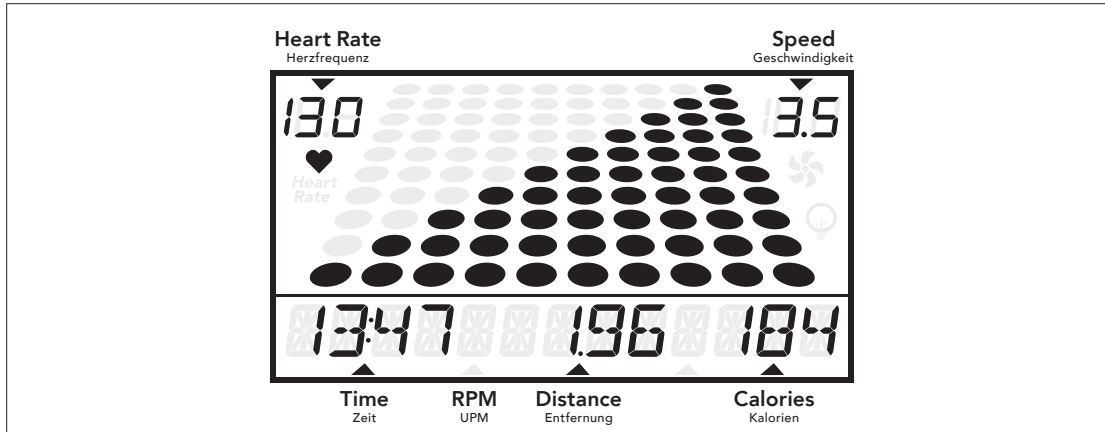


## FONCTIONNEMENT DE LA CONSOLE

Remarque : Il y a une mince feuille protectrice de plastique transparent sur le revêtement de la console qui doit être retirée avant utilisation.



- A) **FENÊTRE D’AFFICHAGE LCD** : temps, tr / min, distance, calories, fréquence cardiaque, vitesse
- B) **INDICATEUR D’ÉCONOMIE D’ÉNERGIE** : indique si la machine est en mode d’économie d’énergie.
- C) **TOUCHES RAPIDES** : permettent d’atteindre rapidement la résistance souhaitée.
- D) **↙↗ TOUCHE** : Sert à ajuster le niveau de résistance et à parcourir les sélections pendant la configuration du programme.
- E) **ENTER** : sert à confirmer la sélection.
- F) **START / PAUSE** : sert à démarrer l’entraînement, suspendre l’entraînement et redémarrer après la pause.
- G) **STOP / MAINTENIR POUR RÉINITIALISER** : sert à arrêter la machine et réinitialise également la machine lorsqu’elle est maintenue enfoncée.
- H) **CHANGEMENT D’AFFICHAGE** : sert à changer le retour de l’affichage pendant l’entraînement.
- I) **HAUT-PARLEURS** : écoutez de la musique via les haut-parleurs lorsque vous êtes connecté à votre lecteur multimédia.
- J) **PRISE D’ENTRÉE AUDIO** : branchez votre lecteur multimédias sur la console à l’aide du câble adaptateur audio fourni.
- K) **PRISE DE SORTIE AUDIO** : sert à brancher vos écouteurs dans la console pour les utiliser pendant l’entraînement.
- L) **SUPPORT DE LECTURE** : permet de poser du matériel de lecture.
- M) **POCHE DE RANGEMENT** : sert à poser des objets personnels, comme une petite télécommande de télévision, un téléphone portable ou un lecteur multimédia.



## FENÊTRES D'AFFICHAGE

- **LCD RÉTROÉCLAIRÉ BLEU** : Andes 2.0 uniquement
- **TEMPS** Représenté en minutes : secondes. Affichez le temps restant ou le temps écoulé dans votre entraînement.
- **DISTANCE** : Représenté en miles. Indique la distance parcourue restante pendant votre entraînement.
- **CALORIES** : Total des calories brûlées ou restantes pour votre entraînement.
- **TPM** : Révolutions par minute.
- **VITESSE** : Représenté en MPH (miles par heure). Indique la vitesse de déplacement des coussinets de pieds.
- **FRÉQUENCE CARDIAQUE** : Représentée en BPM (battements par minute). Sert à surveiller votre fréquence cardiaque (s'affiche lorsque le contact est établi avec les deux capteurs de pouls).
- **PROFILS DE PROGRAMME** : Représente le profil du programme utilisé.
- **ÉCONOMISEUR D'ÉNERGIE** : Indique lorsque la machine est en mode d'économie d'énergie pour économiser la consommation d'énergie.

## GUIDE DE DÉMARRAGE

- 1) Assurez-vous qu'aucun objet à proximité ne gênera le mouvement de l'elliptique.
- 2) Branchez le cordon d'alimentation pour allumer l'elliptique. (L'interrupteur est situé en bas à l'avant de l'elliptique.)
- 3) Définissez le poids de l'utilisateur à l'aide de ▼▲ et appuyez sur ENTER.
- 4) Vous avez les options suivantes pour commencer votre entraînement :

### A) DÉMARRAGE RAPIDE

Il suffit d'appuyer sur GO pour commencer à s'entraîner. Le temps, la distance et les calories commenceront à être comptés à partir de zéro. Le niveau de résistance passera par défaut au niveau 1.

### B) SÉLECTIONNER UN PROGRAMME

- 1) Utilisez ▼▲ pour faire défiler les programmes.
- 2) Appuyez sur ENTER pour sélectionner le programme souhaité.
- 3) Définissez le niveau d'entraînement à l'aide de ▼▲ et appuyez sur ENTER.
- 4) Appuyez sur START pour commencer la séance d'entraînement.

REMARQUE : Vous pouvez ajuster le niveau de résistance pendant votre entraînement.

## FIN DE VOTRE ENTRAÎNEMENT

Lorsque votre entraînement est terminé, la console affichera « entraînement terminé » et émettra un bip. Les informations de votre entraînement resteront affichées sur la console pendant 30 secondes, puis réinitialisées.

## POUR RÉINITIALISER LA CONSOLE

Maintenez la touche STOP pendant 3 secondes.

## POUR EFFACER LA SÉLECTION EN COURS

Pour effacer la sélection de programme ou l'écran en cours, maintenez le bouton d'arrêt enfoncé pendant 3 secondes.





## INFORMATIONS SUR LE PROGRAMME

**MANUEL** : Réglez votre niveau de résistance manuellement pendant votre entraînement.

**PERTE DE POIDS** : Favorise la perte de poids en augmentant et diminuant le niveau de résistance, tout en vous maintenant dans votre zone de combustion des graisses. Programme basé sur le temps avec 10 niveaux au choix.

**PERTE DE POIDS PLUS** : Favorise la perte de poids en augmentant et diminuant le niveau de résistance, tout en vous maintenant dans votre zone de combustion des graisses. Programme basé sur le temps avec 5 niveaux au choix et une intensité plus élevée que le programme de perte de poids.

**INTERVALLES** : Améliore votre force, votre vitesse et votre endurance en augmentant et en abaissant les niveaux de résistance tout au long de votre entraînement pour impliquer à la fois votre cœur et vos muscles. Programme basé sur le temps avec 10 niveaux au choix.

**INTERVALLES PLUS** : Améliore votre force, votre vitesse et votre endurance en augmentant et en abaissant les niveaux de résistance tout au long de votre entraînement pour impliquer à la fois votre cœur et vos muscles. Programme basé sur le temps avec 5 niveaux au choix et une intensité plus élevée que le programme d'intervalles.

**ROULEMENT** : Imiter la sensation de monter et descendre des collines en augmentant et en diminuant progressivement la résistance. Programme basé sur le temps avec 7 niveaux au choix.

**TRAIN INVERSÉ** : Le programme vous invite à pédaler vers l'avant (F) et vers l'arrière (R) pour un entraînement passionnant et stimulant.

**ALÉATOIRE** : Fournit encore plus de variété d'entraînement en mélangeant vos niveaux de résistance. Programme basé sur le temps avec 7 niveaux au choix.

**OBJECTIF EN CALORIES** : Vous permet de définir le nombre de calories que vous souhaitez brûler. L'objectif calorique peut varier de 100 à 999 calories. Les calories seront décomptées. L'utilisateur saisit le poids et définit la résistance de démarrage. Les calories brûlées sont calculées en utilisant le poids saisi avec la vitesse et de l'entraînement.

## UTILISATION DE VOTRE LECTEUR MULTIMÉDIA



- 1) Connectez le CÂBLE DE L'ADAPTATEUR AUDIO fourni à la PRISE D'ENTRÉE AUDIO située à gauche de la console et à la prise de casque de votre lecteur multimédia.
- 2) Utilisez les boutons de votre lecteur multimédia pour régler les paramètres de la chanson.
- 3) Retirez le CÂBLE DE L'ADAPTATEUR AUDIO lorsque vous ne l'utilisez pas.



## ÉCONOMISEUR D'ÉNERGIE (MODE VEILLE)

Cette machine a une fonction spéciale appelée mode Energy Saver™. Ce mode n'est PAS activé automatiquement. Lorsque le mode Économie d'énergie est activé, l'écran passe automatiquement en mode veille (mode Économie d'énergie) après 15 minutes d'inactivité. Cette fonctionnalité permet d'économiser de l'énergie en désactivant la majeure partie du courant de la machine jusqu'à ce qu'une touche soit enfoncée sur la console. Cette fonctionnalité peut être activée ou désactivée dans le menu d'ingénierie.

Pour entrer dans le menu d'ingénierie, appuyez et maintenez enfoncées la touche **▲** et la touche **▼** pendant 3-5 secondes. Utilisez les touches **▼▲** pour naviguer dans le menu jusqu'à ENG 2. Appuyez sur **ENTER** pour sélectionner. Utilisez les touches **▼▲** pour sélectionner ENRGY SVE ON ou OFF. Appuyez sur **STOP** et maintenez-le enfoncé pendant 3 à 5 secondes pour quitter ENG 2. Appuyez à nouveau sur **STOP** pendant 3 à 5 secondes pour quitter le menu d'ingénierie.

**EN : Waste Disposal**

VISION Fitness / HORIZON Fitness / TEMPO Fitness / TREO Fitness products are recyclable. At the end of its useful life please dispose of this article correctly and safely (local refuse sites).

**DE : Entsorgungshinweis**

Die Produkte VISION Fitness/HORIZON Fitness/TEMPO Fitness/TREO Fitness sind recycelbar. Führen Sie das Gerät am Ende der Nutzungsdauer einer sachgerechten Entsorgung zu (örtliche Sammelstelle).

**NL : Verwijderingsaanwijzing**

VISION Fitness / HORIZON Fitness / TEMPO Fitness / TREO Fitness producten zijn recyclebaar. Breng het apparaat aan het einde van de gebruiksduur naar een in recycling gespecialiseerd bedrijf (plaatselijk verzamelpunt).

**FR : Remarque relative à la gestion des déchets**

Les produits VISION Fitness / HORIZON Fitness / TEMPO Fitness / TREO Fitness sont recyclables. Lorsque cet appareil arrive en fin de vie, veuillez l'éliminer de manière correcte et en toute sécurité en le déposant dans une déchetterie communale.

**IT : Indicazione sullo smaltimento**

I prodotti VISION Fitness / HORIZON Fitness / TEMPO Fitness / TREO Fitness sono riciclabili. Quando l'apparecchio non servirà più, portarlo in un apposito punto di raccolta della propria città (punti di raccolta comunali).

**ES : Gestión de residuos**

Los productos de VISION Fitness / HORIZON Fitness / TEMPO Fitness / TREO Fitness son reciclables. Cuando se termine su vida útil, por favor deshágase de este artículo de forma correcta y segura en un punto limpio.

**PT (Br) : Descarte**

Os produtos VISION Fitness / HORIZON Fitness / TEMPO Fitness / TREO Fitness são recicláveis. No final de sua vida útil, descarte este equipamento corretamente e com segurança (sites de locais de lixo).

**ZH trad : 廢棄物處理**

VISION Fitness / HORIZON Fitness / TEMPO Fitness / TREO Fitness 產品為可回收產品。產品的使用年限期滿後，請依照正確且安全的方式處理本廢棄商品 (當地的廢棄場)。

**ZH simp. : 废弃物处理**

VISION Fitness / HORIZON Fitness / TEMPO Fitness / TREO Fitness 产品是可回收利用的。在其使用期结束后，请正确安全地 (在本地垃圾处理场) 处理本品。





