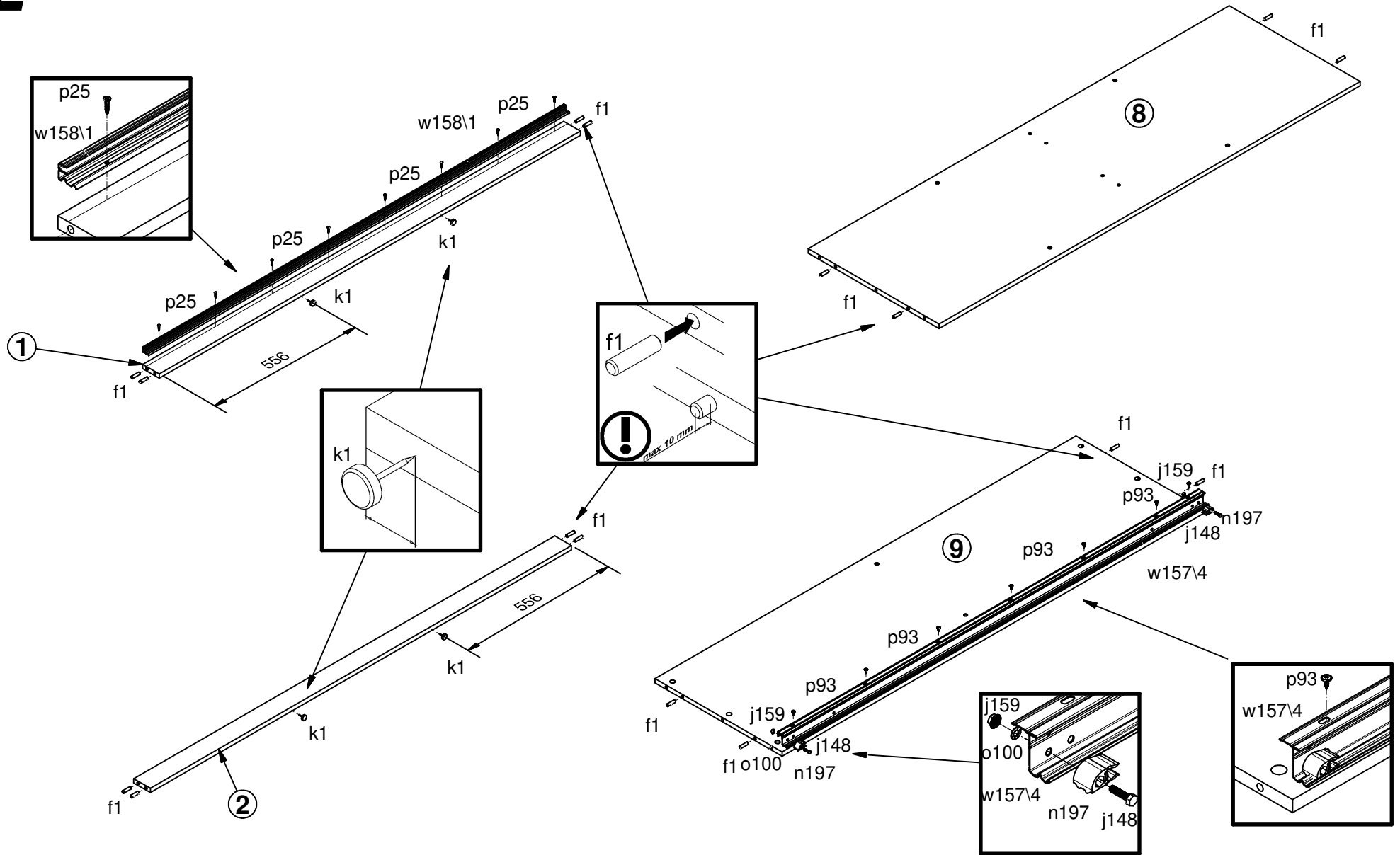


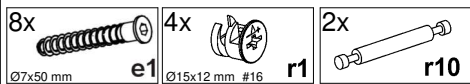
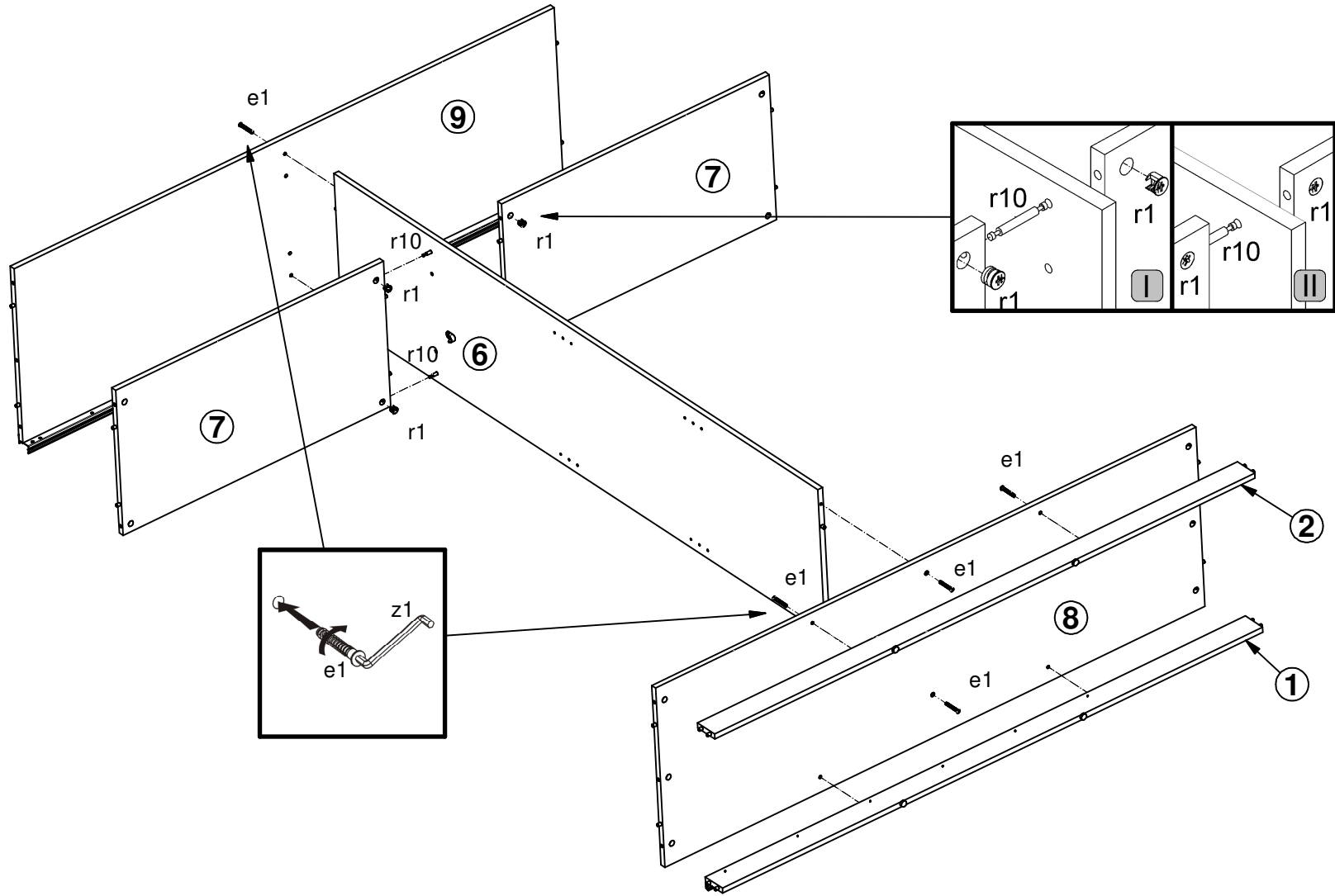
- 12x
Ø8x30 mm
f1
- 2x
f58
- 4x
k1
- 4x
h=22mm
n1
- 4x
Ø3.5x25 mm
p16
- 4x
Ø3.5x16 mm
p25
- 16x
20/11
r42

2

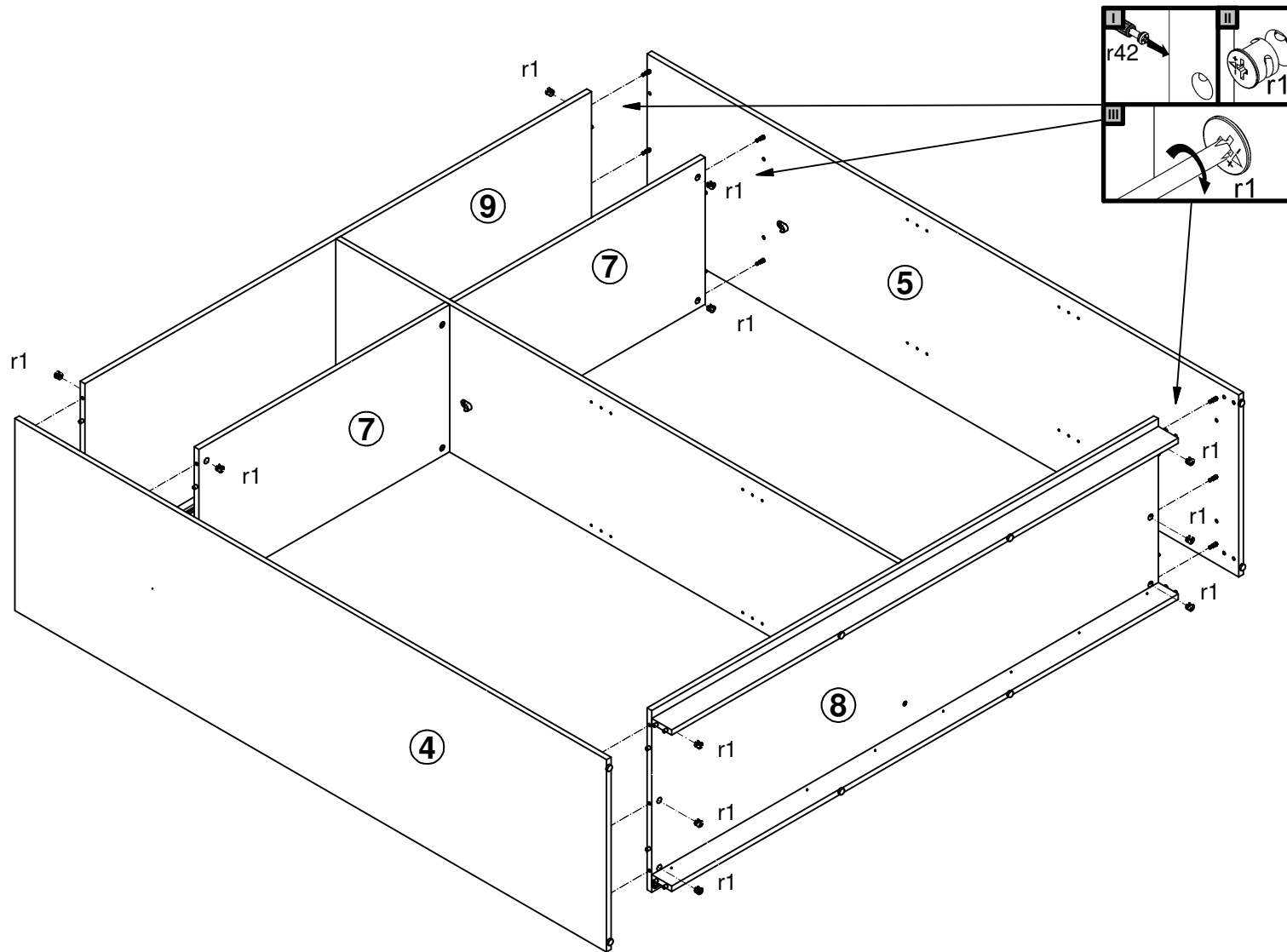


- | | | | | | | | | | |
|-----------------------|----------|------------|------------------------|------------------|----------------------|-------------------------|-----------------------|--------------------------|-------------------------|
| 16x
Ø8x30 mm
f1 | 4x
k1 | 2x
n197 | 2x
M5x20 mm
j148 | 2x
M5
j159 | 2x
Ø5xØ10
o100 | 8x
Ø3.5x16 mm
p25 | 7x
Ø4x13 mm
p93 | 1x
L-1668 mm
w1574 | 1x
L-1668mm
w1584 |
|-----------------------|----------|------------|------------------------|------------------|----------------------|-------------------------|-----------------------|--------------------------|-------------------------|

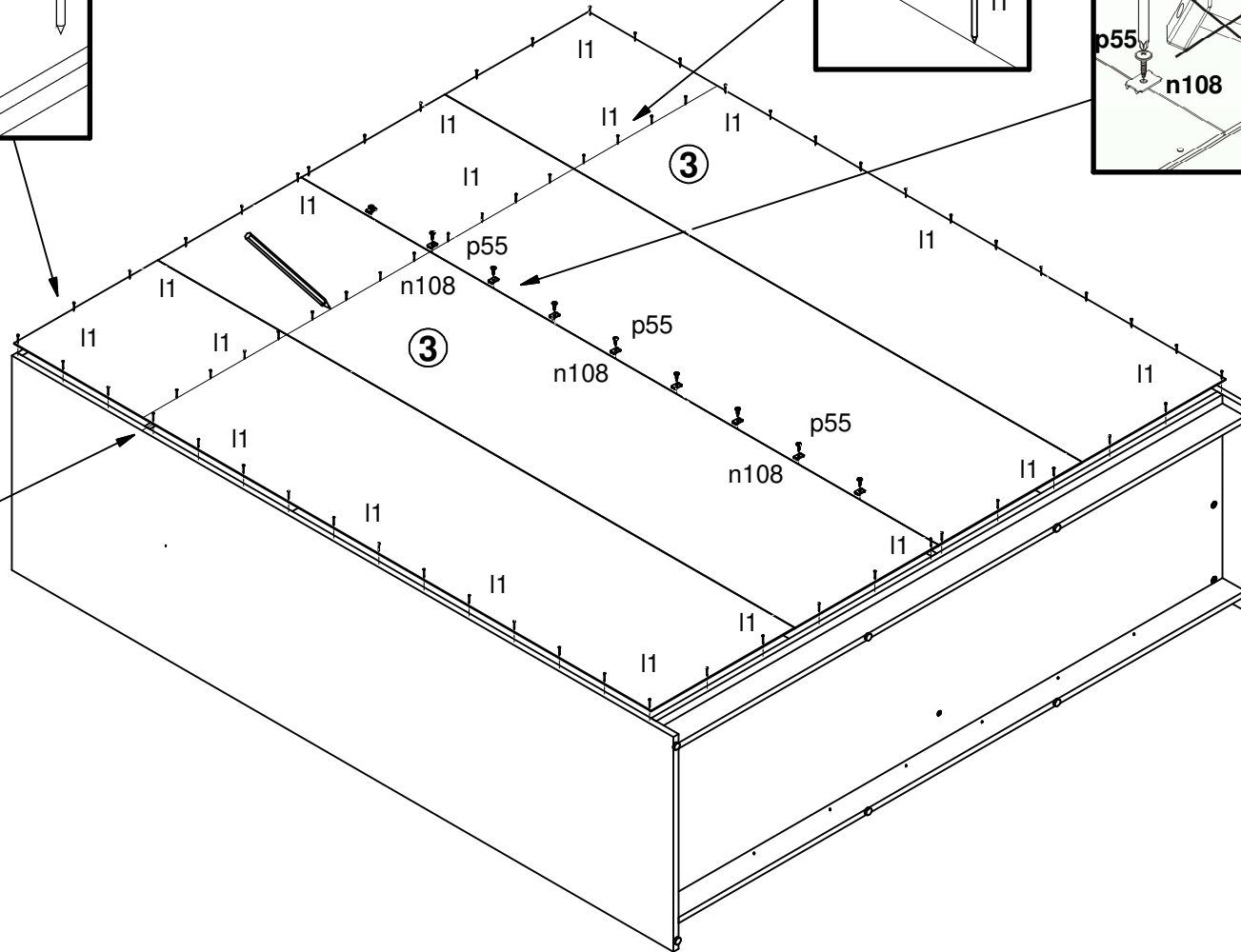
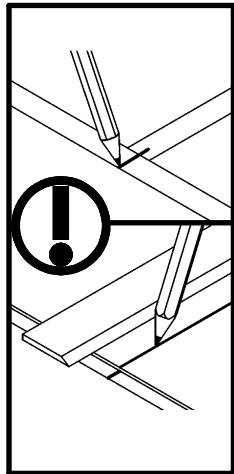
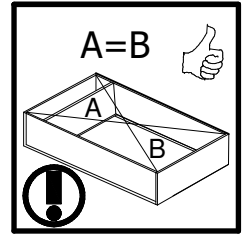
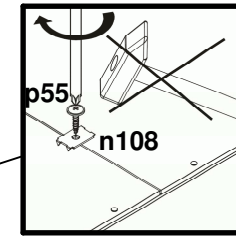
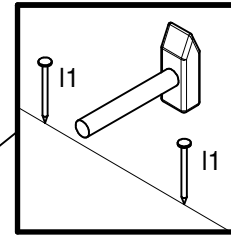
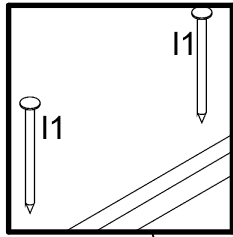
3




4

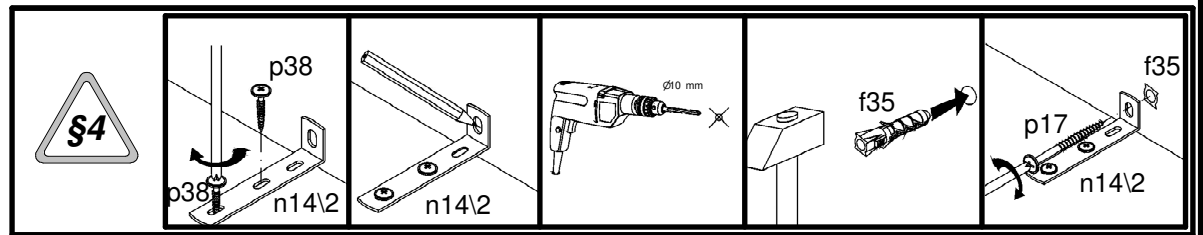
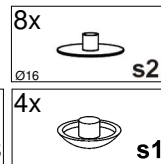
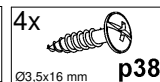
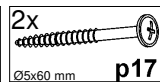
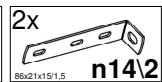
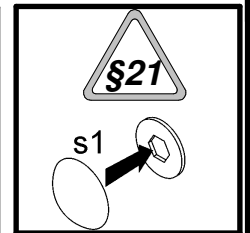
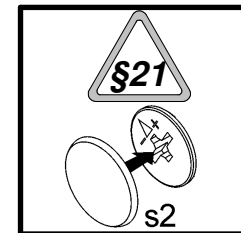
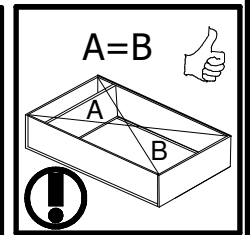
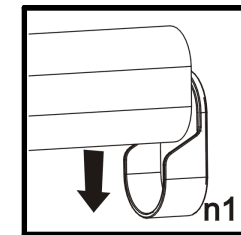
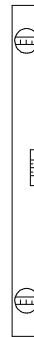
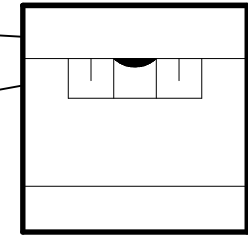
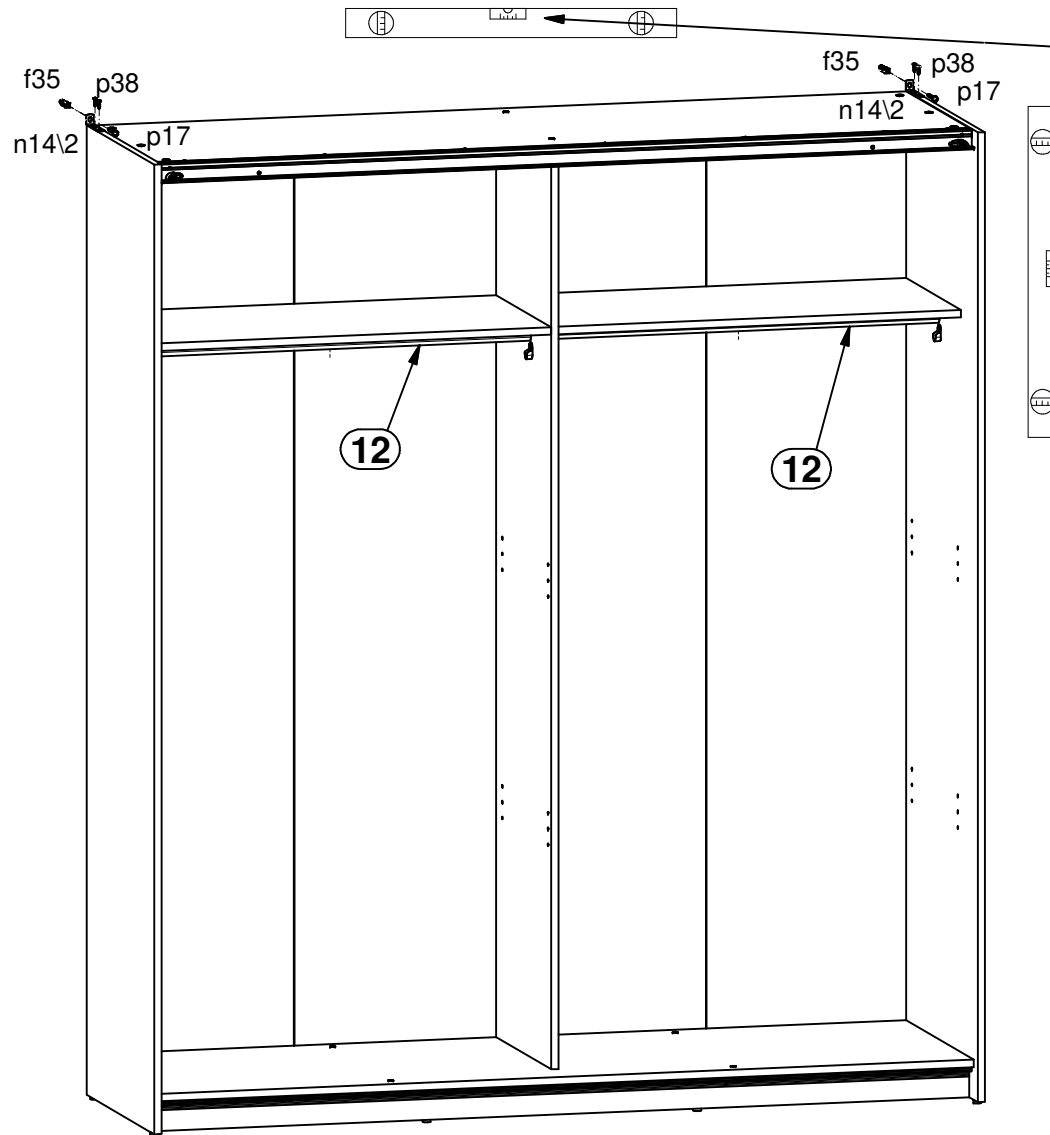


5

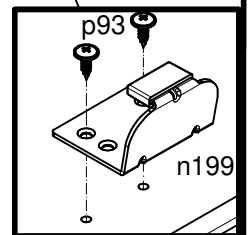
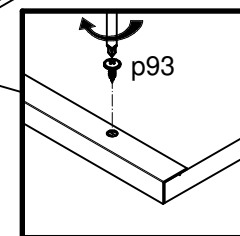
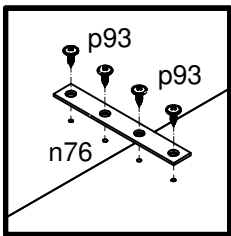
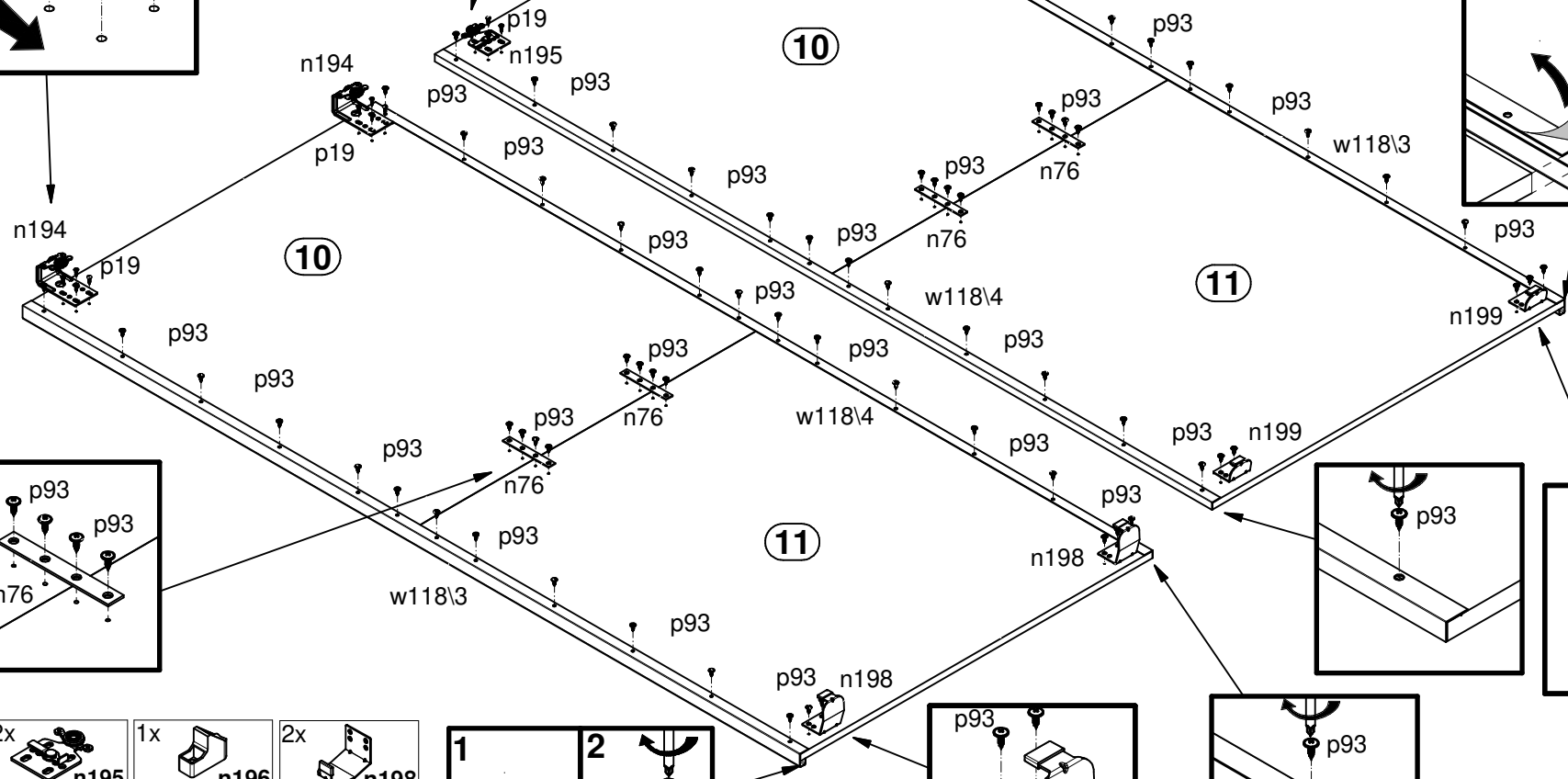
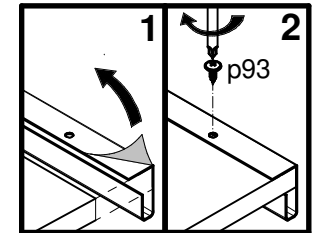
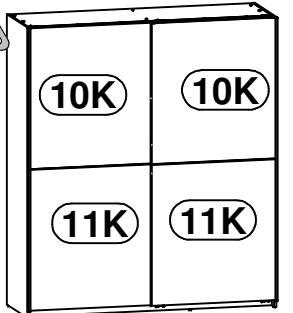
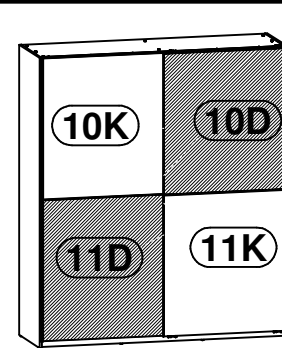
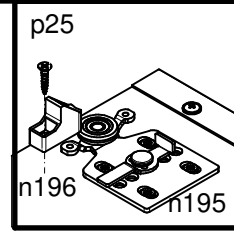
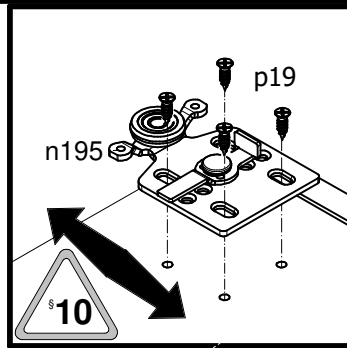
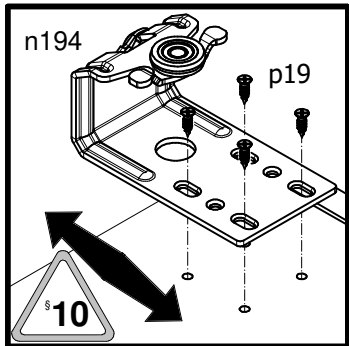


- 85x  l1
1.4x20 mm
- 9x  n108
22x9,5x20,7 mm
- 9x  p55
Ø2,9x16 mm

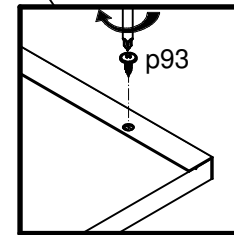
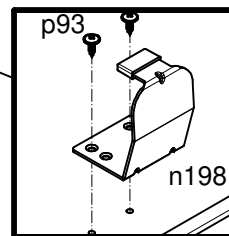
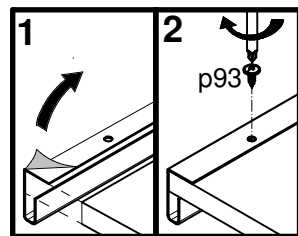
6



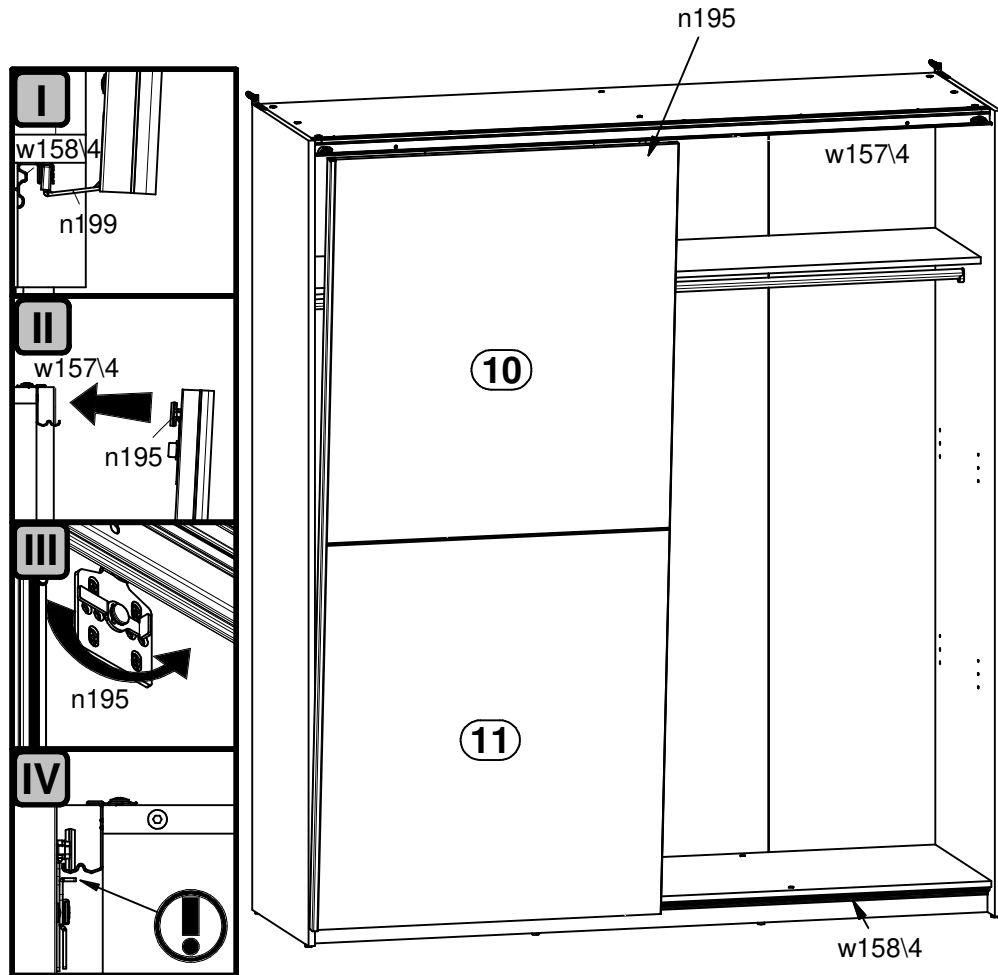
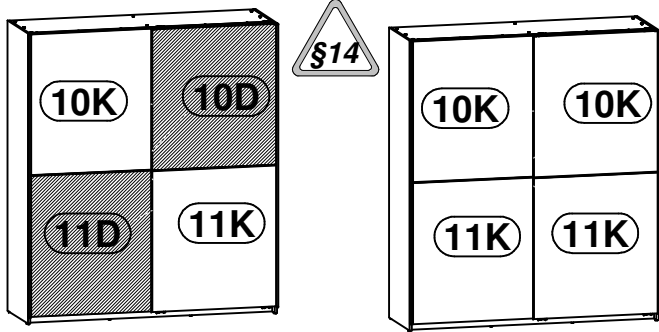
7



- 2x n194
- 2x n195
- 1x n196
- 2x n198
- 2x n199
- 4x n76
- 16x p19
Ø4x16 mm
- 1x p25
Ø3.5x16 mm
- 72x p93
Ø4x13 mm
- 2x w118/3
L=1900 mm
- 2x w118/4
L=1900 mm



8



9

