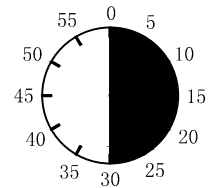
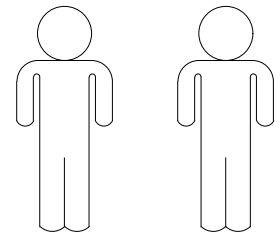
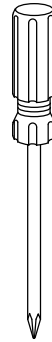
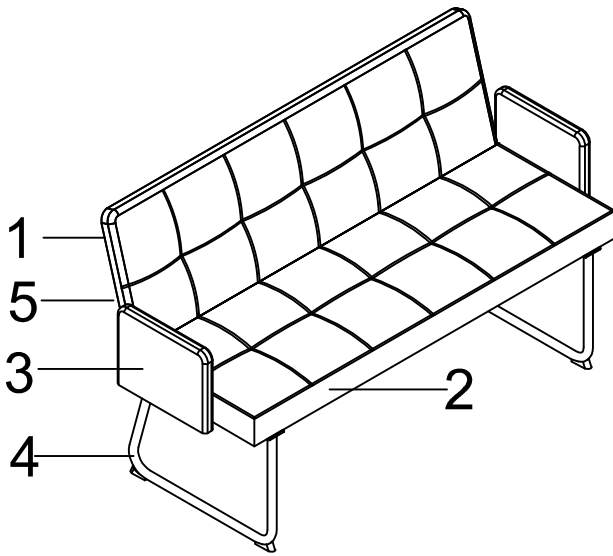


# Janina 1



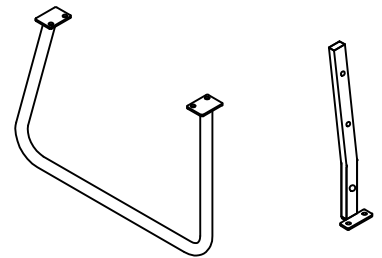
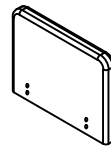
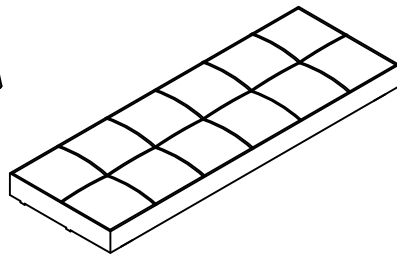
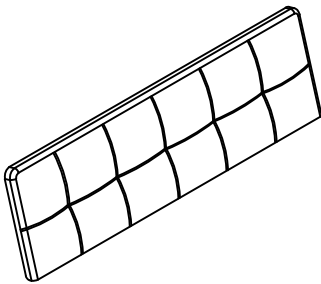
1

2

3

4


5





1	1x
2	1x
3	2x
4	2x
5	2x





1/1


**A** M8\*18  
  
 12X


**B** M8\*25  
  
 12X

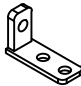
**C** M8\*35  
  
 4X

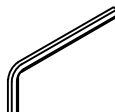
**D** M8\*45  
  
 2X

**E** Ø18\*Ø8\*1.5  
  
 30X

**F** M4\*20  
  
 8X

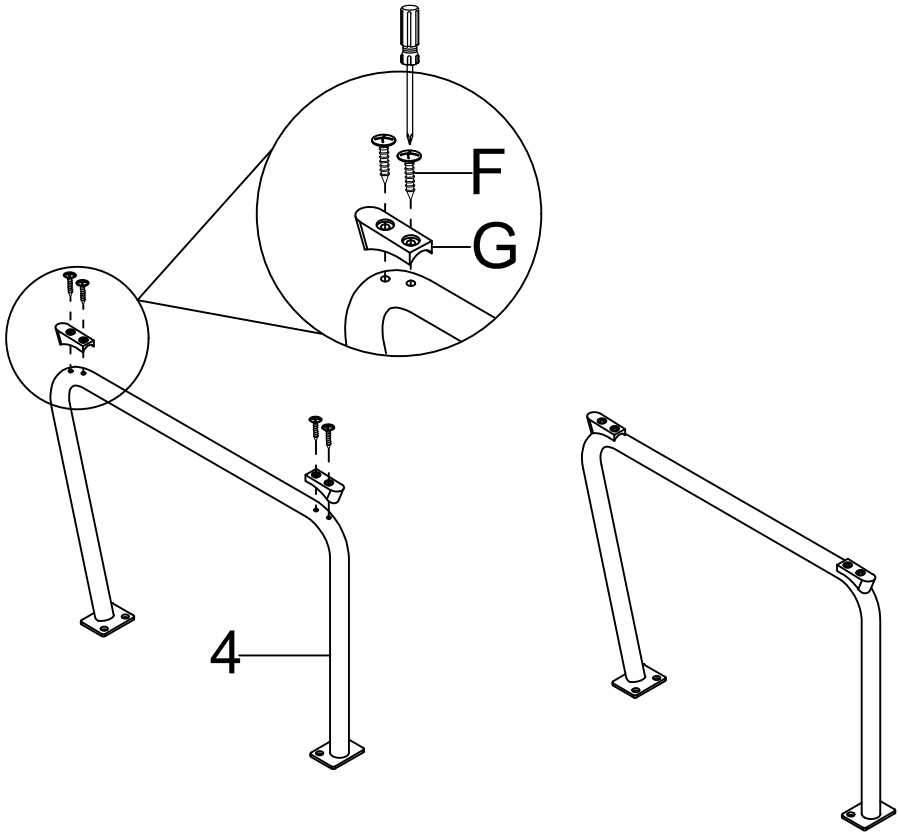
**G**  
  
 4X




**H**  
  
 4X

**I** 5mm  
  
 1X

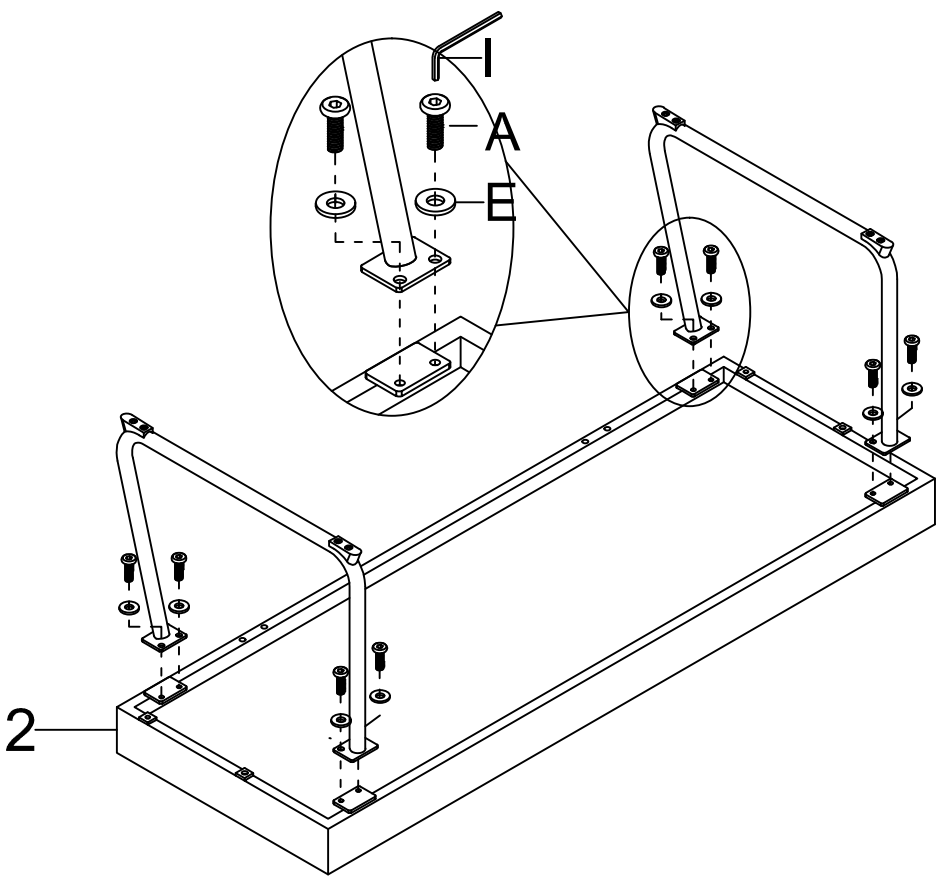
1.

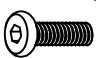



1.



F	M4*20
	
	8X
G	
	4X
	

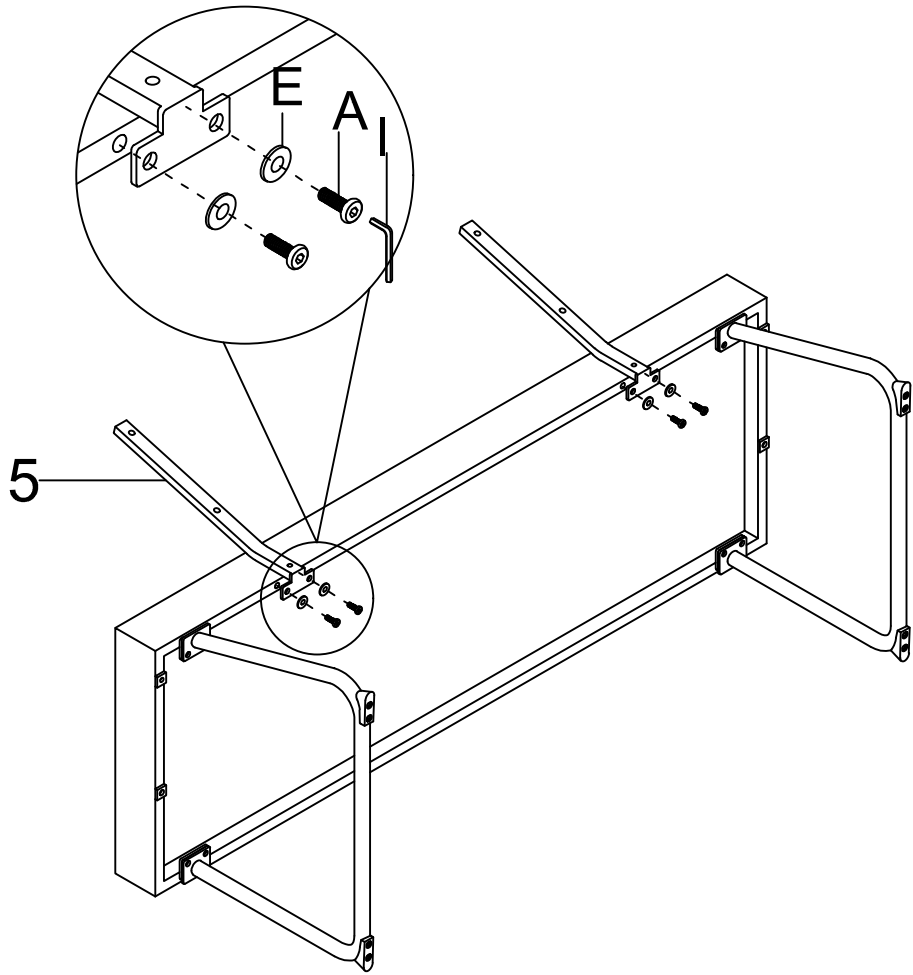
2.

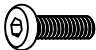

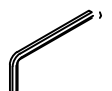



A	M8*18
	
	8X
E	Ø18*Ø8*1.5
	
	8X
I	5mm
	
	1X
	

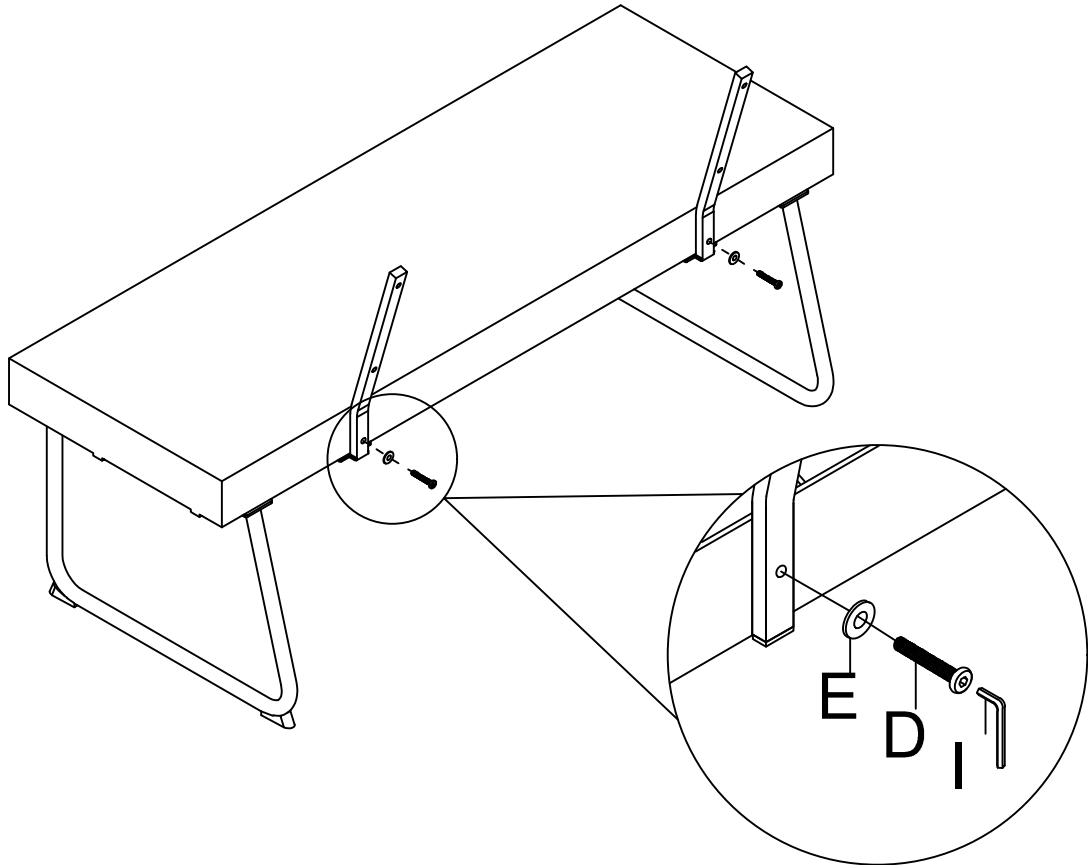
11.





3.



- A** M8\*18  
 4X
- E** Ø18\*Ø8\*1.5  
 4X
- I** 5mm  
 1X
-  75%

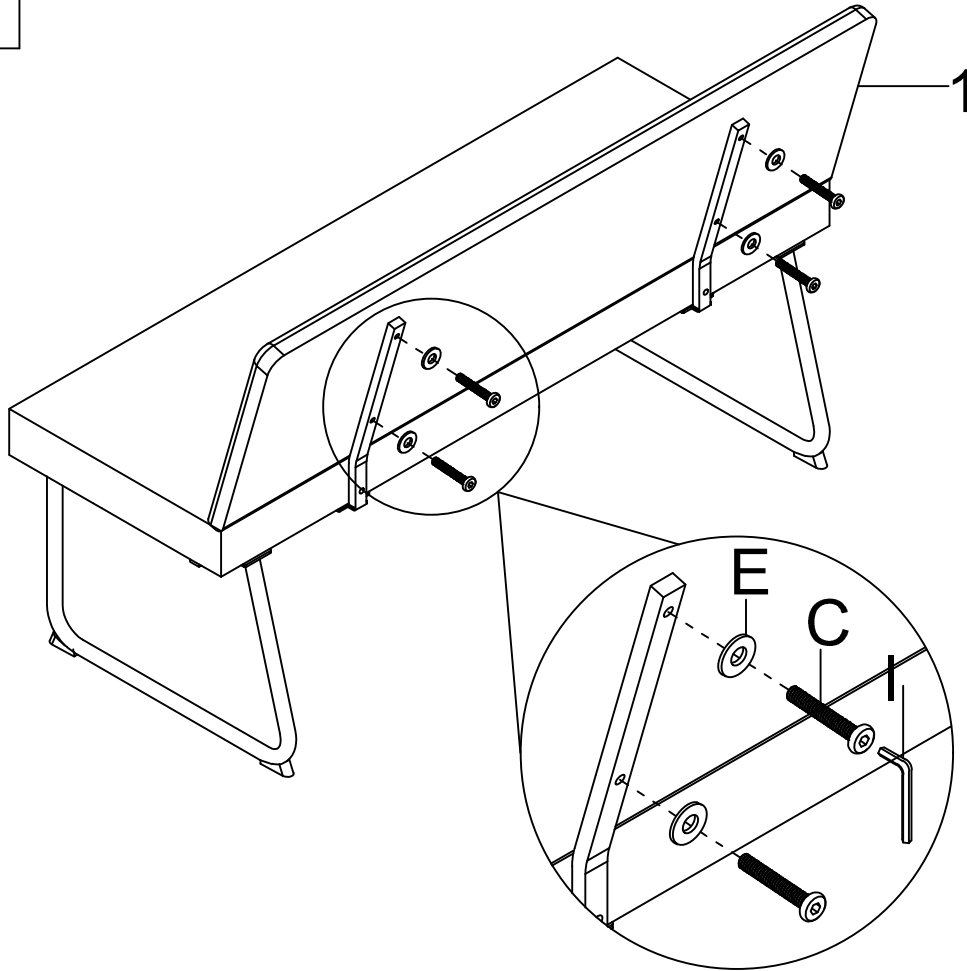
4.



- D** M8\*45  
 2X
- E** Ø18\*Ø8\*1.5  
 2X
- I** 5mm  
 1X
-  75%

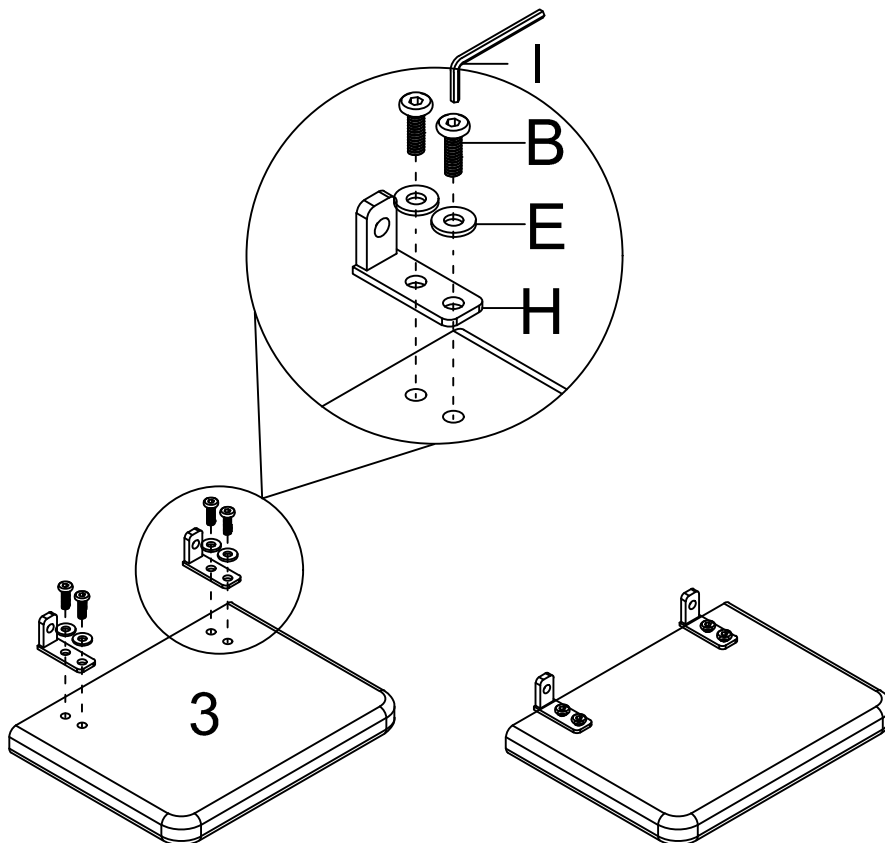
III.

5.



C	M8*35	4X
E	Ø18*Ø8*1.5	4X
I	5mm	1X

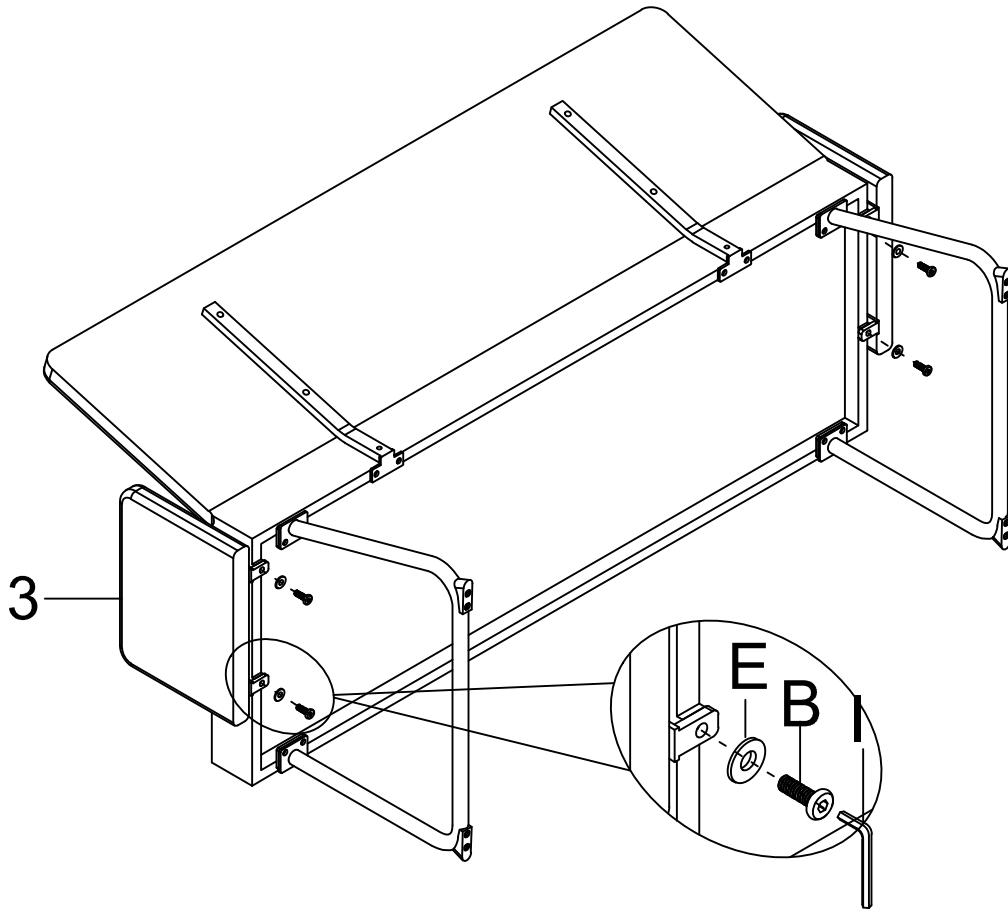
6.







B	M8*25	8X
E	Ø18*Ø8*1.5	8X
H		4X
I	5mm	1X

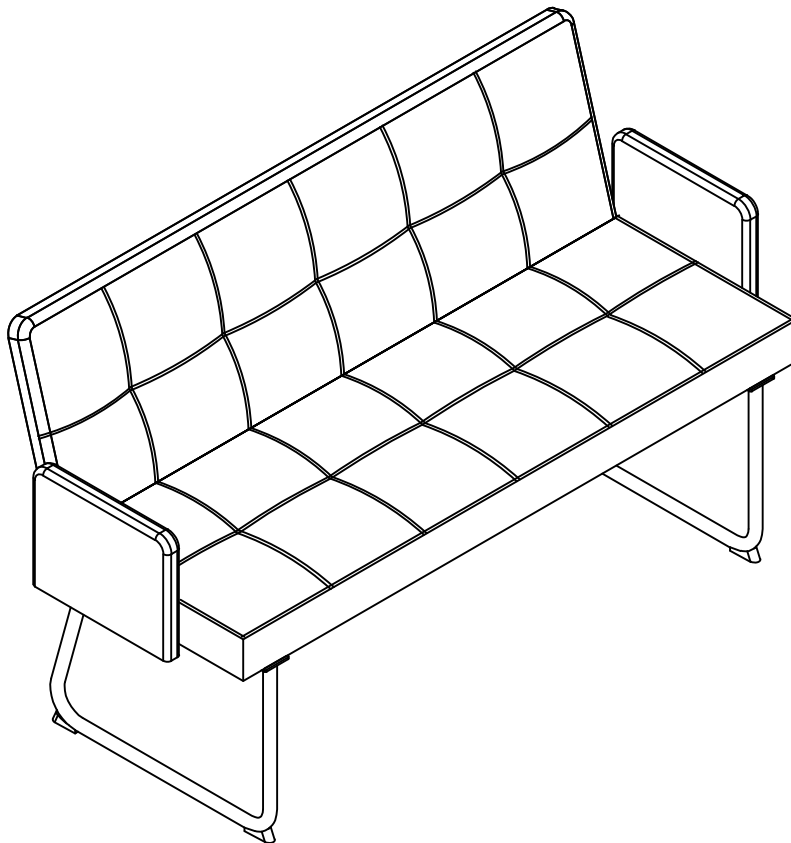
# IV.



## 7.



B	M8*25
	4X
E	Ø18*Ø8*1.5
	4X
I	5mm
	1X
	75%

## 8.



I	5mm
	1X
	100%



**LE TRI  
+ FACILE**



Séparez les éléments avant de trier