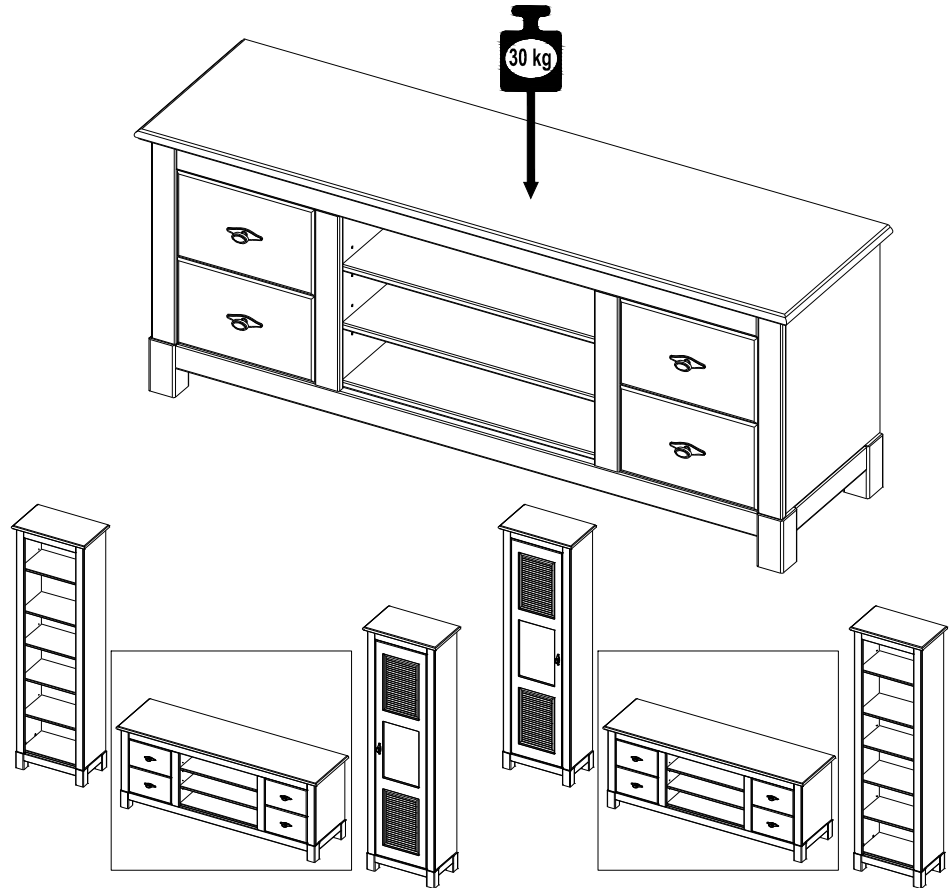


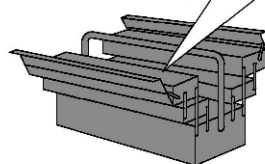
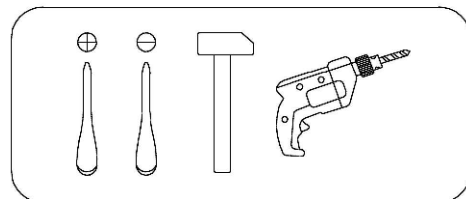
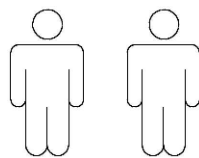
Art. Nr. 270319; 521677; 85636748;

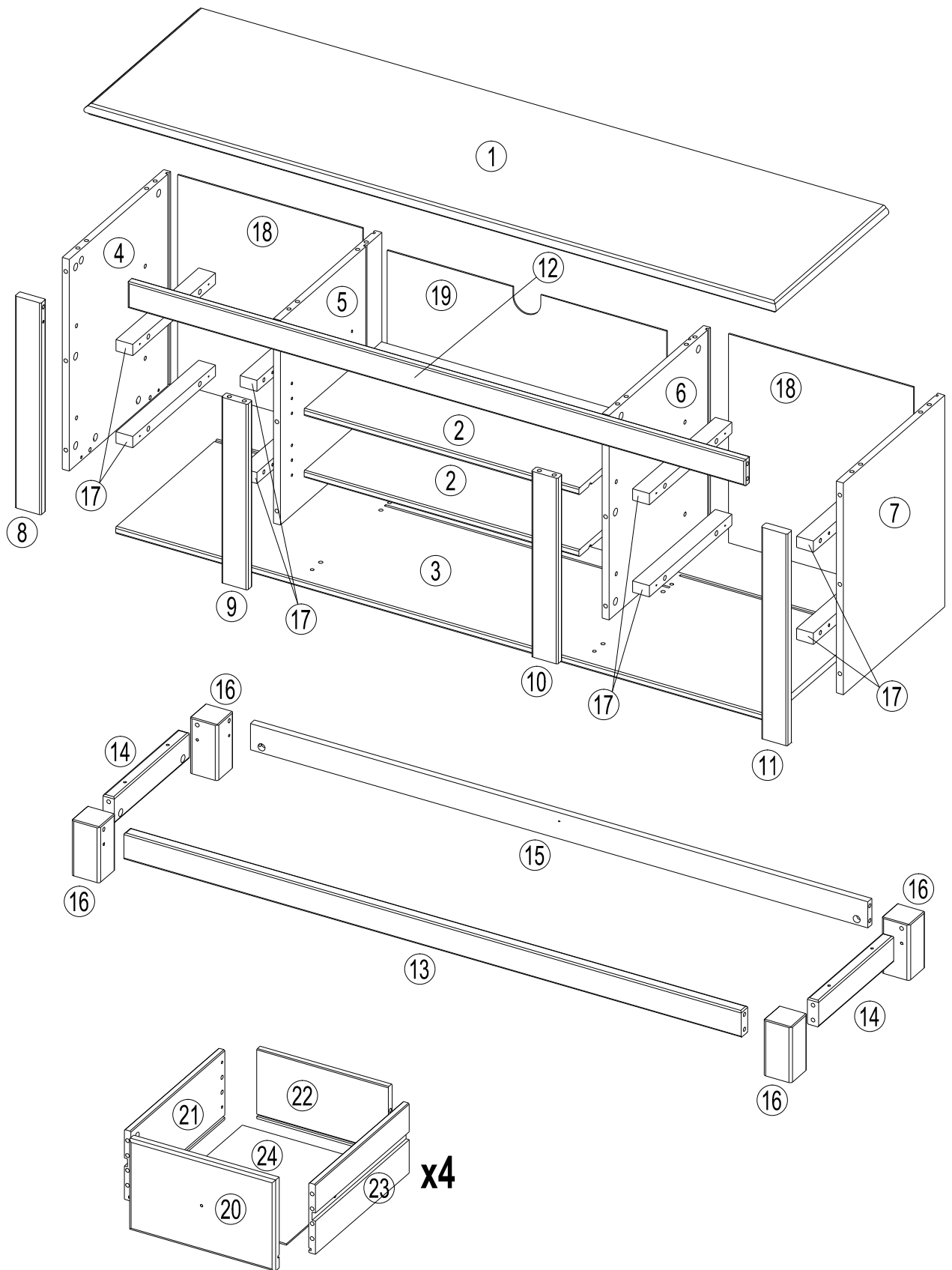
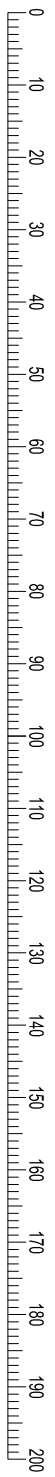
678228; 785202; 55636826

LKZ 40947

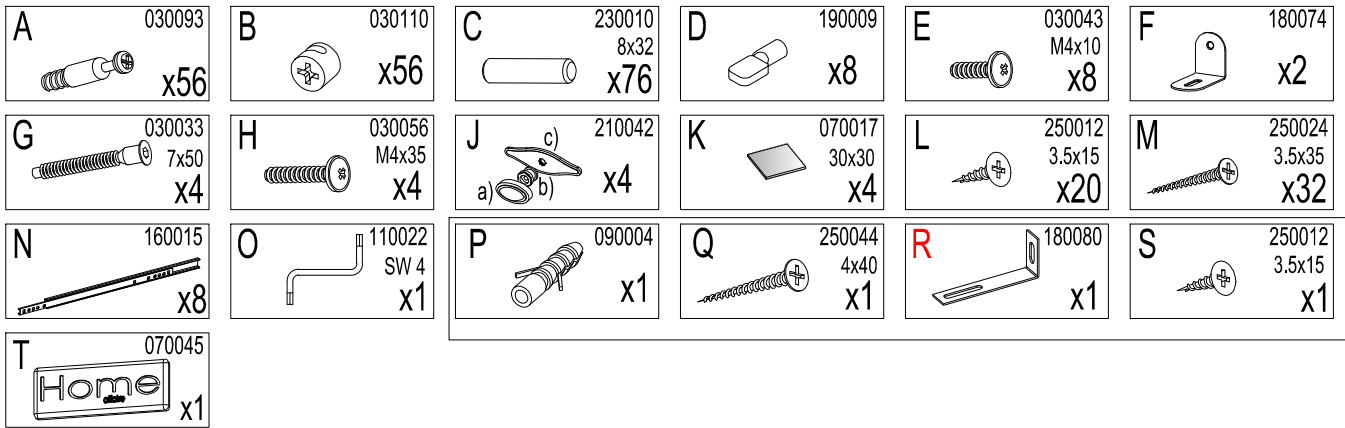


- | | | | |
|-----------|------------------------------------|-----------|--------------------------------|
| D | Montageanleitung | GB | Assembly instructions |
| FR | Notice de montage | IT | Istruzioni di montaggio |
| NL | Handleiding voor de montage | PL | Instrukcja montażu |
| CZ | Montážní návod | SK | Návod na montáž |
| HU | Szerelési útmutató | RO | Instrukțiuni de montaj |
| TR | Montaj talimatı | RU | Инструкция по монтажу |



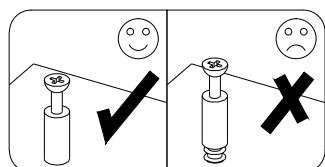
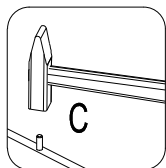
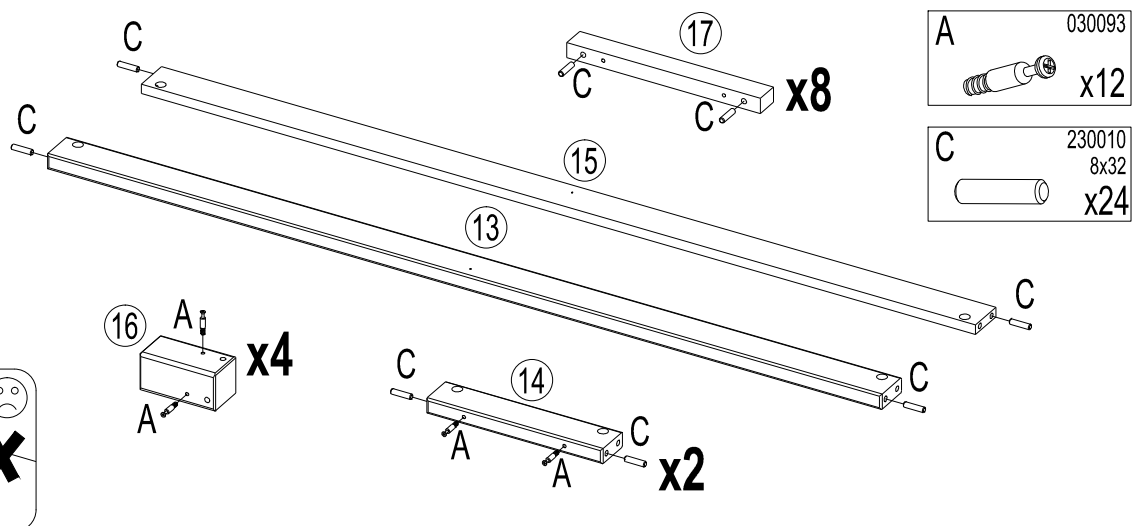


x4

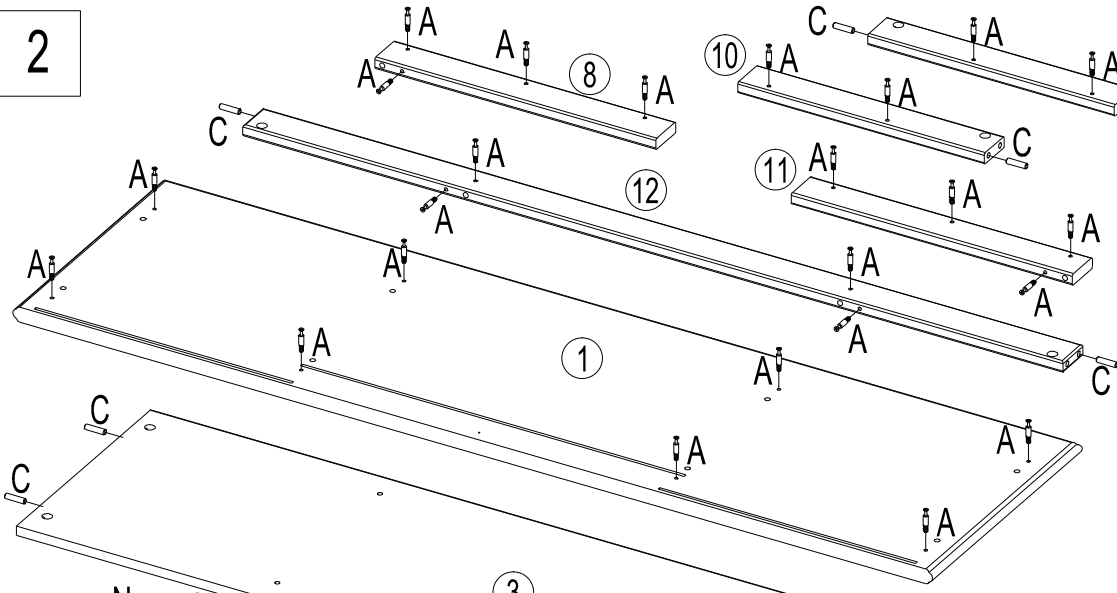


No	Size/MaB (mm)	Qty	✓	No	Size/MaB (mm)	Qty	✓
1	1489x420x24	1		13	1328x56x24	1	
2	591x288x15	2		14	280x56x24	2	
3	1400x378x15	1		15	1328x56x15	1	
4	455x378x15	1		16	120x60x60	4	
5	440x378x15	1		17	308x36x24	8	
6	440x378x15	1		18	449x398x3	2	
7	455x378x15	1		19	449x601x3	1	
8	455x56x18	1		20	313x195x18	4	
9	399x56x18	1		21	350x150x14	4	
10	399x56x18	1		22	283x150x14	4	
11	455x56x18	1		23	350x150x14	4	
12	1328x56x18	1		24	342x292x3	4	

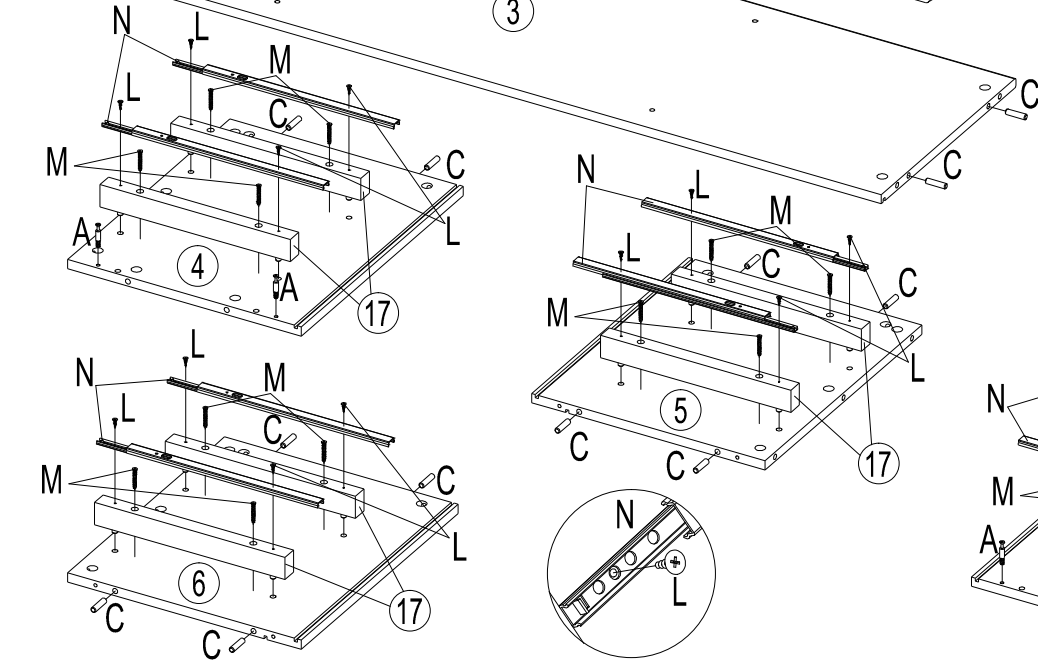
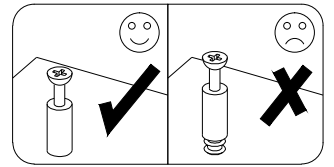
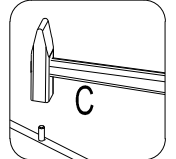
1



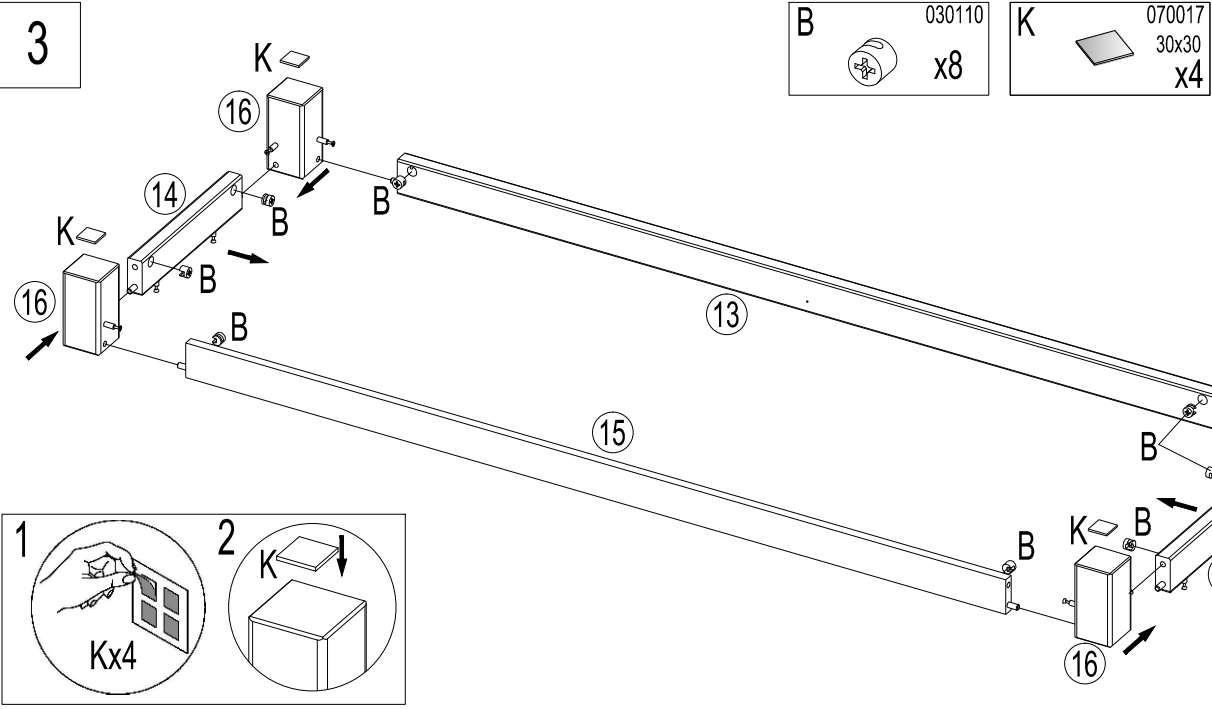
2



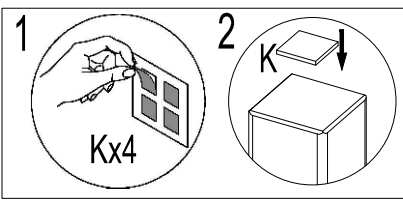
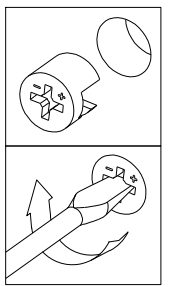
- A** 030093
x28
- C** 230010
8x32
x20
- L** 250012
3.5x15
x16
- M** 250024
3.5x35
x16
- N** 160015
x8



3



- B** 030110
x8
- K** 070017
30x30
x4



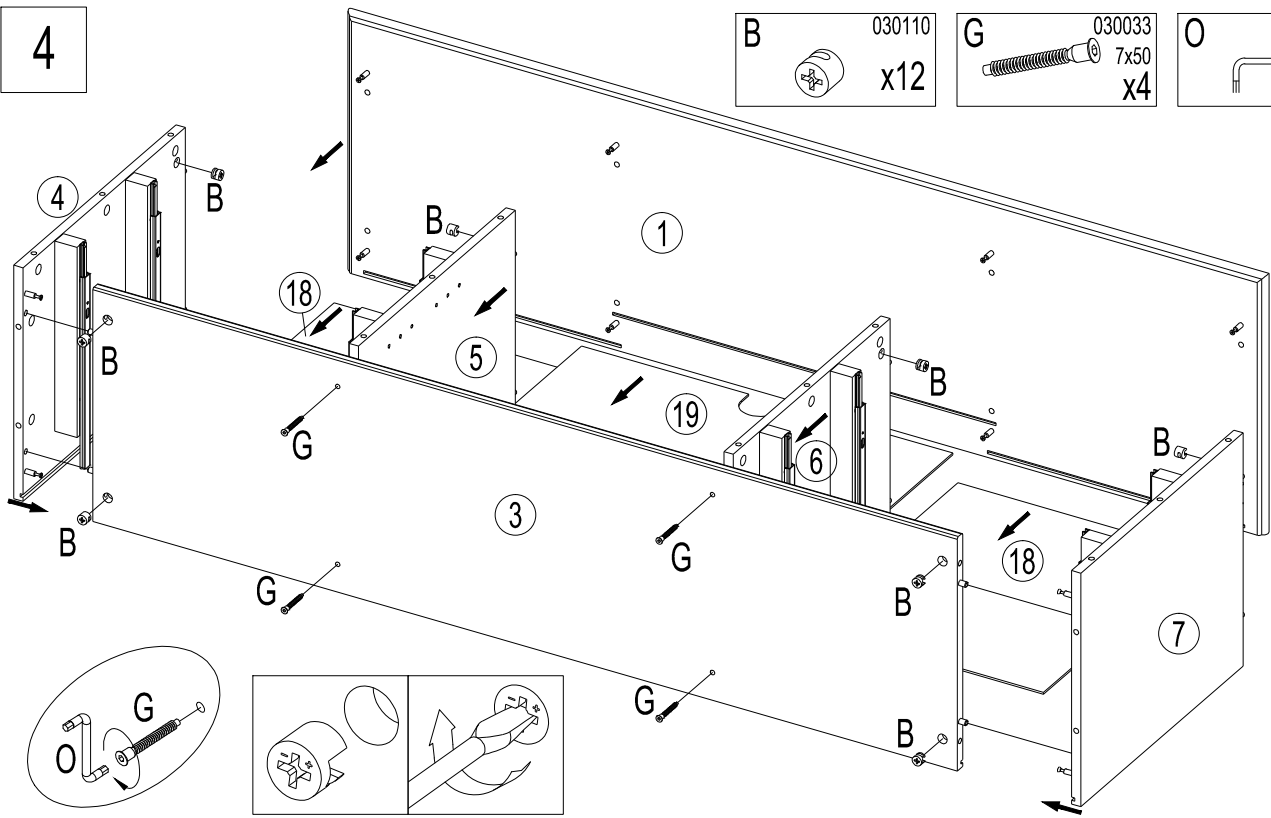
4

4

B 030110 x12

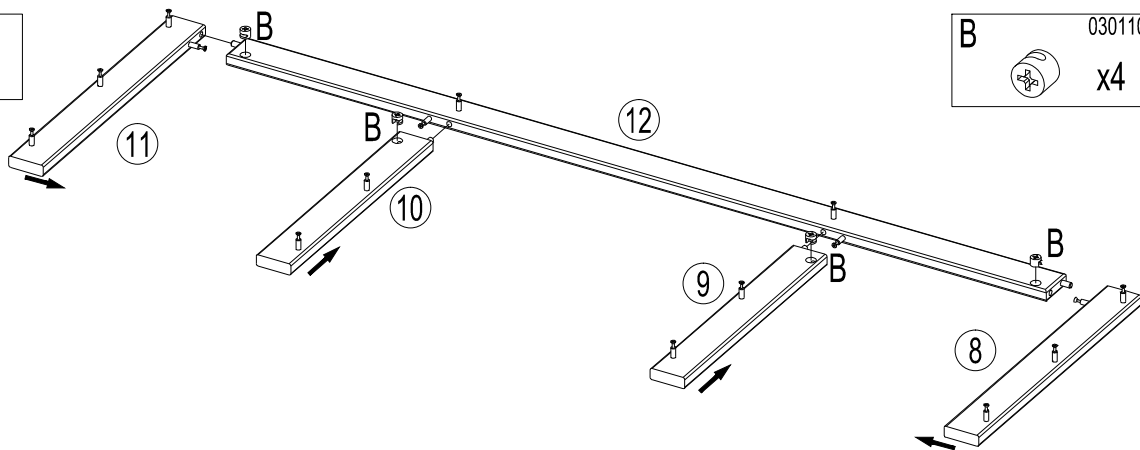
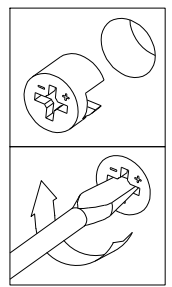
G 030033 7x50 x4

O 110022 SW 4 x1



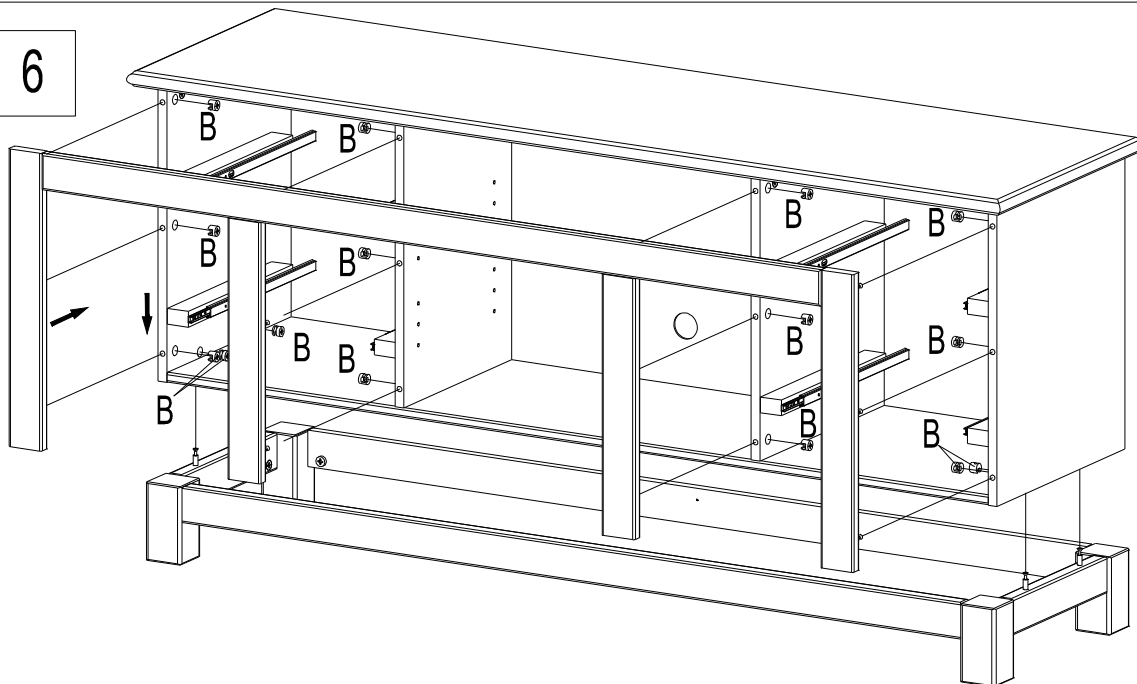
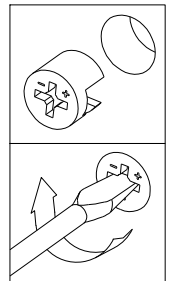
5

B 030110 x4



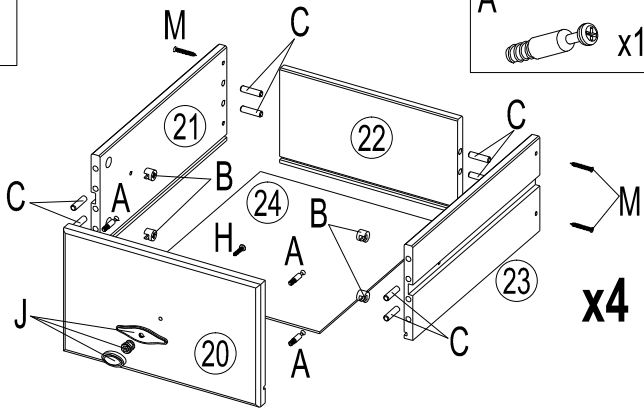
6

B 030110 x16



5

7



A 030093 x16

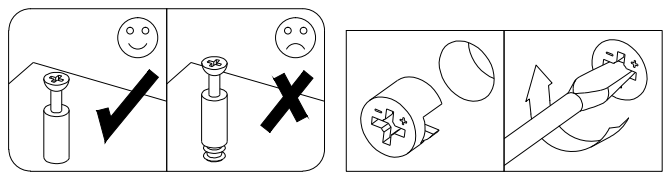
B 030110 x16

C 230010 8x32 x32

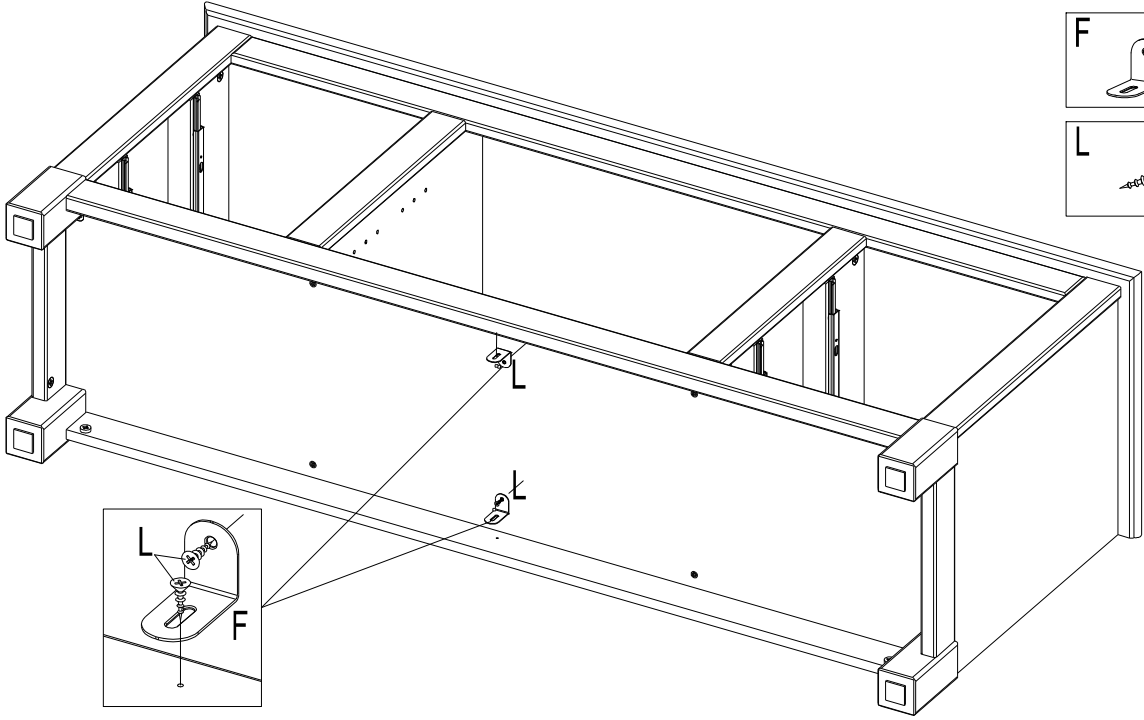
J 210042 x4

H 030056 M4x35 x4

M 250024 3.5x35 x16



8



F 180074 x2

L 250012 3.5x15 x4

9

D 190009 x8

E 030043 M4x10 x8

P 090004 x1

Q 250044 4x40 x1

R 180080

S 250012 3.5x15 x1

T Home 070045 x1

