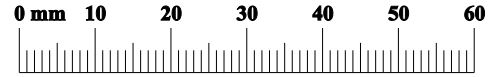
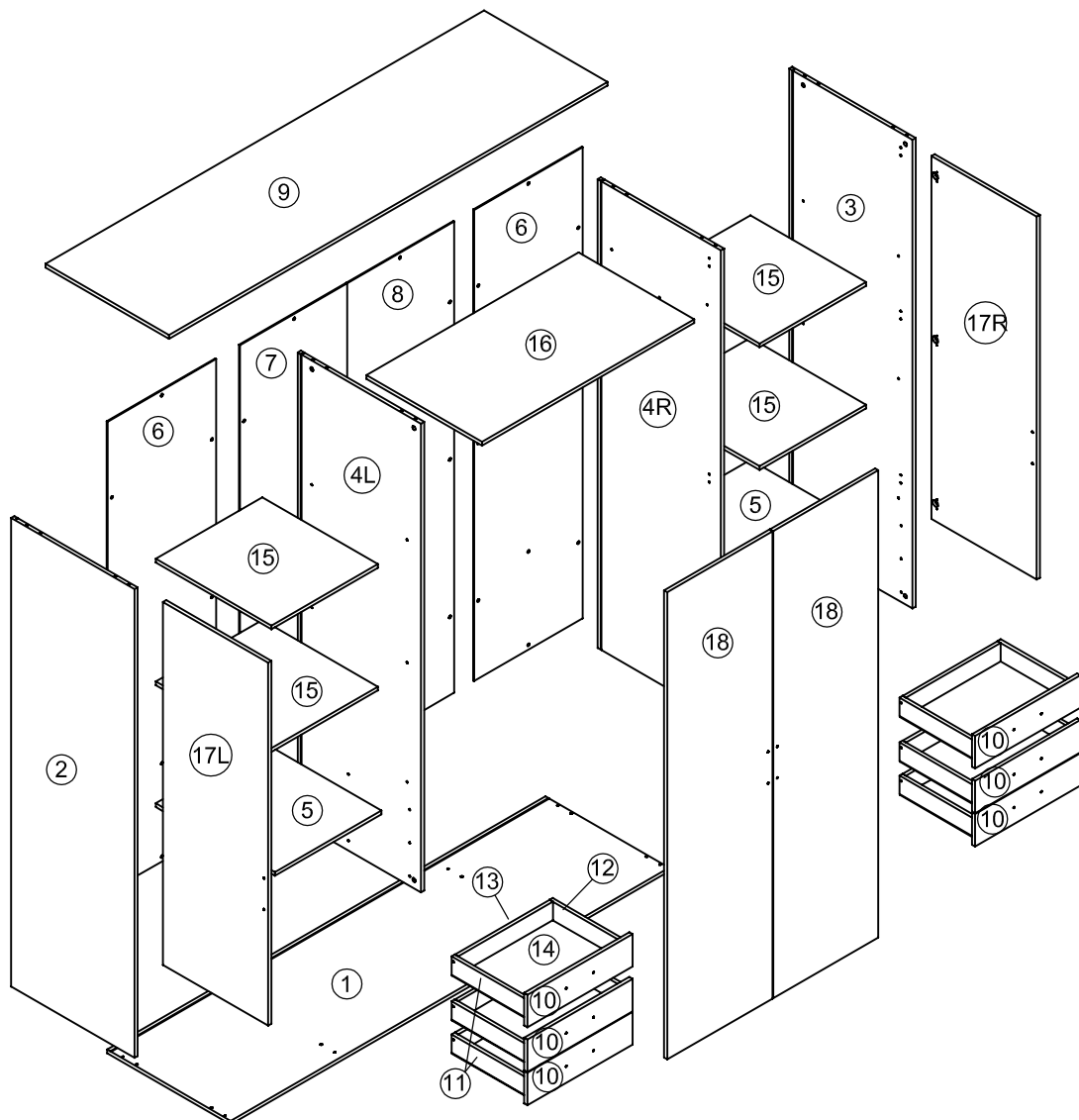


1/4

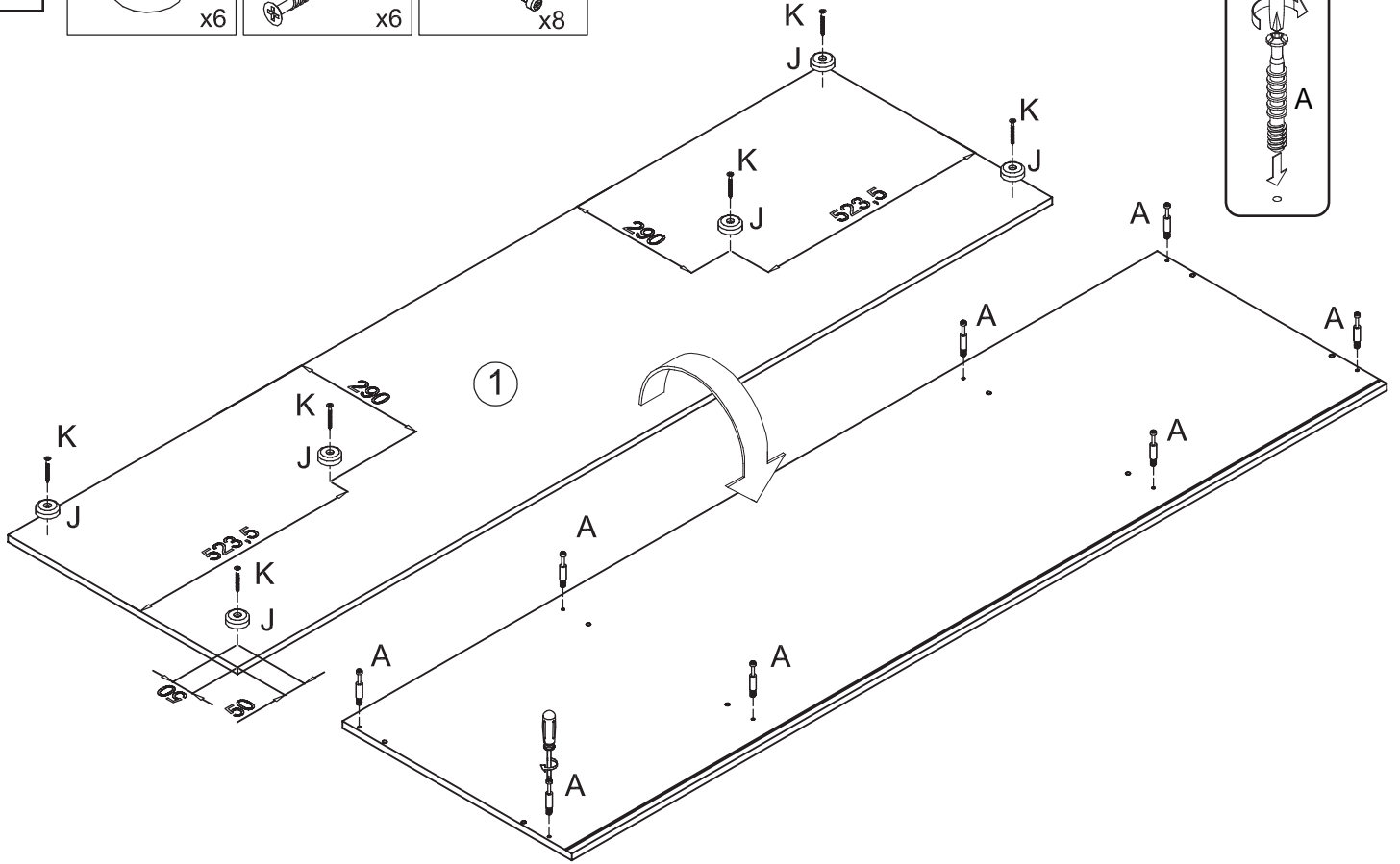
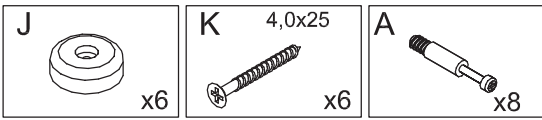


Nr	Ausmaß	Stücke	Colli
1	2059x580x15	1	4/4
2	1905x579x15	1	3/4
3	1905x579x15	1	3/4
4L,4R	1905x579x15	2	2/4
5	500x560x15	2	2/4
6	1915x510x3	2	4/4
7	1915x503x3	1	4/4
8	1915x503x3	1	4/4
9	2059x580x15	1	4/4

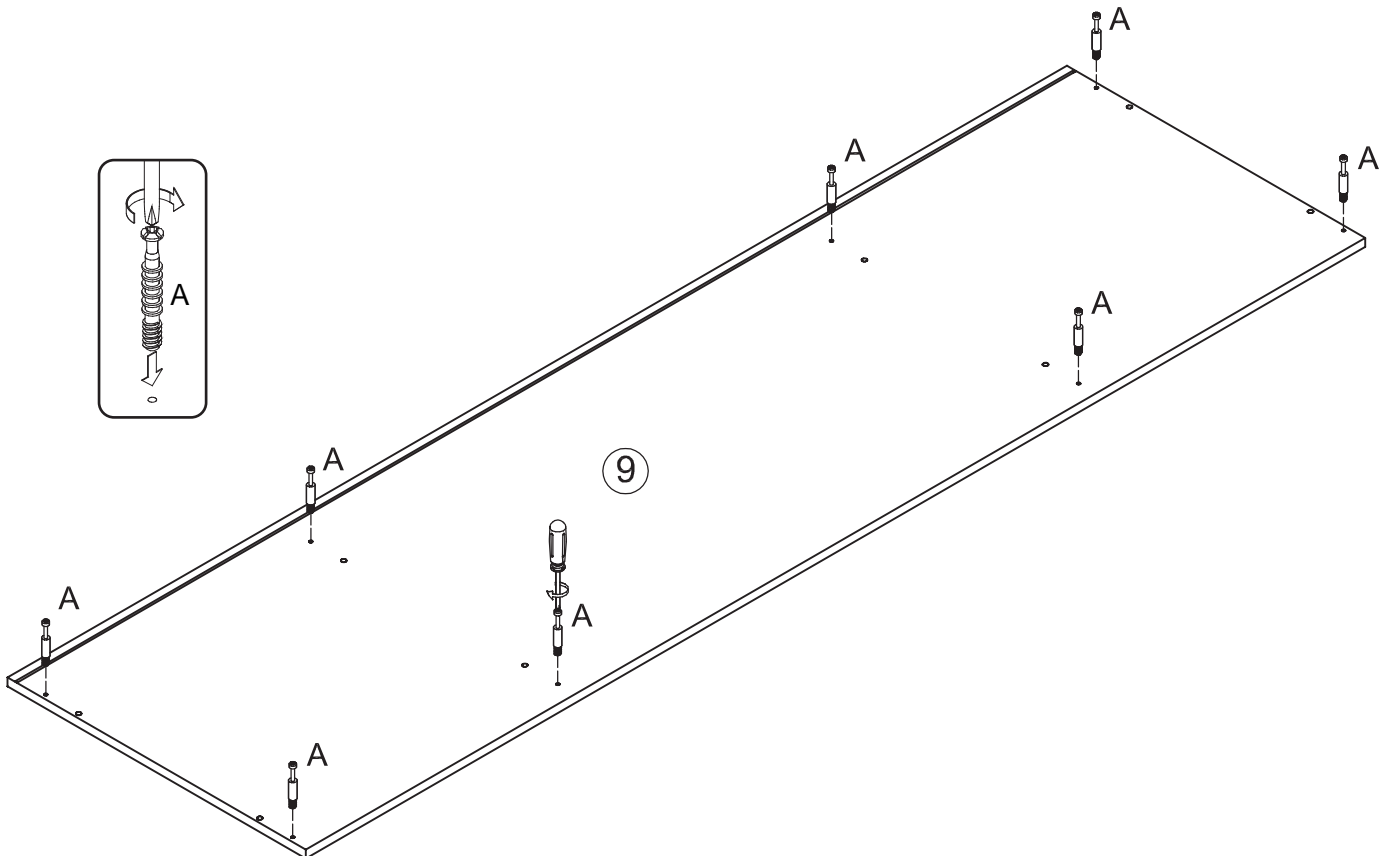
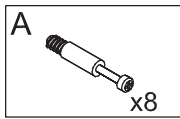
Nr	Ausmaß	Stücke	Colli
10	494x200x15	4	1/4
11, 12	350x115x15	12	3/4
13	445x115x15	6	3/4
14	473x356x3	6	1/4
15	500x543x15	1	1/4
15	500x543x15	3	3/4
16	997x543x15	1	2/4
17L,17R	1475x494x15	2	1/4
18	1899x494x15	2	1/4



1

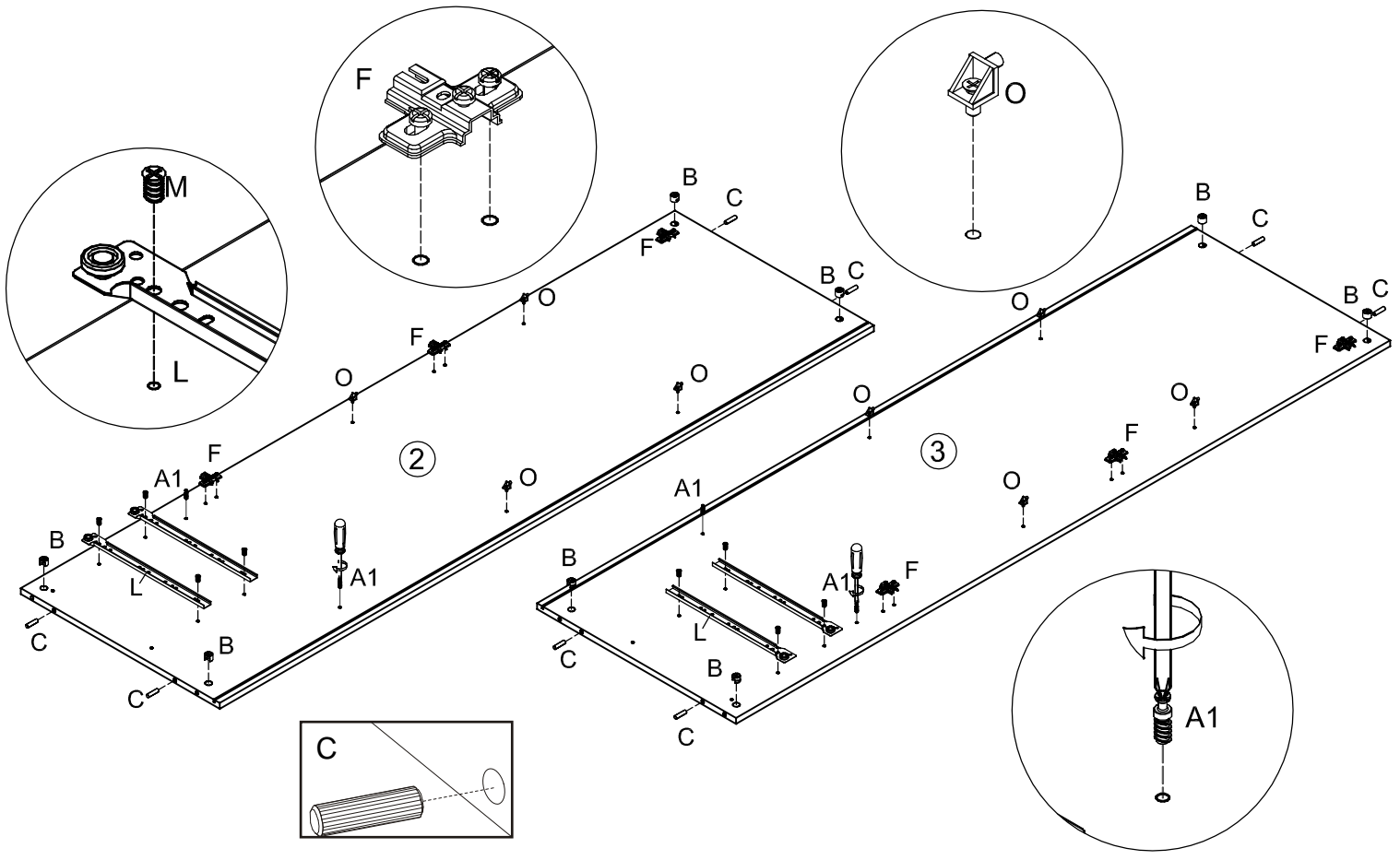


2



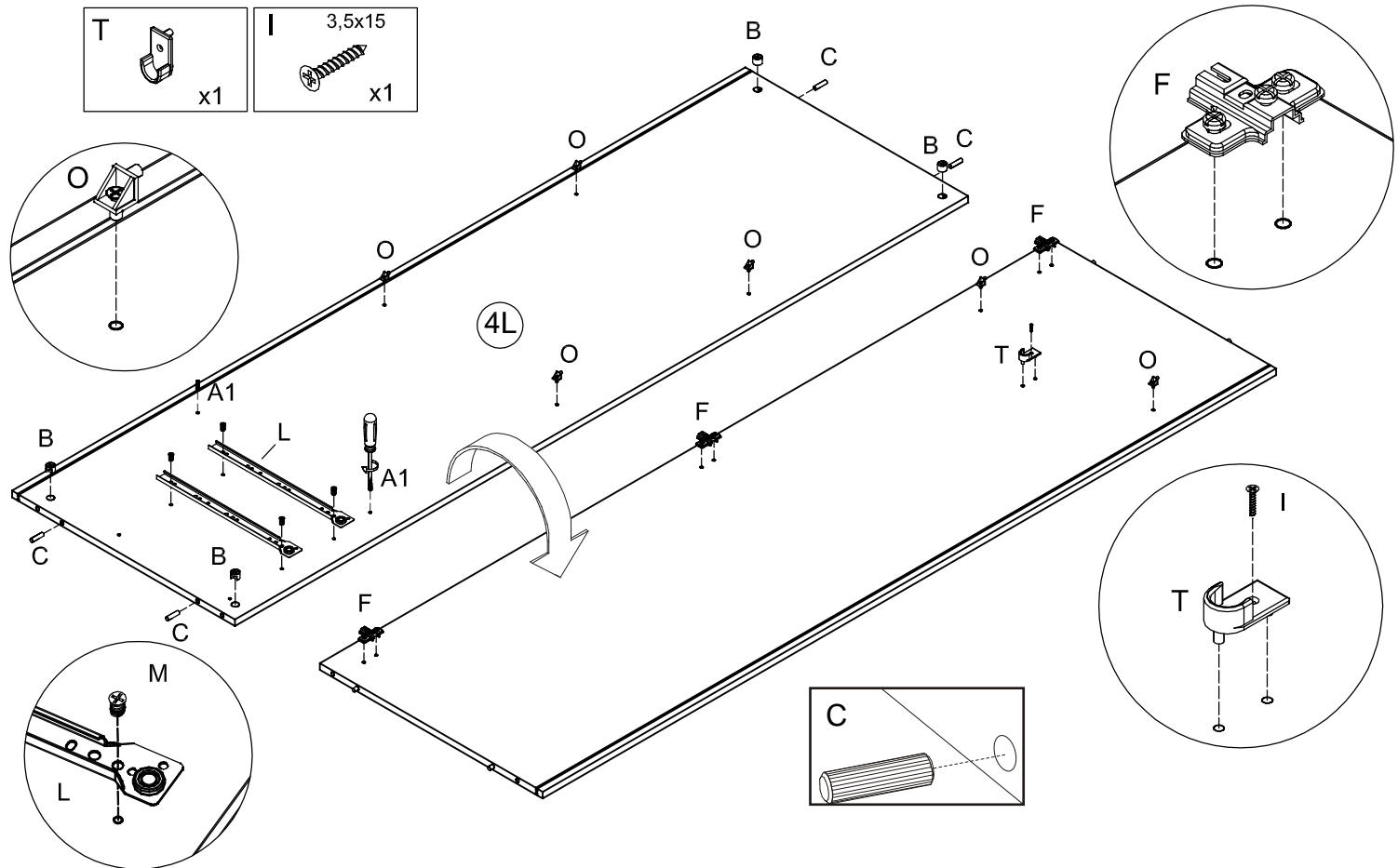
3

- C Ø8x30 x8
- L x4
- M 6,0x10 x8
- F x6
- O x8
- A1 x4
- B x8

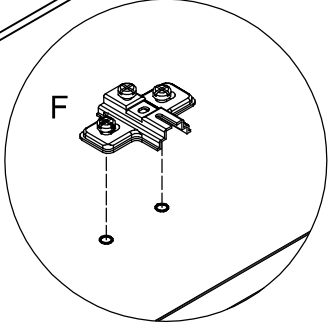
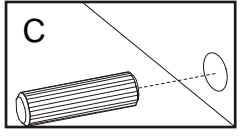
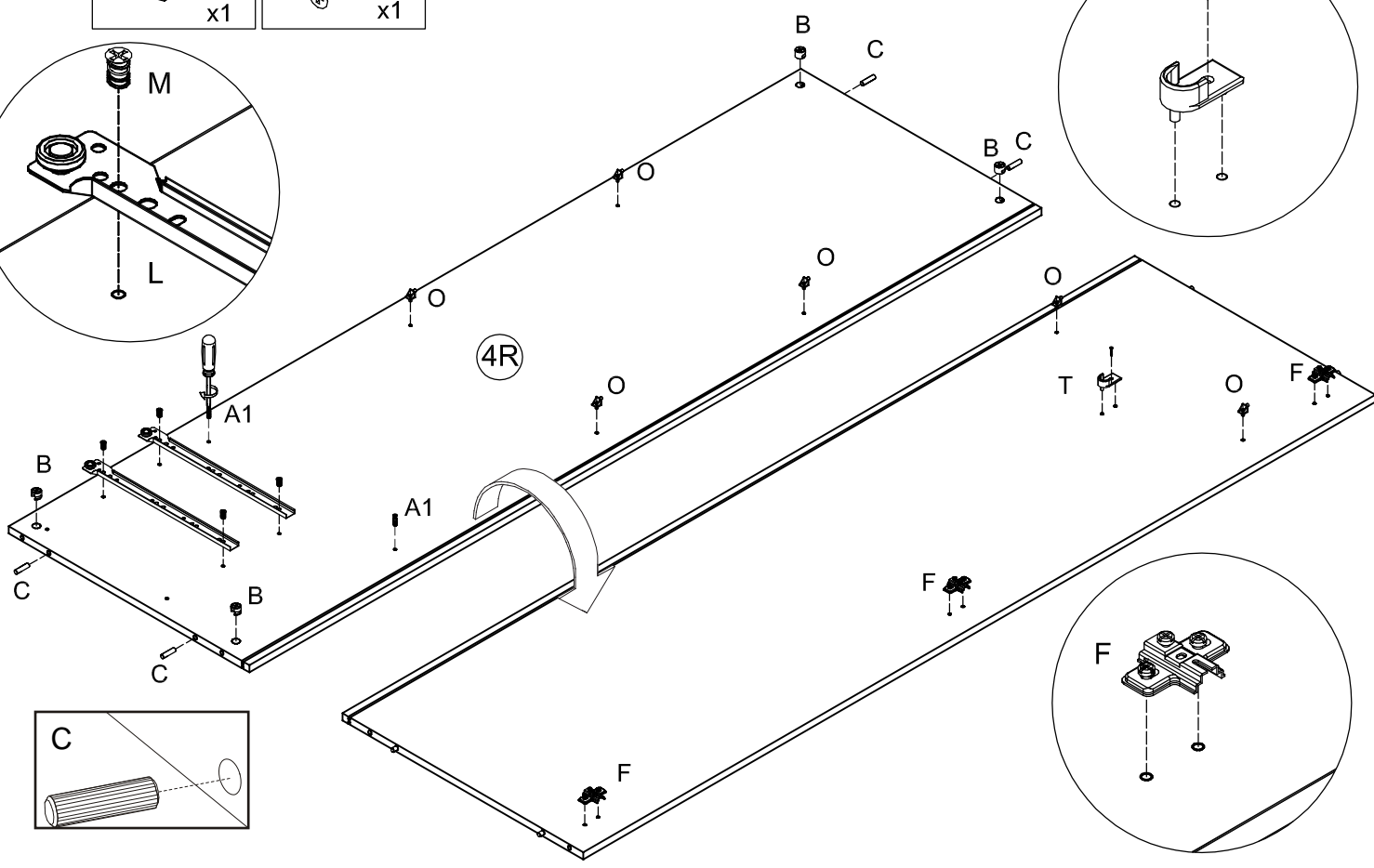
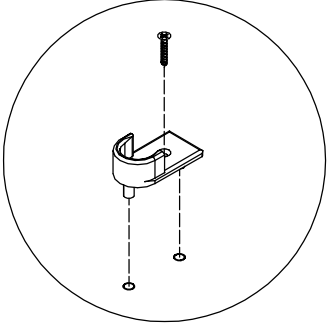
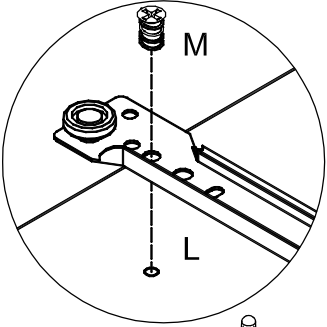
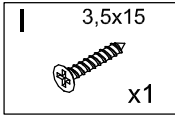
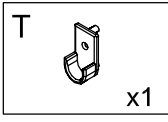
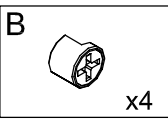
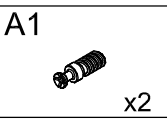
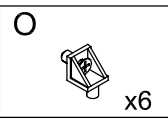
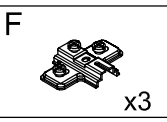
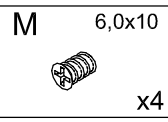
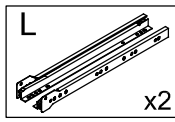
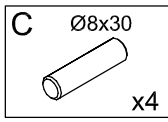


4

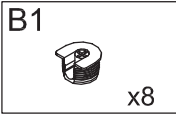
- C Ø8x30 x4
- L x2
- M 6,0x10 x4
- F x3
- O x6
- A1 x2
- B x4
- T x1
- I 3,5x15 x1



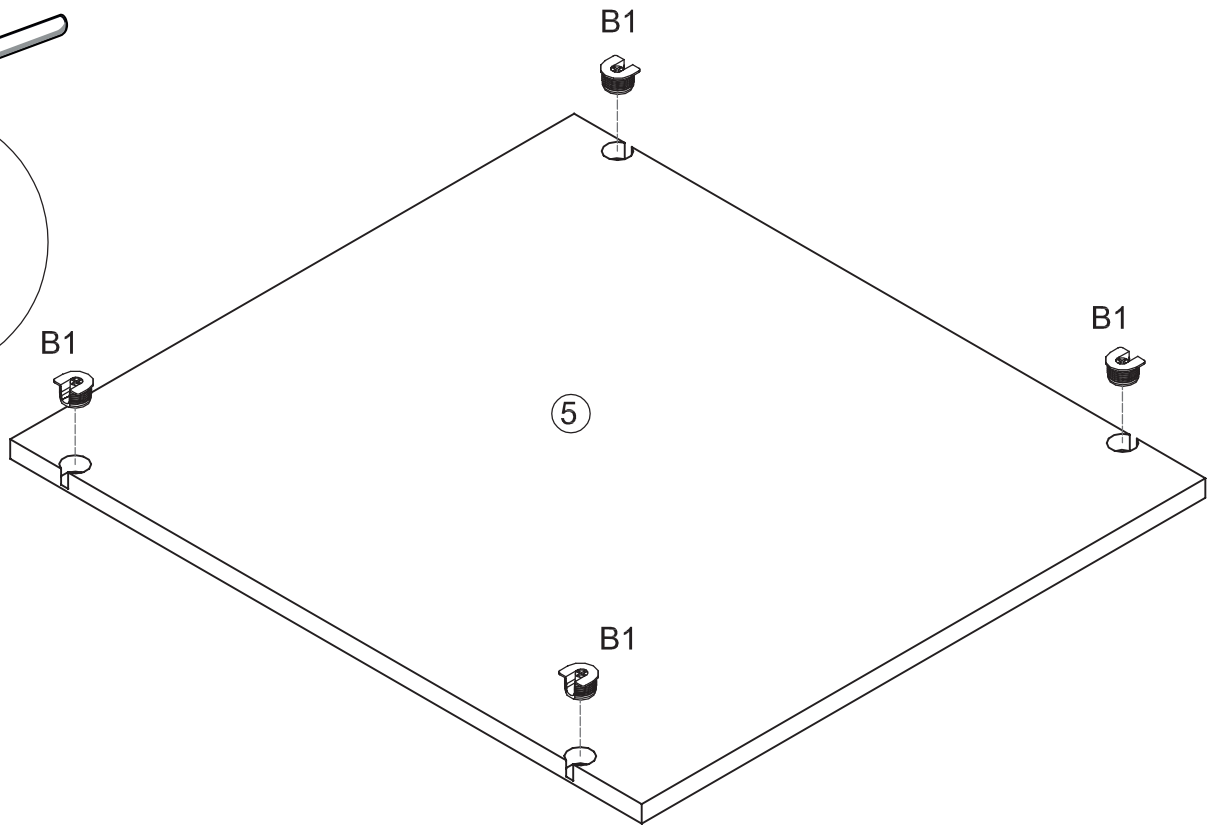
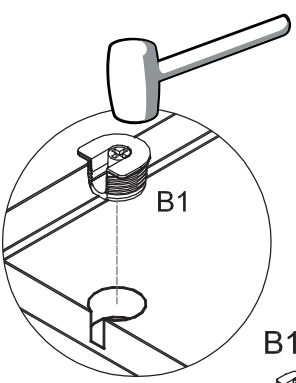
5



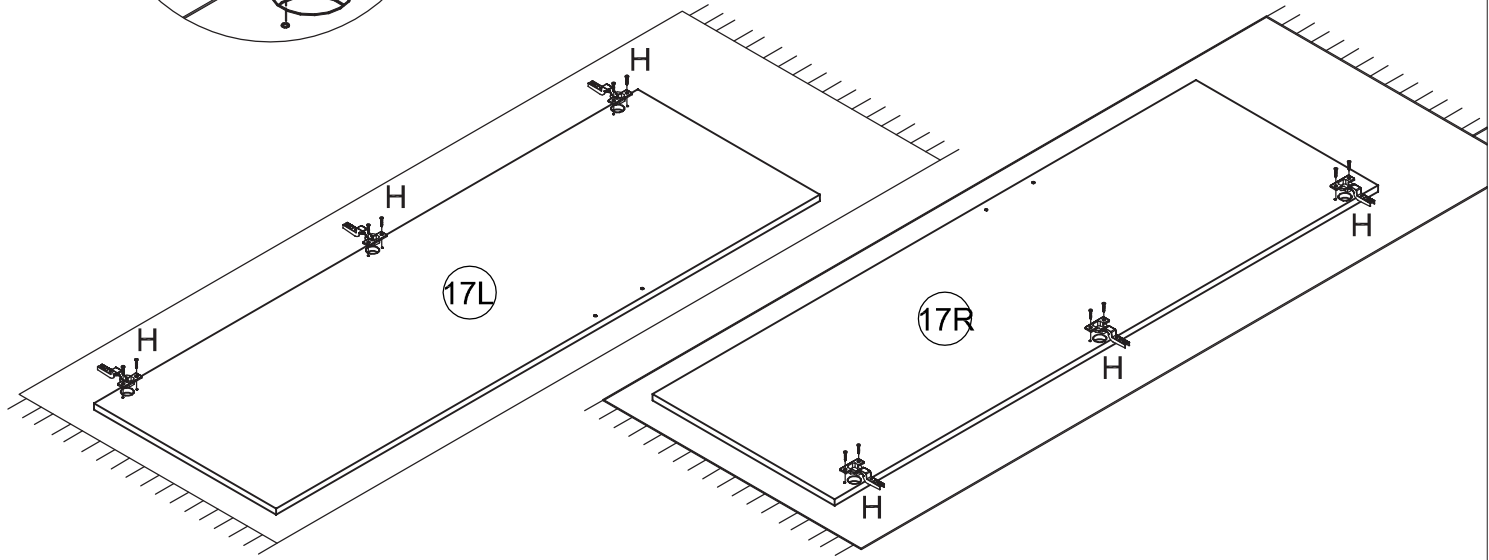
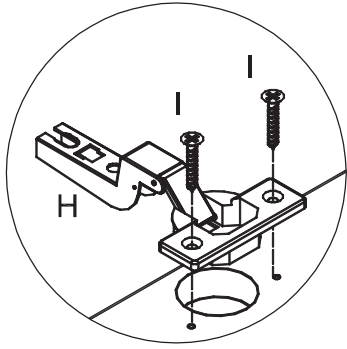
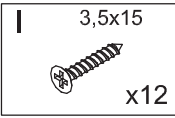
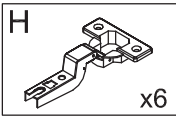
6



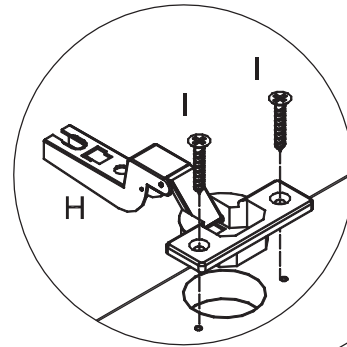
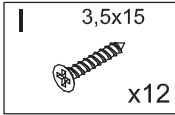
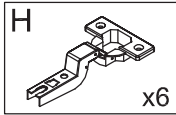
x2



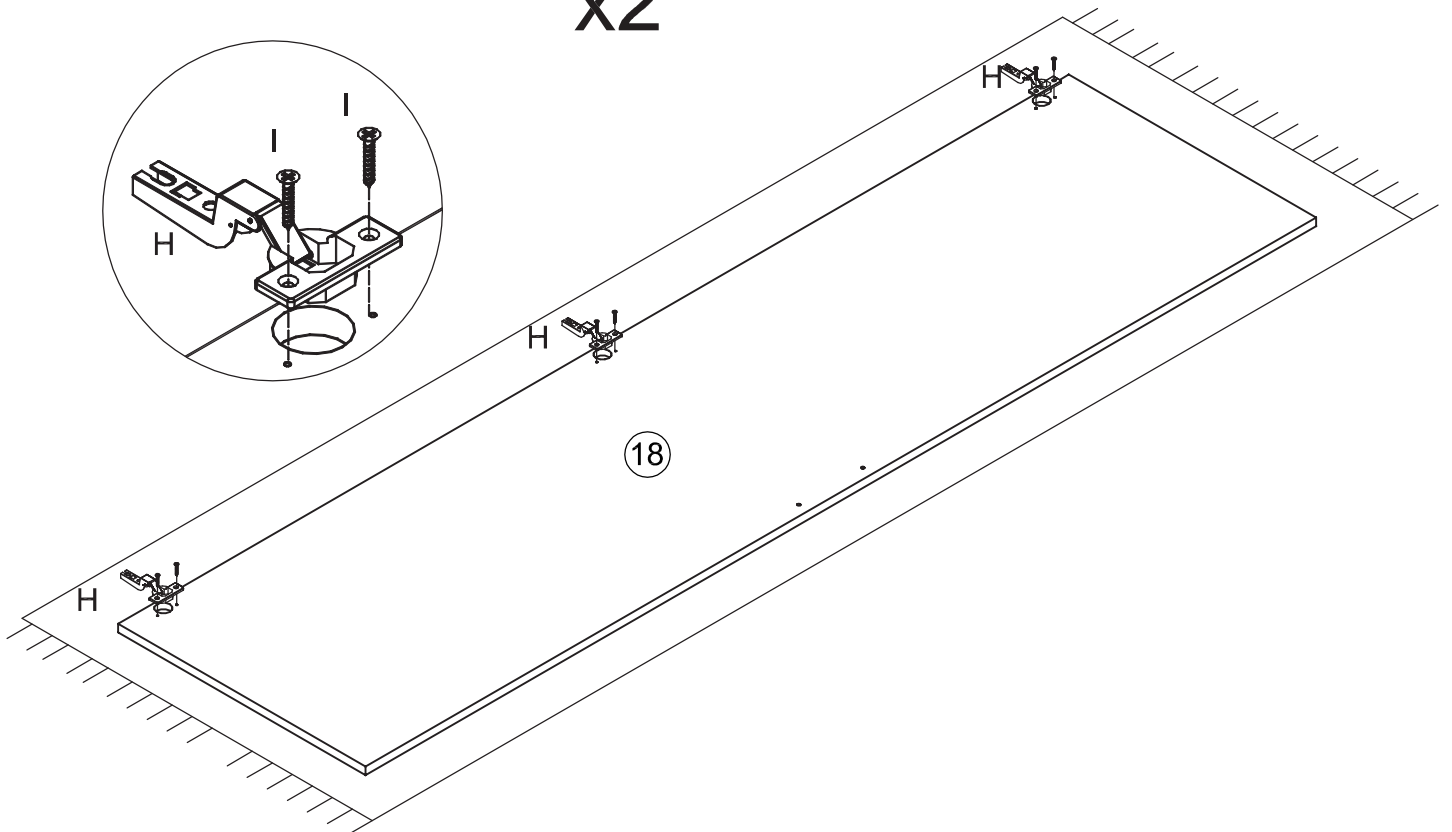
7



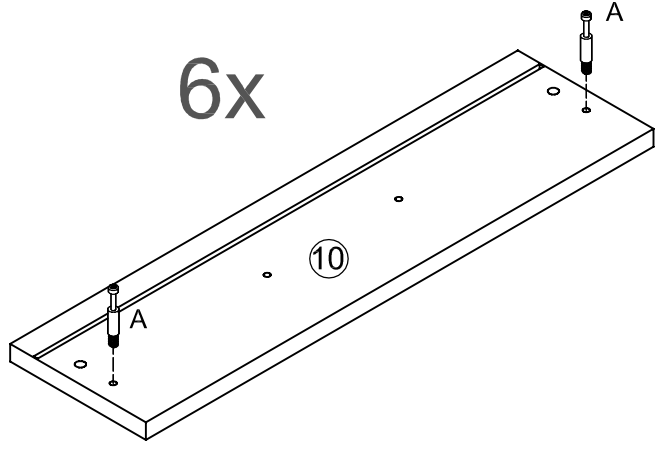
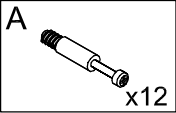
8



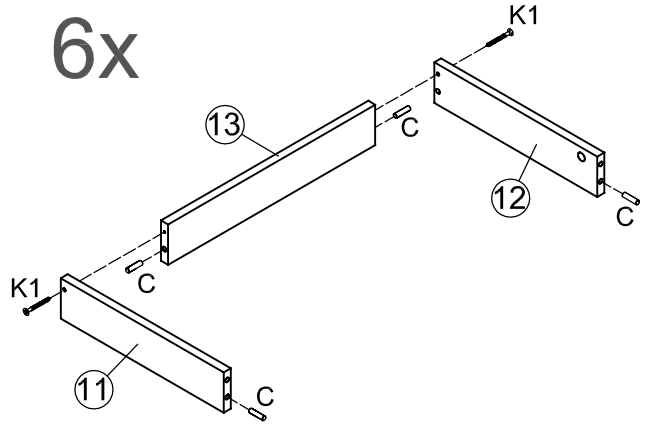
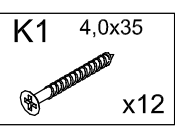
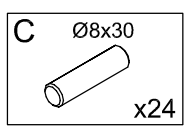
x2



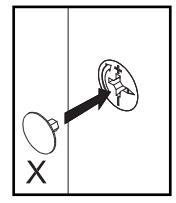
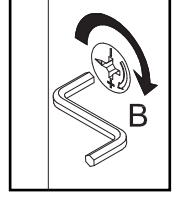
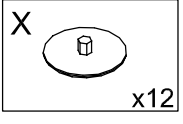
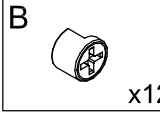
9a



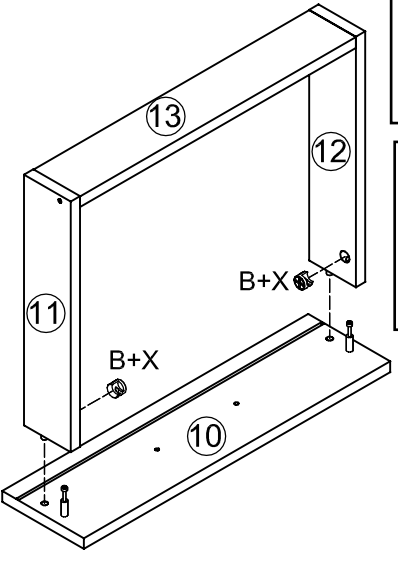
9b



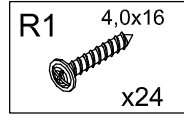
9c



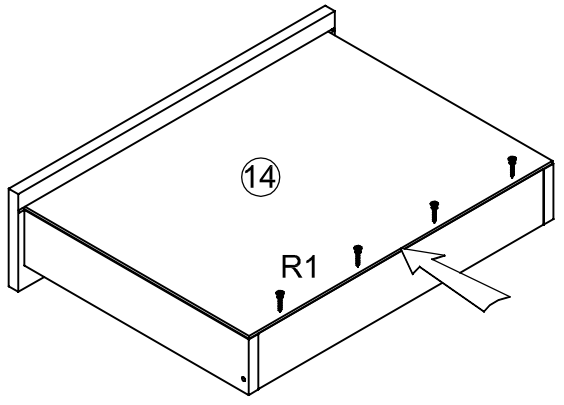
6x



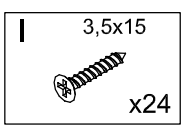
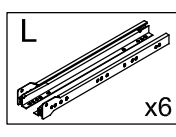
9d



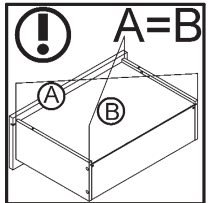
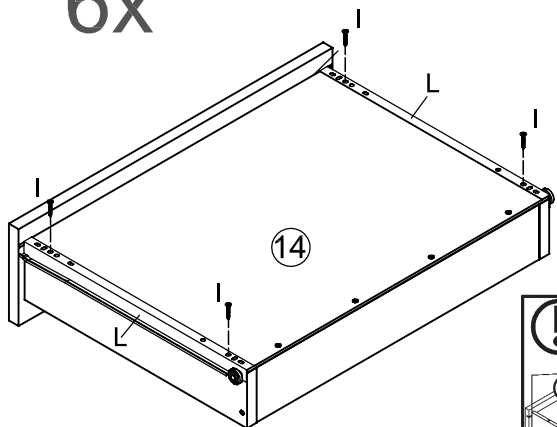
6x



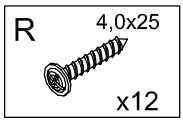
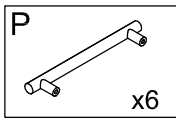
9e



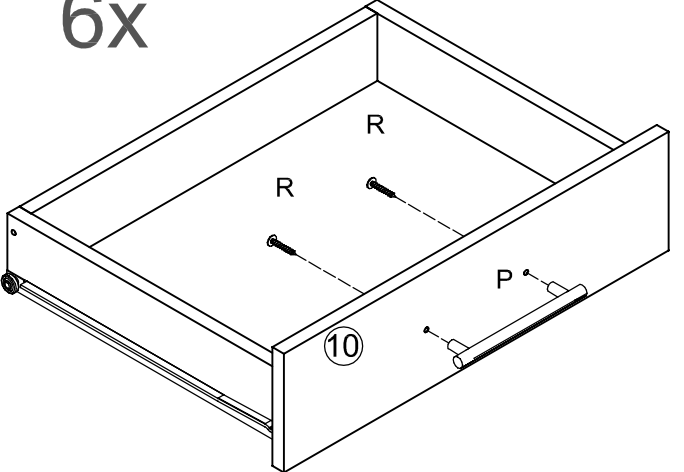
6x



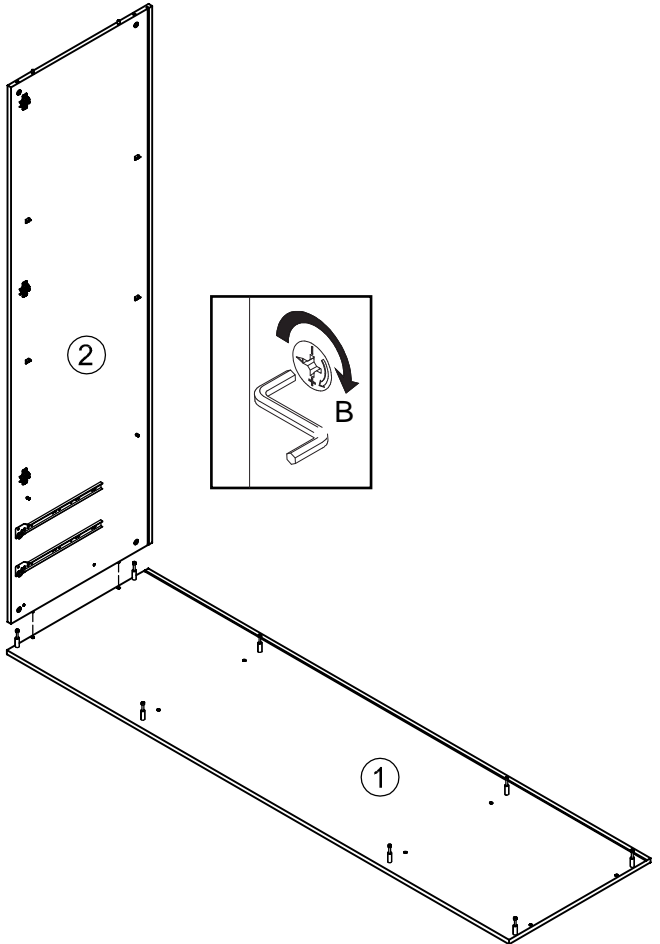
9f



6x

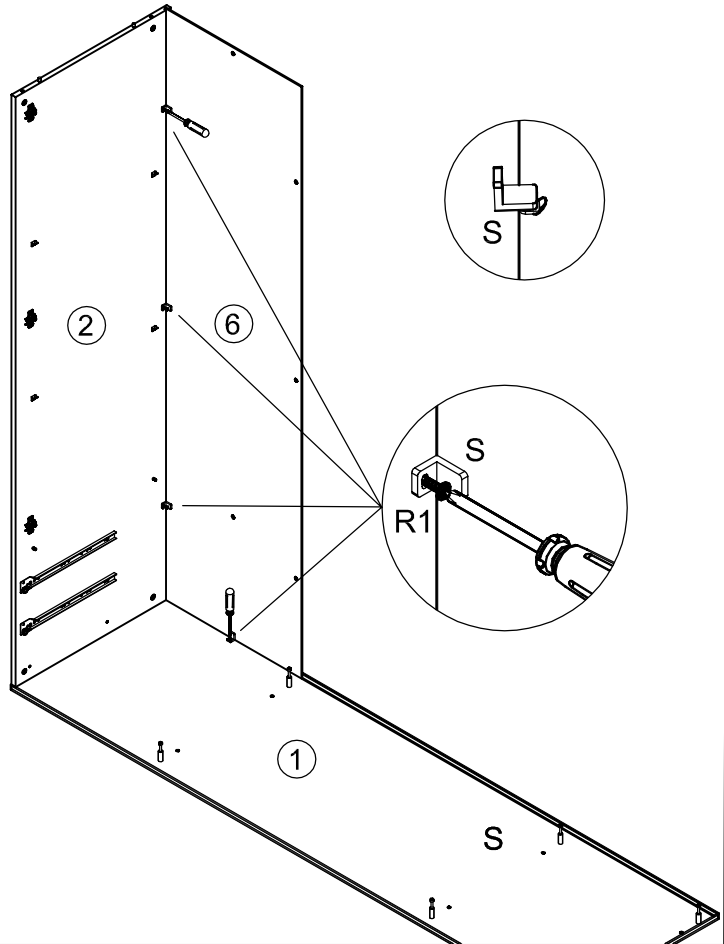


10

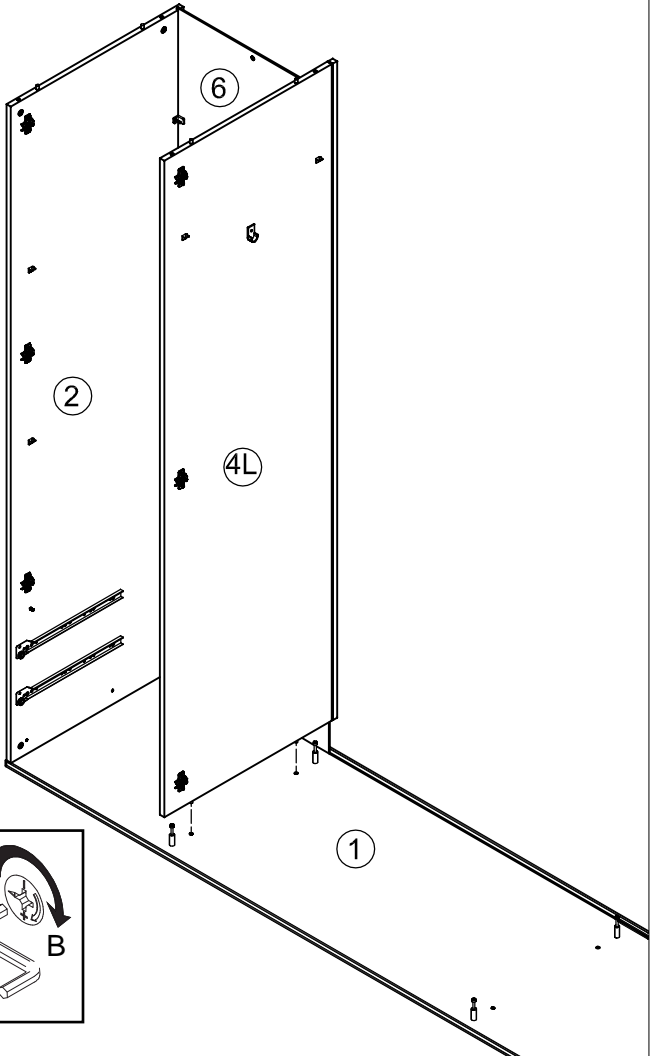


11

- S  x4
- R1  4,0x16 x4

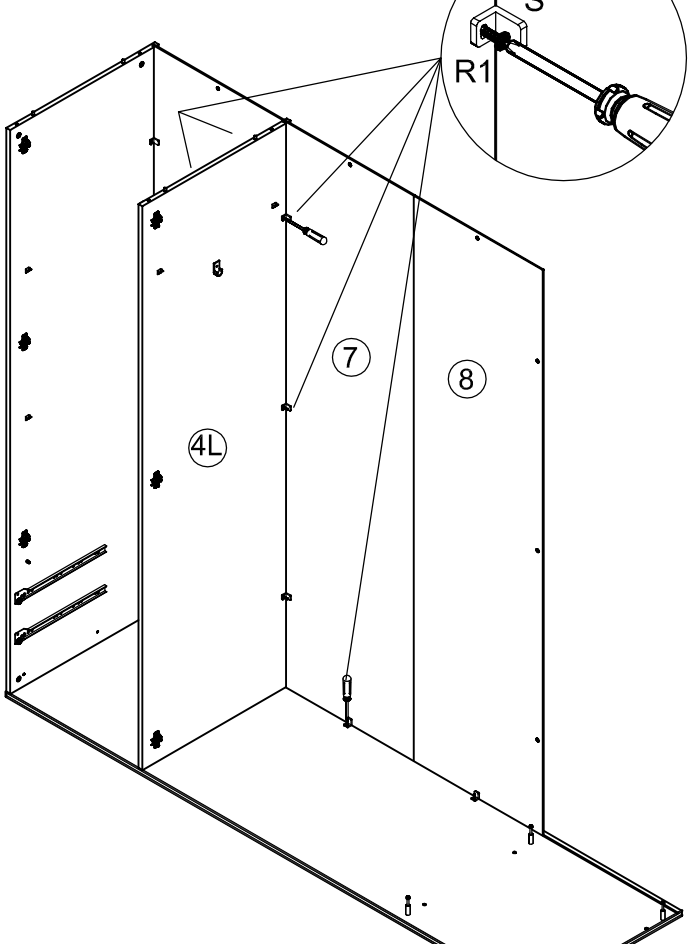


12



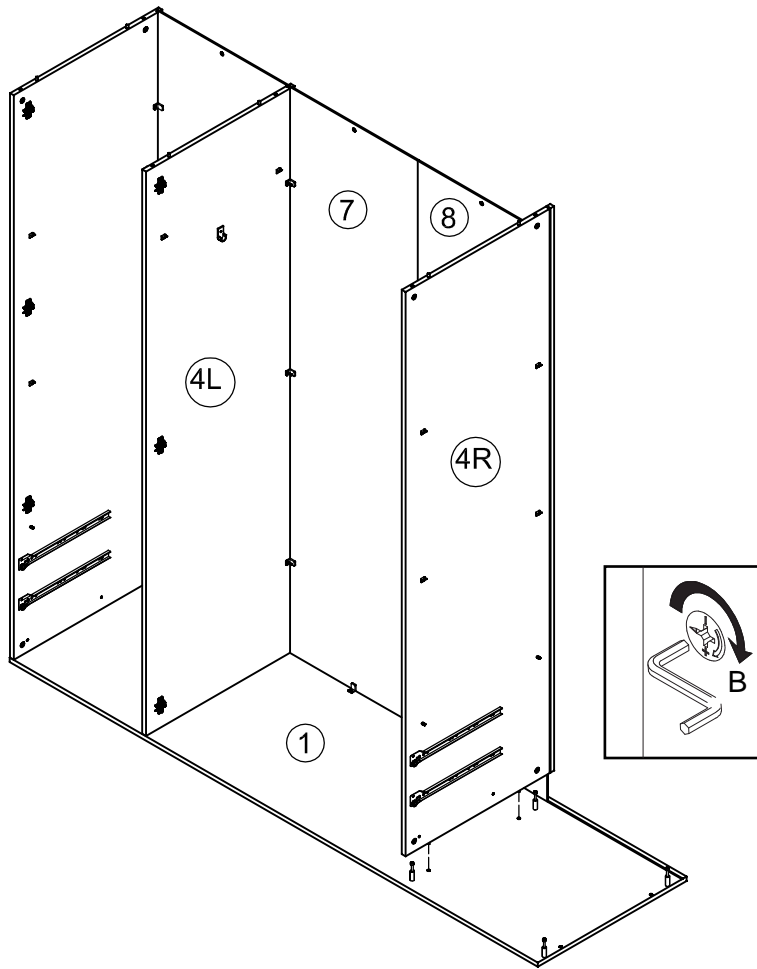
13

- S  x8
- R1  4,0x16 x8

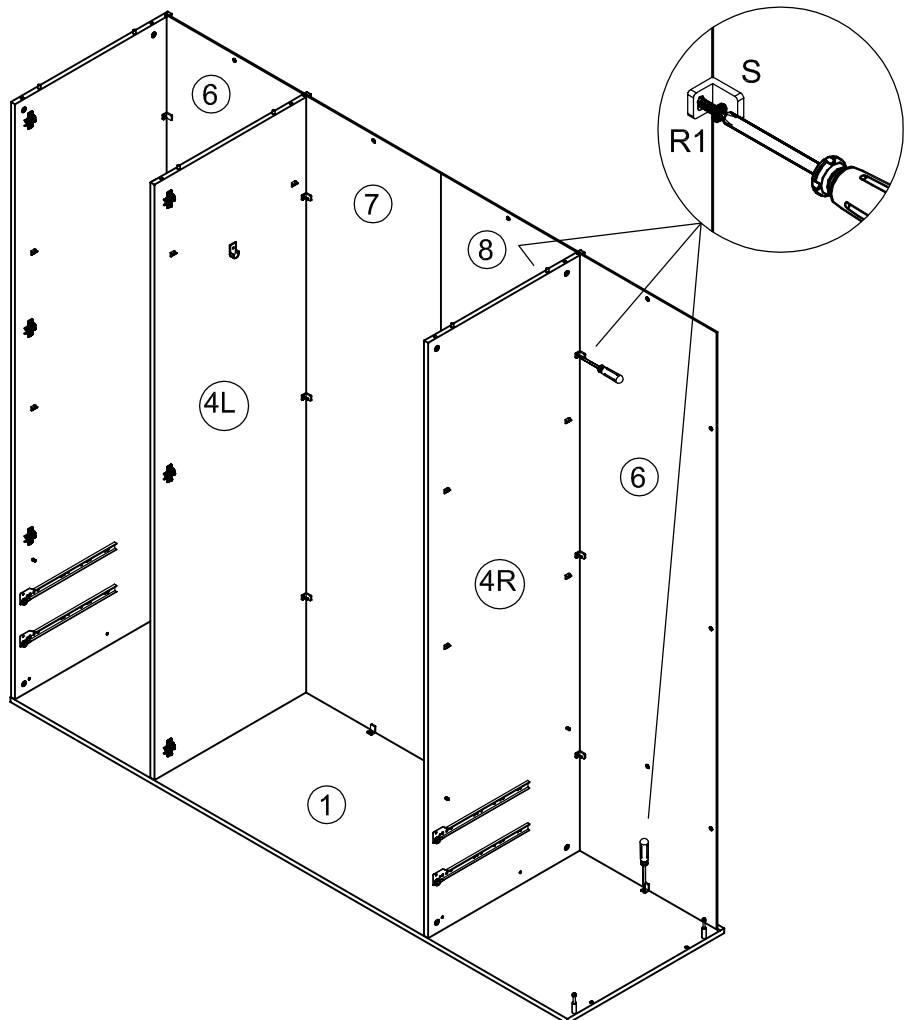
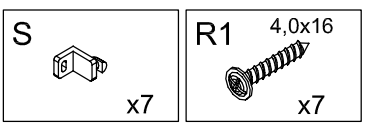




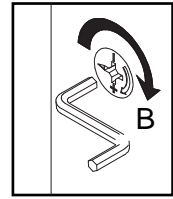
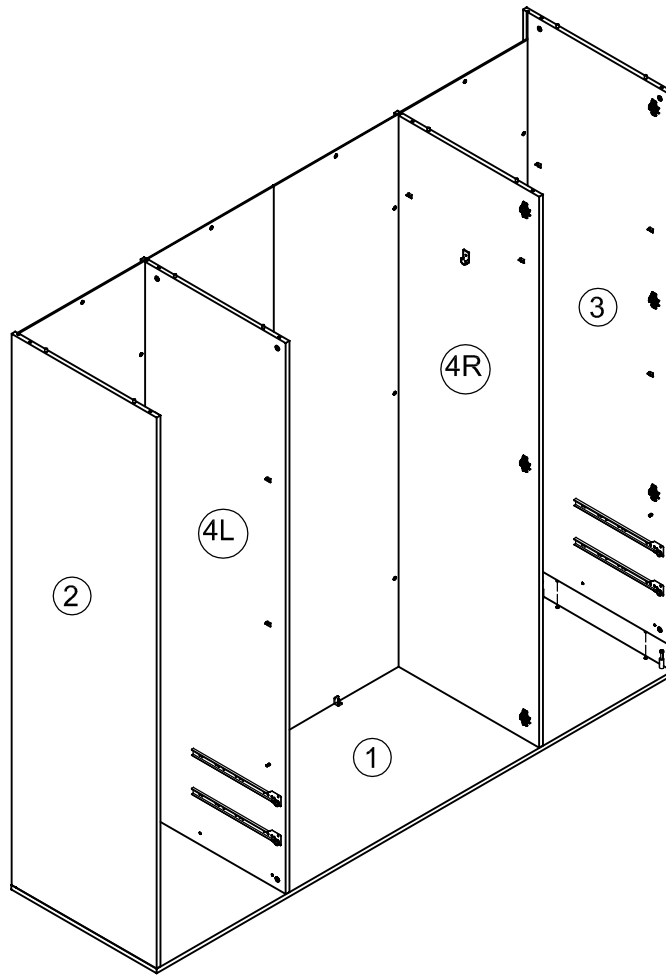
14



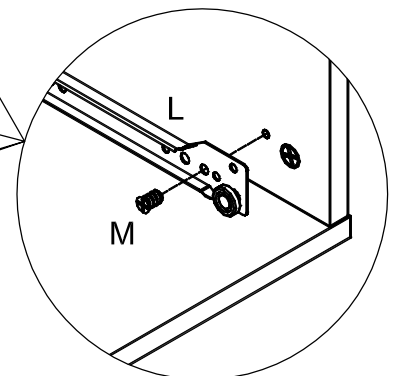
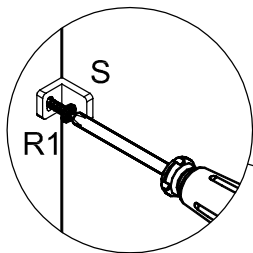
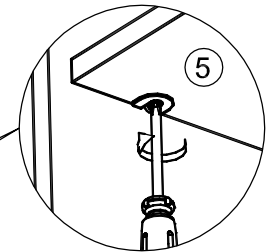
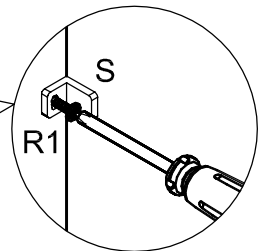
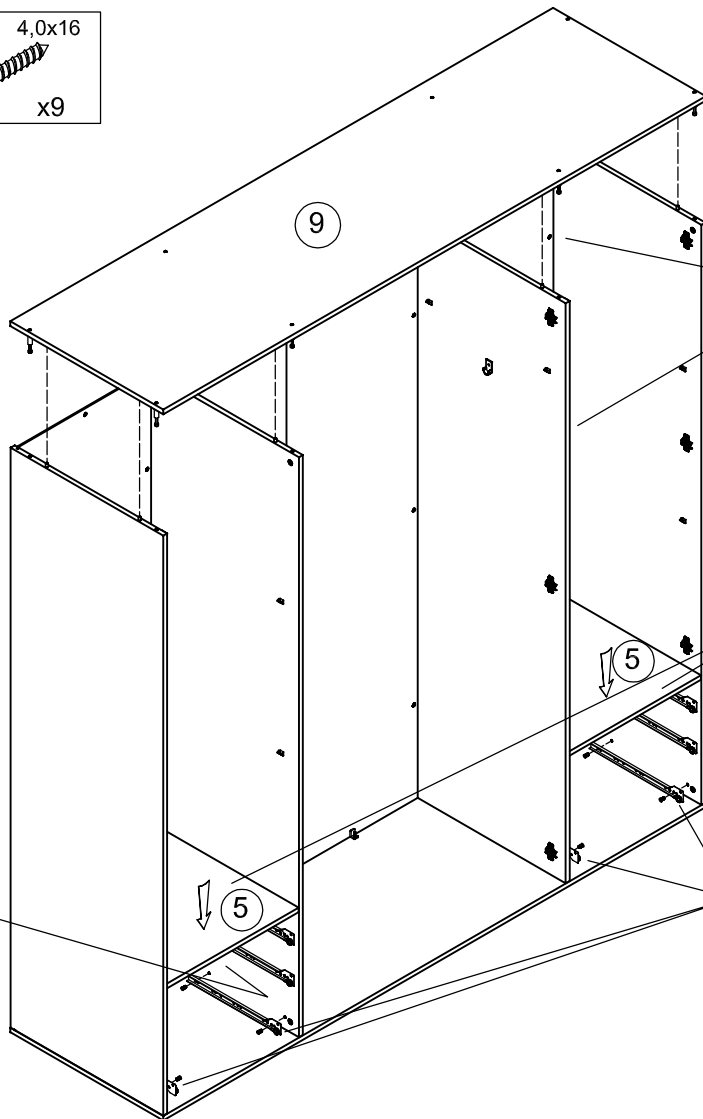
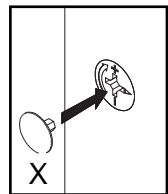
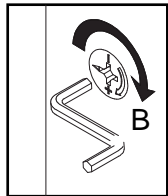
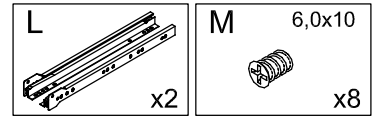
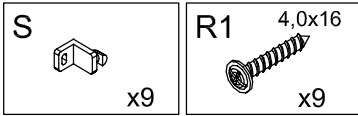
15

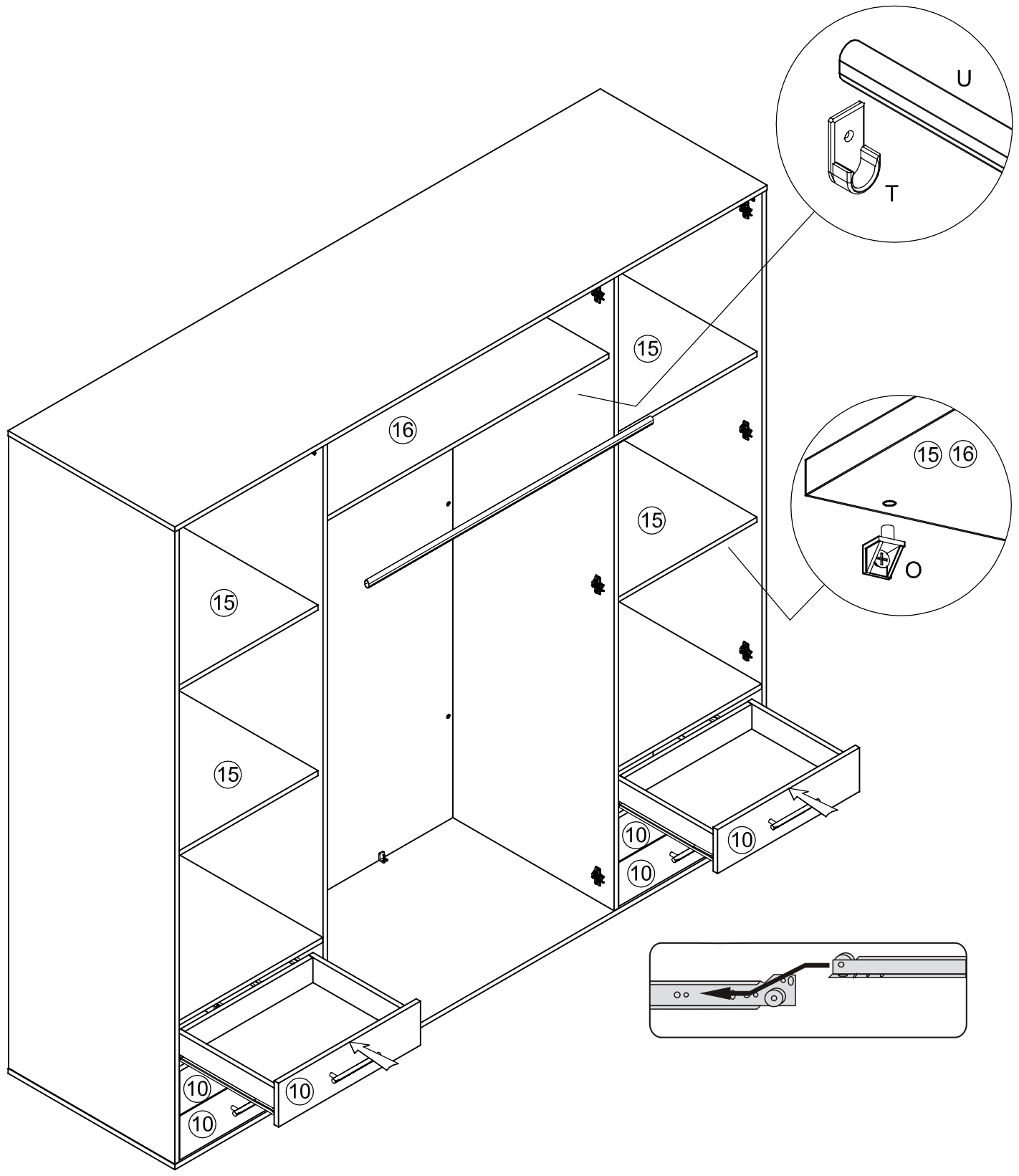
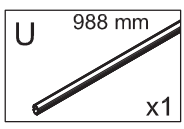


16

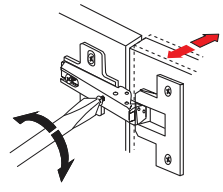
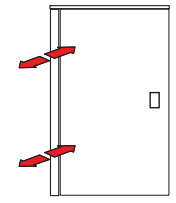
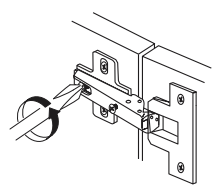
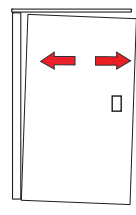
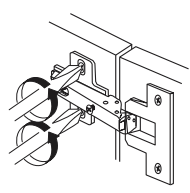
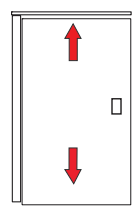
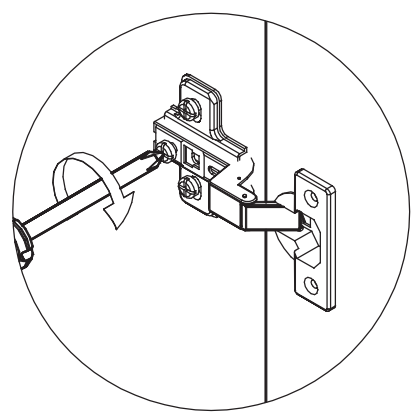
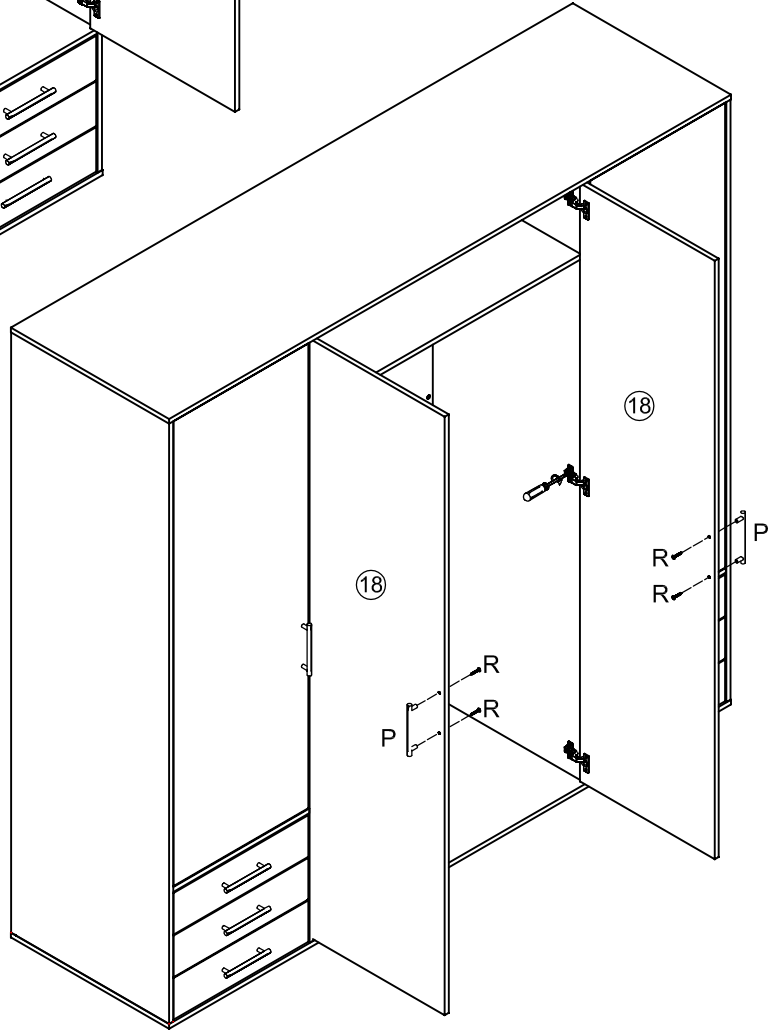
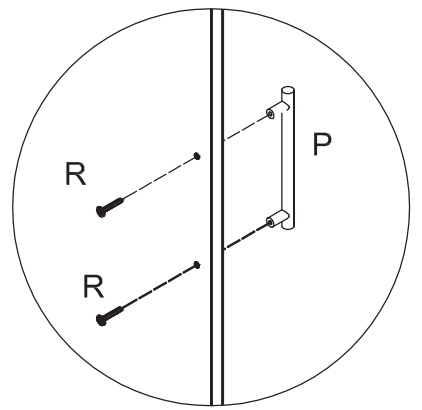
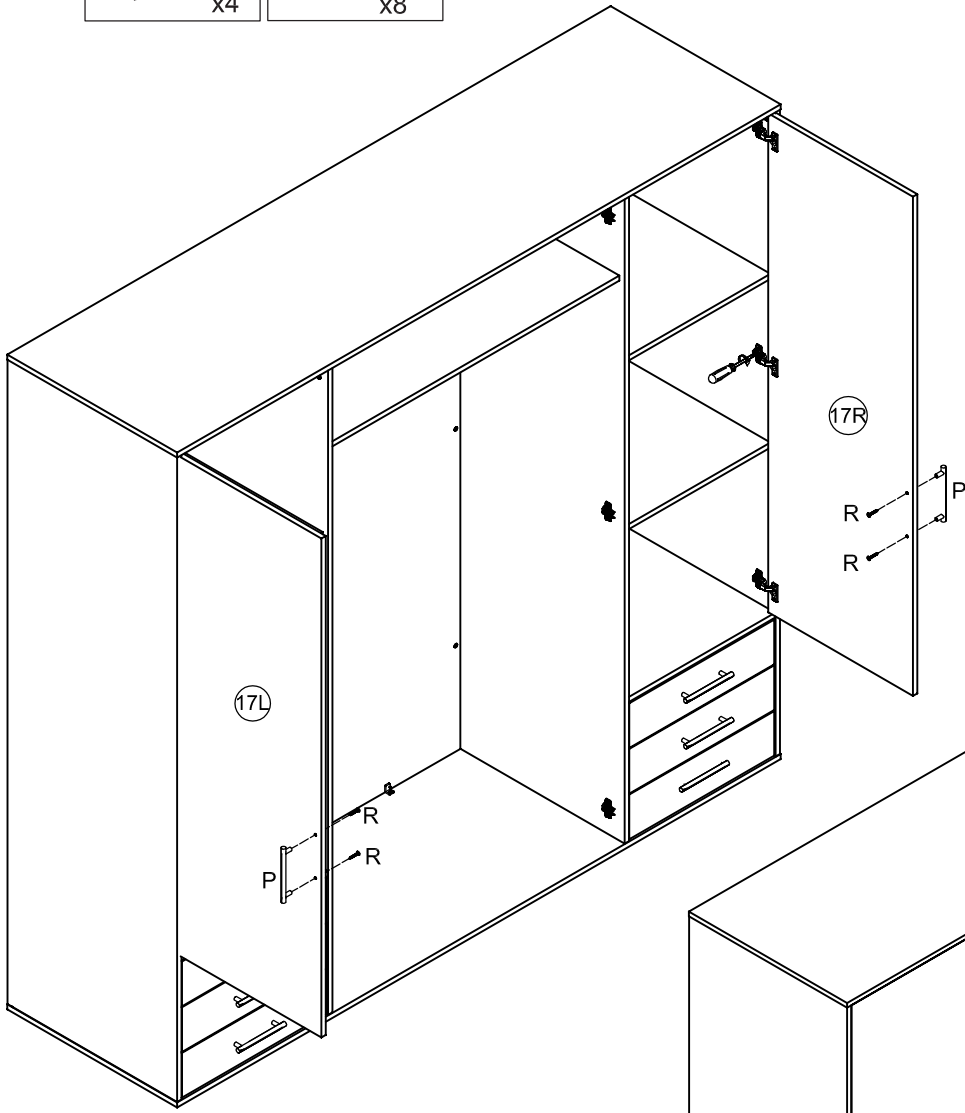
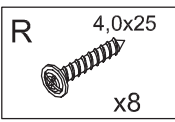
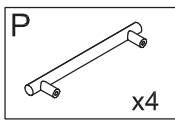


17





19



20

