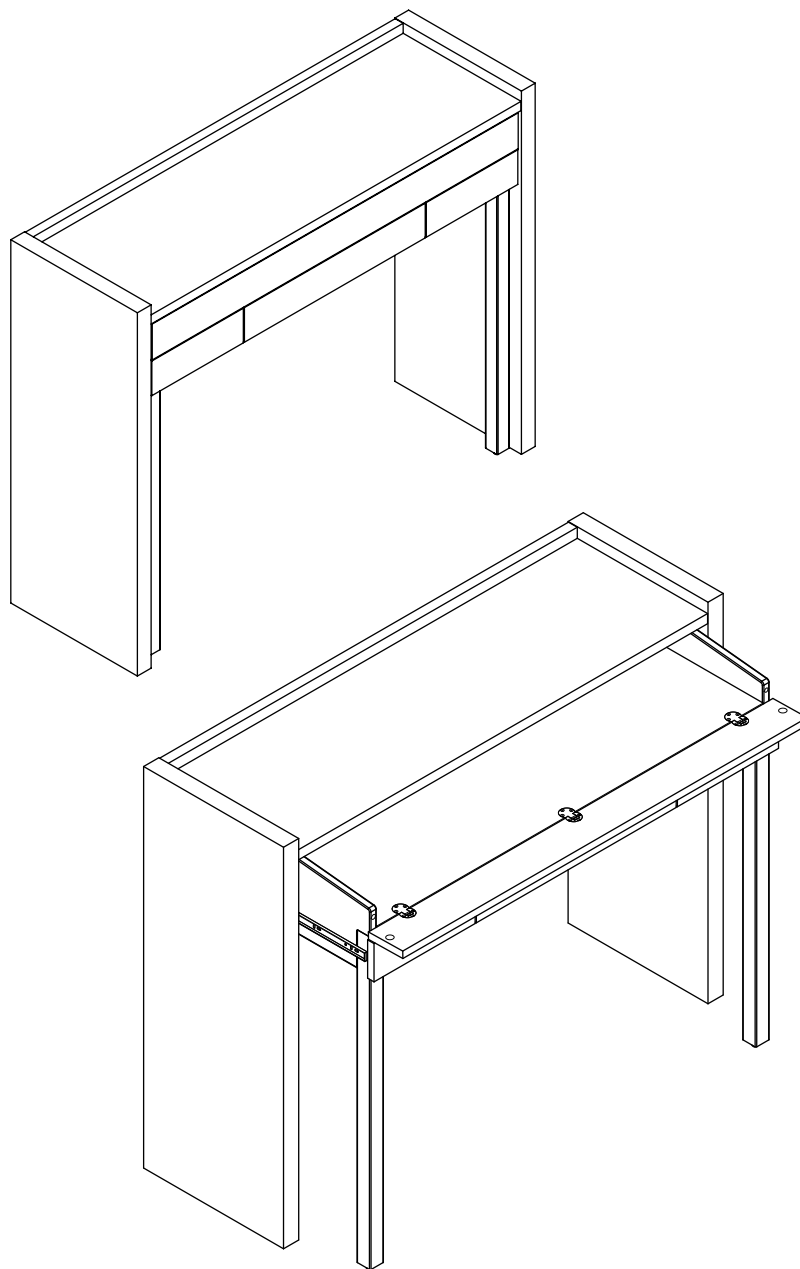


Assembly Instruction



110x36x87 (WxLxH, cm)



Reference no/Batch code :



Woodman OÜ

Made in Estonia
Mäo, Järvamaa
www.woodman.ee
support@woodman.ee

Dear Customer !

Congratulations on your new purchase. Follow this advice and get the best result when assembling the product.

Read the instruction carefully before you start

Get help, if two or more persons are required for assembly

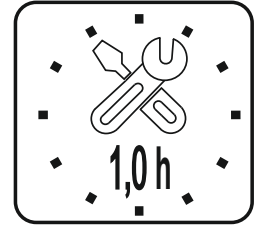
Make sure you have all parts on the total material list

Work on a soft, flat surface to avoid any damage to the finish

Follow the assembly instruction

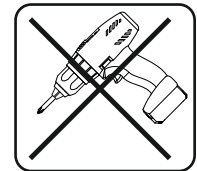
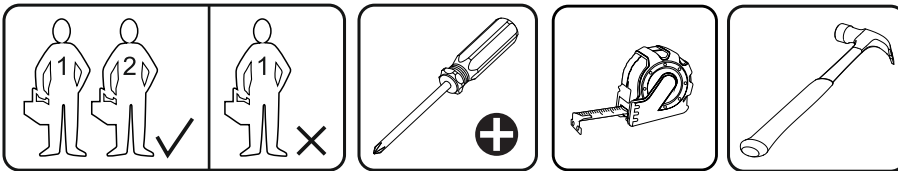
Tighten the furniture joints after a month

Keep the assembly instruction



Tools needed

Do not use !!!



Safety and Care Advice

Important - Please read these instructions fully before starting assembly

Check you have all the components and tools.

Remove all fittings from the plastic bags and separate them into their groups.

Keep children and animals away from the work area, small parts could choke if swallowed.

Make sure you have enough space to layout the parts before starting.

Do not stand or put weight on the product, this could cause damage.

Assemble the item as close to its final position (in the same room) as possible. Do not place furniture directly in front of radiators, fires or any other source of heat.



Parts of the assembly will be easier with 2 people.

Assemble on a soft level surface to avoid damaging the unit or your floor.



We do not recommend the use of power drill/drivers for inserting screws, as this could

damage the unit. Only use hand screwdrivers.

Dispose of all packaging carefully and responsibly.

General care and maintenance

Only clean using a damp cloth and mild detergent, do not use bleach or abrasive cleaners.

From time to time check that there are no loose screws and connectors on this unit.

This product should not be discarded with household waste. Take to your local authority waste disposal centre.

Cleaning and care of lacquered surfaces

Regular dusting with a dry cloth will keep your units clean.

Do not clean with products containing the following: Acetone, (e.g. nail varnish remover). Ammonia (e.g. bleach). or Sodium hydroxide (e.g. Caustic soda, drain and oven cleaners).

Clean marks with a damp cloth.

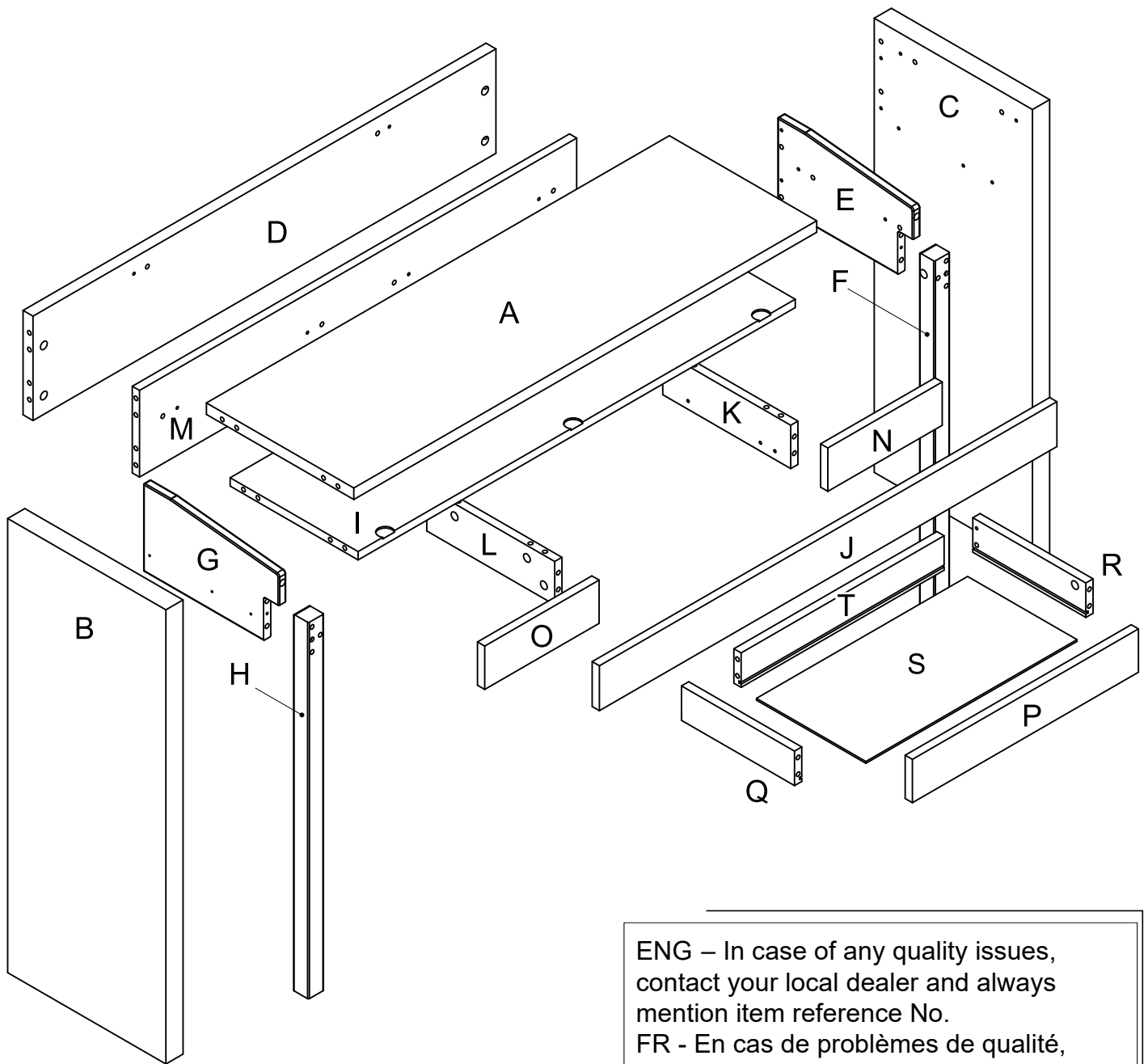
Do not use abrasive cleaners.

In the event of accidental contact with aggressive cleaners, rinse thoroughly with water.

Do not allow spillages to stay on the surface for long.

To remove stubborn stains, wipe over with a damp cloth and washing up liquid.

Use place mats to protect the surface from moisture and heat.



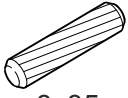

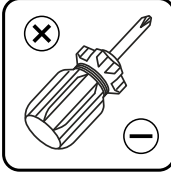
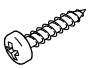

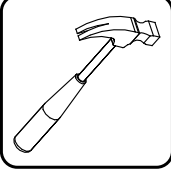
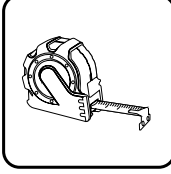

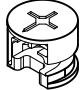

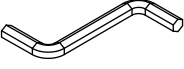

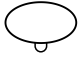
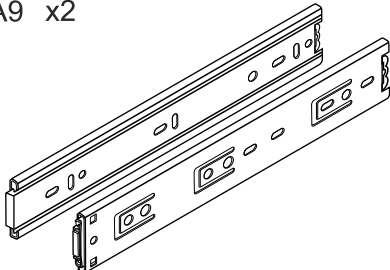
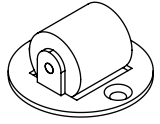
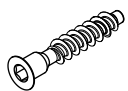

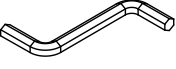
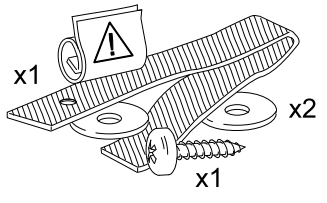
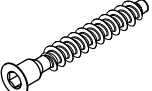
ENG – In case of any quality issues, contact your local dealer and always mention item reference No.

FR - En cas de problèmes de qualité, contactez votre revendeur local et mentionnez toujours la référence de l'article.

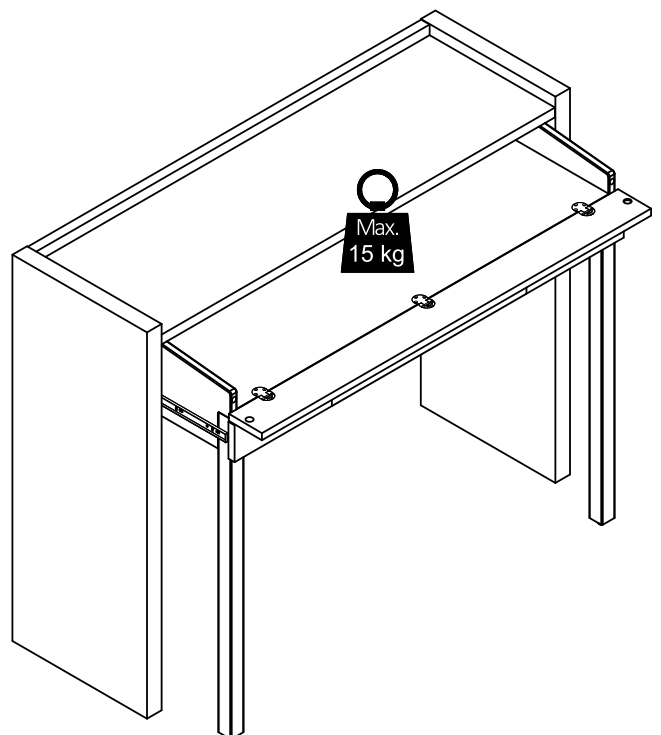
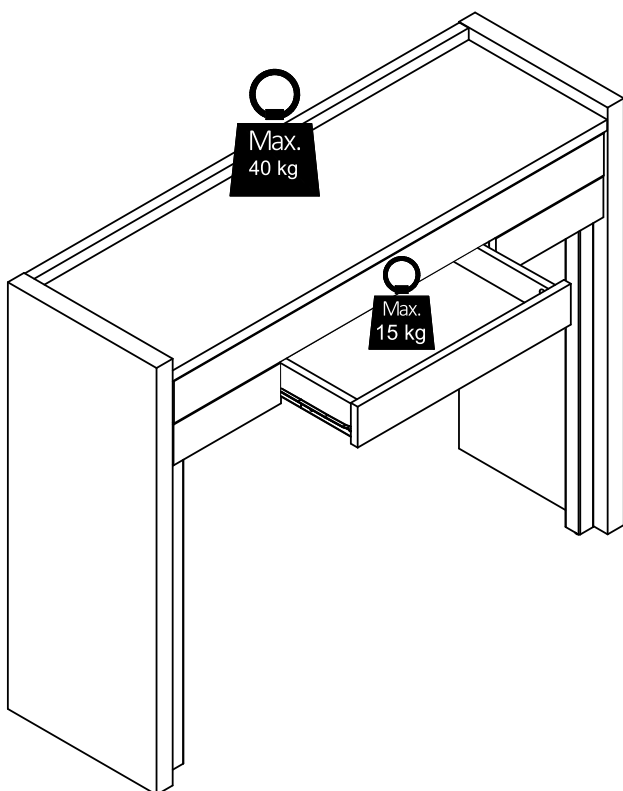
IT - In caso di eventuali problemi di qualità, contattare il rivenditore locale e citare sempre punto di riferimento No.

ES - En caso de problemas de calidad, póngase en contacto con su distribuidor local y mencione siempre la referencia del artículo.

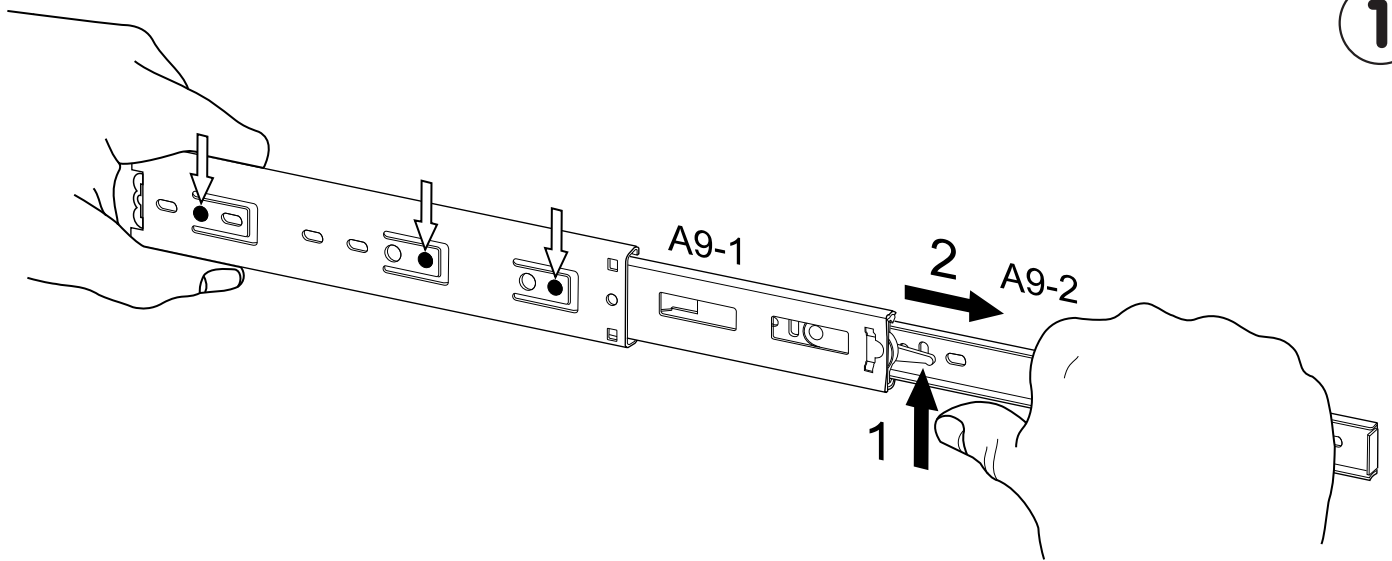
DE - Wenn Sie Qualitätsprobleme haben wenden Sie sich bitte an ihren örtlichen Händler und erwähnen Sie immer die Artikelnummer.

A1 8x35 x40		 	A12 3,5x12 x6		
A2 7x24 x30			 	A13 3,0x15 x6	
A3 x30				A14 x3	
A4 4 mm x1		A9 x2	A15 2,5x13 x22		
A5			A16 x2		
A6 5x50 x4			A10 x1	A17 x4	
A7 3 mm x1		1xL 1xR	A18 x1		
A8 5x60 x2		A11 6x13 x12			

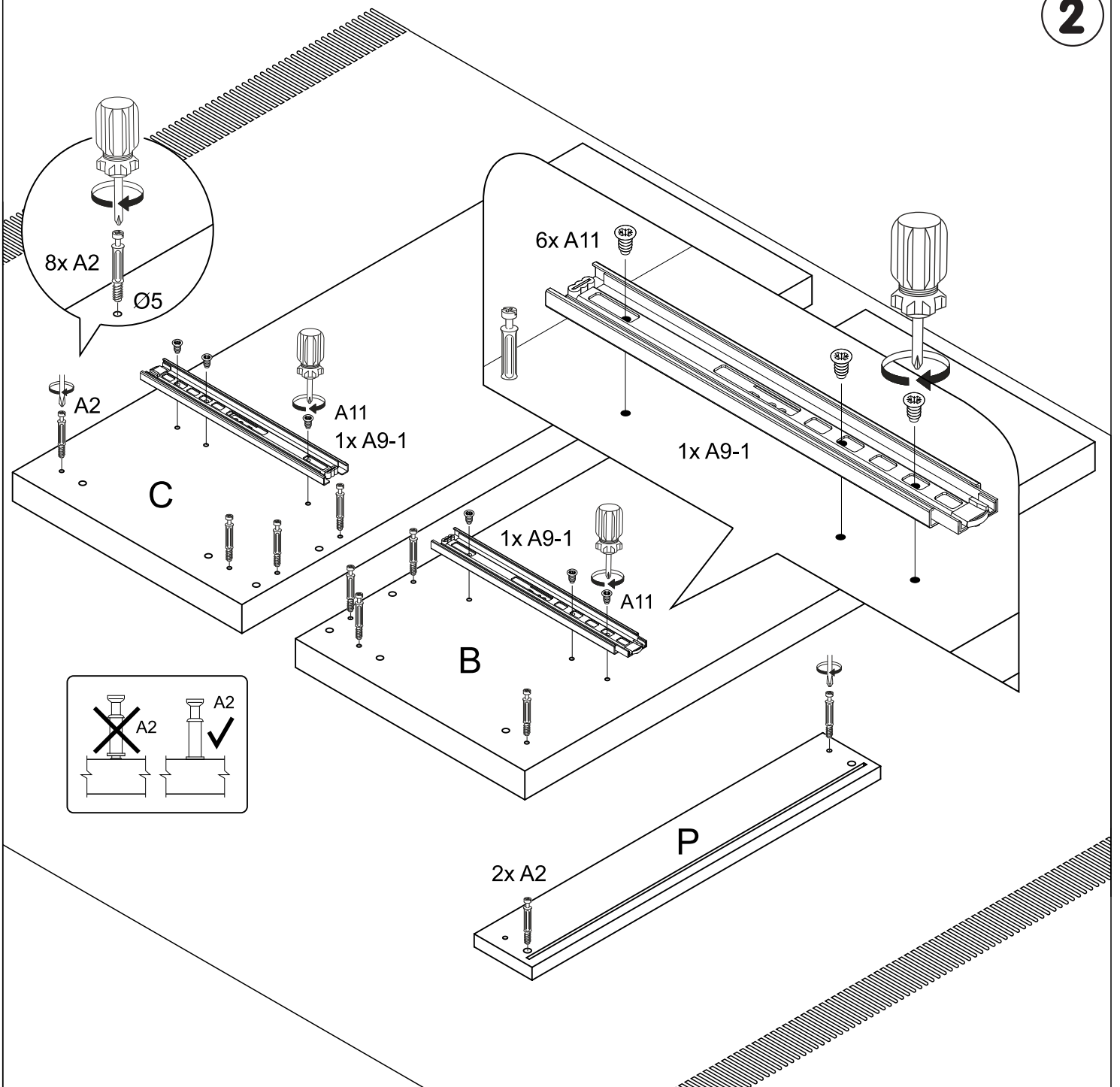
Maximum weight limit

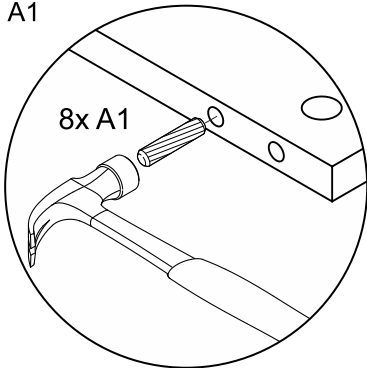
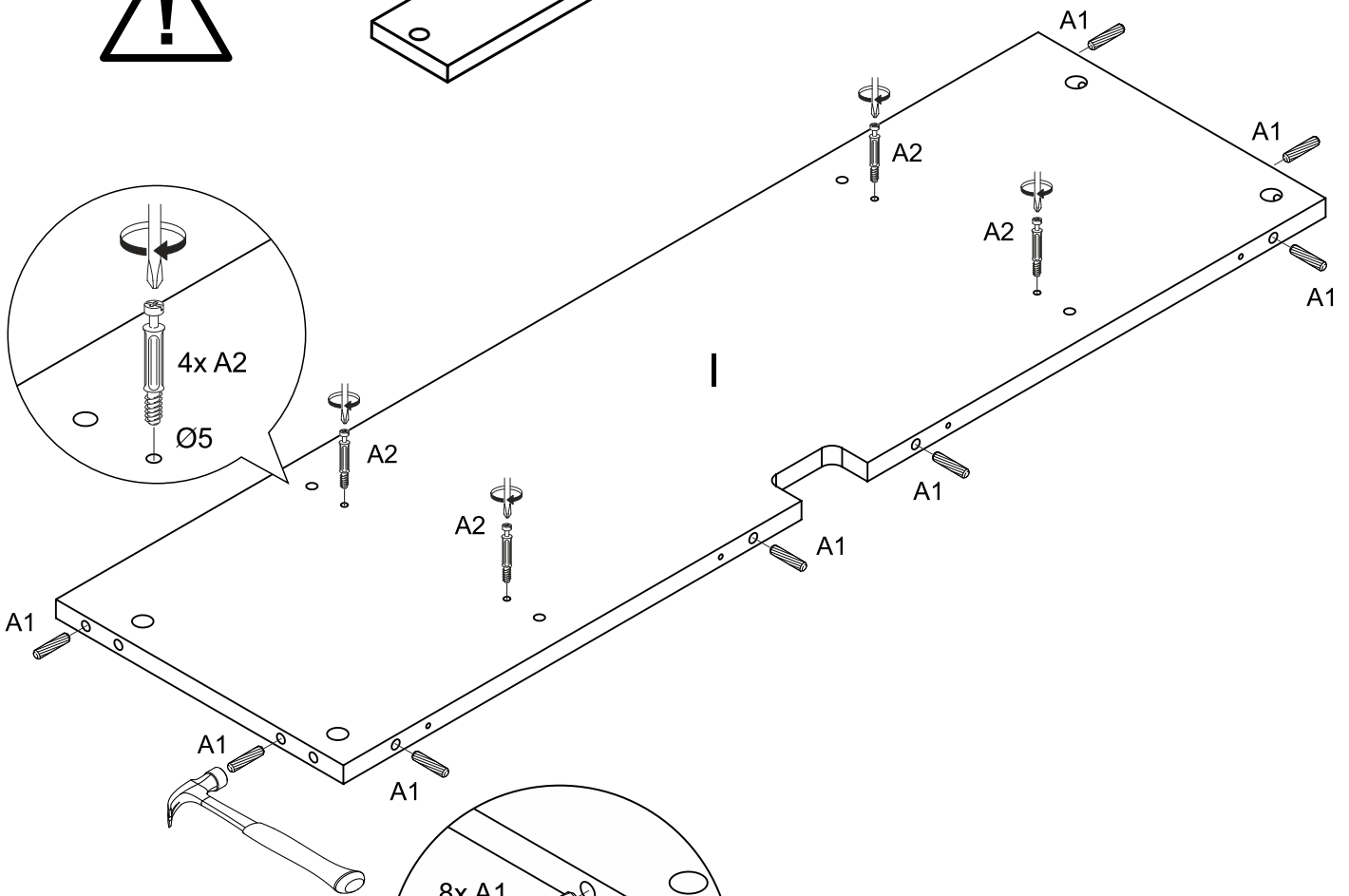
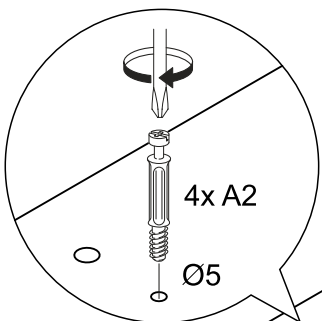
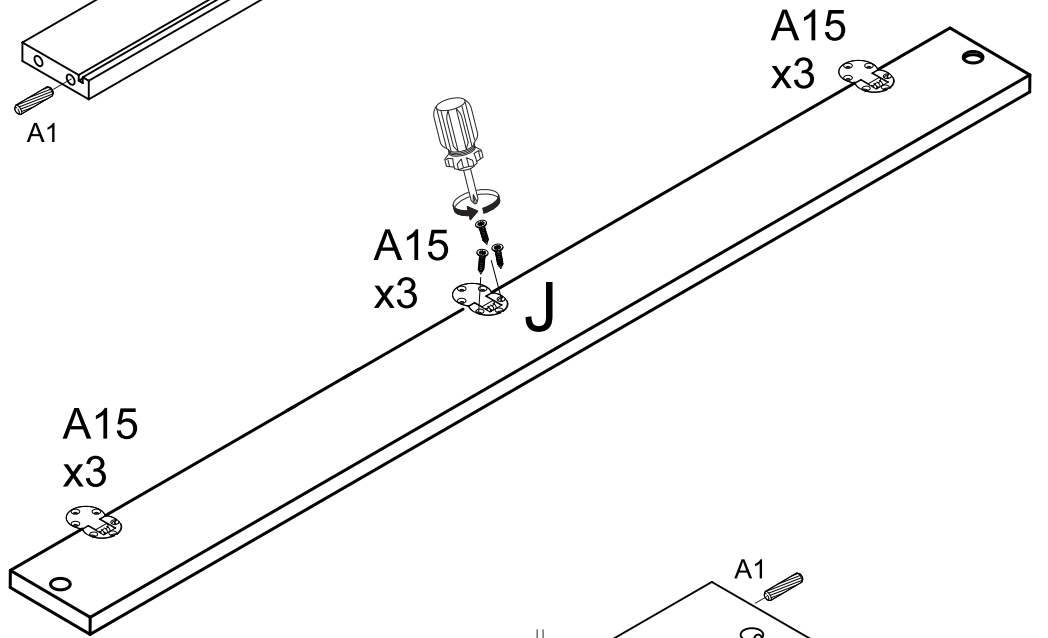
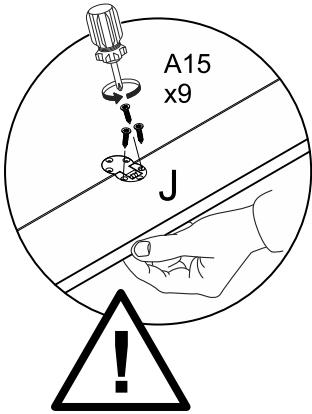
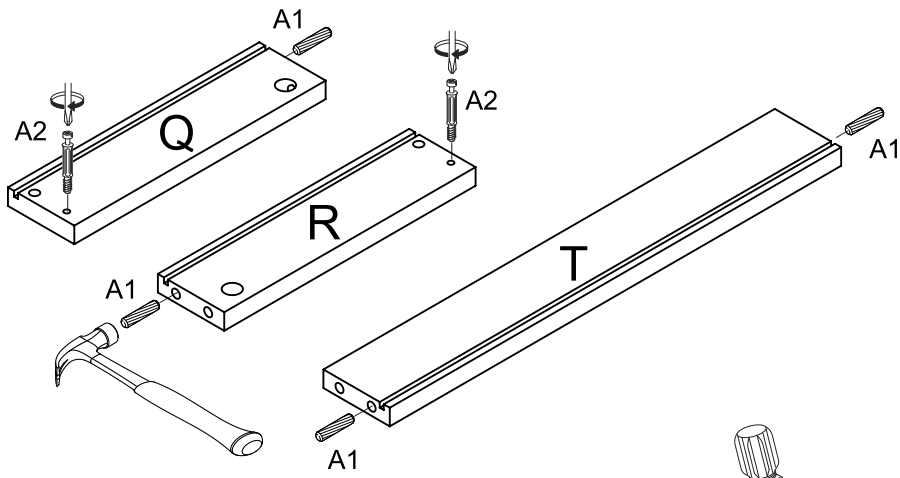


1

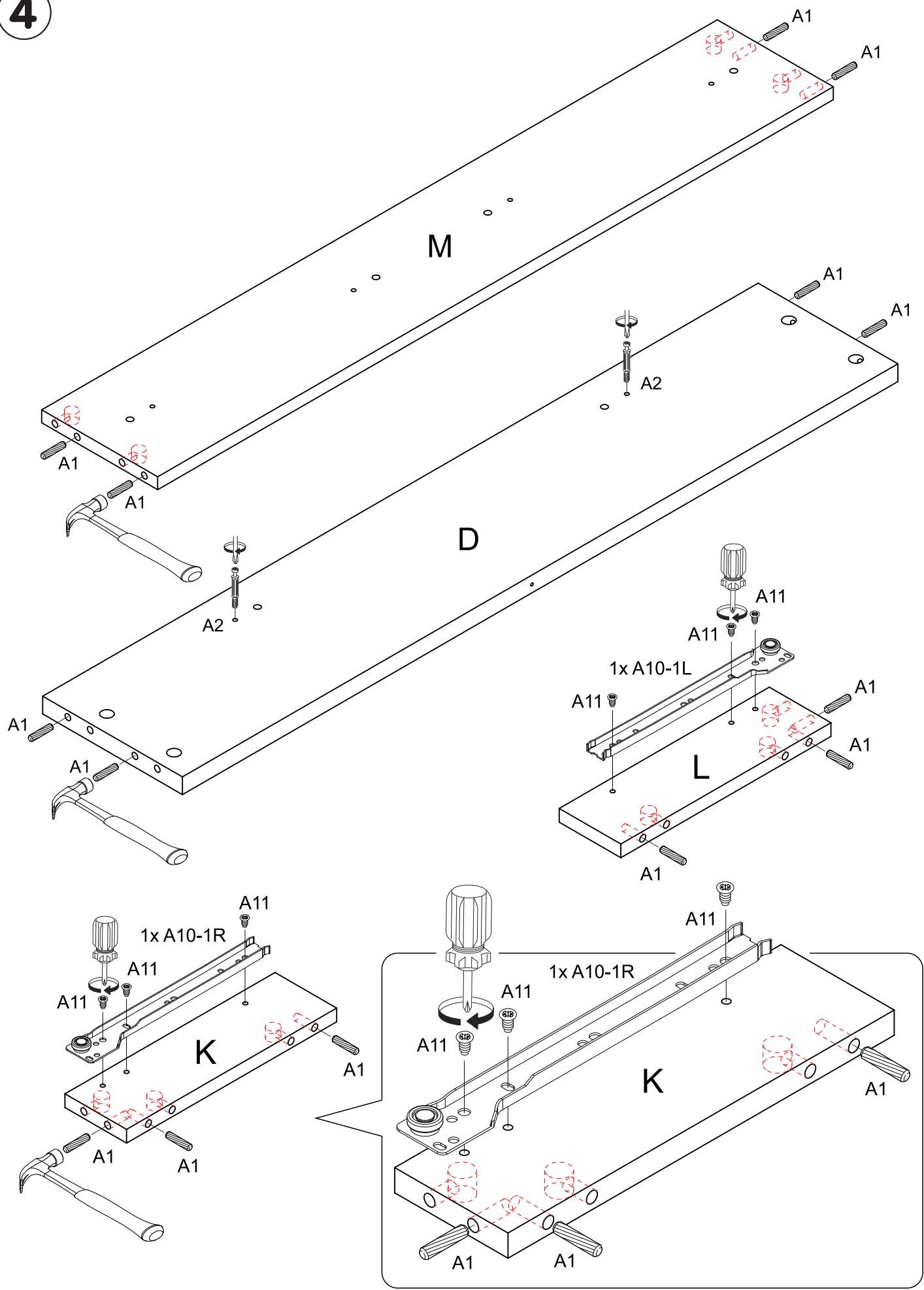


2

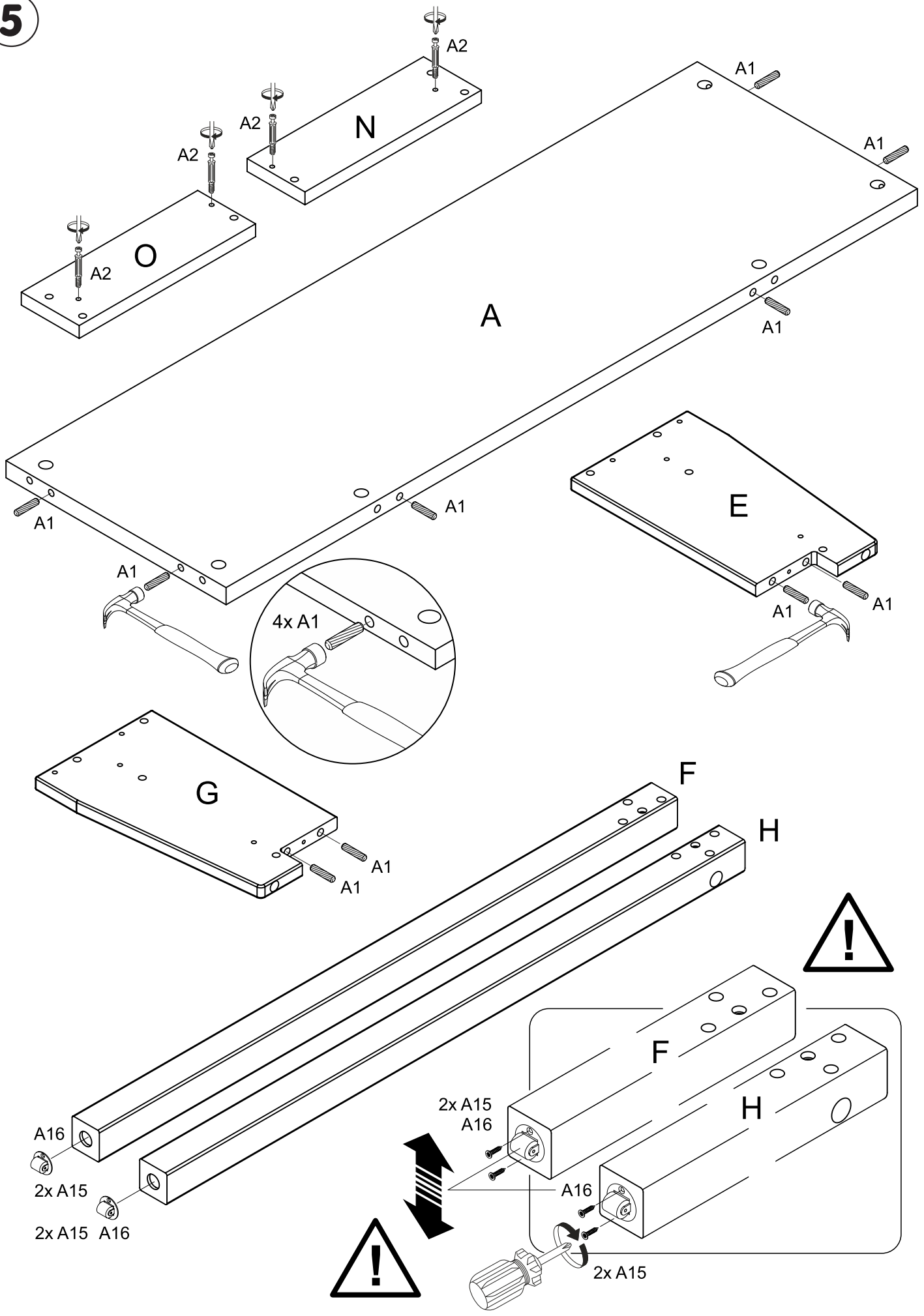




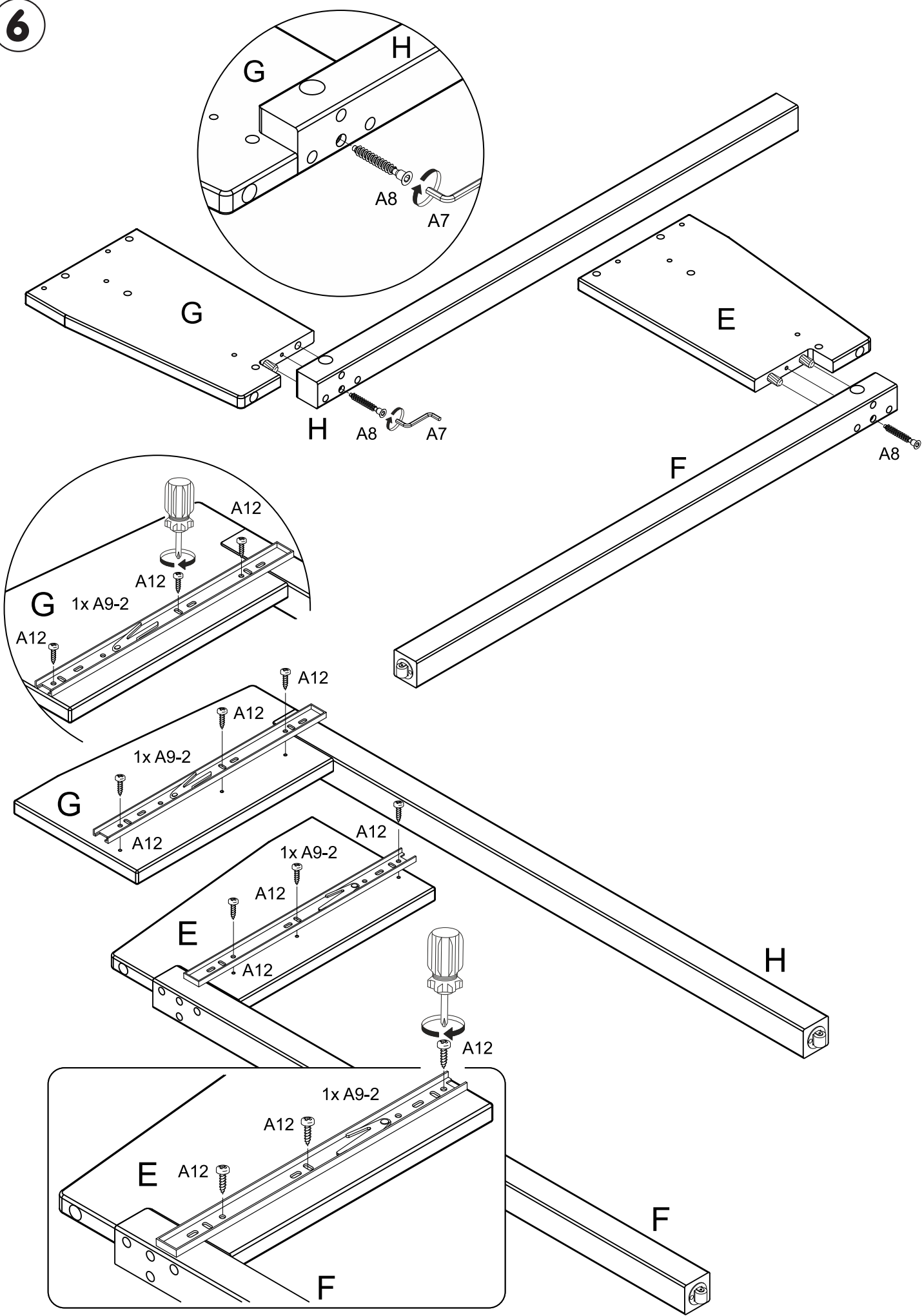
4



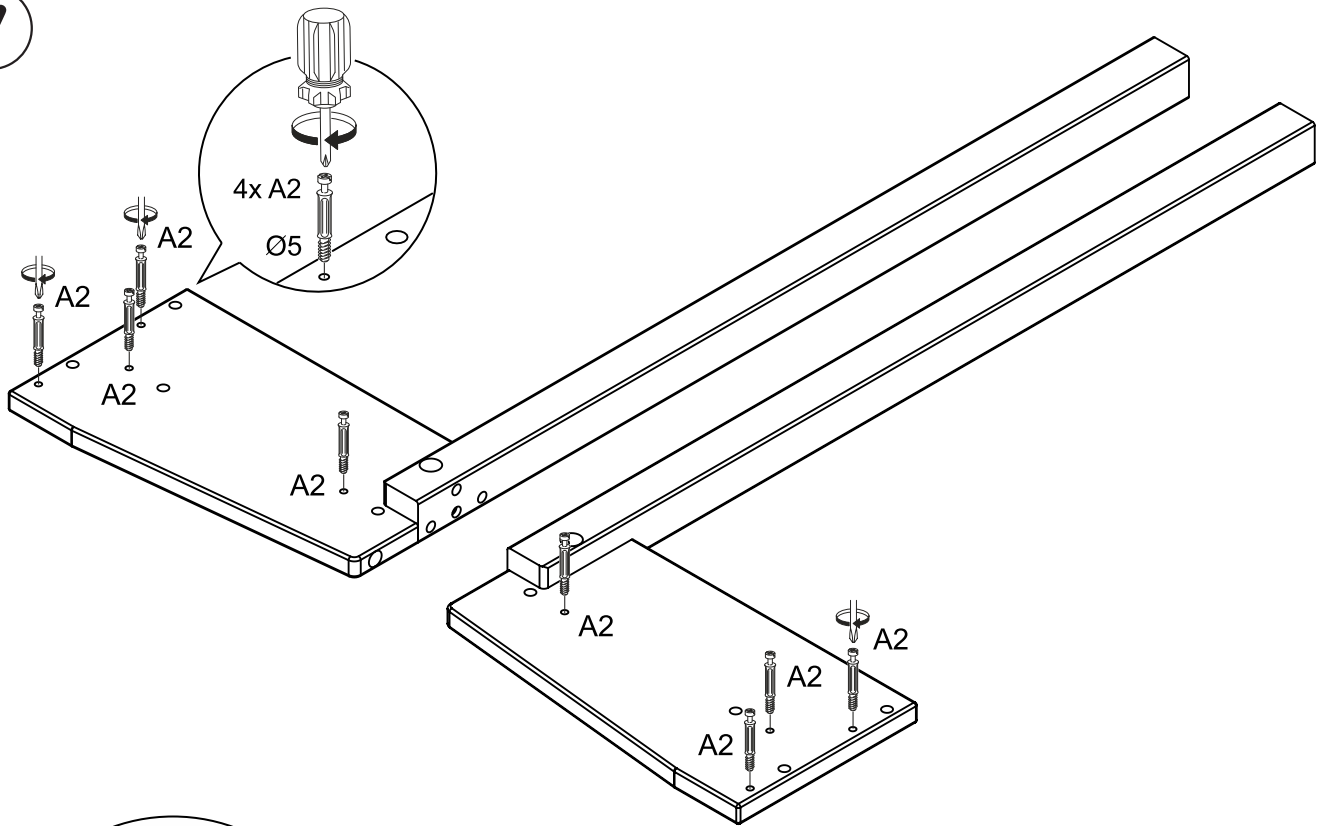
5



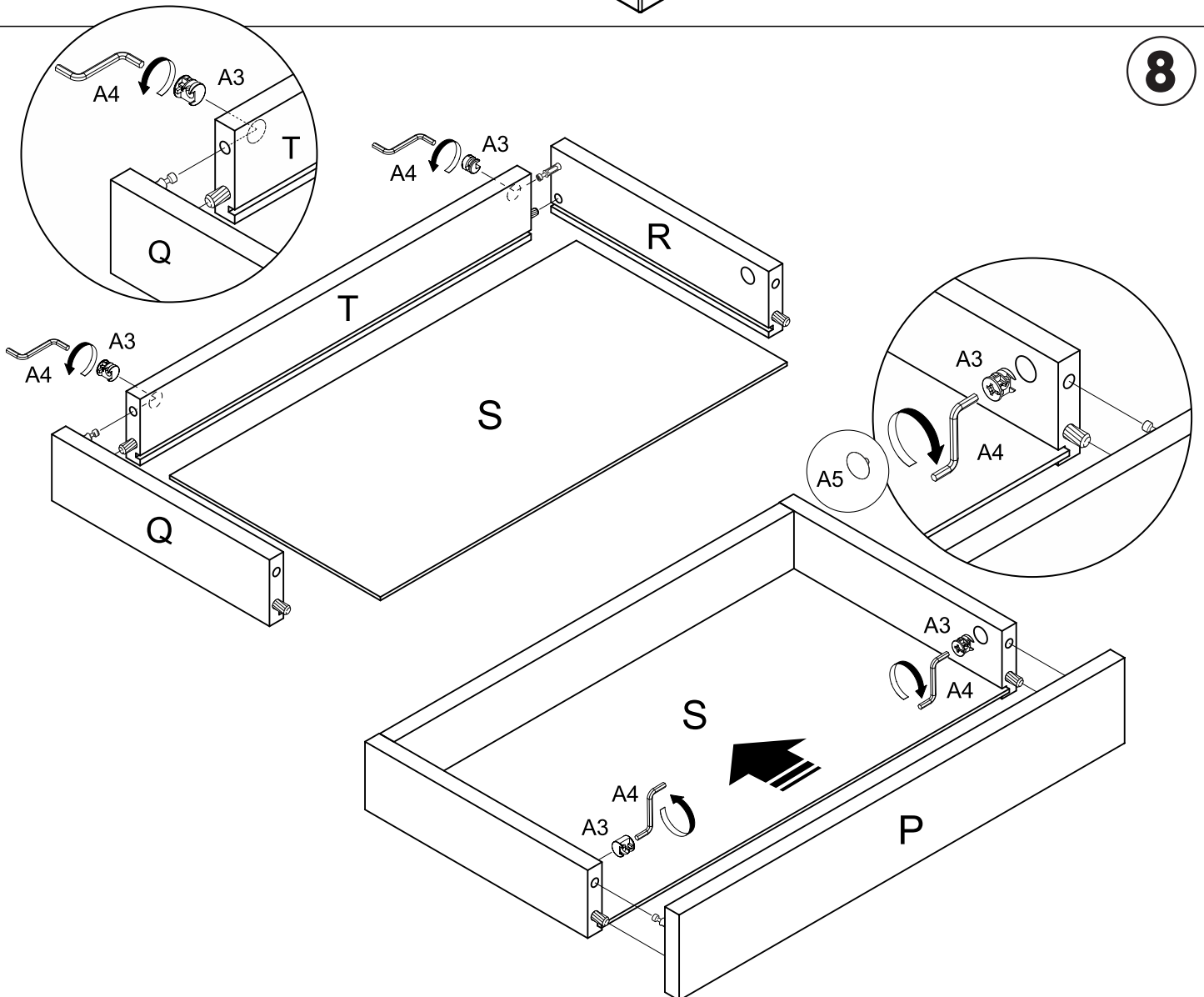
6

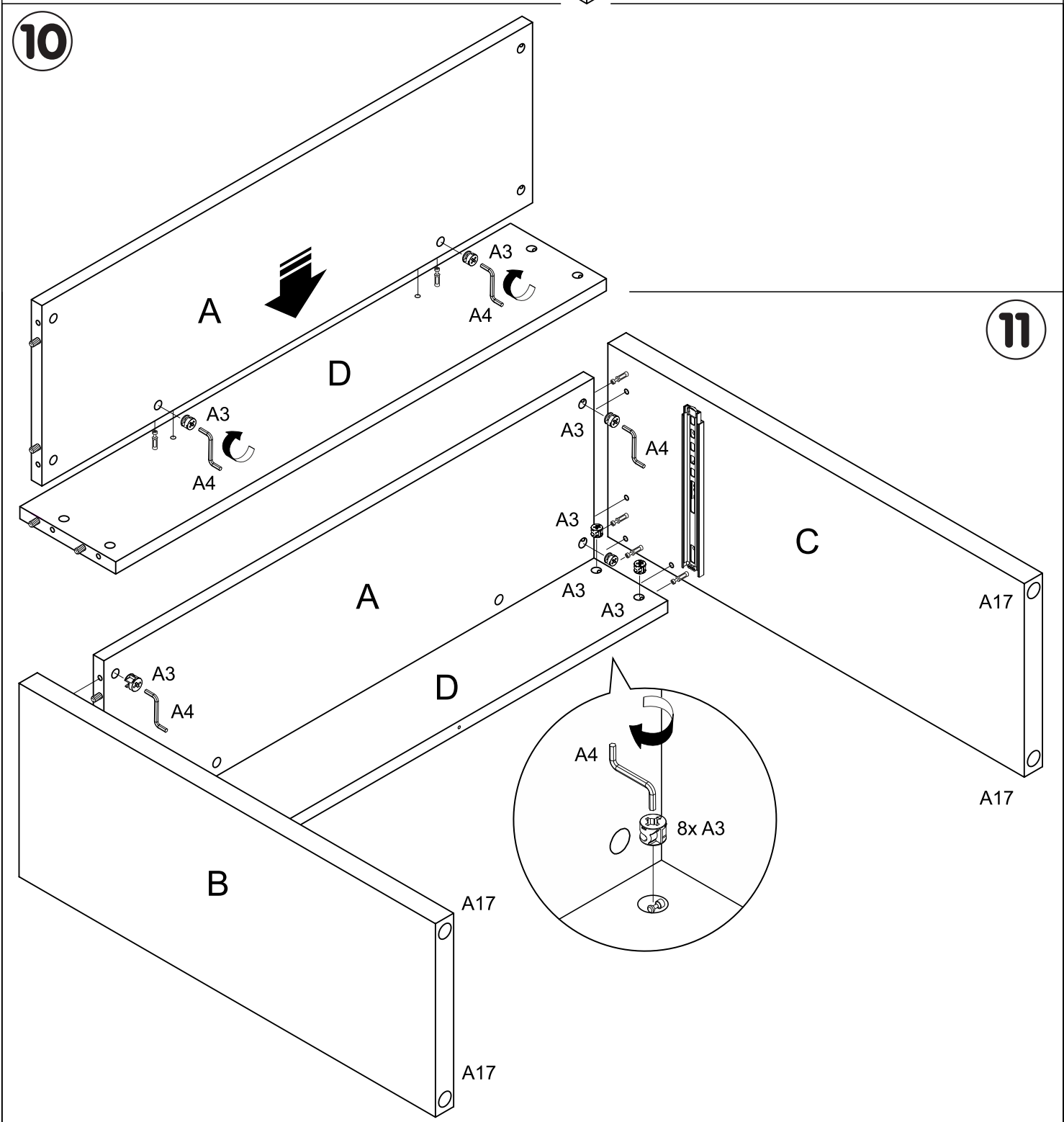
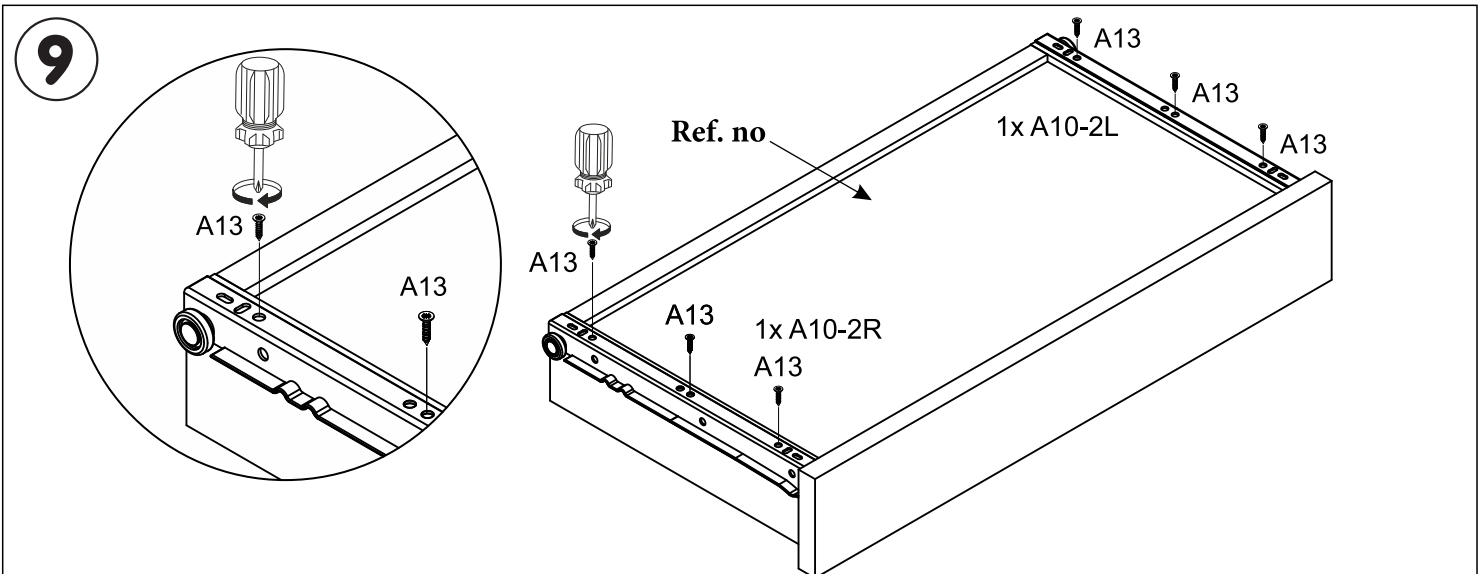


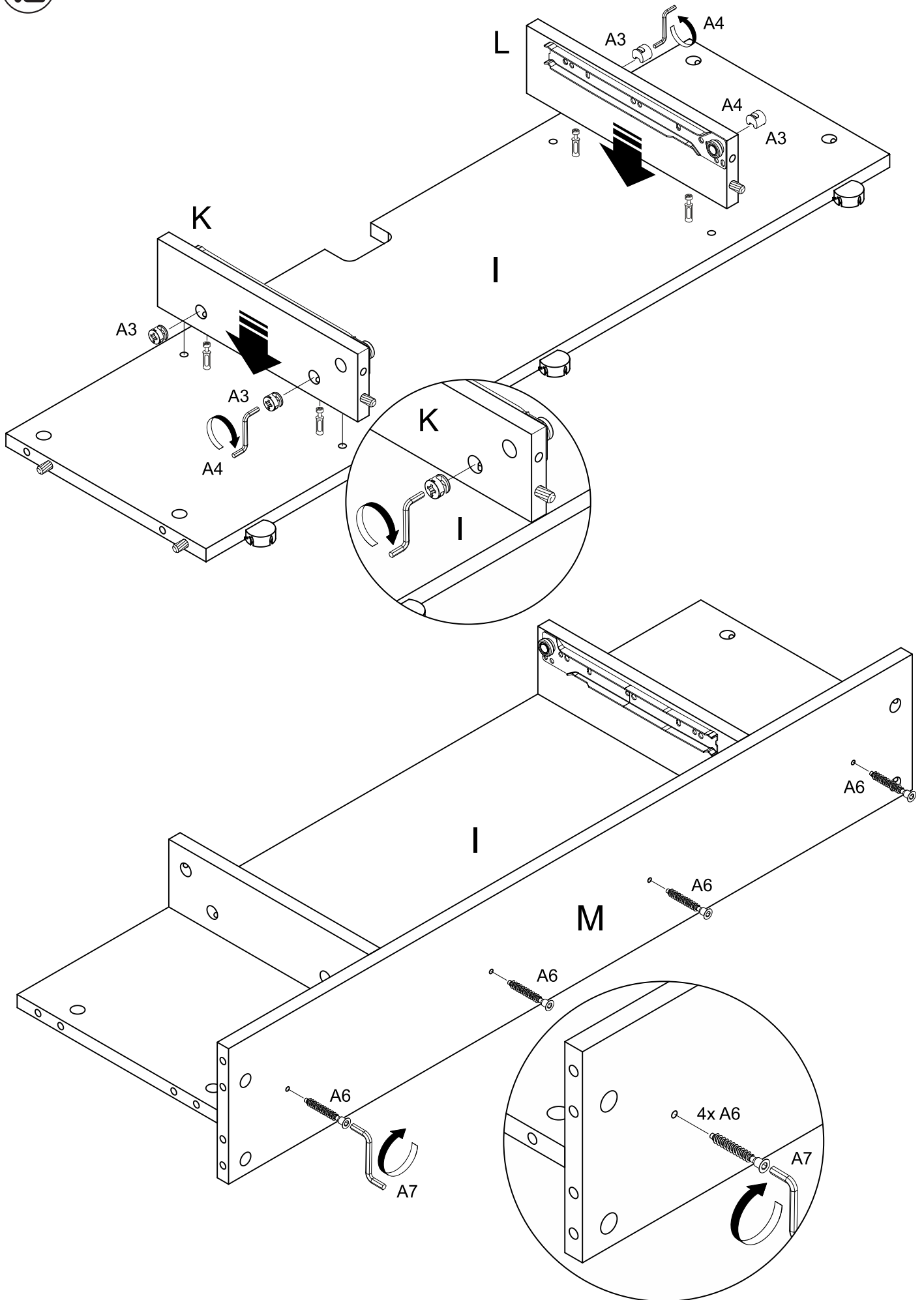
7

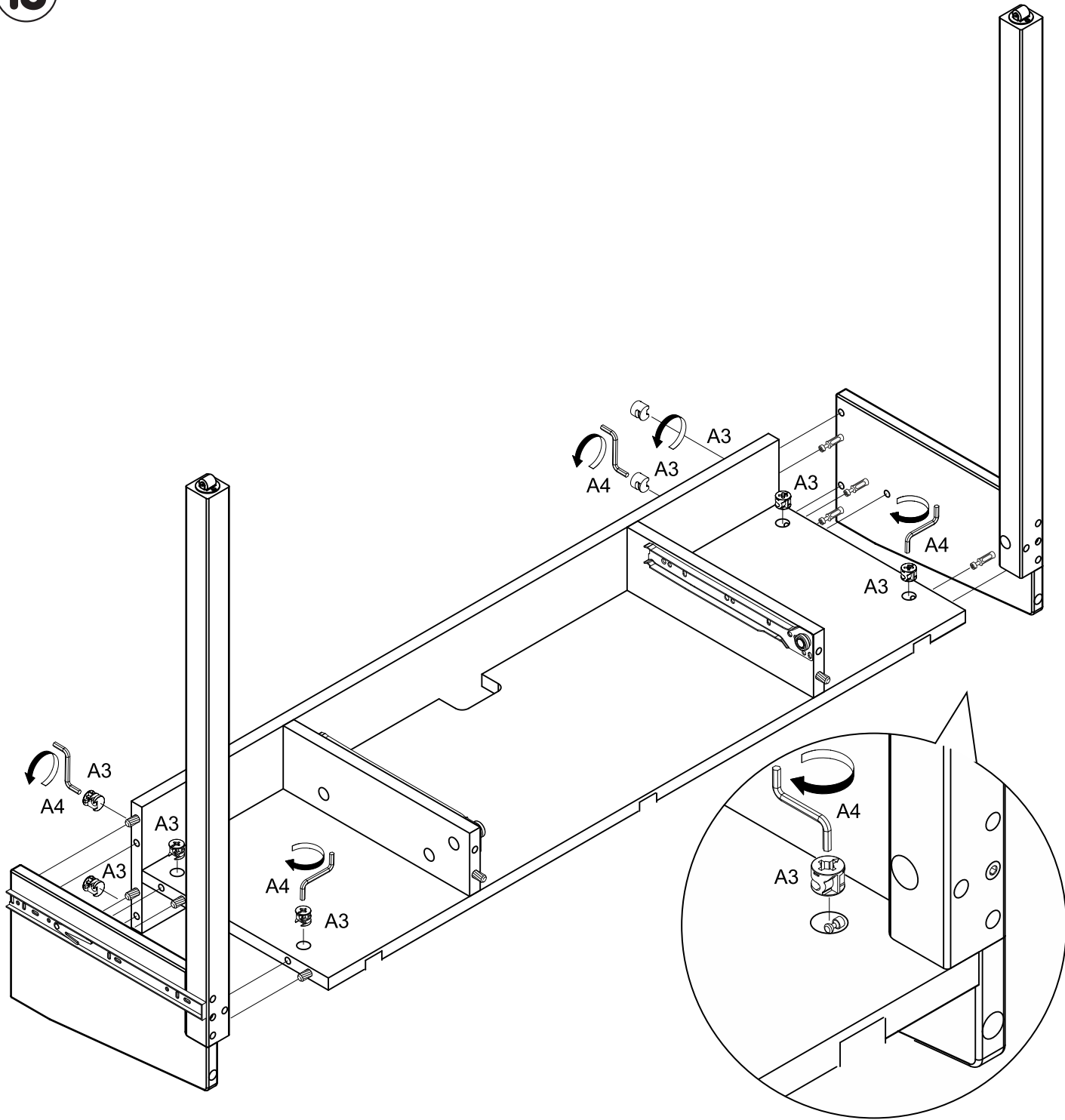


8

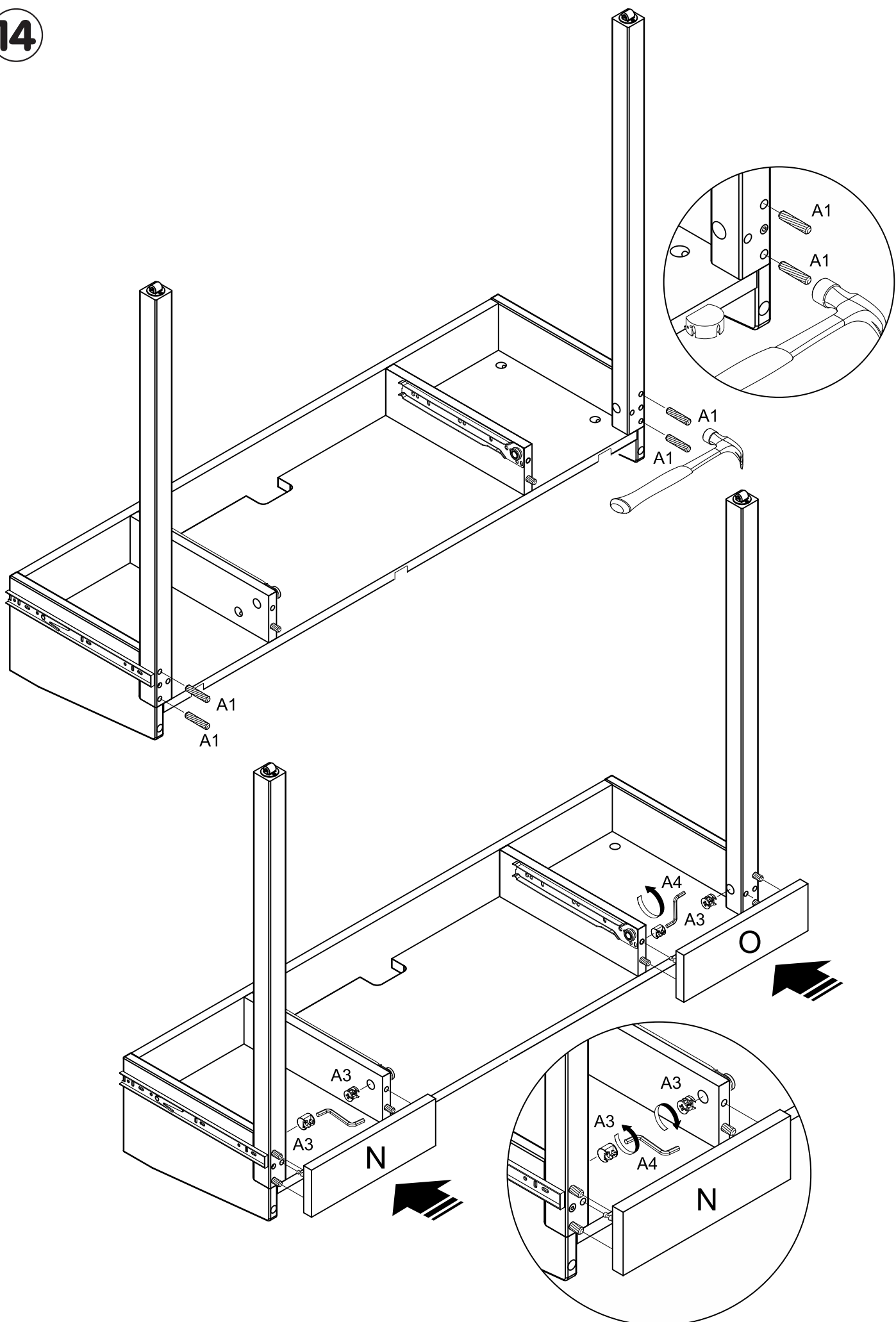


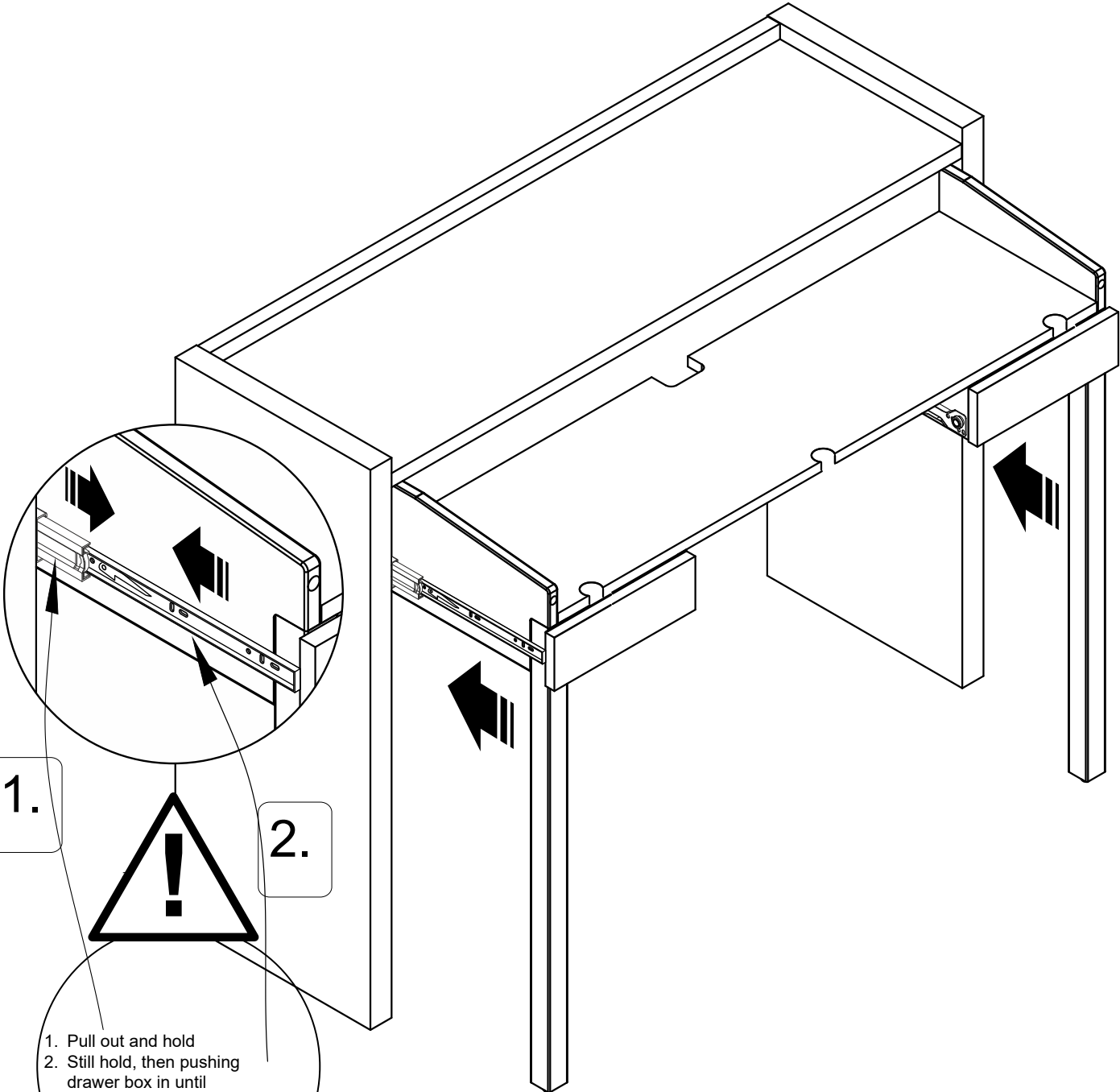






14





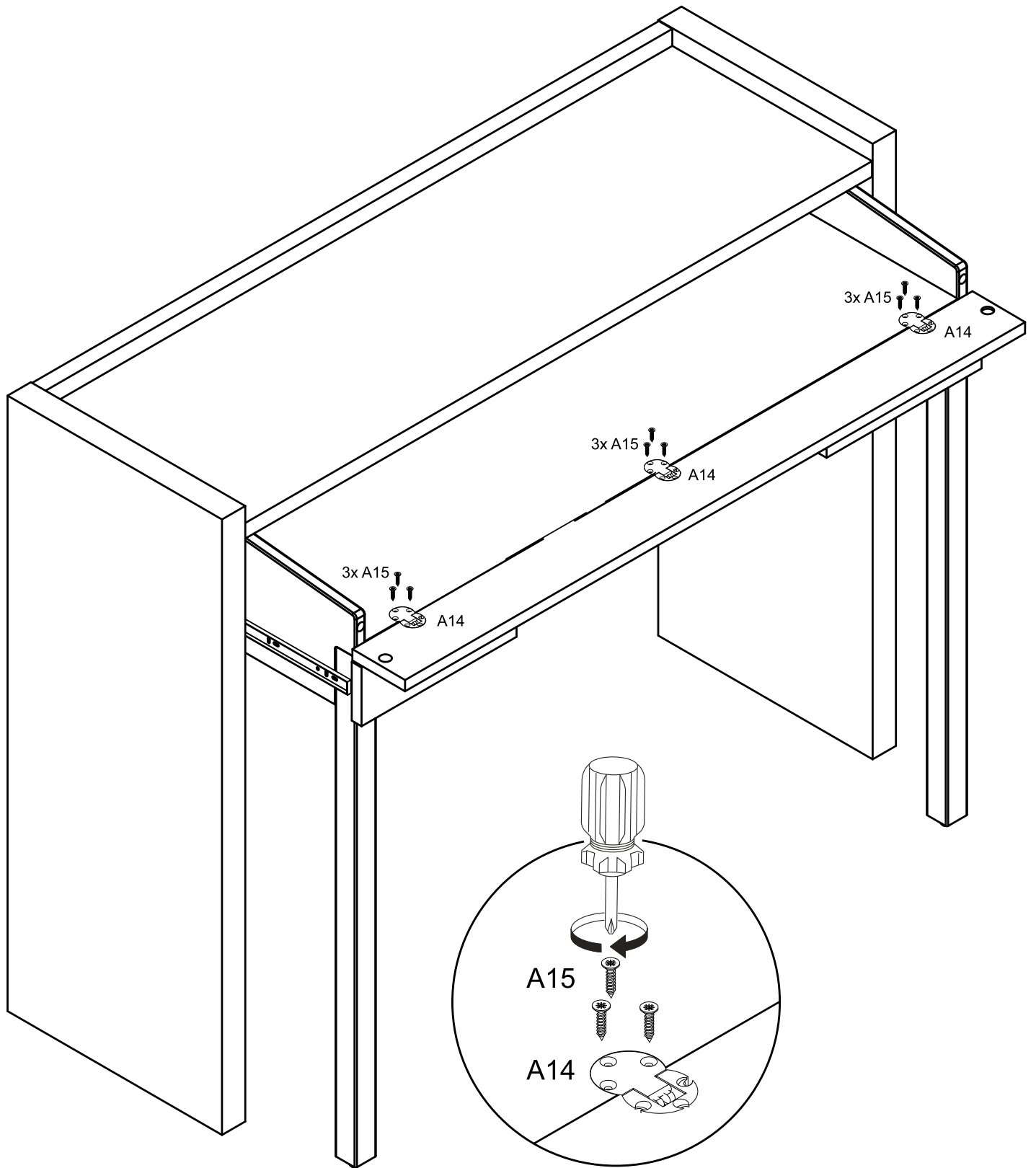
1.

2.

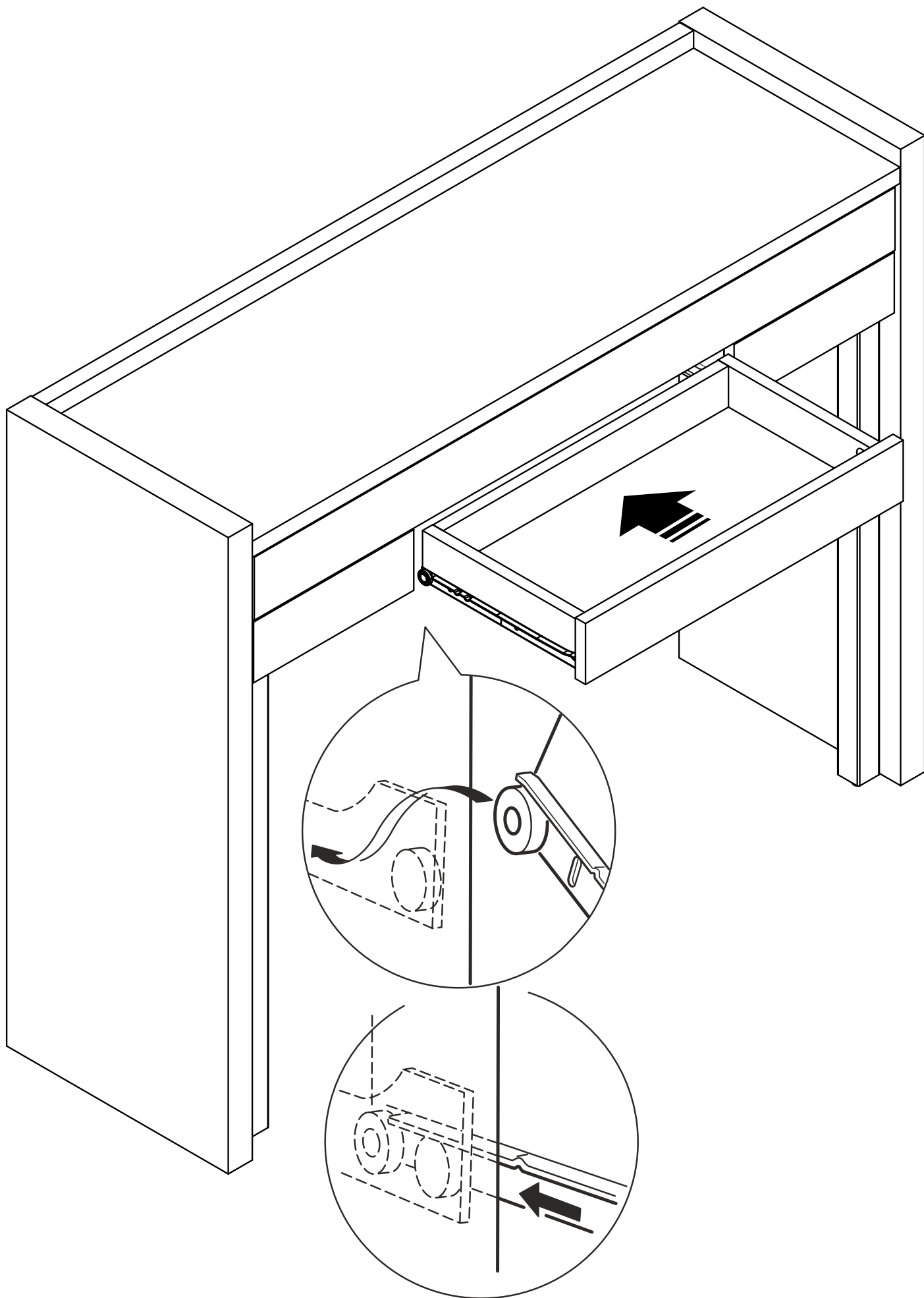


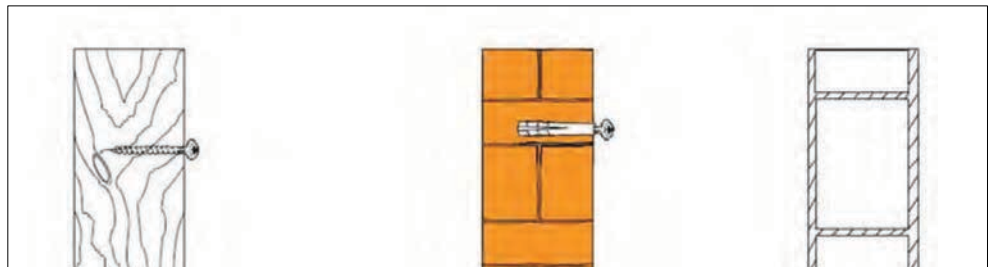
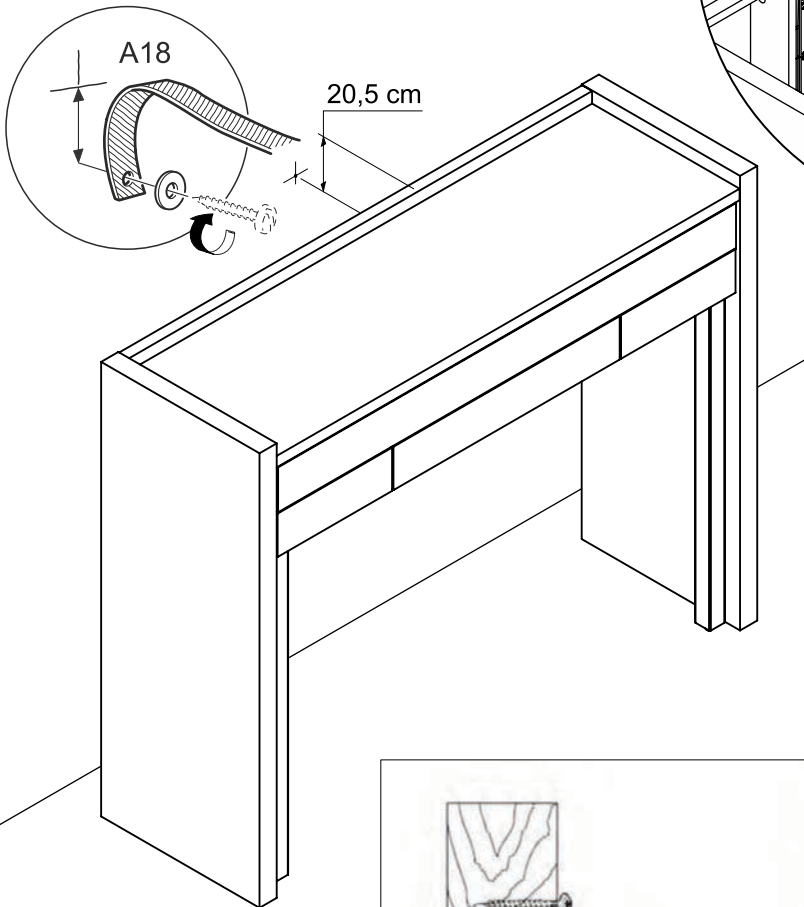
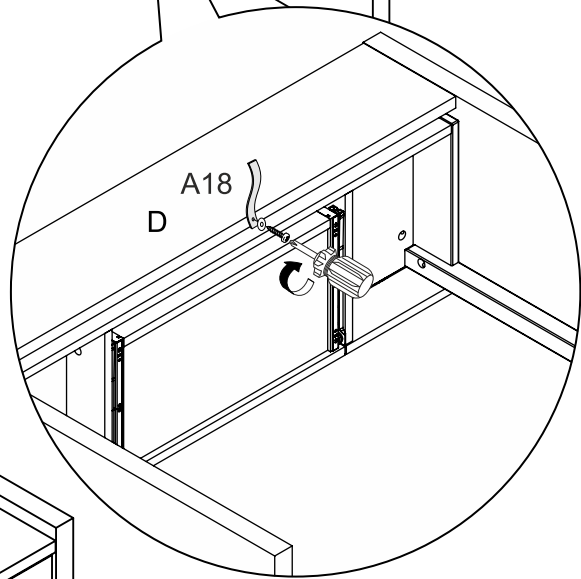
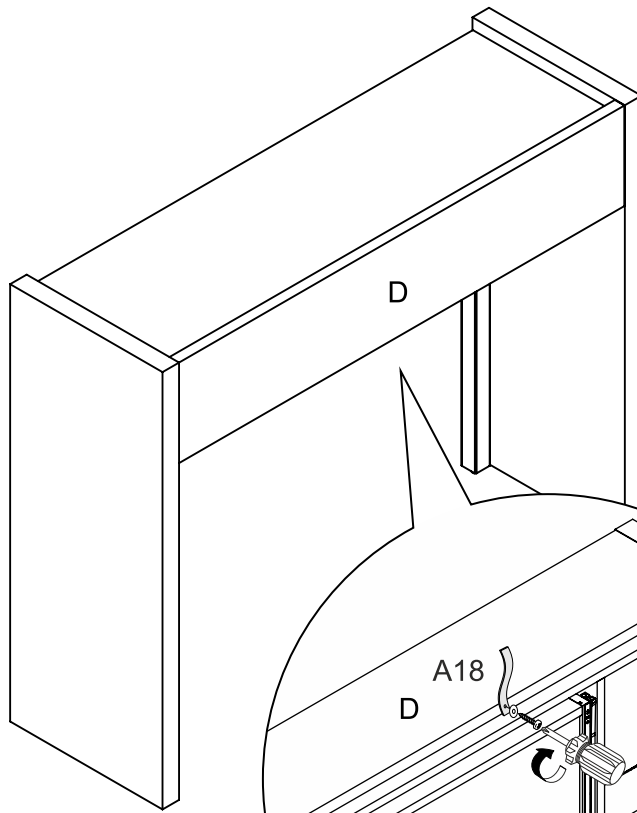
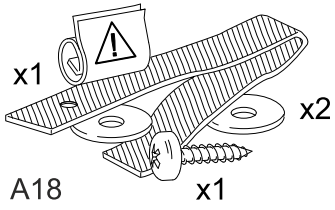
- 1. Pull out and hold
- 2. Still hold, then pushing drawer box in until "click"

16



17





Wood
If fixing to wood make sure that it isn't chipboard, as screws can easily pull away from the core structure

Brick or Masonry
Use an appropriate wall plug provided you are sure your wall is sound

Cavity wall
Special toggle wall plugs are needed. Seek expert advice