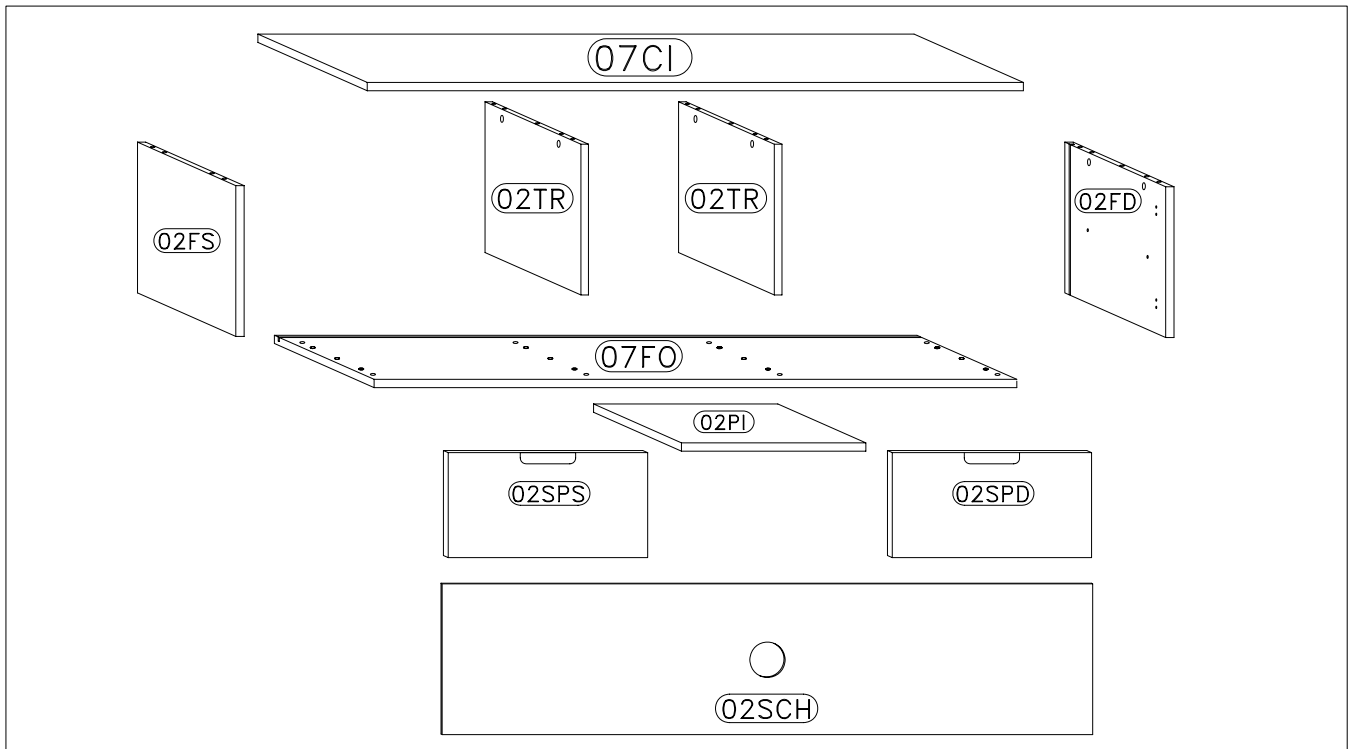


ONDERDELEN LYST-SERVICEKARTE-FORMULAIRE DEMANDES SAV-SPAREPARTS LIST-SCHEDA DI SERVIZIO

BESLAG-BESCHLAEGE - QUINCALLERIE - HARDWARE - FERRAMENTA



205446-02CF

A		x12	D		x12	P12		x18
B		x24	E		x4	Ø20 mm. T4		x4
C		x4	R		x4	6x25mm. T12		x4
C8		x8	P		x2	6 ma X 12 mm. T13		x2

P8

x2

205446-02TUB

P9

x4

529069-56TAP

205446-02PIE

x2

209025-07CC

L2

x8

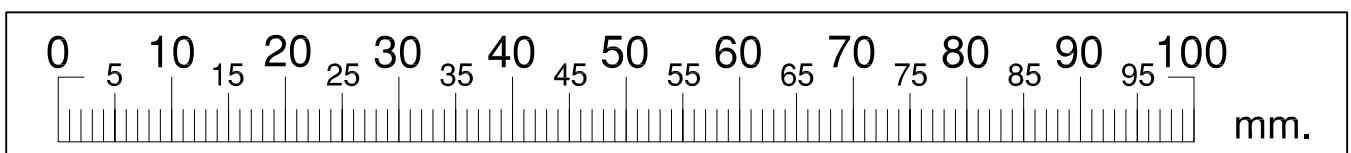
4x16 mm.

N1

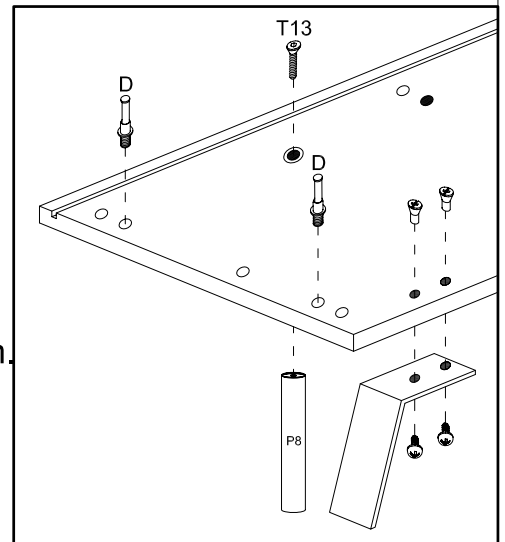
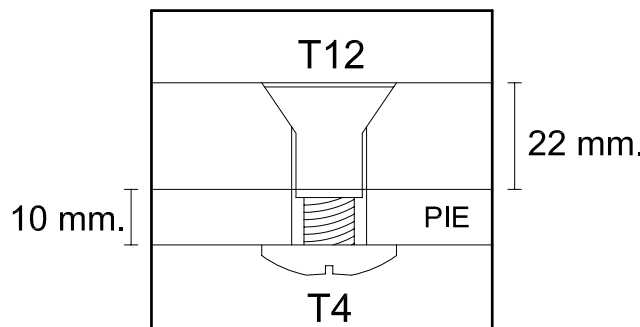
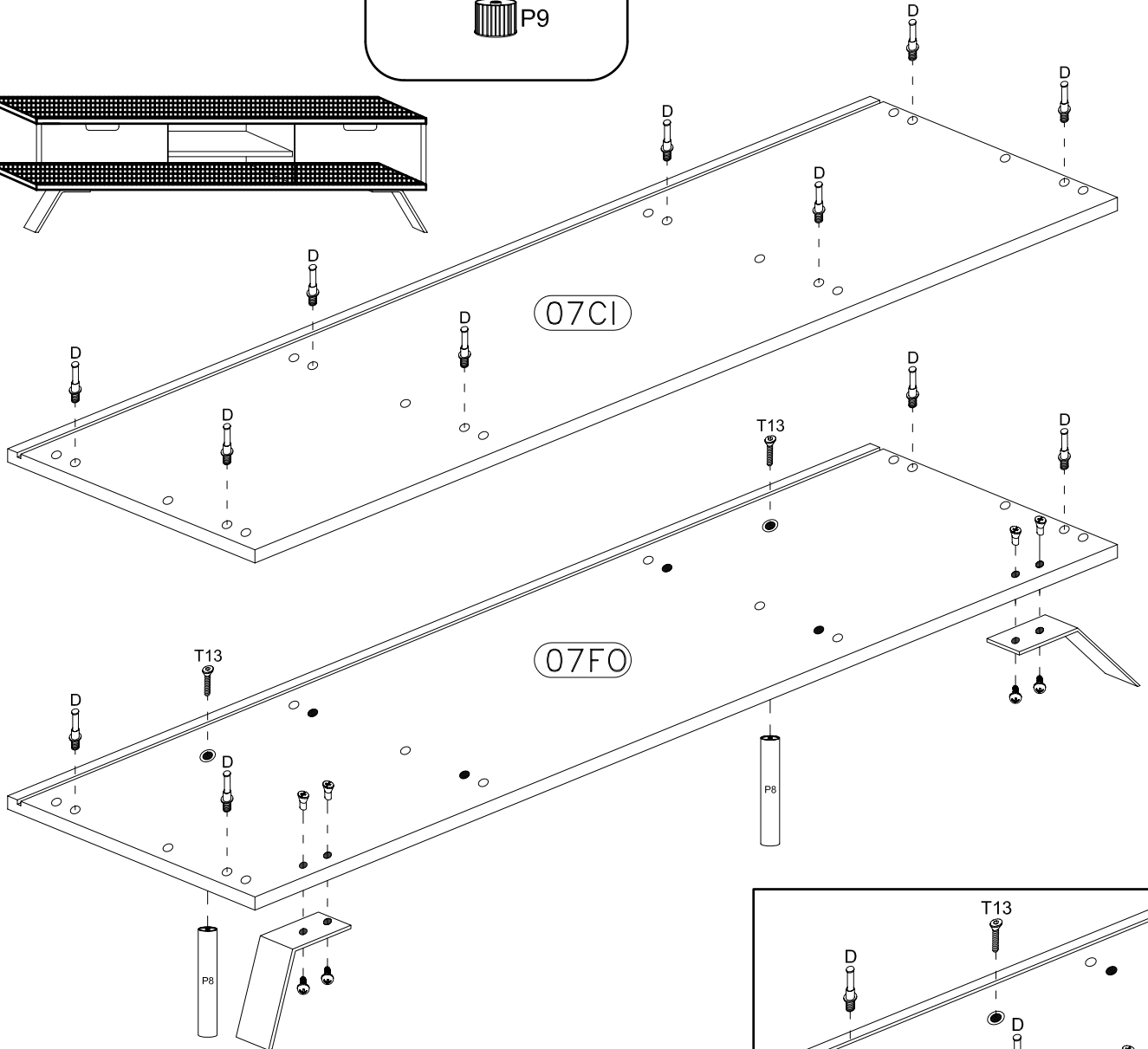
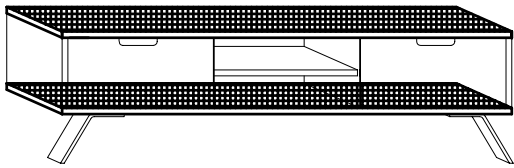
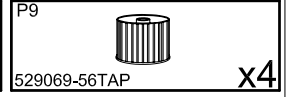
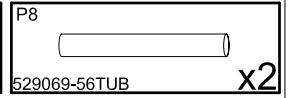
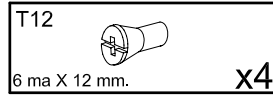
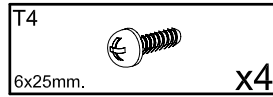
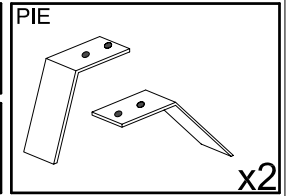
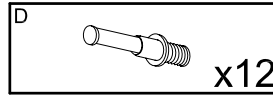
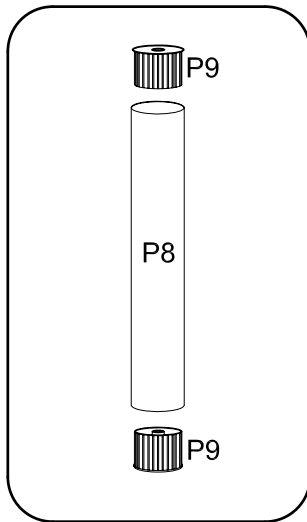
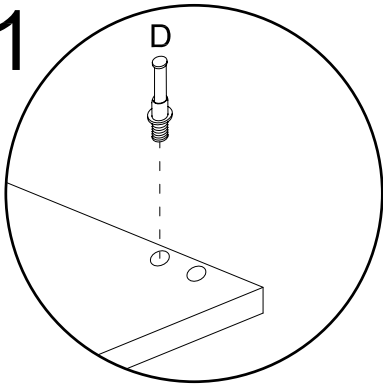
x4

O

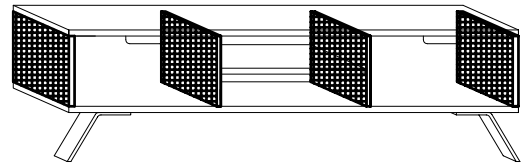
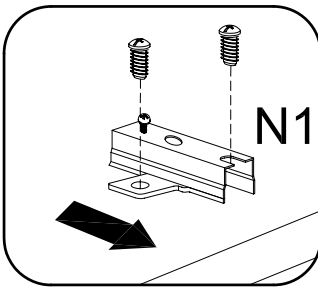
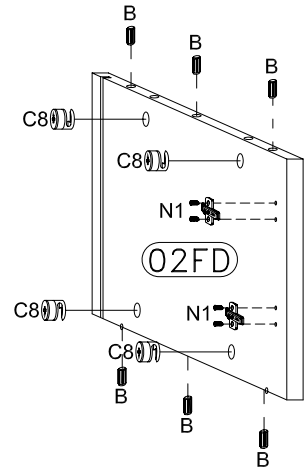
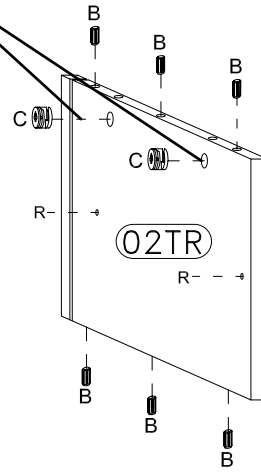
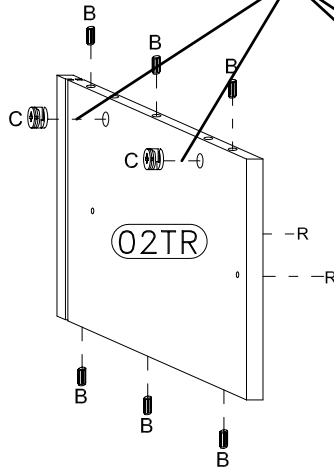
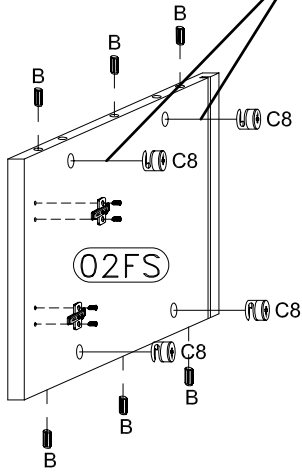
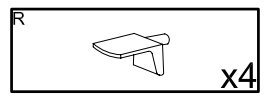
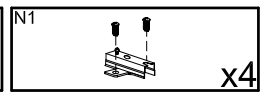
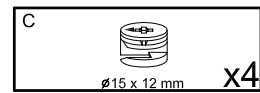
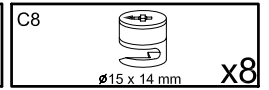
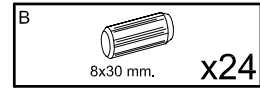
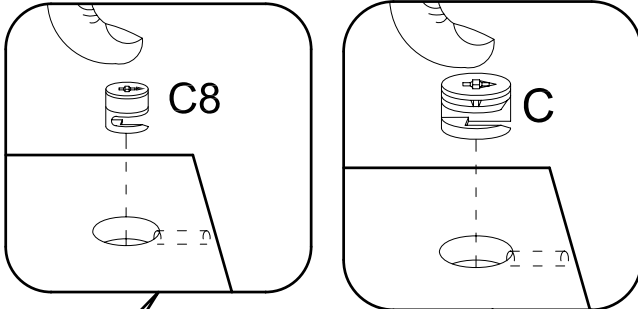
x4



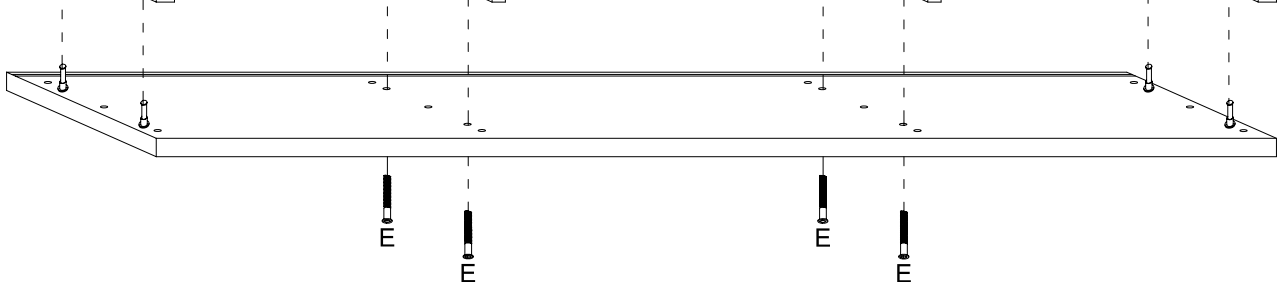
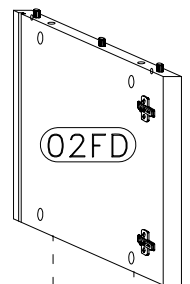
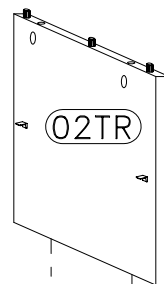
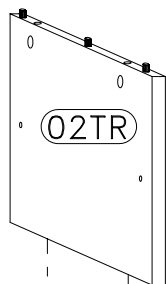
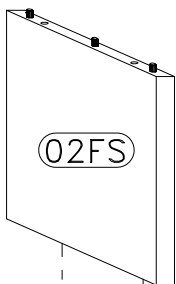
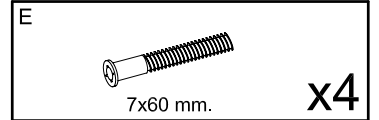
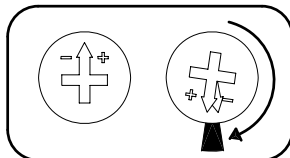
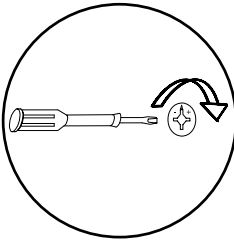
1



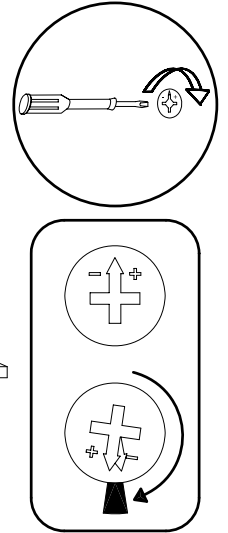
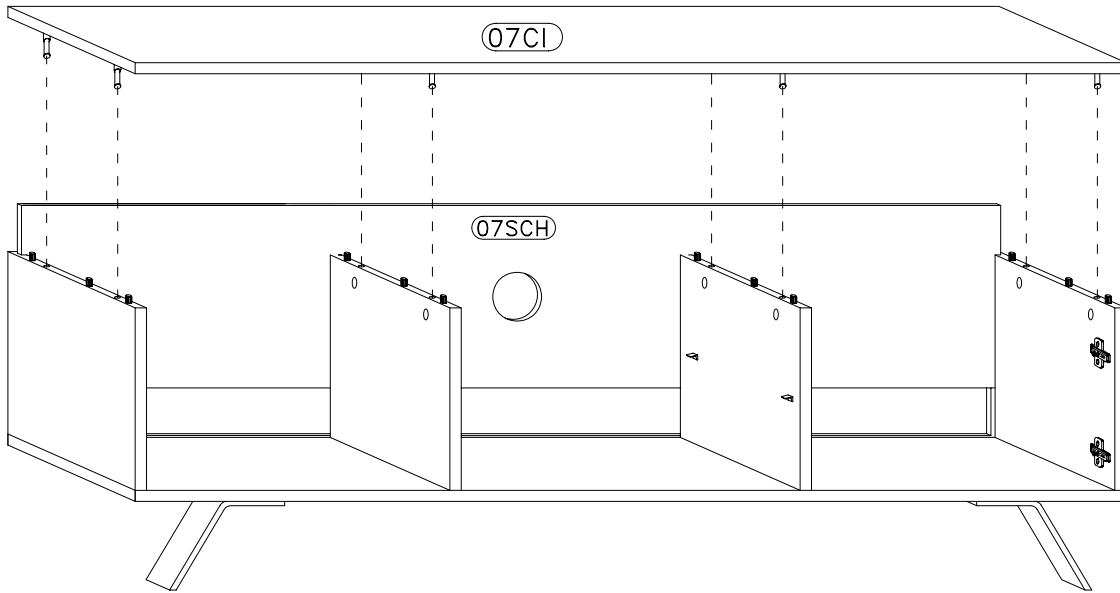
2



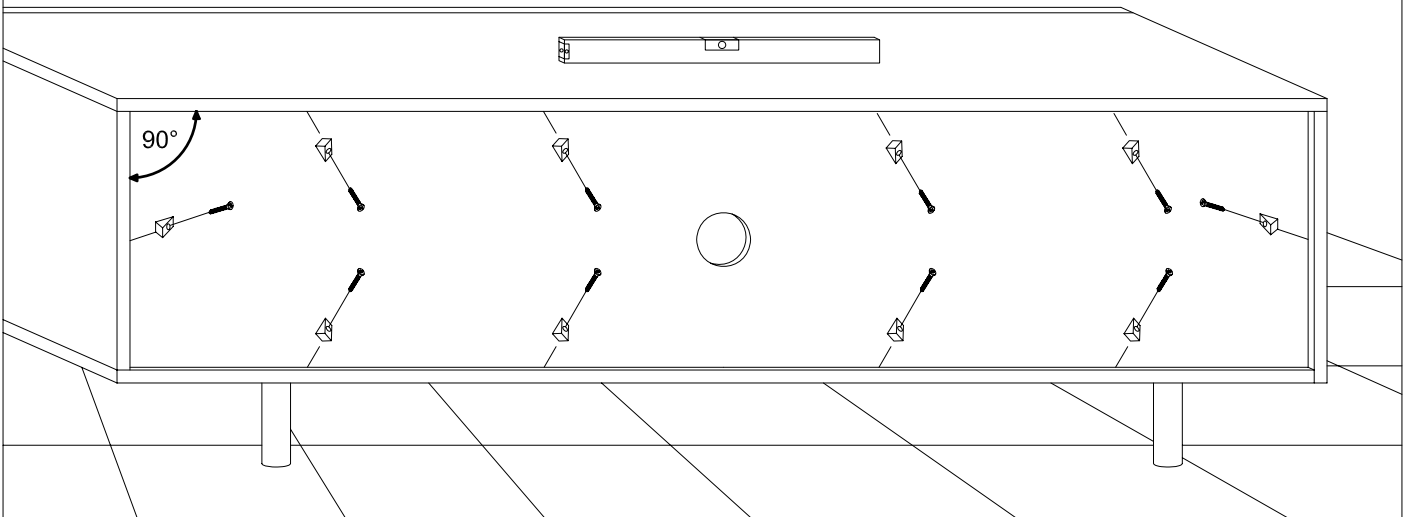
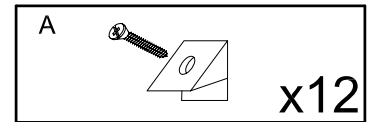
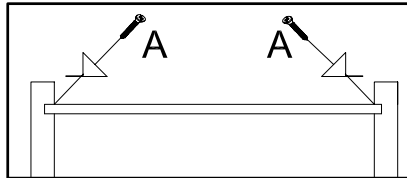
3




4





5

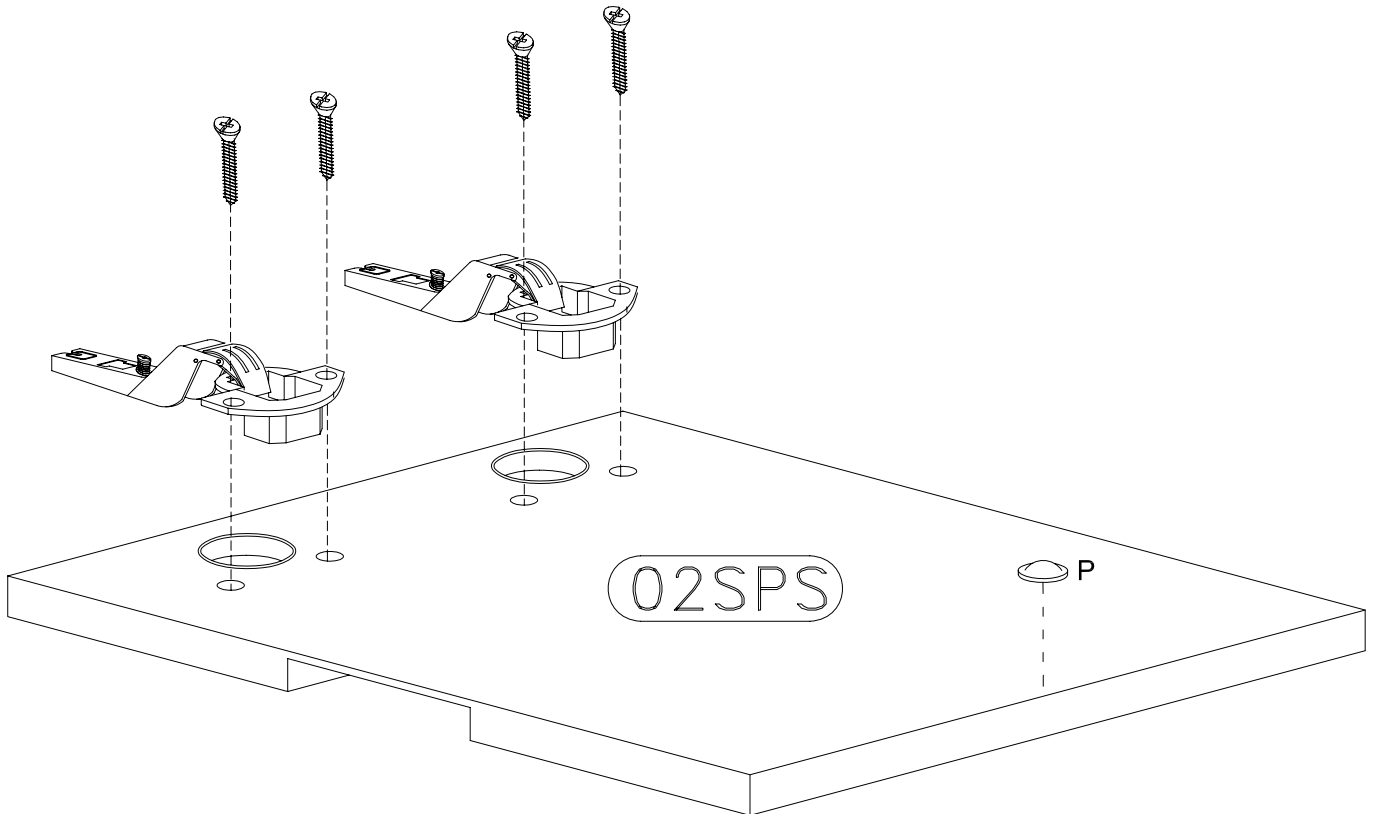
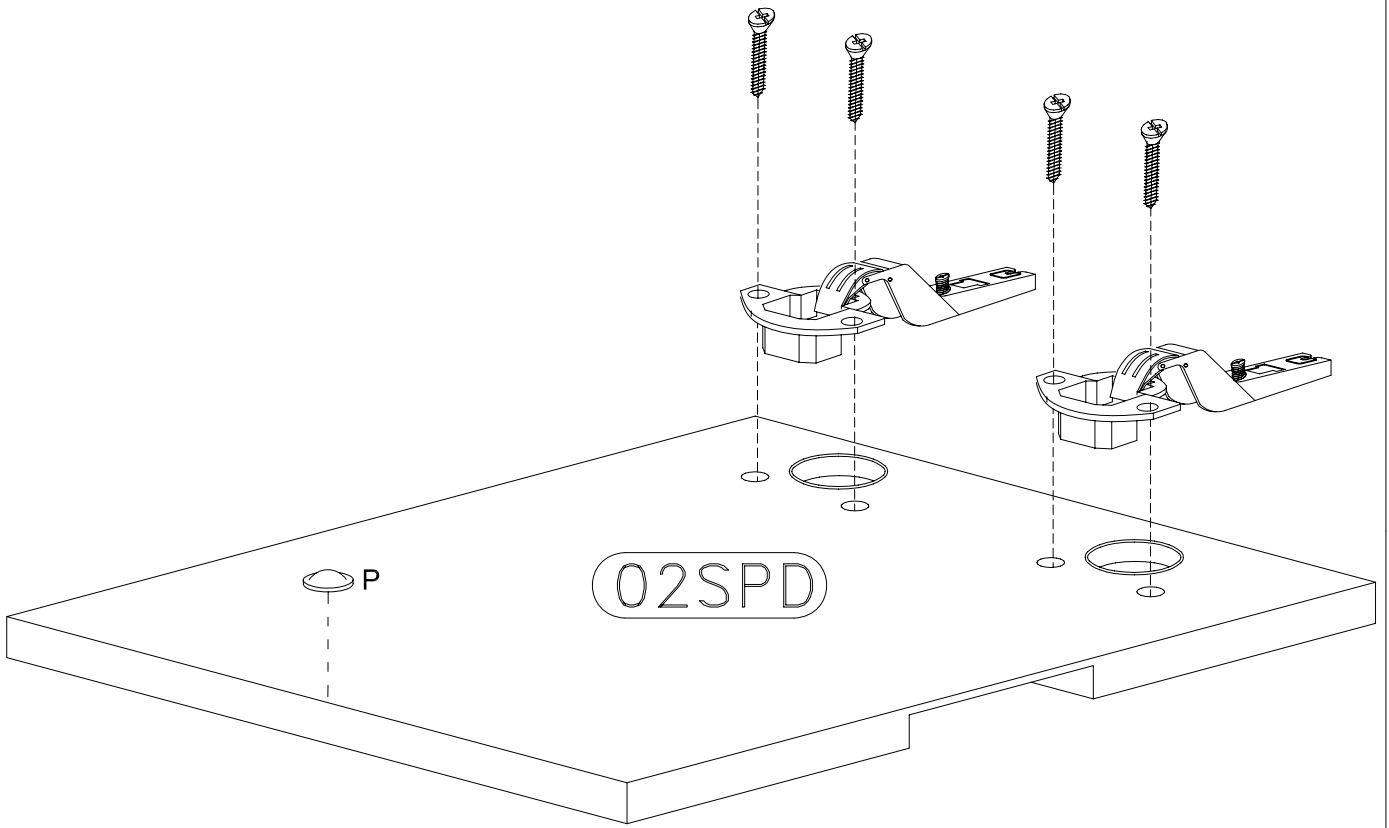


6

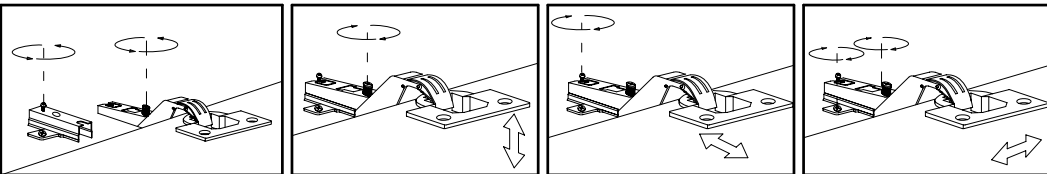
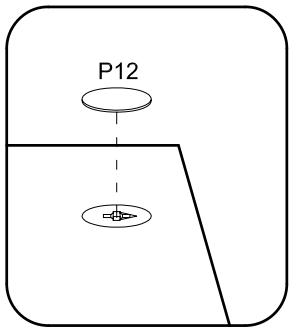
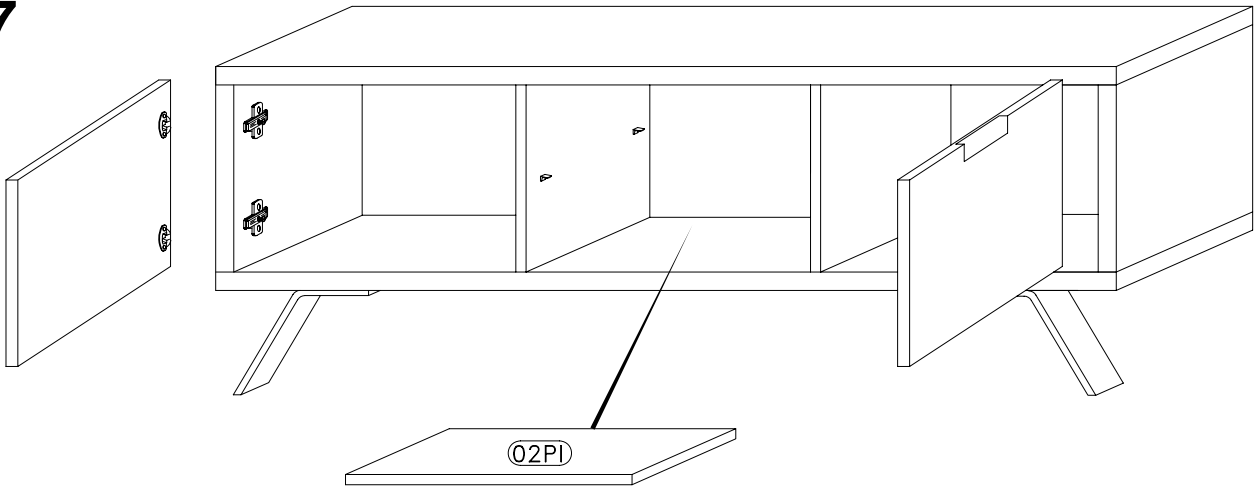
L2  4x16 mm. x8

P  x2

O  x4



7



P12
Ø 20 mm. x8

