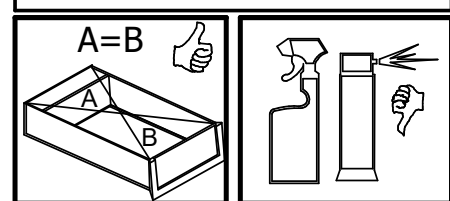
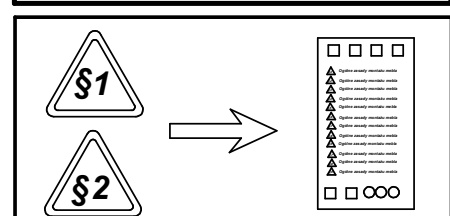
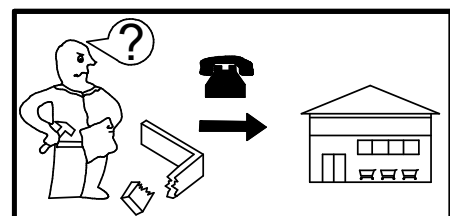
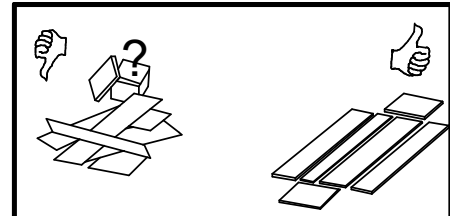
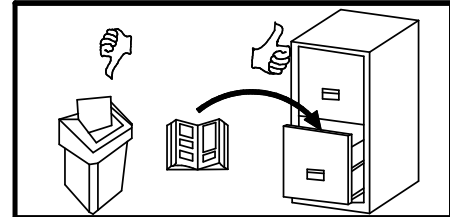
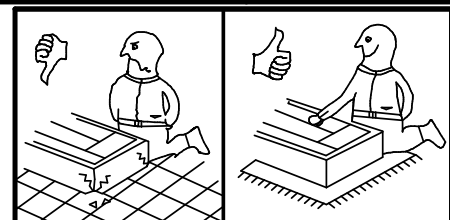
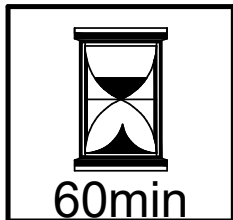
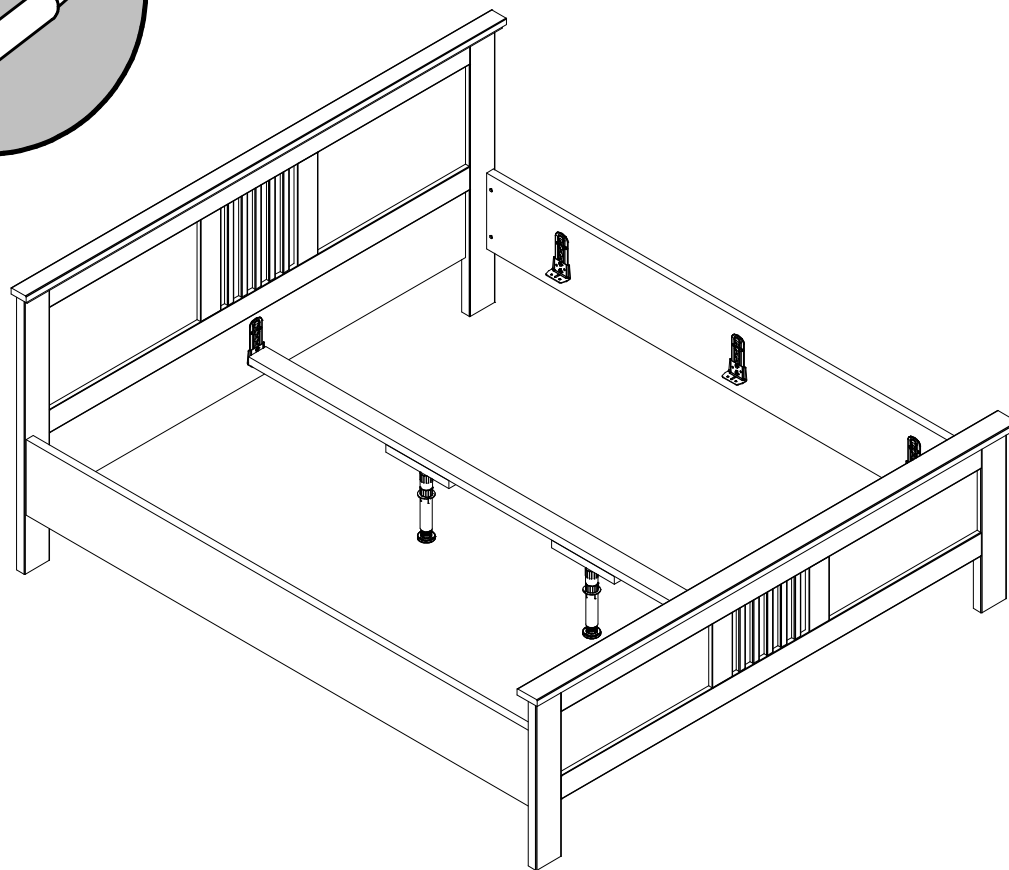
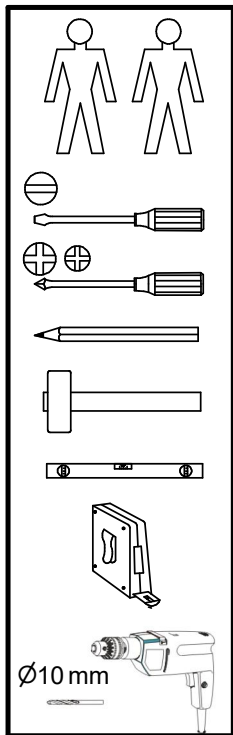
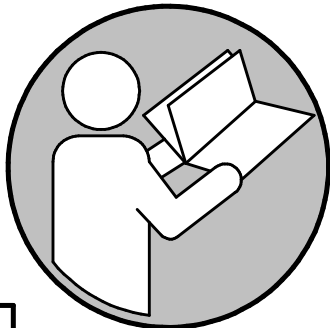


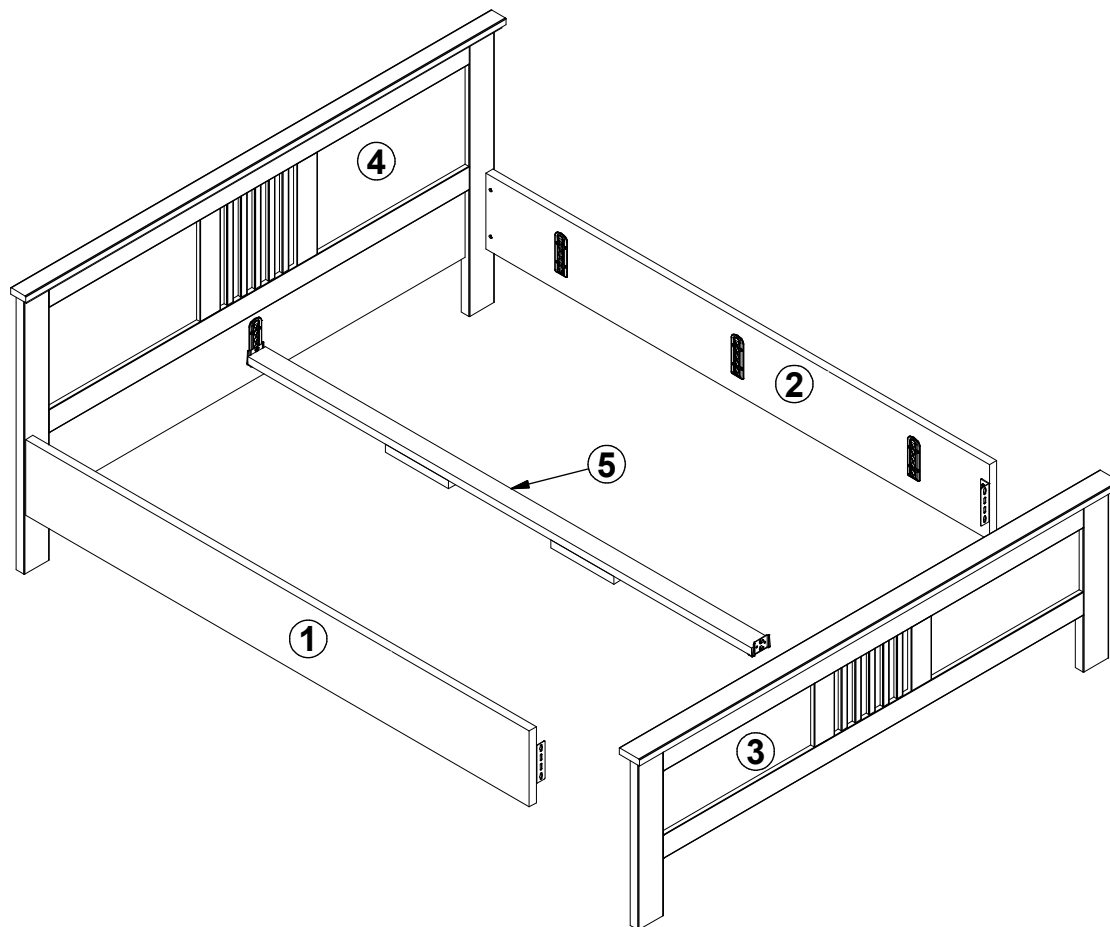
A

L109-LOZ/180

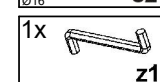
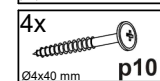
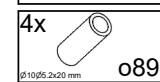
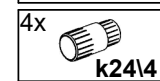
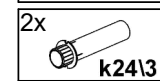
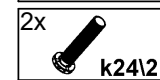
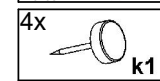
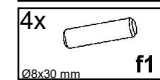
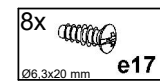
22-640

1 / 7

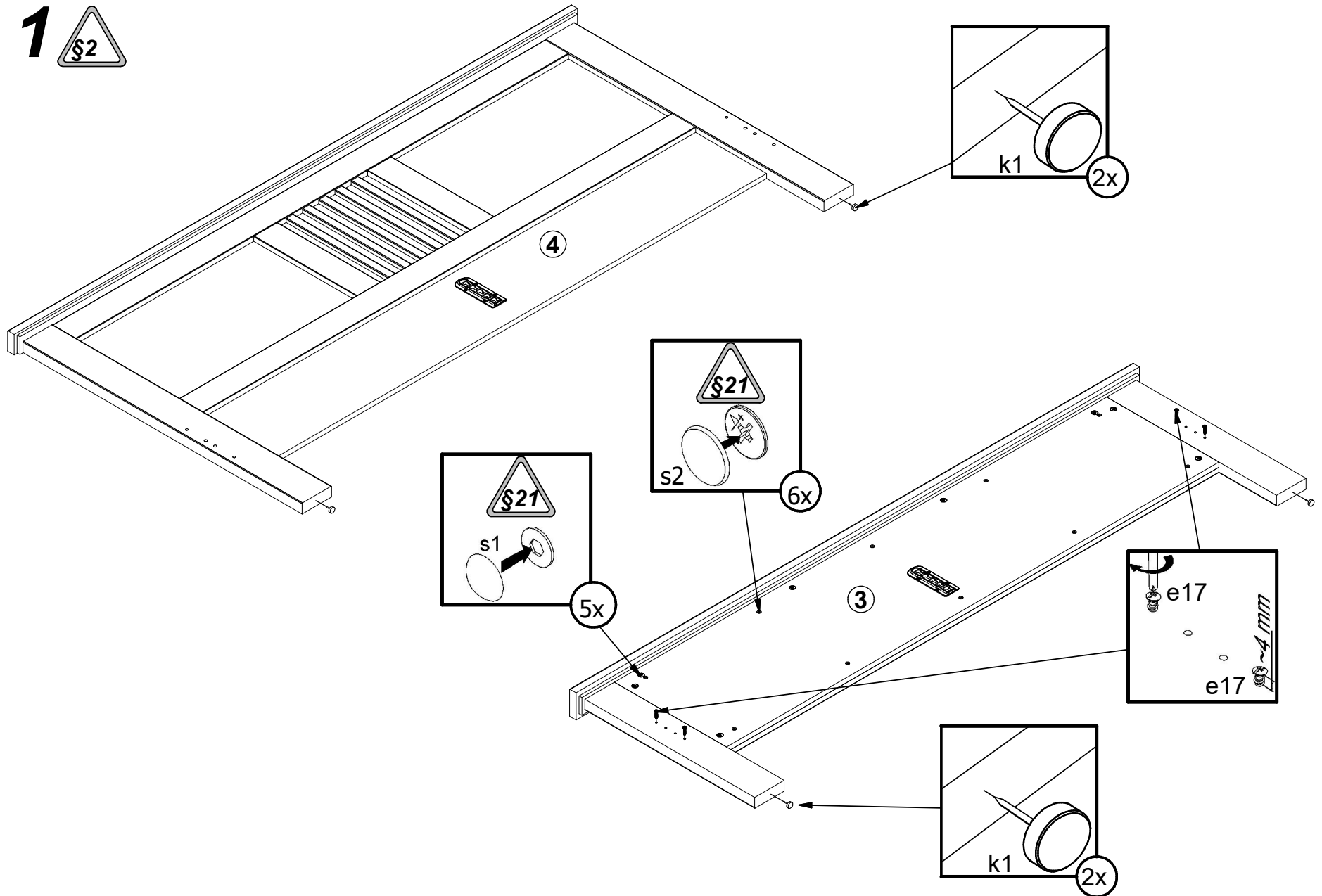




A	B	C1	C2	C3	D
1	L109-Z006	2000	260	62	1/3
2	L109-Z007	2000	260	62	1/3
3	L109-Z008	619	1908	80	3/3
4	L109-Z009	977	1908	60	2/3
5	ZZ1-Z010	2011	70	45	1/3



1 §2

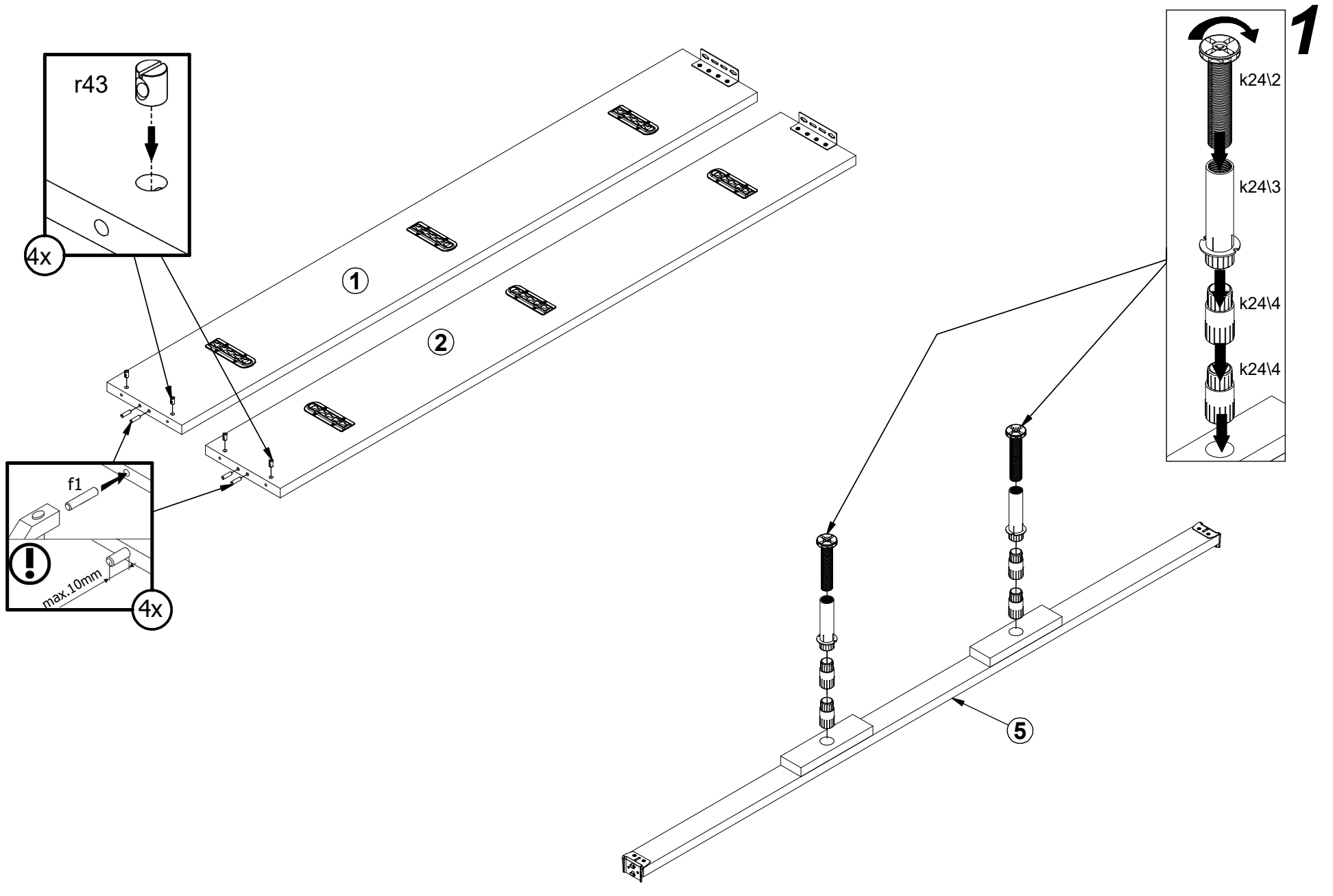


A

L109-LOZ/180

22-640

4 / 7

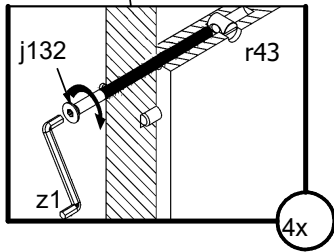
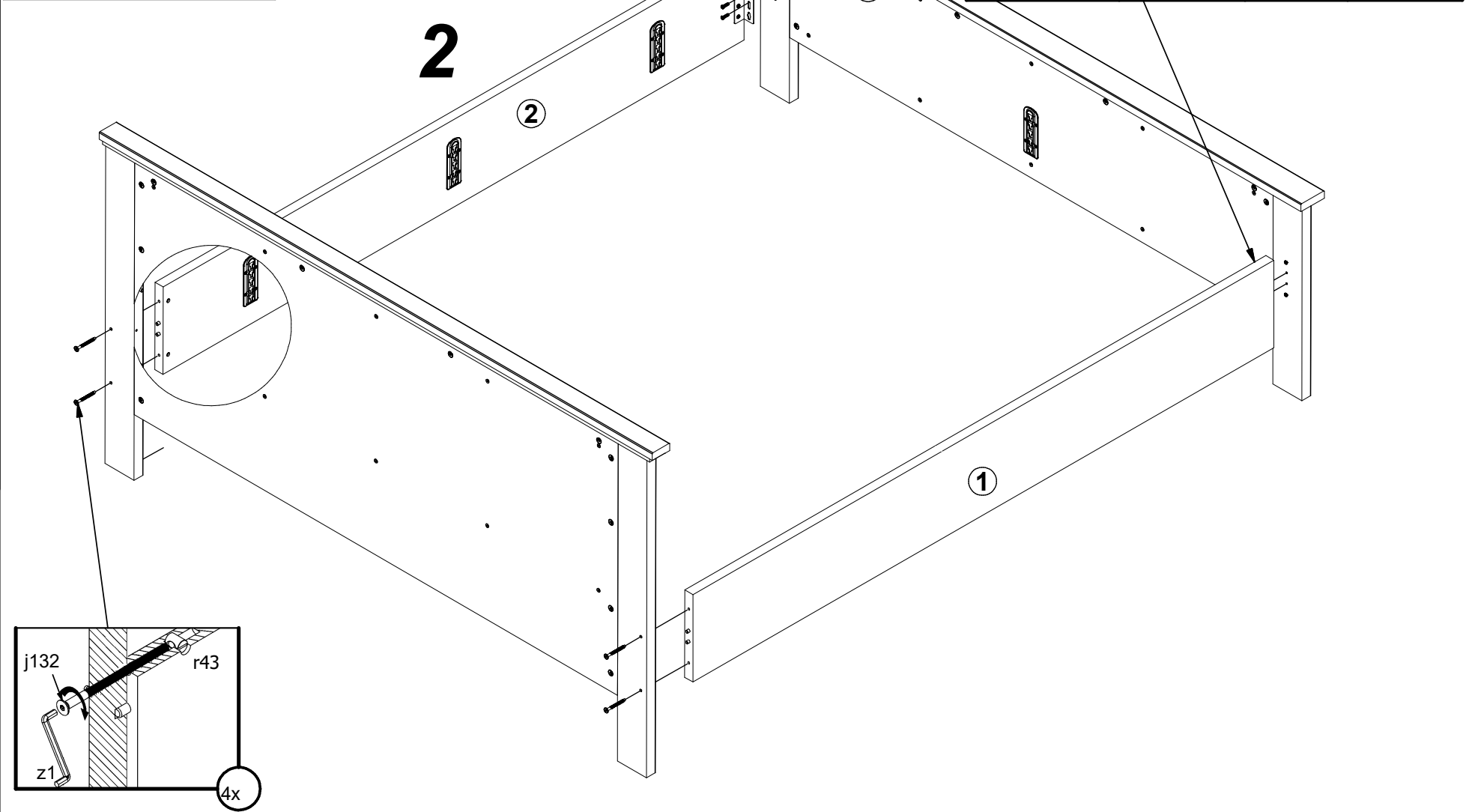
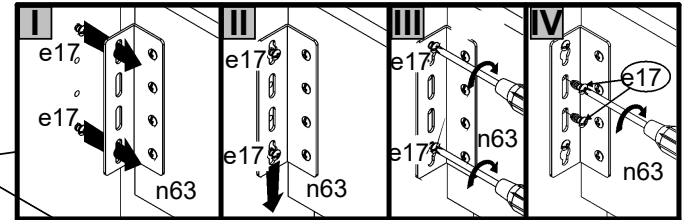
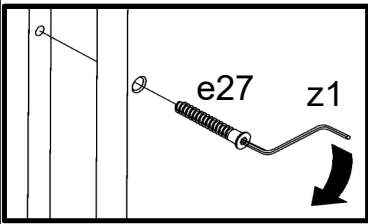


A

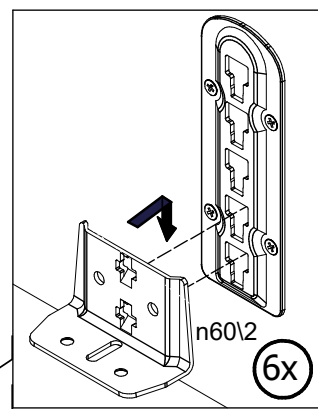
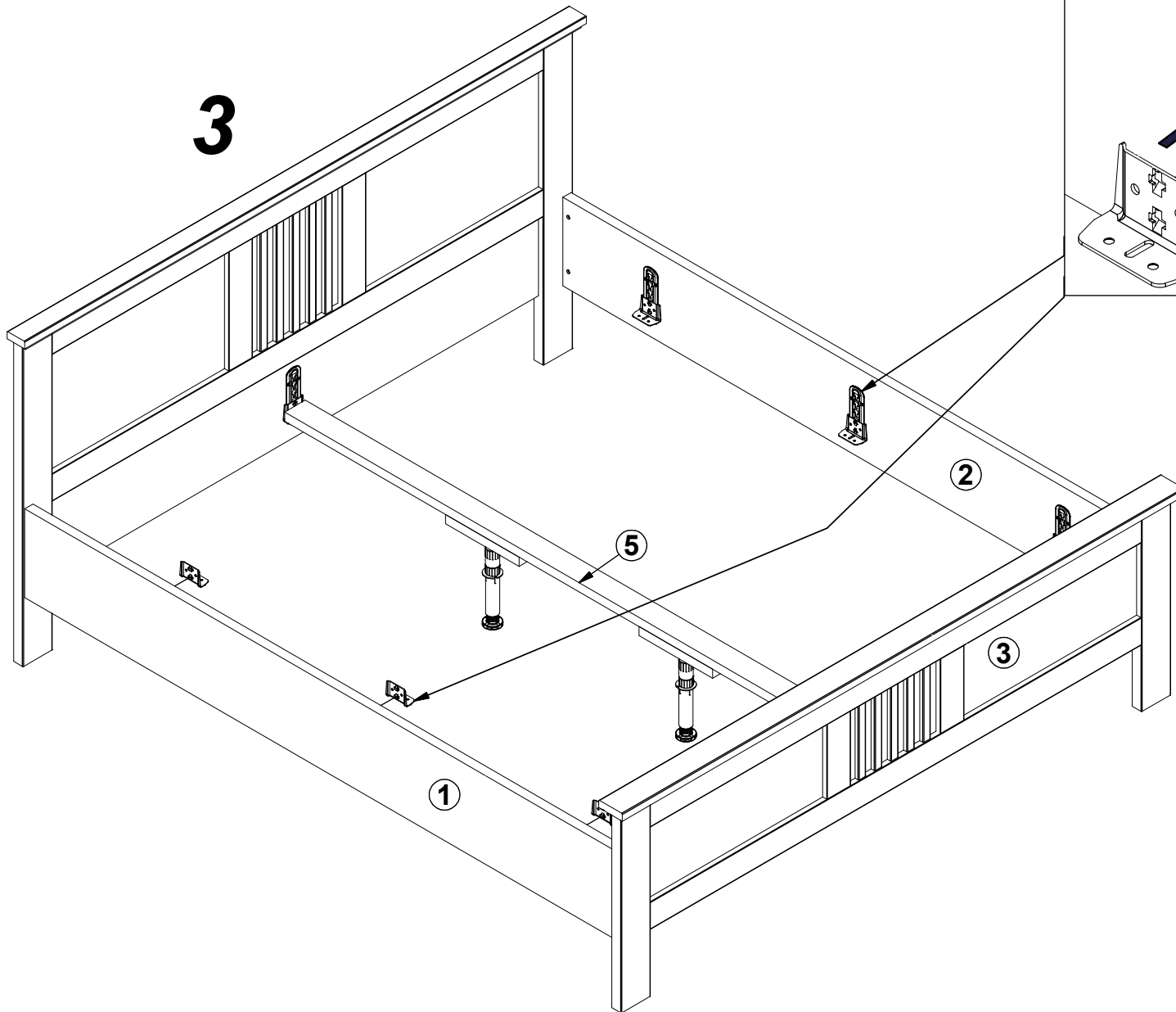
L109-LOZ/180

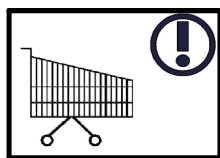
22-640

5 / 7



4x





4

