

Art. Nr. 79189353; 89861425; 22438369;  
43913236; 73534226; 99106768

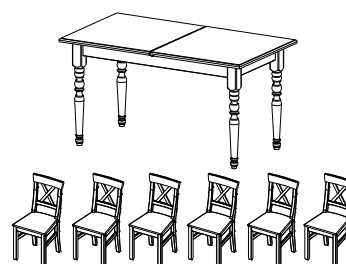
LKZ 40947



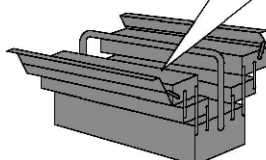
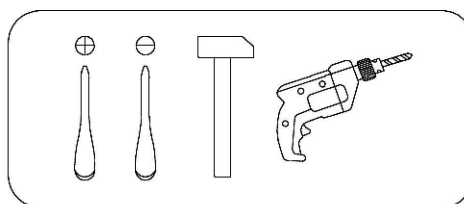
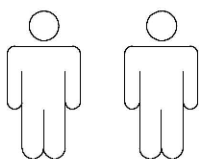
Art. 18000619; 91353851  
57509160; 78045908

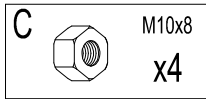
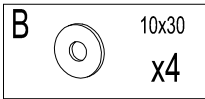
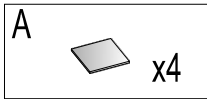


Art. 60259528; 56139405



- |                                       |                                   |
|---------------------------------------|-----------------------------------|
| <b>D</b> Montageanleitung             | <b>GB</b> Assembly instructions   |
| <b>FR</b> Notice de montage           | <b>IT</b> Istruzioni di montaggio |
| <b>NL</b> Handleiding voor de montage | <b>PL</b> Instrukcja montażu      |
| <b>CZ</b> Montážní návod              | <b>SK</b> Návod na montáž         |
| <b>HU</b> Szerelési útmutató          | <b>RO</b> Instrucțiuni de montaj  |
| <b>TR</b> Montaj talimatı             | <b>RU</b> Инструкция по монтажу   |





Art. Nr. 79189353;89861425

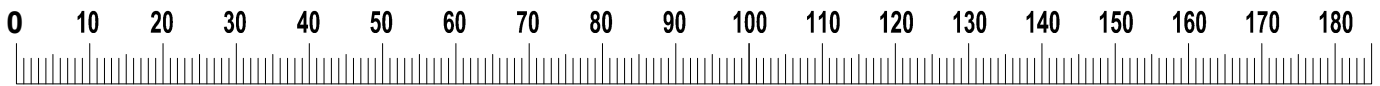
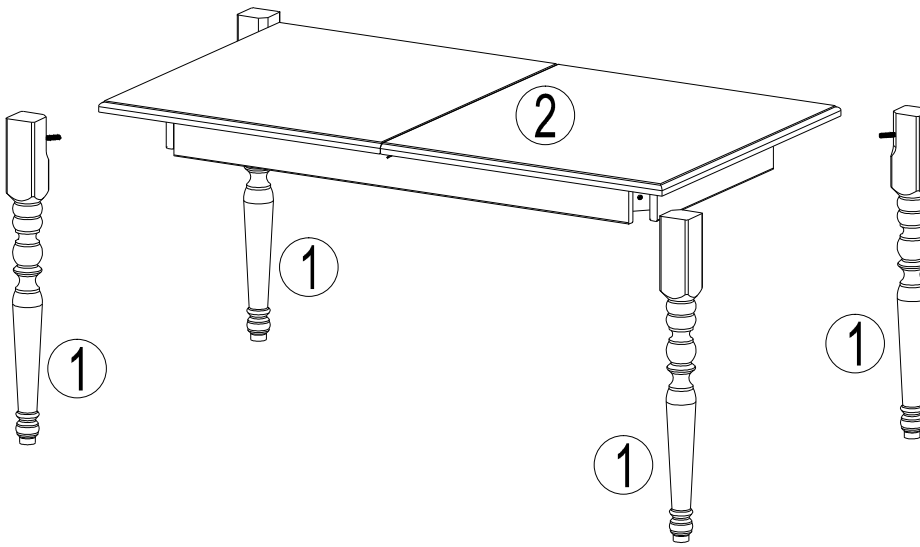
No	Size/MaB (mm)	Qty	✓
1	726x70x70	4	
2	1400x770x125	1	

Art. Nr. 22438369; 43913236

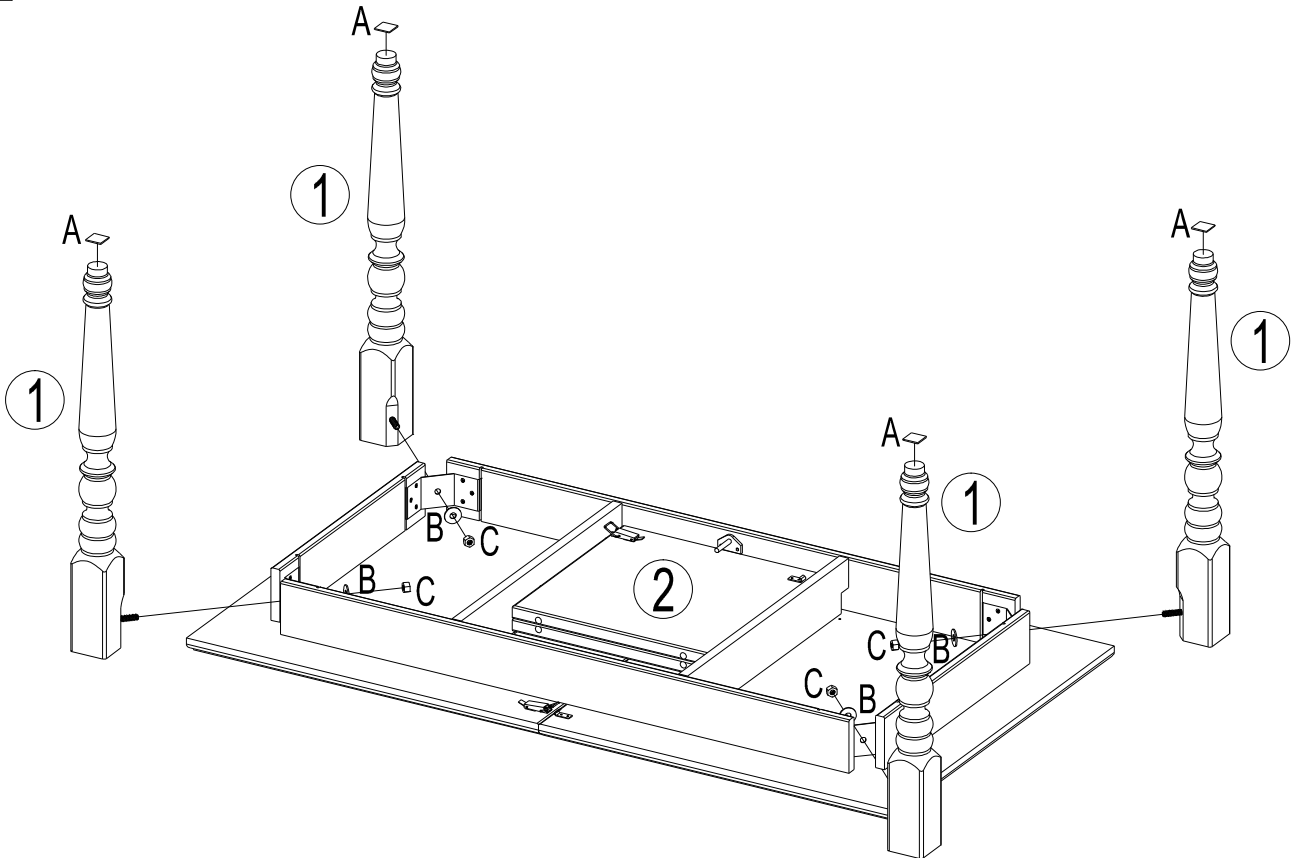
No	Size/MaB (mm)	Qty	✓
1	726x70x70	4	
2	1600x800x125	1	

Art. Nr. 73534226;99106768

No	Size/MaB (mm)	Qty	✓
1	726x70x70	4	
2	2000x1000x125	1	

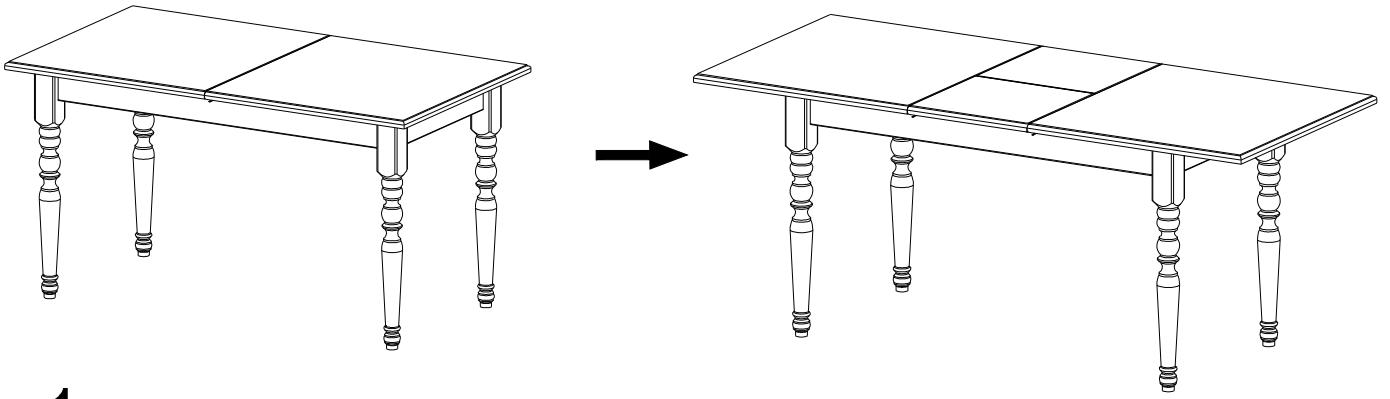


1

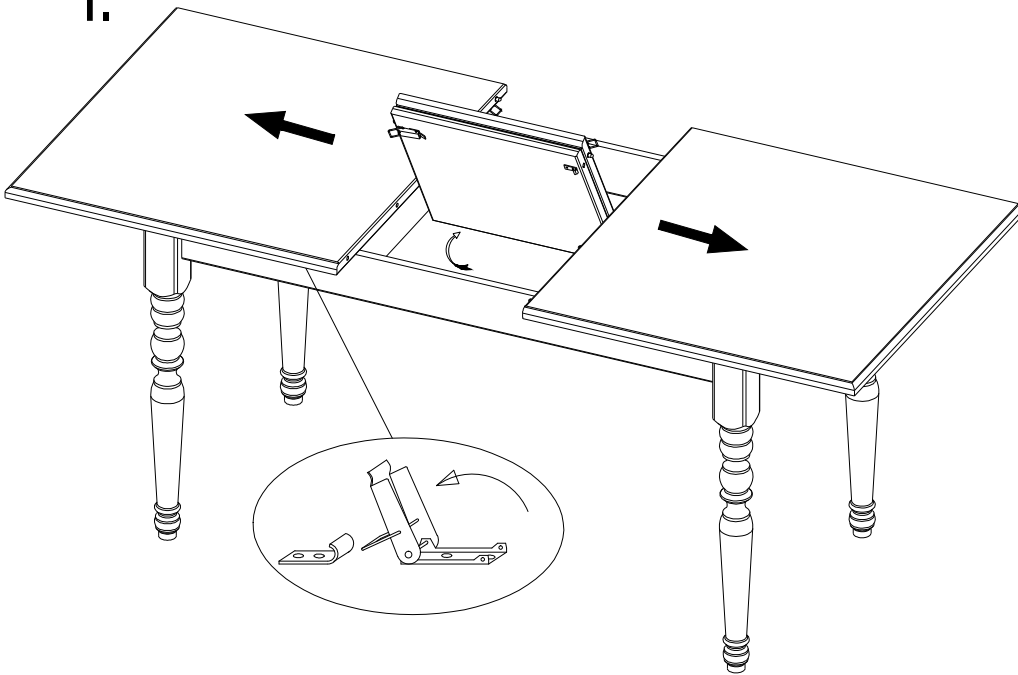


2

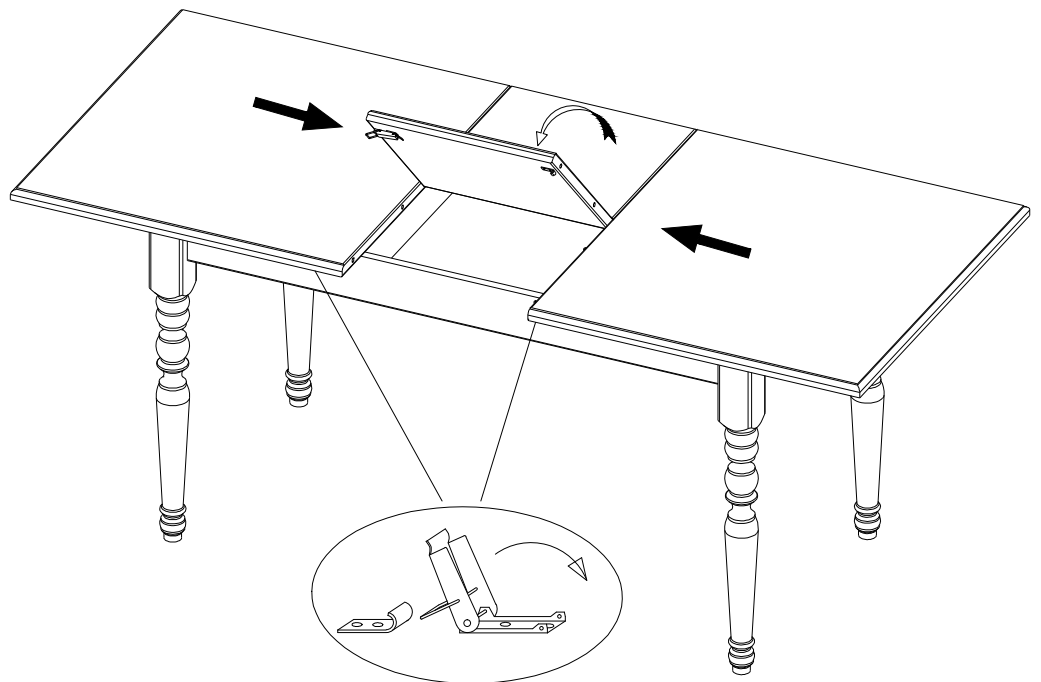
2



1.



2.



3