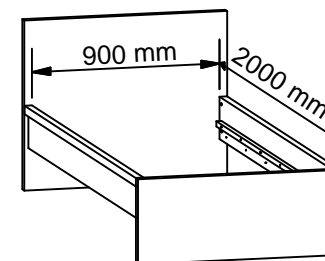
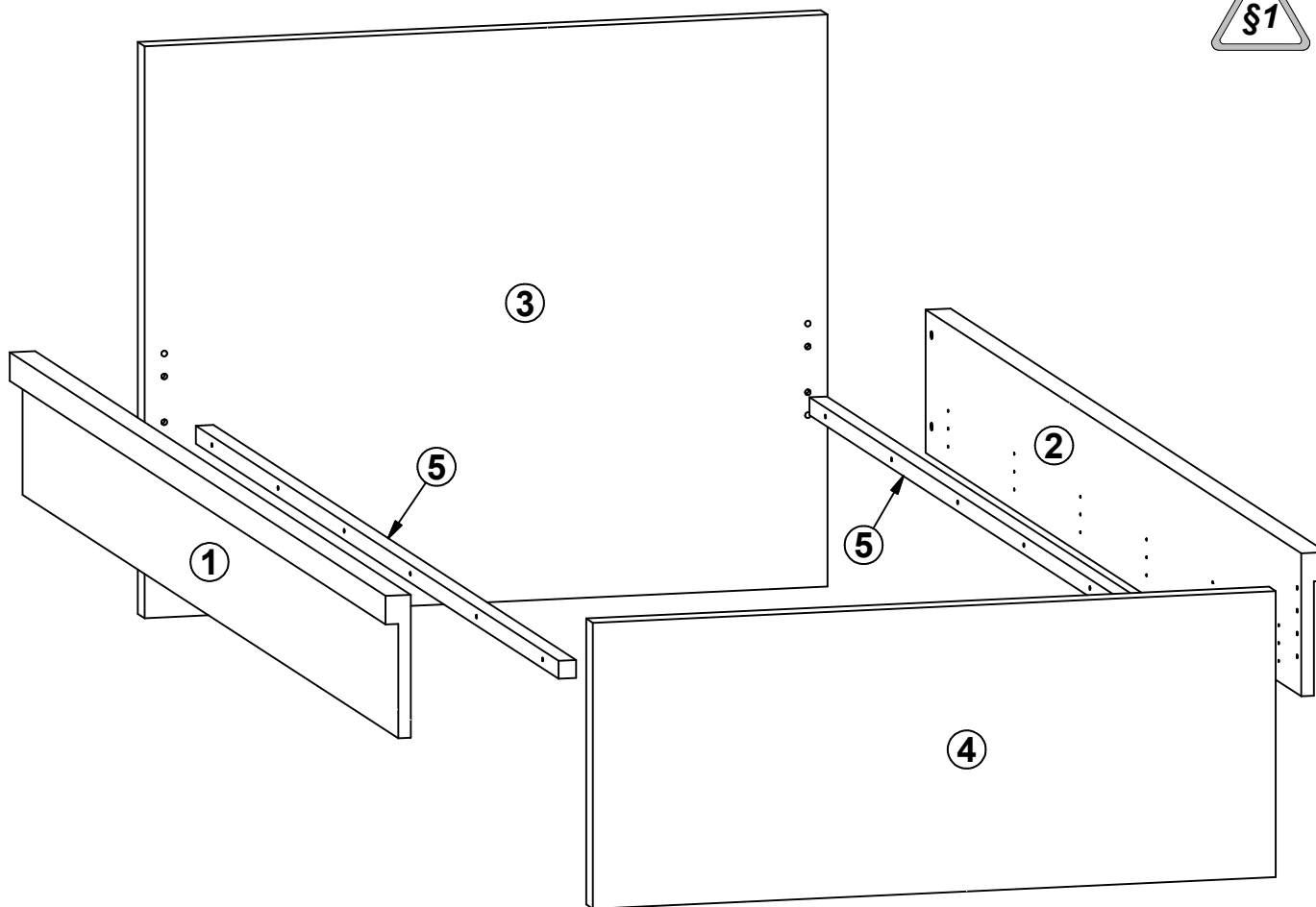
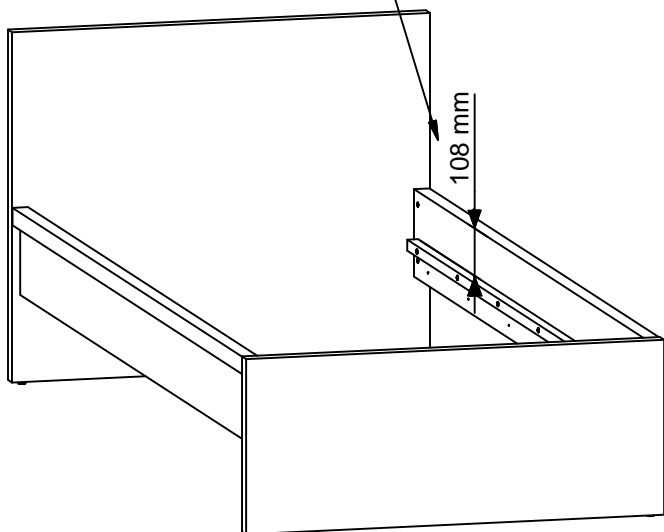
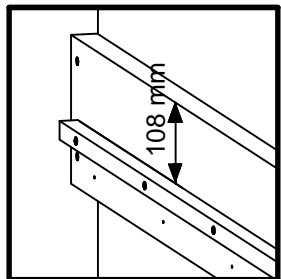


| A | B | C (mm) | | D |
|---|---------|--------|-----|-----|
| 1 | L26-101 | 2000 | 200 | 1/2 |
| 2 | L26-102 | 2000 | 200 | 1/2 |
| 3 | L26-405 | 974 | 800 | 2/2 |
| 4 | L26-406 | 974 | 400 | 2/2 |
| 5 | ZZ1-749 | 1930 | 25 | 1/2 |

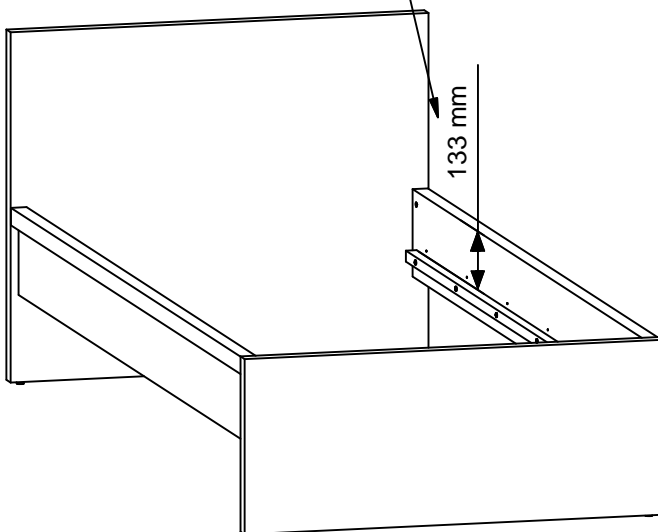
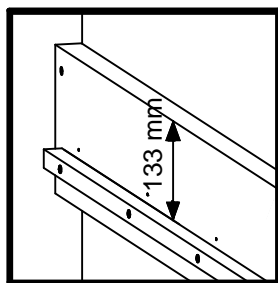


- 16x e2
Ø6.3x13 mm
- 4x f1
Ø8x30 mm
- 4x j117
M6x84 mm
- 4x k1
- 2x n63
130x34x34/2 mm
- 6x p6
Ø4x35 mm
- 12x p10
Ø4x40 mm
- 4x r5l1
Ø10x13 mm
- 1x z1

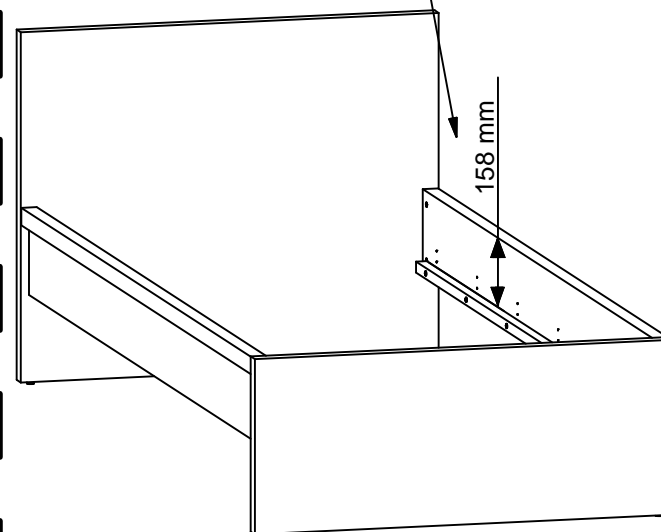
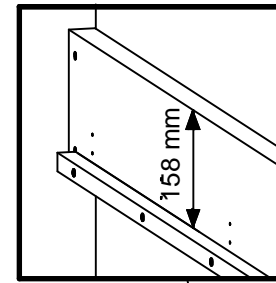
1A



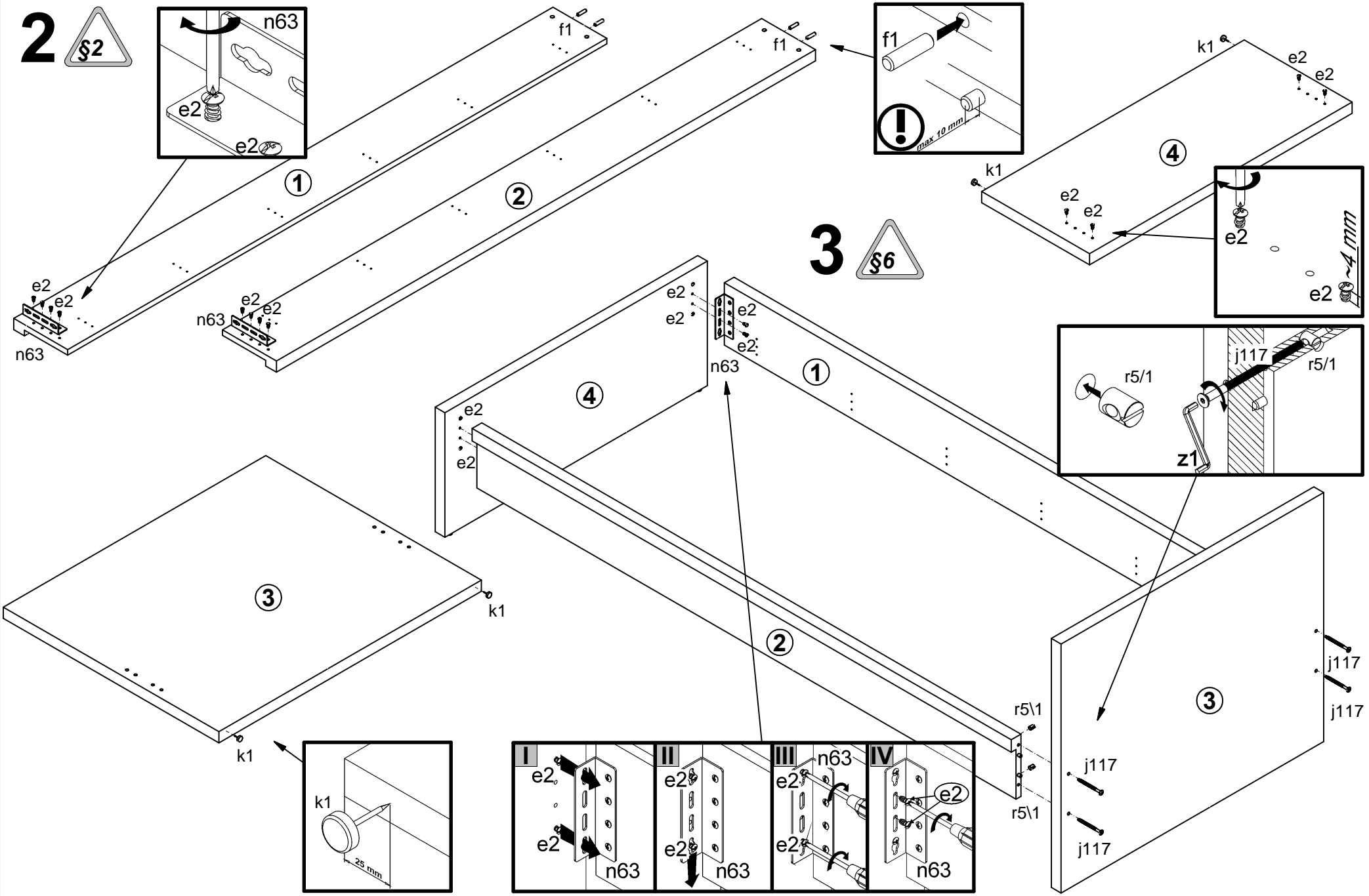
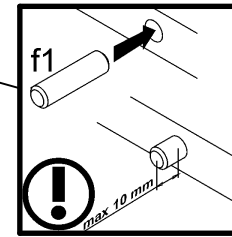
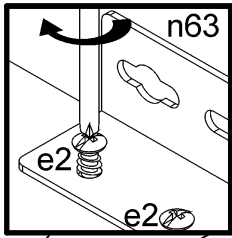
B



C



2 §2



4

3 §6

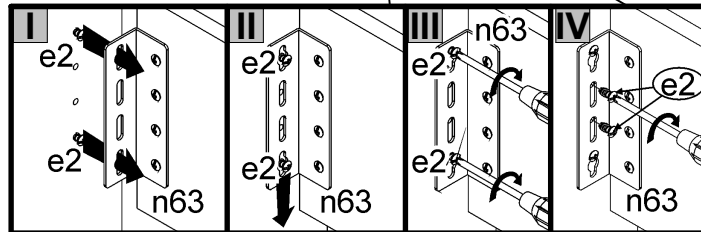
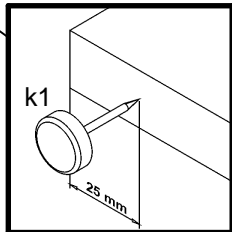
3

4

1

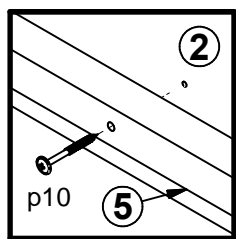
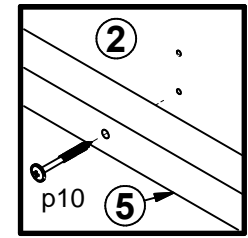
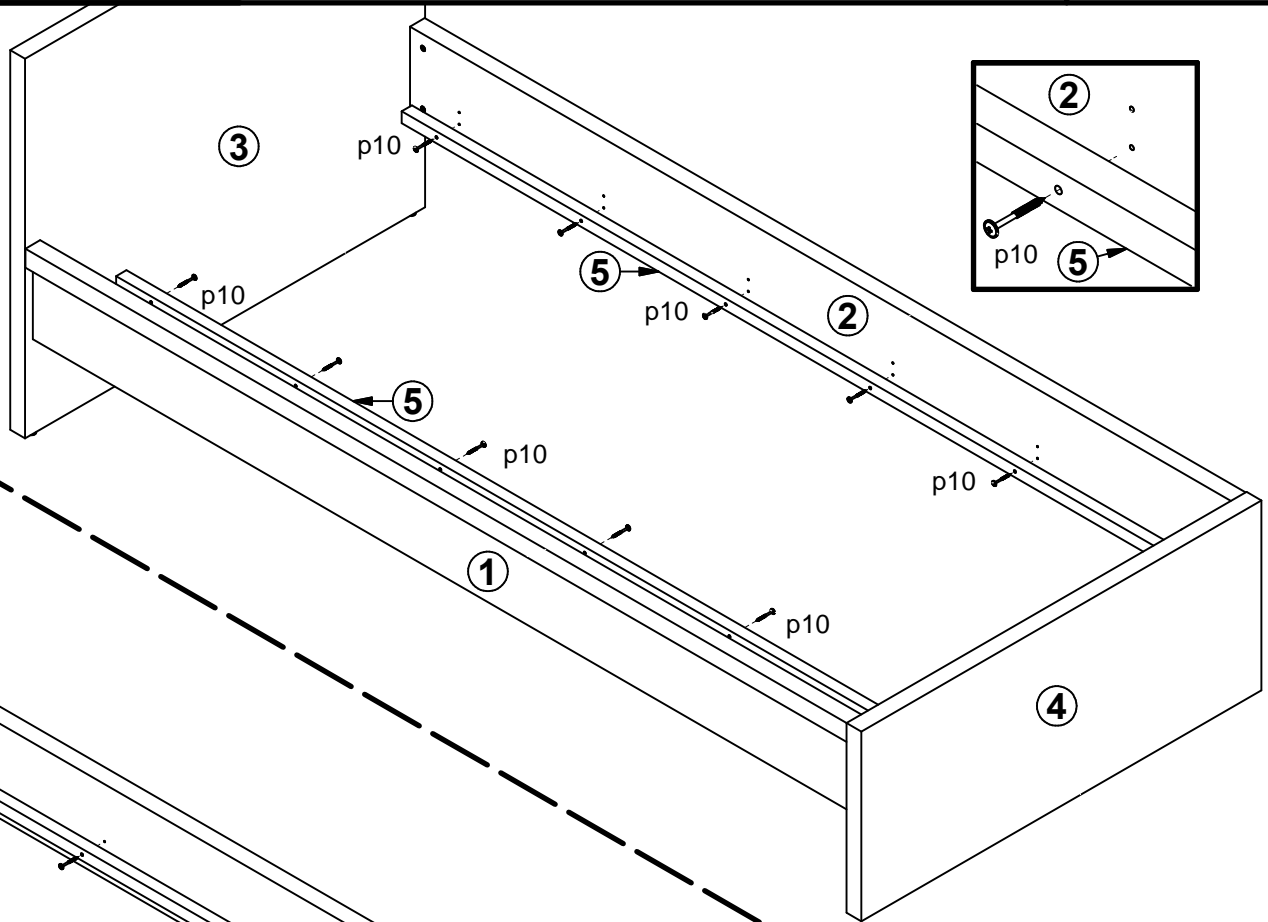
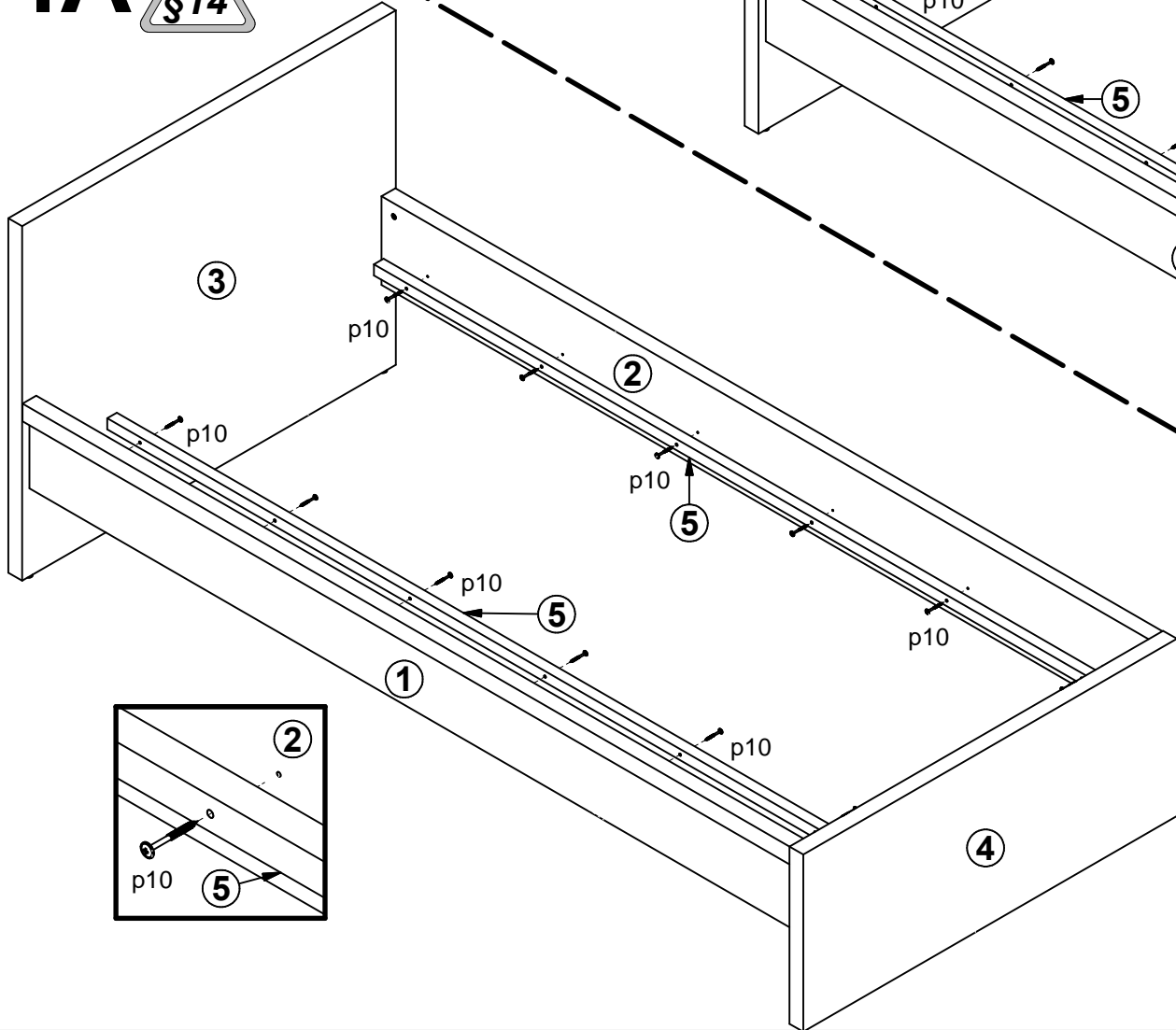
2

3



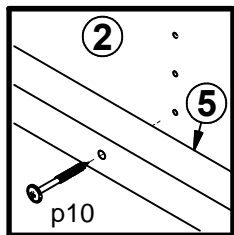
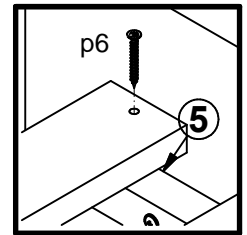
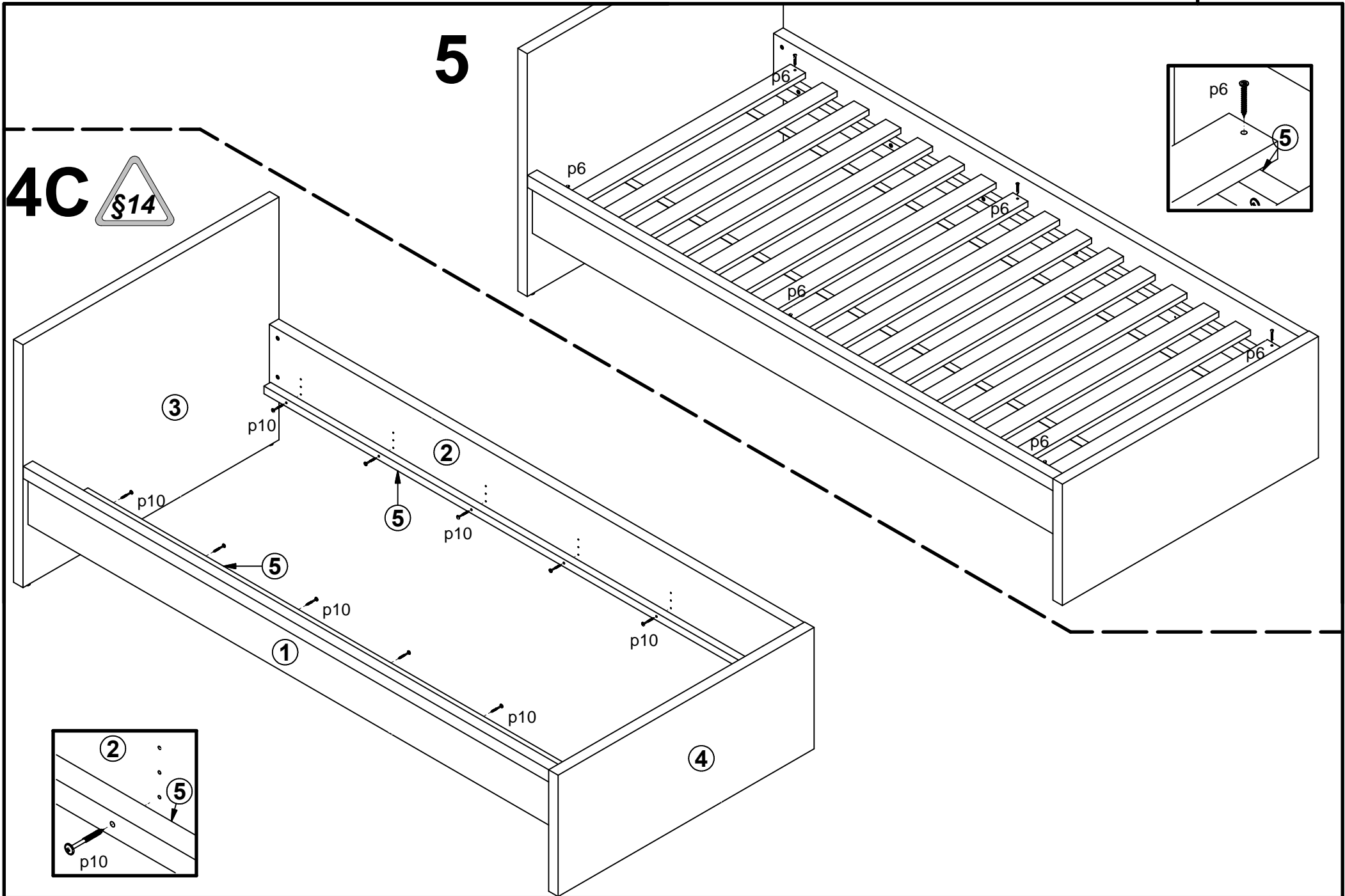
4A 

4B 



5

4C



6

