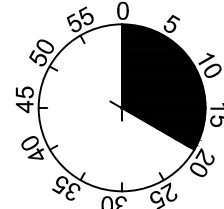
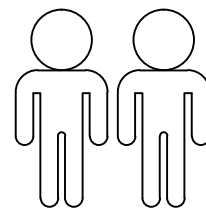
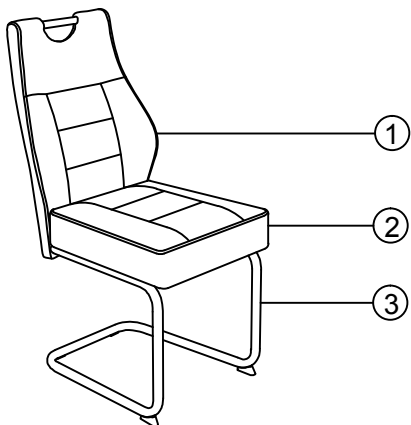


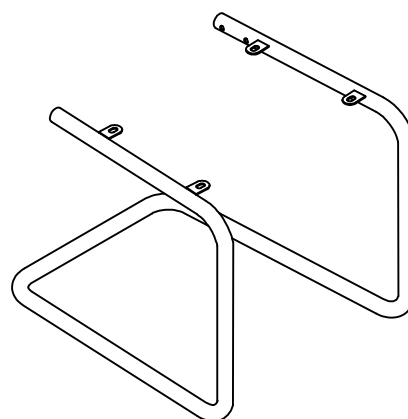
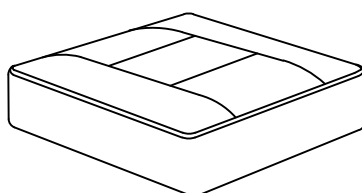
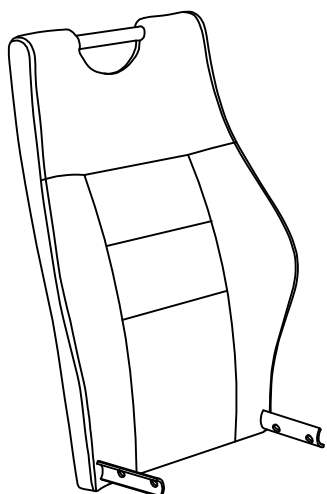
# Linda



1

2

3



|   |    |
|---|----|
| 1 | 1x |
| 2 | 1x |
| 3 | 1x |

|   |       |   |       |   |            |   |            |   |    |   |     |
|---|-------|---|-------|---|------------|---|------------|---|----|---|-----|
| A | M6X20 | B | M8x20 | C | Ø18xØ8x1.5 | D | Ø18xØ6x1.5 | E | M8 | F | 4MM |
|   | 4x    |   | 4x    |   | 4x         |   | 4x         |   | 4x |   | 1x  |
| G | 6MM   | H | M4x20 | I |            |   |            |   |    |   |     |
|   | 1x    |   | 4x    |   | 2x         |   |            |   |    |   |     |

**I.**

**1**

**H** M4x20  
4x

**I**  
2x

100%

**2**

**B** M8x20  
4x

**C** Ø18xØ8x1.5  
4x

**E** M8  
4x

**G** 6MM  
1x

75%

**3**

**A** M6x20  
4x

**D** Ø18xØ6x1.5  
4x

**F** 4MM  
1x

75%

**4**

**F** 4MM  
1x

**G** 6MM  
1x

100%

