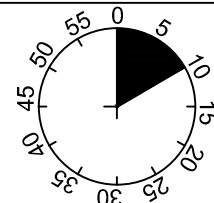
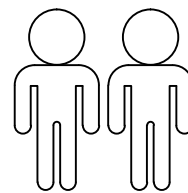
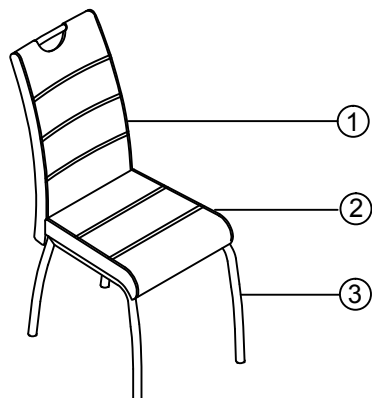
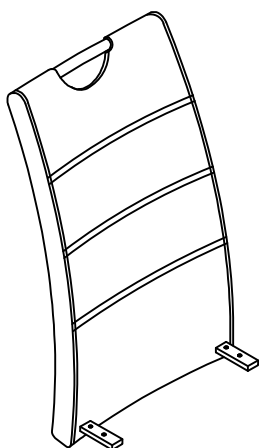


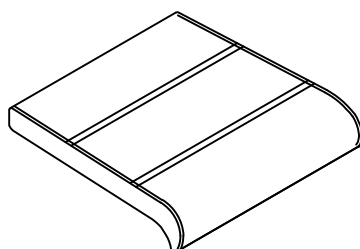
Susi



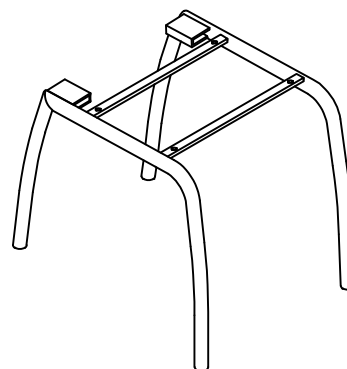
1



2



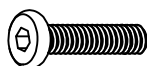
3



1	1x
2	1x
3	1x

A

M6x25



4x

B

M6x12



4x

C

Ø18xØ6x1.5



4x

D

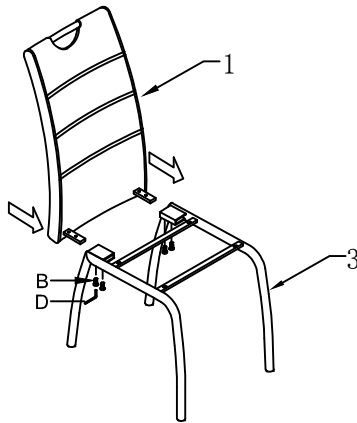
4MM



1x

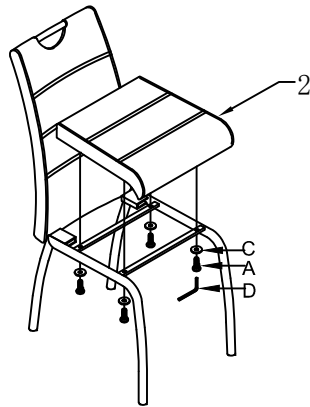
I.

1



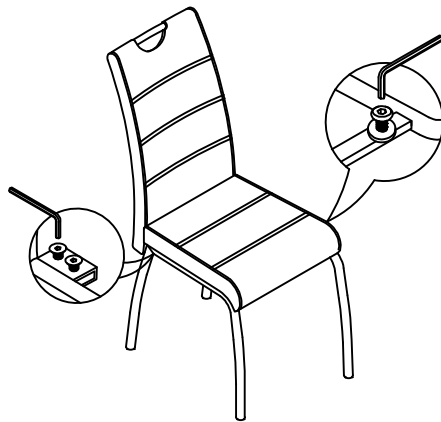
B	M6x12
	4x
D	4MM
	1x
	75%

2



A	M6x25
	4x
C	Ø18xØ6x1.5
	4x
D	4MM
	1x
	75%

3



D	4MM
	1x
	100%

4

