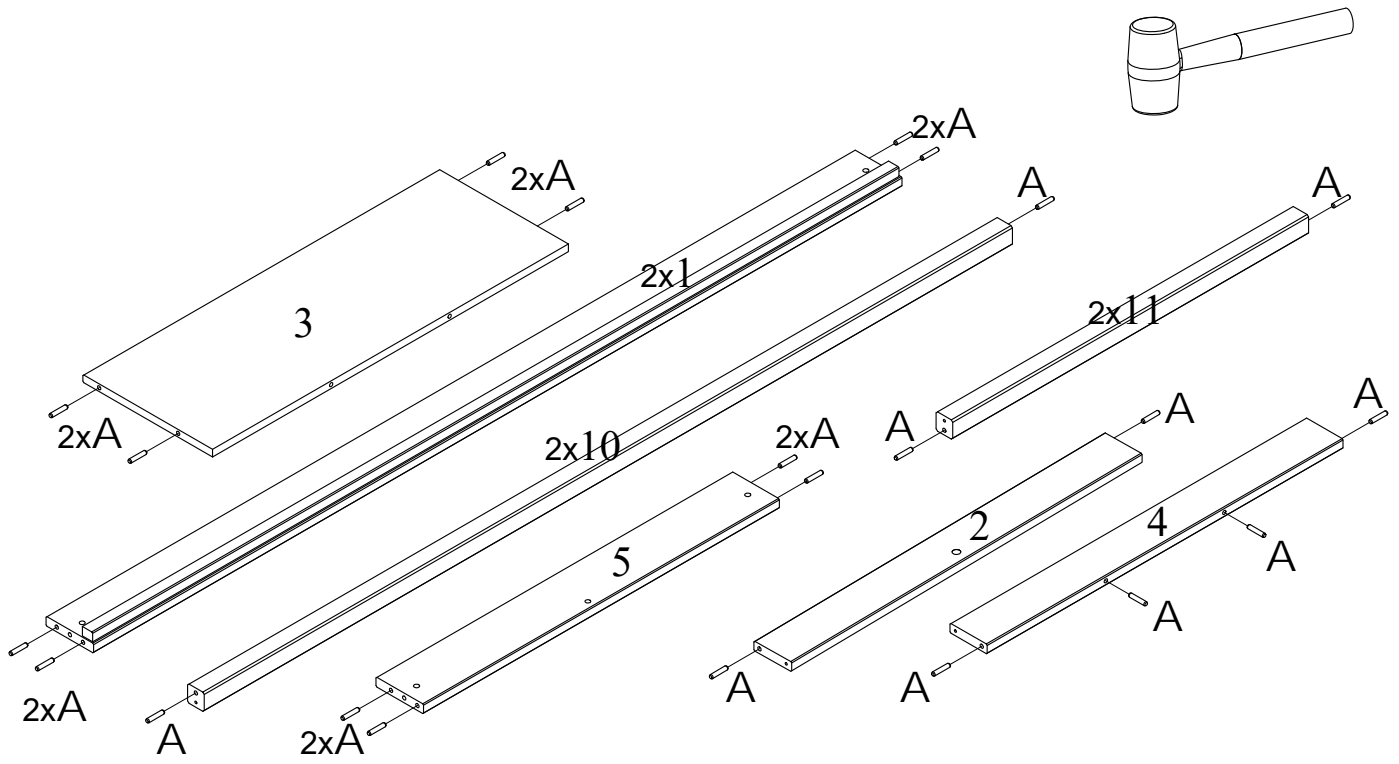


A		8x40	x30
B		6x90	x6
C		M6x10x13	x6
D		6,3x90	x12

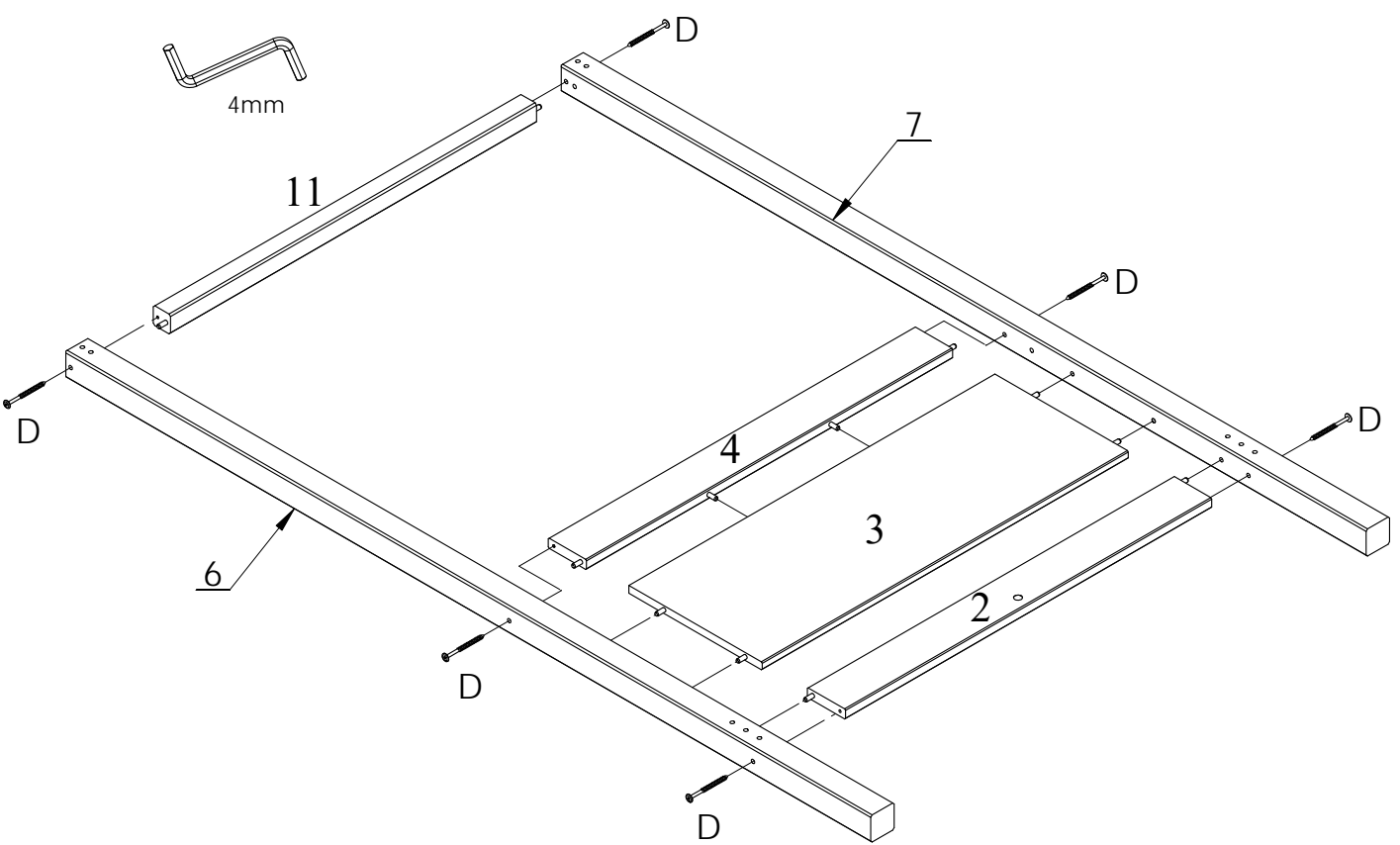
E		D15x18	x18
F		3,5x40	x6
K		4mm	x1

①



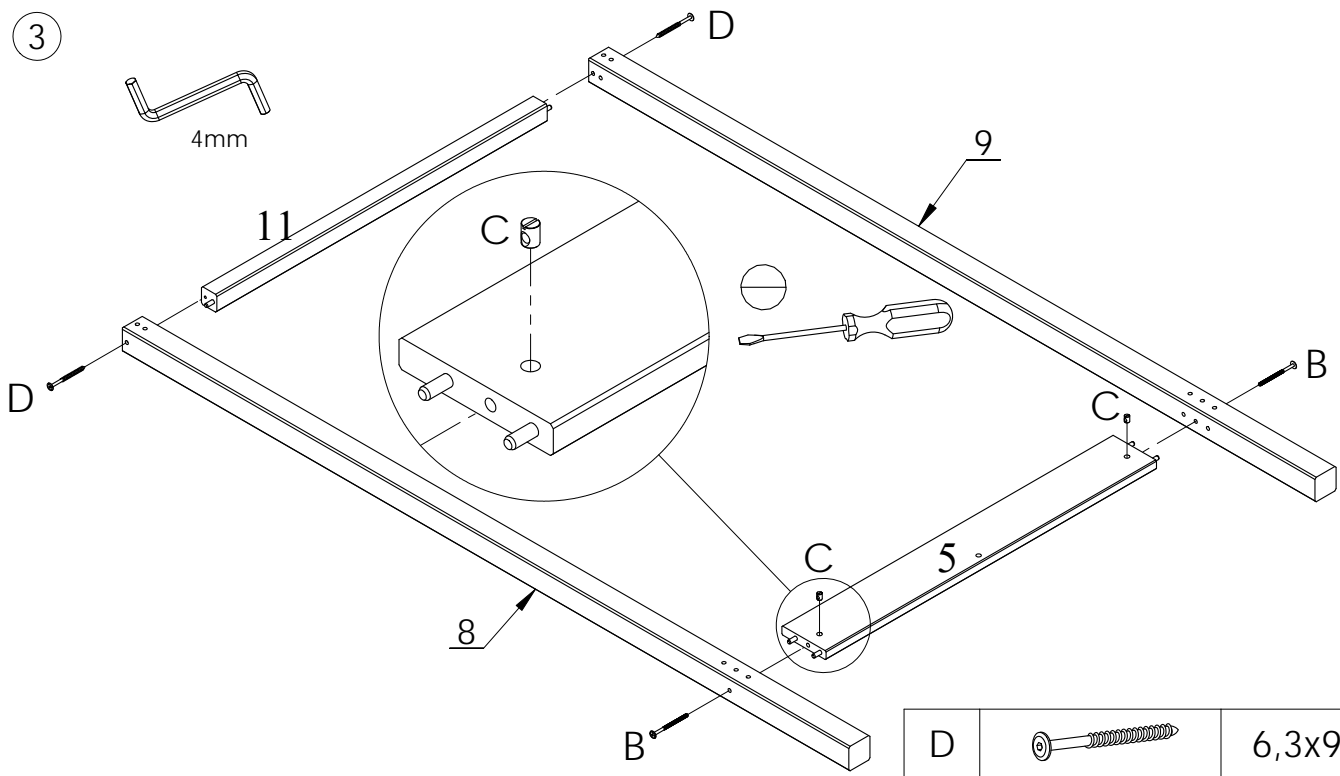
A		8x40	x30
---	--	------	-----


②





D		6,3x90	x6
---	--	--------	----

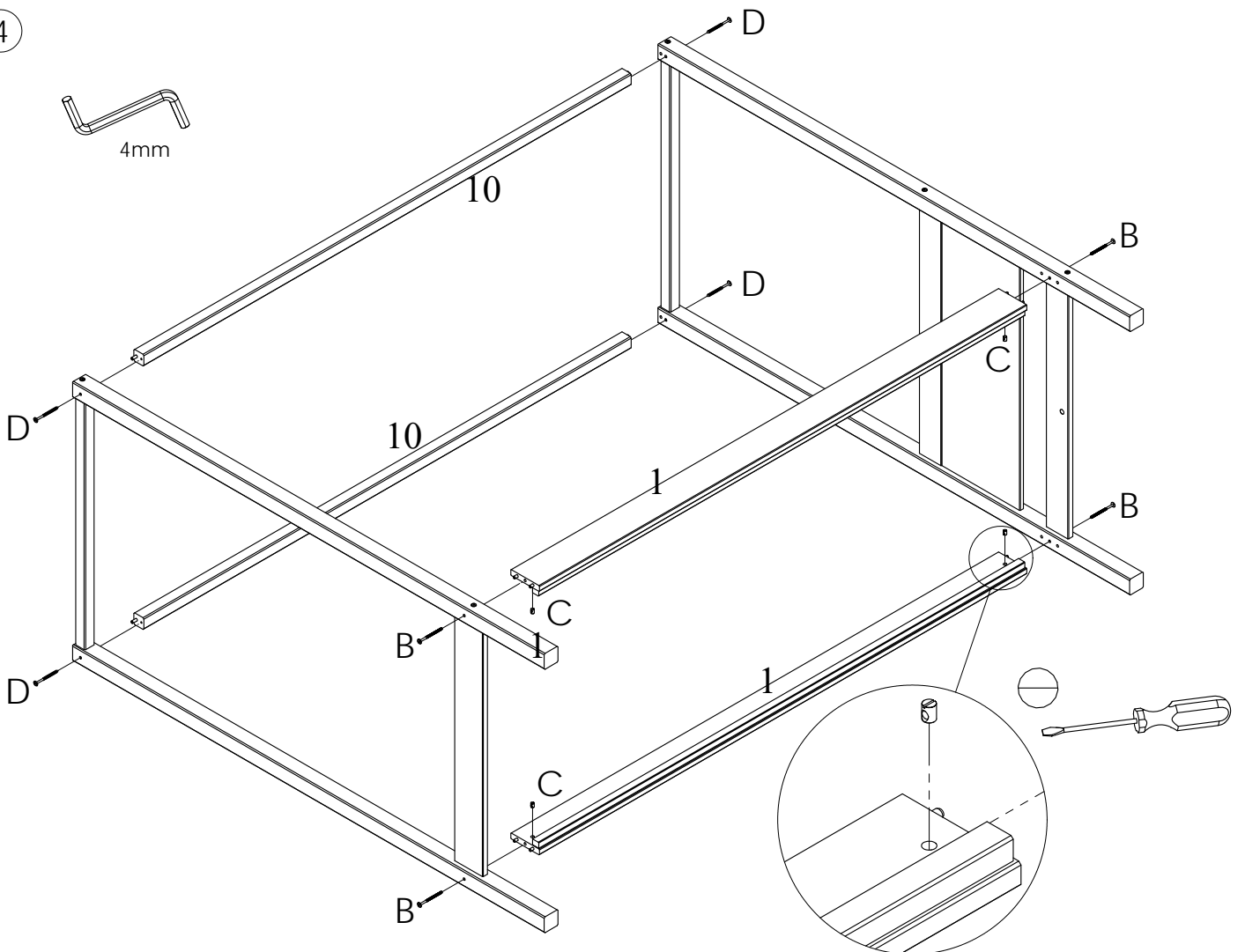
3






C		M6x10x13	x2
---	-----------------------------------------------------------------------------------	----------	----

D		6,3x90	x2
B		6x90	x2

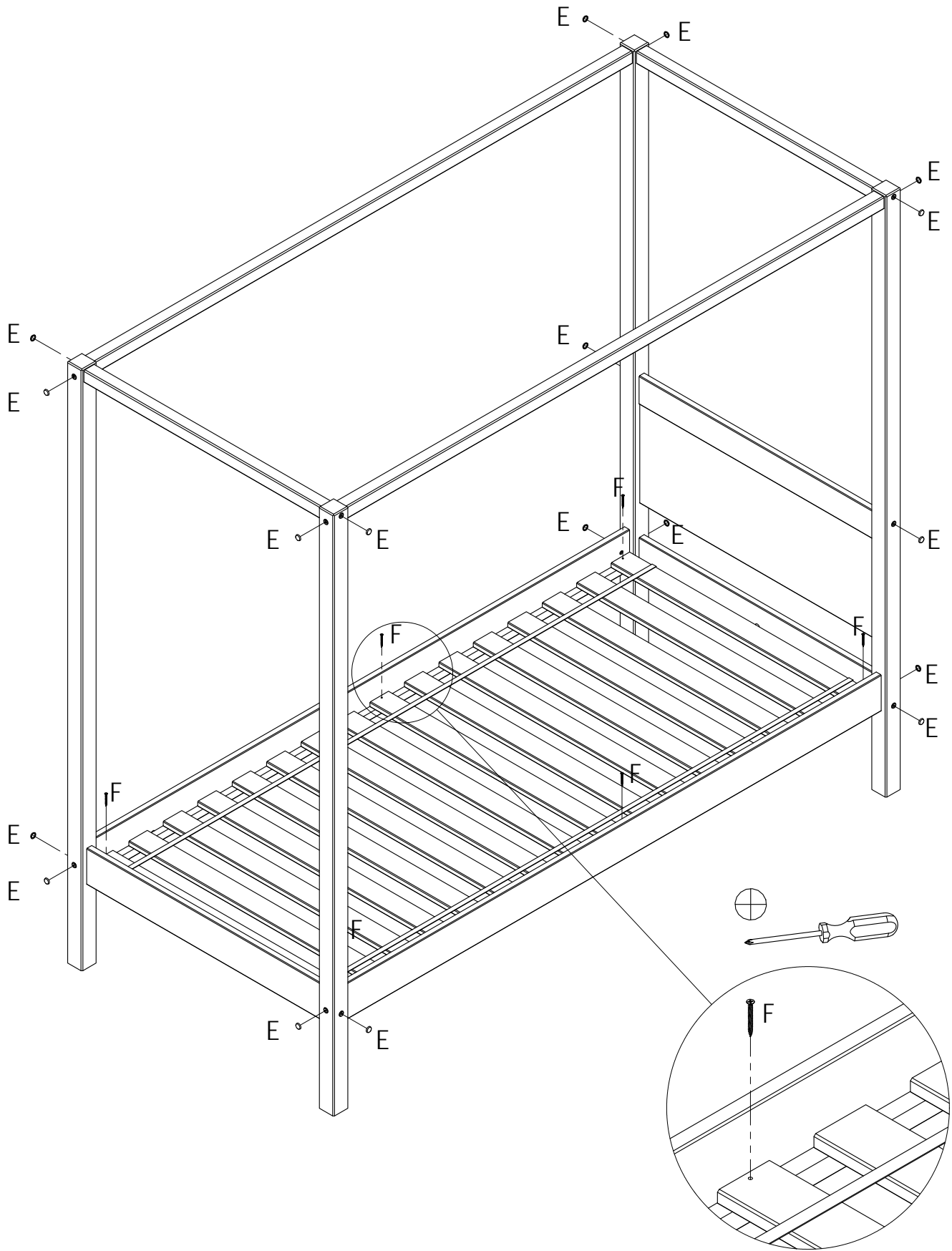
4





D		6,3x90	x4
B		6x90	x4

C		M6x10x13	x4
---	---------------------------------------------------------------------------------------	----------	----

5



E		D15x18	x18
F		3,5x40	x6