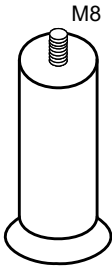
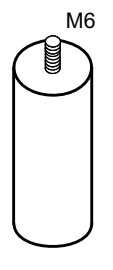
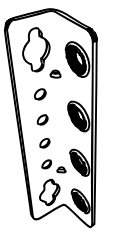
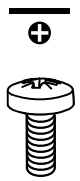

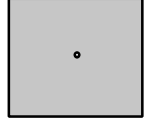
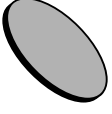
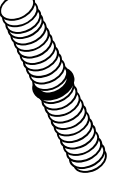
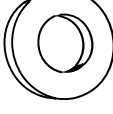
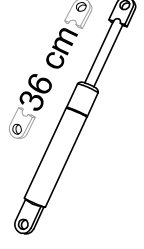
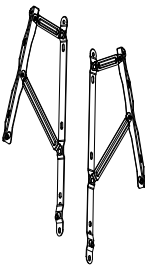
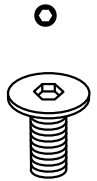
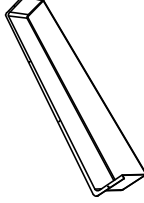

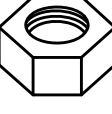
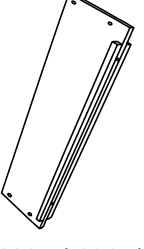
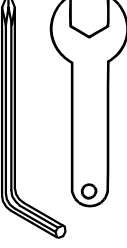

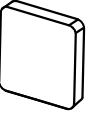
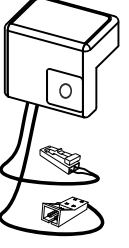
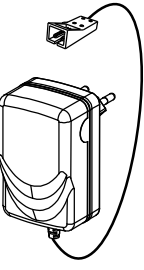
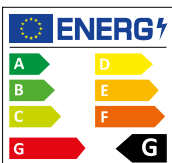


CANDELA by meise (KB-604)

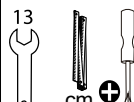
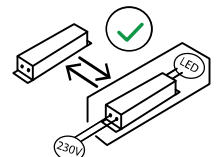
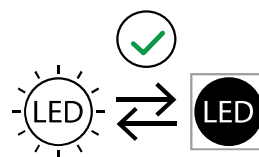
Bettkasten / storage

120 cm
140 cm

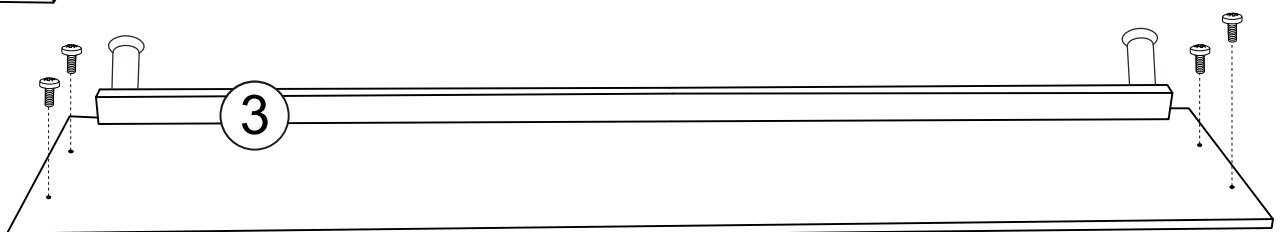
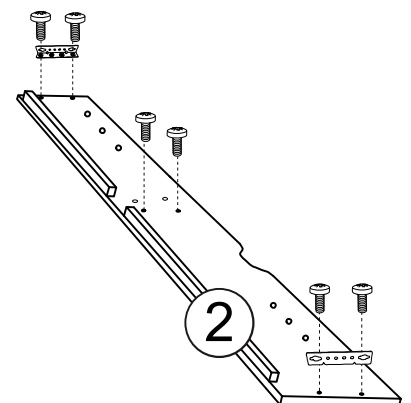
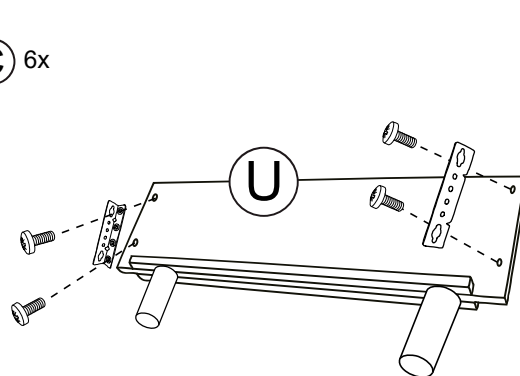
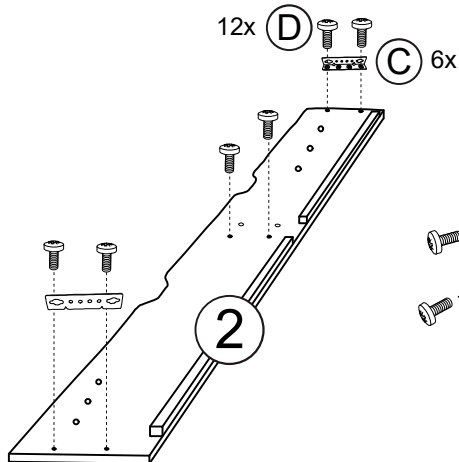
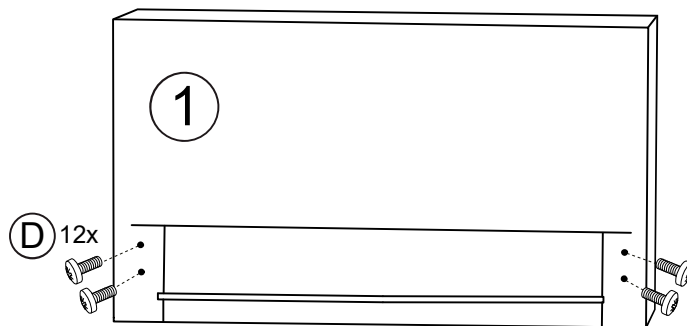
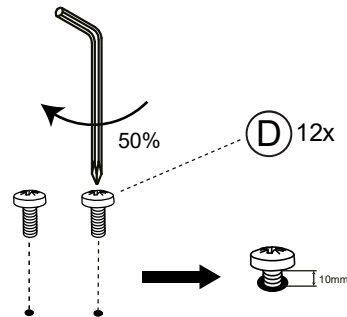
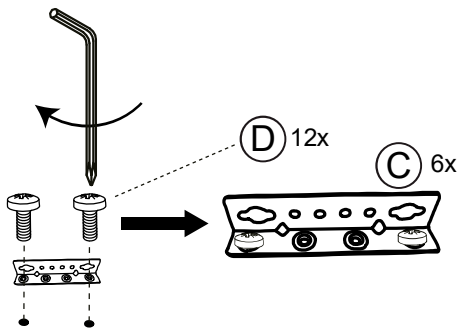
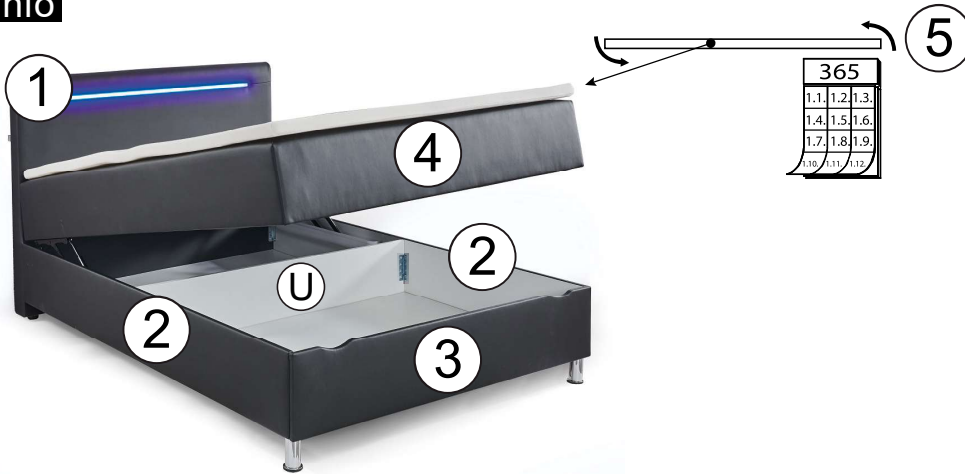
A-12	B-12	C-12	D-12	E-12	F-12	G-12	H-12	I-12
2	2	6	26	-	-	-	2	2
 M8 H 100	 M6 H 95		 M6*20	-	-	-	 H115	 983*1158 983*1358
J-12	K-12	L-12	M-12	N-12	OL/OR-12	P-12	Q-12	R-12
4	4	4	2	-	1 / 1	6	2	24
	 M8*70	 M8	 36 cm 1200 N	-		 M8*20	 730*95*60	 4*15
S-12	T-12	U-12	V-12	W-12	X-12	Y-12	Z-12	AA-12
4	-	1	-	1 / 1	-	-	-	-
 M8	-	 1165 / 1365* 245	-	 5*13	-	-	-	-
AB-12	AC-12	AD-12	AE-12	AF-12	AG-12	AH-12	AI-12	AJ-12
1	1	1	1	-	-	-	-	-
 3,5*16	 11*11		 15W	-	-	-	-	-



Dieses Produkt enthält eine Lichtquelle der Energieeffizienzklasse G.
This product contains a light source of energy efficiency class G.



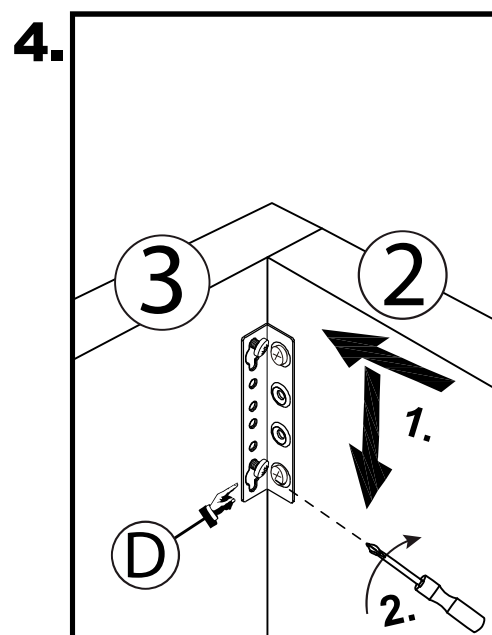
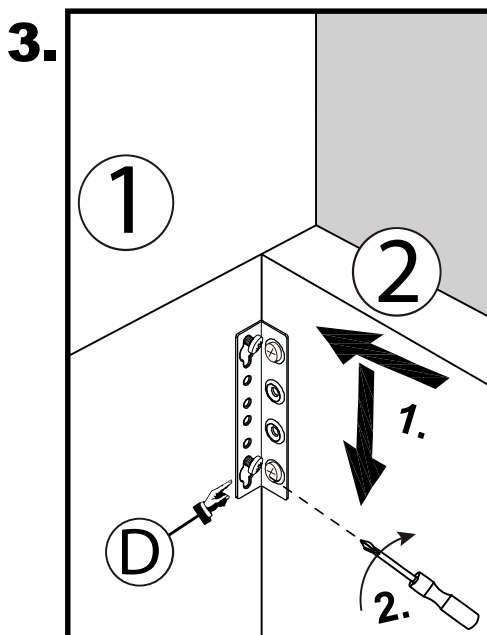
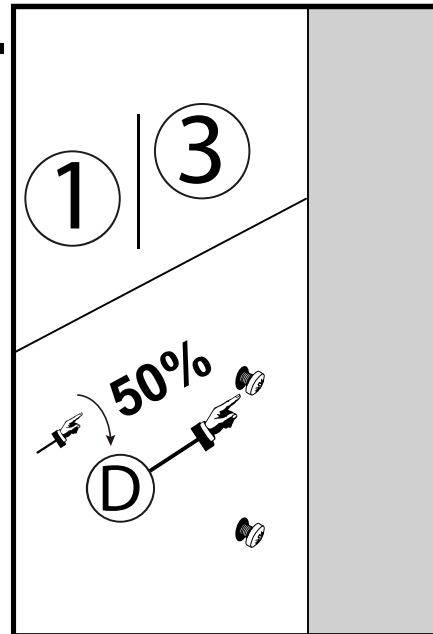
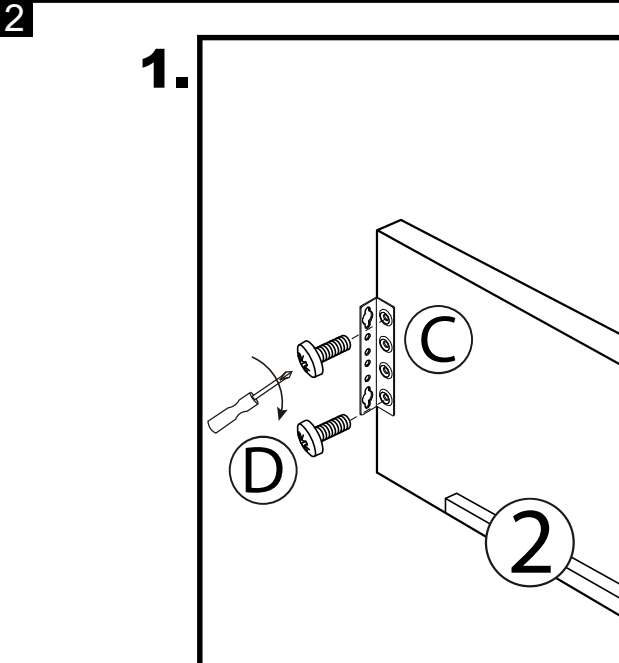
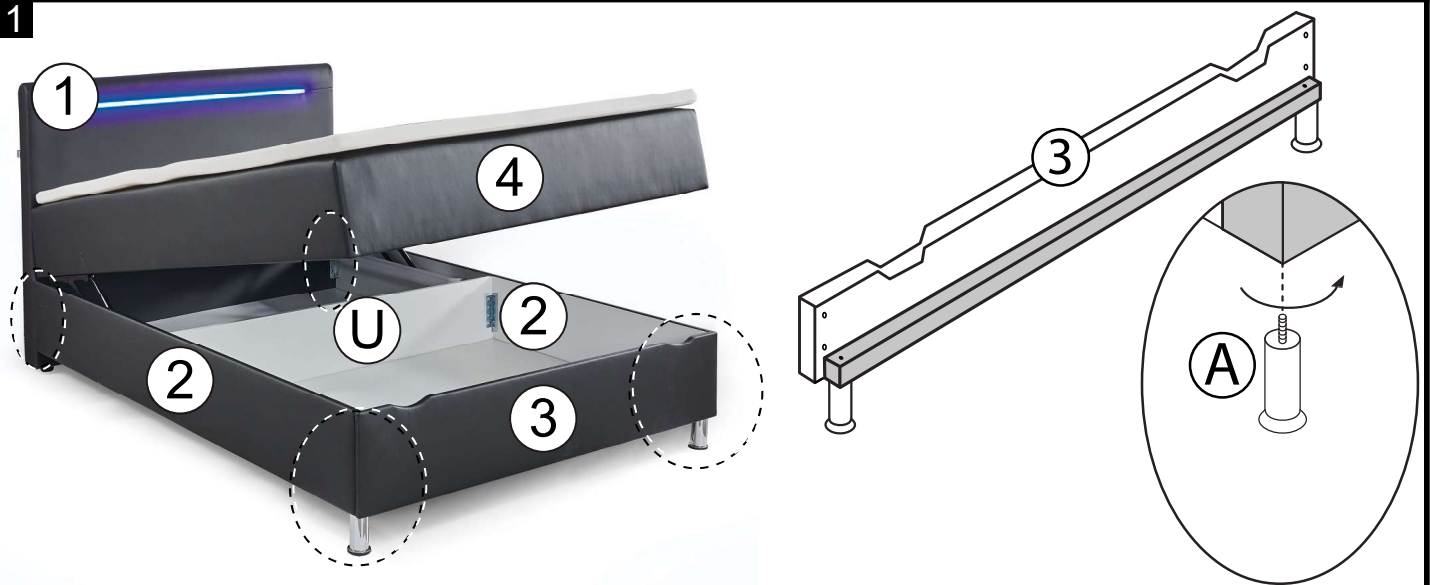
Info



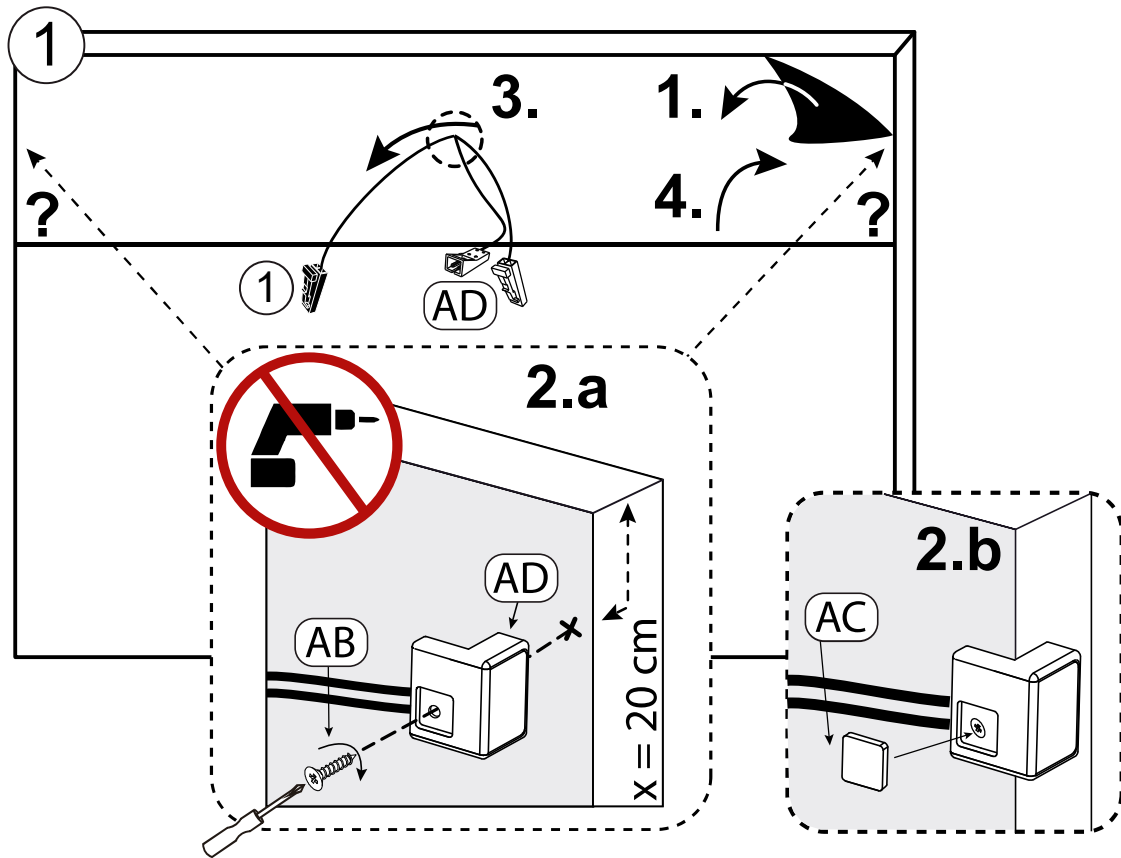
CANDELA by meise (KB-604)

Bettkasten / storage

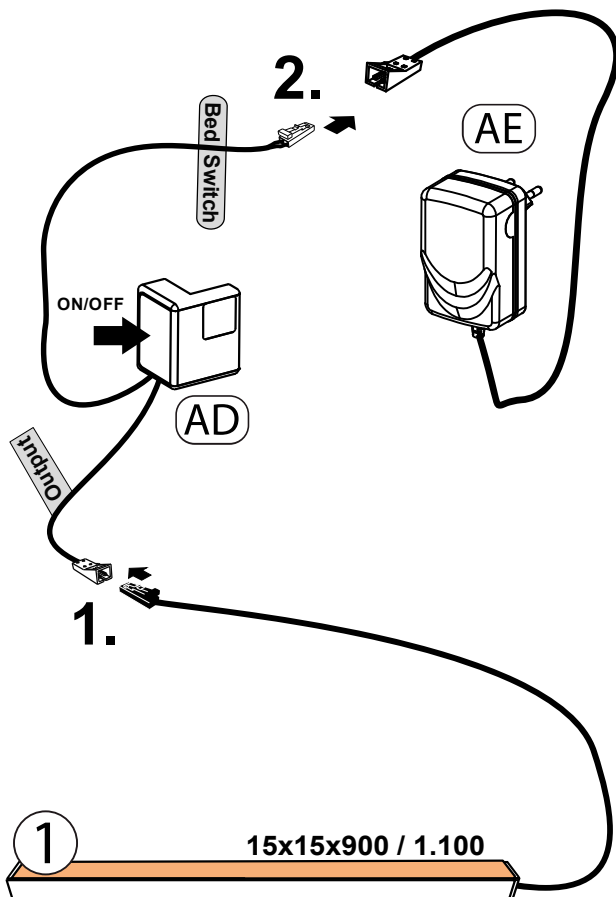
160 cm
180 cm



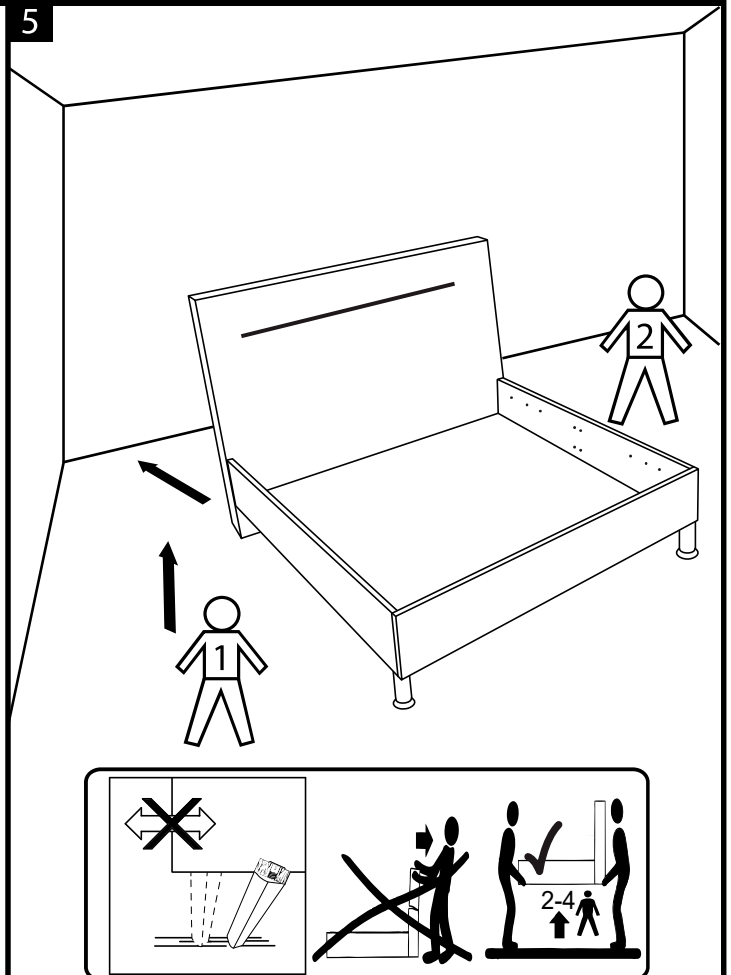
3



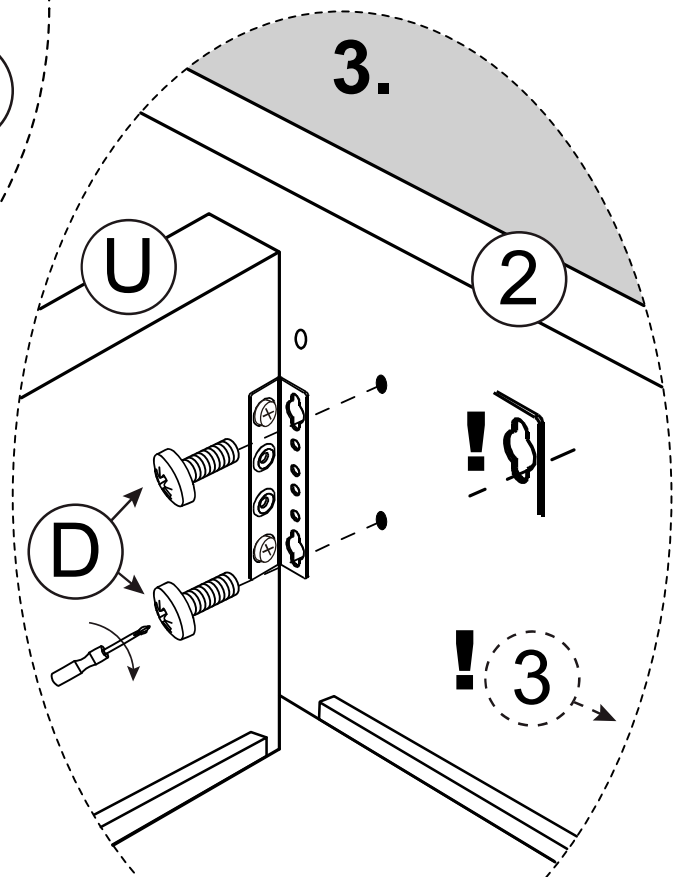
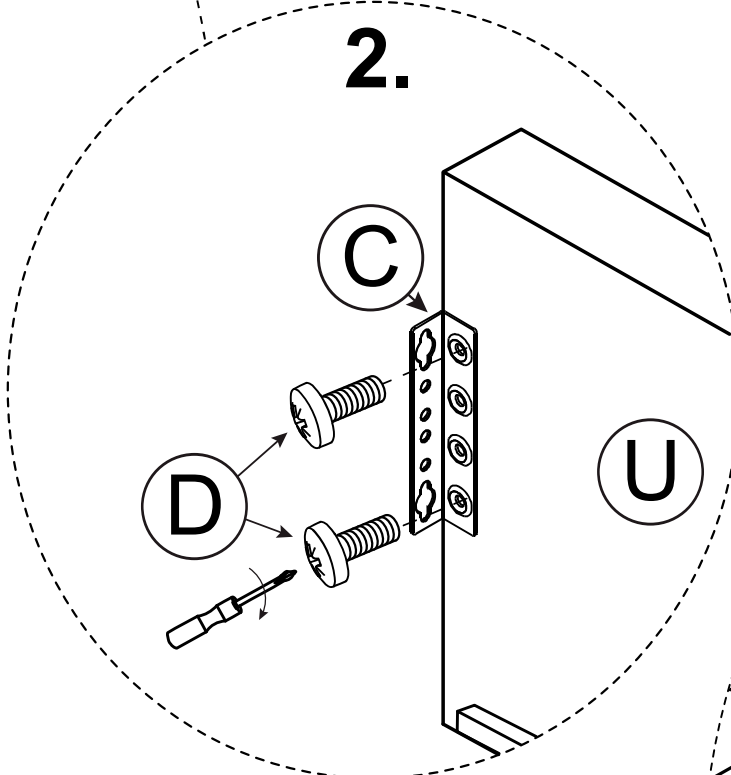
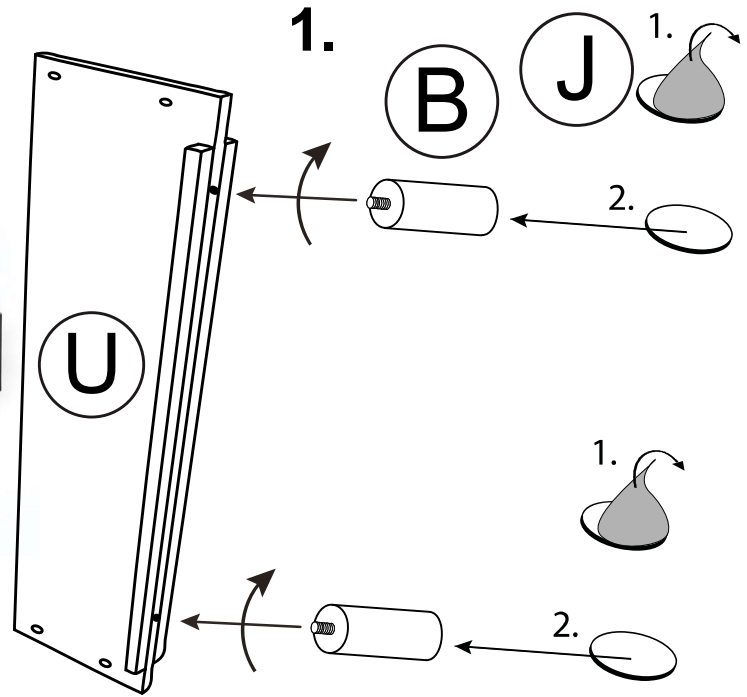
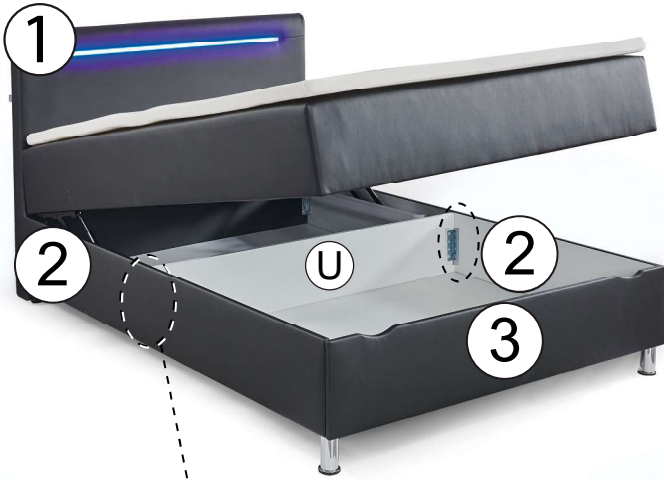
4



5



6



7

1. $2x$ (D) (I) (H) (J)

2. (M1) = (M2)
 (2) / (3) = 90°

3.

4. (8x R) (M1) (M2)

5. kg
 (1) = <5KG

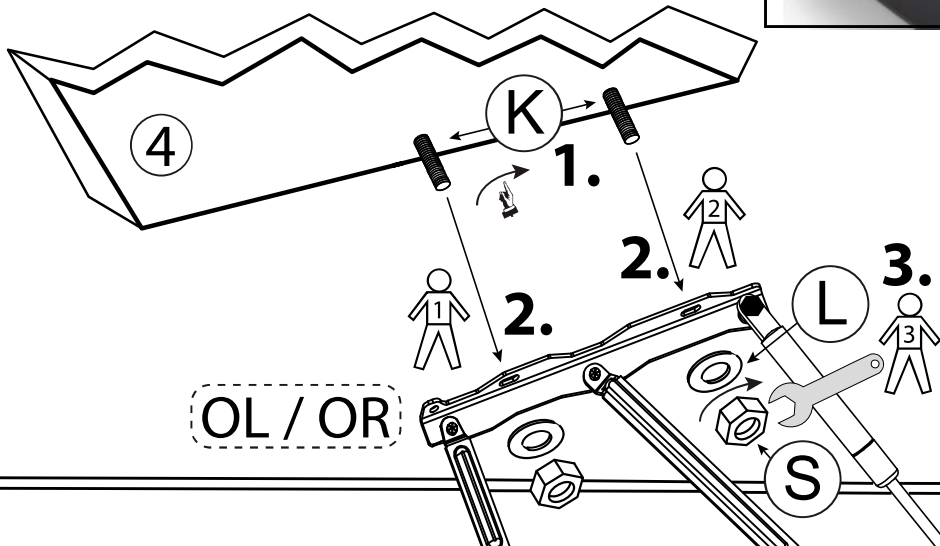
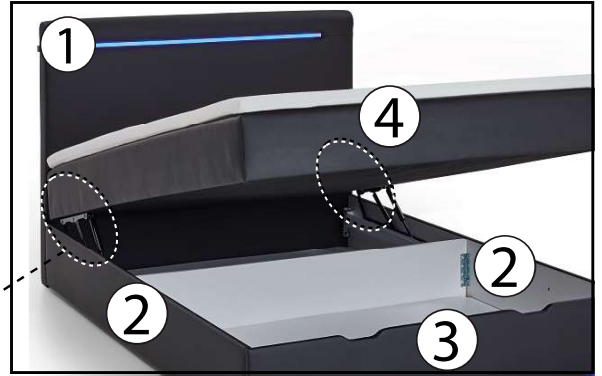
8

1. (OL/OR) (1) (2) (3) (M)

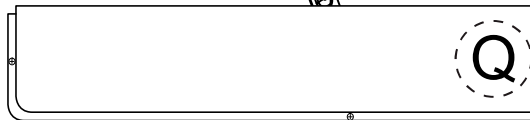
2. (2) (OR) (P)

3. (OL/OR) (Q) (2) (4x R)

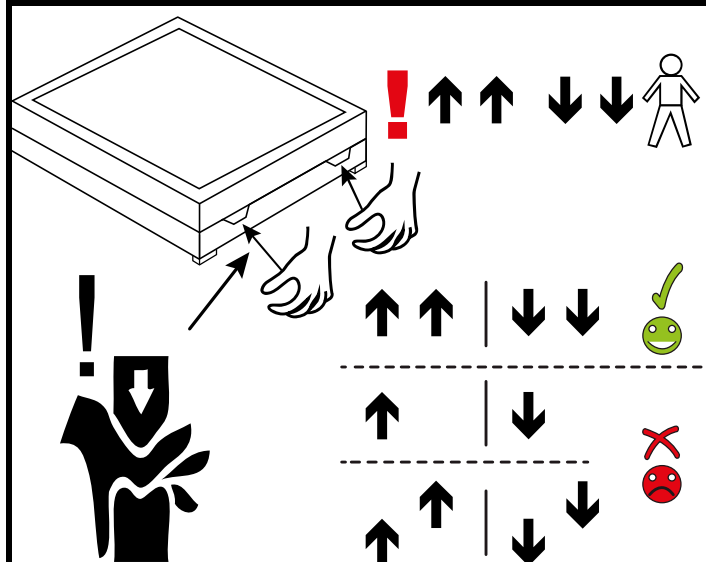
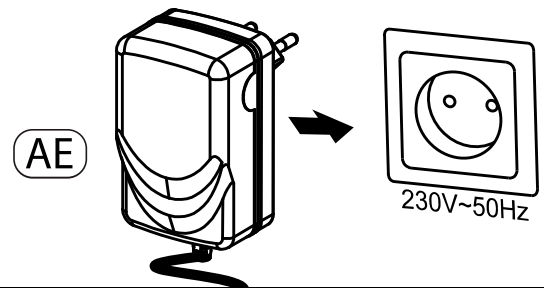
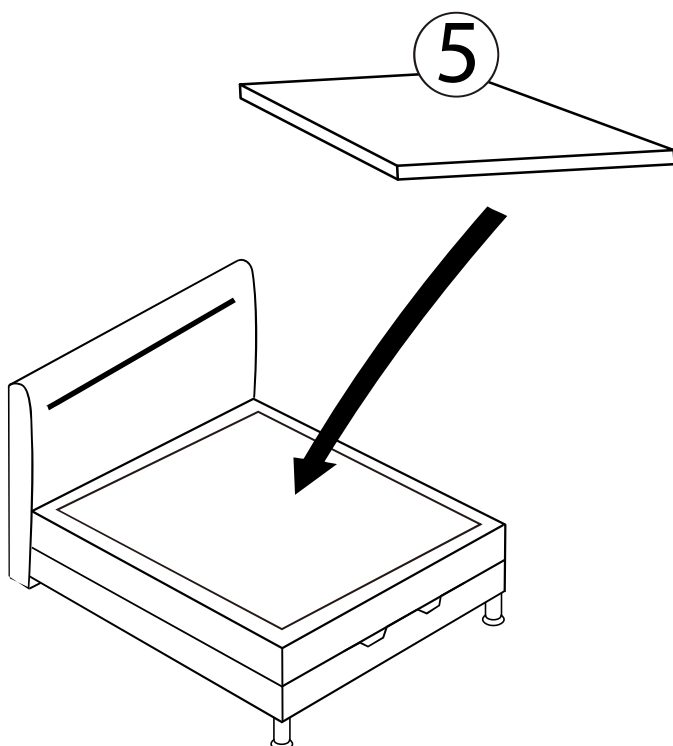
9



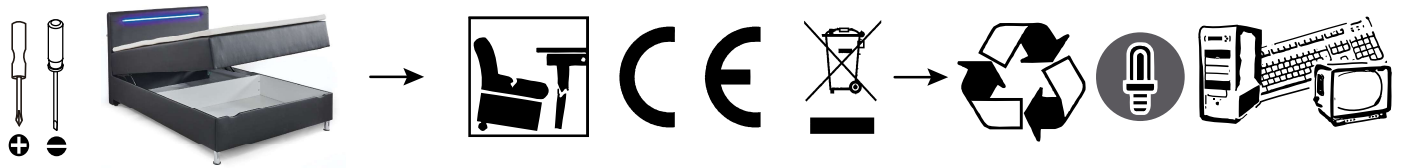
2



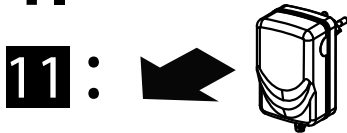
10



Recycling



1.



4 3 :

