
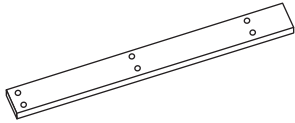
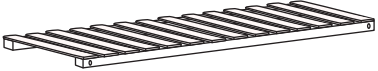


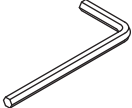


NO.	Part	PCS
A		1
B		4
C		2

NO.	Part	PCS
D		16
E		8
F		1

