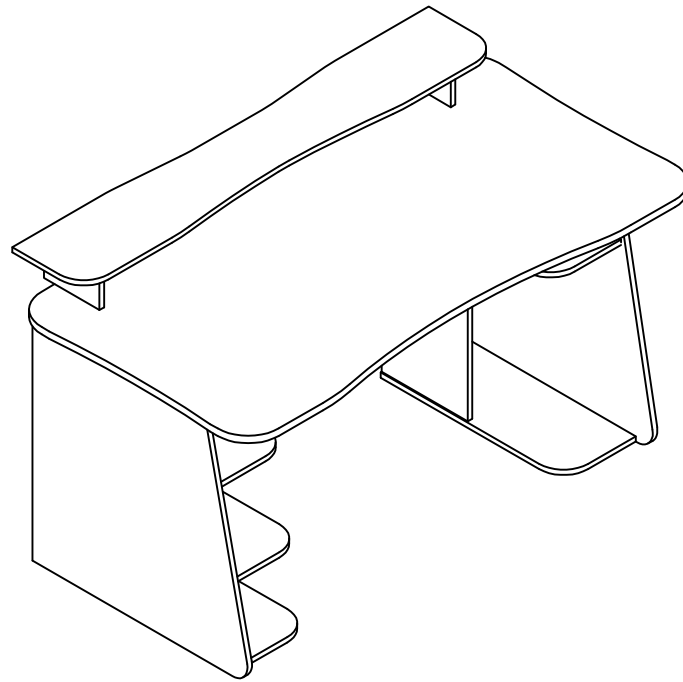


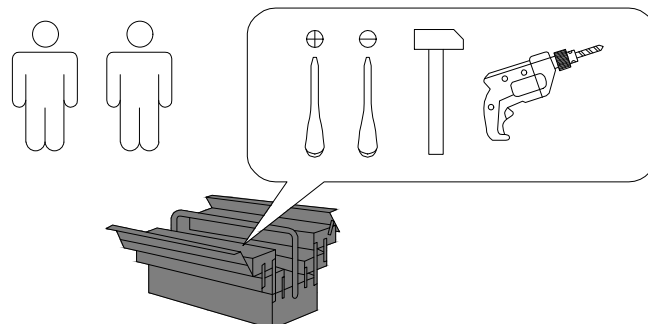
Art. Nr. 67675706

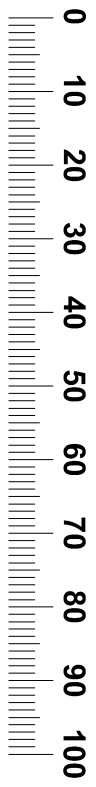
HNO-012



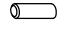











- |   |                                     |
|---|-------------------------------------|
| <b>(D)</b> Montageanleitung             | <b>(GB)</b> Assembly instructions   |
| <b>(FR)</b> Notice de montage           | <b>(IT)</b> Istruzioni di montaggio |
| <b>(NL)</b> Handleiding voor de montage | <b>(PL)</b> Instrukcja montazu      |
| <b>(CZ)</b> Montážní návod              | <b>(SK)</b> Návod na montáž         |
| <b>(HU)</b> Szerelési útmutató          | <b>(RO)</b> Instruktiuni de montaj  |
| <b>(TR)</b> Montaj talimati             | <b>(RU)</b> Инструкция по монтажу   |

Ausgabe:20220909





|  |   |  |   |  |  |
|--|---|--|---|--|--|
| <b>A</b><br><br>15x12<br><b>x52</b> | <b>B</b><br><br>7x35<br><b>x52</b> | <b>C</b><br><br>8x30<br><b>x48</b>  | <b>D</b><br><br>Ø20<br><b>x52</b> | <b>E</b><br><br><b>x2</b> | <b>F</b><br><br><b>x8</b> |
| <b>G</b><br><br>15x2<br><b>x2</b>   | <b>H</b><br><br><b>x2</b>          | <b>I</b><br><br>3.5x14<br><b>x4</b> | <b>J</b><br><br>6x40<br><b>x2</b> | <b>K</b><br><br><b>x1</b> | <b>L</b><br><br><b>x1</b> |

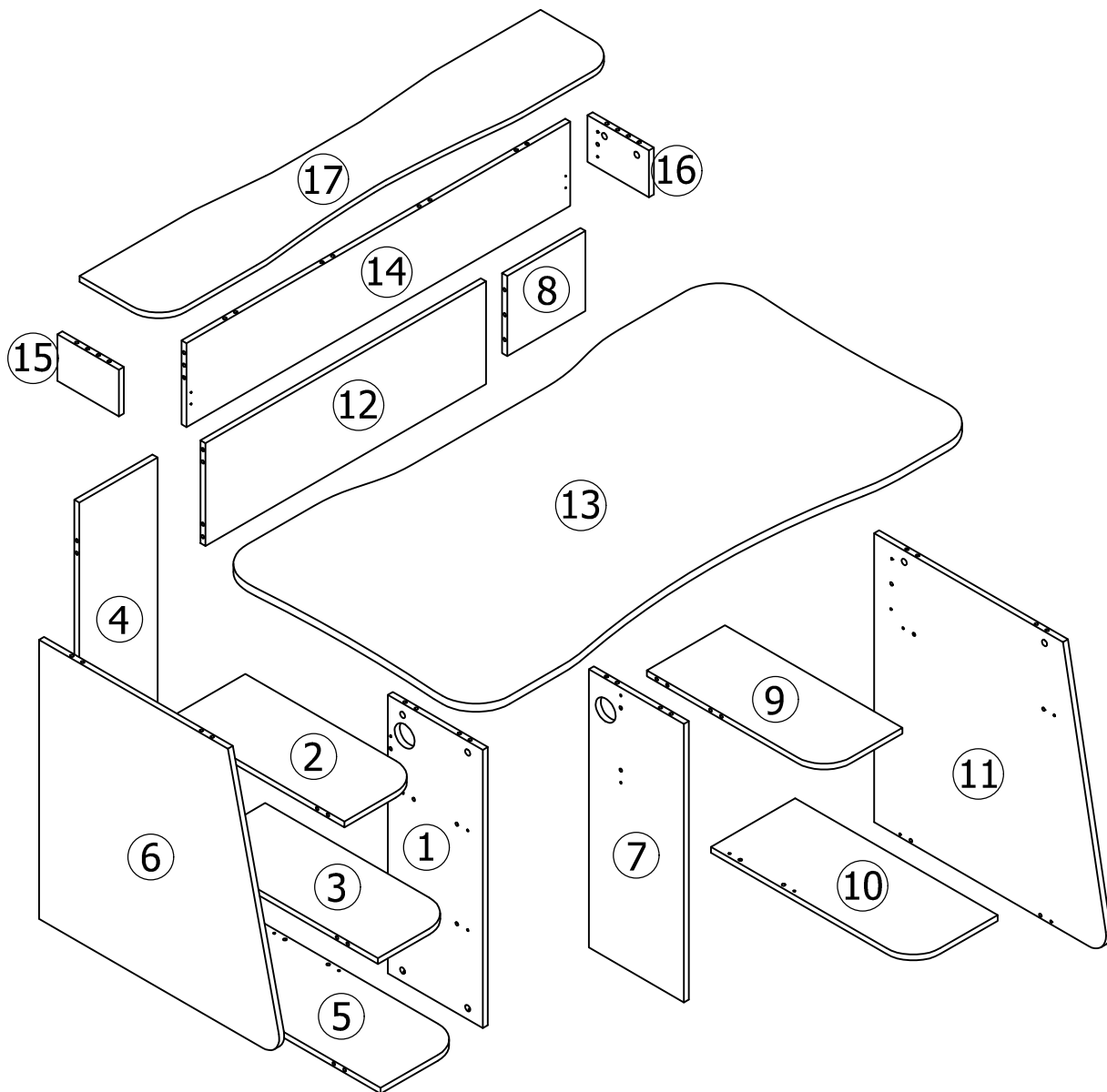
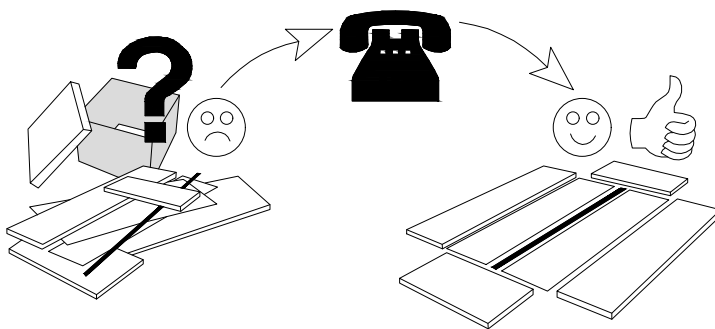
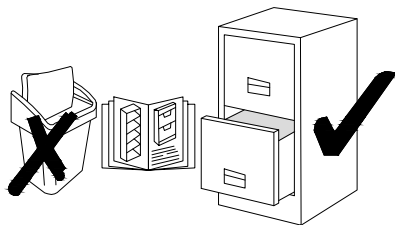
| <b>N</b> | <b>Size/MaB (mm)</b> | <b>Qty</b> | <b>✓</b> | <b>N</b> | <b>Size/MaB (mm)</b> | <b>Qty</b> | <b>✓</b> |
|----------|----------------------|------------|----------|----------|----------------------|------------|----------|
| 1        | 715x282x15           | 1          |          | 10       | 600x250x15           | 1          |          |
| 2        | 526x232x15           | 1          |          | 11       | 730x700x15           | 1          |          |
| 3        | 566x232x15           | 1          |          | 12       | 832x264x15           | 1          |          |
| 4        | 715x232x15           | 1          |          | 13       | 1500x778x21          | 1          |          |
| 5        | 600x250x15           | 1          |          | 14       | 1138x216x15          | 1          |          |
| 6        | 730x700x15           | 1          |          | 15       | 182x120x15           | 1          |          |
| 7        | 715x282x15           | 1          |          | 16       | 182x120x15           | 1          |          |
| 8        | 206x232x15           | 1          |          | 17       | 1367x235x15          | 1          |          |
| 9        | 526x232x15           | 1          |          |          |                      |            |          |

# Service - Dienstverlening - Serwis - Servis - Сервисная служба

Name - Naam - Nazwa - Isim - Название

Nr. • No. - Номер

Тур • Туре • Тір • Тип



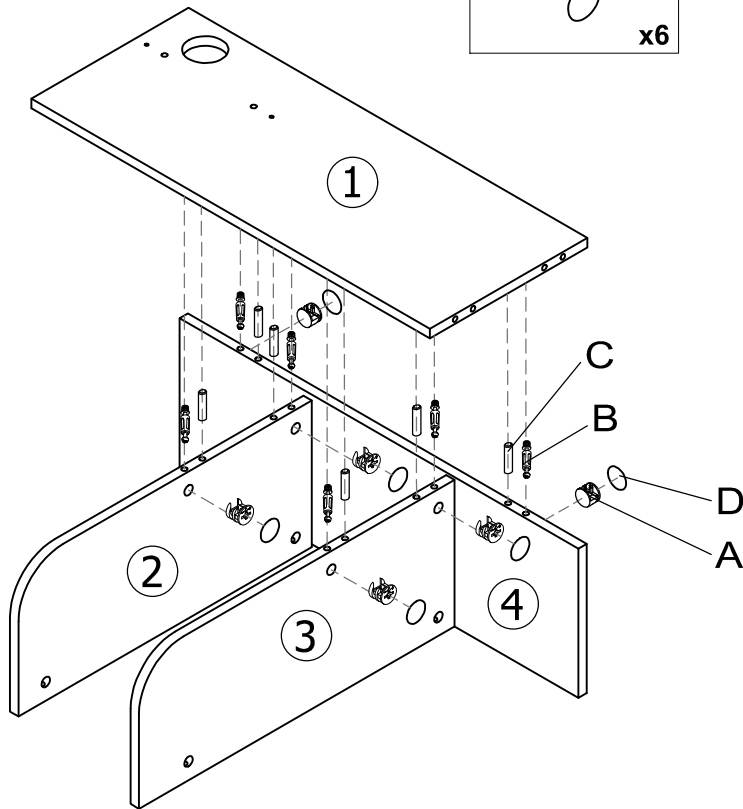
1

A 15x12  
x6

B 7x35  
x6

C 8x30  
x6

D Ø20  
x6



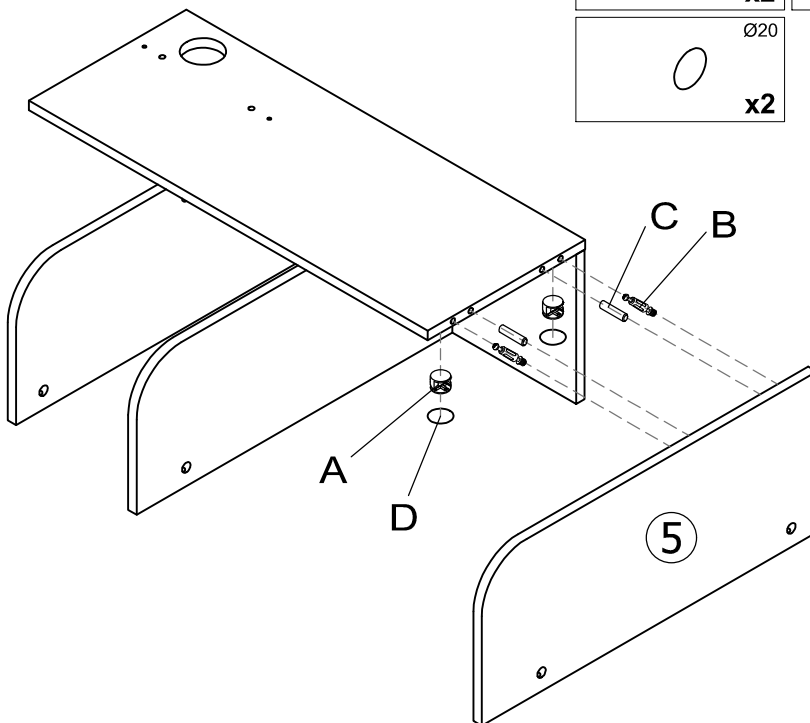
2



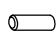

A 15x12  
x2

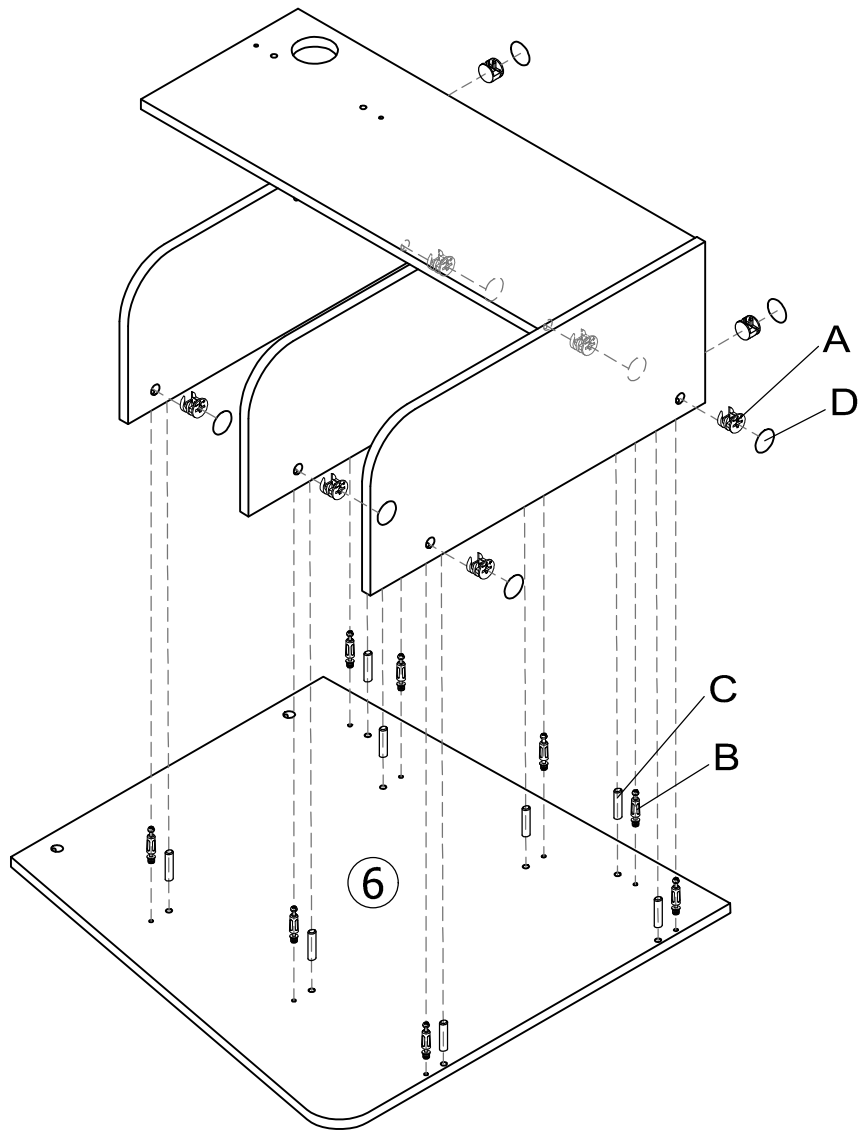
B 7x35  
x2

C 8x30  
x2


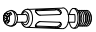


D Ø20  
x2

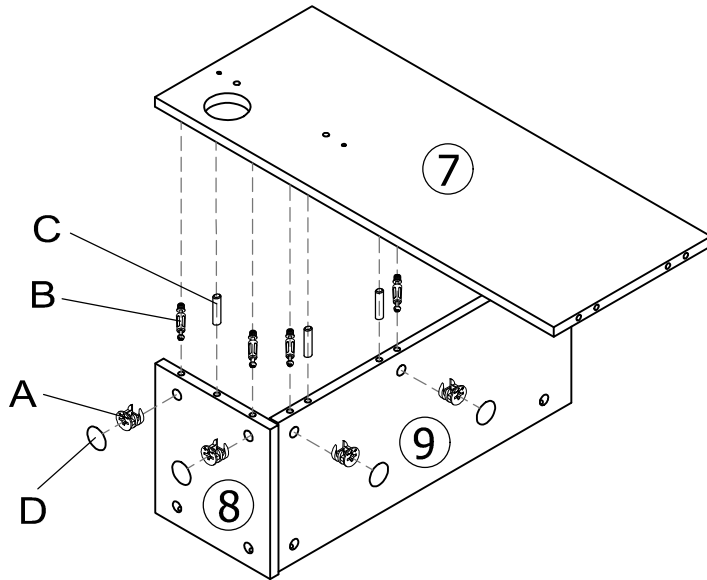


|          |   |          |  |          |  |
|----------|---|----------|--|----------|--|
| <b>A</b> |  15x12 | <b>B</b> |  7x35 | <b>C</b> |  8x30 |
|          | <b>x8</b>   |          | <b>x8</b>  |          | <b>x8</b>  |
| <b>D</b> |  Ø20   |          |  |          |  |
|          | <b>x8</b>   |          |  |          |  |







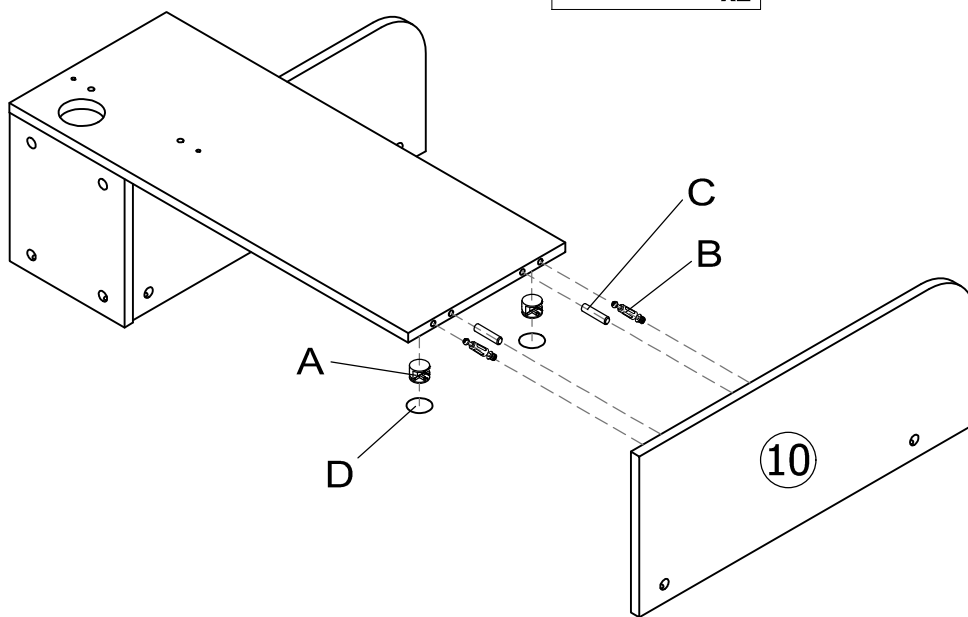
4

|          |   |          |  |          |  |
|----------|---|----------|--|----------|--|
| <b>A</b> |  15x12 | <b>B</b> |  7x35 | <b>C</b> |  8x30 |
|          | <b>x4</b>   |          | <b>x4</b>  |          | <b>x3</b>  |
| <b>D</b> |  Ø20   |          |  |          |  |
|          | <b>x4</b>   |          |  |          |  |






5

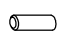
|          |   |          |  |          |  |
|----------|---|----------|--|----------|--|
| <b>A</b> |  15x12 | <b>B</b> |  7x35 | <b>C</b> |  8x30 |
|          | <b>x2</b>   |          | <b>x2</b>  |          | <b>x2</b>  |
|          |  Ø20   |          |  |          |  |
|          | <b>x2</b>   |          |  |          |  |

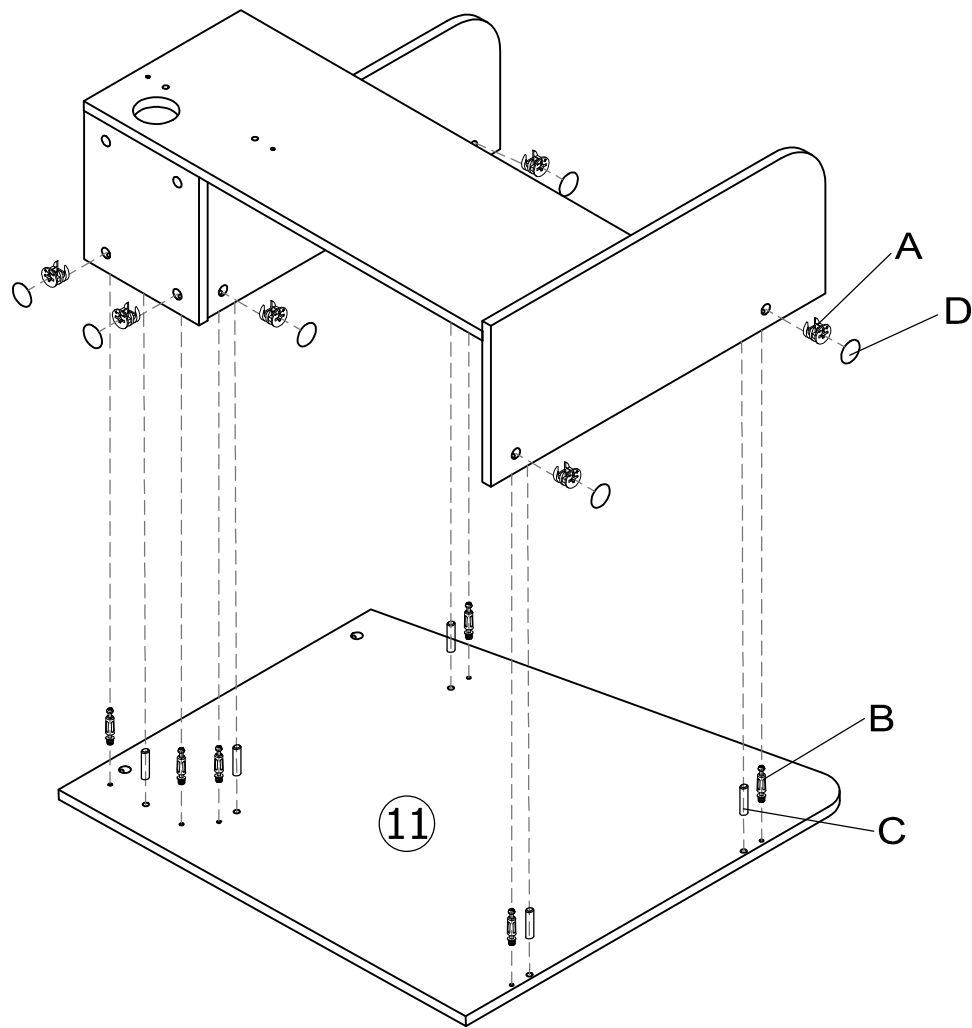




6

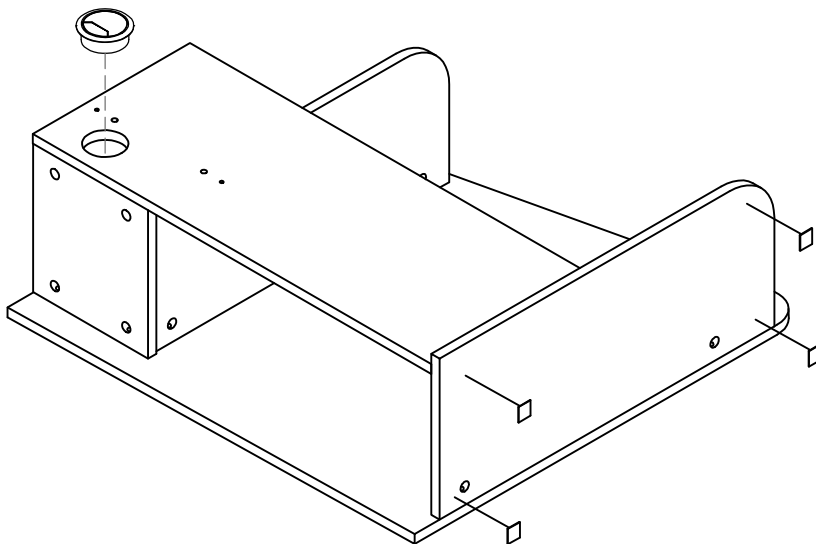
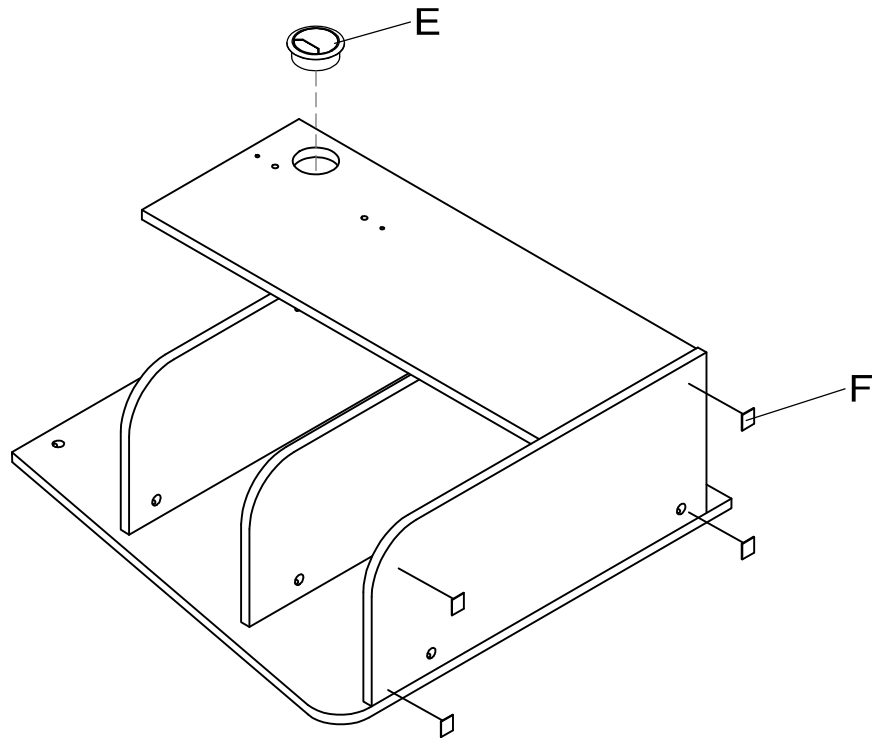
|          |   |           |
|----------|---|-----------|
| <b>A</b> |  | 15x12     |
|          |   | <b>x6</b> |
| <b>D</b> |  | Ø20       |
|          |   | <b>x6</b> |

|          |   |           |
|----------|---|-----------|
| <b>B</b> |  | 7x35      |
|          |   | <b>x6</b> |





|          |   |           |
|----------|---|-----------|
| <b>C</b> |  | 8x30      |
|          |   | <b>x5</b> |

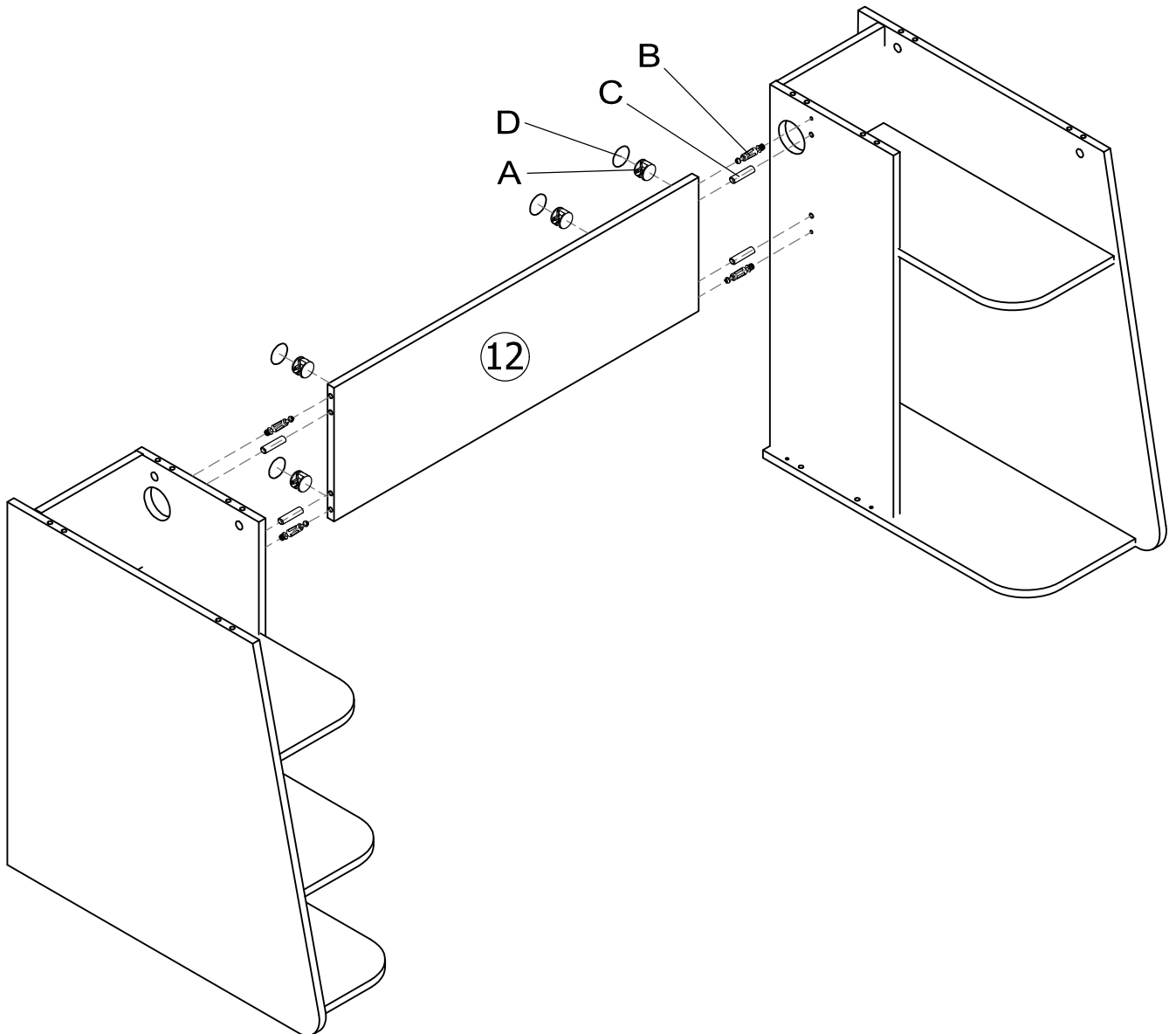


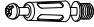
|  |  |
|--|--|
| E<br><br>x2 | F<br><br>x8 |
|--|--|




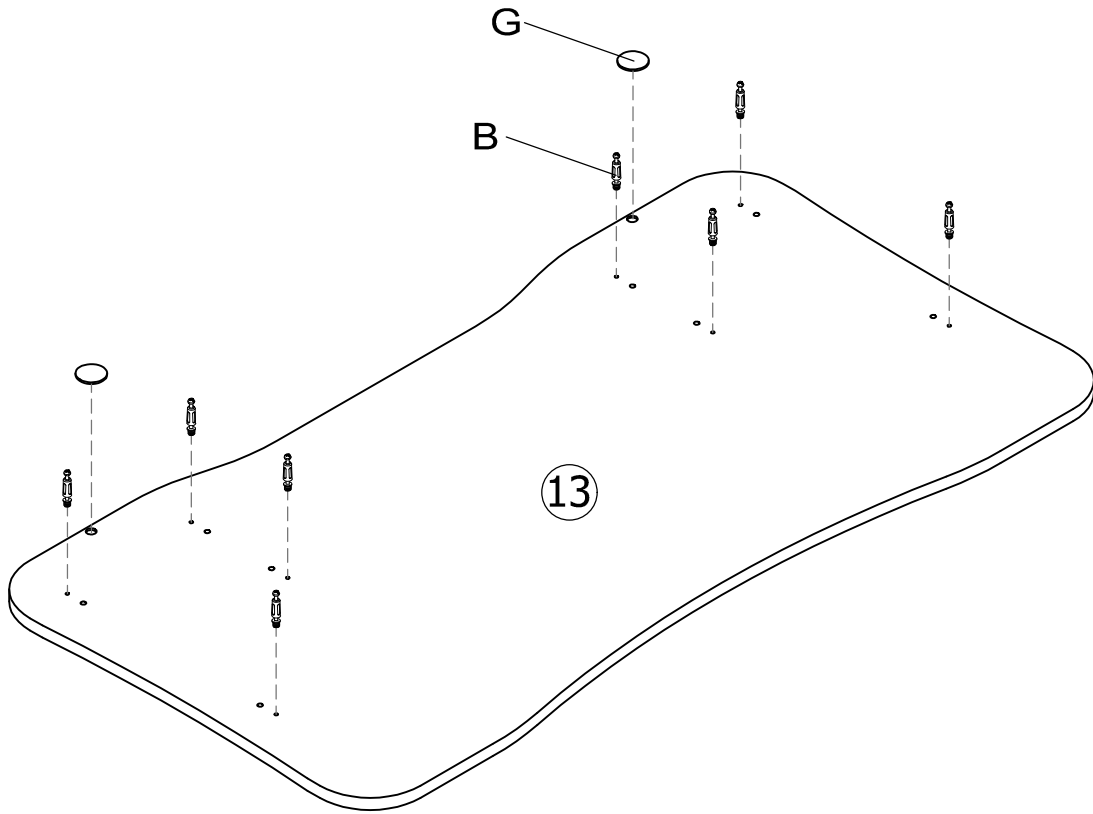



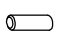

|          |   |           |          |   |           |          |   |           |
|----------|---|-----------|----------|---|-----------|----------|---|-----------|
| <b>A</b> |  | 15x12     | <b>B</b> |  | 7x35      | <b>C</b> |  | 8x30      |
|          |   | <b>x4</b> |          |   | <b>x4</b> |          |   | <b>x4</b> |
| <b>D</b> |  | Ø20       |          |   |           |          |   |           |
|          |   | <b>x4</b> |          |   |           |          |   |           |

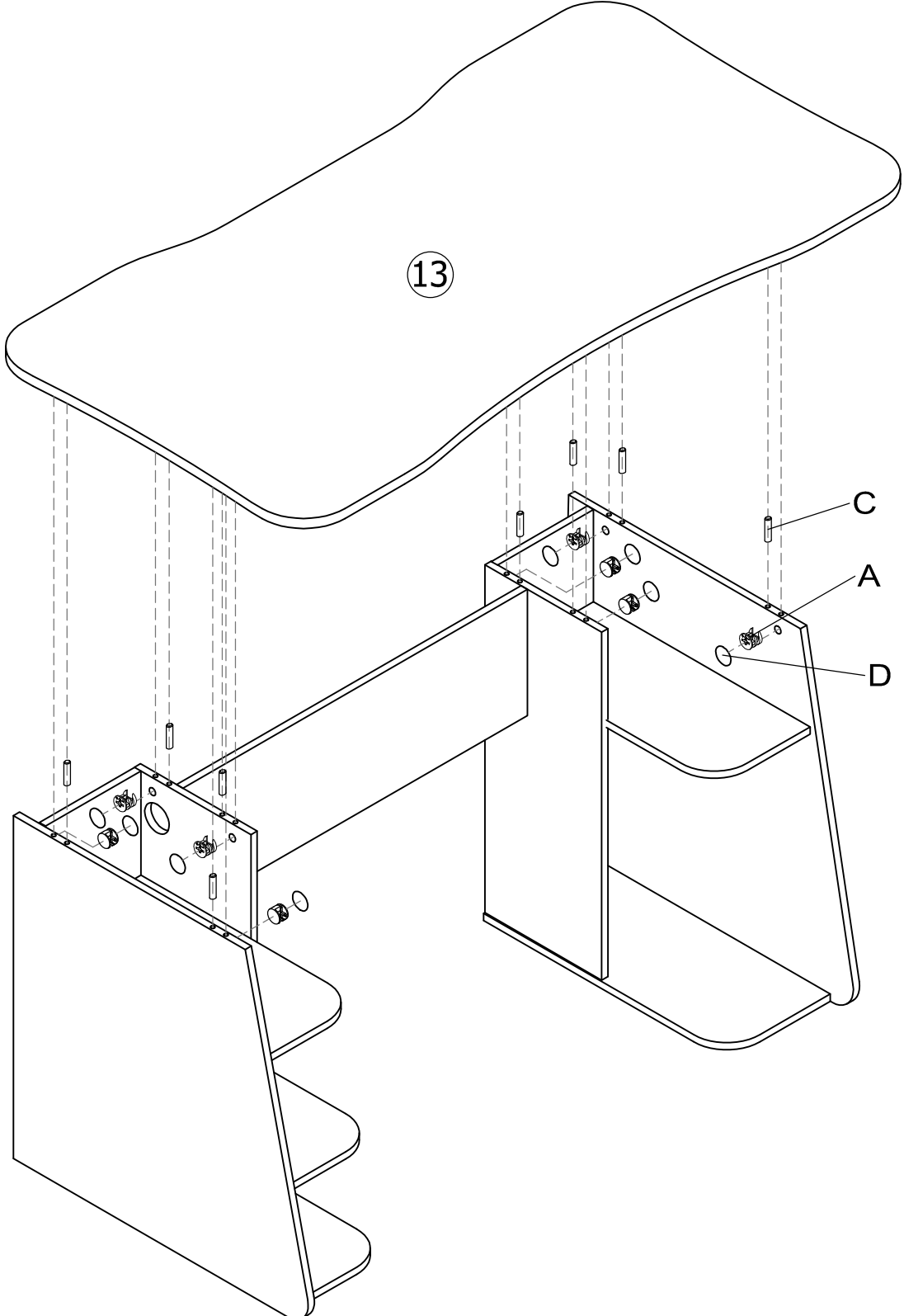


|   |      |
|---|------|
| <b>B</b>  | 7x35 |
|  |      |
| <b>x8</b>   |      |



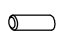



|   |      |
|---|------|
| <b>G</b>  | 15x2 |
|  |      |
| <b>x2</b>   |      |

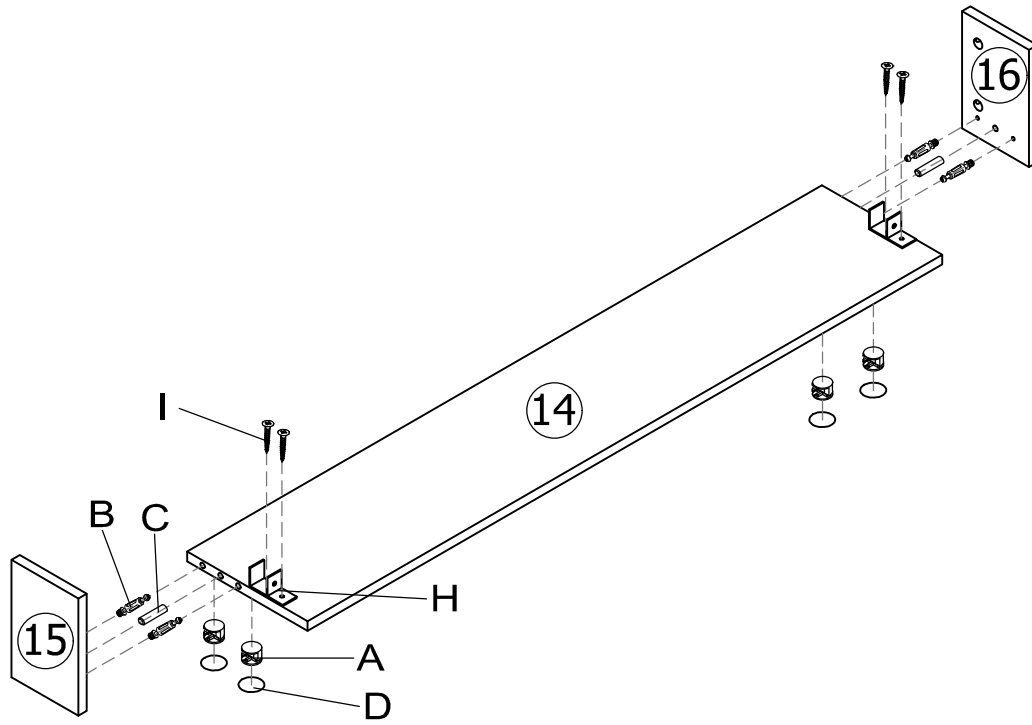


|          |   |          |  |          |   |
|----------|---|----------|--|----------|---|
| <b>A</b> |  15x12 | <b>C</b> |  8x30 | <b>D</b> |  Ø20 |
|          | <b>x8</b>   |          | <b>x8</b>  |          | <b>x8</b>   |



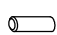



11

|   |  |  |
|---|--|--|
| <b>A</b><br><br>15x12<br><b>x4</b> | <b>B</b><br><br>7x35<br><b>x4</b> | <b>C</b><br><br>8x30<br><b>x2</b>   |
| <b>D</b><br><br>Ø20<br><b>x4</b>   | <b>H</b><br><br><b>x2</b>         | <b>I</b><br><br>3.5x14<br><b>x4</b> |



12

|   |  |  |
|---|--|--|
| <b>A</b><br><br>15x12<br><b>x8</b> | <b>B</b><br><br>7x35<br><b>x8</b> | <b>C</b><br><br>8x30<br><b>x8</b> |
| <b>D</b><br><br>Ø20<br><b>x8</b>   |  |  |

