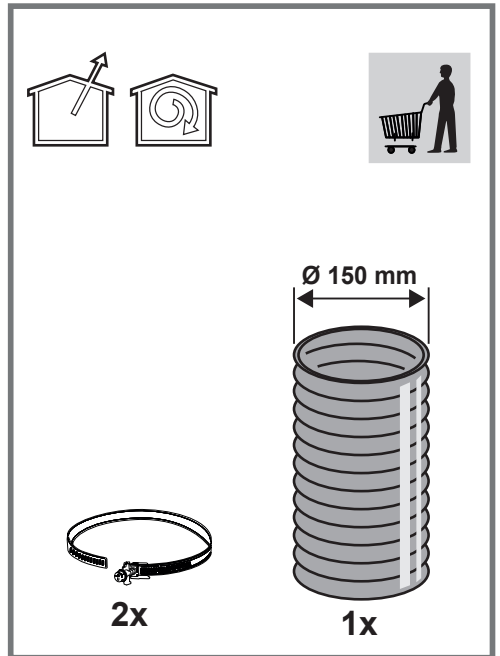
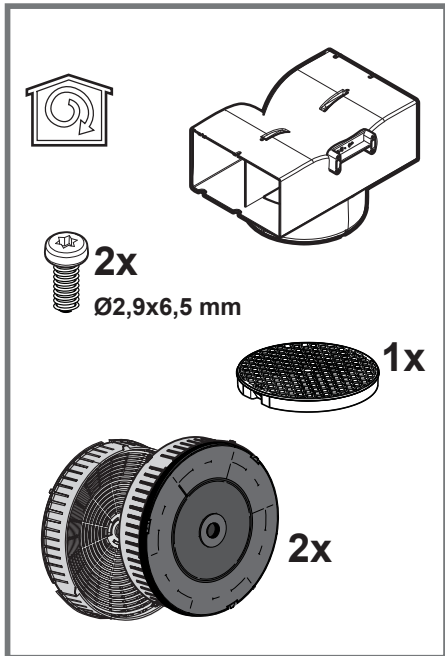
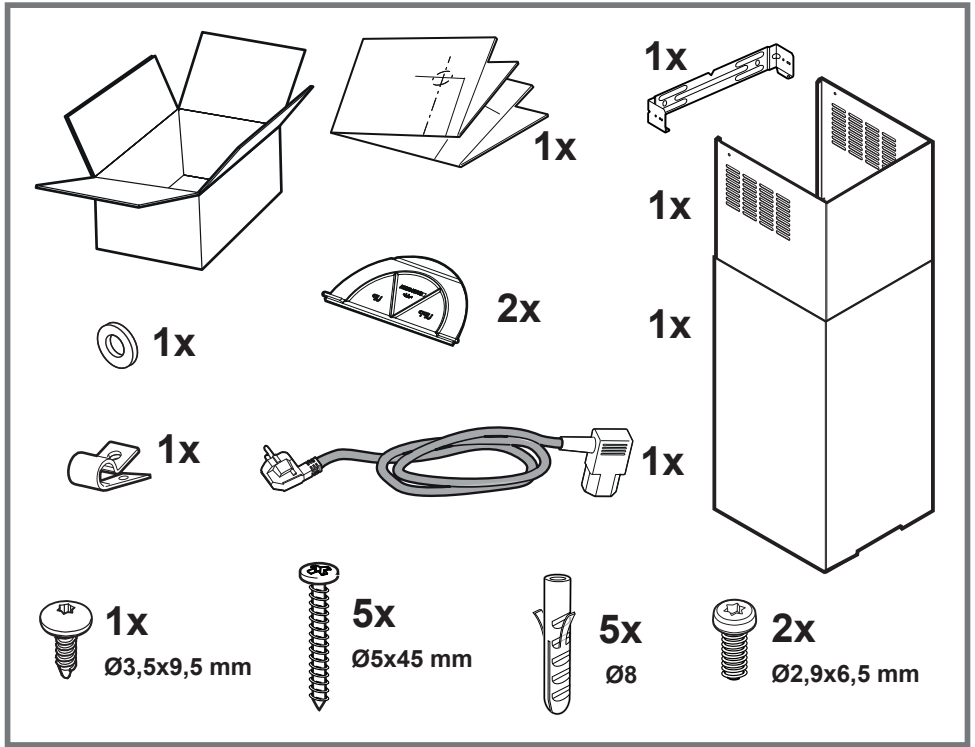
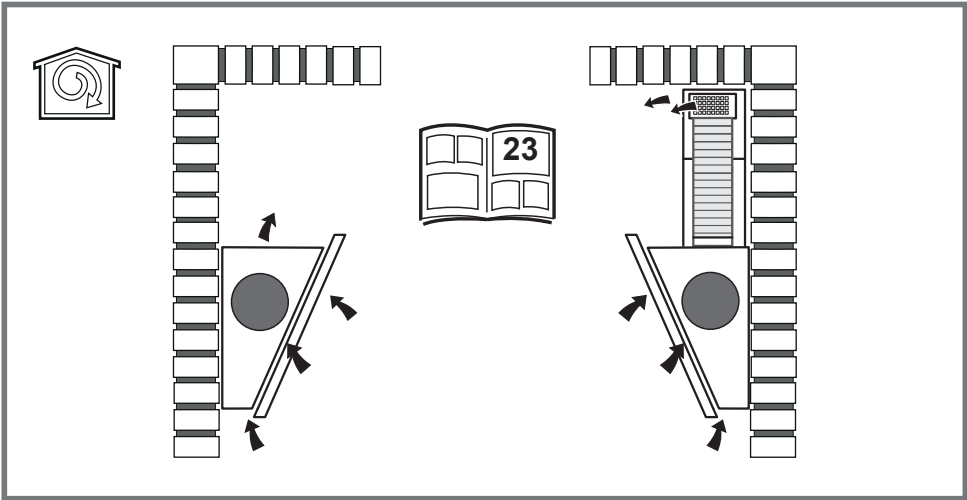
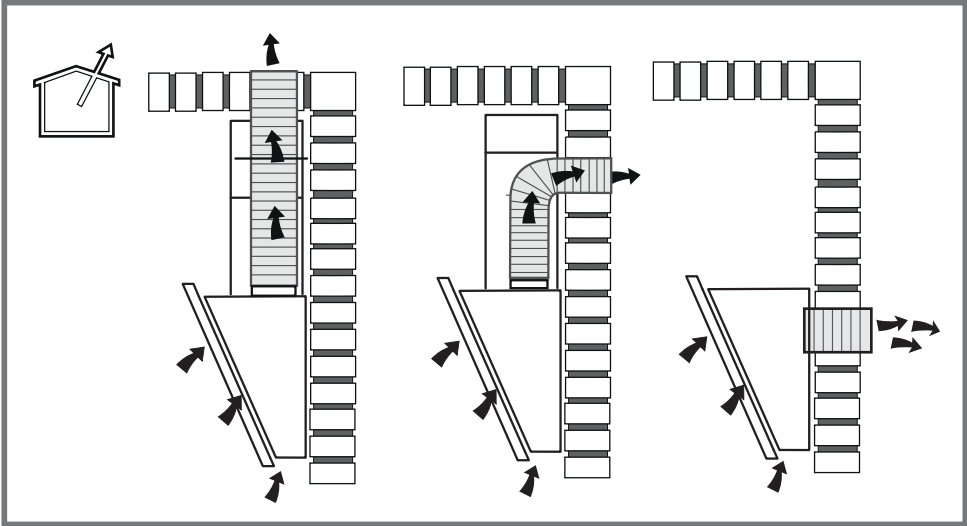
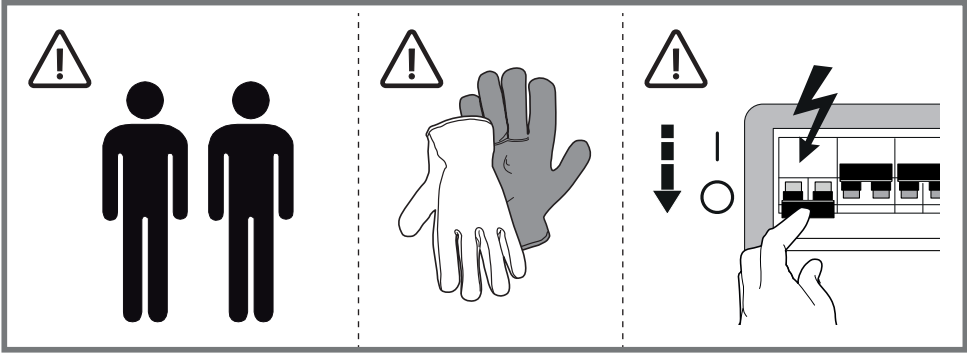
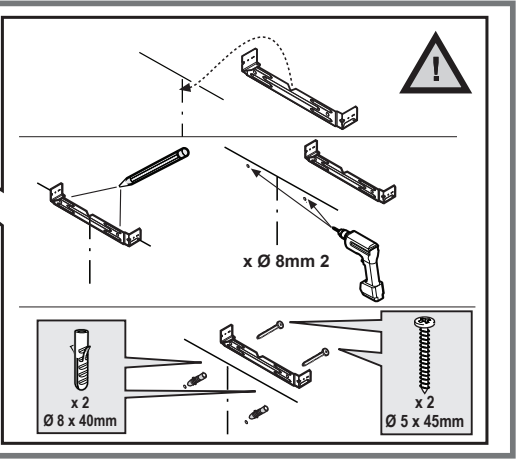
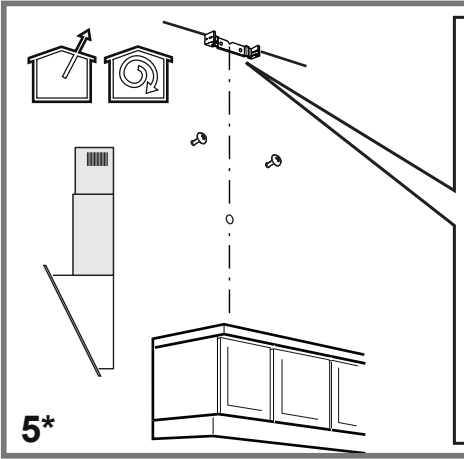
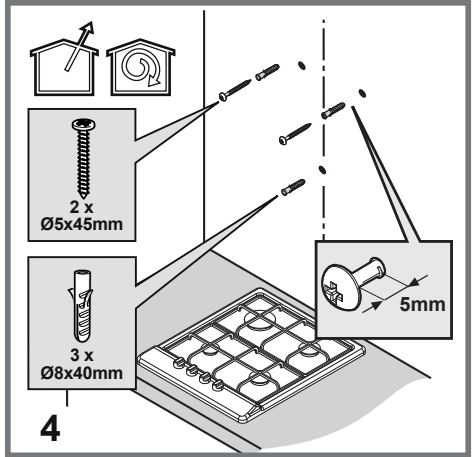
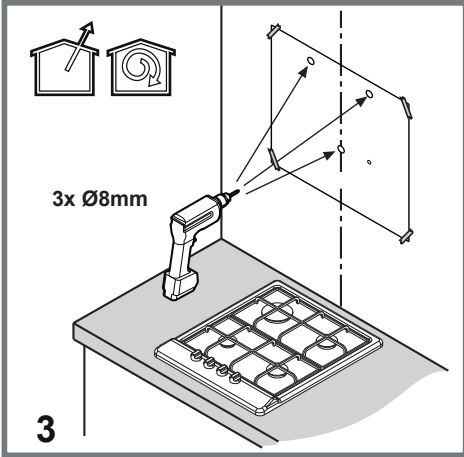
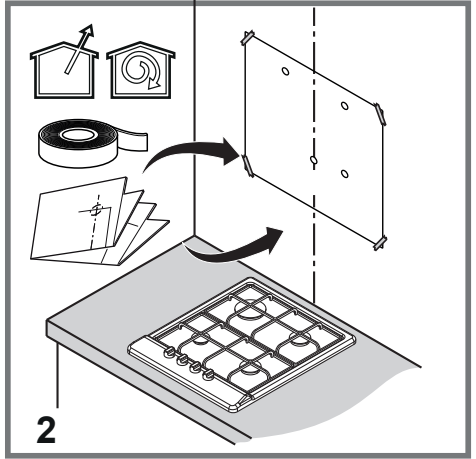
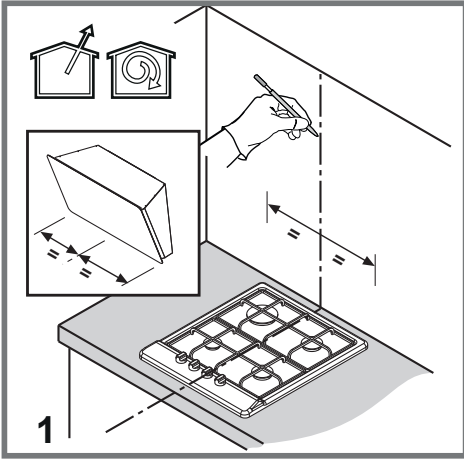


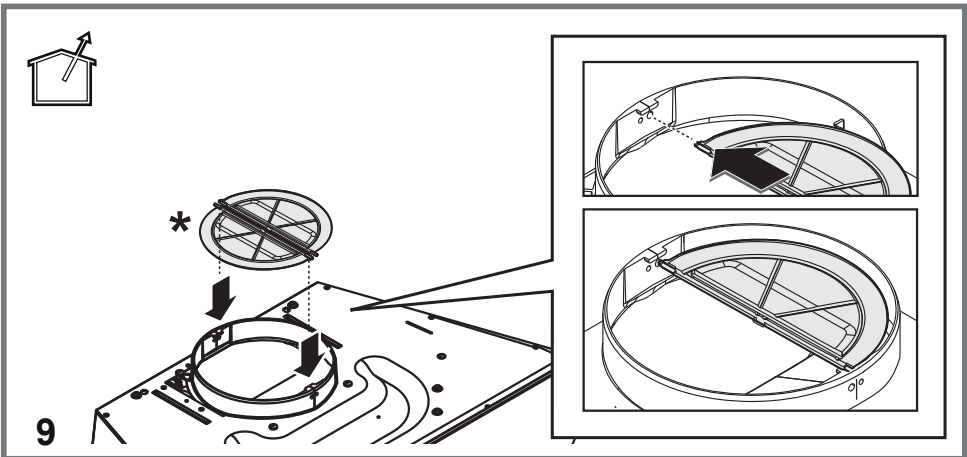
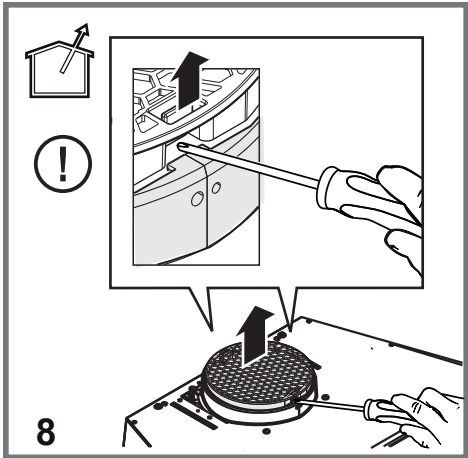
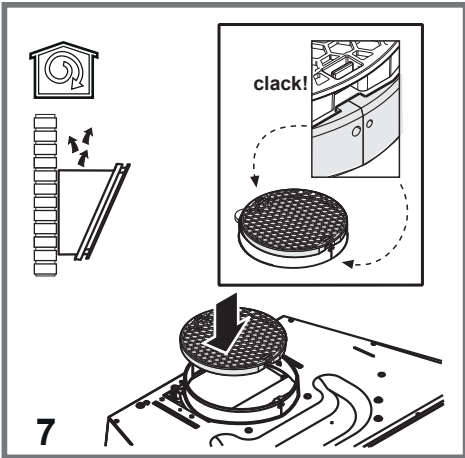
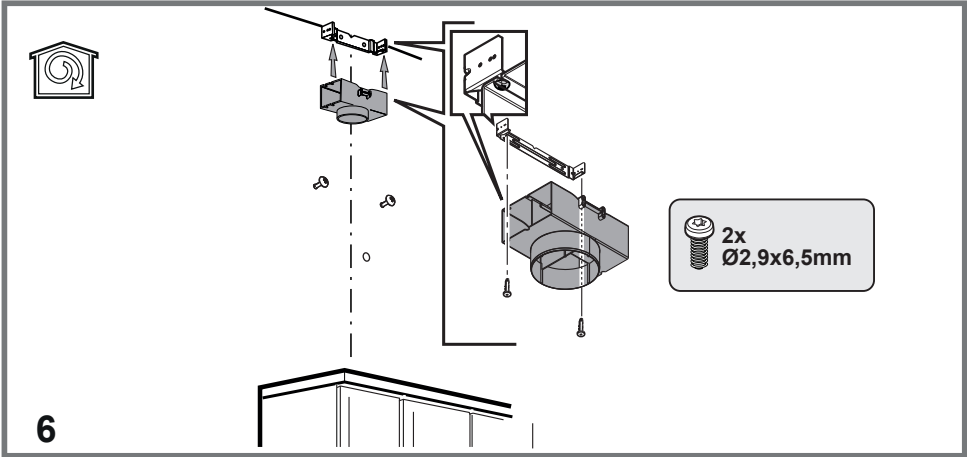
EN Instruction for use
FR Mode d'emploi
DE Betriebsanleitung
IT Istruzioni per l'uso
NL Gebruiksaanwijzingen

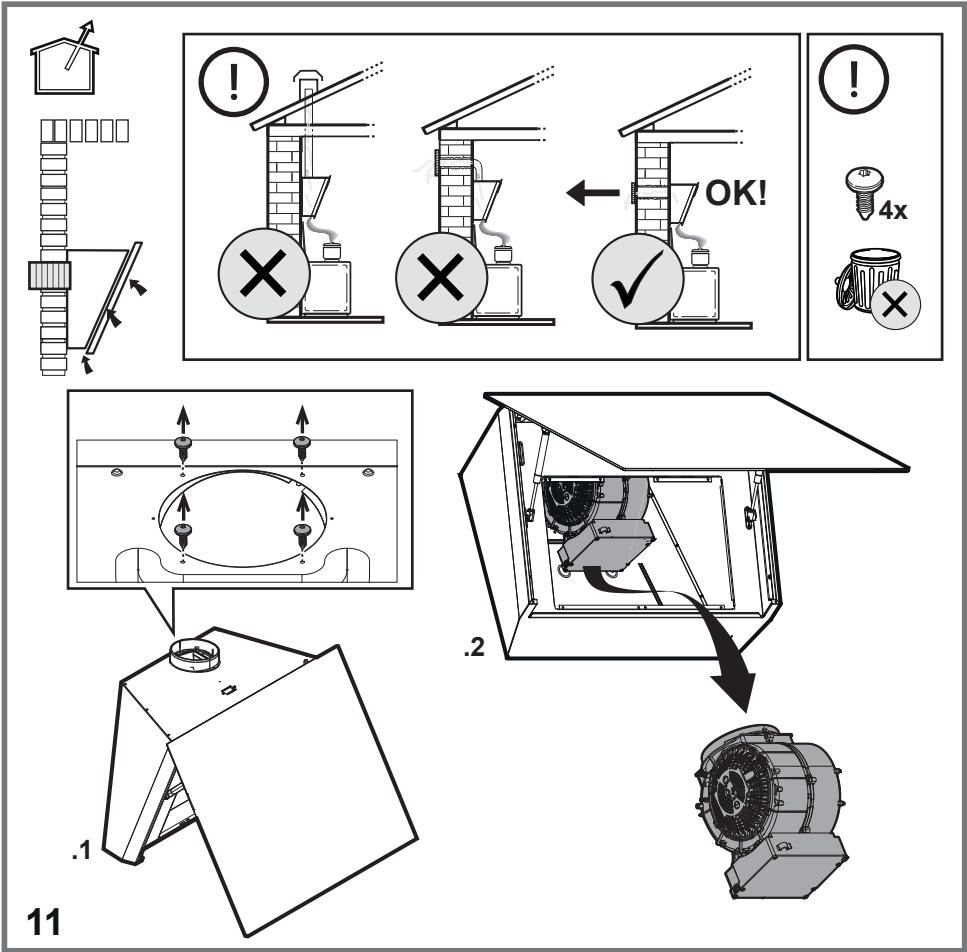
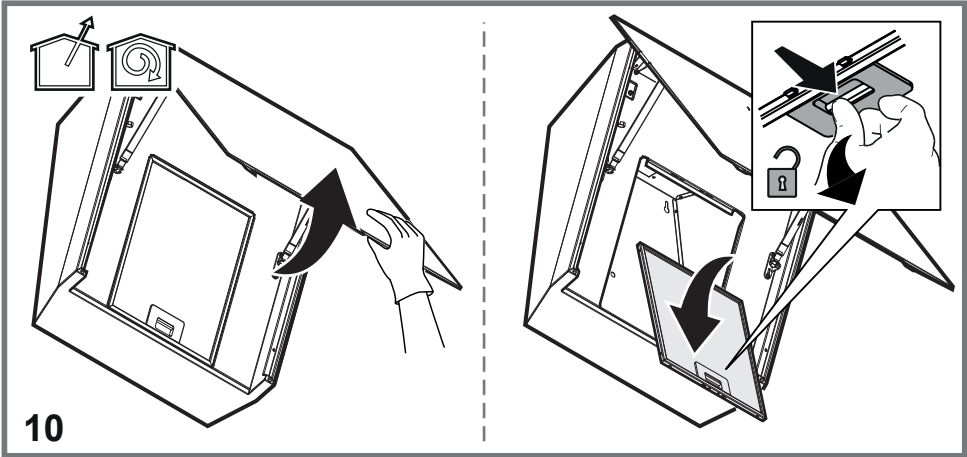
 ***Bauknecht***

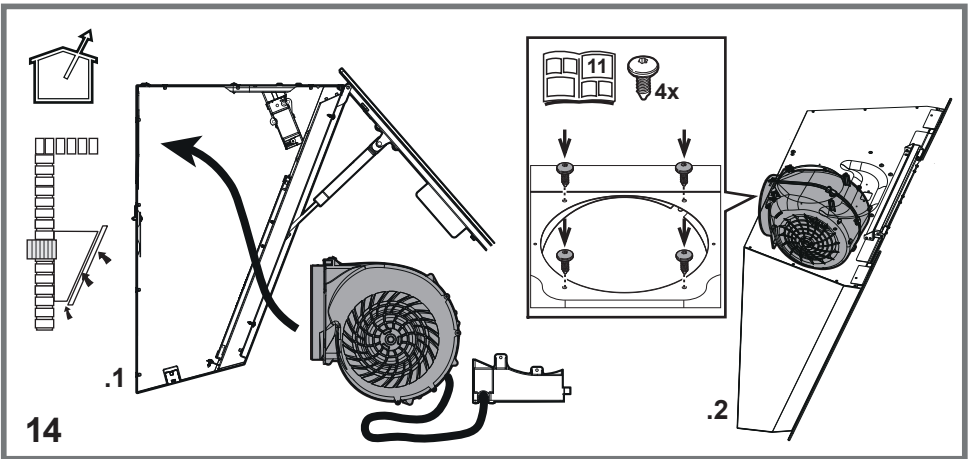
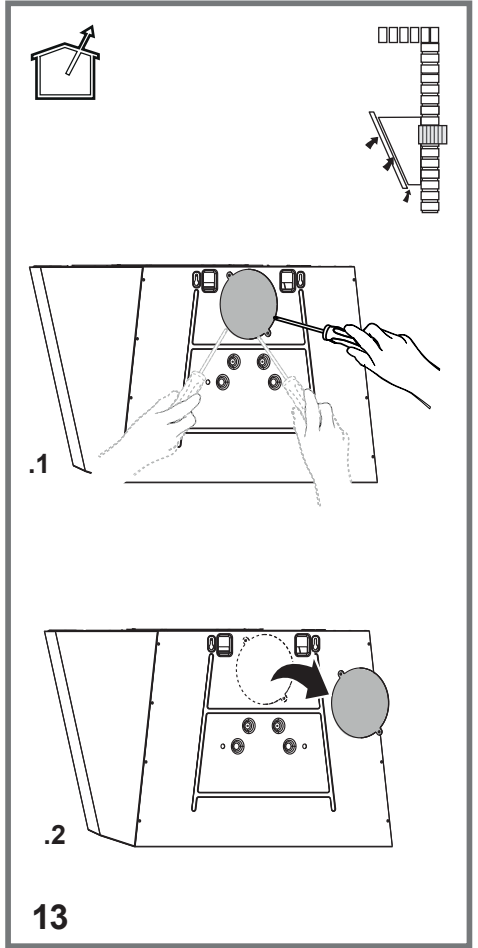
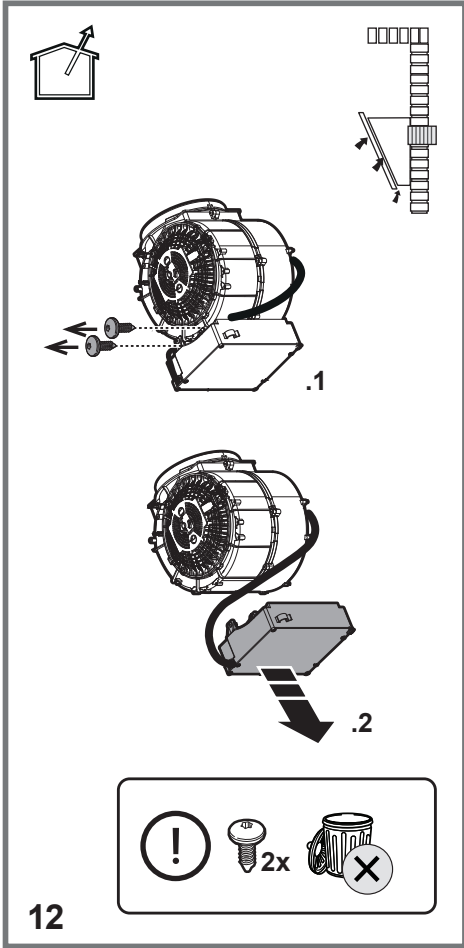


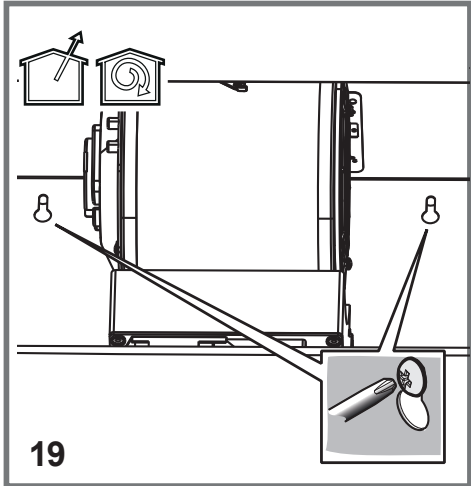
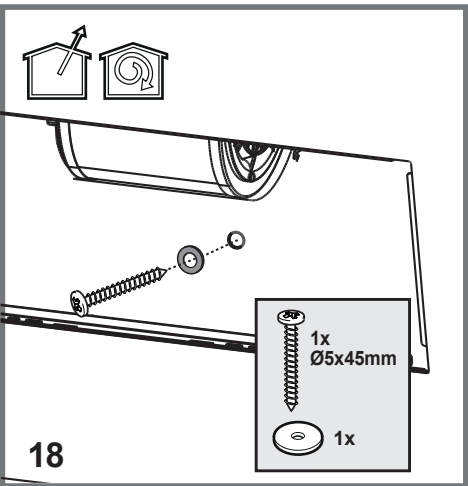
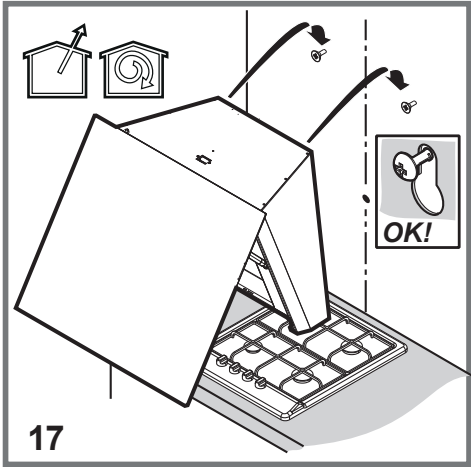
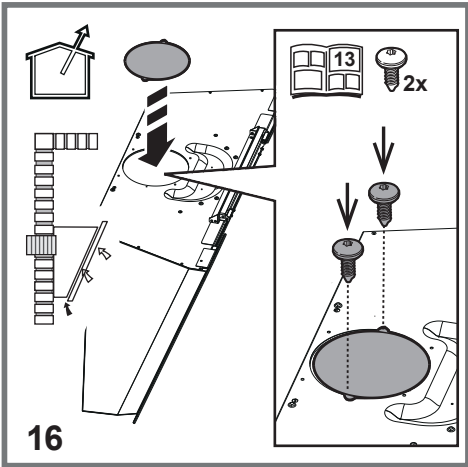
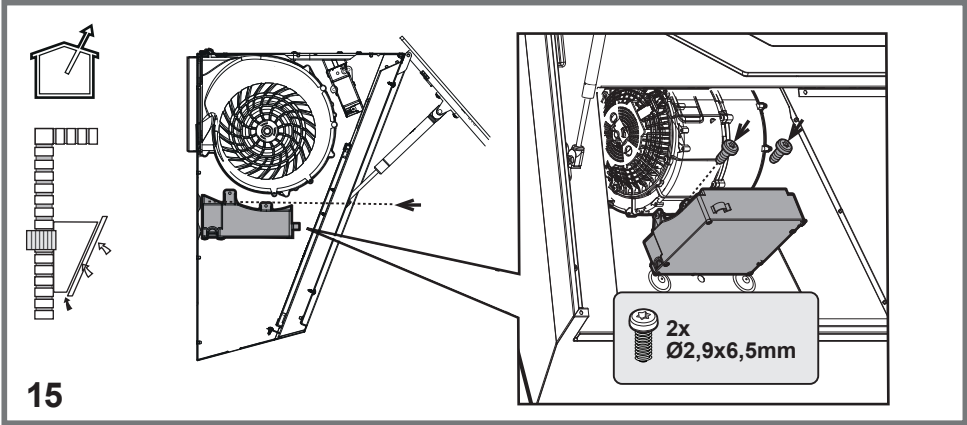


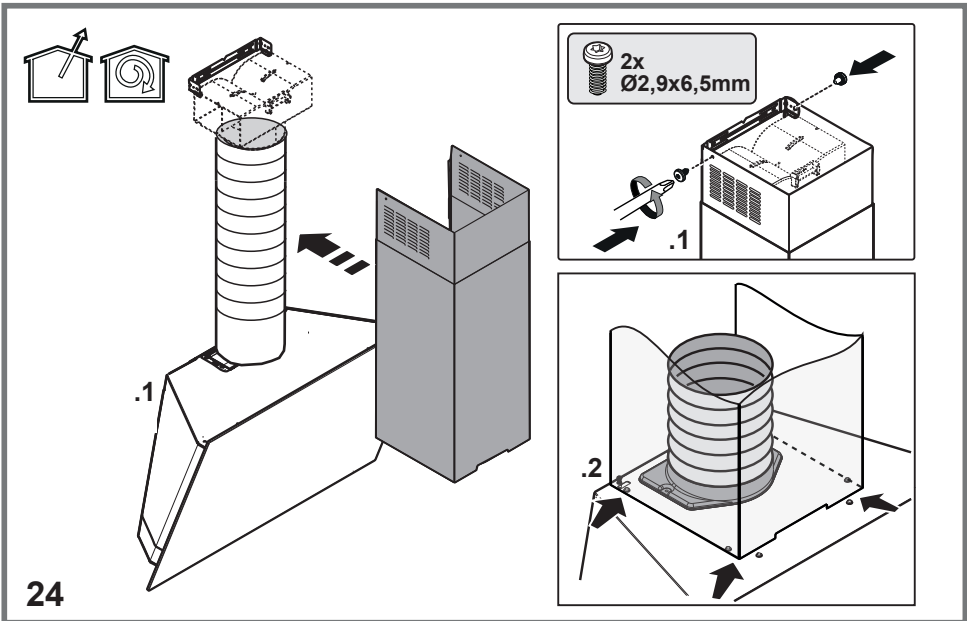
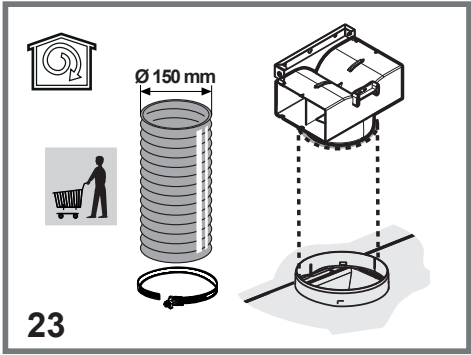
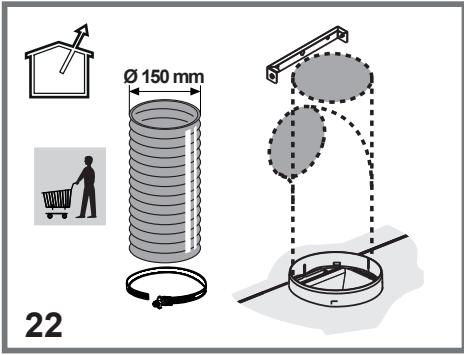
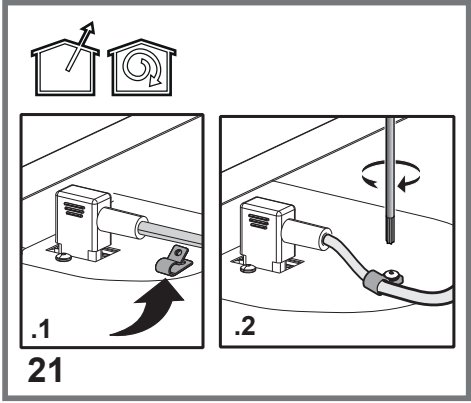
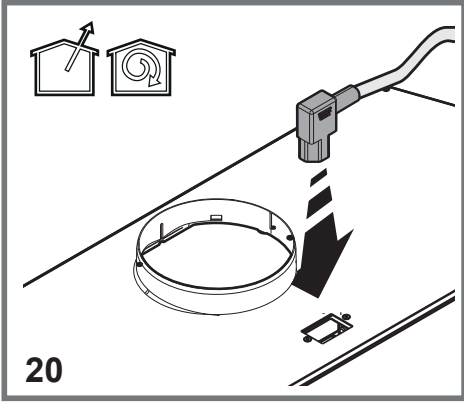


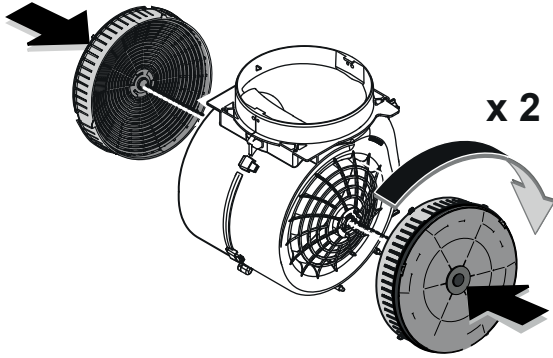




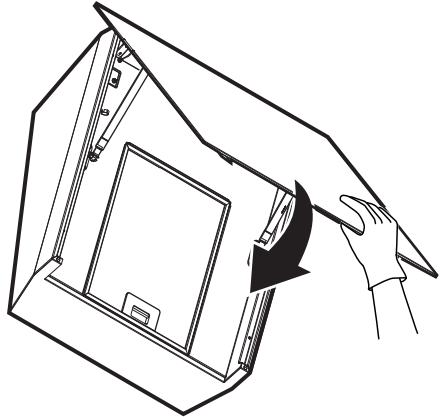
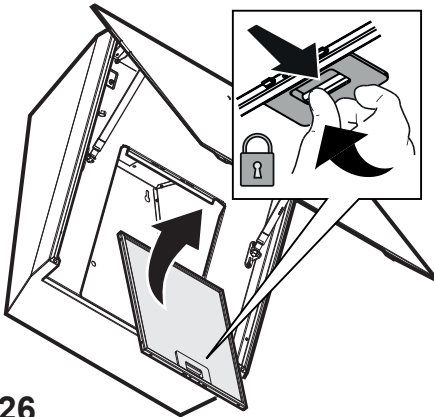








25



26

GENERAL SAFETY

• Do not make electrical or mechanical changes on the product or on the exhaust pipes. • Before doing any cleaning or maintenance work, disconnect the product from the mains power supply by removing the plug or turning off the mains switch. • For all installation and maintenance operations, always wear work gloves. • The product can be used by children over the age of 8 and by people with reduced physical, sensory or mental capabilities or without experience or the necessary knowledge, as long as they are properly supervised or have been instructed on how to safely use the device and understand the inherent dangers. • Children must be supervised to make sure that they do not play with the product. • Cleaning and maintenance must never be performed by children unless they are properly supervised. • The room must have sufficient ventilation when the product is used at the same time as other appliances burning gas or other fuels. • The product must be cleaned frequently both inside and out (AT LEAST ONCE A MONTH); always follow the instructions given in the maintenance manual. • Failure to comply with the rules indicated for cleaning the product and replacing/cleaning the filters may result in the risk of fire. • It is strictly forbidden to cook food on the flame under the product. • **WARNING:** • When the hob is on, the accessible parts of the product may become hot. • Do not connect the product to the electrical power supply until the installation is complete. • The regulations laid down by local authorities must be strictly followed with regard to the technical and safety measures to adopt for fume extraction. • The extracted air must not be conveyed through the same ducts used to extract the fumes generated by gas combustion or other types of combustion products. • Do not use or leave the product without appropriately installed lamps, as this may result in the risk of electric shock. • The product must NEVER be used without the grille correctly fitted. • The product must NEVER be used as a support surface unless expressly indicated.

• Range hoods and other cooking fume extractors may adversely affect the safe operation of appliances burning gas or other fuels (including those in other rooms) due to back flow of combustion gases. These gases can potentially result in carbon monoxide poisoning. After installation of a range hood or other cooking fume extractor, the operation of flued gas appliances should be tested by a competent person to ensure that back flow of combustion gases does not occur.

• Use only the fastening screws supplied with the product for its installation, or if not supplied, purchase the correct type of screws. Use screws of the right length, as indicated in the installation guide.

• **Please note!** Failure to install screws and fasteners in accordance with these instructions may result in electrical hazards.

• To replace the lamp, only use the lamp indicated in the maintenance/lighting system section of this manual. • Using a naked flame may damage the filters and cause a fire hazard, and must therefore be avoided under all circumstances. • Extra care must be taken when frying to prevent the oil from overheating and catching fire. • In case of

doubt, contact the authorised service centre or similar qualified personnel.

Please note! Do not use with a programmer, timer, separate remote control or any other device that activates automatically.

- The minimum distance between the container support surface on the cooker and the lower part of the hood must be at least equal to 45 cm (not less than only for Australia and New Zealand) in case of electric cookers and to 60 cm in case of gas or mixed cookers.

If the installation instructions of the gas cooker specify a greater distance, take it into account.

Keep children under the age of 3 away from the appliance. Without the constant supervision of an adult, keep the appliance out of the reach of children under the age of 8.

⚠ ATTENTION: the appliance is not designed to be operated using an external device or a separate remote control system.

⚠ This appliance is not intended for professional use. Do not use the appliance outdoors.

⚠ To avoid the risk of personal injury, the appliance must be handled and installed by two or more people.

⚠ Installation operations, including any water supply connections (if any) and the electrical connections, and repairs must be carried out by qualified personnel.

When installation is complete, keep the packaging material (plastic parts, polystyrene, etc.) out of the reach of children to avoid the risk of suffocation.

Do not use the appliance when barefoot or wet.

Never use steam cleaning appliances - risk of electric shock.

Strictly observe the instructions in this manual. All liability is declined for any problems, damage or fires caused by failure to comply with the instructions in this manual. The device is intended for domestic use only, to cook food and extract the fumes generated by cooking. No other use is allowed (e.g. heating rooms). The manufacturer declines any liability for inappropriate use or incorrect control settings.

- Read the instructions carefully: they contain important information on installation, operation and safety.

- Do not make electrical changes to the device.

- Before installing the device, make sure that none of the components are damaged. Otherwise, contact the dealer and do not continue with the installation.

- It is important to keep all the manuals accompanying the product so that they can be consulted at all times. If sold, transferred or moved, make sure it remains with the product.

The device may have different aesthetic features with respect to the illustrations in this handbook, however the operating, maintenance and installation instructions remain the same.

ELECTRICAL CONNECTION

The mains voltage must correspond to the voltage indicated on the rating plate located inside the hood. If equipped with a plug, connect the hood to a wall socket that complies with current standards located in an area that can be accessed even

after installation. If it does not feature a plug (direct connection to the mains) or the plug is not located in an accessible area, even after installation, apply a standard double pole switch that ensures complete disconnection from the mains in category III overvoltage conditions, in accordance with the installation rules.

● **Please note!** Before reconnecting the circuit to the mains power supply and making sure that it is working correctly, always check that the power cable is correctly installed.

Do not use extension cords, power strips or adapters.

If the cable is not fitted with a plug, connect the wires according to the following table:

Mains voltage and frequency

Refer to the value indicated on the rating plate inside the hood.

Wire connection

⬇: yellow/green

N: blue

L: brown

Replacing the power cable

The hood features a special power cable; if the cable is damaged, contact the Service Centre for a replacement.

AIR OUTLET

(for suction versions)

Connect the hood to wall-mounted exhaust pipes and holes with a diameter equivalent to the air outlet (connecting flange).

The use of pipes and outlet holes in the wall with a smaller diameter will reduce the extraction performance and drastically increase the noise level.

All responsibility in this regard is therefore denied.

! Use a ducting pipe with the shortest length necessary.

! Use a ducting pipe with the least number of bends possible (maximum bend angle: 90°).

! Avoid drastic changes in the ducting pipe diameter.

! The company shall not be held responsible if these regulations are not complied with.

FILTRATION OR SUCTION?

! Your hood is read to be used in the suction version.

To use the hood in the filtration version, the special ACCESSORY KIT must be installed.

Check, on the first pages of this manual, whether the ACCESSORY KIT is already supplied or needs to be purchased separately.

Note: If supplied, in some cases, the additional activated carbon filtering system may already be installed on the hood.

Information on how to convert the hood from the suction version to the filtration version is already contained in this manual.

Extraction version

Vapours are evacuated outside through an exhaust pipe attached to the connecting flange.

ATTENTION

The evacuation pipe is not supplied and must be purchased.

The diameter of the exhaust pipe must be equivalent to the diameter of the connecting ring.

If the hood features one or more carbon filters, they must be removed.

Filtration version

The suctioned air will be degreased and deodorised before it is sent back into the room. To use the hood in this version, it is necessary to install an additional activated carbon filter system.

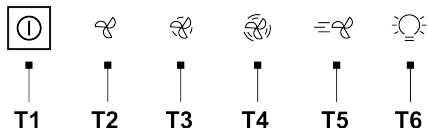
DropProtect:

An innovative nano coating treatment that effectively prevents drops from falling from hood's glass surface over your cooktop, thus ensuring a drip-free cooking experience*.

*based on Whirlpool internal testing considering ordinary conditions of cooking.

CONTROLS

The hood is equipped with a control panel with a suction speed control and a light control to light up the hob.



T1= Motor OFF Key - stand by – reset wash/replace filters signal – disables selection keys

MOTOR OFF

Press briefly to switch the motor off.

RESET FILTERS SIGNALS

After having carried out maintenance of the filters, press the key for 3 seconds. Flashing led T2 (fats filter) or T3 (carbon filter) will stop flashing.

DISABLING CONTROLS

Pressing the key for 3 seconds the speed selection keys will be disabled.

This function can be useful during the product cleaning operations to avoid operating the hood accidentally.

Press again for 3 seconds to enable again.

T2= Low-speed selection key (suction power) – when flashing it indicates the need to wash the grease filter.

T3= Medium-speed selection key (suction power) - when flashing it indicates the need to wash or replace the carbon filter. This signal is normally deactivated. To activate the alarm, disabling controls, key T1, press keys T2 and T3 at the same time to activate it.

At first only key T2 will flash and then both keys T2 and T3 to indicate activation. Repeat the operation to deactivate the signal. At first keys T2 and T3 will flash and then only key T2 to indicate deactivation.

T4= High-speed selection key (suction power).

T5= Intensive speed selection key (suction power) - duration 5 minutes - press again to return to previous setting.

T6= Light key ON/OFF.

If the hood fails to operate correctly, briefly disconnect it from the mains power supply for almost 5 sec. by pulling out the plug. Then plug it in again and try once more before contacting the Technical Assistance Service.

MAINTENANCE

- **Cleaning:** For cleaning, simply use a cloth moistened with neutral liquid detergents. Do not use cleaning tools or instruments.

- **✂A Anti-Grease Filter:** It must be cleaned once a month (or when the filter saturation indication system - if any - indicates the need for it), with non-aggressive detergents, either by hand or in a dishwasher at a low temperature and on a short cycle.

When cleaned in the dishwasher, the metal grease filter may discolour, but its filtering characteristics remain unchanged.

To remove the anti-grease filter, pull the spring release handle.

- **✂B Carbon filter (for filter version only):** The cartridge must be replaced at least every four months. It CANNOT be washed or regenerated. As indicated in the drawings section: remove the anti-grease filters, apply a carbon filter on each side and attach it to the product. Put the anti-grease filters back in place.

- The carbon filter retains any unpleasant odours produced during cooking.
- The saturation of the carbon filter can occur after somewhat prolonged use depending on the type of cooking and how regularly the grease filter is cleaned.

Illumination

- The lighting system is based on LED technology. LEDs provide optimal illumination, last up to 10 times longer than conventional lamps and save 90% of electricity.

- **Lighting system :** The lighting system cannot be replaced by the user, contact Customer Service in case of malfunction.

END-OF-LIFE DISPOSAL



This device is marked in compliance with the European Directive 2012/19/EC - UK SI 2013 No.3113, Waste Electrical and Electronic Equipment (WEEE).

Make sure that this product is disposed of correctly. The user helps prevent potential negative consequences for the environment and for health. The symbol on the product or accompanying documentation indicates that this product should not be treated as household waste but should be handed over at a suitable collection point for the recycling of electrical and electronic equipment. Dispose of it in accordance with local regulations for waste disposal. For further information about the treatment, recovery and recycling of this product, please contact your local authority, the collection service for household waste or the shop from where the product was purchased.



The packaging material is 100% recyclable and is marked by the recycling symbol

REGULATIONS

Equipment designed, tested and manufactured in compliance with safety regulations: EN/IEC 60335-1; EN/IEC 60335-2-31, EN/IEC 62233. Performance: EN/IEC 61591; ISO 5167-1; ISO 5167-3; ISO 5168; EN/IEC 60704-1; EN/IEC 60704-2-13; EN/IEC 60704-3; ISO 3741; EN 50564; IEC 62301. EMC: EN 55014-1; CISPR 14-1; EN 55014-2; CISPR 14-2; EN/IEC 61000-3-2; EN/IEC 61000-3-3.

RECOMMENDATIONS FOR USE

Recommendations for correct use in order to reduce the impact on the environment: When cooking begins, the device should be turned on at minimum speed, and left on for a few minutes even after cooking is complete. Increase the speed only if there is a large quantity of fumes and steam, using the Booster function only in extreme cases. To keep the odour reduction system running efficiently, replace the carbon filter/s when necessary. To ensure the high performance of the grease filter, clean it when necessary. To improve efficiency and minimise noise, use the maximum duct diameter indicated in this manual.

OPERATING ERRORS

If something does not seem to be working, perform the following simple checks before contacting the Service Centre:

- If the hood is not working:

Check that:

- There is no power failure
- A speed has been selected

- If the hood has poor performance:

Check that:



- The selected motor speed is sufficient for the amount of fumes and steam released.
- The kitchen is sufficiently ventilated to allow an air intake.
- The carbon filter is not worn out (hood in filtration version).
 - If the hood has switched off during normal operation:

Check that:

- There is no power failure.
- The safety cut-off device has not tripped.

In the event of any malfunctions, disconnect the appliance from the electrical power supply for at least 5 seconds by unplugging it and then reconnect it, before contacting the Service Centre. If the malfunction persists, contact the Service Centre.

TECHNICAL SPECIFICATIONS

Height (cm)	Width (cm)	Depth (cm)	Φ of the exhaust pipe (cm)
 104.5-147.5	60-90	36.8	15
 104.5-147.5			

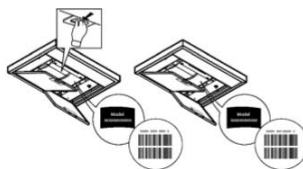


Components not supplied with product



To download the safety instructions, user manual, technical data sheet and energy data:

- Visit the website docs.bauknecht.eu
- Use the QR code
- Alternatively, **contact Customer Service** (using the phone number indicated on the warranty booklet). When contacting Customer Service, communicate the codes on the product rating plate.



SÉCURITÉ GÉNÉRALE

• Ne pas effectuer de variations électriques ou mécaniques sur le produit ou sur les conduits d'évacuation. • Avant toute opération de nettoyage ou d'entretien, débrancher le produit du secteur électrique en enlevant la fiche ou à travers le disjoncteur général du logement. • Utiliser des gants de travail pour toutes les opérations d'installation et d'entretien. • Le produit peut être utilisé par des enfants âgés d'au moins 8 ans et par des personnes ayant des capacités physiques, sensorielles ou mentales réduites ou sans expérience ou sans les connaissances nécessaires, à condition qu'ils soient surveillés ou après que ces personnes aient reçu des instructions relatives à l'usage sûr de l'appareil et à la compréhension des dangers afférents. • Les enfants doivent être contrôlés afin qu'ils ne jouent pas avec le produit. • Le nettoyage et l'entretien ne doivent pas être effectués par des enfants sans surveillance. • Le local doit disposer d'une ventilation suffisante lorsque le produit est utilisé en même temps que d'autres appareils à combustion de gaz ou autres combustibles. • Le produit doit être fréquemment nettoyé, à l'intérieur comme à l'extérieur (AU MOINS UNE FOIS PAR MOIS) ; respecter dans tous les cas les indications présentes dans les instructions d'entretien. • Le non-respect des normes de nettoyage du produit et du remplacement/nettoyage des filtres comporte des risques d'incendie. • Il est strictement interdit de faire flamber des aliments sous le produit. • ATTENTION : Lorsque la plaque de cuisson est en marche, les parties accessibles du produit peuvent devenir chaudes. • Ne pas brancher le produit au secteur électrique tant que l'installation n'est pas totalement terminée. • Concernant les mesures techniques et de sécurité à prendre pour l'évacuation des fumées, respecter scrupuleusement les réglementations établies par les autorités locales compétentes. • L'air aspiré ne doit pas être conduit vers le tube destiné à l'évacuation des fumées des appareils à combustion à gaz ou autres combustibles. • Ne pas utiliser ni laisser le produit sans que les ampoules ne soient correctement montées en raison du risque possible de décharge électrique. • Le produit ne doit JAMAIS être utilisé sans la grille correctement montée. • Le produit ne doit JAMAIS être utilisé comme plan à moins que cela ne soit explicitement indiqué.

• Utiliser uniquement les vis de fixation fournies avec le produit pour l'installation ou, si elles ne sont pas fournies, acheter le type de vis correct. Utiliser la longueur correcte pour les vis qui sont identifiées dans le Guide d'installation.

● **Attention** ! La non-installation de vis et fixations conformément à ces instructions peut comporter des risques électriques.

• Pour le remplacement de la lampe, utiliser uniquement le type de lampe indiqué dans la section maintenance/système d'éclairage de ce manuel. • L'utilisation d'une flamme nue peut endommager les filtres et provoquer des incendies et doit donc être évitée. • La friture doit être surveillée afin d'éviter que l'huile ne prenne feu. • En cas de doute, consulter le centre de service agréé ou un personnel

qualifié similaire.

Attention ! Ne pas utiliser avec un programmateur, une minuterie, une télécommande séparée ou tout autre appareil qui s'active automatiquement.

• La distance minimale entre la surface de support des récipients sur le dispositif de cuisson et la partie la plus basse de la hotte ne doit pas être inférieure à 45 cm en cas de cuisinières électriques et de 60 cm en cas de cuisinières à gaz ou mixtes.

Si les instructions d'installation du dispositif de cuisson à gaz spécifient une distance plus importante, il faut en tenir compte.

Les enfants de moins de 3 ans ne doivent pas s'approcher de l'appareil. Sans la surveillance constante d'un adulte, garder l'appareil hors de la portée des enfants de moins de 8 ans.

⚠ ATTENTION : l'appareil n'est pas destiné à être mis en marche à l'aide d'un dispositif externe ou d'un système de commande à distance séparé.

⚠ Cet appareil n'est pas destiné à un usage professionnel. Ne pas utiliser l'appareil à l'extérieur.

⚠ Pour éviter le risque de blessures, l'appareil doit être déplacé et installé par minimum deux personnes.

⚠ L'installation, incluant les raccords pour l'alimentation en eau (s'ils sont prévus) et les branchements électriques, et les interventions de réparation doivent être effectuées par un personnel qualifié.

Après avoir complété l'installation, conserver le matériel d'emballage (plastique, polystyrène, etc.) hors de la portée des enfants pour éviter le risque d'étouffement.

Ne jamais utiliser l'appareil pieds nus ou mouillés.

Ne jamais utiliser d'appareils de nettoyage à vapeur pour éviter le risque de choc électrique.

Suivre de près les instructions reportées dans ce manuel. Nous déclinons toute responsabilité pour tout problème, dommage ou incendie causé à l'appareil suite au non-respect des instructions reportées dans ce manuel. L'appareil est destiné exclusivement à un usage domestique pour la cuisson des aliments et l'extraction des fumées produites par la cuisson. Aucune autre utilisation n'est autorisée (par ex. chauffage de pièces). Le fabricant décline toute responsabilité en cas d'utilisation inappropriée ou de réglage erroné des commandes.

• Lire attentivement les instructions : elles contiennent des informations importantes sur l'installation, l'utilisation et la sécurité.

• N'effectuer aucune variation électrique sur l'appareil.

• Avant de procéder à l'installation de l'appareil, vérifier qu'aucun composant n'est endommagé. Sinon, contacter le revendeur et ne pas continuer l'installation.

• Il est important de conserver tous les manuels qui accompagnent le produit pour pouvoir les consulter à tout moment. En cas de vente, de cession ou de transfert, s'assurer qu'ils restent avec le produit.

L'appareil peut avoir un aspect différent par rapport au dessin de cette notice mais les instructions pour l'utilisation, l'entretien et l'installation restent les mêmes.

BRANCHEMENT ÉLECTRIQUE

La tension d'alimentation doit correspondre à la tension indiquée sur l'étiquette des caractéristiques située à l'intérieur de la hotte. Si elle est dotée d'une fiche, brancher la hotte à une prise conforme aux normes en vigueur située dans une zone accessible même après l'installation. Si elle n'est pas dotée de fiche (raccordement direct au secteur) ou si la fiche n'est pas placée dans un endroit accessible même après l'installation, appliquer un interrupteur bipolaire conforme qui assure la déconnexion complète du secteur dans les conditions de la catégorie de surtension III, conformément aux règles d'installation.

● **Attention !** Avant de rebrancher le circuit au secteur électrique et d'en vérifier le fonctionnement correct, toujours contrôler que le câble ait été correctement monté.

Ne pas utiliser de rallonges, de prises multiples ou d'adaptateurs.

Si le câble n'est pas doté de fiche, brancher les fils en respectant le tableau suivant :

Tension et fréquence du secteur électrique

Se référer à la valeur indiquée sur l'étiquette des caractéristiques à l'intérieur de la hotte.

Branchement des fils

⏚ : jaune/vert

N : bleu

L : marron

Remplacement du câble d'alimentation

La hotte est dotée d'un câble d'alimentation spécial ; en cas d'endommagement, le demander au service d'assistance technique.

ÉVACUATION DE L'AIR

(pour les versions aspirantes)

Brancher la hotte à des tubes et des orifices d'évacuation muraux ayant un diamètre équivalent à la sortie d'air (bride de raccordement).

L'utilisation des tuyaux et des orifices d'évacuation d'un diamètre inférieur diminuera l'efficacité de l'extraction et augmentera considérablement le bruit.

Nous déclinons, dans ce cas, toute responsabilité.

! La longueur du conduit doit être celle strictement indispensable.

! Utiliser un conduit avec le moins de coudes possible (angle maximal du coude : 90°).

! Éviter de changer drastiquement la section du conduit.

! L'entreprise décline toute responsabilité en cas de non-respect de ces consignes.

FILTRANTE OU ASPIRANTE ?

! Votre hotte est prête à être utilisée en version aspirante.

Pour utiliser la hotte en version filtrante, il faut installer le KIT ACCESSOIRE dédié.

Vérifiez dans les premières pages de ce manuel si le KIT ACCESSOIRE est déjà fourni ou s'il doit être acheté à part.

Remarque : S'il est fourni, dans certains cas le système de filtration supplémentaire à base de charbon actif pourrait déjà être installé sur la hotte.

Les informations concernant la transformation de la hotte de version aspirante à version filtrante sont déjà contenues dans ce manuel.

Version aspirante

Les vapeurs sont évacuées vers l'extérieur par un tuyau d'échappement fixé sur la bride de raccord.

 **ATTENTION**

Le tuyau d'évacuation n'est pas fourni et doit être acheté à part.

Le diamètre du tube d'évacuation doit être identique au diamètre de l'anneau de raccordement.

Si la hotte est dotée d'un/de filtre(s) à charbon, il(s) doit/doivent être retiré(s).

Version filtrante

L'air aspiré sera dégraissé et désodorisé avant d'être renvoyé dans la pièce. Pour utiliser la hotte dans cette version, il faut installer un système de filtration supplémentaire à base de charbon actif.

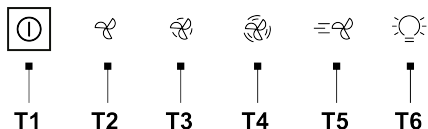
DROP PROTECT

Un traitement de nano-révettement innovant qui empêche efficacement aux gouttes de tomber de la surface en verre de la hotte sur le plan de cuisson, garantissant ainsi une expérience de cuisson sans égouttements*.

*Basé sur des tests internes Whirlpool prenant en compte les conditions de cuisson normales.

COMMANDES

La hotte est dotée d'un panneau de commande avec un contrôle des vitesses d'aspiration et un contrôle d'allumage de la lumière pour l'éclairage de la plaque de cuisson.



T1= Touche Moteur OFF - stand by - réinitialisation du lavage/remplacement de la signalisation des filtres – désactive les touches de sélection.

OFF MOTEUR

Appuyer brièvement pour arrêter le moteur.

RÉINITIALISATION DE LA SIGNALISATION DES FILTRES

Après avoir effectué l'entretien des filtres, appuyer sur la touche pendant 3 secondes, le voyant clignotant T2 (filtre à graisse) ou T3 (filtre à charbon) arrête de clignoter.

DÉSACTIVER LES COMMANDES

Maintenir la touche enfoncée pendant 3 secondes pour désactiver les touches de sélection des vitesses.

Cette fonction peut être utile lors des opérations de nettoyage du produit pour éviter d'allumer la hotte par inadvertance.

Appuyer de nouveau pendant 3 secondes pour les réactiver.

T2= Touche de sélection de la vitesse (puissance d'extraction) **basse** - lorsqu'elle clignote, elle indique qu'il est nécessaire de laver le filtre à graisse.

T3= Touche de sélection vitesse (puissance d'extraction) **moyenne** - quand elle clignote, elle indique qu'il est nécessaire de laver ou de remplacer le filtre à charbon. Cette signalisation est normalement désactivée. Pour activer la signalisation, désactiver les commandes, touche T1, appuyer simultanément sur les touches T2 et T3 ; la touche T2 clignotera d'abord, puis les touches T2 et T3 pour indiquer l'activation.

Répéter l'opération pour désactiver la signalisation ; les touches T2 et T3 clignoteront d'abord, puis seule la touche T2 pour indiquer la désactivation.

T4= Touche de sélection de la vitesse (puissance d'extraction) **haute**.

T5= Touche de sélection de la vitesse (puissance d'extraction) **intensive** - durée 5 minutes - appuyer à nouveau pour revenir au réglage précédent.

T6= Touche ON/OFF lumière.

En cas d'anomalie de fonctionnement, débrancher pendant au moins 5 s. l'appareil de l'alimentation électrique en extrayant la fiche et le rebrancher, avant de contacter le service d'assistance. Si l'anomalie persiste, contacter le service d'assistance.

ENTRETIEN

• **Nettoyage** : Pour le nettoyage, utiliser exclusivement un chiffon imbibé de nettoyant liquide neutre. Ne pas utiliser d'ustensiles ni d'instruments de nettoyage.

• **A** **Filter à graisse** : Il doit être nettoyé une fois par mois (ou quand le système d'indication de saturation des filtres - si prévu sur le modèle possédé - indique ce besoin), avec des nettoyants non agressifs, manuellement ou au lave-vaisselle à faibles températures et à cycle court.

Avec le lavage au lave-vaisselle, le filtre anti-graisse métallique peut décolorer mais ses caractéristiques de filtrage restent les mêmes.

Pour démonter le filtre à graisse, tirer la poignée de décrochage à ressort.

• **B** **Filter à charbon (seulement pour la version filtrante)** : Il est nécessaire de remplacer la cartouche au maximum tous les quatre mois. Il NE peut PAS être lavé ni régénéré. Comme indiqué dans la section des dessins : enlever les filtres à graisse, appliquer un filtre au charbon par côté et l'accrocher au produit. Remettre les filtres à graisse.

• Le filtre à charbon actif retient les odeurs désagréables de la cuisson. • La saturation du filtre à charbon actif se constate après un emploi plus ou moins long, selon la fréquence d'utilisation et la régularité du nettoyage du filtre à graisse.

Éclairage du plan de cuisson

• Le système d'éclairage est basé sur la technologie LED. Les LED fournissent un éclairage optimal, durent jusqu'à 10 fois plus longtemps que les ampoules classiques et permettent d'économiser 90 % d'électricité.

• **Système d'Éclairage** : Le système d'éclairage ne peut pas être remplacé par l'utilisateur ; en cas de dysfonctionnement, contacter le service d'assistance.

ÉLIMINATION EN FIN DE VIE



Cet appareil est marqué conformément à la Directive Européenne 2012/19/CE - UK SI 2013 No.3113, Déchets d'équipements électriques et électroniques (DEEE).

S'assurer que ce produit est correctement éliminé. L'utilisateur contribue à prévenir les possibles conséquences négatives pour l'environnement et la santé. Le symbole présent sur le produit ou sur la documentation qui l'accompagne indique qu'il ne doit pas être traité comme déchet ménager mais être apporté à un point de collecte pour le recyclage d'équipements électriques et électroniques. L'éliminer conformément aux réglementations locales d'élimination des déchets. Pour plus d'informations sur le traitement, la récupération et le recyclage de ce produit, contacter les autorités locales, le service de collecte des déchets ménagers ou le magasin où le produit a été acheté.

Le matériel d'emballage est 100% recyclable et est marqué du symbole



NORMES

Équipement conçu, testé et réalisé dans le respect des normes sur la Sécurité : EN/CEI 60335-1 ; EN/CEI 60335-2- 31, EN/CEI 62233. Performance : EN/CEI 61591 ; ISO 5167-1 ; ISO 5167-3 ; ISO 5168 ; EN/CEI 60704-1 ; EN/CEI 60704-2-13 ; EN/CEI 60704-3 ; ISO 3741 ; EN 50564 ; CEI 62301. CEM : EN 55014-1 ; CISPR 14-1 ; EN 55014-2 ; CISPR 14-2 ; EN/CEI 61000-3-2 ; EN/CEI 61000-3-3.



SUGGESTIONS D'UTILISATION

Conseils pour une utilisation correcte et destinée à réduire l'impact environnemental : Pour commencer à cuisiner, allumer l'appareil à la vitesse minimale et la laisser allumer quelques minutes, même après la fin de la cuisson. Augmenter la vitesse seulement en cas de grosses quantités de fumée et de vapeur en utilisant la fonction booster uniquement pour les cas extrêmes. Pour préserver l'efficacité du système de réduction des odeurs, remplacer le(s) filtre(s) à charbon. Nettoyer le filtre à graisse régulièrement pour en préserver l'efficacité. Pour optimiser l'efficacité et minimiser les bruits, utiliser le diamètre maximal du système de canalisation indiqué dans ce manuel.

ANOMALIES DE FONCTIONNEMENT

En cas d'anomalie, effectuer les contrôles suivants avant de contacter le Service d'Assistance :

- Si la hotte ne fonctionne pas :

Vérifier que :

- Il n'y a pas de coupure de courant.

- Une vitesse a été sélectionnée.

- Si la hotte a un faible rendement :

Vérifier que :

- La vitesse du moteur sélectionnée est suffisante pour la quantité de fumée et de vapeurs libérée.

- La cuisine est suffisamment aérée pour permettre une prise d'air.

- Le filtre à charbon n'est pas usé (hotte en version filtrante).

- Si la hotte s'est éteinte au cours du fonctionnement normal :



Vérifier que :

- il n'y a pas de coupure de courant.

- le dispositif de coupure omnipolaire ne s'est pas déclenché.

En cas d'anomalie de fonctionnement, débrancher pendant au moins 5 s. l'appareil de l'alimentation électrique en extrayant la fiche et le rebrancher, avant de contacter le service d'assistance. Si l'anomalie persiste, contacter le service d'assistance.

DONNÉES TECHNIQUES

Hauteur (cm)	Largeur (cm)	Profondeur (cm)	Φ du tuyau d'évacuation (cm)
 104.5-147.5	60-90	36.8	15
 104.5-147.5			

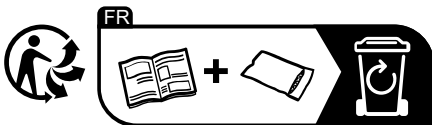
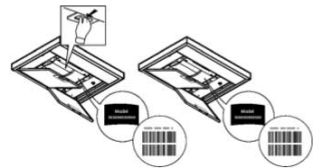


Composants non fournis avec le produit



Pour télécharger les consignes de sécurité, la notice d'utilisation, la fiche technique et les données énergétiques :

- Visitez le site Internet [docs. bauknecht.eu](http://docs.bauknecht.eu)
- Utilisez le code QR
- Ou **contacter le Service d'Assistance** (au numéro de téléphone indiqué sur le livret de garantie). En cas de contact du Service d'Assistance, indiquez les codes présents sur la plaque signalétique du produit.



ALLGEMEINE SICHERHEIT

- Nehmen Sie keine elektrischen oder mechanischen Änderungen am Produkt oder an den Abluftrohren vor. •Trennen Sie das Produkt vor jeder Reinigung oder Wartung von der Stromversorgung, indem Sie den Stecker ziehen oder den Hauptschalter der Wohnung betätigen. •Verwenden Sie bei allen Installations- und Wartungsarbeiten Arbeitshandschuhe. •Das Produkt darf von Kindern ab dem Alter von 8 Jahren und von Personen mit eingeschränkten körperlichen, sensorischen oder geistigen Fähigkeiten oder ohne Erfahrung oder notwendige Kenntnisse benutzt werden, wenn sie beaufsichtigt werden oder vorher Anweisungen zur sicheren Verwendung des Produkts und zum Verständnis der damit verbundenen Gefahren erhalten haben. •Kinder müssen beaufsichtigt werden, um sicherzustellen, dass sie nicht mit dem Produkt spielen. •Die Reinigung und Wartung darf nicht von Kindern ohne Aufsicht ausgeführt werden. •Der Raum muss über eine ausreichende Belüftung verfügen, wenn das Produkt gleichzeitig mit anderen Geräten, die Gas oder andere Brennstoffe verbrennen, verwendet wird. •Das Produkt muss regelmäßig (MINDESTENS EINMAL PRO MONAT) innen und außen gereinigt werden; beachten Sie in jedem Fall die Wartungsanweisungen. •Wenn Sie das Produkt nicht reinigen und die Filter nicht austauschen / reinigen, kann dies zu Brandgefahr führen. •Es ist strengstens untersagt, unter dem Produkt zu flambieren. •**ACHTUNG:** Wenn das Kochfeld in Betrieb ist, können zugängliche Teile des Produkts heiß werden. •Schließen Sie das Produkt erst dann an das Stromnetz an, wenn die Installation vollständig abgeschlossen ist. •Hinsichtlich der technischen und sicherheitstechnischen Maßnahmen zur Ableitung der Dämpfe sind die Vorschriften der zuständigen örtlichen Behörden strikt einzuhalten. •Die angesaugte Luft darf nicht in einen Kanal geleitet werden, der für die Abführung der Rauchgase von Geräten, die mit Gas oder anderen Brennstoffen betrieben werden, verwendet wird. •Verwenden Sie das Produkt nicht ohne ordnungsgemäß montierte Lampen, da Stromschlaggefahr besteht. •Das Produkt darf NIEMALS ohne korrekt montiertes Gitter verwendet werden. •Das Produkt darf NIEMALS als Auflagefläche verwendet werden, es sei denn, dies ist ausdrücklich angegeben.
- Verwenden Sie für die Installation nur die mit dem Produkt gelieferten Befestigungsschrauben oder, falls diese nicht enthalten sind, erwerben Sie den korrekten Schraubentyp. Verwenden Sie die korrekte Länge für die Schrauben, die in der Installationsanleitung angegeben sind.
- **Achtung!** Wenn die Schrauben und die Befestigungsvorrichtungen nicht gemäß diesen Anleitungen installiert werden, kann es zu elektrischen Risiken kommen.
- Verwenden Sie für den Austausch der Lampe nur den im Abschnitt *Wartung/ Beleuchtungssystem* dieses Handbuchs angegebenen Lampentyp. •Der Einsatz der freien Flamme ist für die Filter schädlich und kann zu Bränden führen, es muss daher in jedem Fall vermieden werden. •Das Frittieren muss unter Kontrolle durchgeführt werden, um zu verhindern, dass sich überhitztes Öl entzündet. •Wenden Sie sich im

Zweifelsfall an ein autorisiertes Kundendienstzentrum oder an ähnlich qualifiziertes Personal.

Achtung! Nicht mit getrenntem Programmierer, Timer, Fernbedienung oder jeglicher anderer Vorrichtung, die sich automatisch aktiviert, verwenden.

• Der Mindestabstand zwischen der Auflageflächen der Behälter am Kochherd und dem untersten Teil der Dunstabzugshaube muss mindestens 45 cm im Falle von Elektroherden und 60 cm bei Gas- oder gemischten Herden betragen.

Wenn in der Installationsanleitung des Gasherdes ein größerer Abstand angegeben ist, muss dieser berücksichtigt werden.

Halten Sie Kinder unter 3 Jahren fern vom Gerät. Ohne die ständige Aufsicht eines Erwachsenen Kinder unter 8 Jahren nicht in Reichweite des Geräts lassen.

⚠ ACHTUNG: Das Gerät ist nicht dafür vorgesehen, über eine externe Vorrichtung oder ein separates Fernbedienungssystem betrieben zu werden.

⚠ Dieses Gerät ist nicht für den professionellen Gebrauch bestimmt. Das Gerät nicht im Freien benutzen.

⚠ Um die Gefahr von Verletzungen zu vermeiden, muss das Gerät von zwei oder mehr Personen gehandhabt und installiert werden.

⚠ Die Installation, einschließlich der Wasseranschlüsse (falls vorhanden) und der elektrischen Anschlüsse, sowie die Wartung müssen von qualifiziertem Personal durchgeführt werden.

Nach abgeschlossener Installation das Verpackungsmaterial (Plastik, Polystyrol usw.) außerhalb der Reichweite von Kindern aufbewahren, um Erstickungsgefahr zu vermeiden.

Das Gerät nicht benutzen, wenn man nass oder barfuß ist.

Das Gerät niemals mit Dampf reinigen - Stromschlaggefahr.

Die in diesem Handbuch aufgeführten Anleitungen müssen streng eingehalten werden. Es wird für allfällige Zwischenfälle, Schäden und Brände im Gerät nicht gehaftet, die aus der Nichteinhaltung der in diesem Handbuch aufgeführten Anleitungen stammen. Das Gerät ist ausschließlich für den häuslichen Gebrauch zum Kochen von Lebensmitteln und zum Absaugen von Dämpfen aus dem Kochvorgang selbst bestimmt. Andere Verwendungen (wie z.B. die Raumheizung) sind verboten. Der Hersteller lehnt jegliche Haftung für Missbräuche oder fehlerhafte Einstellungen der Steuerelemente ab.

• Lesen Sie die Anleitung sorgfältig durch: Es gibt wichtige Informationen zur Installation, zum Gebrauch und zur Sicherheit.

• Nehmen Sie keine elektrischen Änderungen am Gerät vor.

• Prüfen Sie vor der Installation des Geräts, dass keines der Komponenten beschädigt ist. Sollten Beschädigungen vorhanden sein, den Händler kontaktieren und die Installation nicht fortsetzen.

• Es ist wichtig, alle dem Produkt beiliegenden Handbücher aufzubewahren, damit sie zu jedem Zeitpunkt eingesehen werden können. Im Falle von Verkauf, Weitergabe oder Umzug ist sicherzustellen, dass sie beim Produkt verbleiben.

Das Gerät kann von den Zeichnungen in dieser Broschüre abweichen, die Gebrauchs-, Wartungs- und Installationsanweisungen bleiben jedoch unverändert.

ELEKTROANSCHLUSS

Die Netzspannung muss mit der auf dem Typenschild im Inneren der Haube angegebenen Spannung übereinstimmen. Wenn die Abzugshaube mit einem Stecker ausgestattet ist, schließen Sie sie an eine den geltenden Normen entsprechende Steckdose an, die sich auch nach der Installation an einem zugänglichen Bereich befindet. Wenn kein Stecker vorhanden ist (direkter Anschluss an das Stromnetz) oder der Stecker sich auch nach der Installation nicht in einem zugänglichen Bereich befindet, verwenden Sie einen zweipoligen Standard-Schalter, der unter den Bedingungen der Überspannungskategorie III eine vollständige Trennung vom Stromnetz gewährleistet, entsprechend den Installationsvorschriften.

● **Achtung!** Bevor man den Stromkreis wieder an das Stromnetz anschließt und seinen ordnungsgemäßen Betrieb überprüft, sich immer vergewissern, dass das Netzkabel ordnungsgemäß montiert wurde.

Verwenden Sie keine Verlängerungskabel, Steckdosenleisten oder Adapter.

Wenn das Kabel nicht mit einem Stecker versehen ist, schließen Sie die Drähte gemäß der folgenden Tabelle an:

Netzspannung und -frequenz

Lesen Sie den Wert auf dem Aufkleber mit den Geräteeigenschaften auf der Innenseite der Kappe.

Anschluss der Drähte

⊥: gelb/grün

N: blau

L: braun

Austausch des Netzkabels

Die Abzugshaube ist mit einem speziellen Netzkabel ausgestattet; sollte das Kabel beschädigt sein, fordern Sie es bitte beim technischen Kundendienst an.

LUFTAUSLASS

(für die Versionen mit Absaugung)

Schließen Sie die Abzugshaube an Rohre und Wandauslassöffnungen mit einem Durchmesser an, der dem des Luftauslasses (Anschlussflansch) entspricht.

Die Verwendung von Rohren und Austrittsöffnungen an der Wand mit einem geringeren Durchmesser führt zu einer Verringerung der Absaugleistung und einem deutlichen Anstieg der Geräuschentwicklung.

Aus diesem Grund ist diesbezüglich jede Haftung ausgeschlossen.

! Verwenden Sie eine möglichst kurze Rohrleitung.

! Verwenden Sie eine Rohrleitung mit möglichst wenigen Biegungen (maximaler Biegewinkel: 90°).

! Vermeiden Sie drastische Änderungen des Leitungsquerschnitts.

! Das Unternehmen übernimmt keine Haftung, wenn diese Vorschriften nicht eingehalten werden.

FILTERN ODER ABSAUGEN?

! Ihre Abzugshaube ist bereit für den Einsatz in der Version mit Absaugung.

Um die Abzugshaube in der Version mit Filter zu verwenden, muss das entsprechende ZUBEHÖRKIT installiert werden.

Prüfen Sie auf den ersten Seiten dieses Handbuchs, ob das ZUBEHÖRKIT bereits mitgeliefert wird oder separat erworben werden muss.

Anmerkung: Falls es sich in der Ausstattung befindet, könnte in einigen Fällen das zusätzliche Aktivkohlefiltersystem bereits in der Abzugshaube installiert sein.

Die Informationen zur Umrüstung der Abzugshaube von einer Version mit Absaugung in eine Version mit Filter sind bereits in diesem Handbuch enthalten.

Version mit Absaugung

Die Dämpfe werden über ein am Anschlussflansch befestigtes Abluftrohr nach außen abgeführt.

ACHTUNG

Das Abluftrohr wird nicht mitgeliefert und muss gekauft werden.

Der Durchmesser des Abluftrohrs muss dem Durchmesser des Anschlussrings entsprechen.

Wenn die Abzugshaube mit einem oder mehreren Kohlefiltern ausgestattet ist, muss/müssen dieser/diese entfernt werden.

Version mit Filter

Die angesaugte Luft wird entfettet und desodoriert, bevor sie in den Raum zurückgeführt wird. Um die Abzugshaube in dieser Version zu verwenden, muss ein zusätzliches Aktivkohlefiltersystem installiert werden.

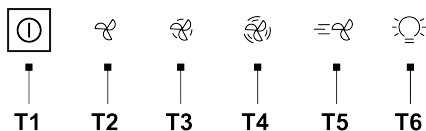
DROP PROTECT

Eine innovative Nanobeschichtung verhindert auf effektive Weise, dass Tropfen von der Glasoberfläche der Haube auf das Kochfeld fallen und sorgt so für ein troppfreies Kocherlebnis*.

*Basierend auf internen Whirlpool-Tests unter normalen Kochbedingungen.

STEUERUNGEN

Die Abzugshaube verfügt über ein Bedienfeld mit einer Steuerung der Absauggeschwindigkeit und einer Steuerung für das Einschalten des Lichts zur Beleuchtung des Kochfeldes.



T1= Taste Motor OFF - Standby - Reset der Reinigung/des Austauschs der Filteranzeige

– deaktiviert die Auswahlstasten.

MOTOR OFF

Kurz drücken, um den Motor abzuschalten.

RESET FILTERANZEIGE

Halten Sie nach der Wartung der Filter die Taste 3 Sekunden lang gedrückt, die blinkende LED T2 (Fettfilter) bzw. T3 (Kohlefilter) hört auf zu blinken.

DEAKTIVIERUNG DER BEFEHLE

Halten Sie die Taste 3 Sekunden lang gedrückt, um die Auswahlstaste der Geschwindigkeit zu deaktivieren.

Diese Funktion kann während der Produktreinigung nützlich sein, um ein versehentliches Aktivieren der Haube zu vermeiden.

Drücken Sie diese Taste erneut für 3 Sekunden, um die Funktion wieder zu aktivieren.

T2= Auswahlstaste niedrige Geschwindigkeit (Saugleistung) - wenn sie blinkt, deutet dies darauf hin, dass die Fettfilter gereinigt werden müssen.

T3= Auswahlstaste mittlere Geschwindigkeit (Saugleistung) - wenn sie blinkt, deutet dies darauf hin, dass der Kohlefilter gereinigt oder ausgetauscht werden muss. Diese Anzeige ist in der Regel deaktiviert. Um die Anzeige zu aktivieren, deaktivieren Sie die Befehle, die Taste T1, indem Sie gleichzeitig die Tasten T2 und T3 drücken. Zuerst blinkt nur die Taste T2, dann blinken sowohl die Tasten T2 als auch T3, um die Aktivierung anzuzeigen.

Wiederholen Sie den Vorgang, um die Anzeige zu deaktivieren. Zuerst blinken die Tasten T2 und T3, dann blinkt nur die Taste T2, um die Deaktivierung anzuzeigen.

T4= Auswahlstaste hohe Geschwindigkeit (Saugleistung).

T5= Auswahlstaste intensive Geschwindigkeit (Saugleistung) - Dauer 5 Minuten - erneut drücken, um zur

vorhergehenden Einstellung zurückzukehren.

T6= Taste Licht ON/OFF.

Im Falle einer Funktionsstörung trennen Sie das Gerät für mindestens 5 Sekunden durch Abziehen des Steckers vom Stromnetz und schließen Sie es dann wieder an, bevor Sie sich an den Kundendienst wenden. Wenn die Funktionsstörung weiterhin besteht, wenden Sie sich an den Kundendienst.

PFLEGE

• **Reinigung:** Verwenden Sie zur Reinigung nur ein mit neutralen, flüssigen Reinigungsmitteln angefeuchtetes Tuch. Verwenden Sie keine Werkzeuge oder Instrumente zur Reinigung.

• **✂️ A Fettfilter:** Er muss einmal im Monat (oder wenn das Anzeigesystem für die Filtersättigung - falls bei dem betreffenden Modell vorhanden - dies anzeigt) mit nicht aggressiven Reinigungsmitteln manuell oder im Geschirrspüler bei niedriger Temperatur und kurzem Zyklus gereinigt werden.

Beim Reinigen in der Spülmaschine kann sich der Metallfettfilter verfärben, wobei seine Filtereigenschaften in keiner Weise beeinträchtigt werden.

Um den Fettfilter zu entfernen, ziehen Sie am federbelasteten Entriegelungsgriff.

• **✂️ B Kohlefilter (nur für filternde Version):** Die Kartusche muss mindestens alle vier Monate ausgetauscht werden. Sie kann NICHT gereinigt oder wiederaufbereitet werden. Wie im Abschnitt "Zeichnungen" angegeben: Entfernen Sie die Fettfilter, setzen Sie einen Kohlefilter pro Seite ein und befestigen Sie ihn am Produkt. Die Fettfilter wieder einsetzen.

• Der Kohlefilter hält unangenehme Gerüche zurück, die beim Kochen entstehen. • Die Sättigung des Kohlefilters tritt nach mehr oder weniger langem Gebrauch ein, je nach Art des Kochens und je nachdem, wie regelmäßig der Fettfilter gereinigt wird.

Beleuchtung

• Das Beleuchtungssystem basiert auf der LED-Technologie. Die LEDs gewährleisten eine optimale Beleuchtung, halten bis zu 10 Mal länger als herkömmliche Lampen und sparen 90 % an elektrischer Energie.

• **Beleuchtungssystem :** Das Beleuchtungssystem kann nicht vom Anwender ausgetauscht werden, wenden Sie sich bitte bei Betriebsstörungen an den Kundendienst.

ENTSORGUNG AM ENDE DER LEBENSDAUER



Dieses Gerät ist in Übereinstimmung mit der europäischen Richtlinie 2012/19/EU - UK SI 2013 No.3113, Waste Electrical and Electronic Equipment (WEEE) - gekennzeichnet worden.

Stellen Sie sicher, dass dieses Produkt ordnungsgemäß entsorgt wird. Der Benutzer trägt dazu bei, mögliche negative Umwelt- und Gesundheitsfolgen zu vermeiden. Das Symbol auf dem Produkt oder auf der Begleitdokumentation weist darauf hin, dass dieses Produkt nicht als Hausmüll behandelt werden darf, sondern bei der entsprechenden Sammelstelle für das Recycling von Elektro- und Elektronik-Altgeräten abgegeben werden muss. Das Produkt gemäß den lokalen Vorschriften zur Abfallentsorgung beseitigen. Weitere Informationen zur Behandlung, Wiederverwertung und zum Recycling dieses Produkts erhalten Sie von der zuständigen örtlichen Behörde, dem Hausmüllentsorgungsdienst oder dem Geschäft, in dem das Produkt gekauft wurde.



Das Verpackungsmaterial ist zu 100% recycelbar und mit dem Recycling-Symbol gekennzeichnet.

BESTIMMUNGEN

Geräte, die gemäß den folgenden Sicherheitsnormen entwickelt, getestet und hergestellt wurden: EN/IEC 60335-1; EN/IEC 60335-2-31, EN/IEC 62233. Leistung: EN/IEC 61591; ISO 5167-1; ISO 5167-3; ISO 5168; EN/IEC 60704-1; EN/IEC 60704-2-13; EN/IEC 60704-3; ISO 3741; EN 50564; IEC 62301. EMC: EN 55014-1; CISPR 14-1; EN 55014-2; CISPR 14-2; EN/IEC 61000-3-2; EN/IEC 61000-3-3.

EMPFEHLUNGEN FÜR DIE VERWENDUNG

Vorschläge für die korrekte Anwendung zur Verringerung der Umweltbelastung: Wenn Sie mit dem Kochen beginnen, schalten Sie das Gerät mit minimaler Geschwindigkeit ein und lassen Sie es auch nach dem Ende des Kochvorgangs noch einige Minuten eingeschaltet. Erhöhen Sie die Geschwindigkeit nur bei großen Mengen an Rauch und Dampf, wobei die Booster-Funktion nur in Extremfällen verwendet wird. Um die Effizienz des Geruchsminderungssystems aufrechtzuerhalten, sollten Sie den/die Kohlefilter bei Bedarf austauschen. Um den Fettfilter effizient zu halten, reinigen Sie ihn bei Bedarf. Um die Effizienz zu optimieren und den Lärm zu minimieren, verwenden Sie den in diesem Handbuch angegebenen maximalen Durchmesser des Kanalsystems.

FUNKTIONSSTÖRUNGEN

Wenn etwas nicht zu funktionieren scheint, führen Sie die folgenden einfachen Kontrollen durch, bevor Sie den Kundendienst anrufen:

- Wenn die Haube nicht funktioniert:

Prüfen Sie, dass:

-Keine Stromunterbrechung vorliegt.

-Eine Geschwindigkeit gewählt wurde.

- Wenn die Abzugshaube eine unzureichende Leistung aufweist:

Prüfen Sie, dass:

-Die gewählte Motordrehzahl ausreichend für die freigesetzte Menge an Rauch und Dämpfen ist.

-Die Küche ausreichend belüftet ist, um eine Luftzufuhr zu ermöglichen.

-Der Aktivkohlefilter nicht abgenutzt ist (Abzugshaube in Version mit Filter).

- Wenn sich die Abzugshaube während des normalen Betriebs ausgeschaltet hat:



Prüfen Sie, dass:

-keine Stromunterbrechung vorliegt.

-der allpolige Schutzschalter nicht ausgelöst wurde.

Im Falle einer Funktionsstörung trennen Sie das Gerät für mindestens 5 Sekunden durch Abziehen des Steckers vom Stromnetz und schließen Sie es dann wieder an, bevor Sie sich an den Kundendienst wenden. Wenn die Funktionsstörung weiterhin besteht, wenden Sie sich an den Kundendienst.

TECHNISCHE DATEN

Höhe (cm)	Breite (cm)	Tiefe (cm)	Φ des Abluftrohrs (cm)
 104.5-147.5	60-90	36.8	15
 104.5-147.5			

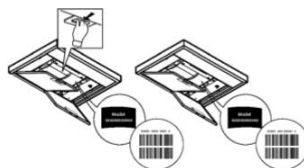


Komponenten, die nicht zum Lieferumfang des Produkts gehören



Zum Herunterladen der Sicherheitshinweise, des Benutzerhandbuchs, des Datenblatts und der Energiedaten:

- Besuchen Sie die Website docs.bauknecht.eu
- Verwenden Sie den QR-Code
- Oder **wenden Sie sich an den Kundendienst** (unter der im Garantieheft angegebenen Telefonnummer). Wenn Sie sich an den Kundendienst wenden, geben Sie bitte die Codes auf dem Typenschild des Produkts an.



SICUREZZA GENERALE

- Non effettuare variazioni elettriche o meccaniche sul prodotto o sulle condotte di scarico.
- Prima di qualsiasi operazione di pulizia o manutenzione, disinserire il prodotto dalla rete elettrica togliendo la spina o staccando l'interruttore generale dell'abitazione.
- Per tutte le operazioni di installazione e manutenzione utilizzare guanti da lavoro.
- Il prodotto può essere utilizzato da bambini di età non inferiore a 8 anni e da persone con ridotte capacità fisiche, sensoriali o mentali, o prive di esperienza o della necessaria conoscenza, purché sotto sorveglianza oppure dopo che le stesse abbiano ricevuto istruzioni relative all'uso sicuro dell'apparecchio e alla comprensione dei pericoli ad esso inerenti.
- I bambini devono essere controllati affinché non giochino con il prodotto.
- La pulizia e la manutenzione non deve essere effettuata da bambini senza sorveglianza.
- Il locale deve disporre di sufficiente ventilazione, quando il prodotto viene utilizzato contemporaneamente ad altri apparecchi a combustione di gas o altri combustibili.
- Il prodotto va frequentemente pulito sia internamente che esternamente (ALMENO UNA VOLTA AL MESE), rispettare comunque quanto espressamente indicato nelle istruzioni di manutenzione.
- L'inosservanza delle norme di pulizia del prodotto e della sostituzione/pulizia dei filtri comporta rischi di incendi.
- E' severamente vietato fare cibi alla fiamma sotto il prodotto.
- **ATTENZIONE:** Quando il piano di cottura è in funzione le parti accessibili del prodotto possono diventare calde.
- Non collegare il prodotto alla rete elettrica finché l'installazione non è totalmente completata.
- Per quanto riguarda le misure tecniche e di sicurezza da adottare per lo scarico dei fumi attenersi strettamente a quanto previsto dai regolamenti delle autorità locali competenti.
- L'aria aspirata non deve essere convogliata in un condotto usato per lo scarico dei fumi prodotti da apparecchi a combustione di gas o di altri combustibili.
- Non utilizzare o lasciare il prodotto privo di lampade correttamente montate per possibile rischio di scossa elettrica.
- Il prodotto non va MAI utilizzato senza griglia correttamente montata.
- Il prodotto non va MAI utilizzato come piano di appoggio a meno che non sia espressamente indicato.
- Utilizzare solo le viti di fissaggio in dotazione con il prodotto per l'installazione o, se non indotazione, acquistare il tipo di viti corretto. Utilizzare la lunghezza corretta per le viti che sono identificati nella Guida all'installazione.
- **Attenzione!** La mancata installazione di viti e dispositivi di fissaggio in conformità di queste istruzioni può comportare rischi di natura elettrica.
- Per la sostituzione della lampada utilizzare solo il tipo lampada indicato nella sezione manutenzione /sistema di illuminazione di questo manuale.
- L'impiego di fiamma libera è dannoso ai filtri e può dar luogo ad incendi, pertanto deve essere evitato in ogni caso.
- La frittura deve essere fatta sotto controllo onde evitare che l'olio surriscaldato prenda fuoco.
- In caso di dubbio, consultare il centro di assistenza autorizzato o personale qualificato similare.

Attenzione! Non utilizzare con un programmatore, timer, telecomando separato o qualsiasi altro dispositivo che si attiva automaticamente.

• La distanza minima fra la superficie di supporto dei recipienti sul dispositivo di cottura e la parte più bassa della cappa da cucina deve essere non inferiore a 45 cm in caso di cucine elettriche e di 60 cm in caso di cucine a gas o miste.

Se le istruzioni di installazione del dispositivo di cottura a gas specificano una distanza maggiore, bisogna tenerne conto.

Tenere i bambini di età inferiore a 3 anni lontani dall'apparecchio. Senza la sorveglianza costante di un adulto, tenere l'apparecchio fuori dalla portata dei bambini di età inferiore a 8 anni.

⚠ ATTENZIONE: l'apparecchio non è destinato ad essere messo in funzione mediante un dispositivo esterno o un sistema di comando a distanza separato.

⚠ Questo apparecchio non è destinato all'uso professionale. Non utilizzare l'apparecchio all'aperto.

⚠ Per evitare il rischio di lesioni personali, l'apparecchio deve essere movimentato e installato da due o più persone.

⚠ L'installazione, comprendente anche eventuali raccordi per l'alimentazione idrica (se previsti) e i collegamenti elettrici, e gli interventi di riparazione devono essere eseguiti da personale qualificato.

A installazione completata, conservare il materiale di imballaggio (parti in plastica, polistirolo, ecc.) fuori della portata dei bambini per evitare il rischio di soffocamento.

Non utilizzare l'apparecchio quando si è bagnati oppure a piedi nudi.

Mai utilizzare apparecchi per pulizia a vapore – rischio di shock elettrico.

Attenersi strettamente alle istruzioni riportate in questo manuale. Si declina ogni responsabilità per eventuali inconvenienti, danni o incendi provocati all'apparecchio derivati dall'inosservanza delle istruzioni riportate in questo manuale. L'apparecchio è destinato esclusivamente ad uso domestico per la cottura di alimenti e aspirazione dei fumi derivanti dalla cottura stessa. Non sono consentiti altri usi (es. riscaldare ambienti). Il fabbricante declina ogni responsabilità per usi non appropriati o per errate impostazioni dei comandi.

● Leggere attentamente le istruzioni: ci sono importanti informazioni sull'installazione, sull'uso e sulla sicurezza.

● Non effettuare variazioni elettriche sull'apparecchio.

● Prima di procedere all'installazione dell'apparecchio verificare che tutti i componenti non siano danneggiati. In caso contrario contattare il rivenditore e non proseguire con l'installazione.

● E' importante conservare tutti i manuali che accompagnano il prodotto per poterli consultare in ogni momento. In caso di vendita, di cessione o di trasloco, assicurarsi che restino insieme al prodotto.

L'apparecchio potrebbe avere estetiche differenti rispetto a quanto illustrato nei disegni di questo libretto, comunque le istruzioni per l'uso, la manutenzione e l'installazione rimangono le stesse.

COLLEGAMENTO ELETTRICO

La tensione di rete deve corrispondere alla tensione riportata sull'etichetta caratteristiche situata all'interno della cappa. Se provvista di spina allacciare la cappa ad una presa conforme alle norme vigenti posta in zona accessibile anche dopo l'installazione. Se sprovvista di spina (collegamento diretto alla rete) o la spina non è posta in zona accessibile, anche dopo installazione, applicare un interruttore bipolare a norma che assicuri la disconnessione completa della rete nelle condizioni della categoria di sovratensione III, conformemente alle regole di installazione.

● **Attenzione!** Prima di ricollegare il circuito all'alimentazione di rete e di verificarne il corretto funzionamento, controllare sempre che il cavo di alimentazione sia stato montato correttamente.

Non utilizzare prolunghe, prese multiple o adattatori.

Se il cavo non è provvisto di spina, collegare i fili attenendosi alla tabella seguente:

Tensione e frequenza della rete

Fare riferimento al valore indicato nella etichetta caratteristiche all'interno della cappa.

Collegamento fili

⬇: giallo/verde

N: blu

L: marrone

Sostituzione del cavo di alimentazione

La cappa è provvista di un cavo alimentazione speciale; in caso di danneggiamento del cavo, richiederlo al servizio assistenza tecnica.

SCARICO DELL'ARIA

(per le versioni aspiranti)

Collegare la cappa a tubi e fori di scarico a parete con diametro equivalente all'uscita d'aria (flangia di raccordo).

L'utilizzo di tubi e fori di scarico a parete con diametro inferiore determinerà una diminuzione delle prestazioni di aspirazione ed un drastico aumento della rumorosità.

Si declina perciò ogni responsabilità in merito.

! Usare un condotto lungo il minimo indispensabile.

! Usare un condotto con minor numero di curve possibile (angolo massimo della curva: 90°).

! Evitare cambiamenti drastici di sezione del condotto.

! L'azienda declina ogni responsabilità qualora queste norme non vengano rispettate.

FILTRANTE O ASPIRANTE?

! La vostra cappa è pronta per essere utilizzata in versione aspirante.

Per utilizzare la cappa in versione filtrante va installato l'apposito KIT ACCESSORIO.

Verificate nelle prime pagine di questo manuale se il KIT ACCESSORIO è già fornito a corredo o va acquistato a parte.

Nota: Se fornito a corredo, in alcuni casi, il sistema di filtraggio aggiuntivo a base di carboni attivi potrebbe essere già installato sulla cappa.

Le informazioni per la trasformazione della cappa da versione aspirante a versione filtrante sono già contenute in questomanuale.

Versione aspirante

I vapori vengono evacuati verso l'esterno tramite un tubo di scarico fissato alla flangia di raccordo.

⚠ ATTENZIONE

Il tubo di evacuazione non è fornito e va acquistato.

Il diametro del tubo di scarico deve essere equivalente al diametro dell'anello di connessione.

Se la cappa è provvista di filtro/i a carbone, questo/i deve/devono essere rimosso/i.

Versione filtrante

L'aria aspirata verrà sgrassata e deodorata prima di essere riconvogliata nella stanza. Per utilizzare la cappa in questa versione è necessario installare un sistema di filtraggio aggiuntivo a base di carboni attivi.

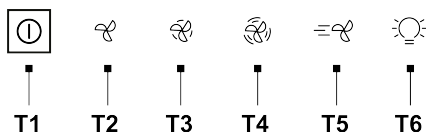
DROP PROTECT

Un innovativo trattamento di nano rivestimento che impedisce efficacemente alle gocce di cadere dalla superficie in vetro della cappa sul piano cottura, garantendo così un'esperienza di cottura senza gocciolamenti*.

*basato su test interni Whirlpool considerando le normali condizioni di cottura.

COMANDI

La cappa è fornita di un pannello comandi con un controllo delle velocità di aspirazione ed un controllo di accensione della luce per l'illuminazione del piano di cottura.



T1= Tasto Motore OFF - stand by - reset del lavaggio/sostituzione della segnalazione dei filtri – disattiva i tasti di selezione.

OFF MOTORE

Premere brevemente per spegnere il motore.

RESET SEGNALAZIONE FILTRI

Dopo aver eseguito la manutenzione dei filtri, premere per 3 secondi il tasto, il led lampeggiante T2 (filtro grassi) o T3 (filtro a carbone) smette di lampeggiare.

DISATTIVARE I COMANDI

Tenere premuto il tasto per 3 secondi per disattivare i tasti di selezione delle velocità.

Questa funzione può risultare utile durante le operazioni di pulizia del prodotto per evitare di azionare inavvertitamente la cappa.

Premere nuovamente per 3 secondi per riattivarli.

T2= Tasto di selezione velocità (potenza di aspirazione) bassa - quando lampeggia indica la necessità di lavare il filtro grassi.

T3= Tasto di selezione velocità (potenza di aspirazione) media - quando lampeggia indica la necessità di lavare o sostituire il filtro al carbone. Questa segnalazione è normalmente disattivata. Per attivare la segnalazione, disattivare i comandi, tasto T1, premere contemporaneamente i tasti T2 e T3, prima lampeggerà il solo tasto T2 poi lampeggeranno entrambi i tasti T2 e T3 ad indicare l'attivazione.

Ripetere l'operazione per disattivare la segnalazione, prima lampeggeranno i tasti T2 e T3 poi lampeggerà il solo tasto T2 ad indicare la disattivazione.

T4= Tasto di selezione velocità (potenza di aspirazione) alta.

T5= Tasto di selezione velocità (potenza di aspirazione) intensiva - durata 5 minuti - premere ancora per ritornare alla impostazione precedente.

T6= Tasto ON/OFF luce.

In caso di eventuali anomalie di funzionamento, prima di rivolgersi al servizio assistenza scollegare per almeno 5 sec. l'apparecchio dall'alimentazione elettrica estraendo la spina e collegatelo poi nuovamente. Nel caso in cui l'anomalia di funzionamento dovesse perdurare, rivolgersi al servizio d'assistenza.

MANUTENZIONE

• **Pulizia:** Per la pulizia usare esclusivamente un panno inumidito con detersivi liquidi neutri. Non utilizzare utensili o strumenti per la pulizia.

• **✂A Filtro Antigrasso:** Deve essere pulito una volta al mese (o quando il sistema di indicazione di saturazione dei filtri - se previsto sul modello in possesso- indica questa necessità), con detersivi non aggressivi, manualmente oppure in lavastoviglie a basse temperature ed a ciclo breve.

Con il lavaggio in lavastoviglie il filtro antigrasso metallico può scolorirsi ma le sue caratteristiche di filtraggio non cambiano assolutamente.

Per smontare il filtro grassi tirare la maniglia di sgancio a molla.

• **✂B Filtro carbone (solo per versione filtrante):** È necessario sostituire la cartuccia al massimo ogni quattro mesi. NON può essere lavato o rigenerato. Come indicato nella sezione disegni: togliere i filtri antigrasso, applicare un filtro al carbone per lato ed agganciarlo al prodotto. Rimettere i filtri antigrasso.

• Il filtro carbone trattiene gli odori sgradevoli derivanti dalla cottura. • La saturazione del filtro carbone si verifica dopo un uso più o meno prolungato a seconda del tipo di cucina e della regolarità della pulizia del filtro grassi.

Illuminazione

• Il sistema di illuminazione è basato sulla tecnologia LED. I LED garantiscono una illuminazione ottimale, con una durata fino a 10 volte maggiore delle lampade tradizionali e consentono di risparmiare il 90% di energia elettrica.

• **Sistema di Illuminazione :** Il sistema di illuminazione non è sostituibile dall'utente, in caso di malfunzionamenti contattare il servizio assistenza.

SMALTIMENTO A FINE VITA



Questo apparecchio è contrassegnato in conformità alla Direttiva Europea 2012/19/EC - UK SI 2013 No.3113, Waste Electrical and Electronic Equipment (WEEE).

Assicurandosi che questo prodotto sia smaltito in modo corretto. L'utente contribuisce a prevenire le potenziali conseguenze negative per l'ambiente e la salute. Il simbolo sul prodotto o sulla documentazione di accompagnamento indica che questo prodotto non deve essere trattato come rifiuto domestico ma deve essere consegnato presso l'adeguato punto di raccolta per il riciclaggio di apparecchiature elettriche ed elettroniche. Disfarsene seguendo le normative locali per lo smaltimento dei rifiuti. Per ulteriori informazioni sul trattamento, recupero e riciclaggio di questo prodotto, contattare l'adeguato ufficio locale, il servizio di raccolta dei rifiuti domestici o il negozio presso il quale il prodotto è stato acquistato.

Il materiale dell'imballo è riciclabile al 100% ed è contrassegnato con il simbolo del riciclo



NORMATIVE

Apparecchiatura progettata, testata e realizzata nel rispetto delle norme sulla Sicurezza: EN/IEC 60335-1; EN/IEC 60335-2-31, EN/IEC 62233. Prestazione: EN/IEC 61591; ISO 5167-1; ISO 5167-3; ISO 5168; EN/IEC 60704-1; EN/IEC 60704-2-13; EN/IEC 60704-3; ISO 3741; EN 50564; IEC 62301. EMC: EN 55014-1; CISPR 14-1; EN 55014-2; CISPR 14-2; EN/IEC 61000-3-2; EN/IEC 61000-3-3.

SUGGERIMENTI DI UTILIZZO

Suggerimenti per un corretto utilizzo al fine di ridurre l'impatto ambientale: Quando si inizia a cucinare, accendere l'apparecchio alla velocità minima, lasciandola accesa per alcuni minuti anche dopo il termine della cottura. Aumentare la velocità solo in caso di grandi quantità di fumo e vapore, utilizzando la funzione booster solo in casi estremi. Per mantenere ben efficiente il sistema di riduzione degli odori, sostituire, quando è necessario, il/i filtro/i carbone. Per mantenere ben efficiente il filtro del grasso, pulirlo in caso di necessità. Per ottimizzare l'efficienza e minimizzare i rumori, utilizzare il diametro massimo del sistema di canalizzazione indicato in questo manuale.

ANOMALIE DI FUNZIONAMENTO

Se qualcosa non sembra funzionare, prima di chiamare il Servizio Assistenza effettuare i seguenti semplici controlli:

- Se la cappa non funziona:

Verificare che:

-Non c'è interruzione di corrente

-È stata selezionata una velocità

- Se la cappa ha un rendimento scarso:

Verificare che:

-La velocità motore selezionata è sufficiente per la quantità di fumo e di vapori liberata.

-La cucina è sufficientemente areata per permettere una presa d'aria.

-Il filtro carbone non è consumato (cappa in versione filtrante).

- Se la cappa si è spenta nel corso del normale funzionamento:



Verificare che:

-non c'è interruzione di corrente.

-il dispositivo di interruzione omnipolare non è scattato.

In caso di eventuali anomalie di funzionamento, prima di rivolgerVi al servizio assistenza scollegate per almeno 5 sec. l'apparecchio dall'alimentazione elettrica estraendo la spina e collegatelo poi nuovamente. Nel caso in cui l'anomalia di funzionamento dovesse perdurare, rivolgersi al servizio d'assistenza.

DATI TECNICI

Altezza (cm)	Larghezza (cm)	Profondità (cm)	Ø del tubo di scarico (cm)
 104.5-147.5	60-90	36.8	15
 104.5-147.5			

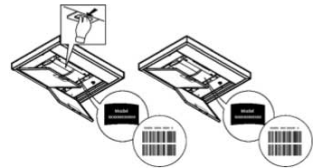


Componenti non in dotazione con il prodotto



Per scaricare le istruzioni di sicurezza, il manuale d'uso, la scheda tecnica e i dati energetici:

- Visitare il sito web docs.bauknecht.eu
- Usare il codice QR
- Oppure, **contattare il Servizio Assistenza** (al numero di telefono riportato sul libretto di garanzia). Quando si contatta il Servizio Assistenza, fornire i codici presenti sulla targhetta matricola del prodotto.



ALGEMENE VEILIGHEID

- Breng op het product of op de afvoerkanalen geen elektrische of mechanische wijzigingen aan. • Voordat er werkzaamheden voor reiniging of onderhoud worden uitgevoerd, moet het product worden losgekoppeld van het elektriciteitsnet door de stekker te verwijderen of de hoofdschakelaar van de woning uit te schakelen.
- Draag tijdens alle werkzaamheden voor de installatie en het onderhoud altijd werkhandschoenen. • Het product mag gebruikt worden door kinderen vanaf 8 jaar en door personen met verminderde lichamelijke, zintuiglijke of geestelijke vermogens, of personen die niet beschikken over de noodzakelijke ervaring en kennis, mits ze onder toezicht staan of nadat ze aanwijzingen hebben ontvangen inzake het veilige gebruik van het apparaat en ze de bij het gebruik betrokken gevaren begrepen hebben. • Kinderen moeten onder toezicht staan om ervoor te zorgen dat ze niet met het product spelen. • De reiniging en het onderhoud mogen niet worden uitgevoerd door kinderen zonder dat ze onder toezicht staan. • Als het product gelijktijdig wordt gebruikt met andere apparaten die gas of andere brandstoffen verbranden, moet de ruimte beschikken over een voldoende ventilatie. • Het apparaat moet zowel aan de binnen- als de buitenkant regelmatig worden gereinigd (TEN MINSTE EENMAAL PER MAAND), en neem daarbij in ieder geval de uitdrukkelijk aangegeven onderhoudsvorschriften in acht. • De niet-naleving van de normen voor reiniging van het product en voor de vervanging/reiniging van de filters vormt een gevaar voor brand. • Het is ten strengste verboden om onder het product voedingsmiddelen boven de vlam te bereiden. • **OPGELET:** Tijdens de werking van de kookplaat kunnen de bereikbare delen van het product heet worden. • Sluit het product niet aan op het elektriciteitsnet tot de installatie volledig is voltooid. • Voor wat betreft de toe te passen technische maatregelen en veiligheidsmaatregelen voor de afvoer van de dampen moet de regelgeving van de plaatselijke bevoegde instanties strikt in acht worden genomen. • De afgezogen lucht mag niet in een kanaal worden geleid dat gebruikt wordt voor de afvoer van de dampen geproduceerd door apparaten die gas of andere brandstoffen verbranden. • Gebruik het product niet en laat het niet zonder correct gemonteerde lampen, in verband met het mogelijk risico op elektrische schokken. • Het product mag NOOIT zonder correct gemonteerd rooster gebruikt worden. • Het product mag NOOIT gebruikt worden als steunvlak, tenzij uitdrukkelijk aangegeven.
- Gebruik voor de installatie alleen de bij het product geleverde bevestigingsschroeven; indien deze niet worden bijgeleverd, moet het geschikte type schroef worden aangeschaft. Gebruik een correcte lengte voor de schroeven zoals beschreven in de handleiding voor installatie.
- **Opgelet!** Als schroeven en bevestigingselementen niet in overeenstemming met deze aanwijzingen worden geïnstalleerd, kan dit leiden tot risico's van elektrische aard.

- Gebruik voor de vervanging van de lampen uitsluitend het type lamp aangegeven in het hoofdstuk betreffende het onderhoud/verlichtingssysteem van deze handleiding.
- Het gebruik van open vuur is schadelijk voor de filters, vormt een gevaar voor brand en moet derhalve altijd vermeden worden.
- Frituren moet altijd onder toezicht gebeuren om te voorkomen dat de olie oververhit raakt en vlam vat.
- Neem in geval van twijfel contact op met het erkende servicecentrum of vergelijkbaar gekwalificeerd personeel.

Opgelet! Maak geen gebruik van een ander programmeringssysteem, timer, afstandsbediening of ander apparaat dat automatisch wordt geactiveerd.

- De minimale afstand tussen het oppervlak waarop de pannen op het kooktoestel worden geplaatst en het laagste gedeelte van de afzuigkap mag niet minder dan zijn de 45 cm in geval van elektrische fornuizen, of 60 cm in geval van gas- of combifornuizen.

Als de installatie-aanwijzingen van het gaskooktoestel een grotere afstand aangegeven, moet deze in acht worden genomen.

Houd kinderen jonger dan 3 jaar uit de buurt van het apparaat. Houd kinderen jonger dan 8 jaar uit de buurt van het apparaat, tenzij ze onder voortdurend toezicht staan van een volwassene.

⚠ OPGELET: het apparaat is niet bedoeld om in werking te worden gesteld door middel van een extern apparaat of een apart systeem voor bediening op afstand.

⚠ Dit apparaat is niet bedoeld voor een professioneel gebruik. Gebruik het apparaat niet in de open lucht.

⚠ Om het risico op persoonlijk letsel te voorkomen, moet het apparaat door twee of meer personen verplaatst en geïnstalleerd worden.

⚠ De installatie, waaronder ook de eventuele aansluiting op de waterleiding (indien voorzien) en de elektrische aansluitingen, evenals de reparatie-ingrepen moeten worden uitgevoerd door gekwalificeerd personeel.

Na het voltooiën van de installatie moet het verpakkingsmateriaal (plastic, polystyreen, enz.) buiten het bereik van kinderen bewaard worden om verstikkingsgevaar te voorkomen.

Gebruik het apparaat niet wanneer u nat bent of op blote voeten.

Gebruik voor de reiniging nooit stoomreinigers - gevaar voor elektrische schokken.

Neem de aanwijzingen van deze handleiding strikt in acht. Wij aanvaarden geen aansprakelijkheid voor eventuele problemen, schade of brand, veroorzaakt door het apparaat als gevolg van de niet-naleving van de aanwijzingen van deze handleiding. Het apparaat is uitsluitend bedoeld voor een huishoudelijk gebruik, voor het koken van voedingsmiddelen en het afzuigen van de dampen van het kookproces. Ander gebruik is niet toegestaan (bijv. het verwarmen van omgevingen). De fabrikant aanvaardt geen aansprakelijkheid voor een oneigenlijk gebruik of voor verkeerde instellingen van de bedieningselementen.

- Lees de instructies aandachtig door: deze bevatten belangrijke informatie over de installatie, het gebruik en de veiligheid.
- Breng geen elektrische wijzigingen aan het apparaat aan.

- Voorafgaand aan de installatie van het apparaat moet gecontroleerd worden dat alle onderdelen onbeschadigd zijn. Neem anders contact op met uw leverancier en ga niet verder met de installatie.
- Het is belangrijk om alle handleidingen van het product te bewaren zodat ze op elk moment geraadpleegd kan worden. In geval van verkoop, overdracht of verhuizing moeten de handleidingen het product begeleiden.

Het apparaat kan anders uitzien dan op de tekeningen in dit boekje, maar de gebruiks-, onderhouds- en installatie-instructies blijven hetzelfde.

ELEKTRISCHE AANSLUITING

De netspanning moet voldoen aan de spanning aangegeven op het typeplaatje aangebracht aan de binnenkant van de afzuigkap. Indien voorzien van een stekker, moet de afzuigkap worden aangesloten op een geschikt stopcontact dat aan de geldende normen voldoet, geplaatst op een ook na de installatie bereikbare plek. Indien niet voorzien van een stekker (rechtstreekse aansluiting op het elektriciteitsnet), of als de stekker zich niet op een bereikbare plek bevindt, moet een goedgekeurde tweepolige schakelaar worden voorzien die de volledige loskoppeling van het elektriciteitsnet garandeert onder de omstandigheden van overspanningscategorie III, in overeenstemming met de installatievoorschriften.

● **Opgelet!** Voordat het circuit weer op de netvoeding wordt aangesloten en de correcte werking ervan wordt gecontroleerd, moet altijd gecontroleerd worden of het netsnoer correct gemonteerd is.

Maak geen gebruik van verlengsnoeren, verdeelstekkers of adapters.

Als de kabel niet is voorzien van een stekker, sluit de draden dan aan volgens de onderstaande tabel:

Spanning en frequentie van het elektriciteitsnet

Verwijs naar de waarde aangegeven op het typeplaatje dat is aangebracht in de afzuigkap.

Aansluiting draden

: geel/groen

N: blauw

L: bruin

Vervanging van de voedingskabel

De afzuigkap heeft een speciale voedingskabel; in geval de kabel beschadigd is, vraag dan een vervangend onderdeel aan de technische service.

AFVOER VAN DE LUCHT

(voor afzuigversies)

Verbind de afzuigkap met afvoerpijpen en -openingen in de muur, met een diameter die gelijk moet zijn aan de luchtuitlaat (koppelingsslens).

Het gebruik van afvoerpijpen en -openingen met een kleinere diameter veroorzaken een verminderde prestatie van de afzuiging en een aanzienlijke toename van het geluidsniveau.

In deze gevallen aanvaarden wij derhalve geen enkele aansprakelijkheid.

! Gebruik een zo kort mogelijke pijp.

! Gebruik een pijp met zo weinig mogelijk bochten (maximale hoek van de bocht: 90°).

! Vermijd drastische wijzigingen in de doorsnede van de pijp.

! Het bedrijf aanvaardt geen aansprakelijkheid als niet aan deze normen wordt voldaan.

FILTER- OF AFZUIGVERSIE?

! Uw afzuigkap is klaar voor gebruik in de afzuigversie.

Om de afzuigkap in de filterversie te gebruiken, moet een speciale ACCESSOIRESET geïnstalleerd worden.

Controleer op de eerste pagina's van deze handleiding of de ACCESSOIRESET reeds wordt bijgeleverd of apart moet worden aangeschaft.

Opmerking: Indien bijgeleverd, zou het extra filtratiesysteem op basis van actieve kool in enkele gevallen reeds op de afzuigkap geïnstalleerd kunnen zijn.

Informatie inzake de ombouw van de afzuigkap van de afzuigversie naar de filterversie is reeds in deze handleiding opgenomen.

Afzuigversie

De dampen worden naar buiten afgevoerd via een afvoerpijp bevestigd op de koppelingsflens.

OPGELET

De afvoerpijp maakt geen deel uit van de levering en moet apart worden aangeschaft.

De diameter van de afvoerpijp moet gelijk zijn aan die van de koppelingsring.

Als de afzuigkap is voorzien van actiefkoolfilter(s), moeten deze verwijderd worden.

Filterversie

De aangezogen lucht wordt ontvet en ontgeurd alvorens ze weer in de ruimte wordt teruggebracht. Om de afzuigkap in deze versie te gebruiken, moet een extra filtratiesysteem op basis van actieve kool geïnstalleerd worden.

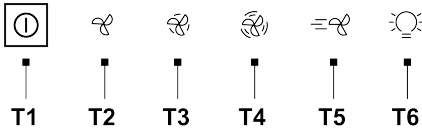
DROP PROTECT

Een innovatieve nano-coating voorkomt op effectieve wijze dat druppels van het glazen oppervlak van de afzuigkap op de kookplaat vallen, en zorgt zo voor een kookervaring zonder druppels*.

Gebaseerd op Whirlpool's interne tests onder normale kookomstandigheden.

BEDIENINGSELEMENTEN

De afzuigkap is voorzien van een bedieningspaneel met een bediening van de afzuigsnelheid en een bediening voor de inschakeling van de verlichting van de kookplaat.



T1= Toets motor OFF - stand-by - reset van het wassen/vervang van signalering van de filters – deactiveert de selectietoetsen.

OFF MOTOR

Druk kort om de motor uit te schakelen.

RESET SIGNALERING FILTERS

Druk na het filteronderhoud 3 seconden op de knop, de knipperende led T2 (vetfilter) of T3 (koolstoffilter) stopt met knipperen.

COMMANDO'S DEACTIVEREN

Houd de knop 3 seconden ingedrukt om de snelheidskeuzetoetsen te deactiveren.

Deze functie kan handig zijn bij het reinigen van het product om te voorkomen dat de kap per ongeluk geactiveerd wordt.

Druk nogmaals 3 seconden op de knop om ze weer te activeren.

T2= Snelheidskeuzetoets (afzuigvermogen) **laag** - wanneer deze knippert, betekent het dat het vetfilter moet worden gereinigd.

T3= Snelheidskeuzetoets (afzuigvermogen) **gemiddeld** - wanneer deze knippert, betekent het dat het koolstoffilter moet

worden gereinigd of vervangen. Deze signalering is normaal gesproken uitgeschakeld. Om de signalering te activeren, schakelt u de commando's uit, drukt u op T1, drukt u tegelijkertijd op de toetsen T2 en T3, eerst knippert alleen toets T2, daarna knipperen beide toetsen T2 en T3 om de activering aan te geven.

Herhaal de handeling om de signalering te deactiveren, eerst knipperen de toetsen T2 en T3, daarna knippert alleen de toets T2 om de deactivering aan te geven.

T4= Snelheidskeuzetoets (afzuigvermogen) hoog.

T5= Snelheidskeuzetoets (afzuigvermogen) intensief - duur 5 minuten - druk nogmaals op om terug te gaan naar de vorige instelling.

T6= Toets ON/OFF verlichting.

In geval van eventuele storingen, alvorens contact op te nemen met de technische servicedienst, wordt aangeraden om het apparaat ten minste 5 sec. los te koppelen van het elektriciteitsnet door de stekker uit het stopcontact te halen en hem vervolgens weer aan te sluiten. Als de storing aanhoudt, neem dan contact op met de technische servicedienst.

ONDERHOUD

• **Reiniging:** Gebruik voor de reiniging uitsluitend een met neutrale reinigingsmiddelen bevochtigde doek. Gebruik voor de reiniging geen gereedschappen of instrumenten.

• **A Vefilter:** Het vefilter moet eenmaal per maand gereinigd worden (of als het systeem voor de verzadiging van de filters - indien aanwezig op uw model - dit aangeeft), met milde reinigingsmiddelen, met de hand of in de vaatwasser bij lage temperatuur en een kort cyclus. Het kan gebeuren dat het wassen in de vaatwasser het metalen vefilter verkleurt maar de filter-eigenschappen zullen absoluut niet wijzigen.

Voor de demontage van het vefilter moet aan de ontgrendelingshendel met veer getrokken worden.

• **B Koolfilter (alleen voor filterversie):** Het filterelement moet maximaal om de vier maanden worden vervangen. Dit element kan NIET gewassen of geregenereerd worden. Zoals aangegeven in het deel met de tekeningen: verwijder de vefilters, breng één koolstoffilter per zijde aan en haak ze vast aan het product. Plaats de vefilters terug.

• Het koolfilter vangt de onaangename geuren van het kookproces op. • De verzadiging van het koolfilter treedt op na een meer of minder lang gebruik, afhankelijk van het soort bereiding en de regelmaat van de reiniging van het vefilter.

Verlichting

• Het verlichtingssysteem is gebaseerd op de led-technologie. Leds garanderen een optimale verlichting en gaan maximaal 10 keer langer mee dan traditionele lampen, terwijl er 90% elektriciteit wordt bespaard.

• **Verlichtingssysteem :** Het verlichtingssysteem mag niet door de gebruiker vervangen worden: neem in geval van storingen contact op met de servicedienst.

VERWIJDERING AAN EINDE LEVENSDUUR



Dit apparaat is gemarkeerd in overeenstemming met de Europese richtlijn 2012/19/EG - UK SI 2013 Nr.3113, Afgedankte Elektrische en Elektronische Apparatuur (AEEA).

Zorg ervoor dat dit product op correcte wijze wordt afgevoerd. De gebruiker draagt bij aan het voorkomen van potentieel negatieve gevolgen voor het milieu en de gezondheid. Het op het product of op de begeleidende documenten aangegeven symbool geeft aan dat dit product niet behandeld mag worden als huishoudelijk afval, maar ingeleverd moet worden bij een erkend inzamelpunt voor de recycling van elektrische en elektronische apparaten. Verwerk het product in overeenstemming met de plaatselijke regelgeving voor afvalverwijdering. Voor meer informatie over de verwerking, het hergebruik en de recycling van dit product moet contact worden opgenomen met de plaatselijke instantie voor de inzameling van huishoudelijke apparaten of de winkel waar het product is aangekocht.



Het verpakkingsmateriaal is 100% recycleerbaar en is gemarkeerd met het betreffende symbool

REGELGEVING

Apparaat ontworpen, getest en geproduceerd in overeenstemming met de normen inzake de Veiligheid: EN/IEC 60335-1; EN/IEC 60335-2-31, EN/IEC 62233. Prestaties: EN/IEC 61591; ISO 5167-1; ISO 5167-3; ISO 5168; EN/IEC 60704-1; EN/IEC 60704-2-13; EN/IEC 60704-3; ISO 3741; EN 50564; IEC 62301. EMC: EN 55014-1; CISPR 14-1; EN 55014-2; CISPR 14-2; EN/IEC 61000-3-2; EN/IEC 61000-3-3.

SUGGESTIES VOOR GEBRUIK

Suggesties voor een correct gebruik om de milieu-impact te verminderen: Wanneer u begint te koken, schakel het apparaat dan in met de minimale snelheid en laat hem ook na het einde van de bereiding nog enkele minuten ingeschakeld. Verhoog de snelheid alleen in geval van een grote hoeveelheid stoom en rook en gebruik de functie booster alleen in extreme gevallen. Om het systeem voor de geurbepaling efficiënt te behouden moet(en), wanneer nodig, het/de koolstoffilter(s) vervangen worden. Om het vetfilter efficiënt te handhaven, moet het, wanneer noodzakelijk, gereinigd worden. Om de efficiëntie te optimaliseren en de geluidsemissies te beperken, moet de in deze handleiding aangegeven maximale diameter voor het leidingensysteem worden gebruikt.

STORINGEN VAN DE WERKING

Als het lijkt dat er iets niet naar behoren functioneert, verricht dan eerst de onderstaande eenvoudige controles alvorens u contact opneemt met de servicedienst:

- Als de afzuigkap niet functioneert:

Controleer:

- Dat er geen sprake is van een stroomuitval.
- Of er een snelheid is geselecteerd.

- Als de afzuigkap matig presteert:

Controleer:

- Of de geselecteerde snelheid voldoende is voor de hoeveelheid vrijgekomen dampen en stoom.
- Of de keuken voldoende geventileerd is om een goede luchttoevoer te garanderen.
- Dat het koolstoffilter niet versleten is (afzuigkap in filterversie).

- Als de afzuigkap tijdens de normale werking uitschakelt:



Controleer:

- dat er geen sprake is van een stroomuitval.
- dat de meerpolege stroomonderbreker niet heeft ingegrepen.

In geval van eventuele storingen, voordat u contact opneemt met de technische servicedienst, wordt aangeraden om het apparaat ten minste 5 sec. los te koppelen van het elektriciteitsnet door de stekker uit het stopcontact weg te nemen en het vervolgens weer aan te sluiten. Als de storing aanhoudt, neem dan contact op met de technische servicedienst.

TECHNISCHE GEGEVENS

Hoogte (cm)	Breedte (cm)	Diepte (cm)	Φ van de afvoerpijp (cm)
-------------	--------------	-------------	--------------------------

 104.5-147.5	60-90	36.8	15
 104.5-147.5			

CE



Niet bij het product geleverde componenten



Voor de download van de veiligheidsinstructies, de gebruikershandleiding, het technische gegevensblad en de energiegegevens:

- Ga naar de website **docs.bauknecht.eu**
- Gebruik de QR-code
- Of **neem contact op met de Klantenservice** (via het telefoonnummer aangegeven in het garantieboekje). Verstrek, bij contact met de Klantenservice, de codes aangegeven op het typeplaatje van het product.

