



Representative in EU :
Panasonic Marketing Europe GmbH
Panasonic Testing Centre
Winsbergring 15, 22525 Hamburg, Germany

Panasonic Taiwan Co., Ltd.
<http://www.panasonic.com>
© Panasonic Taiwan Co., Ltd. 2021



XE•XD

DZ52B226
MX0321L0
Printed in China



Panasonic®

English

Deutsch

Français

Nederlands

Italiano

Español

Polski

Česky

Magyar

Suomi

Dansk

Svenska

OPERATING INSTRUCTIONS

Automatic Bread Maker (Household Use)

BEDIENUNGSANLEITUNG

Brotbackautomat (Hausgebrauch)

NOTICE D'UTILISATION

Machine à pain automatique (Usage domestique)

GEBRUIKSAANWIJZING

Automatische Broodbakoven (Voor huishoudelijk gebruik)

ISTRUZIONI D'USO

Macchina per pane automatica (Utilizzo Domestico)

INSTRUCCIONES DE FUNCIONAMIENTO

Panificadora automática (Uso Doméstico)

INSTRUKCJA OBSŁUGI

Automatyczny wypiekacz do chleba (Do użytku domowego)

NÁVOD K OBSLUZE

Automatická domácí pekárna (Pro domácí použití)

KEZELÉSI ÚTMUTATÓ

Automata kenyérsütő gép (Háztartási használatra)

KÄYTTÖOHJE

Automaattinen leipäkone (Kotitalouskäyttöön)

BRUGSVEJLEDNING

Automatisk bagemaskine (Husholdningsbrug)

BRUKSANVISNING

Automatisk Bakmaskin (Hushåll)

Model No./Modell Nr./Modèle n°/Modelnr./Modello n°/N.º de modelo/
Model/Model/Mallinúmero/Modelnr./Modellnr.



SD-YR2550

SD-YR2550/SD-YR2540

SD-R2530/SD-B2510



Thank you for purchasing the Panasonic product.

- For this product, there are 2 instructions. This is "OPERATING INSTRUCTIONS". The other one is "OPERATING MANUAL AND RECIPES". Please read 2 instructions carefully to use the product correctly and safely.
- Before using this product, **please give your special attention to Safety Precautions (See P. GB2–GB5) and Important Information (See P. GB5) of this instructions.**
- Please keep instructions for future use.
- Panasonic will not accept any liability if the product is subject to improper use, or failure to comply with these instructions.

Contents

OPERATING INSTRUCTIONS (This instructions)

Safety Precautions	GB2
Important Information.....	GB5
Parts Names and Instructions	GB6
Cleaning & Care.....	GB8
Specifications	GB9

OPERATING MANUAL AND RECIPES (Separate volume) include:

- Bread-making ingredients
- Menu Charts and Baking Options
- Handling Instructions
- Recipes
- Troubleshooting

Safety Precautions Please make sure to follow these instructions.

To reduce the risk of personal injury, electric shock or fire, please observe the following:

- **The following signals indicate the degree of harm and damage when the appliance is misused.**

	WARNING: Indicates potential hazard that could result in serious injury or death.
--	--

	CAUTION: Indicates potential hazard that could result in minor injury or property damage.
--	--

- **The symbols are classified and explained as follows.**

	This symbol indicates prohibition.
--	------------------------------------

	This symbol indicates requirement that must be followed.
--	--

WARNING


To avoid risk of electric shock, fire due to short circuit, smoke, burn or injury.


- **Do not allow infants and children to play with packaging material.**
(It may cause suffocation.)

GB2



WARNING

-  ● **Do not disassemble, repair or modify this appliance.**
 - Consult the place of purchase or Panasonic service centre.
- **Do not damage the mains lead or mains plug.**

Following actions are strictly prohibited:
Modifying, touching on or placing near heating element or hot surfaces, bending, twisting, pulling, hanged/pulled over sharp edges, putting heavy objects on top, bundling the mains lead or carrying the appliance by the mains lead.
- **Do not use the appliance if the mains lead or mains plug is damaged or the mains plug is loosely connected to the household mains socket.**
 - If the mains lead is damaged, it must be replaced by the manufacturer, its service centre or similarly qualified person in order to avoid a hazard.
- **Do not plug or unplug the mains plug with wet hands.**
- **Do not immerse the appliance in water, or splash it with water and/or any liquid.**
- **Do not touch, block or cover the steam vent during use.**
 - Especially pay attention to children.
-  ● **This appliance can be used by children aged from 8 years and above and persons with reduced physical, sensory or mental capabilities, or lack of experience and knowledge if they have been given supervision or instruction concerning use of the appliance in a safe way and understand the hazards involved.**

Children shall not play with the appliance.
Cleaning and user maintenance shall not be made by children unless they are older than 8 and supervised.
- **Keep the appliance and its mains lead out of reach of children less than 8 years.**
- **Make sure the voltage indicated on the label of the appliance corresponds to your local supply.**

Also avoid plugging other devices into the same household mains socket to prevent electrical overheating. However, if you are connecting a number of mains plugs, make sure the total wattage does not exceed the rated wattage of the household mains socket.
- **Insert the mains plug firmly.**
- **Dust off the mains plug regularly.**
 - Unplug the mains plug, and wipe with a dry cloth.



Safety Precautions

Please make sure to follow these instructions.

⚠ WARNING

To avoid risk of electric shock, fire due to short circuit, smoke, burn or injury.



● **Discontinue using the appliance immediately and unplug in the unlikely event that this appliance stops working properly.**

Example for abnormal occurrences or breaking down:

- The mains plug and the mains lead become abnormally hot.
- The mains lead is damaged or the appliance power fails.
- The main body is deformed, has visible damage or is abnormally hot.
- There is abnormal turning noise while in use.
- There is unpleasant smell.
- There is another abnormality or failure.

→ Consult the place of purchase or Panasonic service centre for inspection or repair.

● **Do not use the appliance if the parts of the appliance is deformed or damaged such as having visible cracks or chips.**

→ Consult the place of purchase or Panasonic service centre for inspection or repair.

⚠ CAUTION

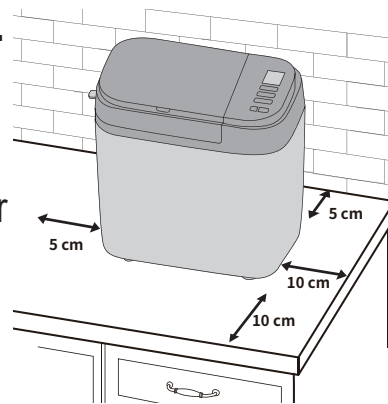
To avoid risk of electric shock, fire, burn, injury or property damage.



● **Do not use the appliance on following places.**

- On uneven surfaces, on electrical appliances such as a refrigerator, on materials such as tablecloths or on carpets, etc.
- Places where it may be splashed with water or near a heat source.

→ Position the appliance on a firm, dry, clean, flat heatproof worktop at least 10 cm from edge of worktop and at least 5 cm from adjacent walls and other objects.



● **Do not remove the bread pan or unplug the appliance during use.**



● **Do not use an external timer etc.**

- This appliance is not intended to be operated by means of an external timer or separate remote-control system.



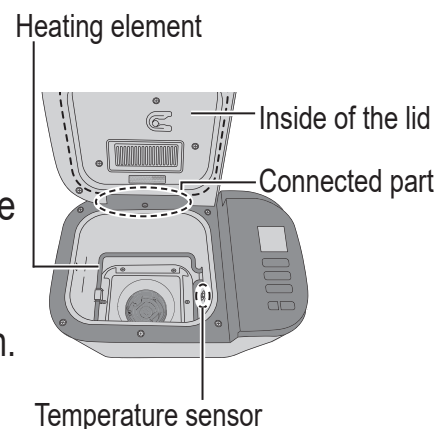
CAUTION

English

-  ● **Do not touch hot area such as bread pan, inside of unit, heating element or inside of the lid while the appliance is in use or immediately after use.**
The accessible surfaces may become hot during use. Be careful with the residual heat source especially after use.
→ To avoid burn, always use oven gloves to remove the bread pan or the finished bread. (Do not use wet oven gloves.)
- **Do not insert any object in the gaps.**
- **Do not exceed the maximum quantities of flour (600 g) and raising ingredients such as dry yeast (7 g) or baking powder (13 g). (See P. GB9)**
-  ● **Unplug the mains plug when the appliance is not in use.**
- **Make sure to hold the mains plug when unplugging it. Never pull on the mains lead.**
- **Before handling, moving or cleaning, unplug the appliance and allow it to cool down.**
- **This appliance is intended for household use only.**
- **Ensure to clean the appliance especially surfaces in contact with food after use. (See P. GB8)**

Important Information

- Do not use the appliance outdoors, in rooms of high humidity, or use excessive force on the parts as is illustrated on the right to avoid malfunction or deformation.
- Do not use a knife or any other sharp tool to remove residues.
- Do not drop the appliance to avoid damaging it.
- Do not store any ingredients or bread in the bread pan.



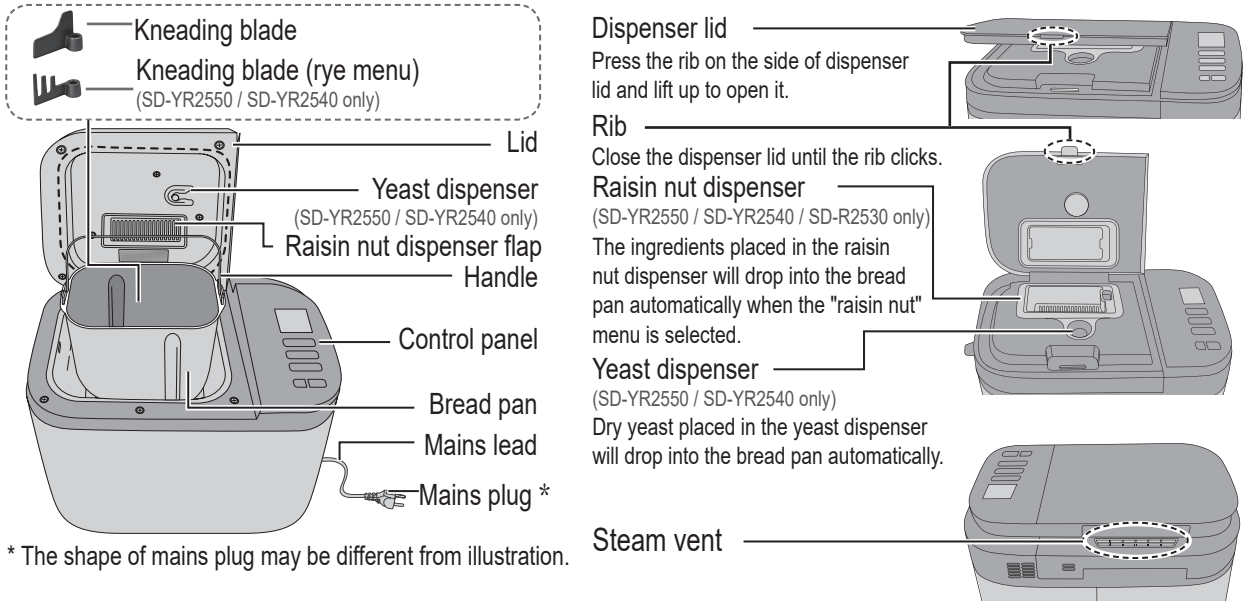
This symbol on the appliance indicates “Hot surface and should not be touched without caution”.

GB5

Parts Names and Instructions

Main Unit

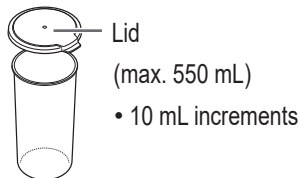
- Illustration of product in this instructions are exemplified by SD-YR2550



Accessories

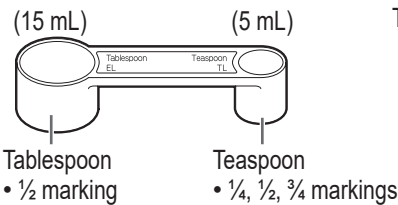
Sourdough cup (SD-B2510: Measuring cup)

To measure out liquids or make sourdough starter.



Measuring spoon

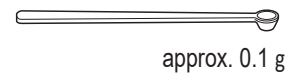
To measure out sugar, salt, dry yeast, etc.



Sourdough starter spoon

(For SD-YR2550 / SD-YR2540 / SD-R2530 only)

To measure out sourdough starter yeast.



Bread pan and kneading blade are coated with a non-stick finish to avoid stains and to make it easier when removing bread.

■ To avoid damaging it, please follow the instructions below.

- Do not use hard utensils such as a knife or a fork when removing the bread from the bread pan. If the bread cannot be easily removed from the bread pan, leave the bread pan for 5 – 10 minutes to cool, making sure that it is not left unattended where somebody or something may get burnt. After that, shake the bread pan several times using oven gloves. (See step 8 of "Baking Bread" in "Operating Instructions and Recipes") (Hold the handle down so that it does not get in the way of bread.)
- Ensure that the kneading blade is not embedded in the bread loaf before slicing it. If it is embedded, wait for the loaf to cool and remove it. (Do not use hard or sharp utensils such as a knife or a fork.) Be careful not to get burn as the kneading blade may still be hot.
- Use the soft sponge when cleaning the bread pan and the kneading blade. Do not use anything abrasive such as cleansers or scouring pads.
- Hard, coarse or large ingredients such as flours with whole or ground grains, sugar, or the addition of nuts and seeds may damage non-stick finish coating. If using large chunks of ingredient, break or cut into small pieces. Please follow the information of **Additional Ingredients** (see "Additional Ingredients" in "Operating Instructions and Recipes") and the recipe quantities stated.
- Use only supplied kneading blade for this appliance.

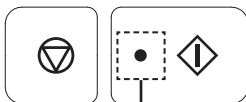
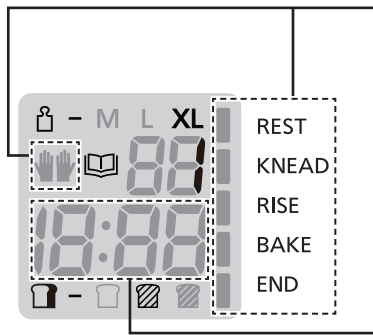


The bread pan, kneading blade and bread may be very hot after baking. Always handle with care.



Control Panel and Display

- Picture shows all words and symbols, but only those relevant will be displayed during operation.



- Stop**
 To cancel the setting/stop the program.
 (Hold for approximately 1 second.)

- Start**
 Press this button to start the program.

● Status indicator

- Flash indicates that the machine is in set state or manual operation is required.
 ◆ button can be pressed.
- Always light indicates that the machine is in program execution state.
 ◆ button cannot be pressed.
 It will not turn on even plugged in.

■ Operation status

Displayed for the current stage of the program except .

: Provide an indication of doing manual operation.

(See "Menu Chart and Baking Options" for available menu in "Operating Instructions & Recipe".)

■ Time showing

- Time remaining until ready.
- Menu required some manual steps, display will show the remaining time until starting its process after press button.

■ Menu

- Press or once to be a setting mode.
- Press or again to change Menu number.
 (To advance more quickly, hold the button.) (See "Menu Chart and Baking Options" for menu number in "Operating Instructions & Recipe".)

■ Size

Press this button to choose size. (See "Menu Chart and Baking Options" for available menu in "Operating Instructions & Recipe".)



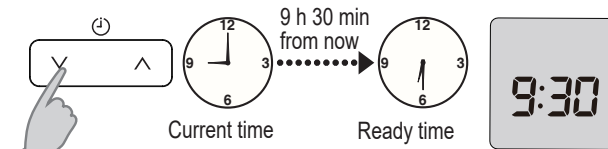
■ Crust

Press this button to choose crust colour. (See "Menu Chart and Baking Options" for available menu in "Operating Instructions & Recipe".)



■ Timer

- Set delay timer (time until bread is ready).
 For available menu, it can be set up to 13 hours (except menu sourdough only set up to 9 hours). (See "Menu Chart and Baking Options" in "Operating Instructions & Recipe".)
 e.g.: It is 9:00 PM now, and you want the bread to be ready at 6:30 the next morning.
 → Set the timer to **9:30** (9 hours and 30 minutes from now).



● Setting time for Sweet Menus:

"" press this button to increase the time.

"" press this button to decrease the time.

(To advance more quickly, press this button once then hold it.)

- Menu "Cake"

Pressing the button once will advance the additional baking time by 1 minute.

- Menu "Bake Only"

Pressing the button once will advance the baking time including additional baking time by 1 minute.

- Menu "Jam" and "Compote"

Pressing the button once will advance the cooking time by 10 minutes but additional cooking time will be by 1 minute.

Cleaning & Care

Before cleaning, unplug the machine and allow it to cool down.

■ To avoid damaging the machine.

- Do not use anything abrasive. (cleansers, scouring pads etc)
- Do not wash any part of the machine in the dishwasher.
- Do not use benzene, thinners, alcohol, or bleach.
- After rinsing the washable parts, wipe with cloth.
Always keep all parts clean and dry.

Bread pan & Kneading blade

Remove any leftover dough. Wash with a soft sponge and dry it thoroughly.

- Do not submerge the bread pan in water.
- If difficult to remove the kneading blade, pour warm water into the bread pan and wait 5–10 minutes. (Do not leave it for too long time.)
Do not put warm water with soap in the bread pan.

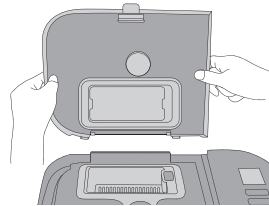
Exterior & Steam vent

- Wipe with a damp cloth.

Dispenser lid (SD-YR2550 / SD-YR2540 / SD-R2530 only)

Remove and wash with water.
Dry it completely especially the yeast dispenser lid.

- Raise the dispenser lid to an angle of approximately 75 degrees. Align the connections and pull it in an upward direction to remove or push carefully back at the same angle to attach. (Wait until the machine has cooled down first, because it will be very hot immediately after use.)
- Take care not to damage or pull the seal. (Damage could lead to leakage of steam, condensation or deformation.)

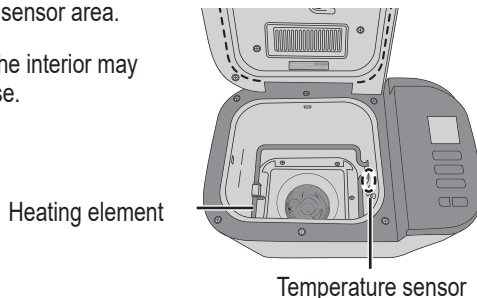


Interior

Remove the food residues.

Use a damp cloth to wipe inside of machine except heating element and temperature sensor area.

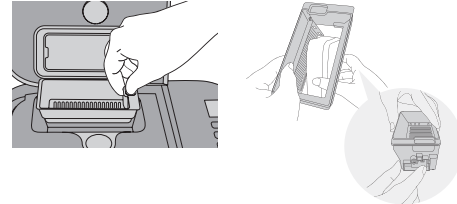
- The colour of the interior may change with use.



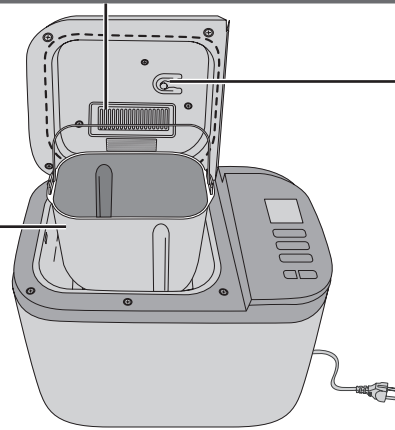
Raisin nut dispenser

(SD-YR2550 / SD-YR2540 / SD-R2530 only)

Remove and wash with water.



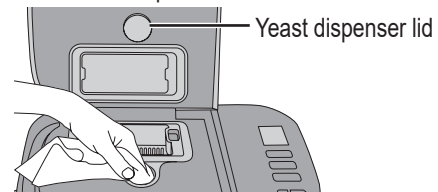
- Wash after each use to remove any residue.



Yeast dispenser (SD-YR2550 / SD-YR2540 only)

Wipe with a damp cloth and dry naturally.

- If wipe with a dry cloth, dry yeast will not drop into the bread pan due to static.



Yeast dispenser lid (SD-YR2550 / SD-YR2540 only)

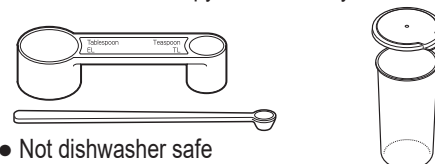
Wipe with dry cloth when it is wet.

Measuring spoon & Sourdough Starter spoon (SD-YR2550 / SD-YR2540 only)

Wash with water.

Sourdough cup (SD-B2510: Measuring cup)

Wash with warm soapy water and dry well.



- Not dishwasher safe



Specifications

	SD-YR2550	SD-YR2540	SD-R2530	SD-B2510
Power supply	230 V ~ 50 Hz			
Power consumption	550 W			
Capacity	(Strong flour for a loaf)	max. 600 g	min. 400 g	
	(Strong flour for a dough)	max. 600 g	min. 250 g	
	(Dry yeast)	max. 7 g	min. 1.4 g	
	(Baking powder)	max. 13 g	min. 10 g	
Capacity of raisin nut dispenser	Max. 150 g dried fruits / nuts			—
Timer	Digital timer (up to 13 hours)			
Dimensions (W × H × D)	Approx. 40.8 × 36.2 × 25.2 cm			
Weight	Approx. 7.5 kg	Approx. 7.5 kg	Approx. 7.0 kg	Approx. 6.5 kg
Accessories	1 sourdough cup, 1 measuring spoon, 1 sourdough starter spoon			1 measuring cup, 1 measuring spoon
Airborne acoustical noise [dB(A) ref 1 pW]	60.68	60.68	58.68	58.68

Disposal of Old Equipment

Only for European Union and countries with recycling systems.

This symbol on the products, packaging, and / or accompanying documents means that used electrical and electronic products must not be mixed with general household waste.

For proper treatment, recovery and recycling of old products, please take them to applicable collection points in accordance with your national legislation.



By disposing of them correctly, you will help to save valuable resources and prevent any potential negative effects on human health and the environment.

For more information about collection and recycling, please contact your local authority.

Penalties may be applicable for incorrect disposal of this waste, in accordance with national legislation.



Vielen Dank, dass Sie sich für dieses Panasonic Produkt entschieden haben.

- Für dieses Produkt gibt es 2 Anleitungen. Dies ist die "BEDIENUNGSANLEITUNG". Darüber hinaus gibt es die "GEBRAUCHSANWEISUNG UND REZEPTE". Bitte lesen Sie zur richtigen und sicheren Benutzung des Produktes aufmerksam beide Anleitungen.
- Beachten Sie bitte vor Benutzung des Produktes **unbedingt die Anweisungsabschnitte Sicherheitsvorkehrungen (S. DE2 – DE5) und Wichtige Informationen (S. DE5)**.
- Bitte bewahren Sie die Anleitungen zum künftigen Nachschlagen auf.
- Panasonic haftet nicht für unsachgemäßen Gebrauch des Geräts oder Missachtung der hier angeführten Anweisungen.

Inhalt

BEDIENUNGSANLEITUNG (in diesem Heft)

Sicherheitsvorkehrungen	DE2
Wichtige Informationen.....	DE5
Erklärung der Teile und Bedienfeld	DE6
Reinigung & Pflege.....	DE8
Technische Daten	DE9

GEBRAUCHSANWEISUNG UND REZEPTE (Separates Dokument) umfasst:

- Zutaten der Brotherstellung
- Tabelle mit Menüs und Backoptionen
- Gebrauchsanweisung
- Rezepte
- Fehlerbehebung

Sicherheitsvorkehrungen Bitte befolgen Sie diese Anweisungen.

Bitte halten Sie zur Reduzierung der Verletzungs-, Stromschlag- und Brandgefahr Folgendes ein:

■ **Die folgenden Signale zeigen das Ausmaß der Gefahren und Schäden, wenn das Gerät falsch verwendet wird.**

	WARNUNG:	Zeigt potentielle Gefahr an, die zu schweren Verletzungen oder zum Tod führen könnte.
	VORSICHT:	Zeigt potentielle Gefahr an, die zu leichten Verletzungen oder Sachschäden führen könnte.

■ **Die Symbole werden wie folgt kategorisiert und erläutert.**

Dieses Symbol weist auf ein Verbot hin.	Dieses Symbol weist auf eine erforderliche Anweisung hin, die befolgt werden muss.

WARNUNG

Zur Vermeidung von Stromschlägen, kurzschlussbedingten Bränden, Rauchbildung, Verbrennungen oder Verletzungen.

- **Lassen Sie Kleinkinder oder Kinder nicht mit dem Verpackungsmaterial spielen.**
(Dies kann zur Erstickung führen.)

DE2



WARNUNG



- **Demontieren, reparieren oder modifizieren Sie niemals dieses Gerät.**
→ Wenden Sie sich an den Verkäufer oder ein Panasonic Servicecenter.
- **Vermeiden Sie Beschädigungen des Netzkabels oder des Netzsteckers.**
Folgende Handlungen sind streng untersagt:
Das Netzkabel darf nicht modifiziert, in der Nähe oder an Heizelementen oder heißen Oberflächen verlegt, verdreht, verbogen, gezogen oder über scharfe Kanten gehängt / gezogen werden. Stellen Sie keine schweren Gegenstände darauf ab, wickeln Sie es nicht um das Gerät und verwenden Sie es nicht zum Transportieren des Gerätes.
- **Verwenden Sie das Gerät nicht, wenn das Netzkabel oder der Netzstecker beschädigt ist oder der Netzstecker nur lose mit der Steckdose verbunden ist.**
→ Sofern das Netzkabel beschädigt ist, muss es zur Vermeidung von Gefahren durch den Hersteller, dessen Kundendienst oder eine gleichermaßen qualifizierte Person ausgewechselt werden.
- **Den Netzstecker nicht mit nassen Händen einstecken oder abziehen.**
- **Tauchen Sie das Gerät nicht in Wasser, bespritzen Sie es nicht mit Wasser oder anderen Flüssigkeiten.**
- **Die Dampfzugsöffnungen dürfen während der Verwendung nicht berührt, blockiert oder abgedeckt werden.**
 - Achten Sie insbesondere auf Kinder.



- **Dieses Gerät ist für Kinder ab 8 Jahre und Personen mit eingeschränkten physischen, sensorischen oder psychischen Fähigkeiten bzw. ohne jegliche Erfahrung oder Vorwissen nur dann geeignet, wenn eine angemessene Aufsicht oder ausführliche Anleitung zur Benutzung des Geräts sichergestellt wurde und sie die möglichen Gefahren kennen.**
Kinder dürfen nicht mit dem Gerät spielen.
Die Reinigung und Wartung dürfen nicht von Kindern vorgenommen werden, es sei denn, sie sind älter als 8 Jahre und werden dabei beaufsichtigt.
- **Bewahren Sie das Gerät und sein Netzkabel immer außerhalb der Reichweite von Kindern unter 8 Jahren auf.**
- **Stellen Sie sicher, dass die auf dem Typenschild des Geräts angegebene Stromspannung der örtlichen Stromversorgung entspricht.**
Das Einstecken anderer Geräte in die gleiche Steckdose kann zu elektrischer Überhitzung führen. Wenn Sie jedoch mehrere Netzstecker anschließen, stellen Sie sicher, dass die Gesamtwattzahl nicht die angegebene Wattzahl der Steckdose überschreitet.
- **Stecken Sie den Netzstecker fest ein.**
- **Der Netzstecker sollte regelmäßig entstaubt werden.**
→ Ziehen Sie den Netzstecker ab und wischen Sie ihn mit einem trockenen Tuch ab.

! WARNUNG

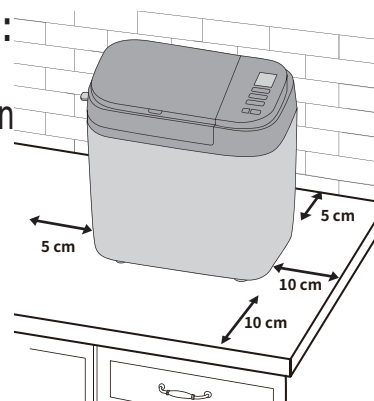
Zur Vermeidung von Stromschlägen, kurzschlussbedingten Bränden, Rauchbildung, Verbrennungen oder Verletzungen.

- ! ● **Sollte das Gerät nicht mehr ordnungsgemäß funktionieren, verwenden Sie es nicht mehr, und ziehen Sie den Netzstecker.**
z. B. bei Fehlfunktionen oder Ausfall:
 - Der Netzstecker und das Netzkabel erhitzen sich über das normale Maß.
 - Das Netzkabel ist beschädigt oder es liegt ein Stromausfall vor.
 - Das Gerätegehäuse ist verformt, sichtbar beschädigt oder erhitzt sich über das normale Maß.
 - Es kommt zu ungewöhnlichen Drehgeräuschen beim Gebrauch des Geräts.
 - Es entsteht unangenehmer Geruch.
 - Es besteht eine andere Abnormalität oder Störung.→ Wenden Sie sich an die Verkaufsstelle oder das Panasonic-Service-Center für eine Überprüfung oder Reparatur.
- **Verwenden Sie das Gerät nicht, wenn die Geräteteile deformiert oder beschädigt ist, wie beispielsweise sichtbare Risse oder Späne aufweist.**
→ Wenden Sie sich an die Verkaufsstelle oder das Panasonic-Service-Center für eine Überprüfung oder Reparatur.

! VORSICHT

Zur Vermeidung von Stromschlägen, Bränden, Verbrennungen, Verletzungen und Sachschäden.

- ⊘ ● **Nutzen Sie das Gerät nicht an folgenden Orten:**
 - Auf unebenem Untergrund, auf elektrischen Geräten, wie einem Kühlschrank, auf Textilien, wie Tischdecken oder Teppichen usw.
 - Stellen, an denen die Gefahr von Spritzwasser besteht oder die sich in der Nähe einer Wärmequelle befinden.→ Stellen Sie das Gerät auf einer festen, trockenen, sauberen, flachen, hitzebeständigen Arbeitsfläche auf. Der Abstand zur Kante der Arbeitsfläche muss mindestens 10 cm, die Entfernung zu anliegenden Wänden und Gegenständen mindestens 5 cm betragen.



- **Entnehmen Sie nicht die Backform und trennen Sie das Gerät nicht vom Netz, während es verwendet wird.**
- **Verwenden Sie keine externe Zeitschaltuhr usw.**
 - Dieses Gerät ist nicht für den Betrieb mit externen Zeitschaltuhren oder separaten Fernbedienungen gedacht.



VORSICHT



- **Berühren Sie während der Verwendung oder direkt nach dem Backen / Kochen keine heißen Bereiche wie die Backform, die Innenseite des Geräts, das Heizelement oder die Innenseite des Deckels.**

Die zugänglichen Oberflächen können im Betrieb heiß werden. Seien Sie aufgrund der Resthitze – insbesondere unmittelbar nach der Benutzung – entsprechend vorsichtig.

→ Um Verbrennungen zu vermeiden, verwenden Sie beim Herausnehmen der Backform und des fertigen Brotes immer Ofenhandschuhe. (Verwenden Sie keine nassen Ofenhandschuhe.)

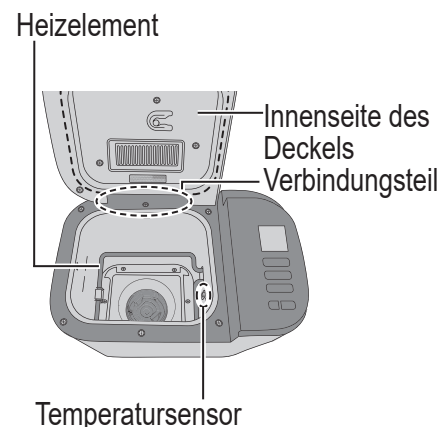
- **Stecken Sie keine Gegenstände in die Zwischenräume.**
- **Nicht die Höchstmengen für Mehl (600 g) und Backtriebmittel wie z.B. Trockenhefe (7 g) oder Backpulver (13 g) überschreiten. (Siehe S. DE9)**



- **Ziehen Sie den Netzstecker, wenn das Gerät nicht verwendet wird.**
- **Vergewissern Sie sich, dass Sie den Netzstecker festhalten, wenn Sie ihn aus der Steckdose ziehen. Niemals direkt am Netzkabel ziehen.**
- **Gerät vor Handhabung, Transport und Reinigung vom Stromnetz trennen und abkühlen lassen.**
- **Dieses Produkt ist nur für den Haushaltsgebrauch vorgesehen.**
- **Das Gerät nach Gebrauch reinigen, insbesondere Oberflächen, die mit Nahrungsmitteln in Kontakt kommen. (Siehe S. DE8)**

Wichtige Informationen

- **Verwenden Sie das Gerät nicht im Freien oder in besonders feuchten Räumen. Üben Sie keinen übermäßigen Druck auf die rechts abgebildeten Teile aus, damit es nicht zu Fehlfunktionen oder Verformungen kommt.**
- **Verwenden Sie kein Messer oder andere scharfkantige Werkzeuge, um Rückstände zu entfernen.**
- **Das Gerät nicht fallen lassen, um Beschädigungen zu vermeiden.**
- **Bewahren Sie Zutaten und Brot nicht in der Backform auf.**



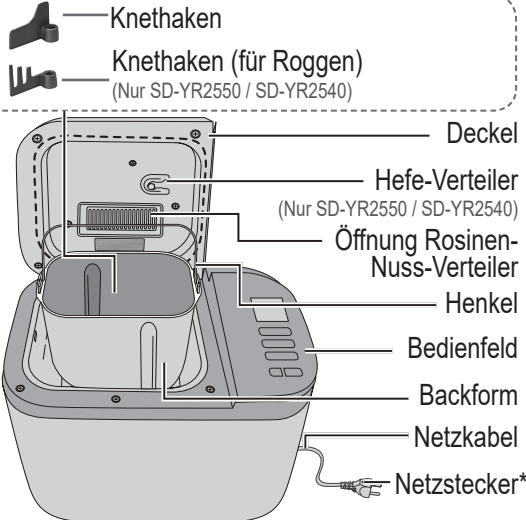
Dieses Symbol auf dem Produkt bedeutet „Heiße Oberfläche“. Sie sollte nicht ohne Vorsicht berührt werden.

DE5

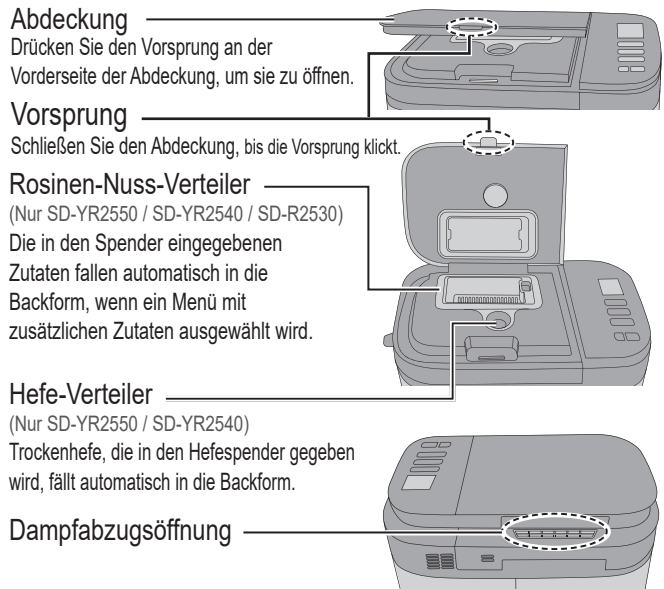
Erklärung der Teile und Bedienfeld

Hauptgerät

- Produktabbildungen in dieser Anleitung sind beispielhaft für SD-YR2550



* Die Netzsteckerform kann von der Abbildung abweichen.



Abdeckung
Drücken Sie den Vorsprung an der Vorderseite der Abdeckung, um sie zu öffnen.

Vorsprung
Schließen Sie den Abdeckung, bis die Vorsprung klickt.

Rosinen-Nuss-Verteiler
(Nur SD-YR2550 / SD-YR2540 / SD-R2530)
Die in den Spender eingegebenen Zutaten fallen automatisch in die Backform, wenn ein Menü mit zusätzlichen Zutaten ausgewählt wird.

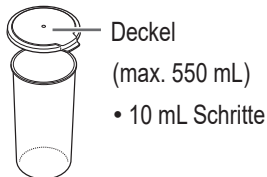
Hefe-Verteiler
(Nur SD-YR2550 / SD-YR2540)
Trockenhefe, die in den Hefespender gegeben wird, fällt automatisch in die Backform.

Dampfabzugsöffnung

Zubehör

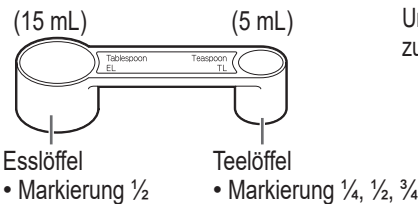
Sauerteig-Becher (SD-B2510: Messbecher)

Zum Abmessen von Flüssigkeiten / zum Ansetzen einer Sauerteig Starterkultur.



Messlöffel

Zum Abmessen von Zucker, Salz, Hefe u.s.w.



Sauerteig Starterkultur-Löffel

(für SD-YR2550 / SD-YR2540 / SD-R2530)

Um die Hefe der Sauerteig-Starterkultur zu dosieren.



Brotbehälter und Knethaken sind mit einer Antihafbeschichtung versehen, die der Vermeidung von Flecken und dem einfachen Entnehmen des Brotes dient.

■ Um eine Beschädigung dieser Beschichtung zu vermeiden, beachten Sie folgende Anweisungen.

- Verwenden Sie zum Entfernen des Brotes aus dem Behälter keine harten Gegenstände wie z.B. Messer oder Gabel. Wenn das Entfernen des Brotes aus dem Brotbehälter Schwierigkeiten bereitet, lassen Sie den Brotbehälter 5 bis 10 Minuten abkühlen, jedoch nicht unbeaufsichtigt, falls die Gefahr besteht, dass andere Personen oder Gegenstände Verbrennungen erleiden können. Danach den Behälter mit Topflappen anfassen und ein paar Mal schütteln. (Siehe Schritt 8 von „Brot backen“ in „GEBRAUCHSANWEISUNG UND REZEPTE“) (Den Griff dabei nach unten halten, so dass er dem Brot nicht im Weg ist.)
- Vergewissern Sie sich, dass der Knethaken sich nicht im Brotlaib befindet, bevor Sie diesen anschneiden. Befindet er sich im Brotlaib, dann lassen Sie diesen vor dem Entfernen des Knethakens abkühlen. (Keine harten Gegenstände wie Messer oder Gabel verwenden.) Vorsicht vor Verbrennungen durch den möglicherweise noch heißen Knethaken.
- Reinigen Sie Brotbehälter und Knethaken mit einem weichen Schwamm. Verwenden Sie keine Scheuermittel, Reiniger usw.
- Harte, grobe oder große Zutaten, wie Mehl mit ganzen oder gemahlene Körnern, Zucker, oder die Zugabe von Nüssen und Kernen können die Antihafbeschichtung der Backform beschädigen. Sollen große Klumpen einer Zutat verwendet werden, brechen Sie diese in kleine Stücke auf. Bitte beachten Sie die Angaben zu den zusätzlichen Inhaltsstoffen (siehe „Zusätzliche Inhaltsstoffe“ in „GEBRAUCHSANWEISUNG UND REZEPTE“) und die angegebenen Rezeptmengen.
- Bei diesem Gerät nur den mitgelieferten Knethaken benutzen.

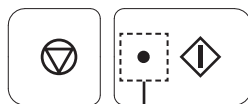
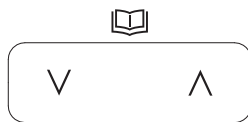
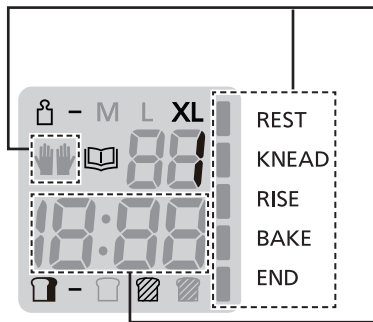


Die Backform, der Knethaken und das Brot können nach dem Backen sehr heiß sein. Lassen Sie stets Vorsicht walten.



Bedienfeld und Display

Im Folgenden finden Sie eine Aufzählung aller möglichen Symbole und Wörter. Während des Betriebs werden nur die gerade relevanten angezeigt.



Stop

Zum Abbrechen der Einstellung / zum Stoppen des Programmes. (Etwa 1 Sekunde gedrückt halten.)

Start

Drücken Sie diese Taste zum Starten des Programmes.

Statusanzeige

- Ein Blinken zeigt an, dass sich das Gerät im eingestellten Zustand befindet oder ein manueller Betrieb erforderlich ist. Die Start-Taste kann gedrückt werden.
- Dauerhaftes Leuchten zeigt an, dass sich das Gerät im Programmausführungsmodus befindet. Die Start-Taste kann nicht gedrückt werden. Es kann nicht eingeschaltet werden, auch wenn der Stecker eingesteckt ist.

Betriebszustand

Wird für die aktuelle Programmphase angezeigt, mit Ausnahme von den Hand-Symbolen. Hand-Symbole: Hinweis zur manuellen Bedienung. (Siehe „Tabelle mit Menüs und Backoptionen“ für das verfügbare Menü in „GEBRAUCHSANWEISUNG UND REZEPTE“.)

Zeitanzeige

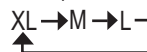
- Verbleibende Zeit bis zur Fertigstellung.
- Einige Menüs erfordern manuelle Schritte. Nachdem erneutes Start drücken, zeigt das Display die verbleibende Zeit bis zum Fortsetzen des Backvorgangs an.

Menü

- Drücken Sie die Up- oder Down-Taste einmal als Einstellungsmodus.
- Drücken Sie die Up- oder Down-Taste erneut, um die Menünummer zu ändern. (Um schneller vorzugehen, halten Sie die Taste gedrückt.) (Siehe „Tabelle mit Menüs und Backoptionen“ für das verfügbare Menü in „GEBRAUCHSANWEISUNG UND REZEPTE“.)

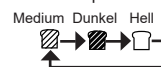
Brotgröße

Drücken Sie diese Taste zur Auswahl der Brotgröße. (Siehe „Tabelle mit Menüs und Backoptionen“ für das verfügbare Menü in „GEBRAUCHSANWEISUNG UND REZEPTE“.)



Bräunung

Drücken Sie diese Taste zur Auswahl des Bräunungsgrads. (Siehe „Tabelle mit Menüs und Backoptionen“ für das verfügbare Menü in „GEBRAUCHSANWEISUNG UND REZEPTE“.)



Zeitvorwahl

- Stellen Sie die Zeitvorwahl ein (Zeit der Fertigstellung). Kann bei unterstützten Menüs auf bis zu 13 Stunden eingestellt werden (bei Menü „Sauerteigbrot“ auf maximal 9 Stunden). (Siehe „Tabelle mit Menüs und Backoptionen“ für das verfügbare Menü in „GEBRAUCHSANWEISUNG UND REZEPTE“.) z.B.: Es ist jetzt 21:00 und Sie möchten Ihr Brot am nächsten Morgen um 6:30. -> Stellen Sie die Zeitvorwahl auf 9:30 (9 Stunden 30 Minuten ab jetzt).



- Zeit für süße Menüs einstellen:

„Up“ Drücken Sie diese Taste, um die Zeit zu verlängern.

„Down“ Drücken Sie diese Taste, um die Zeit zu verkürzen.

(Um schneller vorzugehen, halten Sie die Taste einfach gedrückt.)

- Menü „Kuchen“

Wenn Sie die Taste einmal drücken, wird die Backzeit um 1 Minute verlängert.

- Menü „Nur backen“

Mit einmaligem Drücken des Knopfes verändert sich die Backzeit einschließlich der zusätzlichen Backzeit um 1 Minute.

- Menü „Marmelade“ und „Kompott“

Mit einmaligem Drücken des Knopfes verändert sich die Kochzeit um 10 Minuten, die zusätzliche Kochzeit beträgt aber nur 1 Minute.

Reinigung & Pflege

Vor der Reinigung ziehen Sie den Netzstecker und lassen Sie das Gerät abkühlen.

Um das Gerät vor Schäden zu bewahren.

- Verwenden Sie keine schmirgelnden Gegenstände. (Scheuermilch, Scheuerpads u.s.w.)
- Reinigen Sie kein Teil des Maschine in der Spülmaschine.
- Verwenden Sie kein Benzin, keine Verdüner, keinen Alkohol und keine Bleichmittel.
- Nach dem Abspülen der abwaschbaren Teile mit einem trockenen Tuch nachwischen.
Die Teile des Maschine immer sauber und trocken halten.

Backform & Knethaken

Alle Teigreste entfernen, mit einem weichen Schwamm oder Backpinsel säubern und dann gründlich trocknen.

- Die Backform nicht in Wasser tauchen.
- Falls sich der Knethaken nicht ohne Weiteres entfernen lässt, geben Sie warmes Wasser in die Backform und warten Sie 5 bis 10 Minuten. (Lassen Sie es nicht zu lange stehen.) Geben Sie kein warmes Seifenwasser in die Brotform.

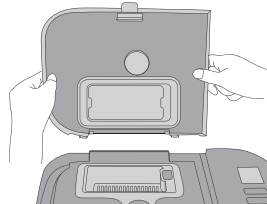
Außen & Dampfzugsöffnung

- Mit einem feuchten Tuch abwischen.

Abdeckung (Nur SD-YR2550 / SD-YR2540 / SD-R2530)

Entfernen und mit Wasser waschen. Anschließend gründlich abtrocknen, insbesondere den Deckel des Hefespenders.

- Die Abdeckung auf einen Winkel von ca. 75 Grad anheben. Richten Sie die Verbindungen aus. Zum Entfernen nach oben ziehen, zum Wiedereinsetzen vorsichtig in demselben Winkel wieder nach unten drücken.

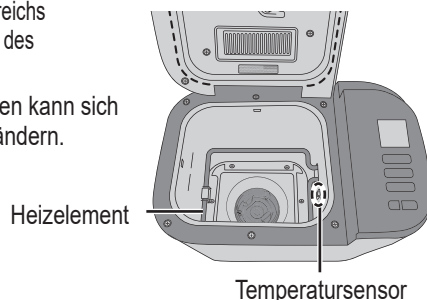


(Erst warten bis die Maschine abgekühlt ist, weil sie sofort nach der Verwendung sehr heiß ist.)

- Achten Sie darauf, die Dichtung weder zu beschädigen noch zu ziehen. (Eine Beschädigung führt zum Entweichen von Dampf, Kondensation oder Verformung.)

Innen

- Entfernen Sie die Speisereste.
- Wischen Sie das Innere der Maschine mit einem feuchten Tuch ab, mit Ausnahme des Bereichs des Heizelements und des Temperatursensors.
- Die Farbe des Inneren kann sich mit dem Gebrauch ändern.



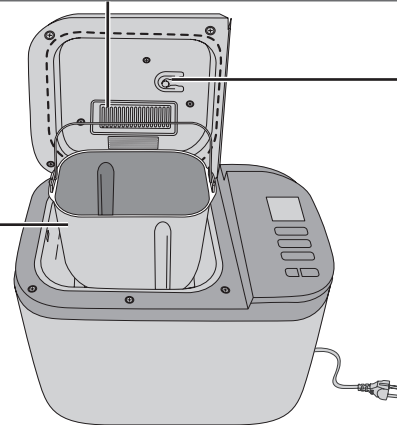
Rosinen-Nuss-Verteiler

(Nur SD-YR2550 / SD-YR2540 / SD-R2530)

Entfernen und mit Wasser waschen.



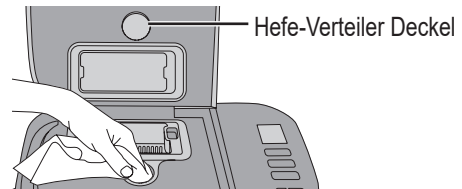
- Nach jeder Verwendung waschen, um alle Rückstände zu entfernen.



Hefe-Verteiler (Nur SD-YR2550 / SD-YR2540)

Wischen Sie den Spender mit einem feuchten Lappen ab, und lassen Sie ihn trocknen.

- Wenn Sie ihn mit einem trockenen Lappen abwischen, fällt die Hefe nicht in die Backform, weil sie statisch geladen ist.



Hefe-Verteiler Deckel (Nur SD-YR2550 / SD-YR2540)

Wischen Sie den Deckel mit einem trockenen Tuch ab, wenn der Deckel feucht ist.

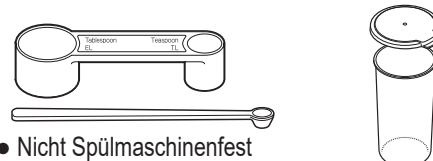
Messlöffel & Sauerteig Starterkultur-Löffel

(Nur SD-YR2550 / SD-YR2540)

Mit Wasser abwaschen.

Sauerteig-Becher (SD-B2510: Messbecher)

Mit warmem Seifenwasser waschen und gut abtrocknen.



- Nicht Spülmaschinenfest



Technische Daten

	SD-YR2550	SD-YR2540	SD-R2530	SD-B2510
Stromversorgung	230 V ~ 50 Hz			
Leistungsaufnahme	550 W			
Kapazität	(Mehl für ein Brot)	max. 600 g	min. 400 g	
	(Mehl für einen Teig)	max. 600 g	min. 250 g	
	(Trockenhefe)	max. 7 g	min. 1,4 g	
	(Backpulver)	max. 13 g	min. 10 g	
Kapazität des Rosinen-Nuss-Verteilers	Max. 150 g Trockenfrüchte / Nüsse			–
Zeitvorwahl	Digitale Zeitschaltuhr (bis zu 13 Stunden)			
Abmessungen (B x H x T)	Ca. 40,8 x 36,2 x 25,2 cm			
Gewicht	Ca. 7,5 kg	Ca. 7,5 kg	Ca. 7,0 kg	Ca. 6,5 kg
Zubehör	1 Sauerteig-Becher, 1 Messlöffel, 1 Sauerteig Starterkultur-Löffel			1 Messbecher, 1 Messlöffel
Luftübertragenes akustisches Geräusch [dB(A) ref 1 pW]	60,68	60,68	58,68	58,68

Deutsch

Entsorgung von Altgeräten

Nur für die Europäische Union und Länder mit Recyclingsystemen.

Dieses Symbol, auf den Produkten, der Verpackung und / oder den Begleitdokumenten, bedeutet, dass gebrauchte elektrische und elektronische Produkte nicht in den allgemeinen Hausmüll gegeben werden dürfen.

Bitte führen Sie alte Produkte zur Behandlung, Aufarbeitung bzw. zum Recycling gemäß den gesetzlichen Bestimmungen den zuständigen Sammelpunkten zu.



Indem Sie diese Produkte ordnungsgemäß entsorgen, helfen Sie dabei, wertvolle Ressourcen zu schützen und eventuelle negative Auswirkungen auf die menschliche Gesundheit und die Umwelt zu vermeiden.

Für mehr Informationen zu Sammlung und Recycling, wenden Sie sich bitte an Ihren örtlichen Abfallentsorgungsdienstleister.

Gemäß Landesvorschriften können wegen nicht ordnungsgemäßer Entsorgung dieses Abfalls Strafgebühren verhängt werden.

DE9



Merci d'avoir acheté ce produit Panasonic.

- Pour ce produit, il y a 2 notices. Ceci est la «NOTICE D'UTILISATION». L'autre est le «MODE D'EMPLOI ET RECETTES». Veuillez lire attentivement les 2 notices pour utiliser le produit correctement et en toute sécurité.
- Avant d'utiliser ce produit, **veuillez prêter attention aux Consignes de sécurité (P. FR2 – FR5) et aux Informations importantes (P. FR5) du présent mode d'emploi.**
- Veuillez conserver les instructions pour une utilisation future.
- Panasonic décline toute responsabilité en cas de mauvaise utilisation de l'appareil ou tout manquement aux présentes consignes.

Contenu

MODE D'EMPLOI (Le présent mode d'emploi)

Consignes de sécurité	FR2
Informations importantes	FR5
Nomenclature et mode d'emploi	FR6
Nettoyage & Entretien	FR8
Caractéristiques techniques	FR9

MODE D'EMPLOI ET RECETTES (Volume séparé) inclut:


Ingrédients pour la fabrication du pain
Graphiques de menus et options de cuisson
Instructions d'utilisation
Recettes
Problèmes et solutions


Consignes de sécurité

Veuillez vous assurer de suivre ces instructions.


Pour réduire le risque de blessures, de choc électrique et d'incendie, veuillez respecter les instructions suivantes:


■ Les signaux suivants indiquent le degré de danger et de blessure potentiels si l'appareil est mal utilisé.

 **AVERTISSEMENT :** Indique un danger potentiel qui pourrait entraîner des blessures graves ou la mort.

 **ATTENTION:** Indique un danger potentiel susceptible de causer des blessures ou dommages matériels mineurs.

■ Les symboles sont classifiés et expliqués comme suit.

 Ce symbole indique une interdiction.

 Ce symbole indique les conditions préalables à suivre.

AVERTISSEMENT

Pour éviter tout risque de choc électrique, d'incendie consécutif à un court-circuit, de fumée, de brûlure ou de blessure.

-  ● **Ne pas laisser les nourrissons et les enfants jouer avec l'emballage.** (Cela peut causer un étouffement.)

FR2



AVERTISSEMENT



- **Ne pas démonter, réparer ou modifier cet appareil.**
→ Consultez votre revendeur ou un centre d'assistance Panasonic.
- **Ne pas endommager le cordon d'alimentation ou la prise.**
Les actions suivantes sont strictement prohibées:
Modifier, toucher ou placer à côté d'éléments chauffants ou de surfaces chaudes, courber, torsader, tirer, suspendre / tirer sur des bords tranchants, mettre des objets lourds sur le dessus, mettre en paquet le cordon d'alimentation ou porter l'appareil avec le cordon d'alimentation.
- **Ne pas utiliser l'appareil si le cordon d'alimentation ou la prise est endommagé (e) ou si la prise n'est pas correctement branchée à la prise murale.**
→ Si le cordon d'alimentation est endommagé, il doit être remplacé par le fabricant, son réparateur agréé ou une autre personne qualifiée afin d'éviter tout danger.
- **Ne pas brancher ou débrancher la prise avec les mains mouillées.**
- **Ne pas immerger l'appareil dans l'eau et ne pas l'éclabousser avec de l'eau et / ou un autre liquide.**
- **Ne touchez pas, ne bloquez pas ou ne couvrez pas la grille d'aération pendant l'utilisation.**
 - Faites tout particulièrement attention aux enfants.



- **Cet appareil peut être utilisé par des enfants âgés de 8 ans et plus et par des personnes avec des capacités physiques, sensorielles ou mentales réduites ou qui ne bénéficient pas de l'expérience et des connaissances adéquates, uniquement avec les conseils ou la supervision d'une personne responsable puissant leur assurer une utilisation de l'appareil sans danger.**
Ne laissez pas les enfants jouer avec l'appareil.
Le nettoyage et l'entretien de l'appareil ne seront pas effectués par des enfants, à moins qu'ils soient âgés d'au moins 8 ans et qu'ils soient supervisés.
- **Conservez l'appareil et son cordon d'alimentation hors de la portée des enfants âgés de moins de 8 ans.**
- **S'assurer que la tension indiquée sur l'étiquette de l'appareil correspond à votre alimentation locale.**
Éviter également de brancher d'autres appareils à la même prise murale pour empêcher une surchauffe électrique. Cependant, si vous connectez un certain nombre de prises, assurez-vous que la puissance totale ne dépasse pas la puissance nominale de la prise murale.
- **Insérez la prise fermement.**
- **Époussetez la prise régulièrement.**
→ Débrancher la prise, et la nettoyer avec un chiffon sec.

Consignes de sécurité

Veillez vous assurer de suivre ces instructions.

⚠ AVERTISSEMENT

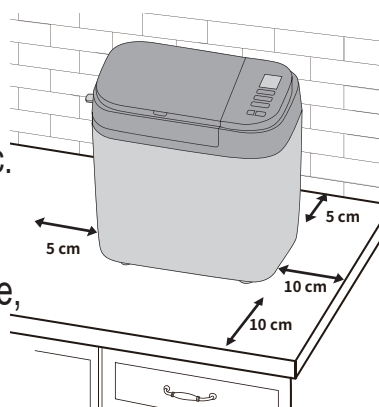
Pour éviter tout risque de choc électrique, d'incendie consécutif à un court-circuit, de fumée, de brûlure ou de blessure.

- **Arrêtez l'appareil immédiatement et débranchez-le si ce dernier cesse de fonctionner correctement.**
 - p. ex. pour quelque chose d'anormal ou une panne:
 - La prise et le cordon d'alimentation chauffent de manière anormale.
 - Le cordon d'alimentation est endommagé ou l'appareil n'est plus alimenté.
 - Le corps principal est déformé, présente des détériorations visibles ou est anormalement chaud.
 - Un bruit se fait entendre pendant l'utilisation.
 - Il y a une odeur désagréable.
 - Il y a une autre anomalie ou panne.
 - Consultez le revendeur ou un centre de revente agréé par Panasonic pour inspection ou réparation de l'appareil.
- **N'utilisez pas l'appareil si des pièces de l'appareil sont déformés ou endommagés, comme ayant des fissures visibles ou puces.**
 - Consultez le revendeur ou un centre de revente agréé par Panasonic pour inspection ou réparation de l'appareil.

⚠ ATTENTION

Pour éviter tout risque de choc électrique, d'incendie, de brûlure, de blessure ou de dégât sur vos biens.



- **N'utilisez pas l'appareil aux endroits suivants:**
 - Sur les surfaces irrégulières, sur les appareils électriques tels qu'un réfrigérateur, sur des matériaux tels que des nappes ou sur les tapis, etc.
 - Les endroits où il peut être éclaboussé par de l'eau ou près d'une source de chaleur.
 - Positionnez l'appareil sur un plan de travail stable, sec, propre, plat et résistant à la chaleur à au moins 10 cm du bord du plan de travail et à au moins 5 cm des murs adjacents et d'autres objets.



- **N'enlevez pas le moule à pain ou ne débranchez pas la machine à pain en cours d'utilisation.**
- **Ne pas utiliser avec un programmeur externe, etc.**
 - Cet appareil ne doit pas être utilisé avec un programmeur ou une télécommande séparée.



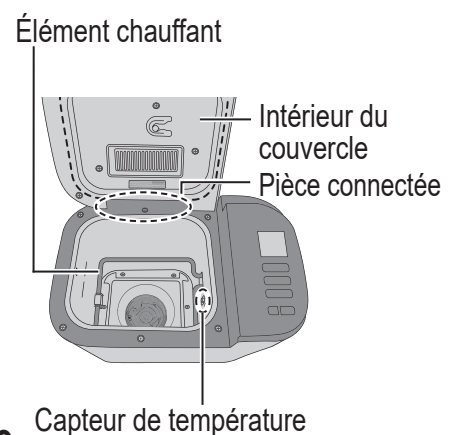
ATTENTION

-  ● **Ne touchez pas de zones sensibles telles que le moule à pain, l'intérieur de l'unité, l'élément chauffant ou l'intérieur du couvercle pendant que l'appareil est en service ou après la cuisson.**
Les surfaces accessibles peuvent devenir chaudes durant l'utilisation. Faites attention à la chaleur résiduelle, en particulier après utilisation.
→ Pour éviter toute brûlure, utilisez toujours des maniques ou des gants de protection pour enlever le moule à pain et le pain cuit. (N'utilisez pas de gants de cuisine humides)
- **Ne pas insérer d'objet dans les fentes.**
- **Ne dépassez pas les quantités maximales de farine (600 g) et des ingrédients de levage de pâte tels que la levure sèche (7 g) ou la poudre à lever (13 g). (Voir P. FR9)**
-  ● **Débranchez la prise d'alimentation lorsque l'appareil ne fonctionne pas.**
- **Assurez-vous de bien débrancher l'appareil en le tenant par la prise. Ne jamais tirer sur le cordon d'alimentation.**
- **Avant de le manipuler, le déplacer ou le nettoyer, débranchez l'appareil et laissez-lui le temps de refroidir.**
- **Ce produit est destiné aux particuliers uniquement.**
- **Assurez-vous de nettoyer l'appareil, en particulier les surfaces en contact avec les aliments après utilisation. (Voir P. FR8)**

Français

Informations importantes

- **N'utilisez pas l'appareil à l'extérieur ou dans des pièces très humides et n'exercez pas une force excessive sur les pièces comme illustré sur la droite pour éviter tout dysfonctionnement ou déformation.**
- **N'utilisez pas un couteau ou tout autre objet tranchant pour retirer les résidus de pâte.**
- **Ne pas laisser tomber l'appareil pour éviter de l'endommager.**
- **Ne stockez aucun ingrédient ou cordon dans le moule à pain.**



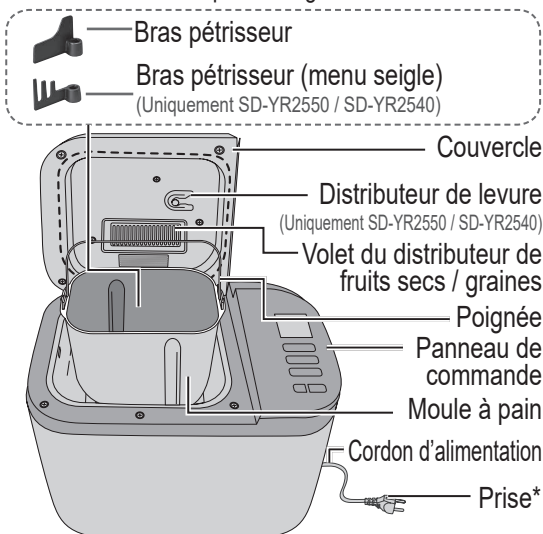
Ce symbole sur l'appareil indique "Surface brûlante, ne pas toucher sans précaution".

FR5

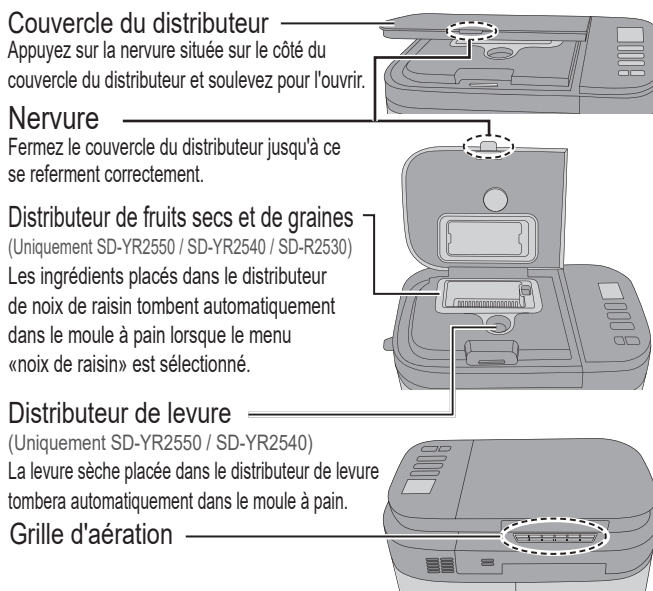
Nomenclature et mode d'emploi

Unité principale

- Les illustrations de produits figurant dans cette notice sont illustrées par SD-YR2550



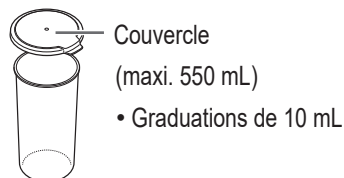
* La forme de la prise peut être différente de celle de l'illustration.



Accessoires

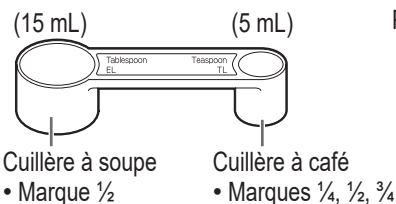
Gobelet à levain (SD-B2510: Verre doseur)

Pour mesurer les liquides, faire du levain



Cuillère doseuse

Permet de mesurer le sucre, le sel, la levure etc.



Cuillère à levain

(Uniquement SD-YR2550 / SD-YR2540 / SD-R2530)

Permet de mesurer le levain



Le moule à pain et le bras pétrisseur sont recouverts d'un revêtement antiadhésif non salissant et qui permet d'enlever le pain plus facilement.

■ Pour éviter de l'abîmer, veuillez suivre les instructions ci-après :

- Ne pas utiliser d'ustensiles comme un couteau ou une fourchette lorsque vous sortez le pain du moule à pain. Si le pain s'enlève difficilement du moule, laisser refroidir ce dernier pendant 5 à 10 minutes, en s'assurant qu'il ne reste pas sans surveillance, pour éviter toute brûlure. Secouer alors le moule à plusieurs reprises, pour ce faire, utiliser une manique. (Voir l'étape 8 de la rubrique «Cuisson du pain» dans «MODE D'EMPLOI ET RECETTES»)(Tenir la poignée vers le bas pour qu'elle n'empêche pas de sortir le pain.)
- S'assurer que le bras pétrisseur n'est pas pris dans la miche de pain, avant de couper celle-ci. S'il est pris dans la miche de pain, attendre que celle-ci refroidisse et l'enlever. (Ne pas utiliser des ustensiles coupants ou pointus comme un couteau ou une fourchette.) Faites attention de ne pas vous brûler car le bras pétrisseur risque d'être encore chaud.
- Nettoyez le moule à pain et le bras pétrisseur à l'aide d'une éponge souple. Ne pas utiliser de matières abrasives comme des détergents ou des tampons à récurer.
- Des ingrédients durs ou à gros grains comme les farines contenant des grains entiers ou moulus, le sucre ou l'ajout de fruits secs et de graines peuvent endommager le revêtement antiadhésif du moule à pain. Si vous utilisez un ingrédient en gros morceaux, prenez soin de le casser en petits morceaux. Veuillez suivre les informations relatives aux ingrédients supplémentaires (voir «Ingrédients supplémentaires» dans «MODE D'EMPLOI ET RECETTES») et les quantités de recettes indiquées.
- Utilisez uniquement le bras pétrisseur fourni pour cet appareil.

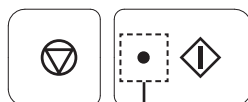
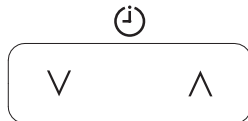
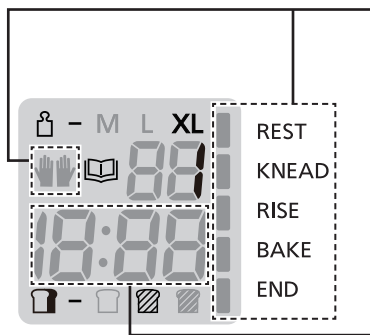
Le moule à pain, le bras pétrisseur et le pain peuvent être très chauds après la cuisson. Manipulez-les toujours avec soin.





Panneau de commande et affichage

- L'image montre tous les termes et symboles, mais uniquement ceux qui sont pertinents s'affichent pendant le fonctionnement.



- **⏻ Arrêt**
Pour annuler le réglage / arrêter le programme.
(Maintenez enfoncé pendant environ 1 seconde.)

- **⏻ Marche**
Appuyez sur ce bouton pour démarrer le programme.

- **● Indicateur d'état**
 - Un clignotement indique que la machine attend un choix de programme ou qu'une opération manuelle est requise. Le bouton **⏻** peut être pressé.
 - Une lumière constante indique que la machine est en cours d'exécution de programme. Le bouton **⏻** ne peut pas être pressé. Il ne s'allumera pas même s'il est branché.

■ Message d'état de la machine

S'affiche pour donner une indication sur l'étape en cours sauf **⏻**.

⏻ : Donne des indications pour des interventions manuelles.

(Voir «Tableau des menus et options de cuisson» pour le menu disponible dans «MODE D'EMPLOI ET RECETTES».)

■ Affichage de la durée

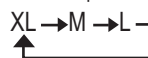
- Temps restant avant la fin du programme choisi.
- Le menu a nécessité un processus, l'affichage indiquera le temps restant avant le démarrage du processus après une pression sur le bouton Marche **⏻**.

■ **📖** Menu

- Appuyez une fois sur **^** ou **v** pour passer en mode réglage.
- Appuyez à nouveau sur **^** ou **v** pour modifier le numéro du menu.
(Pour avancer plus rapidement, maintenez le bouton enfoncé.) (Voir «Tableau des menus et options de cuisson» pour le menu disponible dans «MODE D'EMPLOI ET RECETTES».)

■ **🔒** Taille

Appuyez sur ce bouton pour choisir la taille. (Voir «Tableau des menus et options de cuisson» pour le menu disponible dans «MODE D'EMPLOI ET RECETTES».)



■ **🍞** Croûte

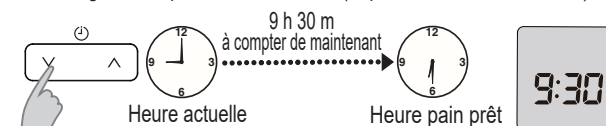
Appuyez sur ce bouton pour choisir le brunissage de la croûte. (Voir «Tableau des menus et options de cuisson» pour le menu disponible dans «MODE D'EMPLOI ET RECETTES».)



■ **🕒** Départ différé

- Réglez le départ différé (temps jusqu'à ce que le pain soit prêt). Pour les menus pour lesquels cette fonction est disponible, la fin de cuisson du pain peut être différée de 13 h (sauf le menu «Pain au levain» qui ne peut être réglé que sur 9 h). (Voir «Tableau des menus et options de cuisson» pour le menu disponible dans «MODE D'EMPLOI ET RECETTES».)
par ex.: Il est 21:00, et vous voulez que le pain soit prêt à 6:30 le lendemain matin.

→ Réglez le départ différé sur 9:30 (départ différé de 9 h 30 min).



- Réglage du temps de cuisson pour les menus sucrés:

«**^**» Appuyez sur ce bouton pour augmenter la durée.

«**v**» Appuyez sur ce bouton pour réduire la durée.

(Pour avancer plus rapidement, appuyez une fois sur ce bouton puis maintenez - le enfoncé.)

- Menu «Gâteau»

En appuyant une fois sur le bouton, le temps de cuisson supplémentaire est avancé d'une minute.

- Menu «Cuisson seule»

Appuyez une fois sur le bouton pour avancer le temps de cuisson, y compris le temps de cuisson supplémentaire d'1 minute.

- Menu «Confiture» et «Compote»

Appuyez une fois sur le bouton pour avancer le temps de cuisson de 10 minutes, mais le temps de cuisson supplémentaire sera avancé d'1 minute.

Nettoyage & Entretien

Avant de nettoyer la machine, débranchez-la et laissez-la refroidir.

■ Pour éviter d'abîmer votre machine à pain.

- N'utilisez rien d'abrasif. (nettoyants, éponges etc.)
- Ne lavez aucune partie de la machine dans le lave-vaisselle.
- N'utilisez pas de benzine, de diluants, d'alcool, ou de javel.
- Après avoir rincé les parties lavables, essuyez-les avec un chiffon. Maintenez toutes les pièces de la machine propres et sèches.

Moule à pain & Bras pétrisseur

Retirez toute pâte restante. Lavez avec une éponge douce ou une brosse à pâtisserie, puis séchez-la soigneusement.

- Le moule à pain ne doit pas être immergé complètement dans l'eau.
- Si le retrait du bras pétrisseur est difficile, versez de l'eau chaude dans le moule à pain et attendez 5 à 10 minutes. (Ne le laissez pas trop longtemps.) Ne mettez pas d'eau chaude avec du savon dans le moule à pain.

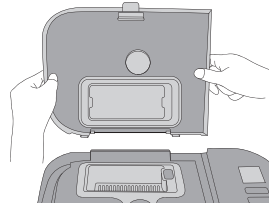
Extérieur & Grille d'aération

- Essuyez avec un chiffon humide.

Couvercle du distributeur (Uniquement SD-YR2550 / SD-YR2540 / SD-R2530)

Enlevez et lavez à l'eau. Séchez-le complètement, en particulier le couvercle du distributeur de levure.

- Soulevez le couvercle selon un angle d'environ 75 degrés. Alignez les connexions et tirez-le vers le haut pour le retirer ou poussez-le délicatement selon le même angle pour le fixer. (Attendez d'abord que l'appareil ait refroidi, car il sera très chaud immédiatement après utilisation.)
- Faites attention à ne pas endommager ou à ne pas tirer le joint. (Sa détérioration pourrait provoquer des fuites de vapeur, de la condensation voire une déformation)

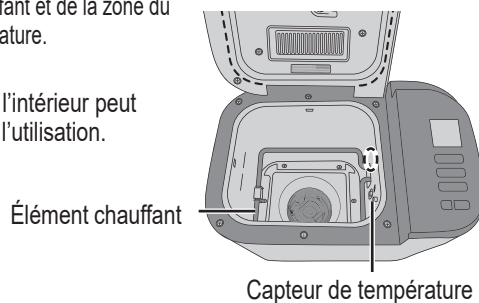


Intérieur

Retirez les aliments résiduels.

Utilisez un chiffon humide pour essuyer l'intérieur de la machine, à l'exception de l'élément chauffant et de la zone du capteur de température.

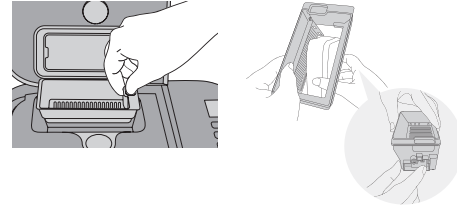
- La couleur de l'intérieur peut changer avec l'utilisation.



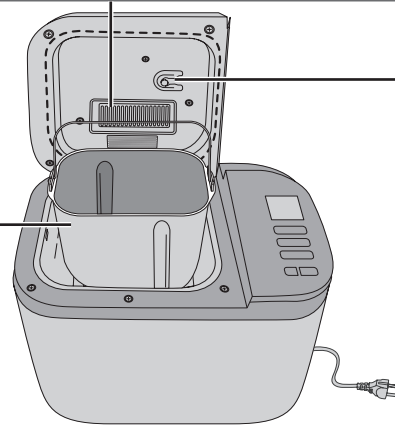
Distributeur de fruits secs et de graines

(Uniquement SD-YR2550 / SD-YR2540 / SD-R2530)

Enlevez et lavez à l'eau



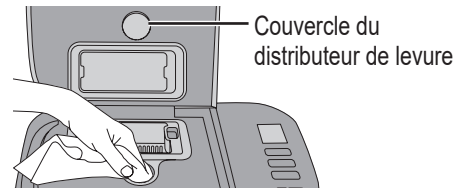
- Lavez après chaque utilisation pour enlever tous résidus.



Distributeur de levure (Uniquement SD-YR2550 / SD-YR2540)

Essuyez avec un tissu humide et laissez sécher naturellement.

- Si vous essuyez avec un tissu sec, la levure en poudre ne tombera pas dans le moule à pain à cause de la charge statique.



Couvercle du distributeur de levure

(Uniquement SD-YR2550 / SD-YR2540)

En présence d'humidité, essuyez avec un tissu sec.

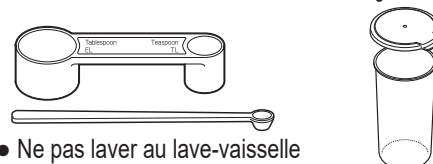
Cuillère doseuse et cuillère à levain

(Uniquement SD-YR2550 / SD-YR2540)

Lavez à l'eau.

Gobelets à levain (SD-B2510: Verre doseur)

Lavez à l'eau chaude savonneuse et séchez soigneusement.



- Ne pas laver au lave-vaisselle



Caractéristiques techniques

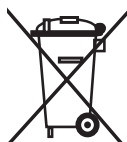
	SD-YR2550	SD-YR2540	SD-R2530	SD-B2510
Alimentation électrique	230 V ~ 50 Hz			
Puissance absorbée	550 W			
Contenance	(Farine pour un pain)	maxi 600 g	mini 400 g	
	(Farine pour une pâte)	maxi 600 g	mini 250 g	
	(Levure sèche)	maxi 7 g	mini 1,4 g	
	(Poudre à lever)	maxi 13 g	mini 10 g	
Contenance du distributeur de raisins secs / noisettes	Maxi 150 g raisins secs / noisettes			—
Départ différé	Programmateur digital (jusqu'à 13 heures)			
Dimensions (L x H x P)	Env. 40,8 x 36,2 x 25,2 cm			
Poids	Env. 7,5 kg	Env. 7,5 kg	Env. 7,0 kg	Env. 6,5 kg
Accessoires	1 gobelet à levain, 1 cuillère doseuse, 1 cuillère à levain			1 verre doseur, 1 cuillère doseuse
Bruit acoustique aéroporté [dB(A) réf 1 pW]	60,68	60,68	58,68	58,68

Français

L'élimination des équipements usagés

Applicable uniquement dans les pays membres de l'Union européenne et les pays disposant de systèmes de recyclage.

Apposé sur le produit lui-même, sur son emballage, ou figurant dans la documentation qui l'accompagne, ce pictogramme indique que les appareils électriques et électroniques usagés, doivent être séparés des ordures ménagères.



Afin de permettre le traitement, la valorisation et le recyclage adéquats des appareils usagés, veuillez les porter à l'un des points de collecte prévus, conformément à la législation nationale en vigueur.

En les éliminant conformément à la réglementation en vigueur, vous contribuez à éviter le gaspillage de ressources précieuses ainsi qu'à protéger la santé humaine et l'environnement. Pour de plus amples renseignements sur la collecte et le recyclage, veuillez vous renseigner

auprès des collectivités locales.

Le non-respect de la réglementation relative à l'élimination des déchets est passible d'une peine d'amende.

FR9



Dank u wel dat u het Panasonic product heeft aangeschaft.

- Voor dit product zijn er 2 instructies. Dit is "GEBRUIKSAANWIJZING". De andere een "BEDIENINGSHANDLEIDING EN RECEPTEN". Lees de 2 instructies zorgvuldig door om het product juist en veilig te gebruiken.
- Voorafgaand aan het gebruik van dit product, **moet u speciale aandacht schenken aan Veiligheidsmaatregelen (P. NL2 – NL5) en Belangrijke informatie (P. NL5) van deze instructies.**
- Bewaar de instructies voor gebruik in de toekomst.
- Panasonic zal geen aansprakelijkheden aannemen indien het apparaat ongepast is gebruikt of niet aan deze instructies heeft voldaan.

Inhoud

GEBRUIKSAANWIJZING (Deze instructies)

Veiligheidsmaatregelen.....	NL2
Belangrijke informatie.....	NL5
Onderdelenamen en instructies.....	NL6
Reiniging & Onderhoud.....	NL8
Specificaties.....	NL9

BEDIENINGSHANDLEIDING EN RECEPTEN (Afzonderlijk deel) omvat:

Ingrediënten voor het maken van brood
 Menudiagrammen en bakopties
 Bediening instructies
 Recepten
 Problemen oplossen

Veiligheidsmaatregelen

Houdt u zich aan de volgende instructies.

Om het gevaar voor letsel, elektrische schokken of brand te beperken, moet u met het volgende rekening houden:

- De volgende signalen geven de mate van schade aan bij misbruik van het apparaat.

	WAARSCHUWING: Geeft mogelijk gevaar aan hetgeen kan leiden tot ernstig letsel of dood.
--	---

	LET OP: Geeft mogelijk gevaar aan wat kan leiden tot licht letsel of materiele schade.
--	---

- De symbolen worden als volgt ingedeeld en omschreven.

	Dit symbool geeft een verbod aan.		Dit symbool geeft een vereiste aan dat moet worden nageleefd.
--	-----------------------------------	--	---

WAARSCHUWING


Om het risico te voorkomen van elektrische schokken, brand als gevolg van kortsluiting, rook, brandwonden of letsel.


- **Laat baby's en kinderen nooit met het verpakkingsmateriaal spelen.** (Het kan verstikking veroorzaken.)

NL2



WAARSCHUWING

-  ● **Dit apparaat niet repareren, demonteren of wijzigen.**
 - Neem contact op met de verkoper of een servicecentrum van Panasonic.
- **Beschadig het netsnoer of de stekker niet.**

De volgende handelingen zijn streng verboden:
Modificeren, aanraken van of plaatsen in de buurt van verwarmingselementen of hete oppervlakken, buigen, verdraaien, trekken, over scherpe randen hangen of trekken, zware voorwerpen er bovenop zetten, het netsnoer opgerold gebruiken of het apparaat aan het netsnoer dragen.
- **Gebruik het apparaat niet als het netsnoer of de stekker is beschadigd of als de stekker niet goed vastzit in het stopcontact.**
 - Indien het netsnoer beschadigd is, moet het worden vervangen door de fabrikant, de dealer of een ander bevoegd persoon om gevaar te vermijden.
- **Steek of neem de stekker niet uit het stopcontact met natte handen.**
- **Dompel het apparaat niet onder water en spat er geen water en / of andere vloeistoffen op.**
- **Raak het stoomventiel niet aan en blokkeer of bedek deze niet tijdens het gebruik.**
 - Let vooral op kinderen.
-  ● **Dit apparaat kan gebruikt worden door kinderen vanaf 8 jaar en ouder en personen met verminderde lichamelijke, zintuiglijke of geestelijke vermogens, of gebrek aan ervaring en kennis, indien dit onder toezicht gebeurt of na instructie over het gebruik op een veilige manier van het apparaat en ze de betrokken gevaren begrijpen.**

Kinderen mogen niet met het apparaat spelen.
Reiniging en onderhoud door de gebruiker mag niet worden uitgevoerd door kinderen, tenzij ze ouder zijn dan 8 en onder begeleiding.
- **Houd het apparaat en het netsnoer buiten bereik van kinderen jonger dan 8 jaar.**
- **Let erop dat de voltage die op het etiket van het apparaat wordt aangeduid dezelfde is als uw plaatselijk voltage.**

Vermijd ook om andere apparaten in hetzelfde stopcontact aan te sluiten om elektrisch verhitte te voorkomen. Als u echter meerdere stekkers aansluit, verzeker u ervan dat het totale vermogen het maximale vermogen van het stopcontact niet overschrijdt.
- **Steek de stekker er stevig in.**
- **Stof de stekker regelmatig af.**
 - Trek de stekker eruit en droog hem met een doekje.

⚠ WAARSCHUWING

Om het risico te voorkomen van elektrische schokken, brand als gevolg van kortsluiting, rook, brandwonden of letsel.



- **Gebruik het apparaat niet meer en trek de stekker uit het stopcontact in het onwaarschijnlijke geval dat dit apparaat niet naar behoren functioneert.**

Bijvoorbeeld bij abnormale werking of demontage:

- De stekker en het netsnoer worden te heet.
- Het netsnoer is beschadigd of er is een stroomstoring.
- De behuizing is misvormd, heeft zichtbare schade of is abnormaal heet.
- Er is abnormaal rotatie geluid bij gebruik.
- Er is een onaangename geur.
- Er is een andere afwijking of defect.

→ Raadpleeg uw leverancier of een Panasonic dealer voor inspectie of reparatie.

- **Gebruik het apparaat niet als de onderdelen van het apparaat vervormd of beschadigd zijn, zoals zichtbare scheuren of schilfers.**

→ Raadpleeg uw leverancier of een Panasonic dealer voor inspectie of reparatie.

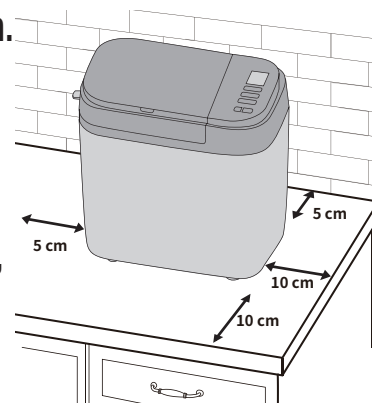
⚠ LET OP

Ter voorkoming van elektrische schokken, brand, brandwonden, letsel of schade aan eigendommen.



- **Gebruik het apparaat niet op de volgende plaatsen.**

- Op ongelijke oppervlakken, op elektrische apparaten zoals een koelkast, op materialen zoals tafelkleden of op tapijten, enz.
 - Op plaatsen dichtbij water of naast een hittebron.
- Plaats het apparaat op een stevig, droog, schoon, vlak en warmtebestendig werkblad ten minste 10 cm vanaf de rand van het werkblad en ten minste 5 cm vanaf muren en andere voorwerpen.



- **Tijdens het gebruik mag het bakblik niet verwijderd worden of de stekker uit het stopcontact getrokken worden.**

- **Gebruik geen externe timer enz.**

- Dit toestel is niet geschikt voor bediening door middel van een externe timer of een bijzonder afstandsbedieningssysteem.



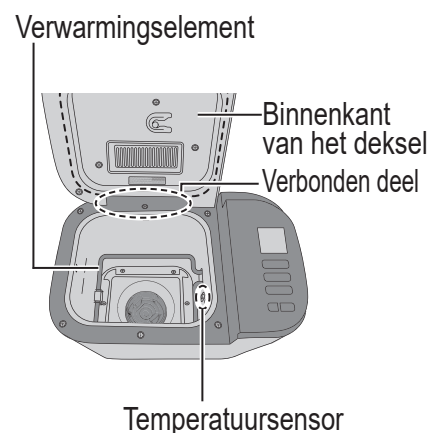
⚠ LET OP

- **Raak geen hete delen aan zoals het bakblik, de binnenkant van het hoofdgedeelte, het verwarmingselement of de binnenkant van het deksel, als het apparaat in gebruik is of net gebruikt is.**
De aanraakbare oppervlakken kunnen tijdens het gebruik warm worden. Wees voorzichtig met de achtergebleven warmte met name na gebruik.
→ Gebruik altijd ovenhandschoenen als u het bakblik en het gemaakte brood uit de apparaat neemt om te voorkomen dat u zich brandt. (Gebruik geen natte ovenhandschoenen.)
- **Plaats geen voorwerpen in de openingen.**
- **Overschrijd de maximumhoeveelheid bloem (600 g) en rijsmiddelen zoals droge gist (7 g) of bakpoeder (13 g) niet. (zie P. NL9)**
- **Trek de stekker uit het stopcontact als het apparaat niet in gebruik is.**
- **Houd de stekker goed vast als u hem uittrekt.**
Trek nooit aan het netsnoer.
- **Trek de stekker uit het stopcontact voordat u het apparaat verplaatst of schoonmaakt en laat het afkoelen.**
- **Dit product is alleen bestemd voor huishoudelijk gebruik.**
- **Reinig het apparaat na gebruik en vooral de oppervlakken die in contact komen met voedingsmiddelen na gebruik. (zie P. NL8)**

Nederlands

Belangrijke informatie

- **Gebruik het apparaat niet buitenshuis, in zeer vochtige ruimten, en pas geen zware kracht toe op de onderdelen zoals rechts afgebeeld ter voorkoming van een slechte werking of vervorming.**
- **Gebruik geen mes of ander scherp gereedschap om resten te verwijderen.**
- **Laat het apparaat niet vallen om beschadiging van het apparaat te vermijden.**
- **Bewaar geen ingrediënten of brood in het bakblik.**



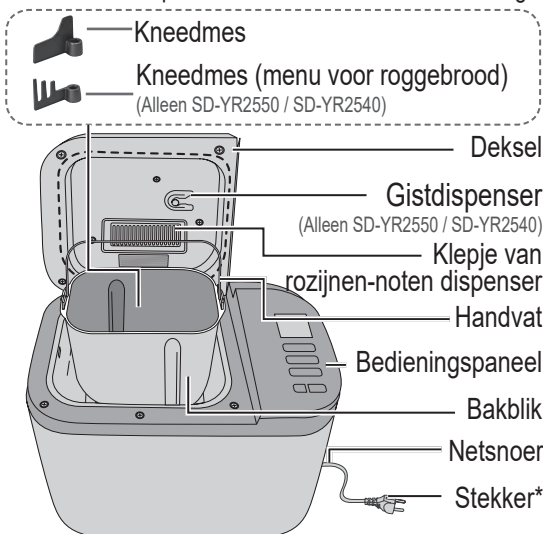
Dit symbool op het apparaat duidt op “Heet oppervlak en mag niet zonder oplettenheid worden aangeraakt”.

NL5

Onderdelenamen en instructies

Hoofddeelte

- Illustratie van producten in deze instructies worden geïllustreerd door SD-YR2550



* De vorm van de stekker kan verschillen van de illustratie.

Deksel van dispenser

Druk op de ribbel aan de zijkant van het deksel van de dispenser en til het op om het te openen.

Ribbel

Sluit het deksel van gistdispenser totdat de ribbel klikt.

Rozijnen-notendispenser

(Alleen SD-YR2550 / SD-YR2540 / SD-R2530)

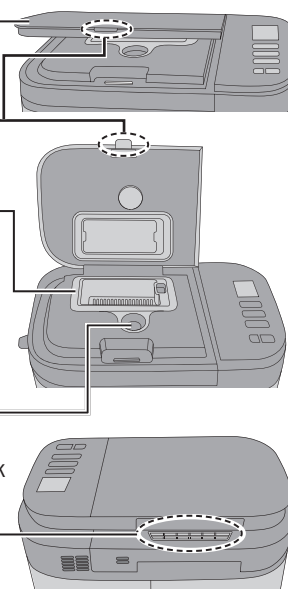
De ingrediënten die in de rozijnen-notendispenser zijn geplaatst, vallen automatisch in het bakblik wanneer een menu "met rozijnen" is geselecteerd.

Gistdispenser

(Alleen SD-YR2550 / SD-YR2540)

Laat de droge gist automatisch in het bakblik vallen.

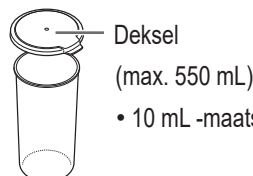
Stoomventiel



Accessoires

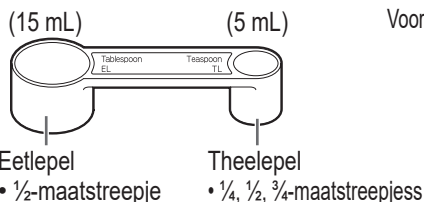
Zuurdesem maatbeker (SD-B2510: Maatbeker)

Om vloeistoffen te meten, zuurdesem starter te maken.



Maatlepelkje

Voor het afpassen van suiker, zout, gist etc.



Zuurdesem starterlepelkje

(Alleen SD-YR2550 / SD-YR2540 / SD-R2530)

Voor het afmeten van de zuurdesem startergist.



Het bakblik en het kneedmes zijn voorzien van een anti-aanbaklaag, om vlekken te voorkomen en het brood gemakkelijker uit het bakblik te kunnen verwijderen.

- Om te voorkomen dat deze laag beschadigd raakt, verzoeken wij u vriendelijk de onderstaande aanwijzingen op te volgen.

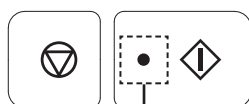
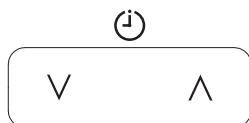
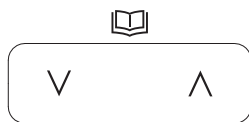
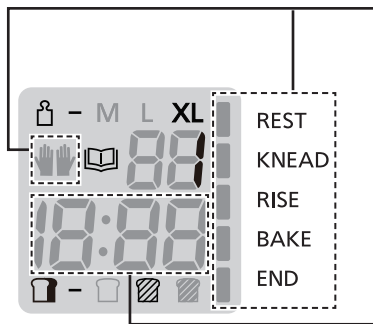
- Gebruik geen harde voorwerpen zoals messen of vorken om het brood uit het bakblik te verwijderen. Als het brood niet gemakkelijk uit het bakblik kan worden verwijderd, laat het dan 5–10 minuten afkoelen, waarbij u het bakblik niet onbeheerd mag laten staan om te voorkomen dat iemand zich aan het bakblik brandt. Hierna kunt u het brood verwijderen door het bakblik met ovenwanten op te pakken en enkele keren goed te schudden. (Zien stap 8 van "Brood bakken" in "BEDIENINGSHANDLEIDING EN RECEPTEN") (Zorg ervoor dat het handvat omlaag staat, zodat dit geen obstakel voor het brood kan vormen.)
- Controleer of het kneedmes niet in het brood zit voordat het wordt gesneden. Wanneer het kneedmes in het brood zit, moet het brood eerst afkoelen waarna het mes kan worden verwijderd. (Gebruik geen harde voorwerpen zoals messen en vorken.) Zorg ervoor dat u zich niet brandt aangezien het kneedmes nog steeds erg heet kan zijn.
- Gebruik een zachte spons om het bakblik en het kneedmes schoon te maken. Het gebruik van schurende middelen als schuurmiddel of schuurspongjes moet ten strengste worden afgeraden.
- Harde, grove of grofkorrelige ingrediënten zoals bloem met hele graan- of suikerkorrels, of toegevoegde noten of zaden zouden de anti-aanbaklaag van het bakblik kunnen beschadigen. Breek ingrediënten die nogal groot zijn eerst in kleinere stukjes. Volg alsjeblieft de informatie van Aanvullende ingrediënten (zie "Aanvullende ingrediënten" in "BEDIENINGSHANDLEIDING EN RECEPTEN") en de hoeveelheden vermeld in het recept.
- Gebruik alleen het voor dit apparaat meegeleverde kneedmes. Het bakblik, het kneedmes en het brood kunnen na het bakken zeer heet zijn. Wees altijd voorzichtig.





Bedieningspaneel en display

- De afbeelding toont alle woorden en symbolen, maar alleen de relevante woorden en symbolen worden weergegeven tijdens de werking.



Stop

Voor annuleren van de instelling / stoppen van het programma.
(Ongeveer 1 seconde ingedrukt houden.)

Start

Druk op deze toets om het programma te starten.

Statusindicator

- Het knipperen geeft aan dat het toetsel ingesteld is of een manuele handeling vereist is.
De knop kan ingedrukt worden.
- Een vast brandend lampje geeft weer dat het toestel in werking is.
De knop kan niet ingedrukt worden.
Het toestel zal niet inschakelen, zelfs met de stekker in het stopcontact.

Gebruiksstatus

Weergegeven voor de huidige fase van het programma behalve .
 : Geeft manuele handelingen weer.
(Zie "Menudiagrammen en bakopties" voor de beschikbare menu in "BEDIENINGSHANDLEIDING EN RECEPTEN".)

Tijd weergegeven

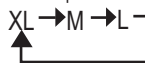
- Resterende tijd totdat het programma klaar is.
- Het menu heeft handmatige stappen nodig, het scherm toont de resterende tijd tot het starten van dit proces nadat op de knop gedrukt is.

Menu

- Druk op of eenmalig voor de instellingsmodus.
- Druk op of om het menu nummer te wijzigen.
(Houd de knop ingedrukt om sneller verder te gaan) (Zie "Menudiagrammen en bakopties" voor de beschikbare menu in "BEDIENINGSHANDLEIDING EN RECEPTEN".)

Formaat

Druk op deze toets om het formaat van het brood te kiezen. (Zie "Menudiagrammen en bakopties" voor de beschikbare menu in "BEDIENINGSHANDLEIDING EN RECEPTEN".)



Korst

Druk op deze toets om de kleur van de korst te kiezen. (Zie "Menudiagrammen en bakopties" voor de beschikbare menu in "BEDIENINGSHANDLEIDING EN RECEPTEN".)



Startuutstel

- Stel de vertragingstimer in (tijd totdat het brood klaar is). Voor het beschikbare menu kan het worden ingesteld tot 13 uur (behalve menu "Zuurdesembrood", alleen ingesteld tot 9 uur). (Zie "Menudiagrammen en bakopties" voor de beschikbare menu in "BEDIENINGSHANDLEIDING EN RECEPTEN".)
bijv.: het is nu 9:00 uur en u wilt dat het brood de volgende ochtend om 6:30 uur klaar is.
→ Stel de timer dan in op 9:30 (9 uur en 30 minuten na nu).



- Stel de tijd in voor zoete menu's:

"" Druk op deze toets om de tijd te verlengen.

"" Druk op deze toets om de tijd te verkorten.

(Druk één keer op deze toets en vasthouden om sneller vooruit te gaan.)

- Menu "Cake"
Door één keer op de knop te drukken wordt de extra baktijd met 1 minuut vervroegd.
- Menu "Enkel Bakken"
Eén keer op de knop drukken zal de baktijd inclusief de bijkomende baktijd vermeerderen met 1 minuut.
- Menu "Jam" en "Compote"
Eén keer op de knop drukken zal de kooktijd vermeerderen met 10 minuten maar de bijkomende baktijd zal 1 minuut zijn.

Reiniging & Onderhoud

Neem de stekker uit het stopcontact en laat de machine afkoelen voordat u deze gaat schoonmaken.

■ Voorkom beschadiging van uw machine.

- Gebruik geen schuurmiddelen. (schoonmaakmiddelen, schuursponsjes etc.)
- Was geen enkel onderdeel van uw machine in de vaatwasser.
- Gebruik geen benzine, verduiners, alcohol of bleekwater.
- Droog de machine af met een doek nadat u de afwasbare onderdelen hebt afgespoeld. Zorg ervoor dat de onderdelen van de machine schoon en droog blijven.

Bakblik & kneedmes

Verwijder achtergebleven deeg, Was af met een zacht sponsje of een bakkwast en droog daarna goed af.

- Dompel het bakblik niet in water onder.
- Als het kneedmes moeilijk los komt, giet dan warm water in het bakblik en wacht 5 minuten tot 10 minuten.

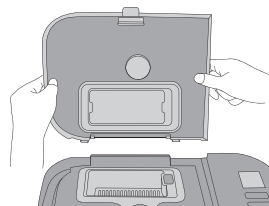
Buitenkant & Stoomventiel

- Droog deze af met een vochtige doek.

Deksel van dispenser (Alleen SD-YR2550 / SD-YR2540 / SD-R2530)

Neem de dispenser uit de machine en spoel deze af met water. Geheel droogmaken, met name het deksel van de gishouder.

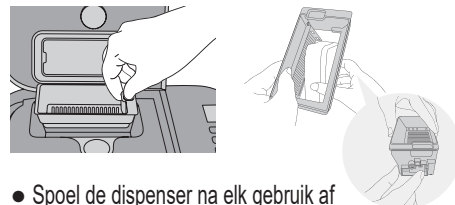
- Til het deksel van de dispenser op tot een hoek van ongeveer 75 graden. Lijn de aansluitingen uit en trek in opwaartse richting of druk voorzichtig terug onder dezelfde hoek om te bevestigen. (Wacht eerst totdat de machine is afgekoeld, deze is namelijk onmiddellijk na gebruik nog zeer heet.)
- Pas op dat u het dichtingsmateriaal niet beschadigt of lostrekt. (Beschadiging kan leiden tot het ontsnappen van stoom, condensvorming of misvormd brood.)



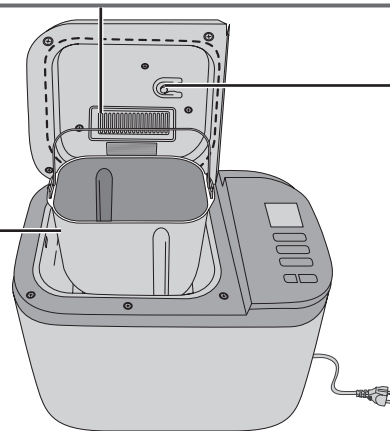
Rozijnen-notendispenser

(Alleen SD-YR2550 / SD-YR2540 / SD-R2530)

Neem de dispenser uit de machine en spoel deze af met water.



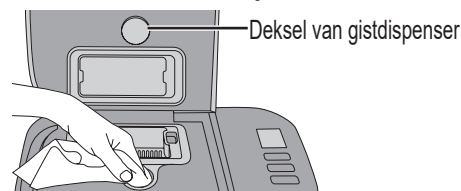
- Spoel de dispenser na elk gebruik af om eventueel achtergebleven restjes te verwijderen.



Gistdispenser (Alleen SD-YR2550 / SD-YR2540)

Afvegen met een vochtige doek en gewoon laten opdrogen.

- Als met een droge doek wordt geveegd zal de droge gist niet in het bakblik vallen vanwege statische elektriciteit.



Deksel van gistdispenser

(Alleen SD-YR2550 / SD-YR2540)

Droog met een droge doek als het vochtig is.

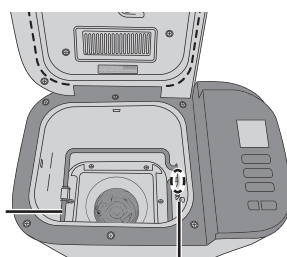
Binnenkant

Verwijder de voedselresten.

Gebruik een vochtige doek om de binnenkant van de machine, behalve het gebied van het verwarmingselement en de temperatuursensor, te reinigen.

- De kleur van de binnenkant kan na een bepaalde periode van gebruik wijzigen.

Temperatuursensor



Verwarmingselementen

Maatlepelje en zuurdesem starterlepelje

(Alleen SD-YR2550 / SD-YR2540)

Was deze af met water.

Zuurdesem maatbeker (SD-B2510: Maatbeker)

Was met warm water en zeep en droog goed af.



- Niet geschikt voor de vaatwasser



Specificaties

	SD-YR2550	SD-YR2540	SD-R2530	SD-B2510
Stroomtoevoer	230 V ~ 50 Hz			
Verbruikte stroom	550 W			
Inhoud	(Bloem voor een brood)	max. 600 g	min. 400 g	
	(Bloem voor een deeg)	max. 600 g	min. 250 g	
	(Droge gist)	max. 7 g	min. 1,4 g	
	(Bakpoeder)	max. 13 g	min. 10 g	
Inhoud van rozijnen-notendispenser	Max. 150 g Gedroogde vruchten / Noten			—
Timer	Digitale timer (max. 13 uur)			
Afmetingen (B × H × D)	Ca. 40,8 × 36,2 × 25,2 cm			
Gewicht	Ca. 7,5 kg	Ca. 7,5 kg	Ca. 7,0 kg	Ca. 6,5 kg
Accessoires	1 zuurdesem maatbeker, 1 maatlepeltje, 1 zuurdesem starterlepeltje			1 maatbeker, 1 maatlepeltje
Door de lucht gedragen akoestisch lawaai [dB(A) ref 1 pW]	60,68	60,68	58,68	58,68

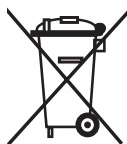
Nederlands

Het ontdoen van oude apparatuur

Enkel voor de Europese Unie en landen met recycle systemen.

Dit symbool op de producten, verpakkingen en / of begeleidende documenten betekent dat gebruikte elektrische en elektronische producten niet samen mogen worden weggegooid met de rest van het huishoudelijk afval.

Voor een juiste verwerking, hergebruik en recycling van oude producten, gelieve deze in te leveren bij de desbetreffende inleverpunten in overeenstemming met uw nationale wetgeving.



Door ze op de juiste wijze weg te gooien, helpt u mee met het besparen van kostbare hulpbronnen en voorkomt u potentiële negatieve effecten op de volksgezondheid en het milieu.

Voor meer informatie over inzameling en recycling kunt u contact opnemen met uw plaatselijke gemeente.

Afhankelijk van uw nationale wetgeving kunnen er boetes worden opgelegd bij het onjuist weggoien van dit soort afval.

NL9



La ringraziamo per aver acquistato un prodotto Panasonic.

- Per questo prodotto vi sono 2 istruzioni. Queste sono le "ISTRUZIONI D'USO".L'altro è il "MANUALE PER L'USO E RICETTE".
Leggere attentamente le 2 istruzioni per utilizzare il prodotto in modo corretto e sicuro.
- Prima di utilizzare questo prodotto, **prestare particolare attenzione a Precauzioni di sicurezza (P. IT2 – IT5) e Informazioni importanti (P. IT5) di queste istruzioni.**
- Conservare queste istruzioni per riferimenti futuri.
- Panasonic non accetterà alcuna responsabilità se il prodotto viene usato in modo improprio oppure le istruzioni non sono seguite.

Indice

ISTRUZIONI D'USO (Queste istruzioni)

Precauzioni di sicurezza.....	IT2
Informazioni importanti.....	IT5
Nomi delle parti e istruzioni.....	IT6
Pulizia & Conservazione.....	IT8
Specifiche tecniche.....	IT9

MANUALE PER L'USO E RICETTE (Volume a parte) comprende:


Ingredienti per la preparazione del pane
 Tabella dei menu e opzioni di cottura
 Istruzioni per l'uso
 Ricette
 Risoluzione dei problemi

Precauzioni di sicurezza

Attenersi alle presenti istruzioni.

Per ridurre il rischio di lesioni personali, scosse elettriche o incendi, osservare quanto segue:

■ I seguenti segnali indicano il grado di lesioni e danni in caso di uso non corretto dell'apparecchio.

 **AVVERTENZA:** Indica un potenziale rischio che potrebbe causare gravi lesioni o morte.

 **ATTENZIONE:** Indica un potenziale rischio che potrebbe causare lesioni lievi o danni materiali.

■ I simboli sono classificati e spiegati come segue.



Questo simbolo indica divieto.



Questo simbolo indica la necessità di adottare determinati accorgimenti.



AVVERTENZA

Per evitare il rischio di scosse elettriche, incendi dovuti a cortocircuito, fumo, ustioni o lesioni.





● **Non permettere a neonati e bambini di giocare con il materiale d'imballaggio.**
(Ciò può causare soffocamento.)

IT2



AVVERTENZA

-  ● **Non smontare, riparare o modificare l'apparecchio.**
 - Rivolgersi al rivenditore o a un centro assistenza Panasonic.
- **Non danneggiare il cavo di alimentazione o la spina.**

Le seguenti azioni sono severamente vietate:
Modificare, toccare o collocare nelle vicinanze di serpentine o superfici calde, piegare, torcere, tirare, appendere / tirare su spigoli vivi, collocare oggetti pesanti sopra, legare il cavo di alimentazione o trasportare l'apparecchio dal cavo di alimentazione.
- **Non usare l'apparecchio se il cavo di alimentazione o la spina sono danneggiati o se la spina è mal collegata alla presa elettrica domestica.**
 - Se il cavo di alimentazione è danneggiato, deve essere sostituito dalla casa produttrice o da un agente autorizzato al servizio oppure da persona analogamente qualificata per evitare pericoli.
- **Non connettere o sconnettere la spina con le mani umide.**
- **Non immergere l'apparecchio nell'acqua e non spruzzarlo con acqua e / o altri liquidi.**
- **Non toccare, ostruire o coprire le aperture per la fuoriuscita del vapore durante l'utilizzo dell'apparecchio.**
 - Prestare particolare attenzione in presenza di bambini.
-  ● **Questo apparecchio può essere utilizzato da bambini dagli 8 anni in su e da persone con capacità fisiche, sensoriali o mentali ridotte, o con poca esperienza e conoscenza, qualora siano stati istruiti all'uso sicuro dell'apparecchio e comprendano i rischi a esso legati. I bambini non possono giocare con l'apparecchio.**

La pulizia e altre forme di manutenzione non devono essere eseguite da bambini a meno che non abbiano più di 8 anni e siano sotto supervisione.
- **Mantenere l'apparecchio e il suo cavo di alimentazione lontano dalla portata dei bambini inferiori agli 8 anni.**
- **Assicurarsi che il voltaggio indicato sulla targa dell'apparecchio sia quello della rete locale.**

Evitare anche di collegare altri dispositivi alla stessa presa di rete, per evitare surriscaldamento della stessa. Tuttavia, se sono collegate più spine, assicurare che il wattaggio totale non superi il wattaggio nominale della presa d'alimentazione domestica.
- **Inserire stabilmente la spina.**
- **Spolverare regolarmente la spina.**
 - Staccare la spina, e pulirla con un panno asciutto.

⚠ AVVERTENZA

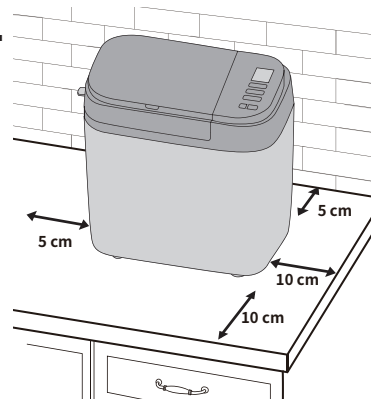
Per evitare il rischio di scosse elettriche, incendi dovuti a cortocircuito, fumo, ustioni o lesioni.

- ❗ ● **Interrompere immediatamente l'utilizzo dell'apparecchio e scollegarlo dalla presa elettrica nel caso in cui smetta di funzionare correttamente.**
Ad es. per anomalie o guasti:
 - La spina e il cavo di alimentazione si surriscaldano troppo.
 - Il cavo dell'apparecchio è danneggiato o l'alimentazione dell'apparecchio è interrotta.
 - Il corpo principale è deformato, presenta danni visibili o si surriscalda eccessivamente.
 - Si ode un rumore anomalo durante il funzionamento.
 - Si avverte un odore sgradevole.
 - Vi è un'altra anomalia o un guasto.→ Consultare il rivenditore o il centro di assistenza Panasonic per l'ispezione o la riparazione.
- **Non utilizzare l'apparecchio se le parti dell'apparecchio sono deformate o danneggiate, ad esempio se presentano crepe o scheggiature visibili.**
→ Consultare il rivenditore o il centro di assistenza Panasonic per l'ispezione o la riparazione.

⚠ ATTENZIONE



Per evitare il rischio di scosse elettriche, incendi, ustioni, lesioni o danni materiali.

- ⊘ ● **Non utilizzare l'apparecchio nei posti seguenti.**
 - Su superfici irregolari, collocando gli apparecchi elettrici, ad esempio sul frigorifero, su materiali quali tovaglie o tappeti, ecc.
 - Luoghi dove potrebbe essere spruzzata dell'acqua o nei pressi di una sorgente di calore.→ Collocare l'apparecchio su un piano di lavoro resistente al calore e stabile, asciutto, pulito, piano ad almeno 10 cm dal bordo del piano di lavoro e ad almeno 5 cm dalle pareti adiacenti e altri oggetti.
- **Non rimuovere il cestello del pane né scollegare l'apparecchio mentre è in funzione.**
- **Non utilizzare un timer esterno, ecc.**
 - Questo apparecchio non è stato progettato per funzionare con un timer esterno o con un sistema di controllo remoto separato.





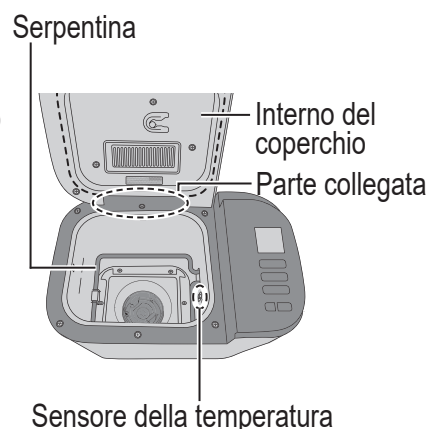
ATTENZIONE

-  ● **Non toccare le parti calde quali ad esempio il cestello del pane, l'interno dell'unità, la serpentina o la parte interna del coperchio quando l'apparecchio è in funzione o dopo la cottura degli alimenti.** Le superfici accessibili potrebbero diventare calde durante l'uso. Fare attenzione alla fonte di calore residua soprattutto dopo l'uso.
→ Per evitare ustioni, utilizzare sempre guanti da forno quando si rimuove il cestello del pane o il pane cotto. (Non utilizzare guanti da forno bagnati.)
- **Non inserire alcun oggetto nelle fessure.**
- **Non superare la quantità massima di farina (600 g) e ingredienti lievitanti come lievito secco (7 g) o lievito bianco in polvere (13 g). (Vedere a pag. IT9)**
-  ● **Scollegare la spina di alimentazione quando l'apparecchio non è in funzione.**
- **Assicurarsi di tenere saldamente la spina quando la si stacca. Non tirare mai il cavo d'alimentazione.**
- **Prima di maneggiare, spostare o pulire, scollegare l'apparecchio e lasciarlo raffreddare.**
- **Questo prodotto è destinato esclusivamente a un uso domestico.**
- **Accertarsi di pulire l'apparecchio, in particolare le superfici a contatto con gli alimenti dopo l'uso. (Vedere a pag. IT8)**

Italiano

Informazioni importanti

- **Non utilizzare l'apparecchio all'aperto, in ambienti ad elevata umidità e non applicare una forza eccessiva sulle parti, come mostrato a destra, per evitare anomalie o deformazioni.**
- **Non utilizzare un coltello o altri strumenti affilati per rimuovere i residui.**
- **Non lasciar cadere l'apparecchio per evitare danni allo stesso.**
- **Non conservare ingredienti nel cestello del pane.**

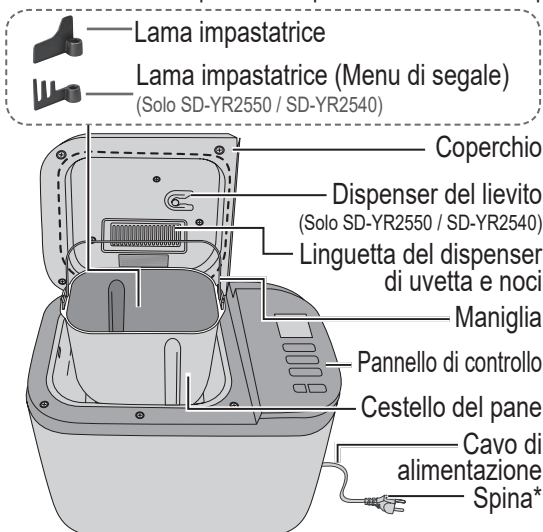


Questo simbolo sul apparecchio indica “Superfici roventi che non devono essere toccate senza adottare precauzioni”.

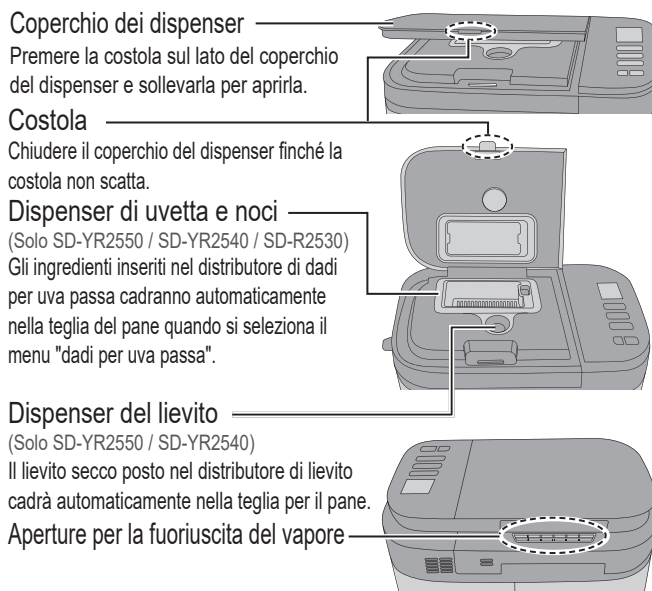
Nomi delle parti e istruzioni

Unità principale

- L'illustrazione del prodotto in queste istruzioni è esemplificata da SD-YR2550.



* La forma delle componenti della spina possono essere differenti rispetto all'illustrazione.



Accessori

Bicchiere dosatore per lievito naturale
(SD-B2510: Bicchiere dosatore)

Per misurare i liquidi e fare lievito naturale.



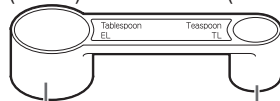
Coperchio
(max. 550 mL)

- incrementi da 10 mL

Cucchiaino dosatore

Per misurare zucchero, sale, lievito secco, ecc.

(15 mL) (5 mL)



Cucchiaino

- ½ marcatura

Cucchiaino

- ¼, ½, ¾ marcature

Cucchiaino dosatore per lievito madre

(Solo SD-YR2550 / SD-YR2540 / SD-R2530)

Per misurare il lievito naturale



circa 0,1 g

Il cestello del pane e la lama impastatrice sono dotati di un rivestimento antiaderente per impedire la formazione di macchie e rendere più semplice rimuovere il pane.

- Per evitare di danneggiare il rivestimento, seguire le istruzioni riportate di seguito.

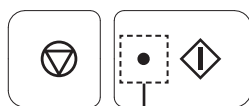
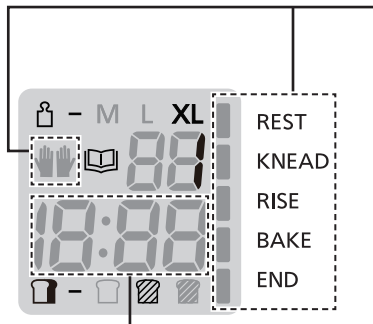
- Non utilizzare utensili duri come coltelli o forchette per rimuovere il pane dal cestello del pane. Se il pane non può essere facilmente rimosso dal cestello, lasciarlo raffreddare per 5–10 minuti, facendo attenzione a non lasciarlo incustodito in un ambiente dove qualcuno potrebbe rischiare di ustionarsi o dove oggetti potrebbero incendiarsi. In seguito, scuotere diverse volte il cestello del pane servendosi dei guanti da forno. (Vedere il punto 8 di "Cottura del pane" in "MANUALE PER L'USO E RICETTE") (Tenere abbassata la maniglia in modo che non ostacoli il pane.)
- Prima di affettare il pane, accertarsi che la lama impastatrice non sia rimasta incastrata al suo interno. Se è rimasta incastrata, attendere che il pane si sia raffreddato, quindi rimuoverla. (Non utilizzare utensili duri o taglienti come coltelli o forchette.) Fare attenzione a non ustionarsi poiché la lama impastatrice potrebbe essere ancora calda.
- Utilizzare una spugna morbida per la pulizia del cestello del pane e della lama impastatrice. Non utilizzare prodotti abrasivi come detersivi o pagliette di lana d'acciaio.
- Ingredienti duri, granulosi o grossi come farine con chicchi di grano interi o macinati, zucchero, oppure l'aggiunta di noci e semi potrebbero danneggiare il rivestimento antiaderente del cestello del pane. Se si utilizzano ingredienti in pezzi grossi, tagliarli in pezzi piccoli. Si prega di seguire le indicazioni di Ingredienti aggiuntivi (Vedere "Ingredienti aggiuntivi" in "MANUALE PER L'USO E RICETTE") e le quantità di ricetta indicate.
- Utilizzare solamente la lama impastatrice in dotazione per questo apparecchio. Il cestello del pane, la lama impastatrice e il pane possono essere molto caldi dopo la cottura. Maneggiare sempre con cura.





Pannello di controllo e Display

● L'immagine mostra tutte le parole e i simboli, ma durante il funzionamento vengono visualizzati solo quelli rilevanti.



Arresto

Per annullare l'impostazione / arrestare il programma.
(Tenere premuto per circa 1 secondo.)

Avvio

Premere questo pulsante per avviare il programma.

Indicatore di stato

- La spia lampeggia quando la macchina deve essere impostata o se è necessario eseguire un'operazione manuale. È possibile premere il pulsante di .
- La spia sempre accesa indica che la macchina si trova nello stato di esecuzione del programma. Non è possibile premere il pulsante di . Non si accenderà nemmeno se collegato.

Stato di funzionamento

Mostra la fase attuale del programma, ad eccezione di .
 : Indica l'esecuzione di operazioni manuali.
(Vedere "Tabella dei menu e opzioni di cottura" per il menu disponibile in "MANUALE PER L'USO E RICETTE").

Appare il tempo

- Tempo rimanente alla fine della cottura.
- Il menu richiede qualche passaggio manuale; sul display viene visualizzato il tempo rimanente fino all'avvio del processo, dopodiché premere il pulsante .

Menu

- Premere o una volta per diventare un modo di impostazione.
- Premere o di nuovo per modificare il numero di menu.
(Per avanzare più rapidamente, tenere premuto il pulsante) (Vedere "Grafico del menu e opzioni di cottura" per il menu disponibile in "MANUALE PER L'USO E RICETTE").

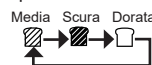
Dimensioni

Premere questo pulsante per selezionare le dimensioni. (Vedere "Grafico del menu e opzioni di cottura" per il menu disponibile in "MANUALE PER L'USO E RICETTE").



Crosta

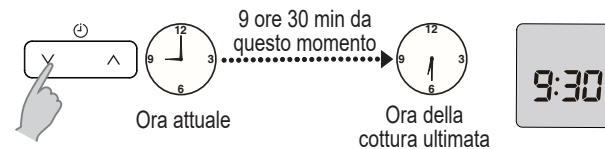
Premere questo pulsante per selezionare il livello di doratura della crosta. Vedere a pag. (Vedere "Tabella dei menu e opzioni di cottura" per il menu disponibile in "MANUALE PER L'USO E RICETTE").



Timer

- Impostazione della partenza ritardata (tempo rimanente fino a cottura ultimata del pane). Per il menu disponibile, è possibile impostare fino a 13 ore (tuttavia, per il menu "A lievitazione naturale pane" si possono impostare solo fino a 9 ore). (Vedere "Tabella dei menu e opzioni di cottura" per il menu disponibile in "MANUALE PER L'USO E RICETTE").
ad es.: Ora sono le 21:00 e si desidera avere il pane pronto alle 6:30 della mattina successiva.

→ Impostare il timer alle 9:30 (fra 9 ore e 30 minuti).



- Impostare il tempo per dolci Menù:

Premere questo pulsante per aumentare il tempo.

Premere questo pulsante per diminuire il tempo.

(Per avanzare più rapidamente, premere una volta questo pulsante e tenerlo premuto)

- Menu "Torta"
Premendo il pulsante 1 volta, il tempo di cottura verrà prolungato di 1 minuto.
- Menu "Solo cottura"
Premere il pulsante una sola volta farà avanzare il tempo di lievitazione, ivi compreso il tempo di lievitazione aggiuntivo di 1 minuto.
- Menu "Marmellata" e "Composta di frutta"
Premere il pulsante una sola volta farà avanzare il tempo di cottura, ivi compreso il tempo di cottura aggiuntivo di 1 minuto.

Pulizia & Conservazione

Prima di pulire la macchina per il pane, scollegarla dalla presa e lasciarla raffreddare.

■ Per evitare di danneggiare la macchina per il pane.

- Non utilizzare prodotti abrasivi. (detergenti, pagliette in lana d'acciaio ecc.)
- Non lavare nessun componente della macchina per il pane in lavastoviglie.
- Non utilizzare benzina, diluenti, alcol o candeggina.
- Dopo aver sciacquato le parti lavabili, asciugarle con un panno. Mantenere sempre le parti della macchina del pane pulite e asciutte.

Cestello del pane & lama impastatrice

Rimuovere l'impasto rimanente, lavare con una spugna morbida o con un pennello da pasticciere, quindi asciugare accuratamente.

- Non immergere il cestello del pane in acqua.
- Se la lama impastatrice è difficile da rimuovere, versare acqua calda nel cestello del pane e attendere 5 minuti –10 minuti. (Non lasciarlo per troppo tempo.) Non mettere acqua calda e sapone nel contenitore del pane.

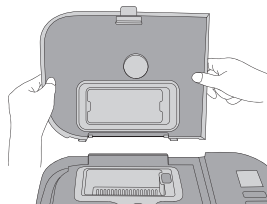
Esterno & Aperture per la fuoriuscita del vapore

- Pulire con un panno umido.

Coperchio dei dispenser (Solo SD-YR2550 / SD-YR2540 / SD-R2530)

Rimuovere e lavare con acqua. Asciugare completamente, in particolare il coperchio del dispenser del lievito.

- Sollevare il coperchio del dispenser a un angolo di circa 75 gradi. Allineare i collegamenti e tirare in direzione verticale per rimuovere o spingere con cura alla stessa angolazione per fissare. (Attendere prima che la macchina sia raffreddata poiché subito dopo l'utilizzo è molto calda.)
- Non tirare la guarnizione e fare attenzione a non danneggiarla. (Danni alla guarnizione possono determinare fuoriuscita di vapore, condensa o deformazione.)

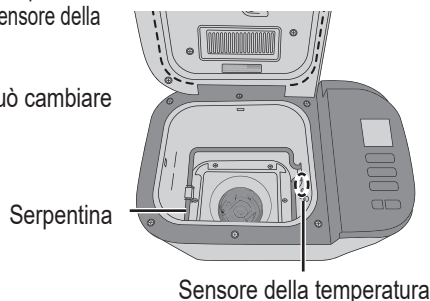


Interno

Rimuovere i residui di prodotto alimentare.

Utilizzare un panno umido per pulire l'interno della macchina, ad eccezione della serpentina e dell'area del sensore della temperatura.

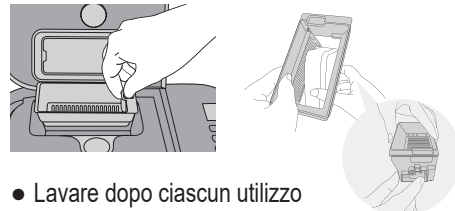
- Il colore dell'interno può cambiare con l'uso.



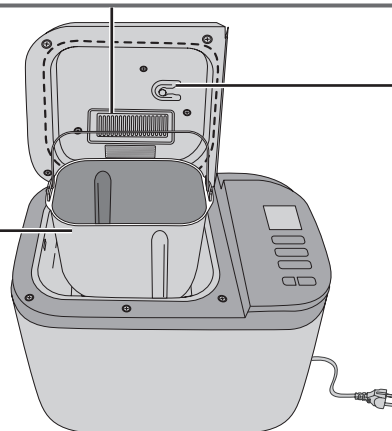
Dispenser di uvetta e noci

(Solo SD-YR2550 / SD-YR2540 / SD-R2530)

Rimuovere e lavare con acqua.



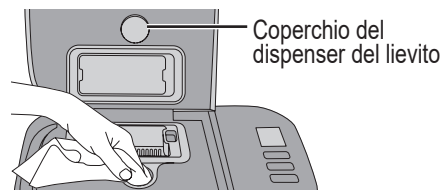
- Lavare dopo ciascun utilizzo per rimuovere eventuali residui.



Dispenser del lievito (Solo SD-YR2550 / SD-YR2540)

Lavare con un panno umido e asciugare.

- Se viene pulito con un panno asciutto, il lievito secco non cadrebbe nel cestello del pane a causa della formazione di elettricità statica.



Coperchio del dispenser del lievito

(Solo SD-YR2550 / SD-YR2540)

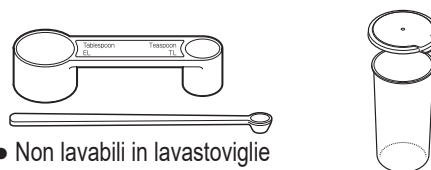
Se è bagnato, asciugare con un panno asciutto.

Cucchiaino dosatore e cucchiaino dosatore per lievito madre (Solo SD-YR2550 / SD-YR2540)

Lavare con acqua.

Bicchieri dosatori per lievito naturale (SD-B2510: Bicchiere dosatore)

Lavare con acqua tiepida e sapone e asciugare bene.



- Non lavabili in lavastoviglie



Specifiche tecniche

	SD-YR2550	SD-YR2540	SD-R2530	SD-B2510
Alimentazione	230 V ~ 50 Hz			
Consumo energetico	550 W			
Capienza	(Farina per una pagnotta)	max. 600 g	min. 400 g	
	(Farina per un impasto)	max. 600 g	min. 250 g	
	(Lievito secco)	max. 7 g	min. 1,4 g	
	(Lievito bianco in polvere)	max. 13 g	min. 10 g	
Capienza del dispenser di uvetta e noci	Max. 150 g Frutta secca / Noci			—
Timer	Timer digitale (fino a 13 ore)			
Dimensioni (Larghezza × Altezza × Profondità)	Circa 40,8 × 36,2 × 25,2 cm			
Peso	Circa 7,5 kg	Circa 7,5 kg	Circa 7,0 kg	Circa 6,5 kg
Accessori	1 bicchiere dosatore per lievito naturale, 1 cucchiaino dosatore, 1 cucchiaino dosatore per lievito madre			1 bicchiere dosatore, 1 cucchiaino dosatore
Emissioni di rumore aereo [dB(A) ref 1 pW]	60,68	60,68	58,68	58,68

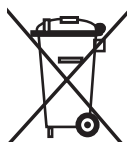
Italiano

Smaltimento di vecchie apparecchiature

Solo per Unione Europea e Nazioni con sistemi di raccolta e smaltimento.

Questo simbolo sui prodotti, sull'imballaggio e / o sulle documentazioni o manuali accompagnanti i prodotti indica che i prodotti elettrici, elettronici non devono essere buttati nei rifiuti domestici generici.

Per un trattamento adeguato, recupero e riciclaggio di vecchi prodotti vi invitiamo a portarli negli appositi punti di raccolta secondo la legislazione vigente nel vostro paese.



Con uno smaltimento corretto, contribuirete a salvare importanti risorse e ad evitare i potenziali effetti negativi sulla salute umana e sull'ambiente.

Per ulteriori informazioni su raccolta e riciclaggio, vi invitiamo a contattare il vostro comune. Lo smaltimento non corretto di questi rifiuti potrebbe comportare sanzioni in accordo con la legislazione nazionale.

IT9



Gracias por comprar el producto Panasonic.

- Lea las instrucciones atentamente para utilizar el producto de forma correcta y segura.
- Antes de utilizar este producto, **preste especial atención a las secciones Precauciones de seguridad (página SP2 – SP5) e Información importante (página SP5) de estas instrucciones.**
- Guarde las instrucciones para utilizarlas en otro momento.
- Panasonic no aceptará responsabilidad alguna si el aparato está sujeto a un uso indebido, o el incumplimiento de estas instrucciones.

Índice


Precauciones de seguridad.....	SP2
Información importante	SP5
Nombres de los componentes e instrucciones.....	SP6
Cuidados y limpieza	SP8
Especificaciones	SP9


Precauciones de seguridad

Por favor, asegúrese de seguir estas instrucciones.


Para reducir el riesgo de lesiones personales, descargas eléctricas o incendio, tenga en cuenta lo siguiente:

■ Los siguientes signos indican el grado de daño cuando el aparato se utiliza de forma incorrecta.

 **ADVERTENCIA:** Indica un peligro potencial que podría causar lesiones o la muerte.

 **PRECAUCIÓN:** Indica un peligro potencial que podría causar lesiones leves o daños materiales.


■ Los símbolos se clasifican y explican a continuación.

 Este símbolo indica prohibición.

 Este símbolo indica un requisito que debe cumplirse.

ADVERTENCIA

Para evitar el riesgo de descargas eléctricas, incendio debido a cortocircuito, humo, quemadura o lesión.

-  ● No permita que los bebés y los niños jueguen con el material de embalaje. (Puede causar asfixia.)
- No desmonte, repare ni modifique este aparato.
 - Póngase en contacto con el vendedor o con un servicio técnico de Panasonic.



ADVERTENCIA



- **No dañe el cable de alimentación ni el enchufe eléctrico.**

Las siguientes acciones están terminantemente prohibidas:

Modificar, tocar o colocar cerca del elemento de calentamiento o superficies calientes, doblar, retorcer, tirar, colgar o tirar de bordes afilados, colocar objetos pesados sobre la parte superior, atar el cable de alimentación o transportar el aparato por el cable de alimentación.

- **No utilice el aparato si el cable de alimentación o el enchufe eléctrico está dañado o el enchufe eléctrico está mal conectado a la toma de la red eléctrica.**

→ Si el cable de alimentación está dañado, debe ser sustituido por el fabricante, su agente de servicio o persona similar cualificada con el fin de evitar situaciones de peligro.

- **No conecte o desconecte el enchufe eléctrico con las manos húmedas.**

- **No sumergir el aparato en agua ni salpicarlo con agua y / o ningún otro líquido.**

- **No toque, bloquee ni cubra los orificios de salida de vapor de agua durante el uso.**

- Preste una atención especial a los niños.



- **Pueden utilizar este aparato niños mayores de 8 años y personas con capacidades físicas, sensoriales o mentales reducidas, o que carezcan de experiencia y conocimientos, si están bajo supervisión o han recibido instrucción relativa al uso del aparato de forma segura y entienden los riesgos que supone.**

Los niños no deben jugar con el aparato.

La limpieza y el mantenimiento del usuario no deben realizarlos niños a menos que sean mayores de 8 años y estén bajo supervisión.

- **Mantenga el aparato y su cable de alimentación fuera del alcance de los niños menores de 8 años.**

- **Asegúrese de que el voltaje que se indica en la etiqueta del aparato sea el mismo que el de su suministro local.**

También evite conectar otros dispositivos en la misma toma de corriente eléctrica para evitar un sobrecalentamiento. Sin embargo, si conecta varios enchufes eléctricos, asegúrese de que la potencia total no exceda la potencia nominal de la toma de la red eléctrica.

- **Inserte el enchufe eléctrico con firmeza.**

- **Desempolve el enchufe eléctrico con regularidad.**

→ Desconecte el enchufe eléctrico, y limpie con un paño seco.



Precauciones de seguridad

Por favor, asegúrese de seguir estas instrucciones.

! ADVERTENCIA

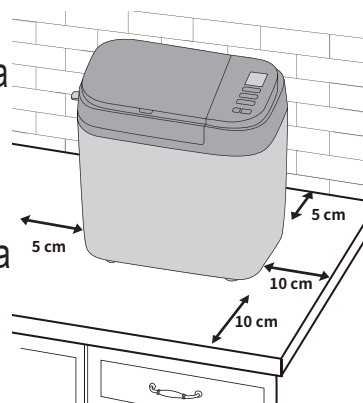
Para evitar el riesgo de descargas eléctricas, incendio debido a cortocircuito, humo, quemadura o lesión.

- **Interrumpa el uso del aparato de inmediato y desenchúfelo en el caso improbable de que deje de funcionar correctamente.**
Por ejemplo, en caso de funcionamiento inusual o avería:
 - El enchufe eléctrico y el cable de alimentación se ponen anormalmente calientes.
 - El cable de alimentación está dañado o la energía falla.
 - El cuerpo principal está deformado, presenta daños visibles o está anormalmente caliente.
 - Hay un sonido anormal al girar mientras está en uso.
 - Hay un olor desagradable.
 - Hay otra anomalía o error.→ Consulte en el lugar de compra o un centro de servicios Panasonic para su inspección o reparación.
- **No utilice el aparato si las partes del aparato están deformadas o dañadas tales como tener grietas o chips visibles.**
→ Consulte en el lugar de compra o un centro de servicios Panasonic para su inspección o reparación.

! PRECAUCIÓN

Para evitar el riesgo de descargas eléctricas, incendio, quemaduras, lesiones o daños materiales.

- **No utilice el aparato en los siguientes lugares.**
 - En superficies irregulares, electrodomésticos, (como una nevera) en materiales como manteles o alfombras, etc.
 - Lugares donde se puede salpicar con agua o cerca de una fuente de calor.→ Coloque el aparato sobre una encimera refractaria firme, seca, limpia y plana alejado al menos 10 cm del borde de la encimera y al menos 5 cm de paredes adyacentes y otros objetos.
- **No extraiga el recipiente del pan ni desenchufe la panificadora durante el uso.**
- **No utilice un temporizador externo, etc.**
 - Este aparato no se ha diseñado para funcionar mediante un temporizador externo ni con un sistema de control remoto independiente.





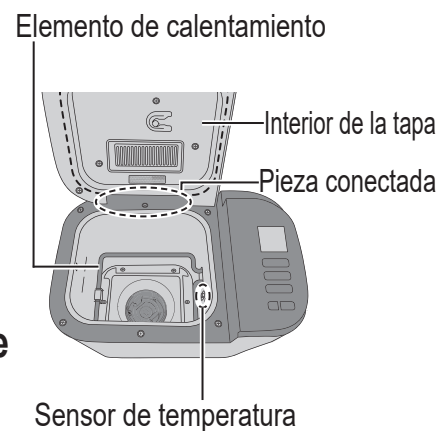
⚠ PRECAUCIÓN

- **No toque las zonas calientes como el recipiente del pan, el interior de la unidad, los elementos de calentamiento ni la parte interior de la tapa mientras se esté utilizando el aparato o después de cocinar.** Las superficies accesibles pueden alcanzar una gran temperatura durante el uso. Tenga cuidado con la fuente de calor residual especialmente después del uso.
→ Para evitar las quemaduras, utilice siempre guantes de horno para extraer el recipiente del pan o para tocar el pan acabado. (No utilice guantes de horno mojados.)
- **No inserte ningún objeto en las aberturas.**
- **No exceda las cantidades máximas de harina (600 g) y los ingredientes leudantes, como la levadura seca (7 g) o el levadura en polvo (13 g). (consulte la página SP9)**
- **Desconecte el enchufe eléctrico cuando no esté utilizando el aparato.**
- **Asegúrese de sostener el enchufe eléctrico al desconectarlo. Nunca tire del cable de alimentación.**
- **Antes de manipular, mover o limpiar el aparato, desenchúfelo y deje que se enfríe.**
- **Este producto se ha diseñado exclusivamente para un uso doméstico.**
- **Asegúrese de limpiar el aparato, especialmente las superficies en contacto con los alimentos después de su uso. (consulte la página SP8)**

Español

Información importante

- **No utilice el aparato al aire libre ni en habitaciones con mucha humedad, y no use una fuerza excesiva en las piezas que se ilustran a la derecha para evitar un mal funcionamiento o deformación.**
- **No utilice un cuchillo ni ninguna otra herramienta afilada para quitar los residuos.**
- **No deje caer el aparato para evitar que se dañe el aparato.**
- **No guarde ningún ingrediente o pan en el recipiente del pan.**

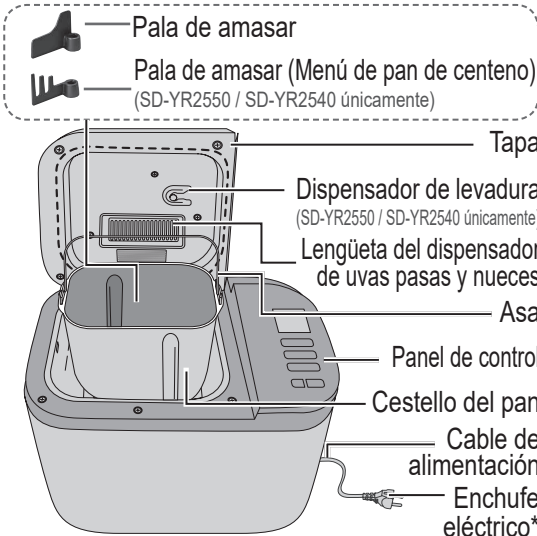


Este símbolo en el aparato indica “Superficie caliente que no debe tocarse sin precaución”.

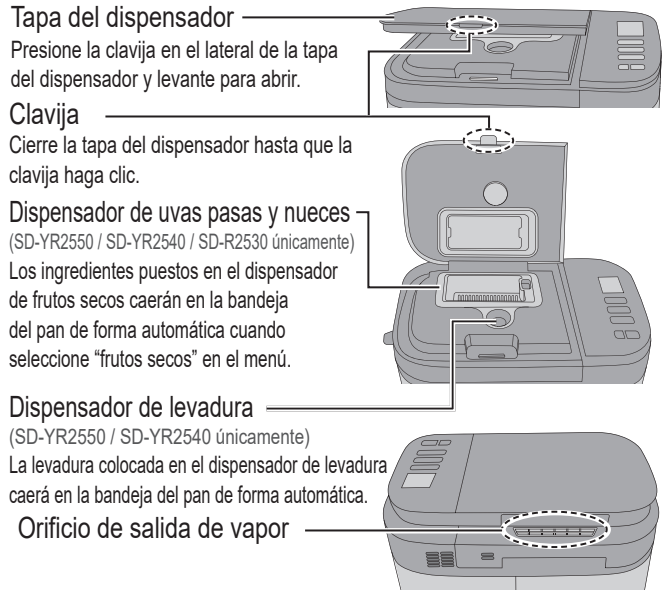
Nombres de los componentes e instrucciones

Unidad principal

- Las ilustraciones del producto en este manual de instrucciones están ejemplificadas por SD-YR2550.



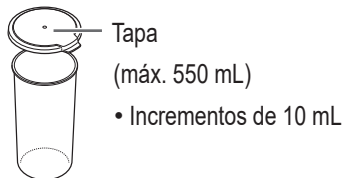
* La forma del enchufe eléctrico puede ser distinta de la ilustración.



Accesorios

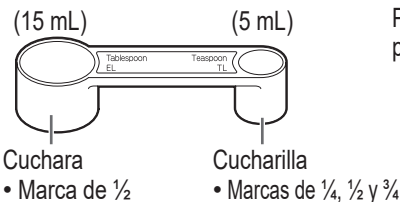
Taza de masa madre (SD-B2510: Vaso de medir)

Para medir líquidos, hacer masa madre



Cuchara de medir

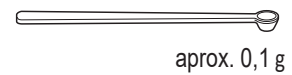
Para medir azúcar, sal, levadura, etc.



Cuchara de masa madre

(SD-YR2550 / SD-YR2540 / SD-R2530 únicamente)

Para medir la levadura de masa previa para pan de masa madre.



El recipiente del pan y la pala de amasar están recubiertos con un acabado antiadherente para evitar las manchas y para facilitar la extracción del pan.

- Para evitar que se dañe, siga las instrucciones que se indican a continuación.

- No utilice utensilios duros como un cuchillo o un tenedor cuando extraiga el pan del recipiente del pan. Si el pan no se puede extraer fácilmente del recipiente para pan, deje que el pan se enfríe durante 5–10 minutos y no lo deje sin vigilancia en un lugar donde alguien o algo se pueda quemar. Después, agite el recipiente del pan varias veces utilizando guantes de horno. (Sujete el asa de modo que no impida la salida del pan.)
- Asegúrese de que la pala de amasar no está incrustada en la barra de pan antes de cortarla. Si está incrustada, espere hasta que se enfríe la barra de pan y extráigala. (No utilice utensilios duros ni afilados como un cuchillo o un tenedor.) Tenga cuidado de no quemarse, ya que la pala de amasar puede estar caliente.
- Utilice una esponja suave cuando limpie el recipiente del pan y la pala de amasar. No utilice nada abrasivo, como por ejemplo productos de limpieza o estropajos.
- Los ingredientes duros, gruesos o grandes como las harinas con grano integral o molido, el azúcar o la adición de nueces y semillas pueden dañar el acabado antiadherente del recipiente del pan. Si va a utilizar algún ingrediente de gran tamaño, pártalo en trozos pequeños.
- Use solo la pala de amasar suministrada para este electrodoméstico.

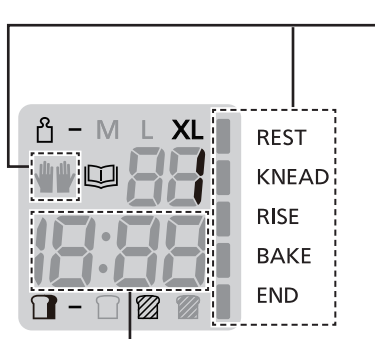


El recipiente del pan, la pala de amasar y el pan podrían estar muy calientes después del horneado. Siempre manipularlos con cuidado.



Panel de control y pantalla

- La imagen muestra todas las palabras y los símbolos pero solamente se mostrarán los que sean relevantes durante la operación.



Estado de funcionamiento

Se muestra para el estado actual del programa, excepto .
 : Proporcione una indicación de hacer una operación manual.

Visualización del tiempo

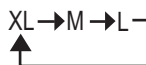
- Tiempo restante hasta que el pan esté listo.
- El menú requiere algunos pasos manuales, la pantalla mostrará el tiempo restante hasta empezar dicha operación después de pulsar el botón .

Menú

- Pulse o una vez para entrar al modo de configuración.
- Pulse o una vez para cambiar el número del Menú.
(Para avanzar más rápido, mantenga presionado el botón.)

Tamaño

Pulse este botón para elegir el tamaño.



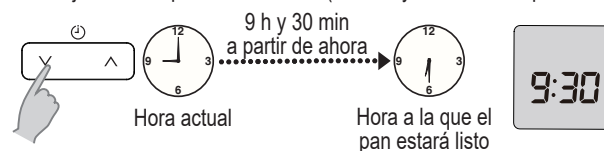
Corteza

Pulse este botón para elegir el color de la corteza.



Temporizador

- Ajuste el temporizador de retardo (tiempo hasta que el pan está listo).
 Para el menú disponible, se puede configurar en 13 horas (excepto el menú "Pan de masa madre", que solo se puede configurar en 9 horas).
 por ejemplo, ahora son las 9:00 de la noche y usted desea que el pan esté listo a las 6:30 de la mañana al día siguiente.
 → Ajuste el temporizador en 9:30 (9 horas y 30 minutos a partir de ahora).



- Establecer el tiempo para menú de dulces:

- Pulse este botón para aumentar el tiempo.
- Pulse este botón para reducir el tiempo.

(Para avanzar más rápido, pulse este botón una vez y manténgalo presionado.)

- Menú "Pastel"
Al pulsar el botón una vez, el tiempo de horneado se adelantará por 1 minuto.
- Menú "Solo cocción".
Presione el botón una vez para avanzar el tiempo de cocción, incluido el tiempo de cocción adicional en 1 minuto.
- Menú "Mermelada" y "Compota"
Presione el botón una vez para avanzar el tiempo de cocción en 10 minutos, pero el tiempo de cocción adicional será de 1 minuto.

Parar

Para cancelar la configuración o detener el programa. (Manténgalo presionado durante 1 segundo aproximadamente.)

Iniciar

Pulse este botón para iniciar el programa.

Indicador de estado

- El flash indica que la máquina está en estado configurado o se requiere operación manual.
Se puede pulsar el botón de .
- La luz siempre indica que la máquina está en el estado de ejecución del programa.
El botón de no se puede pulsar.
No se encenderá aunque esté enchufado.

Cuidados y Limpieza

Antes de la limpieza, desenchufe la máquina panificadora y espere a que se enfríe.

■ Para evitar dañar la máquina panificadora.

- No utilice nada que sea abrasivo. (productos de limpieza, estropajos, etc.)
- No lave ninguna pieza de la máquina panificadora en el lavavajillas.
- No utilice bencina, disolventes, alcohol ni lejía.
- Después de enjuagar las piezas lavables, séquelas con un paño. Mantenga siempre las piezas de la máquina panificadora limpias y secas.

Recipiente del pan & Pala de amasar

Retire la masa sobrante, Lave con una esponja suave o un cepillo de pastelería, luego séquelo bien.

- No sumerja en agua el recipiente del pan.
- Si resulta difícil retirar la pala de amasar, vierta agua caliente en el recipiente del pan y espere entre 5 minutos – 10 minutos. (No lo deje por un tiempo prolongado) No coloque agua caliente con jabón en el molde para pan.

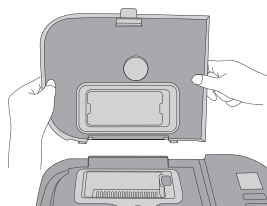
Exterior & Orificio de salida de vapor

- Límpiela con un paño húmedo.

Tapa del dispensador (SD-YR2550 / SD-YR2540 / SD-R2530 únicamente)

Retírela y lávela con agua. Séquelo completamente, especialmente la tapa del dispensador de levadura.

- Levante la tapa del dispensador hasta un ángulo de aproximadamente 75 grados. Alinee las conexiones y tire de él hacia arriba para quitarlo o empújelo con cuidado hacia atrás con el mismo ángulo para acoplarlo. (Espere hasta que la máquina se haya enfriado, ya que estará muy caliente inmediatamente después de utilizarla.)
- Tenga cuidado de no dañar la junta ni tirar de ella. (Si se daña podrían producirse fugas de vapor, condensación o deformaciones.)



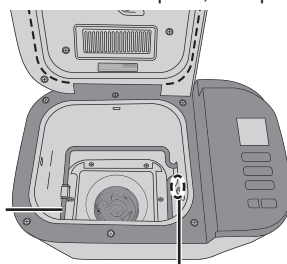
Interior

Retire los residuos de comida.

Use un paño húmedo para limpiar el interior de la máquina, excepto el elemento de calentamiento y el área del sensor de temperatura.

- El color del interior podría cambiar con el uso.

Elemento de calentamiento

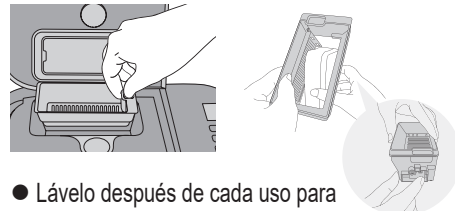


Sensor de temperatura

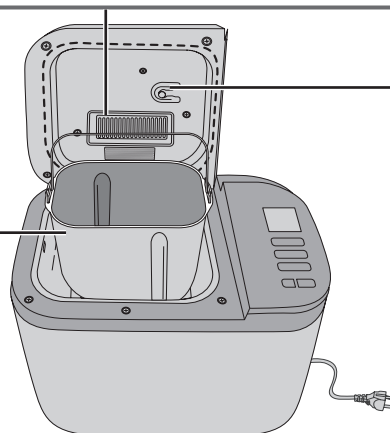
Dispensador de uvas pasas y nueces

(SD-YR2550 / SD-YR2540 / SD-R2530 únicamente)

Retírelo y lávelo con agua.



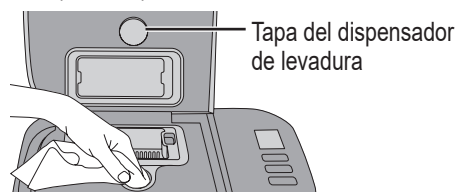
- Lávelo después de cada uso para eliminar los residuos.



Dispensador de levadura (SD-YR2550 / SD-YR2540 únicamente)

Límpielo con un paño húmedo y séquelo de forma natural.

- Si lo limpia con un paño seco, la levadura seca no caerá al recipiente del pan debido a la electricidad estática.



Tapa del dispensador de levadura

Tapa del dispensador de levadura

(SD-YR2550 / SD-YR2540 únicamente)

Limpie con un paño seco cuando esté húmedo.

Cuchara de medir y cuchara de masa madre

(SD-YR2550 / SD-YR2540 únicamente)

Lávelos con agua.

Tazas de masa madre (SD-B2510: Vaso de medir)

Lave con agua caliente y jabón y seque bien.



- No aptos para el lavavajillas

Especificaciones

	SD-YR2550	SD-YR2540	SD-R2530	SD-B2510
Alimentación	230 V ~ 50 Hz			
Consumo de energía	550 W			
Capacidad	(Harina fuerte para pan)	máx. 600 g	min. 400 g	
	(Harina fuerte para una masa)	máx. 600 g	min. 250 g	
	(Levadura seca)	máx. 7 g	min. 1,4 g	
	(Levadura en polvo)	máx. 13 g	min. 10 g	
Capacidad del dispensador de uvas pasas y nueces	Máx. 150 g Frutos secos / Nueces			—
Temporizador	Temporizador digital (hasta 13 horas)			
Dimensiones (An × AL × Pr)	Aprox. 40,8 × 36,2 × 25,2 cm			
Peso	Aprox. 7,5 kg	Aprox. 7,5 kg	Aprox. 7,0 kg	Aprox. 6,5 kg
Accesorios	1 tazas de masa madre, 1 cuchara de medir, 1 cuchara de masa madre			1 vaso de medir, 1 cuchara de medir
Ruido acústico emitido [dB(A) ref 1 pW]	60,68	60,68	58,68	58,68

Español

Eliminación de Aparatos Viejos

Solamente para la Unión Europea y países con sistemas de reciclado.

Este símbolo en los productos, su embalaje o en los documentos que los acompañen significa que los productos eléctricos y electrónicos usados no deben mezclarse con los residuos domésticos.

Para el adecuado tratamiento, recuperación y reciclaje de los productos viejos llévelos a los puntos de recogida de acuerdo con su legislación nacional.



Si los elimina correctamente ayudará a preservar valiosos recursos y evitará potenciales efectos negativos sobre la salud de las personas y sobre el medio ambiente. Para más información sobre la recogida o reciclaje, por favor contacte con su ayuntamiento. Puede haber sanciones por una incorrecta eliminación de este residuo, de acuerdo con la legislación nacional.

SP9



Dziękujemy za zakup tego produktu firmy Panasonic.

- Dla tego produktu dostępne są 2 instrukcje. Ta o nazwie „INSTRUKCJA OBSŁUGI”. Drugi to „INSTRUKCJA OBSŁUGI I PRZEPISY”. Należy uważnie przeczytać 2 instrukcje, aby używać produktu prawidłowo i bezpiecznie.
- Przed użyciem tego produktu, **należy zwrócić szczególną uwagę na część Uwagi dotyczące bezpieczeństwa (str. PL2 – PL5) i Ważne informacje (str. PL5) w tej instrukcji.**
- Zachowaj instrukcje do wykorzystania w przyszłości.
- Firma Panasonic nie ponosi żadnej odpowiedzialności, jeżeli urządzenie jest użytkowane w niewłaściwy sposób lub niezgodnie z zaleceniami niniejszej instrukcji obsługi.

Spis treści

INSTRUKCJA OBSŁUGI (Ta instrukcja)

Uwagi dotyczące bezpieczeństwa	PL2
Ważne informacje	PL5
Nazwy części i instrukcje.....	PL6
Czyszczenie i Konserwacja	PL8
Dane techniczne	PL9

INSTRUKCJA OBSŁUGI I PRZEPISY (Oddzielny wolumin) obejmują:

- Składniki wypieków
- Diagramy menu i opcje pieczenia
- Instrukcje postępowania
- Przepisy kulinarne
- Rozwiązywanie problemów

Uwagi dotyczące bezpieczeństwa Konieczne jest stosowanie się do poniższych instrukcji.

W celu zmniejszenia ryzyka obrażeń osób, porażenia prądem elektrycznym lub pożaru należy przestrzegać poniższych zaleceń:

■ Następujące znaki wskazują stopień obrażeń i uszkodzeń w przypadku nieprawidłowego użycia produktu.

	OSTRZEŻENIE:	Oznacza ryzyko poważnych obrażeń ciała lub śmierci.
	UWAGA:	Oznacza ryzyko obrażeń ciała niskiego stopnia lub uszkodzenia mienia.

■ Symbole są klasyfikowane i wyjaśniane w następujący sposób.

Ten symbol oznacza czynność zabronioną.	Ten symbol oznacza wymóg, który musi zostać spełniony.

OSTRZEŻENIE

Celem uniknięcia zagrożenia porażeniem prądem elektrycznym, pożarem z powodu zwarcia, dymu, oparzeń lub obrażeń.

- **Nie należy dopuścić, aby dzieci bawiły się elementami opakowania.**
(Może to stać się przyczyną uduszenia.)

PL2



OSTRZEŻENIE



- **Nie wolno rozbierać, naprawiać lub modyfikować urządzenia.**
→ W razie potrzeby należy skontaktować się ze sprzedawcą i oddać je do naprawy w autoryzowanym serwisie producenta.
- **Nie wolno uszkadzać wtyczki sieciowej ani przewodu zasilającego.**
Następujące działania są surowo zabronione:
Modyfikacja, dotykanie lub umieszczanie w pobliżu grzałek lub gorących powierzchni, zginanie, skręcanie, pociąganie, zawieszanie / prowadzenie przez ostre krawędzie, umieszczanie ciężkich przedmiotów na wierzchu, zwijanie głównego przewodu zasilającego lub przenoszenie urządzenia za przewód zasilania.
- **Nie wolno używać urządzenia, jeżeli przewód zasilający lub wtyczka sieciowa są uszkodzone lub wtyczka sieciowa jest niedokładnie podłączona do gniazdka sieciowego.**
→ Jeśli przewód zasilający jest uszkodzony, to dla uniknięcia zagrożenia, musi być on wymieniony przez producenta, serwisanta lub podobnie wykwalifikowaną osobę.
- **Nie podłączać ani nie odłączać wtyczki sieciowej wilgotnymi dłońmi.**
- **Nie zanurzać urządzenia w wodzie lub spryskiwać go wodą i / lub jakkolwiek cieczą.**
- **Nie wolno dotykać lub zakrywać otworów wentylacyjnych podczas pracy urządzenia.**
 - Zwracać szczególną uwagę na dzieci.



- **To urządzenie może być używane przez dzieci w wieku powyżej 8 lat, oraz osoby o ograniczonych zdolnościach fizycznych, sensorycznych lub umysłowych lub nie posiadające odpowiedniej wiedzy i doświadczenia, o ile zajmują się tym pod nadzorem lub otrzymały odpowiednie przeszkolenie odnośnie bezpiecznego korzystania z urządzenia i rozumieją występujące zagrożenia. Nie należy pozwalać dzieciom bawić się tym urządzeniem. Czyszczenie i konserwacja urządzenia przez dzieci powinny być wykonywane pod nadzorem i nie powinny być wykonywane przez dzieci w wieku poniżej 8 lat.**
- **Urządzenie oraz jego przewód zasilający powinny znajdować się poza zasięgiem dzieci w wieku poniżej 8 lat.**
- **Należy upewnić się, że napięcie wymienione na tabliczce znamionowej urządzenia jest zgodne z występującym w lokalnej sieci elektrycznej.**
Należy unikać podłączania innych urządzeń do tego samego gniazdka sieciowego, aby uniknąć jego przegrzewania. Jednakże, w przeciwnym przypadku należy upewnić się, że łączna moc podłączonych urządzeń nie przekracza dopuszczalnej mocy obciążenia dla danego gniazdka.
- **Dokładnie podłącz wtyczkę sieciową.**
- **Wtyczkę sieciową należy regularnie odkurzać.**
→ Odłącz wtyczkę sieciową i wytrzyj ją suchą ściereczką.



Uwagi dotyczące bezpieczeństwa

Konieczne jest stosowanie się do poniższych instrukcji.

⚠ OSTRZEŻENIE

Celem uniknięcia zagrożenia porażeniem prądem elektrycznym, pożarem z powodu zwarcia, dymu, oparzeń lub obrażeń.



- **Jeżeli urządzenie przestanie prawidłowo funkcjonować, należy natychmiast przerwać jego użytkowanie i niezwłocznie odłączyć je od sieci.**

Np. w przypadku nietypowego zachowania lub uszkodzenia objawiającego się:

- Wtyczka sieciowa i przewód zasilający stały się wyjątkowo gorące.
 - Przewód zasilający jest uszkodzony lub zasilanie urządzenia uległo uszkodzeniu.
 - Obudowa urządzenia uległa deformacji, ma widoczne uszkodzenia lub jest wyjątkowo gorąca.
 - Występują nietypowe odgłosy podczas pracy urządzenia.
 - Pojawia się nieprzyjemny zapach.
 - Występuje inna anomalia w pracy urządzenia lub uszkodzenie.
- Skontaktuj się ze sprzedawcą lub serwisem producenta w celu inspekcji lub naprawy.

- **Nie używaj urządzenia, jeśli jego części są zdeformowane lub uszkodzone, na przykład mają widoczne pęknięcia lub odpryski.**

→ Skontaktuj się ze sprzedawcą lub serwisem producenta w celu inspekcji lub naprawy.

⚠ UWAGA

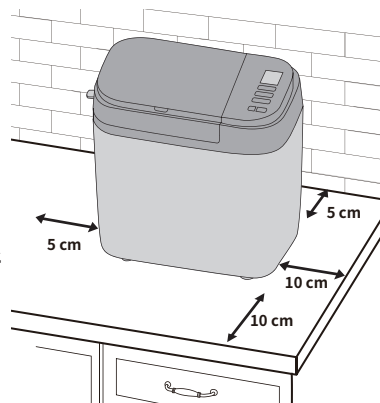
Celem uniknięcia zagrożenia porażeniem prądem elektrycznym, pożarem, oparzeniem, obrażeniami lub uszkodzeniem mienia.



- **Nie należy ustawiać urządzenia w następujących miejscach:**

- Na nierównych powierzchniach, na urządzeniach elektrycznych, takich jak lodówka, na takich materiałach jak obrusy lub na dywanach, itp.
- W miejscu, gdzie może zostać opryskane wodą lub w pobliżu źródła ciepła.

→ Umieścić urządzenie na twardej, suchej, czystej, płaskiej odpornej na ciepło powierzchni roboczej co najmniej 10 cm od krawędzi powierzchni roboczej i co najmniej 5 cm od przylegających ścian oraz innych przedmiotów.





- **Nie należy wyjmować formy do pieczenia lub odłączać urządzenia podczas pracy.**

- **Nie używać zewnętrznego timera itp.**

• Niniejsze urządzenie nie jest przeznaczone do pracy pod kontrolą zewnętrznego timera lub osobnego systemu zdalnego sterowania.



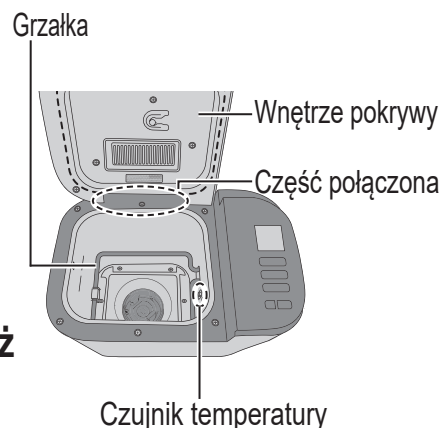
UWAGA

-  ● Podczas pracy urządzenia lub po zakończeniu pieczenia nie wolno dotykać gorących powierzchni, takich jak forma do pieczenia, wewnątrz urządzenia, grzałka i wewnątrz pokrywy. Powierzchnie dostępne mogą rozgrzać się w czasie pracy. Uważać na źródła ciepła resztkowego po użyciu.
 - W celu uniknięcia oparzeń, podczas wyjmowania formy do pieczenia lub upieczonego chleba, zawsze należy korzystać z rękawic kuchennych. (Nie należy używać wilgotnych rękawic kuchennych.)
- Nie należy wkładać żadnych przedmiotów w szczeliny urządzenia.
- Nie przekraczać maksymalnej ilości mąki (600 g) i substancji spulchniających, takich jak suche drożdże (7 g) lub proszek do pieczenia (13 g). (Patrz str. PL9)
-  ● Odłącz wtyczkę sieciową, gdy urządzenie nie jest w użyciu.
- Przy odłączaniu zasilania należy trzymać za wtyczkę sieciową. Nie wolno ciągnąć za przewód zasilający.
- Przed obsługą, przemieszczaniem lub czyszczeniem, wyłącz wtyczkę urządzenia z gniazdka i pozwól na ochłodzenie urządzenia.
- Ten produkt przenoszony jest wyłącznie do użytku domowego.
- Po użyciu należy oczyścić urządzenie, zwłaszcza powierzchnie mające kontakt z żywnością. (Patrz str. PL8)

Polski

Ważne informacje

- Celem uniknięcia uszkodzeń lub odkształceń urządzenia nie wolno używać na zewnątrz, w pomieszczeniach o dużej wilgotności lub wywierać nadmiernej siły na części, które pokazano na rysunku po prawej stronie.
- Nie używać noża ani innego ostrego narzędzia do usuwania resztek.
- Nie upuszczaj elementów urządzenia, ponieważ może to grozić jego uszkodzeniem.
- Nie wolno przechowywać w formie do pieczenia żadnych składników ani pieczywa.



Ten symbol umieszczony na urządzeniu oznacza „Powierzchnia, która może być gorąca i nie należy dotykać jej bez zachowania szczególnej ostrożności”.

PL5

Nazwy części i instrukcje

Urządzenie

- Ilustracje produktu zamieszczone w niniejszej instrukcji dotyczą przykładu modelu SD-YR2550.



* Kształt wtyczki może różnić się od przedstawionego na ilustracji.

Pokrywa dozownika

Naciśnij żeberko z boku pokrywki dozownika i unieś je, aby otworzyć.

Żebro

Zamknij pokrywę dozownika, aż żebro zaskoczy.

Dozownik bakalii

(Tylko SD-YR2550 / SD-YR2540 / SD-R2530)

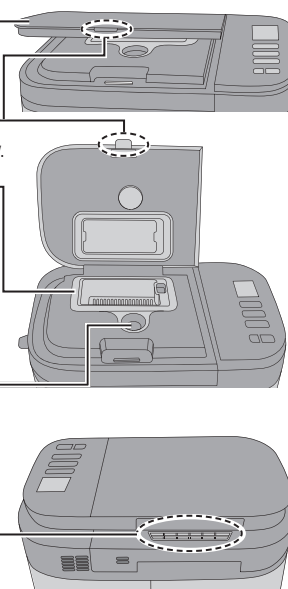
Składniki umieszczone w dozowniku na dodatki automatycznie wpadną do formy do chleba po wybraniu programu „Dodatki”.

Dozownik drożdży

(Tylko SD-YR2550 / SD-YR2540)

Suche drożdże umieszczone w dozowniku drożdży automatycznie wpadną do formy do chleba.

Otworki wentylacyjne



Akcesoria

Kubek do zakwasu (SD-B2510: Kubek z miarką)

Do odmierzania płynnych składników przygotowywania startera zakwasu.



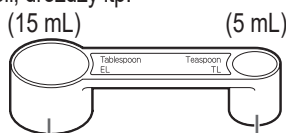
Pokrywa

(maks. 550 mL)

- Podziałka co 10 mL

Łyżeczka do odmierzania

Do odmierzania potrzebnej ilości cukru, soli, drożdży itp.



Łyżka stołowa
• oznaczenie ½

Łyżeczka do herbaty
• oznaczenia ¼, ½, ¾

Łyżeczka do startera zakwasu

(Tylko SD-YR2550 / SD-YR2540 / SD-R2530)

Do odmierzania drożdży do startera zakwasu.



około 0,1 g

Forma do pieczenia i nóż do wyrabiania ciasta pokryte są specjalną powłoką nieprzywierającą ułatwiającą czyszczenie i wyjmowanie wypieków.

- Aby uniknąć jej uszkodzenia, należy stosować się do poniższych zaleceń.

- Podczas wyjmowania wypieków z formy do pieczenia nie wolno korzystać z żadnych twardych przyborów kuchennych, takich jak noże lub widelce. Jeżeli nie można łatwo wyjąć wypieku z formy do pieczenia, należy pozostawić go na 5–10 min do ostygnięcia, zwracając uwagę, aby nie został pozostawiony w miejscu, gdzie ktoś lub coś mogłoby się nim poparzyć. Po upływie tego czasu należy, korzystając z rękawic kuchennych, kilkakrotnie potrząsnąć formą do pieczenia. (Patrz krok 8 w rozdziale „Pieczenie chleba” w „Instrukcji obsługi i przepisach”) (Należy przytrzymać uchwyt, aby nie znalazł się na drodze wypadającego wypieku).
- Przed pokrojeniem pieczywa, należy upewnić się, że nóż do wyrabiania ciasta nie pozostał uwięziony we wnętrzu wypieku. W takim przypadku należy poczekać, aż bochenek ostygnie i ostrożnie go usunąć. (Nie wolno w tym celu używać żadnych ostrych przyborów, takich jak nóż lub widelec). Należy uważać, aby się nie poparzyć, ponieważ nóż do wyrabiania ciasta nadal może być gorący.
- Do czyszczenia formy do pieczenia oraz noża do wyrabiania ciasta, należy używać wyłącznie miękkiej gąbki. Nie wolno stosować żadnych agresywnych środków, takich jak proszki do szorowania lub szorstkie zmywaki.
- Twarde, szorstkie lub duże składniki, takie jak mąka z całymi lub łamanymi ziarnami, kryształki cukru lub dodatki w postaci orzechów lub nasion, mogą uszkodzić powłokę nieprzywierającą formy do pieczenia. W przypadku używania składników w dużych kawałkach, należy podzielić je na małe fragmenty. Należy postępować zgodnie z informacjami dotyczącymi dodatkowych składników (patrz „Dodatkowe składniki” w „Instrukcji obsługi i przepisach”) oraz ilościami podanymi w poszczególnych przepisach.
- Do tego urządzenia używaj jedynie dołączonego noża do wyrabiania ciasta.

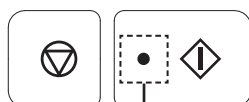
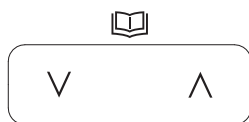
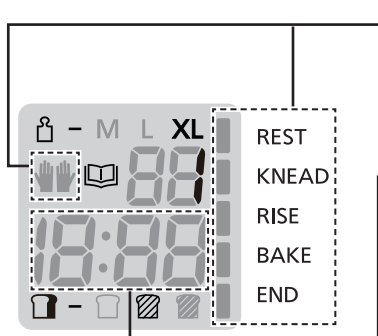
Forma do pieczenia, nóż do wyrabiania ciasta i sam wypiek mogą być gorące po upieczeniu. Należy obchodzić się z nimi ostrożnie.





Panel sterujący i wyświetlacz

- Na rysunku widoczne są wszystkie komunikaty i symbole, ale podczas pracy wyświetlane będą tylko właściwe dla danej sytuacji.



Stop

Aby anulować ustawienie / zatrzymać program.
(Przytrzymaj przez około 1 sekundę.)

Start

Naciśnij przycisk, by uruchomić program.

Wskaźnik stanu

- Lampa błyskowa wskazuje, że maszyna jest w stanie ustawień lub wymagana jest ręczna obsługa.

Można nacisnąć przycisk .

- Światło zawsze wskazuje, że urządzenie działa. Nie można nacisnąć przycisku .

Nie włączy się nawet przy podłączonym urządzeniu.

Stan pracy

Wyświetlane dla bieżącej fazy programu oprócz .

- : Wskaż, że wykonujesz ręczną operację.
(Patrz „Diagramy menu i opcje pieczenia”, aby uzyskać informacje na temat programu dostępnego w sekcji „INSTRUKCJA OBSŁUGI I PRZEPISY”).

Pokazywanie czasu

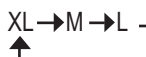
- Czas pozostały do zakończenia programu.
- Menu wymaga podjęcia ręcznych czynności. Na wyświetlaczu pojawi się czas pozostały do upieczenia chleba po naciśnięciu przycisku .

Menu

- Naciśnij przycisk lub jeden raz, aby włączyć tryb ustawień.
- Naciśnij ponownie lub , aby zmienić numer programu.
(Przytrzymaj przycisk, aby szybciej przejść dalej.) (Patrz „Diagramy menu i opcje pieczenia”, aby uzyskać informacje na temat programu dostępnego w sekcji „INSTRUKCJA OBSŁUGI I PRZEPISY”).

Wielkość wypieku

Naciśnij przycisk, by wybrać wielkość wypieku. (Patrz „Diagramy menu i opcje pieczenia”, aby uzyskać informacje na temat programu dostępnego w sekcji „INSTRUKCJA OBSŁUGI I PRZEPISY”).



Skórka

Naciśnij przycisk, by wybrać kolor przyrumienienia. (Patrz „Diagramy menu i opcje pieczenia”, aby uzyskać informacje na temat programu dostępnego w sekcji „INSTRUKCJA OBSŁUGI I PRZEPISY”).

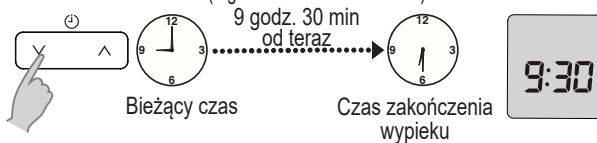


Timer

- Ustawienie timera opóźniającego (ustawienie czasu, po którym wypiek ma być gotowy). Dla dostępnego menu, ustawić można do 13 godzin (poza menu „Rustykalne z zakwasu”, które można ustawić do 9 godz.). (Patrz „Diagramy menu i opcje pieczenia”, aby uzyskać informacje na temat programu dostępnego w sekcji „INSTRUKCJA OBSŁUGI I PRZEPISY”).

np.: Jest godzina 21:00, a chcesz, aby chleb był gotowy o godzinie 6:30 następnego poranka.

→ Ustaw timer na 9:30 (9 godzin i 30 minut od teraz).



- Ustaw czas na słodkie menu:

Naciśnij przycisk, by zwiększyć czas.

Naciśnij przycisk, by zmniejszyć czas.

(Aby przesunąć się szybciej, naciśnij ten przycisk raz, a następnie przytrzymaj.)

- Menu „Ciasto”
Naciśnięcie tego przycisku przedłuży czas pieczenia o dodatkową 1 minutę.

- Menu „Sam wypiek”
Naciśnięcie przycisku jeden raz przyspieszy czas pieczenia, w tym dodatkowy czas pieczenia o 1 minutę.

- Menu „Dżem” i „Kompot”
Naciśnięcie przycisku jeden raz przyspieszy czas gotowania o 10 minut, ale dodatkowy czas gotowania zostanie przyspieszony o 1 minutę.

Czyszczenie i Konserwacja

Przed czyszczeniem odłącz urządzenie od sieci i pozwól mu ostygnąć.

■ Aby uniknąć uszkodzenia urządzenia.

- Nie używaj żadnych agresywnych środków. (proszków do szorowania, zmywaków itp.)
- Żadnej części maszyna nie należy myć w zmywarce.
- Do czyszczenia nie wolno używać benzyny, rozpuszczalników, alkoholu lub wybielaczy.
- Po umyciu, wszystkie elementy należy wytrzeć do sucha szmatką. Zawsze przechowuj urządzenie czyste i suche.

Forma do pieczenia i nóż do wyrabiania ciasta

Usunąć resztki ciasta, umyć miękką gąbką lub pędzelkiem do smarowania ciasta, a następnie dokładnie wysuszyć.

- Nie zanurzaj formy do pieczenia w wodzie.
- Jeśli nóż do wyrabiania ciasta trudno jest wyjąć, wlej ciepłą wodę do formy do pieczenia i odczekaj 5 – 10 minut. (Nie pozostawiaj na zbyt długo.) Nie wlewaj ciepłej wody z mydłem do formy do pieczenia chleba.

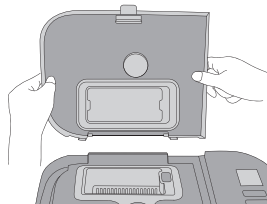
Części zewnętrzne i otwory wentylacyjne

- Wycieraj wilgotną szmatką.

Pokrywa dozownika (Tylko SD-YR2550 / SD-YR2540 / SD-R2530)

Zdejmij i umyj wodą. Wysusz całkowicie, szczególnie pokrywę dozownika drożdży.

- Unieś pokrywę dozownika pod kątem około 75°. Dopasuj połączenia i pociągnij do góry, aby zdjąć lub naciśnij ostrożnie z powrotem pod tym samym kątem, aby zamocować. (Poczekaj uprzednio, aż urządzenie ostygnie, ponieważ bezpośrednio po użyciu te elementy są bardzo gorące.)
- Uważaj, aby nie uszkodzić ani nie wyciągnąć uszczelki. (Jej uszkodzenie może doprowadzić do przenikania pary wodnej, jej kondensacji lub deformacji elementów.)

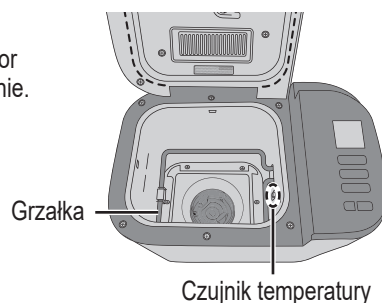


Wnętrze urządzenia

Usunąć resztki jedzenia.

Wycierać wilgotną szmatką wnętrze maszyny poza grzałką i okolicami czujnika temperatury.

- Przy częstym użyciu, kolor wnętrza może ulec zmianie.



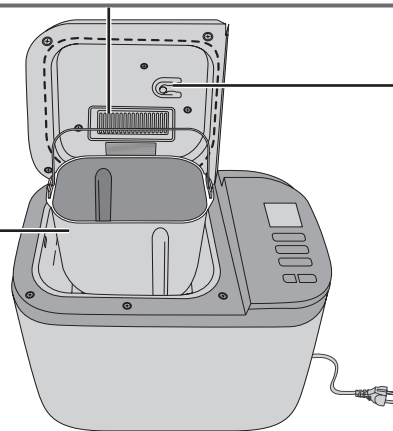
Dozownik bakalii

(Tylko SD-YR2550 / SD-YR2540 / SD-R2530)

Wymij i umyj wodą.



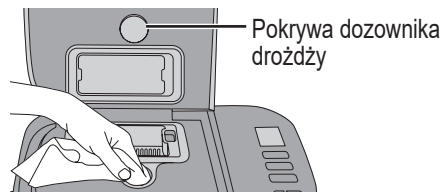
- Myj po każdym użyciu, aby usuwać wszelkie pozostałości.



Dozownik drożdży (Tylko SD-YR2550 / SD-YR2540)

Wytrzyj wilgotną ściereczką i pozostaw do naturalnego wyschnięcia.

- W przypadku wycierania suchą ściereczką, suszone drożdże nie będą potem wpadały do formy do pieczenia utrzymywane siłą powstałych podczas tarcia ładunków elektrostatycznych.



Pokrywa dozownika drożdży (Tylko SD-YR2550 / SD-YR2540)

Wytrzyj suchą ściereczką, jeżeli jest wilgotny.

Łyżeczka do odmierzania i łyżeczka do odmierzania startera (Tylko SD-YR2550 / SD-YR2540)

Umyj pod bieżącą wodą.

Kubki do przygotowywania startera zakwasu (SD-B2510: Kubek z miarką)

Umyć ciepłą wodą z mydłem i dobrze wysuszyć.

Umyć ciepłą wodą z mydłem i dobrze wysuszyć.



- Nie nadają się do mycia w zmywarce



Dane techniczne

	SD-YR2550	SD-YR2540	SD-R2530	SD-B2510
Zasilanie	230 V ~ 50 Hz			
Pobierana moc	550 W			
Pojemność	(Mąka na chleb)	maks. 600 g	min. 400 g	
	(Mąka na ciasto)	maks. 600 g	min. 250 g	
	(Suszone drożdże)	maks. 7 g	min. 1,4 g	
	(Proszek do pieczenia)	maks. 13 g	min. 10 g	
Pojemność dozownika bakalii	Maks. 150 g Suszone owoce / Orzechy			—
Timer	Timer cyfrowy (opóźnienie do 13 godzin)			
Wymiary (szer. × wys. × głęb.)	Okolo 40,8 × 36,2 × 25,2 cm			
Masa	Okolo 7,5 kg	Okolo 7,5 kg	Okolo 7,0 kg	Okolo 6,5 kg
Akcesoria	1 kubek do zakwasu, 1 łyżeczka do odmierzenia, 1 łyżeczka do startera zakwasu			1 kubek z miarką, 1 łyżeczka do odmierzenia
Emitowany hałas [dB(A) ref 1 pWE]	60,68	60,68	58,68	58,68

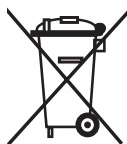
Polski

Pozbywanie się zużytych urządzeń elektrycznych i elektronicznych

Dotyczy wyłącznie obszaru Unii Europejskiej oraz krajów posiadających systemy zbiórki i recyklingu.

Niniejszy symbol umieszczony na produktach, opakowaniach i / lub w dokumentacji towarzyszącej oznacza, że nie wolno mieszać zużytych urządzeń elektrycznych i elektronicznych z innymi odpadami domowymi / komunalnymi.

W celu zapewnienia właściwego przetwarzania, utylizacji oraz recyklingu zużytych urządzeń elektrycznych i elektronicznych, należy oddawać je do wyznaczonych punktów gromadzenia odpadów zgodnie z przepisami prawa krajowego.



Poprzez prawidłowe pozbywanie się zużytych urządzeń elektrycznych i elektronicznych pomagasz oszczędzać cenne zasoby naturalne oraz zapobiegać potencjalnemu negatywnemu wpływowi na zdrowie człowieka oraz na stan środowiska naturalnego.

W celu uzyskania informacji o zbiórce oraz recyklingu zużytych urządzeń elektrycznych i elektronicznych prosimy o kontakt z władzami lokalnymi.

Za niewłaściwe pozbywanie się tych odpadów mogą grozić kary przewidziane przepisami prawa krajowego.

PL9



Děkujeme vám za nákup výrobku Panasonic.

- Pozorně si přečtěte pokyny, abyste používali produkt správně a bezpečně.
- Před použitím tohoto produktu **věnujte zvýšenou pozornost částem Bezpečnostní opatření (str. CZ2– CZ5) a Důležité informace (str. CZ5) v těchto pokynech.**
- Pokyny uschovejte pro budoucí použití.
- Společnost Panasonic nepřijme žádnou odpovědnost v případech, kdy byl spotřebič používán v rozporu s tímto návodem.

Obsah

Bezpečnostní opatření.....	CZ2
Důležité informace.....	CZ5
Názvy součástí a pokyny.....	CZ6
Čištění a údržba.....	CZ8
Technické údaje.....	CZ9

Bezpečnostní opatření

Bezpečnostní pokyny
důsledně dodržujte.

Postupujte podle následujících pokynů, abyste se vyhnuli zranění, úrazu elektrickým proudem nebo požáru:

■ **Následující obrázky symbolizují závažnost škod, které mohou nastat vinou nesprávné obsluhy.**



VAROVÁNÍ:

Označuje potenciální nebezpečí, které může skončit vážným zraněním nebo úmrtím.



UPOZORNĚNÍ:

Označuje potenciální nebezpečí, které může skončit lehčím zraněním nebo škodou na majetku.

■ **Symbole mají následující význam:**



Tento symbol představuje zákaz.



Tento symbol uvádí požadavky, které je třeba dodržet.



VAROVÁNÍ

Zabraňte úrazu elektrickým proudem, požáru způsobenému zkratem, kouři, popálení nebo zranění.



● **Obalový materiál nedávejte dětem na hrani.**
(Mohly by se jím udusit.)

● **Spotřebič nerozebírejte, neopravujte, ani neupravujte.**

→ Poradte se v prodejně nebo v servisním středisku Panasonic.



VAROVÁNÍ



- **Dávejte pozor, abyste nepoškodili napájecí kabel nebo zástrčku kabelu.**

Následující činnosti jsou přísně zakázány:

Kabel neupravujte, nedotýkejte se jej, nepokládejte do blízkosti topných těles nebo horkých povrchů, neohýbejte, nekroutěte, netahejte za něj, nezavěšujte / netahejte přes ostré hrany, nestavějte na něj těžké předměty, nesmotávejte ani nepřenášejte spotřebič za napájecí kabel.

- **Spotřebič nepoužívejte s poškozeným napájecím kabelem a v případě, že je zástrčka kabelu v zásuvce volná.**

→ Poškodí-li se napájecí kabel, musí jej vyměnit výrobce, servisní technik nebo osoby s podobnou kvalifikací, aby se vyloučilo riziko úrazu elektrickým proudem.

- **Nemanipulujte se zástrčkou kabelu, máte-li mokré ruce.**
- **Spotřebič nenamáčejte a neoplachujte vodou ani jinou tekutinou.**
- **Během pečení se nedotýkejte ventilačních otvorů a nezakrývejte je.**
 - Dávejte zvláště pozor na děti.



- **Tento spotřebič mohou používat děti starší 8 let a osoby s omezenými fyzickými, mentálními schopnostmi a poruchami vnímání, nedostatkem zkušeností a znalostí, pokud jsou pod dohledem, případně pokud obdržely instrukce k bezpečnému použití spotřebiče a chápou možná rizika.**

Děti by si se spotřebiči neměly hrát.

Čištění a údržbu by neměly provádět děti, pokud nedosáhly věku alespoň 8 let a nedohlíží na ně dospělá osoba.

- **Spotřebič a jeho napájecí kabel udržujte mimo dosah dětí mladších 8 let.**
- **Zkontrolujte, jestli se napětí na štítku výrobku shoduje s napětím Vaší elektrické instalace.**

Nepřipojujte další zařízení ke stejné elektrické zásuvce, aby se zabránilo přehřívání. Nebudete-li mít jinou možnost, než připojit ke stejné zásuvce ještě jiné spotřebiče, zkontrolujte, že součet jejich jmenovitých příkonů nepřekročí jmenovitou hodnotu proudu zásuvky.
- **Zástrčku kabelu zasuňte bezpečně do zásuvky.**
- **Pravidelně zbavujte prachu zástrčku kabelu.**

→ Zástrčku kabelu vytáhněte ze zásuvky a otřete suchou utěrkou.

⚠ VAROVÁNÍ

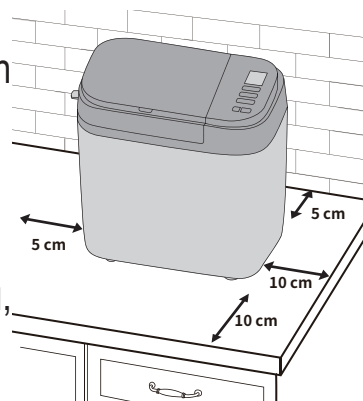
Zabraňte úrazu elektrickým proudem, požáru způsobenému zkratem, kouři, popálení nebo zranění.

- **Pokud by spotřebič přestal správně fungovat, i když je to málo pravděpodobné, ihned jej přestaňte používat.**
Příklady nesprávné funkce nebo poruchy:
 - Napájecí kabel a zástrčka kabelu se nezvykle zahřívají.
 - Je poškozený napájecí kabel nebo do spotřebiče nejde proud.
 - Kryt spotřebič je deformovaný, viditelně poškozený nebo se nezvykle zahřívá.
 - Motor během provozu vydává nezvyklý hluk.
 - Je cítit nepříjemný zápach.
 - Projevila se jiná porucha nebo poškození.→ Informujte se v prodejně nebo v servisním středisku Panasonic o možnosti kontroly nebo opravy.
- **Spotřebič nepoužívejte v případě, že části spotřebič je deformovaný nebo poškozený, jako mající viditelné trhliny nebo čipy.**
→ Informujte se v prodejně nebo v servisním středisku Panasonic o možnosti kontroly nebo opravy.

⚠ UPOZORNĚNÍ

Zabraňte nebezpečí úrazu elektrickým proudem, požáru, popálení, zranění nebo poškození majetku.

- ⊘ ● **Spotřebič nepoužívejte na následujících místech:**
 - Na křivých plochách, na elektrických spotřebičích (například ledničky), na materiálech, jako jsou ubrusy nebo koberce apod.
 - Na místech, kam stříká voda, nebo blízko zdrojů tepla.→ Spotřebič umístěte na pevnou, suchou, čistou, rovnou a žáruvzdornou pracovní plochu alespoň 10 cm od kraje a alespoň 5 cm od přilehlých stěn nebo ostatních předmětů.



- **Během činnosti pekárný nevyjímejte pečící nádobu a neodpojujte spotřebič ze zásuvky.**
- **Nepoužívejte externí časovač atd.**
 - Tento spotřebič nelze ovládat externím časovačem nebo pomocí samostatného dálkového ovladače.



! UPOZORNĚNÍ

- **Během pečení nesahejte na horké plochy, jako je pečicí nádoba, vnitřní povrch, topné těleso nebo vnitřní strana víka. Je-li spotřebič v provozu nebo bezprostředně po něm, mohou být přístupné části výrobku horké.** Během používání se přístupné plochy mohou zahřívat. Dávejte pozor na zbytkové teplo zejména po použití.
→ Když vyjímáte z pekárny pečicí nádobu nebo hotový chléb, používejte chňapky, abyste se nespálili. (Chňapky nesmějí být mokré.)
- **Do otvorů ve spotřebiči nestrkejte žádné předměty.**
- **Nepřekračujte maximální množství mouky (600 g) a kypřících přísad, jako jsou sušené kvasnice (7 g) nebo prášek do pečiva (13 g). (Viz str. CZ9.)**
- **Jestliže se spotřebič nepoužívá, odpojte napájecí kabel ze zásuvky.**
- **Při odpojování spotřebiče od napájení tahejte za zástrčku. Netahejte za samotný napájecí kabel.**
- **Před manipulací, přemístováním nebo čištěním spotřebič odpojte od elektrické zásuvky a nechte vychladnout.**
- **Výrobek je určen jen pro použití v domácnosti.**
- **Po použití nezapomeňte spotřebič vyčistit, zejména plochy, které přicházejí do styku s potravinami. (Viz str. CZ8.)**

Důležité informace

- **Tento spotřebič nepoužívejte venku, v místnostech, kde je vysoká vlhkost vzduchu, ani nepoužívejte nadměrnou sílu při kontaktu s díly na obrázku vpravo (mohlo by dojít k poruše nebo deformaci).**
- **K odstraňování zbytků nepoužívejte nůž ani jiné ostré nástroje.**
- **Dávejte pozor, aby Vám spotřebič nespadol, mohl by se poškodit.**
- **V pečicí nádobě neskladuje přísady ani hotové pečivo.**

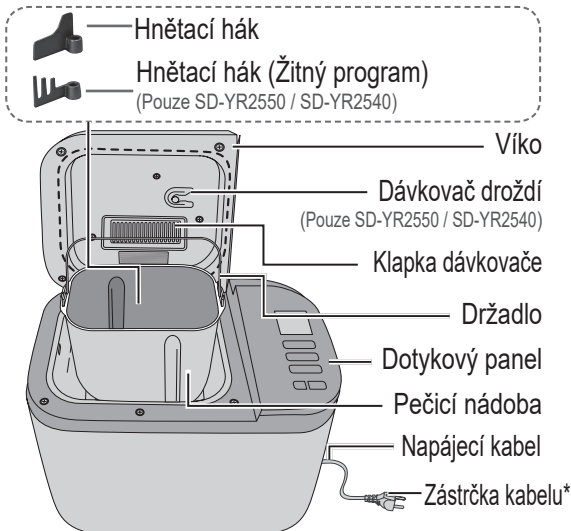


Tento symbol na spotřebiči upozorňuje: „Horký povrch, dotýkat se opatrně“.

Názvy součástí a pokyny

Hlavní jednotka

- Zobrazení produktu v tomto návodu je uvedena na příkladu SD-YR2550



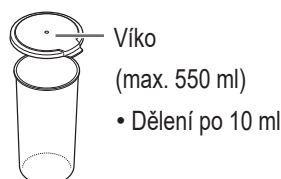
* Tvar zástrčky kabelu se může od obrázku lišit.



Příslušenství

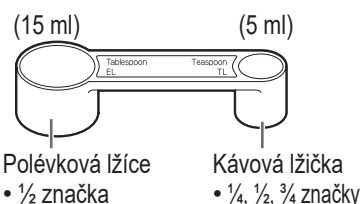
Nádobka na kvásek (SD-B2510: Odměrka)

Na odměření tekutin, na přípravu kvásku.



Odměrka

K dávkování cukru, soli, droždí atd.



Lžička na kvásek

(Pouze SD-YR2550 / SD-YR2540 / SD-R2530)

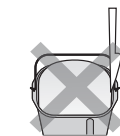
Na odměření dávky kvasnic do kvásku.



Pečící nádoba a hnětací hák jsou opatřeny nepřilnavou povrchovou úpravou, aby se na ně nelepilo těsto a upečený chléb se snáze vyklápěl.

■ Dodržujte následující pokyny, abyste tuto úpravu neporušili:

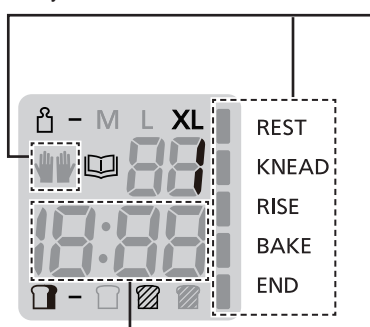
- Při vyklápění chleba z nádoby nepoužívejte ostré předměty jako např. nůž, vidličku apod. Pokud chléb nejde z pečící nádoby snadno vyklopit, nechte nádobu 5–10 minut, ale nenechávejte ji bez dozoru, aby se o ni někdo nespálil. Potom s pomocí chňapek nádobou zatřeste. (Držadlo přitom držte tak, aby nebránilo vyklopení chleba.)
- Než budete bochník krájet, přesvědčte se, že v něm nezůstal hnětací hák. Jestliže hák zůstal uvězněn v bochníku, počkejte, až chléb vychladne, a potom hák vyjměte. (Nepoužívejte přitom ostré předměty, jako je nůž nebo vidlička.) Buďte opatrní, abyste se nespálili, protože hák může být ještě horký.
- Při čištění nádoby a hnětacího háku můžete použít měkkou houbičku. Nepoužívejte čisticí prášky a jiné abrazivní prostředky.
- Tvrdé, křehké nebo velké přísady, jako je třeba mouka s celými zrny, cukr, ořechy nebo semena, mohou poškodit nepřilnavý povrch nádoby nebo hnětacího háku. Kusové přísady nakrájejte na menší kousky. Dodržujte množství uvedená v receptech.
- Používejte pouze hnětací hák dodaný s tímto spotřebičem. Pečící nádoba, hnětací hák i chléb mohou být po pečení velmi horké. Vždy jednejte opatrně.



Názvy součástí a pokyny

Ovládací panel a displej

- Na obrázku jsou uvedena všechna slova a veškeré symboly, ale během provozu se zobrazují pouze odpovídající slova a symboly.



Provozní stav

Zobrazí se pro aktuální stav programu vyjma .
 : Poskytuje informace o ručním provozu.

Zobrazení času

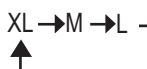
- Čas zbývající do dokončení programu.
- Menu vyžadovalo několik manuálních kroků, na displeji se zobrazí zbývající čas do zahájení procesu po stisknutí tlačítka .

Menu

- Jedním stisknutím nebo přejdete do režimu nastavení.
- Dalším stisknutím nebo změníte číslo menu.
 (Chcete-li programy měnit rychleji, tlačítko přidržte.)

Velikost

Stisknutím tohoto tlačítka vyberte velikost.



Kůrka

Stisknutím tohoto tlačítka vyberte barvu kůrky.



Časovač

- Nastavte časovač zpoždění (čas dohřívání, aby byl chléb hotový). Podle zvoleného menu lze časovač nastavit až na 13 hodin (vyjma programu „Selský kváskový“, u kterého lze nastavit maximálně pouze 9 hodin).
 Příklad: teď je 21:00 hodin a ráno v 6:30 chcete mít čerstvě upečený chléb.
 → Časovač nastavte na 9:30 (za 9 hodin a 30 minut).



- Nastavení času pro sladká menu:

- Tímto tlačítkem se čas prodlouží.
- Tímto tlačítkem se čas zkrátí.

(Pro zrychlení postupu stiskněte a podržte toto tlačítko.)

- Nabídka „Dort“
 Jednou stisknutím tlačítka se dodatečné doby pečení změní o 1 minutu.
- Nabídka „Jen pečení“
 Po jednom stisku tlačítka se doba pečení, včetně dodatečné doby pečení, prodlouží o 1 minutu.
- Nabídka „Džem“ a „Kompot“
 Po jednom stisku tlačítka se doba pečení prodlouží o 10 minut, ale dodatečná doba pečení se prodlouží o 1 minutu.

Stop

Chcete-li zrušit nastavení / zastavit program.
 (Stiskněte a podržte přibližně 1 sekundu.)

Start

Stisknutím tohoto tlačítka spustíte program.

Indikátor stavu

- Blikání znamená, že spotřebič je v nastaveném stavu, nebo je potřebná ruční obsluha.
 Může se stisknout tlačítko .
- Stálé světlo znamená, že spotřebič je ve stavu probíhajícího programu.
 Tlačítko nelze stisknout.
 Nezapne se, i když je zapojeno.

Čištění a údržba

Než budete spotřebič čistit, odpojte jej ze zásuvky a nechte vychladnout.

■ Aby se spotřebič nepoškodil.

- Nepoužívejte čisticí prostředky s obsahem prášku. (čisticí prášky, utěrky apod.)
- Žádnou část pekárny nemyjte v myčce.
- Nepoužívejte benzín, ředidla, alkohol nebo bělidla.
- Po opláchnutí omyvatelných částí vše osušte utěrkou. Součásti pekárny udržujte stále čisté a suché.

Pečicí nádoba a hnětací hák

Odstraňte veškeré zbytky těsta, umyjte měkkou houbičkou nebo mašlovačkou a osušte.

- Pečicí nádobu neponořujte do vody celou.
- Pokud hnětací hák nelze snadno vyjmout, nalijte do pečicí nádoby teplou vodu a počkejte 5 – 10 minut. (Nenechávejte to příliš dlouho.) Nedávejte horkou mýdlovou vodu do pekáče na chleba.

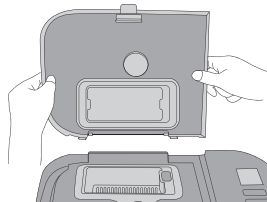
Vnější části a otvory pro únik páry

- Otřete vlhkou utěrkou.

Víčko dávkovače (Pouze SD-YR2550 / SD-YR2540 / SD-R2530)

Vyjměte a omyjte vodou. Důkladně osušte, zejména víko dávkovače droždí.

- Víčko zvedněte do úhlu asi 75 stupňů. Zorientujte spojení a zatlačením směrem nahoru vyjměte nebo opatrným zatlačením zpět pod stejným úhlem nasadte. (Nejdříve nechte pekárnu vychladnout, protože po pečení je uvnitř hodně horká.)
- Dávejte pozor, abyste nepoškodili nebo nevytáhli těsnění. (Poškozeným těsněním uniká pára, dochází ke kondenzaci a může se deformovat víko.)

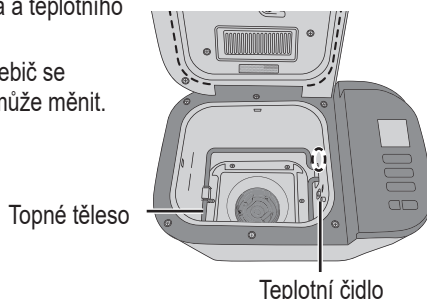


Vnitřek

Odstraňte zbytky potravin.

K vyčištění vnitřku spotřebič použijte vlhký hadřík, vyhněte se přitom oblasti topného tělesa a teplotního čidla.

- Barva vnitřku spotřebič se během používání může měnit.



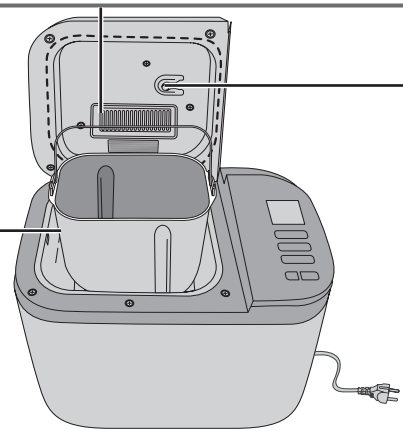
Dávkovač rozinek nebo oříšků

(Pouze SD-YR2550 / SD-YR2540 / SD-R2530)

Vyjměte a omyjte vodou.



- Omyjte jej po každém použití, aby v něm nezůstaly žádné zbytky.



Dávkovač droždí (Pouze SD-YR2550 / SD-YR2540)

Očistěte navlhčeným hadříkem a nechte normálně vyschnout.

- Vyčistíte-li dávkovač suchou utěrkou, sušené droždí nevypadne kvůli účinkům statické elektřiny.



Víčko dávkovače droždí (Pouze SD-YR2550 / SD-YR2540)

Otřete suchou utěrkou pokud je vlhké.

Odměrka a lžička na kvásek

(Pouze SD-YR2550 / SD-YR2540)

Umývejte vodou.

Kelímky na kvásek (SD-B2510: Odměrka)

Omyjte teplou mýdlovou vodou a dobře vysušte.



- Tyto předměty nejsou uzpůsobeny pro mytí v myčce.



Technické údaje

	SD-YR2550	SD-YR2540	SD-R2530	SD-B2510
Napájení	230 V ~ 50 Hz			
Příkon	550 W			
Objem	(Mouka na chléb)	max. 600 g	min. 400 g	
	(Mouka na těsto)	max. 600 g	min. 250 g	
	(Sušené droždí)	max. 7 g	min. 1,4 g	
	(Prášek do pečiva)	max. 13 g	min. 10 g	
Kapacita dávkovače přísad	Max. 150 g Sušené ovoce / Oříšky			—
Časovač	Digitální časovač (až 13 hodin)			
Rozměry (Š × V × H)	Přibližně 40,8 × 36,2 × 25,2 cm			
Hmotnost	Přibl. 7,5 kg	Přibl. 7,5 kg	Přibl. 7,0 kg	Přibl. 6,5 kg
Příslušenství	1 kelímky na kvásek, 1 odměrka, 1 lžička na kvásek			1 odměrka, 1 dávkovací lžička
Hlučnost [dB(A) ref 1 pWE]	60,68	60,68	58,68	58,68

Česky

Likvidace vysloužilých zařízení

Jen pro státy Evropské unie a země s fungujícím systémem recyklace a zpracování odpadu.

Tento symbol na výrobcích, jejich obalech a v doprovodné dokumentaci upozorňuje na to, že se vysloužilá elektrická a elektronická zařízení nesmějí likvidovat jako běžný komunální odpad.



Aby byla zajištěna správná likvidace a recyklace použitých výrobků, odevzdávejte je v souladu s národní legislativou na příslušných sběrných místech.

Správnou likvidací přispějete k úspoře cenných přírodních zdrojů a předejdete možným negativním dopadům na lidské zdraví a životní prostředí.

O další podrobnosti o sběru a recyklaci odpadu požádejte místní úřady.

Při nesprávné likvidaci tohoto druhu odpadu se vystavujete postihu podle národní legislativy.



Köszönjük, hogy Panasonic terméket vásárolt.

- E termékhez 2 használati utasítás tartozik. Ez a „KEZELÉSI ÚTMUTATÓ”. A másik „KEZELÉSI KÉZIKÖNYV ÉS RECEPTEK”A termék helyes és biztonságos használata érdekében olvassa el mind a 2 utasítást.
- A termék használata előtt , vegye különösen figyelembe a **Biztonsági óvintézkedések (HU2 – HU5 oldal) és Fontos információk (HU5 oldal) című fejezeteket.**
- Kérjük, őrizze meg az utasításokat a jövőbeni használatra.
- A Panasonic nem vállal felelősséget a készülék rendellenes működtetéséből, vagy a kezelési útmutatóban leírtak figyelmen kívül hagyásából eredő károkért.

Tartalom

KEZELÉSI ÚTMUTATÓ (Ezek az utasítások)

Biztonsági óvintézkedések.....	HU2
Fontos információk	HU5
A részek megnevezése és útmutatások	HU6
Tisztítás és gondozás	HU8
Műszaki adatok.....	HU9

KEZELÉSI KÉZIKÖNYV ÉS RECEPTEK (Külön kötet) magában foglalja:


Szükséges hozzávalók
Menüábrázatok és Sütési Lehetőségek
Kezelési Tanácsok
Receptek
Hibaelhárítás


Biztonsági óvintézkedések

A következőkben leírtakat feltétlenül tartsa be.

A személyi sérülés, elektromos áramütés és tűz kockázatának csökkentése érdekében vegye figyelembe a következőket:

■ **A következő jelzések a készüléket helytelen használata esetén bekövetkező ártalom és sérülés fokát jelzik.**

 FIGYELEM!	Olyan veszélyhelyzetre hívja fel a figyelmet, mely súlyos sérülést vagy halált okozhat.
--	---

 VIGYÁZAT:	Olyan veszélyhelyzetre hívja fel a figyelmet, mely könnyű sérülést vagy anyagi kárt okozhat.
--	--

■ **A jelzések besorolása és magyarázata a következő.**

 Ez a szimbólum tiltást jelez.	 Ez a szimbólum olyan követelményeket jelent, amelyeket be kell tartani.
---	---

FIGYELEM


Rövidzárlat, füst, égés és egyéb sérülés miatti áramütés és tűz kockázatának csökkentéséhez.


 ● **Ügyeljen arra, hogy csecsemők, gyermekek ne játsszanak a csomagolási anyaggal. (Ez fulladást okozhat.)**

HU2



FIGYELEM

-  ● **Ne szedje szét, ne akarja javítani vagy módosítani a készüléket.**
 - Forduljon az üzlethez, ahol a készüléket vásárolta, vagy a Panasonic - szervizhez.
- **Ne károsítsa a hálózati kábelt, illetve a hálózati csatlakozó.**

A következő műveletek szigorúan tiltottak:
Átalakítás, fűtőtest vagy forró felületek érintése, illetve azok közelébe helyezés, hajlítás, csavarás, húzás, az éles felületekre történő akasztás / a rajtuk történő áthúzás, nehéz tárgyak ráhelyezése, a hálózati kábel nyalábolása, illetve a készülék hordozása a hálózati kábellel.
- **Ne használja a készüléket, ha a hálózati kábel vagy a hálózati csatlakozó sérült, illetve a hálózati csatlakozó lazán csatlakozik a hálózati csatlakozóaljzathoz.**
 - A veszélyek elkerülése érdekében a cseréltesse ki a sérült hálózati kábelt a gyártónál, márkaszervizben vagy hasonlóan képzett szakemberrel.
- **Ne csatlakoztassa, illetve ne húzza ki a hálózati csatlakozót nedves kézzel.**
- **Ne merítse a készüléket vízbe, illetve ne fröcsköljön rá vizet és / vagy más folyadékot.**
- **Használat közben a szellőzőnyílásokat ne érintse meg, ne zárja vagy ne takarja le.**
 - Ilyen szempontból különösen ügyeljen a gyerekekre.
-  ● **Ezt a készüléket 8 éven felüli gyermekek illetve csökkent fizikai, érzékelési és szellemi képességekkel rendelkező, illetve az ilyen eszközök használatában és ismeretében teljesen járatlan személyek csak akkor használhatják, ha azt felügyelet mellett teszik, vagy a készülék biztonságos használatáról megfelelő útbaigazítást kaptak, és megértették a vele járó veszélyeket.**

Ne játszanak a gyerekek a készülékkel!
A készülék tisztítását és karbantartását ne végezzék gyerekek, csak ha már 8 évesnél idősebbek, és felügyelet mellett teszik.
- **A készüléket és hálózati kábelét tartsa távol a 8 évnél fiatalabb gyerekektől.**
- **Gondoskodjon róla, hogy a készülék címkéjén jelzett feszültség megegyezzen a hálózati feszültséggel.**

Továbbá, ne csatlakoztasson több eszközt ugyanahhoz a hálózati aljzathoz, a túlmelegedés megelőzése érdekében. Amennyiben több hálózati csatlakozót csatlakoztat egy konnektorhoz, ügyeljen arra, hogy azok összteljesítménye ne haladja meg a háztartási csatlakozó aljzat névleges teljesítményfelvételét.
- **Szorosan dugja be a hálózati csatlakozót.**
- **Rendszeresen tisztítsa meg a hálózati csatlakozót a portól.**
 - Húzza ki a hálózati csatlakozót és törölje le azt egy száraz ronggyal.



Biztonsági óvintézkedések

A következőkben leírtakat feltétlen tartsa be.

⚠ FIGYELEM

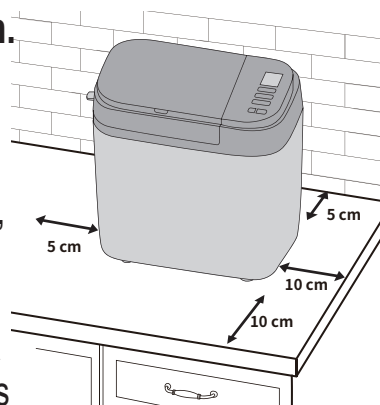
Rövidzárlat, füst, égés és egyéb sérülés miatti áramütés és tűz kockázatának csökkentéséhez.

- **Ha esetleg rendellenes működést tapasztal, azonnal kapcsolja ki a készüléket, és húzza ki a hálózati csatlakozót a konnektorból.**
A rendellenesség vagy meghibásodás tünetei / okai például a következők:
 - A hálózati csatlakozó és a hálózati kábel szokatlanul felforrósodik.
 - A hálózati kábel megsérül, vagy a készülék leáll.
 - A készüléktest eldeformálódik, látható sérülés keletkezik rajta, vagy szokatlanul felforrósodik.
 - Rendellenes működési zaj hallható használat közben.
 - Szokatlan szag érződik.
 - Egyéb rendellenesség vagy hiba.→ Vegye fel a kapcsolatot a kereskedővel, ahol vásárolta a terméket, vagy a Panasonic márkaszervizzel kivizsgálás vagy javítás céljából.
- **Ne használja a készüléket, ha a készülék részei deformálódtak vagy megsérültek, például látható repedések vagy forgácsok vannak.**
→ Vegye fel a kapcsolatot a kereskedővel, ahol vásárolta a terméket, vagy a Panasonic márkaszervizzel kivizsgálás vagy javítás céljából.

⚠ VIGYÁZAT

Az áramütés, tűz, égési vagy egyéb sérülés, illetve anyagi kár kockázatának csökkentése.



- **Ne használja a készüléket az alábbi helyeken.**
 - Egyenetlen felületeken, elektromos készülékeken, mint például hűtőgépen, textíliákon, mint például asztalterítőn vagy padlószőnyegen stb.
 - Olyan helyeken ahol víz csöpöghet a készülékre, illetve hőforrások közelében.→ A készüléket stabil, száraz, tiszta, sík és hőálló munkalapra helyezze, legalább 10 cm távolságra a szélétől és legalább 5 cm távolságra a szomszédos falaktól és egyéb tárgyaktól.



- **Működés közben ne vegye ki a kenyértartályt, és ne húzza ki a hálózati csatlakozót a konnektorból.**
- **Ne használjon külső időzítőt stb.**
 - A készülék külső időzítő készülékről, vagy külön távvezérlő rendszerről nem működtethető.

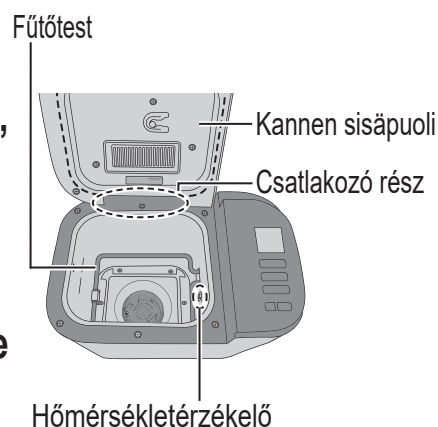


VIGYÁZAT

-  ● **Használat közben vagy sütés után ne érintse meg a forró részeket, mint a kenyértartály, a fűtőtest vagy a tetőlap belseje.**
A kézzel érinthető területek használat közben felhevülhetnek. Ügyeljen a maradékhő forrásra, különösen használat után.
→ Az égési sérülések elkerülése érdekében, amikor kiemeli a kenyértartályt vagy a kész kenyeret, mindig vegye fel a konyhai fogókesztyűt. (Ne használjon nedves fogókesztyűt.)
- **Ne helyezzen semmilyen tárgyat a résekbe.**
- **Ne lépje túl a liszt (600 g) és kelesztő hozzávalók, pl. száraz élesztő (7 g) és sütőpor (13 g) maximálisan megengedett mennyiségét (lásd: HU9. oldal).**
-  ● **Húzza ki a hálózati csatlakozódugaszt, amikor a készülék nincs használatban.**
- **A készüléket a hálózati csatlakozódugónál fogva kell leválasztani a hálózatról. Soha ne a hálózati vezeték húzza.**
- **A készülék kezelése, áthelyezése vagy tisztítása előtt húzza ki a hálózatból és hagyja lehűlni.**
- **Ez a termék kizárólag háztartási használatra készült.**
- **Használat után mindenképp tisztítsa meg a készüléket, különösen az étellel érintkező felületeket. (lásd: HU8. oldal)**

Fontos információk

- **Ne használja a készüléket a szabadban, magas páratartalmú helyiségekben, illetve ne erőltesse a jobb oldalon ábrázolt alkatrészeket, mert ellenkező esetben üzemzavar vagy alaktorzulás következhet be.**
- **Ne használjon kést vagy egyéb éles eszközt a maradványok eltávolításához.**
- **Ne ejtse le a készüléket a károsodás elkerülése érdekében.**
- **Ne tároljon hozzávalókat vagy kenyeret a kenyértartályban.**



Magyar



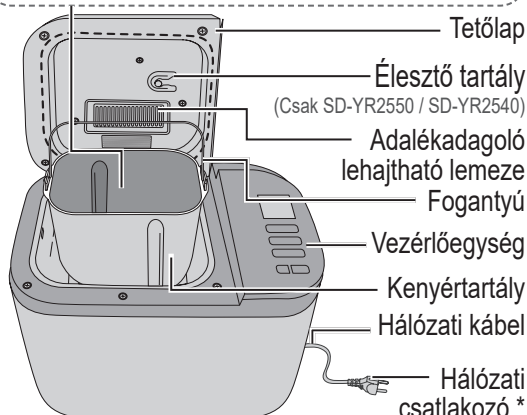
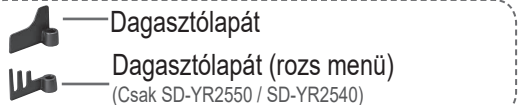
Ez a szimbólum a készüléken azt jelzi, hogy „Forró felület, ne érjen hozzá óvatlanul!”.

HU5

A részek megnevezése és útmutatások

Fő egység

- Ebben a kezelési útmutatóban a SD-YR2550 típusú illusztráljuk a terméket



* A hálózati csatlakozó alakja eltérhet a képen láthatótól.

Adalékadagoló fedőlap

Nyomja meg a gombot az adagoló fedél oldalán, nyitáshoz emelje fel.

Bordázat

Csukja be a adalékadagoló fedőlap, amíg a borda nem kattán.

Kiemelhető adalékadagoló

(Csak SD-YR2550 / SD-YR2540 / SD-R2530)

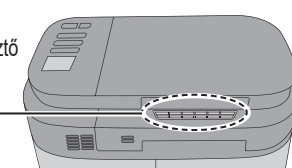
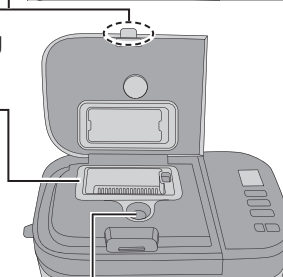
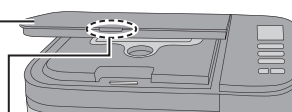
A mazsola-dió adagolóba helyezett hozzávalók automatikusan a kenyérsütőbe esnek, ha a „mazsola-dió” menüt választja.

Élesztő tartály

(Csak SD-YR2550 / SD-YR2540)

Az élesztő adagolóba helyezett száraz élesztő automatikusan a kenyérsütőbe esik.

Szellőzőnyílás



Tartozékok

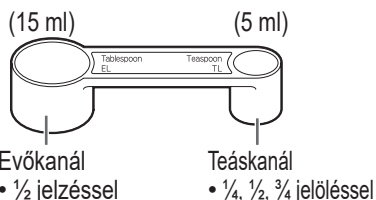
Élesztős pohár (SD-B2510: Mérőpohár)

Folyadékok mérésére, kovász készítéséhez.



Mérőkanál

Cukor, só, élesztő stb. kimérésére.



Kovász (indító) kanál

(Csak SD-YR2550 / SD-YR2540 / SD-R2530)

A kovász élesztő kimérésére.



A kenyértartályt és a dagasztólapátot teflonbevonat borítja, így a szennyeződés könnyen eltávolítható.

- A bevonat védelme érdekében vegye figyelembe az alábbi tájékoztatást.

- Amikor kiveti a kenyeret a kenyértartályból, semmilyen kemény eszközzel, például kés vagy villa, ne próbálja elősegíteni a kiemelést.
Ha a kenyeret nem lehet könnyen kivenni a tartályból, hagyja azt 5–10 percre hűlni, felügyelve arra, hogy senki vagy semmi ne égessen meg tőle. Ezután konyhai fogóeszközzel megfogva rázza meg párszor. (Lásd a 8. lépést a „Kenyérsütés” a „KEZELÉSI KÉZIKÖNYV ÉS RECEPTEK”) (Fogja meg a fogantyút, hogy az ne legyen a kenyér útjában.)
- A kenyér felvágása előtt ellenőrizze, hogy a dagasztólapát nem ágyazódott-e be a kenyérbe.
Ha igen, várjon, amíg kihűl a kenyér, majd vegye ki.
(Ne használjon semmilyen kemény vagy éles tárgyat, például kés vagy villa.)
Vigyázzon, nehogy megégesse magát, mert a dagasztólapát még forró lehet.
- Tisztításánál puha szivaccsal törölje át a kenyértartályt és a dagasztólapátot.
Ne alkalmazzon semmilyen súrolószert pl. tisztítószert vagy súrolópárnát.
- A kemény, durva vagy nagy szemű alkotóelemek, mint a teljes kiőrlésű liszt, melyekben gabonaszemek, cukor vagy adalékanyagok vannak, mint dió és különböző magvak, károsíthatják a kenyértartály teflonbevonatát.
Amikor nagyméretű alkotóelemeket tesz a kenyérbe, ezeket előzőleg törje kisebb darabokra. Tekintse meg az **Adalékanyagokra** vonatkozó információkat (lásd „Adalékanyagok” a „KEZELÉSI KÉZIKÖNYV ÉS RECEPTEK”) és a receptben meghatározott mennyiségeket.
- Csak a készülékkel szállított dagasztólapátot használja.

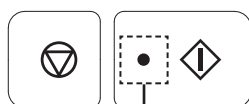
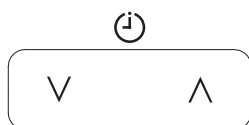
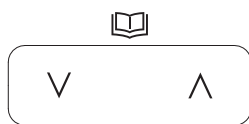
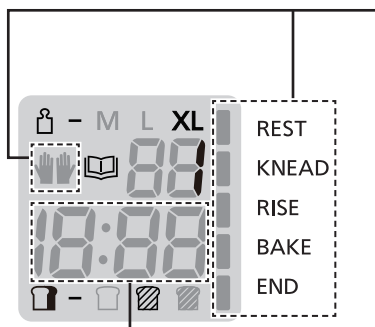
A sütést követően a kenyértartály, a dagasztólapát és a kenyér nagyon forró lehet. Mindig óvatosan fogja meg ezeket.





Vezérlőegység és kijelző

- A képen az összes szó és szimbólum megjelenik, a művelet során azonban csak azok jelennek meg, amelyek a művelethez szükségesek.



- Állj**
 A beállítás visszavonásához / a program leállításához.
 (Tartsa megérintve kb. 1 másodpercig.)

- Indít**
 Nyomja meg ezt a gombot a program indításához.

- Állapotjelző**
 - A villogás azt jelzi, hogy a gép be van állítva, vagy manuális művelet szükséges.
Az gomb megnyomható.
 - Ha folyamatosan világít az azt jelenti, hogy a gép programot hajt végre.
Az gomb nem nyomható meg. Nincs bekapcsolva vagy bedugaszolva.

Működési állapot

A program aktuális fázisánál jelenik meg kivéve az .

: A manuális működésről tájékoztat.

(Az elérhető menüpontokat lásd a „Menütablázatok és sütési lehetőségek” a „KEZELÉSI KÉZIKÖNYV ÉS RECEPTEK”)

Megjelenített idő

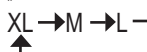
- A program befejezésig még hátralévő időtartam.
- A menü bizonyos műveletet igényelt. A kijelző megjeleníti a fennmaradó időt, amíg a művelet elindul az gomb megnyomása után.

Menü

- Nyomja meg egyszer a vagy a gombot, hogy belépjen a beállítási módba.
- Nyomja meg újra a vagy a gombot a menü számának megváltoztatásához.
(A gyorsabb léptetéshez tartsa lenyomva a gombot.) (Az elérhető menüpontokat lásd a „Menütablázatok és sütési lehetőségek” a „KEZELÉSI KÉZIKÖNYV ÉS RECEPTEK”)

Méret

A méret kiválasztásához nyomja meg ezt a gombot. (Az elérhető menüpontokat lásd a „Menütablázatok és sütési lehetőségek” a „KEZELÉSI KÉZIKÖNYV ÉS RECEPTEK”)



Kenyérhéj

Nyomja meg ezt a gombot a kenyérhéj színének kiválasztásához. (Az elérhető menüpontokat lásd a „Menütablázatok és sütési lehetőségek” a „KEZELÉSI KÉZIKÖNYV ÉS RECEPTEK”)

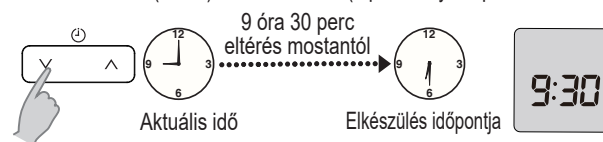


Időzítő

- A késleltetési időt állítja be (ameddig elkészül a kenyér). Az elérhető menük esetében legfeljebb 13 órára állítható be (a „Kovász” menü kivételével, amely legfeljebb 9 órára állítható be). (Az elérhető menüpontokat lásd a „Menütablázatok és sütési lehetőségek” a „KEZELÉSI KÉZIKÖNYV ÉS RECEPTEK”)

Például: Most este 9:00 óra van, és azt szeretné, hogy a kenyér másnap reggel 6:30 percre legyen kész.

→ Az időzítőt (Timer) állítsa 9:30 - ra (a pillanatnyi időponttól 9 óra 30 perc eltérés).



- Az édes menük időbeállítása:
 - Nyomja meg ezt a gombot az idő növeléséhez.
 - Nyomja meg ezt a gombot az idő csökkentéséhez.

(A gyorsabb léptetés érdekében nyomja meg ezt a gombot egyszer, majd tartsa lenyomva.)

- „Sütemény” menü
A gomb megnyomásával a sütési idő 1 perccel hosszabb lesz.
- „Csak sütés” menü
A gomb egyszeri megnyomásával 1 perccel állítja előre a sütési időt, beleértve a további sütési időt.
- „Lekvár” és „Befőtt” menü
A gomb egyszeri megnyomásával 10 perccel állítja előre a főzési időt, de a további főzési idő 1 perc lesz.

Magyar

Tisztítás és gondozás

Tisztítás előtt a hálózati csatlakozódugaszt húzza ki a konnektorból, és várja meg, hogy lehűljön a kenyérsütő.

■ A gép károsodásának elkerülése érdekében.

- Ne használjon semmilyen csiszolóanyagot. (tisztítószert, súrolópárnát stb.)
- A kenyérsütő gép semmilyen részét se tegye mosogatógépbe.
- Ne használjon benzint, oldószert, alkoholt vagy fehérítőszert a tisztításhoz.
- A mosható részek eltávolítása után ruhával törölje át a gépet. A kenyérsütőt és alkatrészeit mindig tartsa tisztán és szárazon.

Kenyértartály és dagasztólapát

Távolítsa le minden maradék tésztát, Mossa el egy puha szivaccsal vagy kenőecsettel, majd alaposan szárítsa meg.

- A kenyértartályt ne merítse vízbe.
- Ha nehezen lehet eltávolítani a dagasztópengét, öntsön meleg vizet a kenyértartály, és várjon 5 – 10 percig. (Nenechávejte to příliš dluho.) Nedávej horkou mýdlovou vodu do pekáče na chleba.

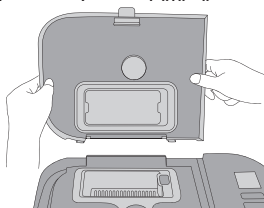
Külső és Szellőzőnyílás

- Törölje át egy nedves ruhadarabbal

Adalékadagoló fedőlap (csak SD-YR2550 / SD-YR2540 / SD-R2530)

Távolítsa el és mossa le vízzel. Törölje telj az élesztőadagoló fedelét.

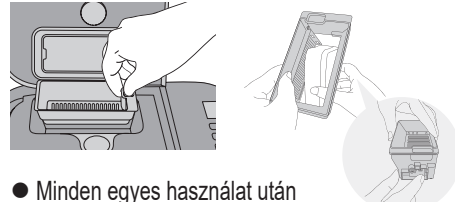
- Az adalékadagoló fedelét emelje meg kb. 75 fokos szögben. Igazítsa egy vonalba a csatlakozásokat, és húzza felfelé az eltávolításhoz, vagy tolja óvatosan visszafelé ugyanabban a szögben a rögzítéshez. (Először várja meg, hogy lehűljön a készülék, mert közvetlenül a használat után az még nagyon forró.)
- Vigyázzon, hogy ne sértse meg a tömítést. (A tömítés megsérülése esetén gőz juthat ki a készülékből, páralecsapódás vagy deformálódás alakulhat ki.)



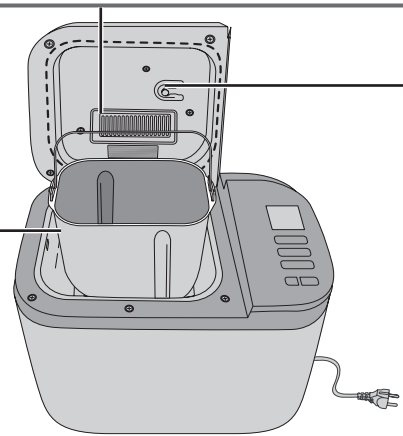
Kiemelhető adalékadagoló

(csak SD-YR2550 / SD-YR2540 / SD-R2530)

Távolítsa el és mossa le vízzel.



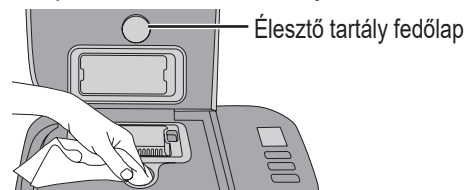
- Minden egyes használat után mossa le, hogy semmi ne maradjon rajta.



Élesztő tartály (Csak SD-YR2550 / SD-YR2540)

Törölje le egy nedves ruhadarabbal, majd hagyja megszáradni.

- Ha száraz ruhadarabbal törli le, a megszáradt élesztő nem fog a kenyérsütőbe esni az elektrosztatikusság következtében.



Élesztő tartály fedőlap (Csak SD-YR2550 / SD-YR2540)

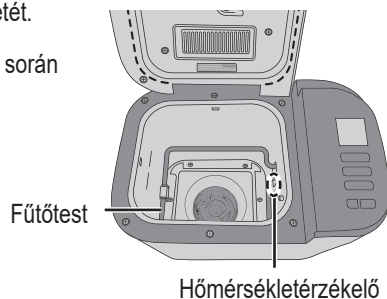
Ha nedves, akkor törölje meg egy száraz ruhadarabbal.

Belső

Távolítsa el az ételmaradékokat.

Egy nedves ronggyal törölje ki a gép belsejét, hagyja ki a fűtőtest és a hőmérsékletérzékelő területét.

- A belső rész a használat során elszíneződhet.



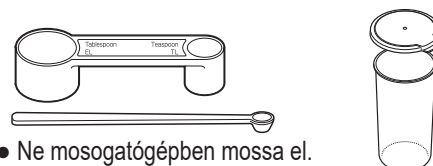
Mérőkanál és kovász kanál

(Csak SD-YR2550 / SD-YR2540)

Mossa el vízzel.

Kovász mérőpohár (SD-B2510: Mérőpohár)

Mossa át meleg szappanos vízzel, és alaposan szárítsa meg.



- Ne mosogatógépben mossa el.



Műszaki adatok

	SD-YR2550	SD-YR2540	SD-R2530	SD-B2510
Hálózati tápfeszültség	230 V ~ 50 Hz			
Teljesítményfelvétel	550 W			
Kapacitás	(Erős liszt egy kenyérhez)	max. 600 g	min. 400 g	
	(Erős liszt a tésztához)	max. 600 g	min. 250 g	
	(Száritott élesztő)	max. 7 g	min. 1,4 g	
	(Sütőpor)	max. 13 g	min. 10 g	
Adalékadagoló befogadóképessége	Max. 150 g Aszalt gyümölcsök / Diófélék			—
Időzítő	Digitális időzítő (max. 13 óra)			
Méretek (szélesség × magasság × mélység)	Kb. 40,8 × 36,2 × 25,2 cm			
Súly kb.	Kb. 7,5 kg	Kb. 7,5 kg	Kb. 7,0 kg	Kb. 6,5 kg
Tartozékok	1 kovász mérőpohár, 1 mérőkanál, 1 kovász kanál			1 mérőpohár, 1 mérőkanál
A levegőben terjedő zaj szintje [dB(A) referenciaérték 1 pW]	60,68	60,68	58,68	58,68

Tájékoztatás felhasználók számára az elhasználdott készülékek, begyűjtéséről és ártalmatlanításáról

Magyar

Csak az Európai Unió és olyan országok részére, amelyek begyűjtő rendszerekkel rendelkeznek

Ha ez a szimbólum szerepel a termékeken, a csomagoláson és / vagy a mellékelt dokumentumokon, az elhasznált elektromos és elektronikus termékeket nem szabad keverni az általános háztartási szeméttel.



Az elhasználdott készülékek, megfelelő kezelése, hasznosítása és újrafelhasználása céljából, kérjük, hogy a helyi törvényeknek, megfelelően juttassa el azokat a kijelölt gyűjtőhelyekre.

E termékek előírászerű ártalmatlanításával Ön hozzájárul az értékes erőforrások megővéséhez, és megakadályozza az emberi egészség és a környezet károsodását.

Amennyiben a begyűjtéssel és újrafelhasználással kapcsolatban további kérdése lenne, kérjük, érdeklődjön a helyi önkormányzatnál.

E hulladékok szabálytalan elhelyezését az országos jogszabályok büntethetik.

HU9



Kiitos, kun valitsit tämän Panasonic-tuotteen.

- Lue ohjeet huolellisesti käyttääksesi tuotetta oikein ja turvallisesti.
- Ennen kuin käytät tätä tuotetta, **kiinnitä erityisesti huomiota Turvallisuusohjeet-(S. FI2 – FI5) ja Tärkeää tietoa-(S. FI5) kohtiin tässä ohjeessa.**
- Säilytä ohjeet tulevaa käyttöä varten.
- Panasonic ei ole vastuussa, jos laitetta on käytetty väärin tai näitä ohjeita ei ole noudatettu.

Sisältö

Turvallisuusohjeet.....	FI2
Tärkeää tietoa	FI5
Osien nimet ja ohjeet	FI6
Puhdistaminen ja hoito	FI8
Tekniset tiedot	FI9

Turvallisuusohjeet

Muista noudattaa näitä ohjeita.


Pientääksesi henkilövahingon, sähköiskun tai tulipalon varaa, huomioi seuraava:

■ Seuraavat signaalit ilmaisevat haitan ja vahingon asteen, kun tuotetta käytetään väärin.

 **VAROITUS:** Osoittaa mahdollisen vaaran, joka voi johtaa vakavaan loukkaantumiseen tai kuolemaan.

 **VAARA:** Osoittaa mahdollisen vaaran, joka voi johtaa lievään loukkaantumiseen tai omaisuuden vahingoittumiseen.


■ Symbolit on luokiteltu ja selitetty seuraavalla tavalla.

 Tämä symboli ilmaisee kieltoa.

 Tämä symboli ilmaisee vaatimusta, jota on noudatettava.

VAROITUS

Sähköiskun, oikosulusta johtuvan tulipalon, savun, palovamman tai henkilövahingon vaaran välttämiseksi.

-  ● **Älä anna lasten leikkiä pakkausmateriaaleilla.**
(Tukehtumisvaara.)
- **Älä pura, korjaa tai muunna tätä laitetta.**
→ Ota yhteys laitteen myyjään tai Panasonic-huoltoon.



VAROITUS



● **Älä vaurioita virtajohtoa tai virtajohdon pistoketta.**

Seuraavat toiminnot ovat ankarasti kiellettyjä:

Mukauttaminen, lämmityselementtien tai kuumien pintojen kanssa kosketuksiin tai lähelle asettaminen, taivuttaminen, vääntäminen, vetäminen, ripustaminen / vetäminen terävien reunojen yli, raskaiden esineiden asettaminen päälle, virtajohdon niputtaminen, laitteen kantaminen virtajohdosta.

● **Älä käytä laitetta, jos virtajohto tai virtajohdon pistoke on rikki tai jos virtajohdon pistoke on kytketty huonosti pistorasiaan.**

→ Viallisen virtajohdon saa vaihtaa vain laitteen valmistaja, sen valtuuttama huolto tai tehtävään pätevä henkilö.

● **Älä kytke tai irrota virtajohdon pistoketta, jos kätesi ovat märät.**

● **Älä upota laitetta veteen tai roiskuta sitä vedellä ja / tai muulla nesteellä.**

● **Älä koske höyryaukkoihin tai tuki tai peitä niitä käytön aikana.**

• Valvo erityisesti lapsia.



● **Laitetta saavat käyttää yli 8-vuotiaat lapset ja henkilöt, joiden fyysinen, aistinvarainen tai henkinen toimintakyky on rajoittunut, tai joilla ei ole tarvittavaa kokemusta ja tietoa laitteen käytöstä, jos heitä valvotaan tai opastetaan laitteen turvalliseen käyttöön ja he ymmärtävät käyttöön liittyvät vaarat.**

Lapset eivät saa leikkiä laitteella.

Lapset eivät saa puhdistaa tai tehdä käyttäjän kunnossapitoa, jos he eivät ole yli 8-vuotiaita ja valvonnan alla.

● **Pidä laite ja sen virtajohto alle 8-vuotiaiden lasten ulottumattomissa.**

● **Varmista, että alueesi sähköverkon jännite on sama kuin laitteeseen merkitty käyttöjännite.**

Vältä kytkemästä samaan pistorasiaan useita laitteita. Jos kytket useita virtajohdon pistokkeita samaan pistorasiaan, varmista, ettei laitteiden yhteenlaskettu tehontarve ylitä pistorasian sallittua kuormaa.

● **Kytke virtajohdon pistoke hyvin.**

● **Puhdista virtajohdon pistoke säännöllisesti pölystä.**

→ Irrota virtajohdon pistoke ja puhdista kuivalla pyyhkeellä.

! VAROITUS

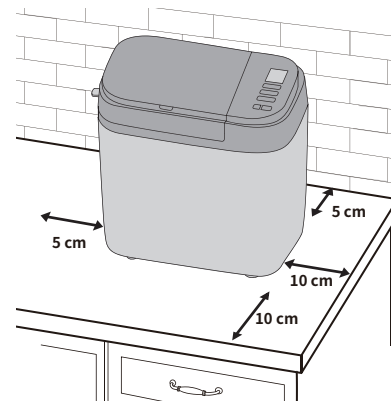
Sähköiskun, oikosulusta johtuvan tulipalon, savun, palovamman tai henkilövahingon vaaran välttämiseksi.

- **Lopeta laitteen käyttö heti ja irrota verkkojohto siinä epätodennäköisessä tilanteessa, että laite lakkaa toimimasta kunnolla.** Esimerkkejä toimintahäiriöistä tai vioista:
 - Virtajohto tai virtajohdon pistoke tulevat epätavallisen kuumiksi.
 - Virtajohto on viallinen tai virransyöttö lakkaa toimimasta.
 - Rungon muoto muuttuu, se on silminnähdyn vaurioitunut tai tuntuu epätavallisen kuumalta.
 - Laite pitää käytön aikana epätavallista käyntiääntä.
 - Laitteesta lähtee paha haju.
 - Tapahtuu jotain muuta epätavallista tai toimintahäiriö.→ Ota yhteys jälleenmyyjään tai Panasonic-huoltoon toimittaaksesi laitteen tarkastukseen tai huoltoon.
- **Älä käytä laitetta, jos laitteen osat on muotoaan tai vahingoittuneet kuten ottaa näkyviä halkeamia tai pelimerkkejä.**
→ Ota yhteys jälleenmyyjään tai Panasonic-huoltoon toimittaaksesi laitteen tarkastukseen tai huoltoon.

! VAARA

Sähköiskun, tulipalon, palovamman, henkilövahingon tai omaisuusvahingon välttämiseksi.

- **Älä käytä laitetta seuraavissa paikoissa.**
 - Epätasaisten pintojen päällä, sähkölaitteiden, kuten jääkaappi, päällä, pöytäliinojen tai mattojen kaltaisten materiaalien päällä, jne.
 - Laitteen päälle voi roiskua vettä. Laitteen lähellä on lämmönlähde.→ Sijoita laite tukevalle, kuivalle, puhtaalle, kuumuudenkestävälle työtasolle vähintään 10 cm etäisyydelle työtason reunasta ja vähintään 5 cm viereisistä seinistä ja muista kohteista.
- **Älä poista leipävuokaa tai irrota laitetta sähkövirrasta käytön aikana.**
- **Älä käytä ulkoista ajastinta tms.**
 - Tätä laitetta ei ole tarkoitettu ohjattavaksi ulkoisen ajastimen tai erillisen etäohjausjärjestelmän kautta.



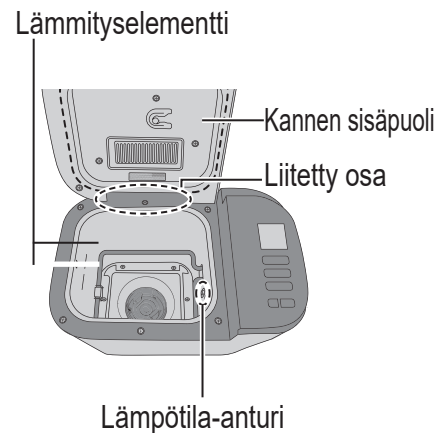


! VAARA

- **Älä koske kuumaan kohtaan, kuten leipävuokaan, laitteen sisäosiin, lämmityselementtiin tai kannen sisäpuolelle, laitteen ollessa päällä tai heti käytön jälkeen.**
Myös laitteen kosketettavissa olevat pinnat voivat kuumentua käytössä. Varo jälkilämpöä erityisesti käytön jälkeen.
→ Vältät palovammat käyttämällä patakintaita aina, kun poistat leipävuoaan tai valmiin leivän. (Älä käytä merkkiä patakintaita.)
- **Älä työnnä laitteen aukkoihin mitään esineitä.**
- **Älä ylitä jauhojen (600 g) nostatusaineiden, kuten kuivahiivan (7 g) tai leivinjauheen (13 g) maksimimääriä. (Katso sivu FI9)**
- **Irrota laite virtajohdon pistoke, kun laitetta ei käytetä.**
- **Kun irrotat virtajohdon, vedä virtajohdon pistokkeesta. Ei koskaan virtajohdosta.**
- **Irrota laite pistorasiasta ja anna sen jäähtyä ennen käsittelyä, siirtämistä tai puhdistusta.**
- **Tämä tuote on tarkoitettu ainoastaan kotikäyttöön.**
- **Varmista, että puhdistat laitteen käytön jälkeen, erityisesti pinnat, jotka ovat kosketuksissa ruokaan. (Katso sivu FI8)**

Tärkeää tietoa

- **Älä käytä laitetta ulkona, hyvin kosteissa tiloissa tai kohdista liikaa voimaa osiin, kuten kuvituksessa oikealla, toimintahäiriön tai vääntymisen estämiseksi.**
- **Älä käytä veistä tai muuta terävää työkalua jäämien poistamiseen.**
- **Älä pudota laitetta; se voi mennä rikki.**
- **Älä säilytä mitään aineksia tai jyviä leipävuoaassa.**



Suomi

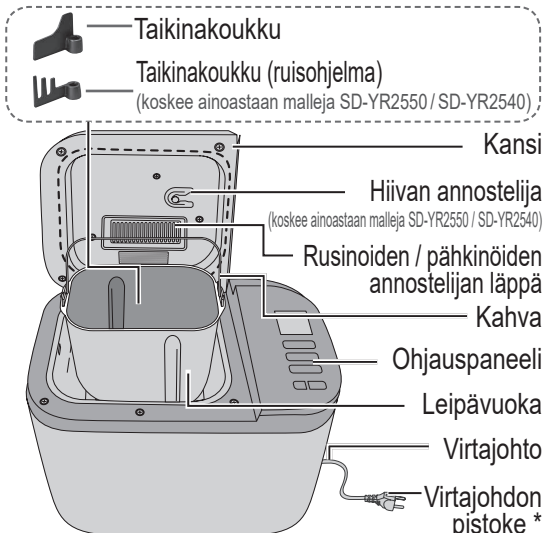


Tämä laitteeseen oleva symboli ilmaisee ”Kuumaa pintaa, jonka koskettamista on varottava”.

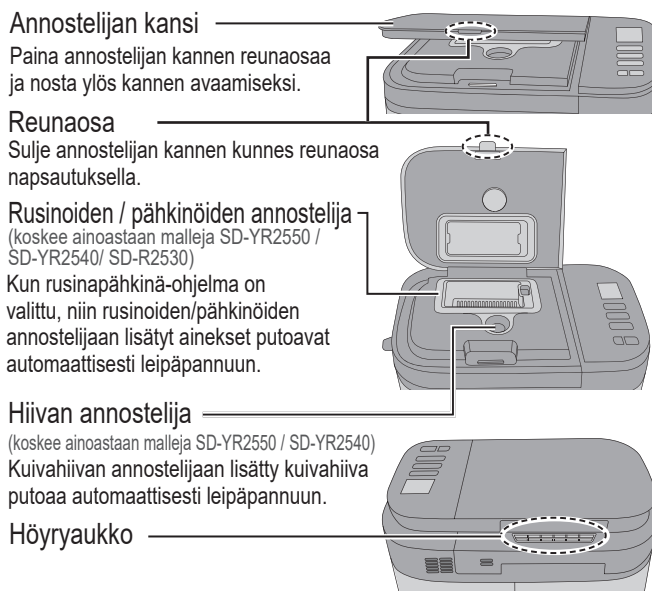
Osien nimet ja ohjeet

Päälaite

- Tässä ohjeessa oleva tuotteen kuva on esimerkkikuva mallista SD-YR2550.



* Laitteessasi oleva virtajohdon pistoke voi olla erinäköinen kuin kuvassa.



Tarvikkeet

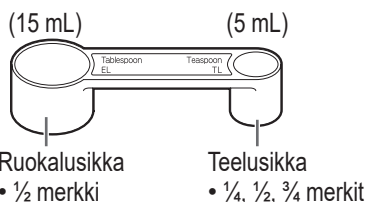
Hapanleipäkuppi (SD-B2510: Mittakuppi)

Nesteiden mittaaminen, hapanleipäjuuren tekeminen.



Mittalusikka

Sokerin, suolan, hiivan ym. mittaaminen.



Hapanleivän juuren lusikka

(koskee ainoastaan malleja SD-YR2550 / SD-YR2540 / SD-R2530)

Hapanleipäjuuren hiivan mittaaminen.



Leipävuoka ja taikinakoukku on pinnoitettu tarttumista ehkäisevällä pintamateriaalilla, jotta siihen ei tulisi tahroja ja jotta leipä olisi helppo irrottaa.

- Suojaa pinnoite vaurioitumiselta noudattamalla näitä ohjeita.

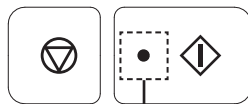
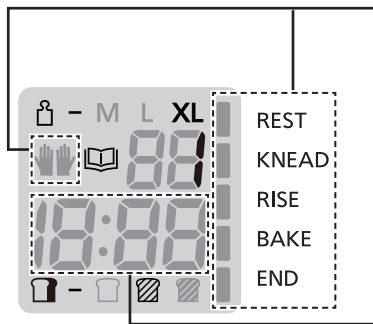
- Älä käytä kovia välineitä, kuten veistä tai haarukkaa, kun poistat leivän leipävuokaasta. Ellei leipä irtoa leipävuokaasta helposti, jätä leipävuoka jäähtymään 5–10 minuutiksi. Älä jätä sitä valvomatta, jotta kukaan ei vahingossa saa palovammaa tai mikään ei pala. Ravistele leipävuokaa sen jälkeen useita kertoja. Käytä patakintaita. (Pidä kahva alhaalla, jotta se ei estä leivän irtoamista.)
- Varmista, ettei taikinakoukku ole leivän sisällä, ennen kuin leikkaat leipää. Jos se on, irrota se leivän jäähtyttyä. (Älä käytä kovia tai teräviä työvälineitä, kuten veistä tai haarukkaa.) Varo palovammoja, sillä taikinakoukku voi olla yhä kuuma.
- Puhdista leipävuoka ja taikinakoukku pehmeällä sienellä. Älä käytä mitään hankaavaa, kuten puhdistusainetta tai karkeaa sientä.
- Kovat, karkeat ja isot ainesosat, kuten kokonaisia jyviä sisältävät jauhot, sokeri, ja lisätyt pähkinät ja siemenet, voivat vahingoittaa leipävuokan tarttumaton pintaa. Jos käytät isoja ainesosia, paloitele ne pienemmiksi.
- Käytä tässä laitteessa vain mukana toimitettua taikinakoukku.

Leipävuoka, taikinakoukku ja leipä voivat olla hyvin kuumia leipomisen jälkeen. Noudata aina varovaisuutta niitä käsitellessäsi.



Ohjauspaneeli ja näyttö

- Kuvassa näkyvät kaikki sanat ja symbolit, mutta vain asiaankuuluvat näytetään käytön aikana.



- **Seis**
Peru asetus / pysäytä ohjelma.
(Pidä painettuna noin 1 sekunti.)

- **Aloita**
Aloita ohjelma painamalla tätä painiketta.

- **Tilailmaisin**
 - Viilkuminen ilmaisee koneen olevan asetustilassa tai tarvitsevan manuaalista toimea.
 - ◊ painiketta voidaan painaa.
 - Jatkuvasti valaistuna ilmaisee, että kone on ohjelman suoritusstilassa.
 - ◊ painiketta ei voi painaa.Se ei käynnisty, vaikka pistoke on istorasiassa.

Toimintatila

Näytetään nykyiselle ohjelman vaiheelle paitsi .
 : Merkki siitä, että jokin toimi on tehtävä manuaalisesti.

Näkyvässä oleva aika

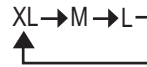
- Valmistumishetken jäljellä oleva aika.
- Ohjelma vaatii jonkin verran manuaalisia toimia, näyttö näyttää jäljellä olevan ajan ennen prosessin alkamista painikkeen painamisen jälkeen.

Valikko

- Pääset asetustilaan painamalla kerran -tai -painiketta.
- Vaihdat ohjelma-numeroa painamalla uudestaan -tai -painiketta. (Voit siirtyä eteenpäin nopeammin pitämällä painiketta alhaalla.)

Koko

Valitse koko painamalla tätä painiketta.



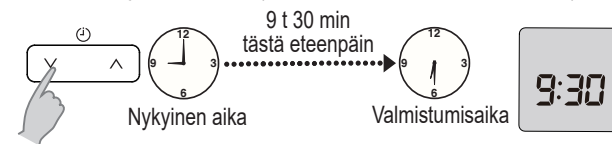
Kuori

Valitse kuoren värin painamalla tätä painiketta.



Ajastin

- Aseta viiveajastin (aika, milloin leivän on oltava valmis). Se voidaan asettaa käytettävissä olevalle ohjelmalle enintään 13 tunniksi (paitsi ohjelmalle "Maalaisleipä, hapan" enintään 9 tunniksi).
esim. kello on nyt 21.00 ja haluat leivän olevan valmis 6.30 seuraavana aamuna.
→ Aseta ajastimeen 9:30 (9 tuntia 30 minuuttia tästä eteenpäin).



- Aseta aika makean tuotteen valikolle:

Lisää aikaa painamalla tätä painiketta.

Vähennä aikaa painamalla tätä painiketta.

(Edetäksesi nopeammin, paina tätä painiketta kerran ja pidä sitten painettuna.)

- Ohjelma "Kakku"
Lisätään lisääaikaa 1 minuutilla painamalla kerran painiketta.
- Ohjelma "Pelkkä paisto"
Painikkeen painaminen kerran edistää paistoaikaa, mukaan lukien lisäpaistoaikaa, 1 minuutin.
- Ohjelma "Hillo" ja "Hilloke"
Painikkeen painaminen edistää kypsennysaikaa 10 minuuttia, mutta lisäkypsennysaikaa vain 1 minuutin.

Puhdistaminen ja hoito

Ennen kuin puhdistat koneen, irrota sähköjohto pistorasiasta ja anna koneen jäähtyä.

■ Näin vältät koneen vaurioitumisen:

- Älä käytä hankaavia aineita!
(puhdistusaineet, puhdistustyyny tms.)
- Älä pese mitään koneen osaa astianpesukoneessa!
- Älä käytä bensiiniä, ohenninta, alkoholia tai valkaisuainetta!
- Kun olet huuhdellut pestävät osat, kuivaa ne liinalla.
Pidä koneen kaikki osat aina puhtaina ja kuivina.

Leipävuoka ja Taikinakoukku

Poista kaikki jäänyt taikina, Pese pehmeällä sienellä tai pullasudilla, ja anna kuivua hyvin.

- Älä upota leipävuokaa veteen.
- Jos taikinakoukku on vaikea irrottaa, kaada leipävuokaan lämmintä vettä ja odota 5 – 10 minuuttia. (Älä jätä sitä liian kauan.) Älä jätä lämmitä saippuavettä leivinpannuun.

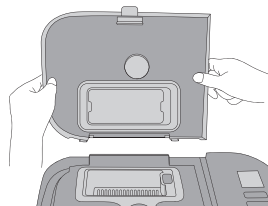
Ulkopuoli ja höyryaukko

- Pyyhi kostealla liinalla.

Annostelijan kansi (koskee ainoastaan malleja SD-YR2550 / SD-YR2540 / SD-R2530)

Irrota ja pese vedellä. Kuivaa se kokonaan, erityisesti hiivanannostelijan kansi.

- Nosta annostelijan kansi noin 75 asteen kulmaan. Kohdista liitännät ja vedä sitä ylöspäin poistaaksesi tai työnnä varovasti takaisin samassa kulmassa kiinnittäaksesi.



(Anna koneen ensin jäähtyä, sillä se on heti käytön jälkeen todella kuuma)

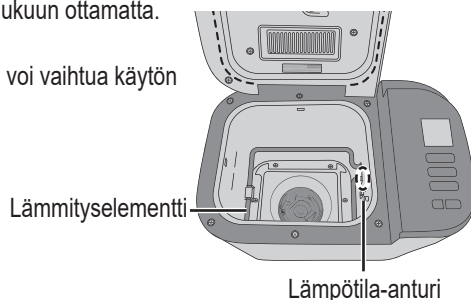
- Varo vaurioittamasta tai vetämästä tiivistettä. (Rikkoutuminen voi johtaa höyryn karkaamiseen, kondensointiin tai rakenteiden vääntymiseen)

Sisäpuoli

Poista kaikki ruokajäämät.

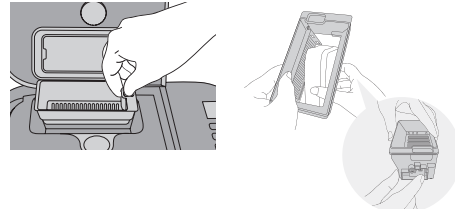
Käytä kosteaa liinaa koneen pyyhkimiseen lämmityselementtiä ja lämpötila-anturia lukuun ottamatta.

- Sisäpuolen väri voi vaihtua käytön myötä.

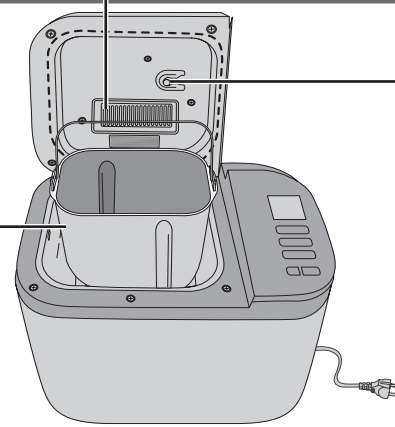


Rusinoiden / pähkinöiden annostelija

(koskee ainoastaan malleja SD-YR2550 / SD-YR2540 / SD-R2530)
Irrota ja pese vedellä.



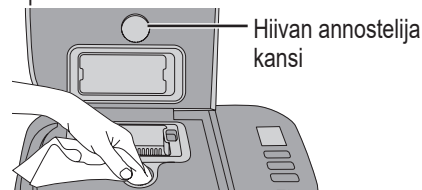
- Pese jäämät pois jokaisen käyttökerran jälkeen.



Hiivan annostelija (koskee ainoastaan malleja SD-YR2550 / SD-YR2540)

Pyyhi kostealla liinalla ja anna kuivua itsekseen.

- Jos pyyhkiä kuivalla liinalla, kuivahiiva ei putoa leipävuokaan staattisuuden takia.



Hiivan annostelija kansi

(koskee ainoastaan malleja SD-YR2550 / SD-YR2540)

Pyyhi kuivalla liinalla, jos tiiviste on märkä.

Mittalusikka ja hapanleivän juuren lusikka (koskee ainoastaan malleja SD-YR2550 / SD-YR2540)

Pese vedellä.

Hapanleipäkuppi (SD-B2510: Mittakuppi)

Pese lämpimällä saippuavedellä ja pese hyvin.



Tekniset tiedot

	SD-YR2550	SD-YR2540	SD-R2530	SD-B2510
Virransyöttö	230 V ~ 50 Hz			
Tehontarve	550 W			
Kapasiteetti	(Karkea vehnä jauho leivälle)	max. 600 g	min. 400 g	
	(Karkea vehnä jauho taikinaa varten)	max. 600 g	min. 250 g	
	(Kuivahiiva)	max. 7 g	min. 1,4 g	
	(Leivinjauhe)	max. 13 g	min. 10 g	
Rusinoiden / pähkinöiden annostelijan kapasiteetti	Enint. 150 g Kuivatut hedelmät / Pähkinät			—
Ajastin	Digitaalinen ajastin (enintään 13 tuntia)			
Mitat (L × K × S)	Noin 40,8 × 36,2 × 25,2 cm			
Paino	Noin 7,5 kg	Noin 7,5 kg	Noin 7,0 kg	Noin 6,5 kg
Tarvikkeet	1 hapanleipäkuppia, 1 mittalusikka, 1 hapanleivän juuren lusikka			1 mittakuppi, 1 mittalusikka
Akustinen melu [dB(A) ref 1 pW]	60,68	60,68	58,68	58,68

Vanhojen laitteiden hävittäminen

Vain EU-jäsenmaille ja kierrätysjärjestelmää käyttäville maille.

Tämä symboli tuotteissa, pakkauksessa ja / tai asiakirjoissa tarkoittaa, että käytettyjä sähköllä toimivia ja elektronisia tuotteita ei saa laittaa yleisiin talousjätteisiin.

Toimita vanhat tuotteet käsittelyä, uusointia tai kierrätystä varten vastaaviin keräyspisteisiin laissa annettujen määräysten mukaisesti.



Hävittämällä tuotteet asiaankuuluvasti autat samalla suojaamaan arvokkaita luonnonvaroja ja estämään mahdollisia negatiivisia vaikutuksia ihmiseen ja luontoon.

Lisätietoa keräämisestä ja kierrätyksestä saa paikalliselta jätehuollosta vastuulliselta viranomaiselta.

Maiden lainsäädännön mukaisesti tämän jätteen määräystenvastaisesta hävittämisestä voidaan antaa sakkorangaistuksia.

Suomi

F19



Tak fordi du har købt dette Panasonic produkt.

- Læs brugsanvisningerne omhyggeligt, for at bruge produktet korrekt og sikkert.
- Før du tager dette produkt i brug, **bedes du læse afsnittene Sikkerhedsforanstaltninger (S. DK2 – DK5) og Vigtig information (S. DK5) i vejledningerne.**
- Gem brugsanvisningerne til senere brug.
- Panasonic accepterer intet ansvar, hvis apparatet ikke har været korrekt anvendt, eller disse anvisninger ikke er blevet fulgt.

Indholdsfortegnelse

Sikkerhedsforanstaltninger	DK2
Vigtig information	DK5
Delnavne og vejledninger	DK6
Rengøring & Pleje	DK8
Specifikationer	DK9

Sikkerhedsforanstaltninger

Sørg for at følge disse anvisninger.


Overhold følgende for at reducere risikoen for personskader, elektrisk stød og brand:


■ **Følgende signaler angiver graden af personskader og skader, hvis apparatet misbruges.**

 **ADVARSEL :** Indikerer potentiel fare, der kan risikere i alvorlige kvæstelser eller dødsfald.

 **FORSIGTIG:** Indikerer potentiel fare, der kan resultere i mindre kvæstelser eller ejendomsskade.


■ **Symbolerne er klassificeret og forklaret som følger.**

 Dette symbol angiver forbud.

 Dette symbol angiver krav, der skal følges.

ADVARSEL

For at undgå risiko for elektrisk stød, brand som følge af en kortslutning, røg, forbrændinger eller personskader.

-  ● **Lad ikke spædbørn og børn lege med emballagen.**
(Det kan forårsage kvælning.)
- **Du må ikke adskille, reparere eller modificere dette apparat.**
→ Kontakt købsstedet eller et Panasonic - serviceværksted.



ADVARSEL



- **Undgå at beskadige netledningen eller netstikket.**

Følgende er strengt forbudt:

At ændre enheden, at stille den på eller i nærheden af varmelegemer eller varme overflader, at bøje, vride, trække, hænge / trække enheden over skarpe kanter, at sætte tunge genstande på enheden, at binde netledningen eller transportere apparatet i netledningen.

- **Brug ikke apparatet, hvis netledningen eller netstikket er beskadiget, eller netstikket er løst forbundet til stikkontakten i væggen.**

→ Hvis netledningen er beskadiget, skal den udskiftes af producenten, dennes servicerepræsentant eller en tilsvarende kvalificeret person for at undgå fare.

- **Berør ikke netstikket med våde hænder.**

- **Apparatet må ikke nedsænkes i vand, eller udsætte den for vand eller andre væsker.**

- **Tildæk, bloker og rør ikke ved ventilationshullerne til damp under brug.**

• Hold især øje med børn.



- **Dette apparat kan bruges af børn i alderen fra 8 år og derover og personer med nedsatte fysiske, sensoriske eller mentale evner, eller som mangler erfaring og viden, hvis de har fået undervisning eller instruktion i brugen af apparatet på en sikker måde og forstår risikoen for brug heraf.**

Børn må ikke lege med apparatet.

Rengøring og vedligeholdelse må ikke foretages af børn, medmindre de er mindst 8 år og under opsyn.

- **Hold apparatet og netledningen utilgængeligt for børn under 8 år.**

- **Sørg for, at spændingsangivelsen på etiketten på apparatet er den samme som din lokale elforsyning.**

Undgå også at sætte andre apparater i den samme stikkontakt for at forhindre elektrisk overophedning. Hvis du alligevel tilslutter flere netstik, så sørg for, at det samlede effektforbrug ikke overstiger stikkontaktens tilladte belastning.

- **Sæt netstikket sikkert i.**

- **Rengør netstikket regelmæssigt.**

→ Tag netstikket ud, og aftør det med en tør klud.

Sikkerhedsforanstaltninger

Sørg for at følge disse anvisninger.

⚠ ADVARSEL

For at undgå risiko for elektrisk stød, brand som følge af en kortslutning, røg, forbrændinger eller personskader.



- **I det usandsynlige tilfælde, at dette apparat stopper med at fungere korrekt, skal du straks stoppe med at bruge apparatet og trække netstikket ud af stikkontakten.**

f.eks. ved unormal drift eller nedbrud:

- Netstikket eller netledningen bliver varmere end normalt.
- Netledningen er beskadiget, eller apparatets strømforsyning svigter.
- Apparatet bliver deformeret, har synlige skader eller er varmere end normalt.
- Der er unormal motorstøj under brug.
- Der er en ubehagelig lugt.
- Der er andre problemer eller fejl.

→ Kontakt straks din forhandler eller et Panasonic servicecenter for eftersyn eller reparation.

- **Brug ikke apparatet, hvis de dele af apparatet er deformeret eller beskadiget som at have synlige revner eller chips.**

→ Kontakt straks din forhandler eller et Panasonic servicecenter for eftersyn eller reparation.

⚠ FORSIGTIG

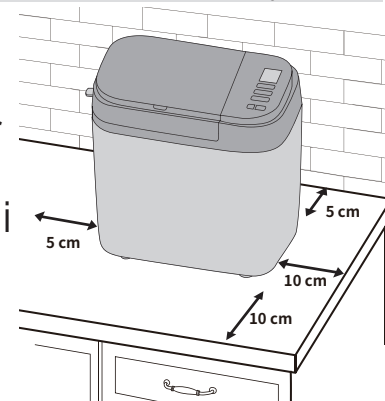
For at undgå risiko for elektrisk stød, brand, forbrændinger, personskader eller skade på ejendom.



- **Brug ikke apparatet på følgende steder.**

- På ujævne overflader, på elektriske apparater som et køleskab, på materialer som duge eller tæpper, osv.
- Steder, hvor der kan sprøjte vand på det, eller i nærheden af en varmekilde.

→ Placer apparatet på en fast, tør, ren flad og varmebestandig bordplade mindst 10 cm fra bordkant og mindst 5 cm fra tilstødende vægge og andre genstande.





- **Tag ikke bageformen ud og træk ikke apparatets netstik ud af stikkontakten under brug.**

- **Brug ikke en ekstern timer mv.**

• Dette apparat er ikke beregnet til at blive betjent ved hjælp af en ekstern timer eller en særskilt fjernbetjening.

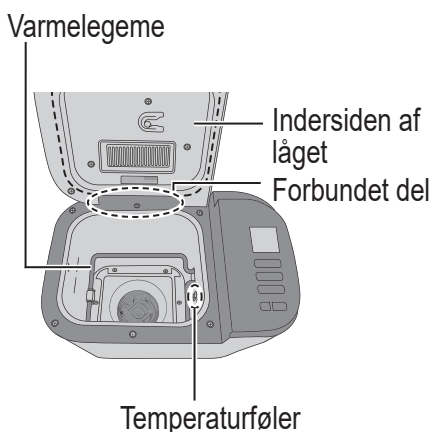


FORSIGTIG

-  ● **Rør ikke ved varme områder som bageform, enhedens indvendige del, varmeelement eller indersiden af låget, mens apparatet er i brug, eller efter bagning / tilberedning.**
De tilgængelige overflader kan blive varme under brug. Vær forsigtig med den resterende varmekilde, især efter brug.
→ Brug altid ovnhandsker, når du tager bageformen eller det færdige brød ud, for at undgå forbrændinger. (Brug ikke våde ovnhandsker.)
- **Stik ingen genstande ind i åbningerne.**
- **Overskrid ikke de maksimale mængder af mel (600 g) og hævemidler som tørgær (7 g) eller bagepulver (13 g). (Se S. DK9)**
-  ● **Træk netstikket ud af stikkontakten, når apparatet ikke er i brug.**
- **Sørg for at holde i netstikket, når du trækker det ud. Træk aldrig i netledningen.**
- **Inden apparatet bruges, flyttes eller rengøres, skal dets stik trækkes ud af stikkontakten og apparatet skal køle ned.**
- **Dette produkt er kun beregnet til husholdningsbrug.**
- **Sørg for at rengøre maskinen efter brug især overflader, der er i kontakt med madvarer. (Se S. DK8)**

Vigtig information

- **Apparatet må ikke bruges udendørs eller i rum med høj luftfugtighed. Apparatets dele må ikke overbelastes, som vist på billedet til højre, for at undgå fejlfunktion eller deformation.**
- **Fjern ikke dejrester med en kniv eller en anden skarp genstand.**
- **Tab ikke apparatet for at undgå at beskadige det.**
- **Der må ikke opbevares nogen ingredienser eller brød i bageformen.**

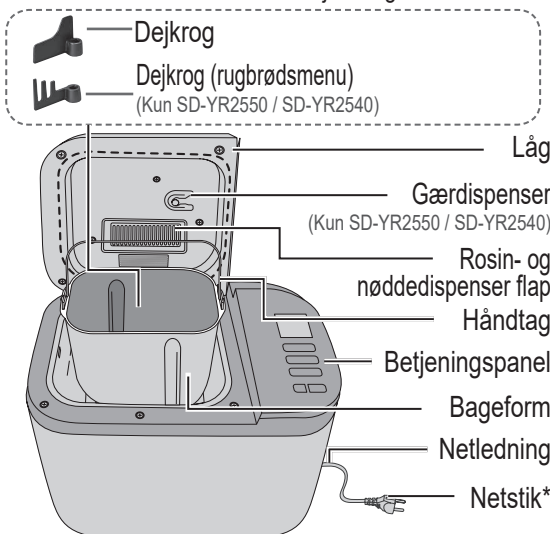


Dette symbol på apparatet angiver "Varm overflade og bør ikke berøres uden forsigtighed".

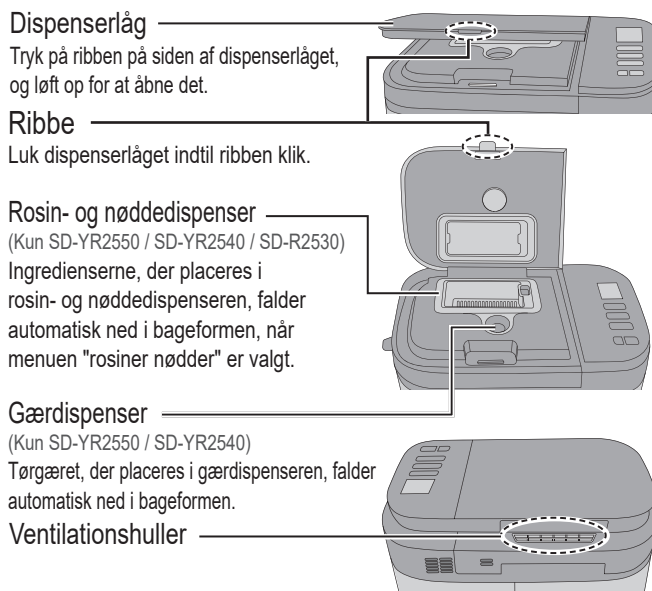
Delnavne og vejledninger

Hovedenhed

- Produktillustrationer i denne vejledning viser SD-YR2550.



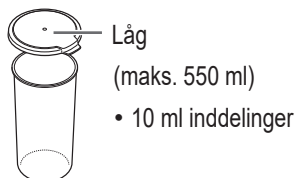
* Udformningen af netstikket kan være forskellig fra illustrationen.



Tilbehør

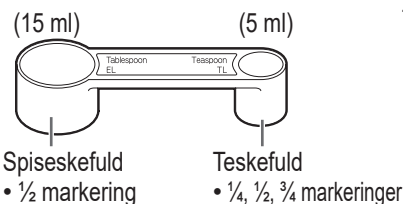
Surdej bæger (SD-B2510: Målebæger)

Til at måle væsker og lave surdejsgær.



Måleske

Til at måle sukker, salt, gær osv.



Surdej gær-måleske

(Kun SD-YR2550 / SD-YR2540 / SD-R2530)

Til at måle surdej gær.



Bageformen og dejkrogen er belagt med en non-stick-belægning for at undgå pletter og gøre det lettere, når du tager brødet ud.

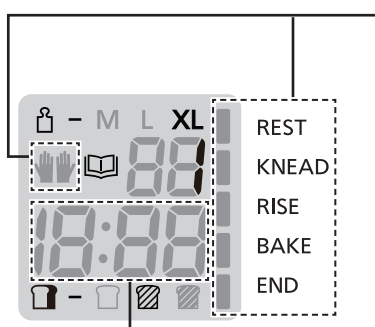
■ Følg nedenstående anvisninger for at undgå at ødelægge den.

- Brug ikke hårde redskaber, som en kniv eller en gaffel, når du tager brødet ud af bageformen. Hvis du ikke let kan tage brødet ud af bageformen, skal du lade brødet afkøle 5–10 minutter i bageformen, og sørge for, at brødet ikke efterlades uden opsyn for at undgå at nogen eller noget bliver forbrændt. Derefter kan du ved hjælp af ovenhåndsker ryste bageformen nogle få gange. (Hold håndtaget ned, så det ikke er i vejen for brødet.)
- Sørg for, at dejkrogen ikke sidder i brødet, når du begynder at skære det. Hvis den sidder fast i brødet, skal du vente på at brødet er afkølet, og derefter kan du fjerne den. (Brug ikke hårde eller skarpe redskaber, som en kniv eller en gaffel.) Pas på ikke at blive forbrændt, da dejkrogen stadig kan være varm.
- Brug en blød svamp ved rengøring af bageformen og dejkrogen. Brug ikke noget, der er slibende, som rengøringsmidler eller skuresvampe.
- Hårde, grove eller store ingredienser, som mel med hele eller formalede korn, sukker eller tilsætning af nødder og frø kan beskadige bageformens non-stick-belægning. Hvis du bruger et stort stykke af en ingrediens, skal du brække det op i mindre stykker.
- Anvend kun den medfølgende dejkrog til dette apparat. Bageformen, dejkrogen og brødet kan være meget varme efter bagning. Håndter altid med omhu.



Betjeningspanel og skærm

- Billedet viser alle ord og symboler, men kun de relevante vil vises under betjeningen.



Driftsstatus

Vises for det aktuelle trin i programmet, undtagen .

: Giver en indikation for manuel betjening.

Visning af tiden

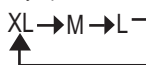
- Resterende tid indtil færdiggørelse.
- Menu kræver manuelle trin. Skærmen viser den resterende tid, før tilberedningen starter, efter der trykkes på knappen.

Menu

- Tryk på eller og igen for at komme til indstillinger.
- Tryk på eller og igen for at ændre menunummeret. (Hold på knappen for at gå hurtigere frem i menuen.)

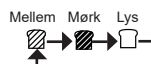
Størrelse

Tryk på denne knap for at vælge størrelse.



Skorpe

Tryk på denne knap for at vælge farven på skorpen.



Timer

- Indstil tidsforsinkelse (resterende tid før brødet er klart). Kan indstilles til op til 13 timer i de tilgængelige menuer (undtagen menu "Surbrød", som kun kan indstilles til op til 9 timer).
f.eks.: Klokken er nu 21:00, og du vil gerne have, at brødet skal være færdigt kl. 6:30 næste morgen.

→ Indstil timeren til 9:30 (9 timer og 30 minutter fra nu).



- Tidsindstilling af tid til søde menuer:

Tryk på denne knap for at forlænge tiden.

Tryk på denne knap for at forkorte tiden.

(Hold denne knap nede for at gå hurtigere frem.)

- Menuen "Kage"
Hvis du trykker på knappen én gang, kører den ekstra bagningstid ved 1 minut.
- Menuen "Kun bagning"
Tryk på knappen én gang for at rykke bagetiden inklusive yderligere bagetid med 1 minut.
- Menuen "Marmelade" og "Kompot"
Tryk på knappen én gang for at rykke tilberedningstiden med 10 minutter, men yderligere tilberedningstid vil være 1 minut.

Stop

For at annullere indstillingen / stoppe programmet. (Hold nede i ca. 1 sekund.)

Start

Tryk på denne knap for at starte programmet.

Status - indikator

- Blink angiver, at maskinen er indstillet, eller at manuel betjening er påkrævet.
Der kan trykkes på knappen.
- Hvis den lyser konstant, er maskinen ved at udføre programmet.
Der kan ikke trykkes på knappen.
Den vil ikke tænde, selv hvis stikket er sat i kontakten.

Rengøring & Pleje

Træk maskinens stik ud af stikkontakten, og lad den køle ned, før du rengør den.

■ For at undgå beskadigelse af din maskine.

- Brug ikke slibemidler.
(rensedyer, skuresvampe osv.)
- Vask ikke nogen af maskinens dele i din opvaskemaskine.
- Brug ikke rensebenzin, fortynder, sprit eller blegemiddel.
- Efter du har skyllet de vaskbare dele, skal du tørre dem af med en klud. Hold altid maskinens dele rene og tørre.

Bageform og Dejkroge

Fjern overskyddende dej, vask med en blød svamp eller en bagepensel, tør derefter grundigt.

- Sænk ikke bageformen ned i vand.
- Hvis det er besværligt at tage dejkrogen af, skal du hælde varmt vand i bageformen og vente i 5 minutter – 10 minutter. (Lad det ikke være for længe.) Læg ikke varmt sæbevand i brød pan.

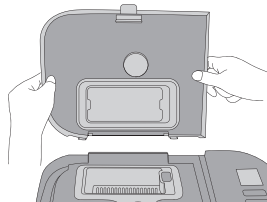
Ydre og Ventilationshuller

- Tør af med en fugtig klud.

Dispenserlåg (Kun SD-YR2550 / SD-YR2540 / SD-R2530)

Aftag, og vask med vand. Skal tørres helt, og særligt låget til gærbeholderen.

- Løft dispenserlåget til en vinkel på ca. 75 grader.
Sørg for at forbindelserne passer sammen, og træk enheden opad, for at fjerne den, eller tryk den tilbage i samme vinkel, for at sætte den på.
(Vent, indtil maskinen er kølet ned, fordi den er meget varm umiddelbart efter brug.)
- Pas på ikke at beskadige eller trække forseglingen.
(Beskadigelse kan føre til lækage af damp og kondens, eller deformation.)

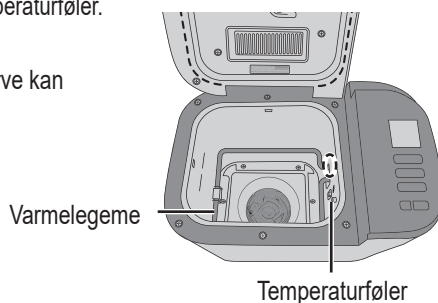


Indre

Fjern alle madrester.

Tør af med en fugtig klud inde i maskinen undtagen i området omkring varmelegeme og temperaturføler.

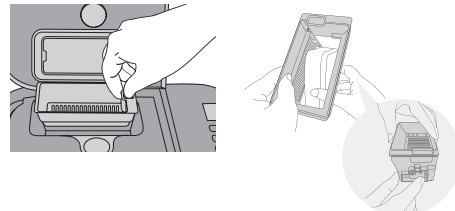
- Den indvendige farve kan ændres ved brug.



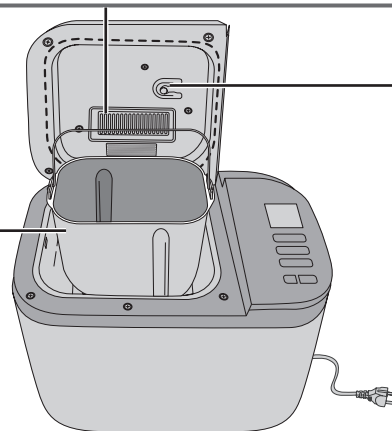
Rosin- og nøddedispenser

(Kun SD-YR2550 / SD-YR2540 / SD-R2530)

Aftag, og vask med vand.



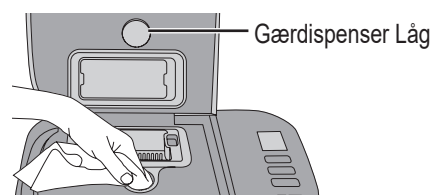
- Vask efter hver brug for at fjerne eventuelle rester.



Gærdispenser (Kun SD-YR2550 / SD-YR2540)

Tør den med en fugtig klud, og lad den lufttørre.

- Tørgæren falder ikke ned i bageformen på grund af statisk elektricitet, hvis den aftørres med en tør klud.



Gærdispenser låg (Kun SD-YR2550 / SD-YR2540)

Tør af med en tør klud, når den er våd.

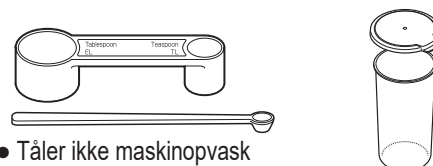
Måleske og surdej gær-måleske

(Kun SD-YR2550 / SD-YR2540)

Vaskes med vand.

Surdej bæger (SD-B2510: Målebæger)

Vask med varmt sæbevand og tør grundigt.



- Tåler ikke maskinopvask

Specifikationer

	SD-YR2550	SD-YR2540	SD-R2530	SD-B2510
Strømforsyning	230 V ~ 50 Hz			
Strømforbrug	550 W			
Kapacitet	(Mel med højt indhold af gluten til et brød)	maks. 600 g		min. 400 g
	(Mel med højt indhold af gluten til en dej)	maks. 600 g		min. 250 g
	(Tørgær)	maks. 7 g		min. 1,4 g
	(Bagepulver)	maks. 13 g		min. 10 g
Rosin- og nøddedispenser kapacitet	Maks. 150 g Tørrede frugter / Nødder			—
Timer	Digital timer (op til 13 timer)			
Størrelse (B × H × D)	Ca. 40,8 × 36,2 × 25,2 cm			
Vægt	Ca. 7,5 kg	Ca. 7,5 kg	Ca. 7,0 kg	Ca. 6,5 kg
Tilbehør	1 surdejsbæger, 1 måleske, 1 surdejsgær-måleske			1 målebæger, 1 måleske
Luftbåret akustisk støj [dB(A) ref 1 pW]	60,68	60,68	58,68	58,68

Indsamling af elektronikskrot

Kun for Den Europæiske Union og lande med retursystemer.

Dette symbol på produkter, emballage og / eller ledsagedokumenter betyder, at brugte elektriske og elektroniske produkter ikke må blandes med almindeligt husholdningsaffald.



For korrekt behandling, indsamling og genbrug af gamle produkter, skal du tage dem til indsamlingssteder i overensstemmelse med den nationale lovgivning.

Ved at skaffe dig af med dem på korrekt vis hjælper du med til at spare værdifulde ressourcer og forhindre eventuelle negative påvirkninger af menneskers sundhed og miljøet. Ønsker du mere udførlig information om indsamling og genbrug skal du kontakte din kommune.

Ukorrekt bortskaffelse af elektronikskrot kan eventuelt udløse bødeforlæg.

Dansk

DK9



Tack för att du har köpt den här produkten från Panasonic.

- Läs handböckerna noga för att använda produkten på ett säkert och korrekt sätt.
- Innan du använder denna produkt, **uppmärksamma noga Säkerhetsföreskrifter (S. SE2 – SE5) och Viktig information (S. SE5) i denna bruksanvisning.**
- Spara handböckerna för framtida bruk.
- Panasonic tar inget ansvar om enheten inte har använts på ett korrekt sätt, eller om dessa instruktioner har inte följts.

Innehåll

Säkerhetsföreskrifter	SE2
Viktig information	SE5
Namn på delar och instruktioner	SE6
Rengöring & Underhåll	SE8
Specifikationer	SE9

Säkerhetsföreskrifter

Se till att följa dessa anvisningar.

Observera följande för att minska risken för personskador, elektriska stötar och brand:

■ Följande signaler indikerar graden av personskador och skada på apparaten när produkten missbrukas.



VARNING :

Betyder potentiell fara som kan leda till allvarliga skador eller döden.



FÖRSIKTIGHET:

Betyder potentiell risk för mindre skador eller skador på egendom.

■ Symboler klassificeras och förklaras på följande sätt.



Denna symbol indikerar förbud.



Denna symbol anger de krav som måste följas.



VARNING

För att undvika risk för elektriska stötar, brand på grund av kortslutning, rök, bränn- och personskador.



● **Låt inte spädbarn och barn leka med förpackningen.**
(Det kan orsaka kvävning.)

● **Ta inte isär, reparera eller modifiera apparaten.**

→ Kontakta din återförsäljare eller Panasonic Service Center.



ADVARSEL



- **Skada inte strömsladden eller stickkontakten.**

Följande åtgärder är strängt förbjudna:

Modifiera, vidröra eller placera nära värmeelement eller heta ytor, böja, vrida, dra, hänga / dra över vassa kanter, placera tunga föremål ovanpå, bunta ihop strömsladden eller bära apparaten via strömsladden.

- **Använd inte apparaten om strömsladden eller stickkontakten är skadad eller om stickkontakten är löst ansluten till vägguttaget.**

→ Om strömsladden är skadad måste den bytas ut av tillverkaren, dess serviceombud eller annan kvalificerad person för att undvika fara.

- **Rör inte stickkontakten med våta händer.**

- **Sänk inte ner apparaten i vatten och stänk inte heller ner den med vatten eller någon annan vätska.**

- **Undvik att vidröra, blockera eller täcka över ångventilerna under användning.**

- Var särskilt uppmärksam på barn.



- **Denna apparat är inte avsedd att användas av personer (inklusive barn under 8 år) med nedsatt fysisk eller mental förmåga eller brist på erfarenhet och kunskap, såvida de inte övervakas eller instrueras i att använda apparaten av en person som ansvarar för deras säkerhet.**

Barn ska hållas under uppsikt så att de inte leker med apparaten. Rengöring och användarunderhåll får inte utföras av barn om de inte är äldre än 8 år och under uppsikt.

- **Håll apparaten och strömsladden borta från barn yngre än 8 år.**

- **Se till att den spänning som anges på etiketten på apparaten är densamma som din lokala strömförsörjning.**

Undvik också att ansluta andra enheter till samma uttag för att förhindra elektrisk överhettning. Om du ändå ansluter flera stickkontakter, se till att den totala effektförbrukningen inte överstiger vägguttagets tillåtna last.

- **Stoppa in stickkontakten ordentligt.**

- **Damma av stickkontakten regelbundet.**

→ Ta ut stickkontakten och torka av den med en torr trasa.

⚠ VARNING

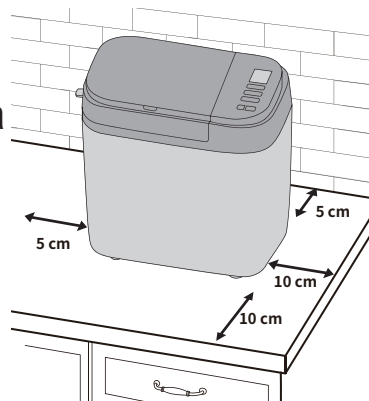
För att undvika risk för elektriska stötar, brand på grund av kortslutning, rök, bränn - och personsador.

- **Sluta omedelbart att använda apparaten och koppla genast ur den, om apparaten slutar att fungera korrekt.**
Exempel på felindikation:
 - Stickkontakten eller strömsladden blir varmare än normalt.
 - Strömsladden är skadad eller apparatens strömförsörjning fallerar.
 - Enheten deformeras, får synliga skador eller är varmare än normalt.
 - Det uppstår onormalt motorljud vid användning.
 - Det uppstår en obehaglig lukt.
 - Det uppstår andra problem eller fel.→ Kontakta din återförsäljare eller Panasonic servicecenter för kontroll eller reparation.
- **Använd inte apparaten om delarna på apparaten är deformerade eller skadade, till exempel med synliga sprickor eller flis.**
→ Kontakta din återförsäljare eller Panasonic servicecenter för kontroll eller reparation.

⚠ FÖRSIKTIGHET

För att undvika risk för elektriska stötar, brand, brännskador, personsador eller skada på egendom.



- **Använd inte apparaten på följande platser.**
 - På ojämna ytor, på elektriska apparater såsom kylskåp, på material såsom bordsdukar eller på mattor etc.
 - Platser där vatten kan stänka på den, eller i närheten av en värmekälla.→ Placera apparaten på en fast, torr, ren och jämn värmebeständig bänkskiva minst 10 cm från bänkskivans kant och minst 5 cm från intilliggande väggar och övriga föremål.



- **Ta inte bort bakformen eller dra ut stickkontakten ur uttaget medan apparaten används.**
- **Använd inte en extern timer m.m.**
 - Denna apparat är inte avsedd att drivas med hjälp av en extern timer eller separat fjärrkontroll.

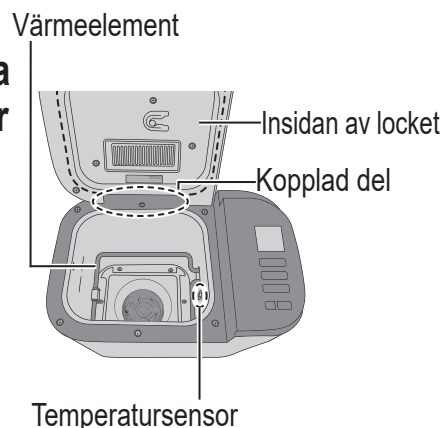


FÖRSIKTIGHET

-  ● Rör inte heta ytor som bakformen, insidan av maskinen, värmeelement eller insidan av locket medan enheten är i bruk eller efter gräddning.
Åtkomliga ytor blir heta under användning. Var försiktig med den återstående värmekällan, speciellt efter användning.
→ För att undvika brännskador, använd alltid grytvantar när du tar bort bakformen eller det färdiga brödet. (Använd inte våta grytlappar.)
- För inte in föremål i öppningarna.
- Överskrid inte den maximala mängden mjöl (600 g) och ingredienser såsom torrjäst (7 g) eller bakpulver (13 g). (Se S. SE9)
-  ● Dra ur stickkontakten när apparaten inte används.
- Se till att hålla i stickkontakten när du drar ut den. Dra aldrig i strömsladden.
- Före hantering, förflyttning eller rengöring, dra ut apparatens strömkontakt och låt den svalna.
- Denna produkt är avsedd för hushållsbruk.
- Se till att rengöra apparaten efter användning, särskilt ytor som kommer i kontakt med livsmedel. (Se S. SE18)

Viktig information

- Använd inte apparaten utomhus, i rum med hög luftfuktighet och forcera inte heller delarna på bilden till höger för att undvika felfunktioner och deformationer.
- Använd inte en kniv eller andra vassa verktyg för att avlägsna rester.
- Tappa inte apparaten för att undvika att den skadas.
- Förvara inga ingredienser eller bröd i bakformen.



Denna symbol på apparaten indikerar "Het yta och bör inte vidröras utan försiktighet".

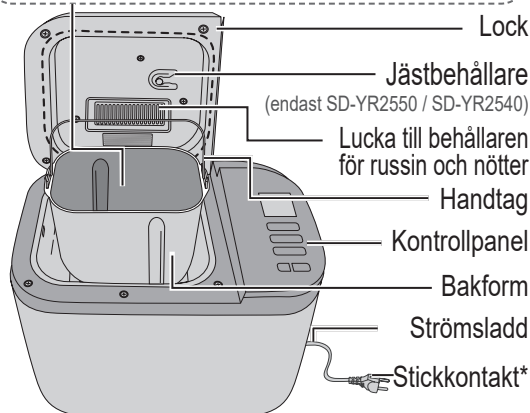
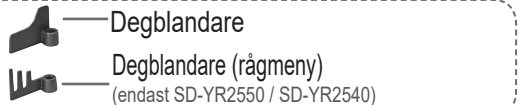
Svenska

SE5

Namn på delar och instruktioner

Huvudenhet

- Bilder på produkter i denna bruksanvisning exemplifieras av SD-YR2550



* Formen på stickkontakten kan skilja sig från illustrationen.

Lock med tillsatsbehållare

Tryck spärren på sidan av lock med tillsatsbehållare och lyft upp för att öppna den.

Spärr

Stäng lock med tillsatsbehållare tills spärren klickar.

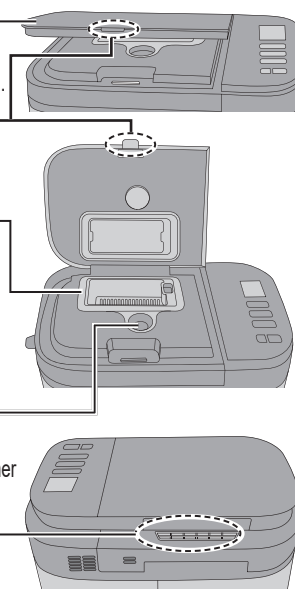
Tillsatsbehållare

(endast SD-YR2550 / SD-YR2540 / SD-R2530)
Ingredienserna placerade i dispensern för russin och nötter kommer automatiskt släppas ned i brödformen när du väljer menyn "russinöt".

Jästbehållare

(endast SD-YR2550 / SD-YR2540)
Torrijästen som placeras i jästdispensern kommer automatiskt att släppas ned i brödformen.

Ångventiler



Tillbehör

Måttbägare (SD-B2510: Doseringskopp)

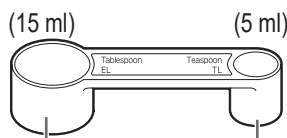
För dosering av vätskor, tillverkning av surdegsgrund



Lock
(Max. 550 ml)
• 10 ml markeringar

Doseringssked

För mätning av socker, salt, jäst, etc.



Matsked
• ½ markering
Tesked
• ¼, ½, ¾ markeringar

Sked för surdegsgrund

(endast SD-YR2550 / SD-YR2540 / SD-R2530)

För att mäta upp surdegsgrundjäst



Bakformen och degblandaren är försedd med en teflonbeläggning för att undvika fläckar och för att underlätta att få ut brödet.

- För att undvika skador, följ instruktionerna nedan.

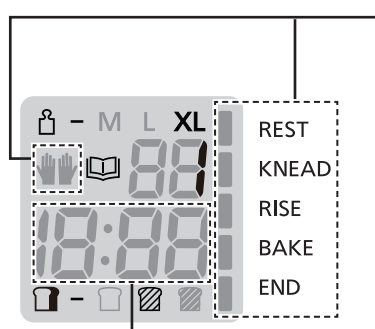
- Använd inte hårda verktyg såsom kniv eller gaffel när du tar ut brödet ur bakformen.
- Om brödet sitter fast i bakformen, låt formen stå och svalna i 5–10 minuter. Se till att det inte lämnas utan uppsikt så någon bränner sig eller något kan få brännskada. Använd sedan grytvantar och skaka formen flera gånger ordentligt. (Håll ner handtaget så att det inte kommer i vägen för brödet.)
- Kontrollera att degblandaren inte sitter kvar i brödet innan du skär upp det. Om den sitter kvar i brödet, vänta tills brödet svalnat innan du tar bort den. (Använd inte hårda eller vassa verktyg som en kniv eller en gaffel.) Se upp för brännskada eftersom degblandaren fortfarande kan vara het.
- Använd en mjuk svamp för att rengöra bakform och degblandare. Använd inte slipmedel som skurpulver eller skursvamp.
- Hårda, grova eller stora ingredienser som mjöl med hela eller malda kärnor, socker eller tillsatsen av nötter och frön kan skada bakformens teflonbeläggning. Om du använder stora bitar, bryt först ner dem i små bitar.
- Använd endast medlevererad degblandare för denna apparat. Bakformen, degblandaren och brödet kan vara mycket heta efter bakningen. Hantera dem alltid varsamt.



Namn på delar och instruktioner

Kontrollpanel och display

- Bilden visar alla ord och symboler, men endast de som är relevanta visas under drift.



Status

Visas för det aktuella stadiet av programmet förutom .

: Indikera att du vill utföra en manuell åtgärd.

Tid som visas

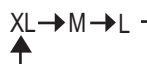
- Återstående tid tills bakningen är klar.
- Menyn kräver vissa manuella steg, displayen visar tiden tills beredningen startas efter att knappen har tryckts in.

Meny

- Tryck på \wedge eller \vee en gång för att ange ett läge.
- Tryck på \wedge eller \vee igen för att byta menunumret. (Håll knappen intryckt för att bläddra vidare.)

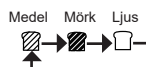
Storlek

Tryck på den här knappen för att välja storlek.



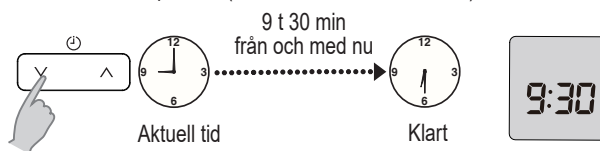
Skorpe

Tryck på den här knappen för att välja skorpan färg.



Timer

- Ställ in timerfördröjningen (hur lång tid tills brödet ska vara klart). För tillgänglig meny kan den ställas in för upp till 13 timmar (förutom meny "Grovt surdegsbröd" som endast kan ställa in för upp till 9 timmar).
Exempel: Klockan är 21:00 nu och du vill att ditt bröd ska vara klart kl 06:30 nästa morgon.
→ Ställ timern på 9:30 (9 timmar 30 minuter från nu).



- Ställ in tillagningstiden för Sötsaker Menyer:

\wedge Tryck på den här knappen för att öka tiden.

\vee Tryck på den här knappen för att minska tiden.

(För att gå framåt snabbare, tryck på knappen en gång och håll ner den.)

- Meny "Kaka"

Att trycka på knappen en gång förlänger ytterligare bakningstid med 1 minut.

- Meny "bakad endast"

Att trycka på knappen en gång förlänger bakningstiden inklusive ytterligare bakningstid med 1 minut.

- Meny "Sylt" och "Kompott"

Ett tryck på knappen förlänger koktiden med 10 minuter men ytterligare tillagningstid kommer att vara 1 minut.

Stoppa

För att avbryta inställningen / stoppa programmet. (Håll nere i ca 1 sekund.)

Starta

Tryck på den här knappen för att starta programmet.

Statusindikering

- Lampan blinkar för att indikera att maskinens inställningsläge är aktiverat eller att en manuell åtgärd krävs.

- knappen kan tryckas in.

- Lampan lyser permanent för att indikera att maskinen utför ett pågående program.

- knappen kan inte tryckas in.

Den kan inte aktiveras även om maskinen är kopplad till elnätet.

Rengöring & Underhåll

Innan du rengör maskinen ska du koppla ur den och låta den svalna.

■ För att undvika skador på maskinen.

- Använd inga slipmedel.
(skurpulver, skursvampar, osv)
- Diska inte maskinens delar i diskmaskinen.
- Använd inte bensen, thinner, alkohol eller blekmedel.
- När du diskat tvättbara delar, torka av dem med en trasa.
Håll alltid maskinens delar rena och torra.

Bakform & Degblandare

Ta bort alla degrester. Tvätta med en mjuk svamp eller konditori borste, torka sedan grundligt.

- Bakformen ska inte sänkas ned i vatten.
- Om det är svårt att ta bort degblandaren, håll varmt vatten i bakformen och vänta i 5 minuter – 10 minuter. (Inte lämna det för lång tid.)
Placera inte varmt tvålatten i bröd pan.

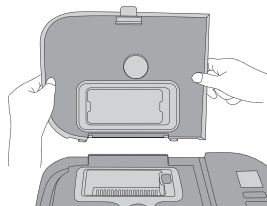
Utsidan & Ångventiler

- Torka av med en fuktig trasa.

Lock med tillsatsbehållare (endast SD-YR2550 / SD-YR2540 / SD-R2530)

Ta bort och disk med vatten. Torka den ordentligt, speciellt locket på jästfördelaren.

- Lyft locket med tillsatsbehållaren till ca 75 graders vinkel.
Justera anslutningarna och dra den uppåt för att ta bort eller tryck försiktigt tillbaka i samma vinkel för att sätta fast.
(Vänta tills maskinen har svalnat, eftersom den kommer att vara mycket varm direkt efter användning.)
- Var noga med att inte skada eller dra bort den förseglade packningen.
(Skador kan leda till läckage av ånga och kondens, eller deformation.)

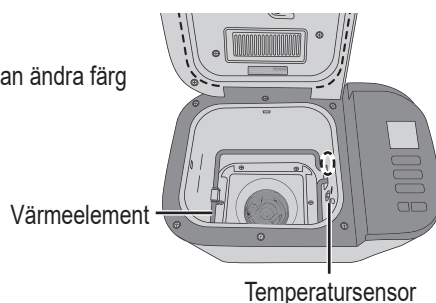


Insidan

Avlägsna livsmedelsrester.

Torka av maskinens insida med en fuktig trasa, utom kring värmelementet och temperatursensorn.

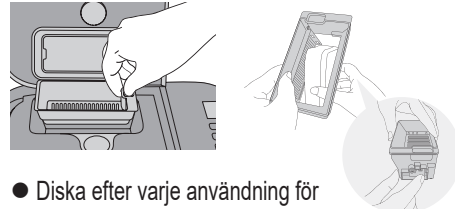
- Maskinens insida kan ändra färg vid användning.



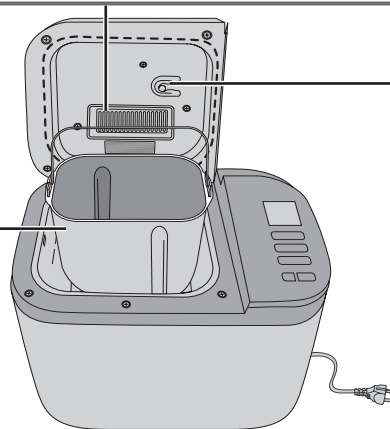
Tillsatsbehållare

(endast SD-YR2550 / SD-YR2540 / SD-R2530)

Ta bort och disk med vatten.



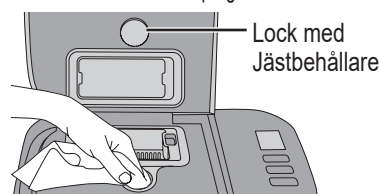
- Diska efter varje användning för att avlägsna eventuella rester.



Jästbehållare (endast SD-YR2550 / SD-YR2540)

Torka med en fuktig trasa och låt självtorka.

- Om man torkar med en torr trasa kommer torrjäst inte att falla ner i bakformen på grund av statisk elektricitet.



Lock med Jästbehållare (endast SD-YR2550 / SD-YR2540)

Torka med torr trasa om den är våt.

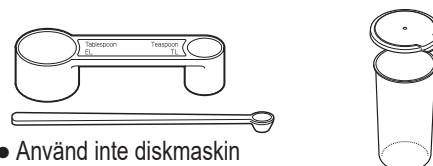
Doseringsked och sked för surdegsgrund

(endast SD-YR2550 / SD-YR2540)

Diska med vatten.

Måttbägare (SD-B2510: Doseringsskopp)

Diska med varmt vatten och diskmedel och torka noga.



- Använd inte diskmaskin

Specifikationer

	SD-YR2550	SD-YR2540	SD-R2530	SD-B2510
Strömförsörjning	230 V ~ 50 Hz			
Strömförbrukning	550 W			
Kapacitet	(Starkt mjöl till ett bröd)	max. 600 g	min. 400 g	
	(Starkt mjöl för en deg)	max. 600 g	min. 250 g	
	(Torrjäst)	max. 7 g	min. 1,4 g	
	(Bakpulver)	max. 13 g	min. 10 g	
Tillsatsbehållarens kapacitet	Max. 150 g Torkad frukt / Nötter			—
Timer	Digitaltimer (upp till 13 h)			
Dimensioner (B × H × D)	Ca 40,8 × 36,2 × 25,2 cm			
Vikt	Ca 7,5 kg	Ca 7,5 kg	Ca 7,0 kg	Ca 6,5 kg
Tillbehör	1 måttbägare, 1 doseringssked, 1 sked för surdegsgrund			1 doseringskopp, 1 doseringssked
Ljudnivå [dB(A) ref 1 pW]	60,68	60,68	58,68	58,68

Avfallshantering av produkter

Endast för Europeiska Unionen och länder med återvinningssystem.

Denna symbol på produkter, förpackningar och / eller medföljande dokument betyder att förbrukade elektriska och elektroniska produkter inte får blandas med vanliga hushållssopor.

För att gamla produkter ska hanteras och återvinnas på rätt sätt ska dom lämnas till passande uppsamlingsställe i enlighet med nationella bestämmelser.



Genom att ta göra det korrekt hjälper du till att spara värdefulla resurser och förhindrar eventuella negativa effekter på människors hälsa och på miljön.

För mer information om insamling och återvinning kontakta din kommun.

Olämplig avfallshantering kan beläggas med böter i enlighet med nationella bestämmelser.



Memo



Memo