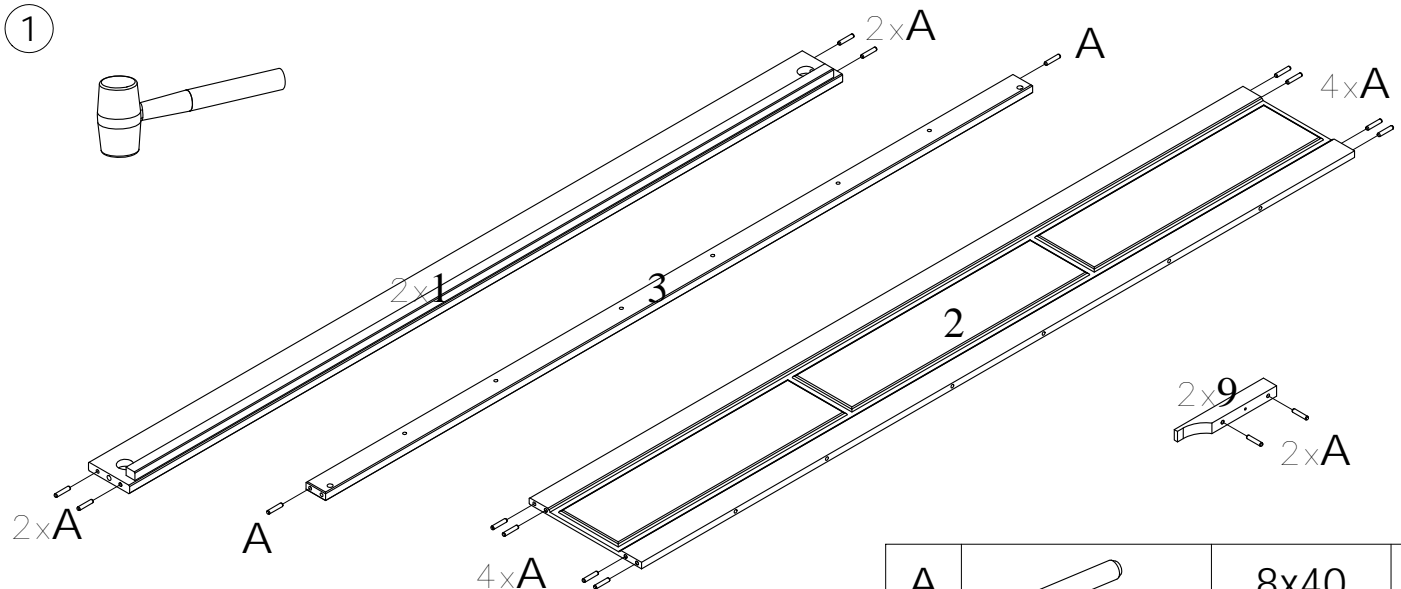


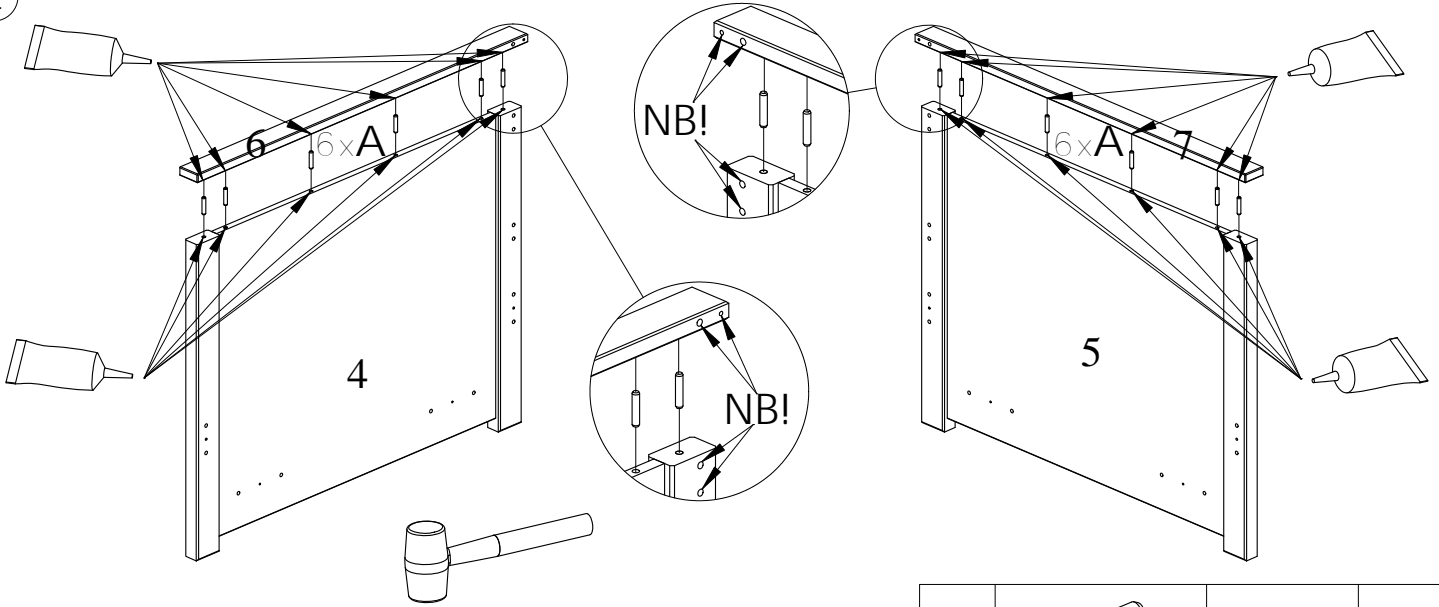
A		8x40	x40
B		7x60	x4
C		D35	x4
D		6,1x24x35	x2
E		D12x10	x2

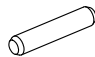
F		5x50	x2
G		3,5x40	x8
H		GLUE	x1
J		4mm	x1



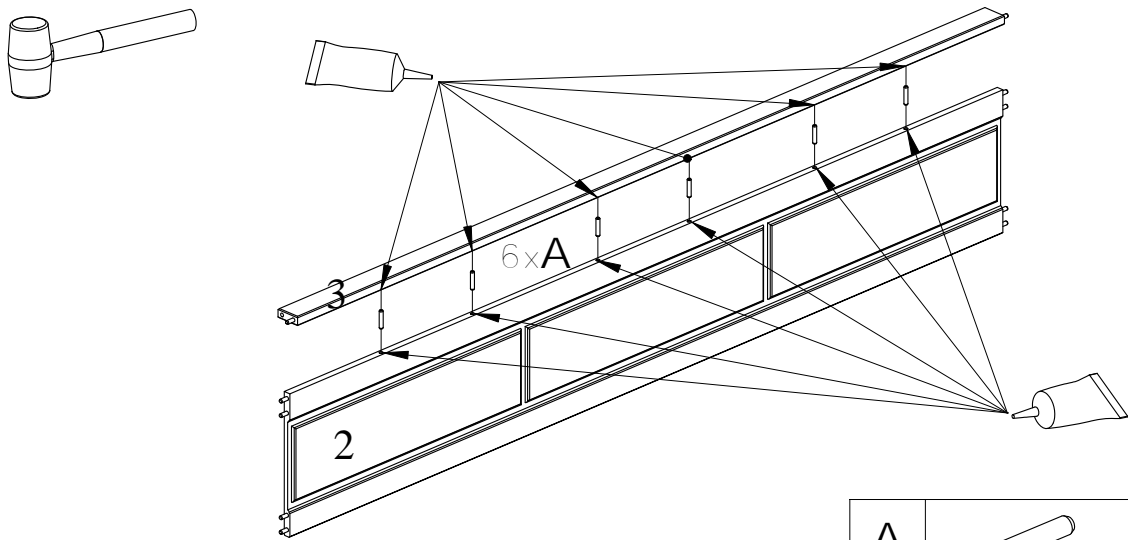
A		8x40	x22
---	--	------	-----

2



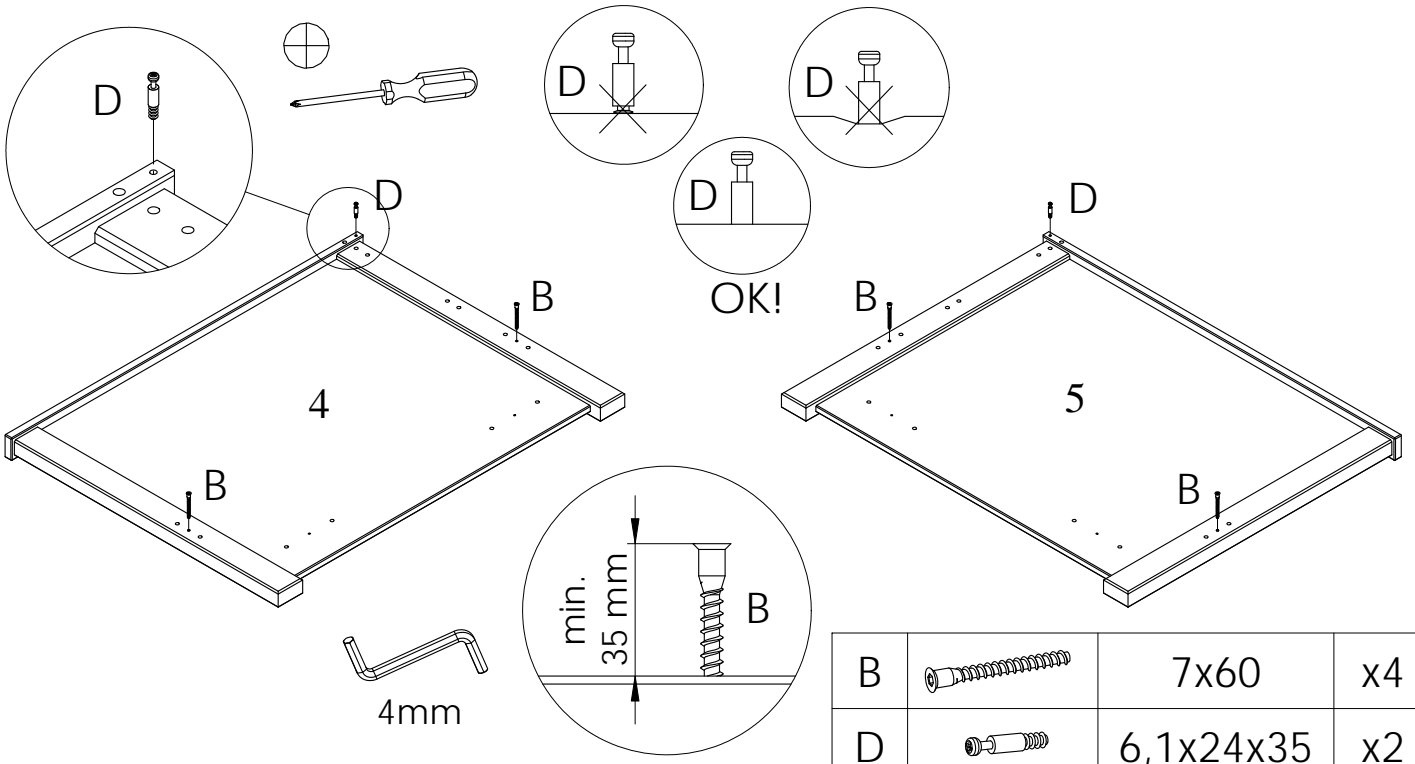
A		8x40	x12
---	-------------------------------------------------------------------------------------	------	-----


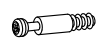
3



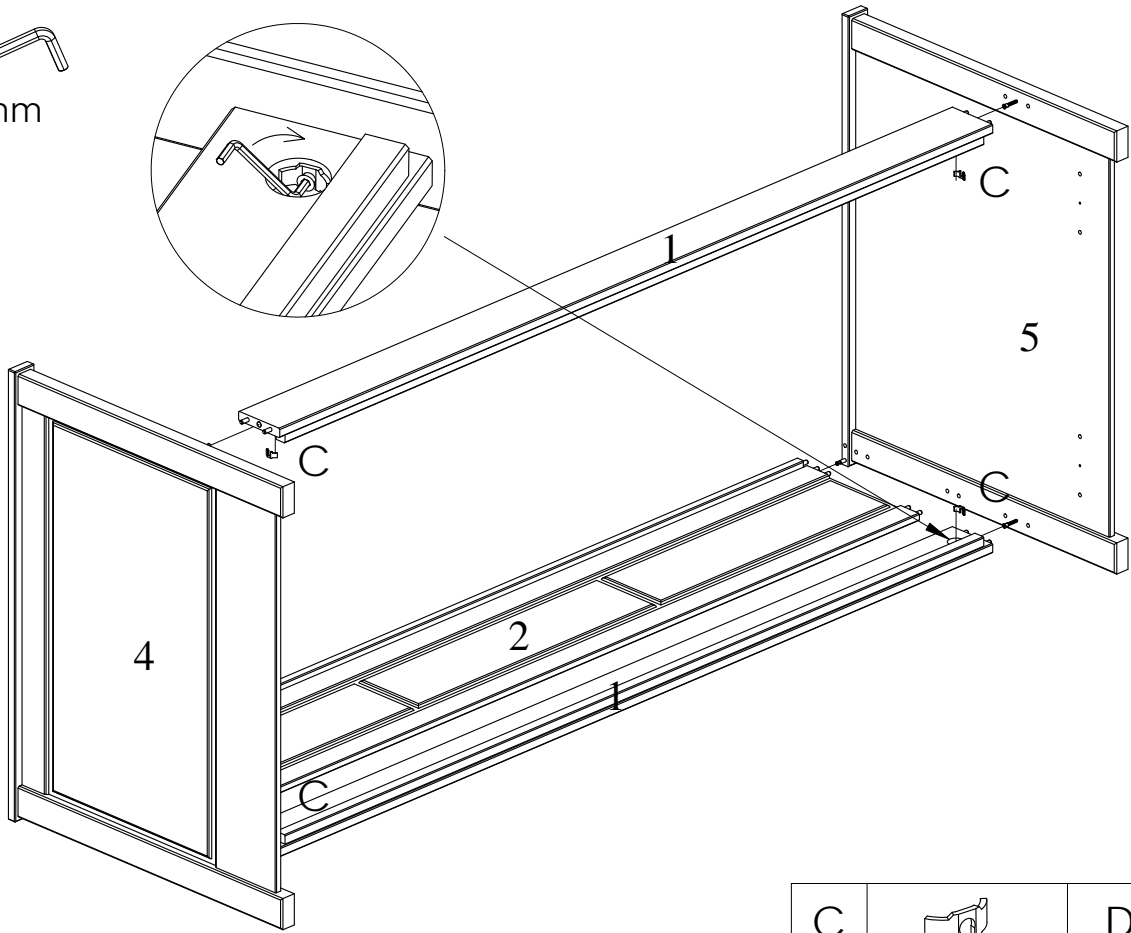
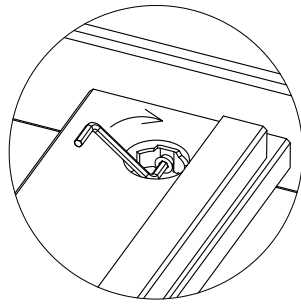
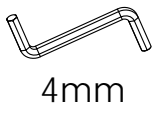
A		8x40	x6
---	---------------------------------------------------------------------------------------	------	----

4



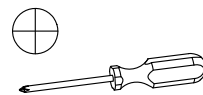
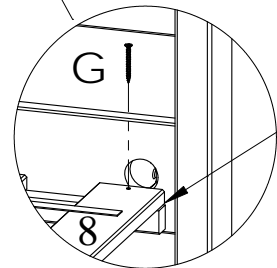
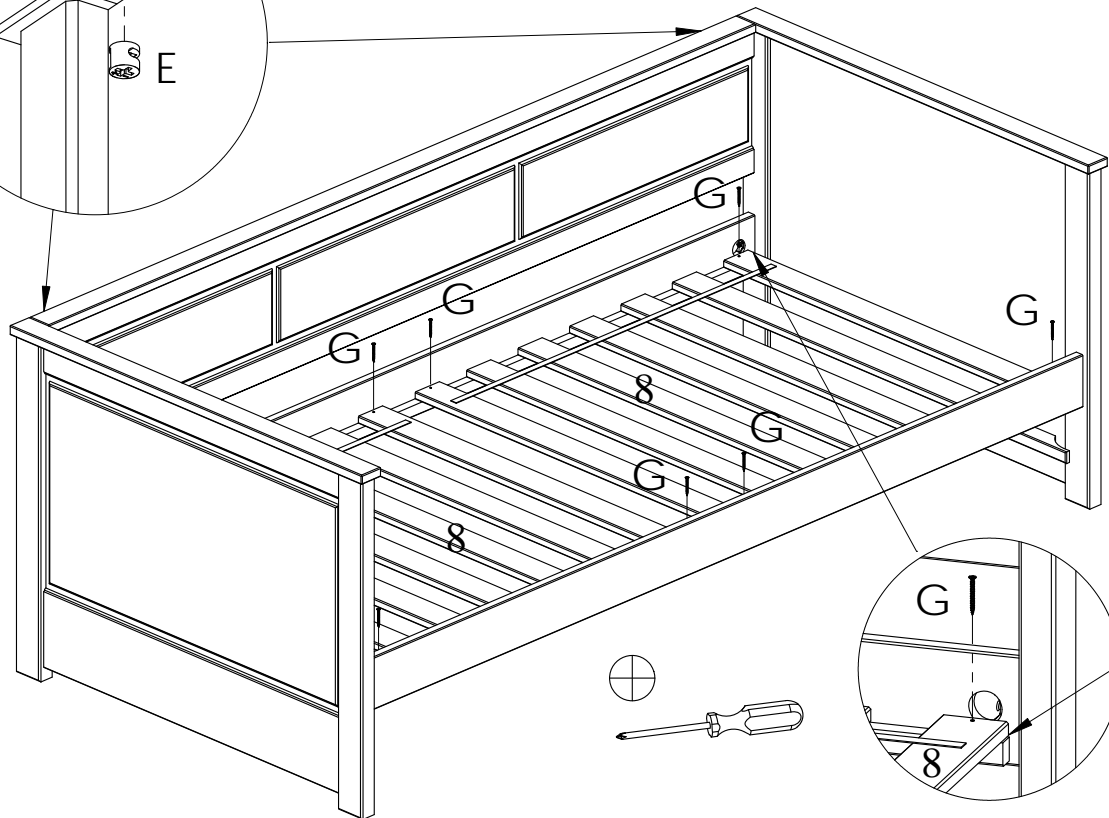
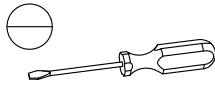
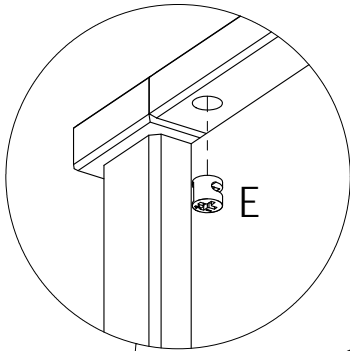
B		7x60	x4
D		6,1x24x35	x2

5



C		D35	x4
---	--	-----	----

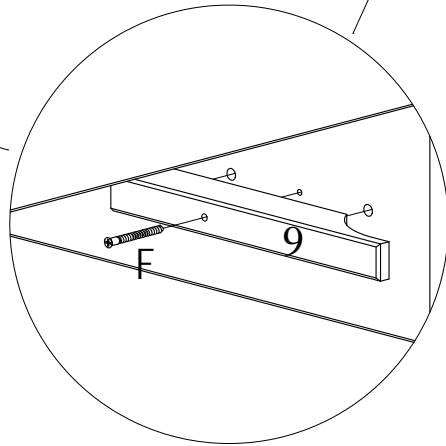
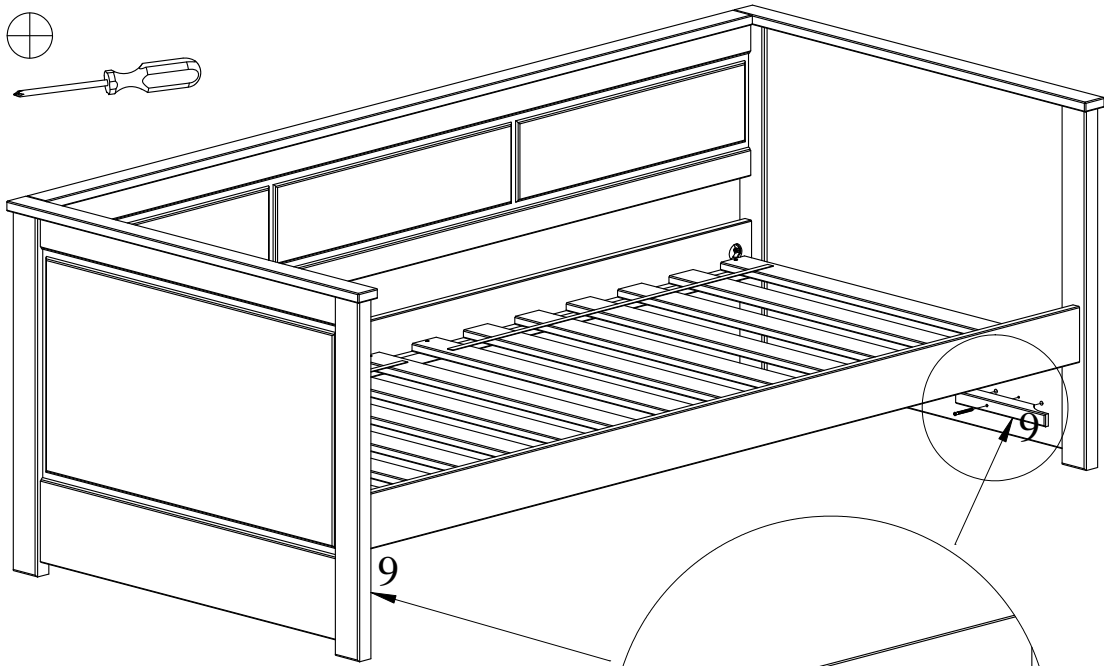
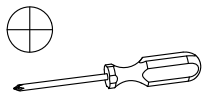
6



E		D12x10	x2
---	--	--------	----

G		3,5x40	x8
---	--	--------	----

7

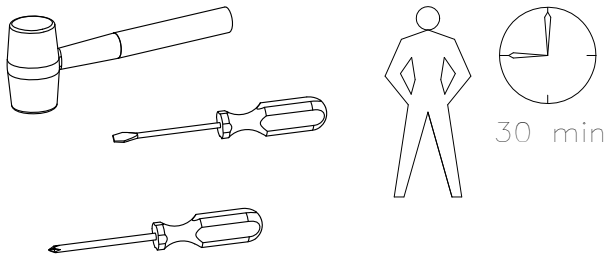
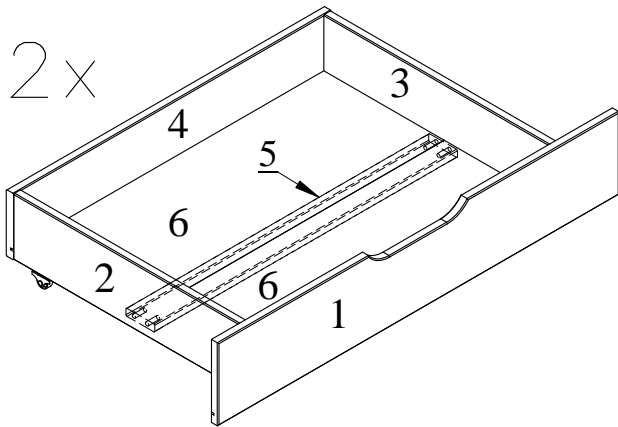


F

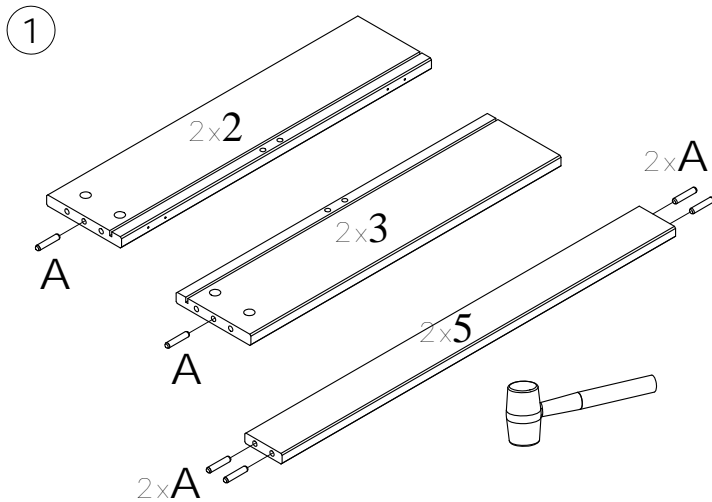


5x50

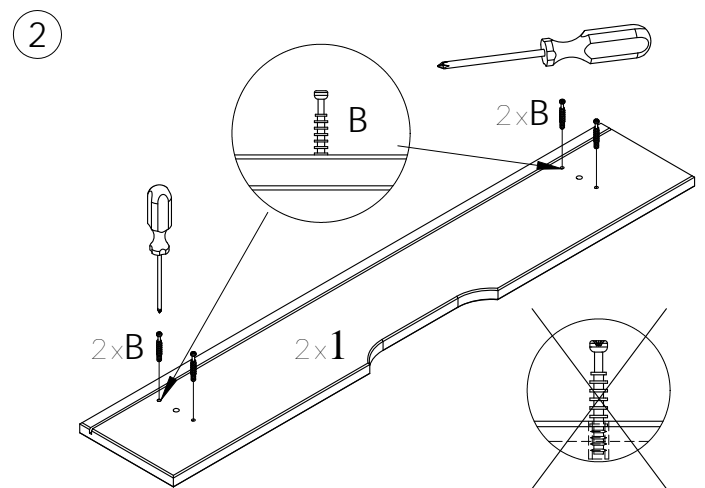
x2



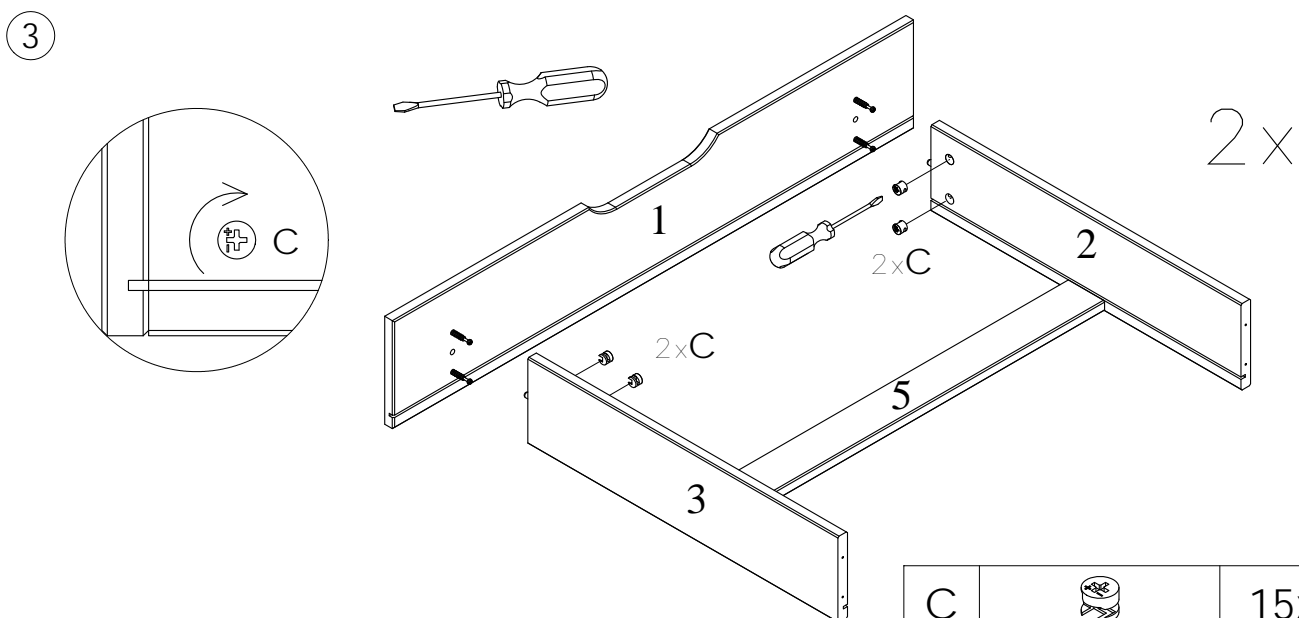
A		8x40	x12
B		7x34	x8
C		15x12	x8
D		3,5x40	x8
E		D=26	x8
F		3,5x16	x16
G		1,6x16	x20
H		28x25x20	x3
J		5x45	x3



A		8x40	x12
---	--	------	-----



B		7x34	x8
---	--	------	----



C		15x12	x8
---	--	-------	----

④

H		28x25x20	x3
J		5x45	x3

⑤

2x

D		3,5x40	x8
---	--	--------	----

⑥

2x

G		1,6x16	x20
---	--	--------	-----

⑦

2x

E		D=26	x8
F		3,5x16	x16