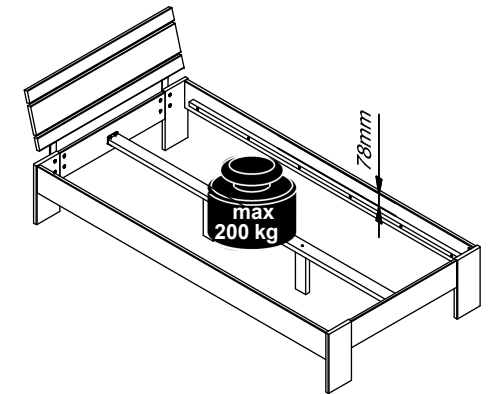
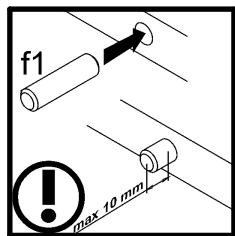


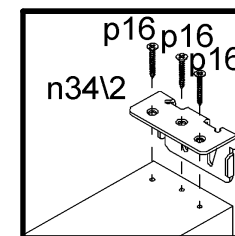
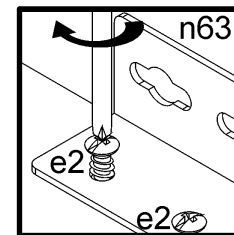
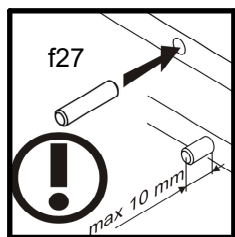
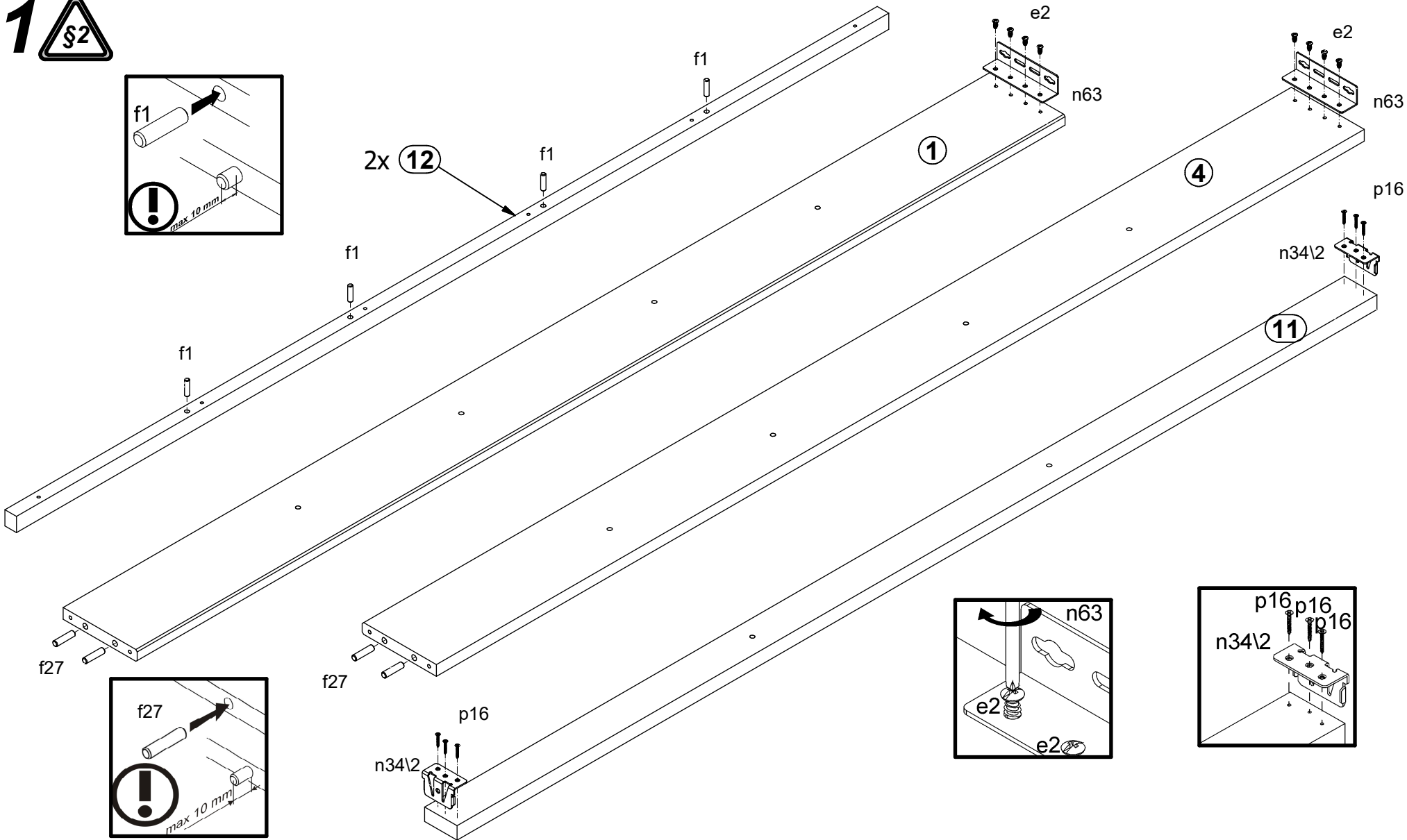
A	B	C (mm)			D
1	L133-1001	2000	160	22	1/2
2	L133-1003	352	161	22	2/2
3	L133-1004	352	161	22	2/2
4	L133-1005	2000	160	22	1/2
5	L133-1006	352	161	22	2/2
6	L133-1007	352	161	22	2/2
7	L133-1008	730	160	18	2/2
8	L133-5005	1000	70	22	2/2
9	L133-5006	1000	160	22	2/2
10	MZ1-705	242	70	27	2/2
11	ZZ1-719	1983	70	27	1/2
12	ZZ1-792	1880	25	30	1/2









16x Ø6.3x13 mm e2	6x Ø7x70 mm e27	8x Ø6x13 mm e3	8x Ø8x30 mm f1	4x Ø10x40 mm f27	8x Ø8x50 mm f6	2x n3411	2x n3412	2x 130x34x34/2 mm n63	2x 545x405 mm n96	12x Ø4x45 mm p11	6x Ø3.5x25 mm p16	8x Ø4x25 mm p36
12x Ø5x20 mm p45	16x Ø15x12 mm #16 r1	8x r10	1x 4 mm z1									

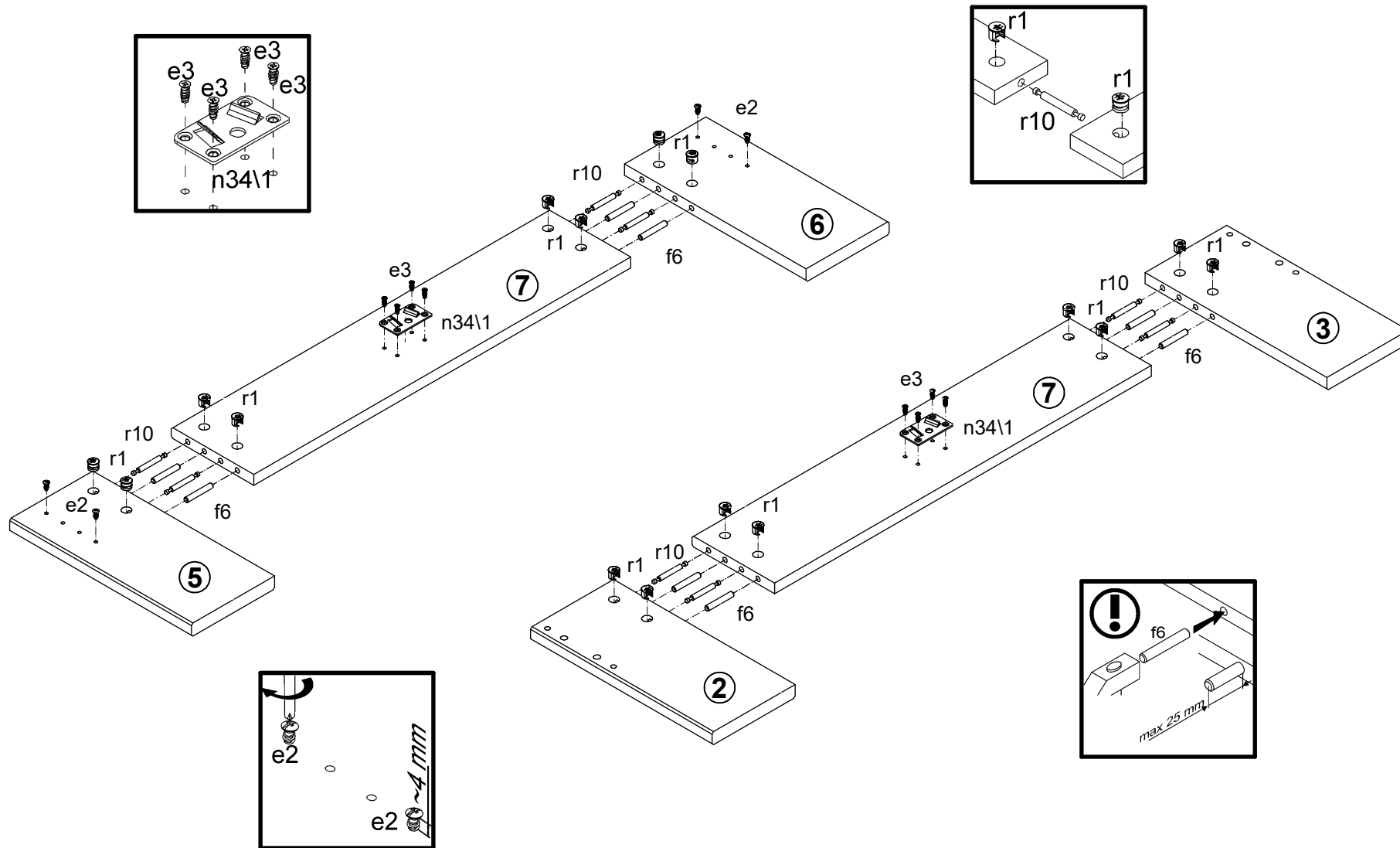








2x 12



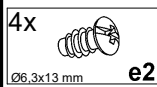
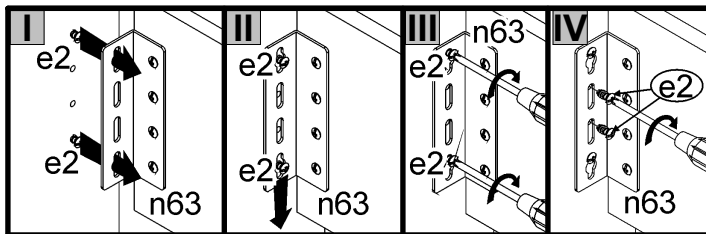
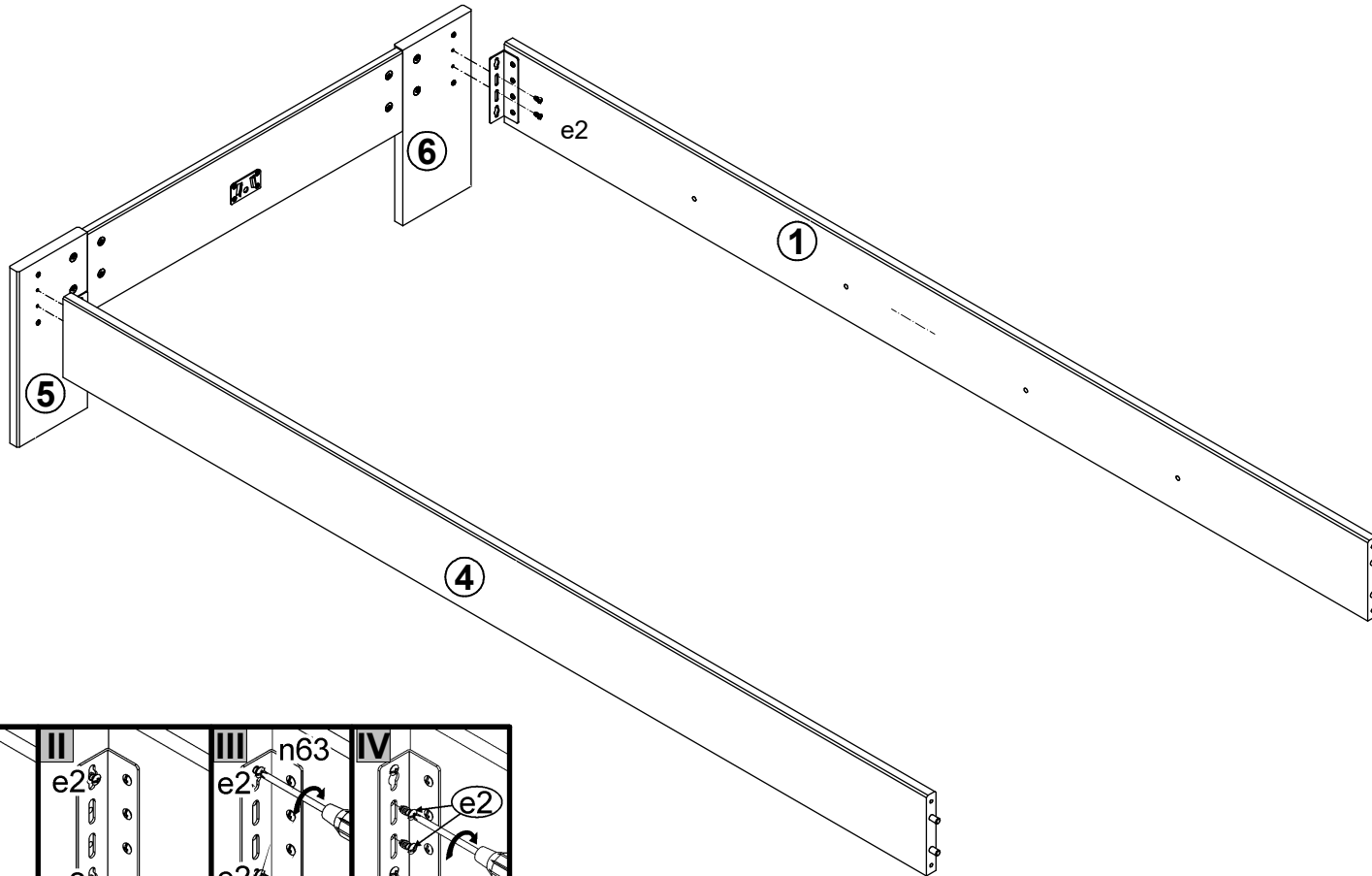
- 8x  e2
- 8x  f1
- 4x  f27
- 2x  n34\2
- 2x  n63
- 6x  p16

2

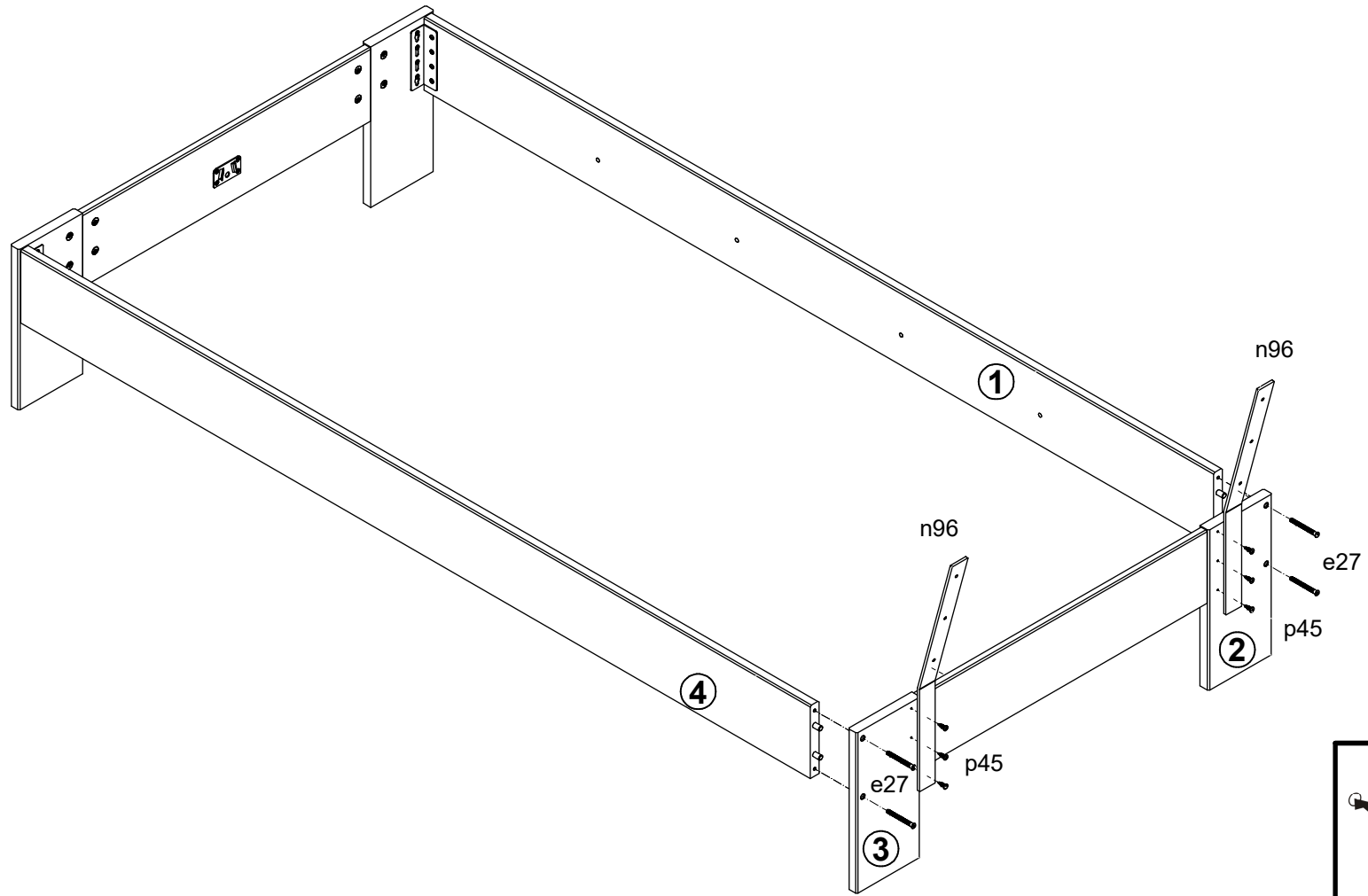


- 4x  e2 Ø6.3x13 mm
- 8x  e3 Ø6x13 mm
- 8x  f6 Ø8x50 mm
- 2x  n34\1
- 16x  r1 Ø15x12 mm #16
- 8x  r10

3



4



- | | | |
|---------------|---------------|---------------|
| 4x

e27 | 2x

n96 | 6x

p45 |
|---------------|---------------|---------------|

6

