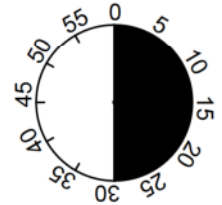
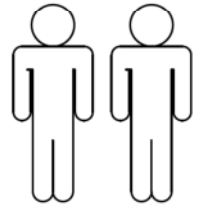
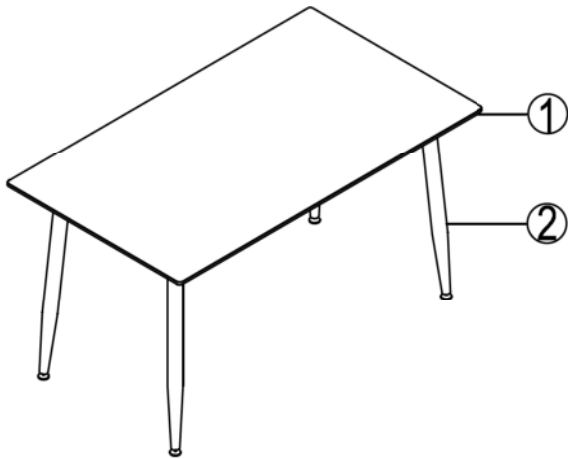
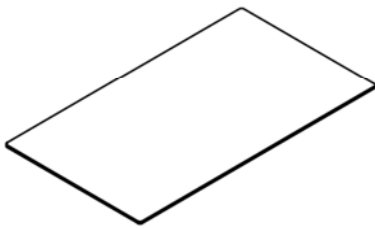


Alizia



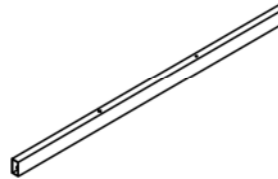
1



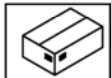
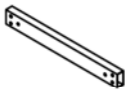
2



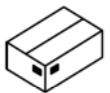
3



4

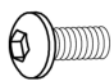


1	1 x	1/2
2	4 x	2/2
3	2 x	2/2
4	2 x	2/2



2/2

A



M8x10

24x

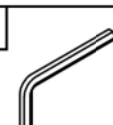
B



Ø30

8x

C

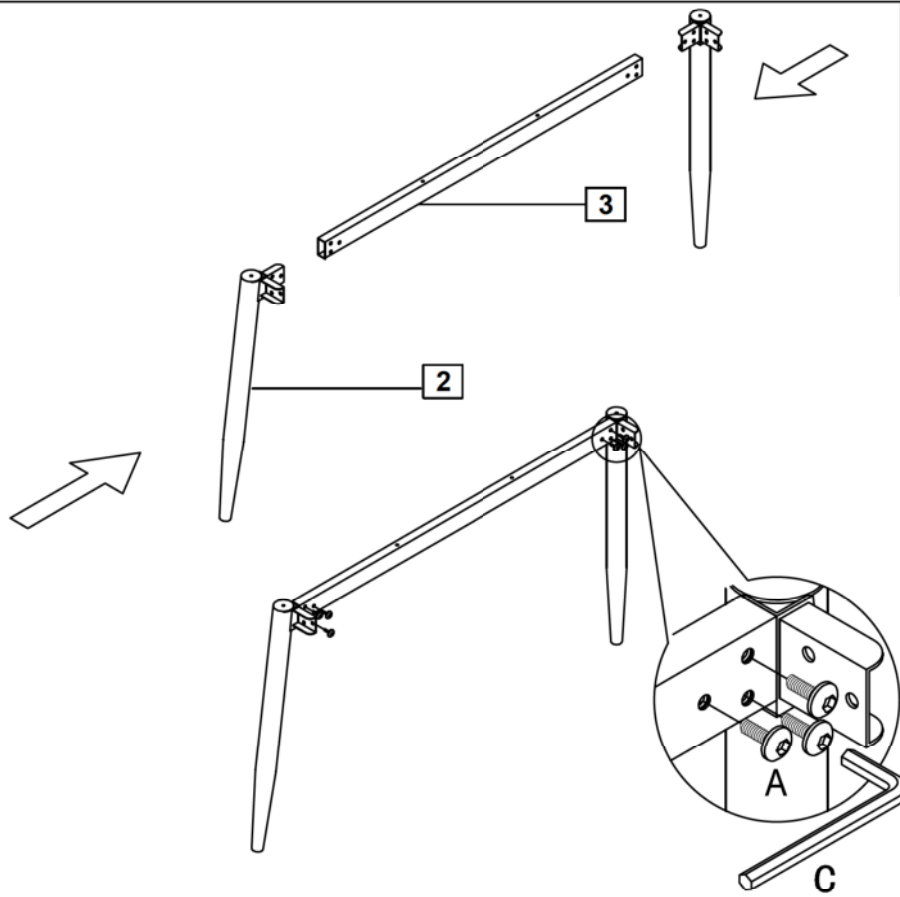


6MM

1x

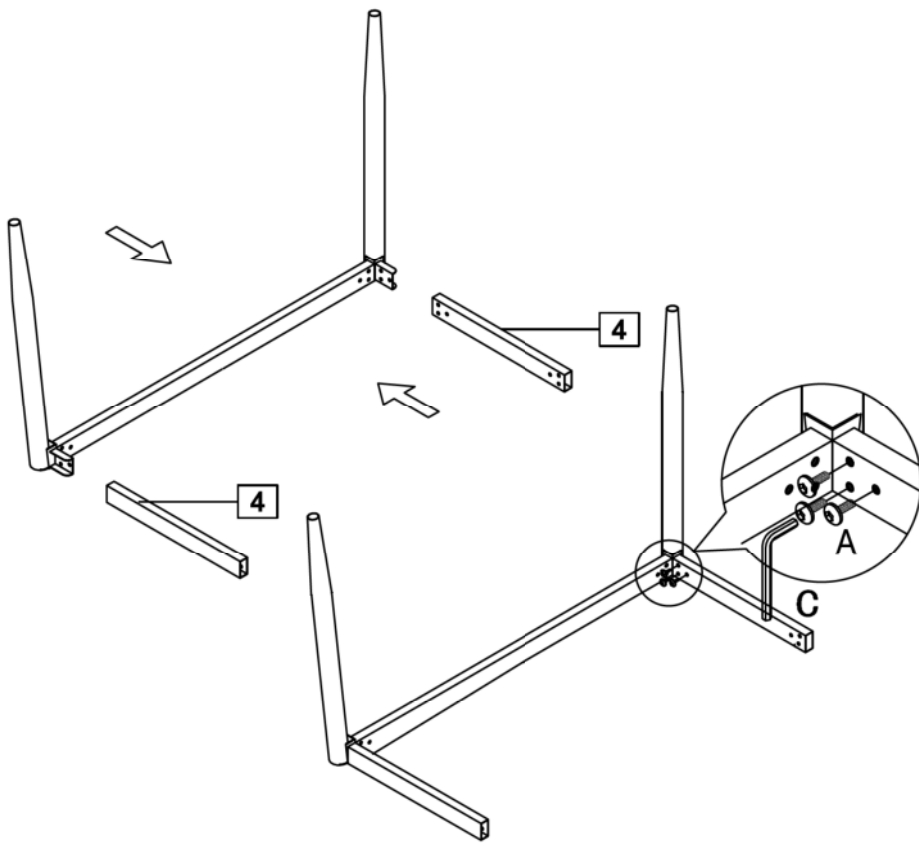
I.

1



A	M8x10
	12x
C	6MM
	1x

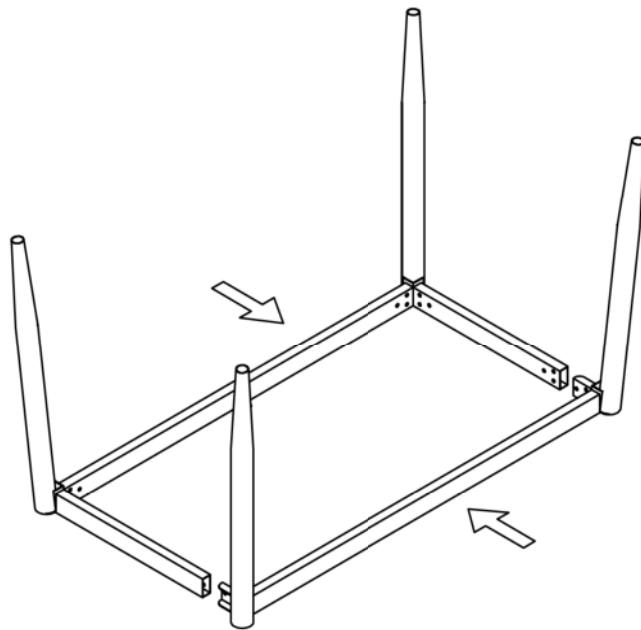
2



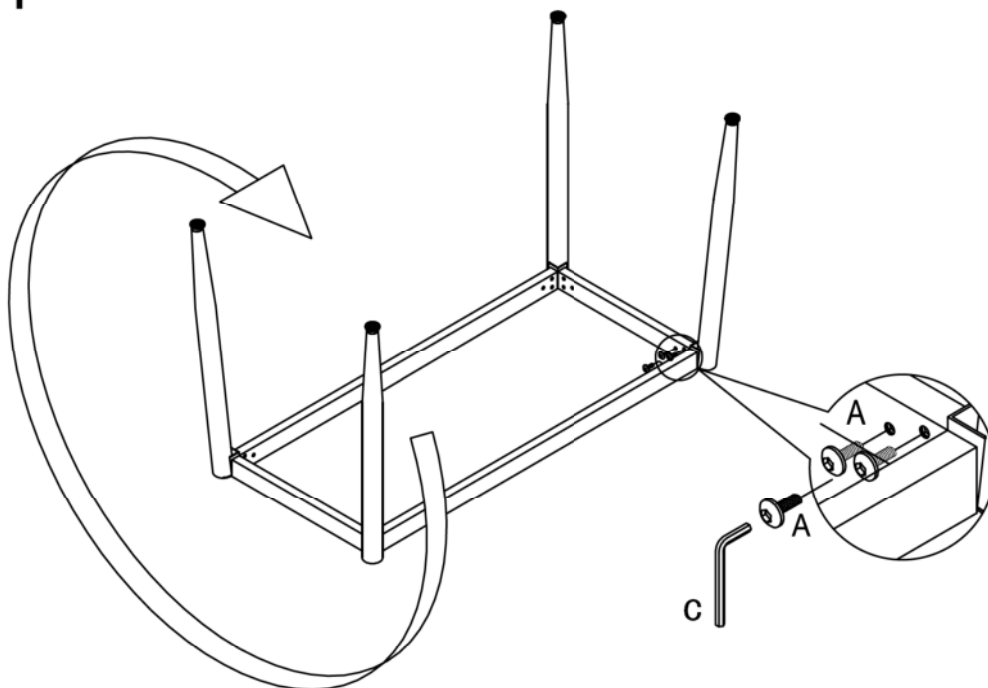
A	M8x10
	6x
C	6MM
	1x




II.

3



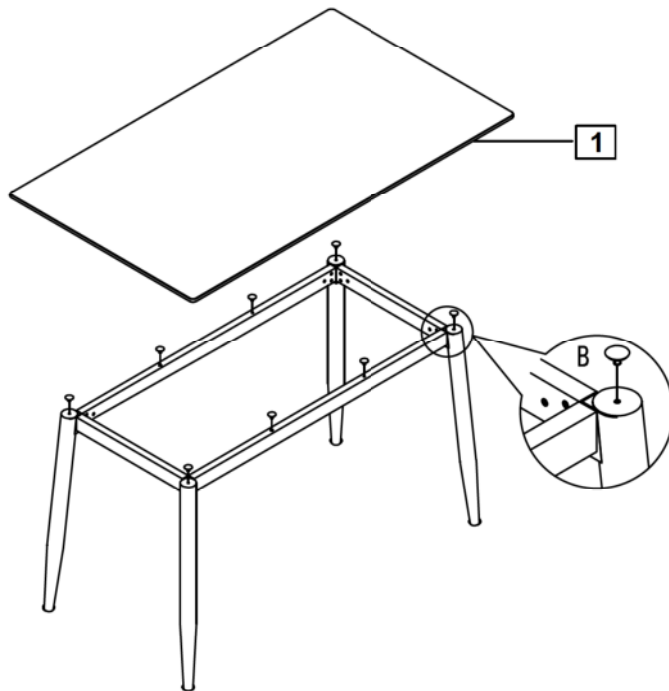
4





A	M8x10
	
	6x
C	6MM
	
	1x
	

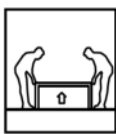
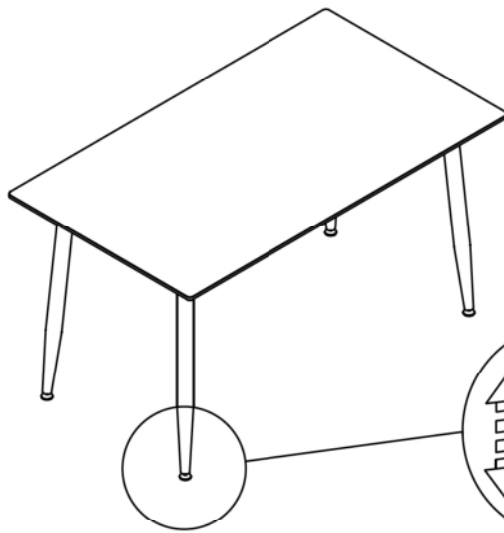
III.

5



B		Ø30
		8x
		

6

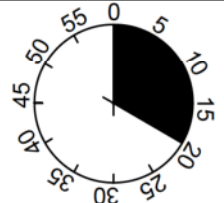
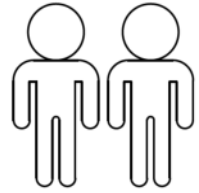
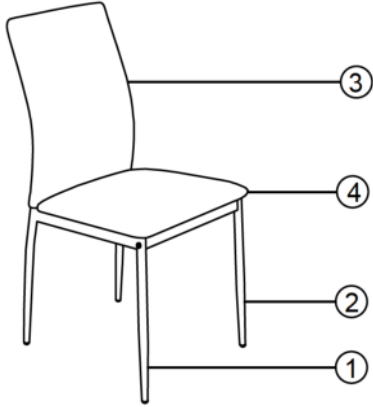


LE TRI
+ FACILE



Séparez les éléments avant de trier

Alizia



1



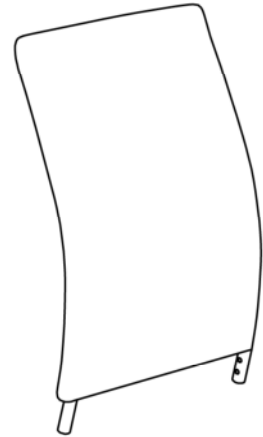
L

2



R

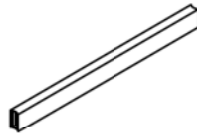
3



4



5



1	1 x
2	1 x
3	1 x
4	1 x
5	1 x



1/1

A

M6x15



4x

B

M6x40



2x

C

M6x16



4x

D

Ø18xØ6x1.5



4x

E

4MM



1x

1.

1

B M6x40
2x

E 4MM
1x

75%

2

3

A M6x15
4x

E 4MM
1x

75%

3

4

C M6x16
4x

D Ø18xØ6x1.5
4x

E 4MM
1x

75%

4

E 4MM
1x

100%



**LE TRI
+ FACILE**



Séparez les éléments avant de trier