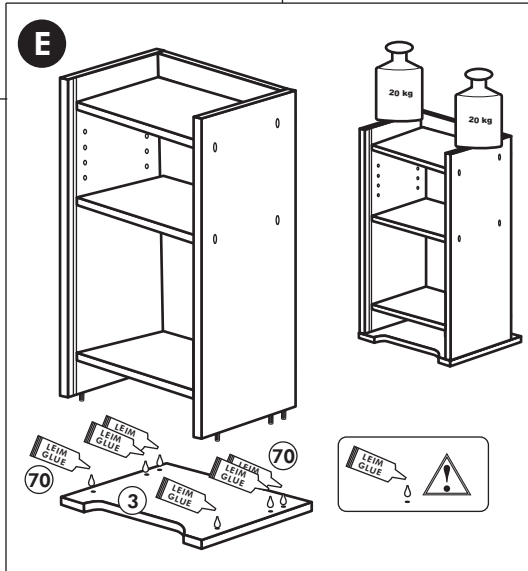
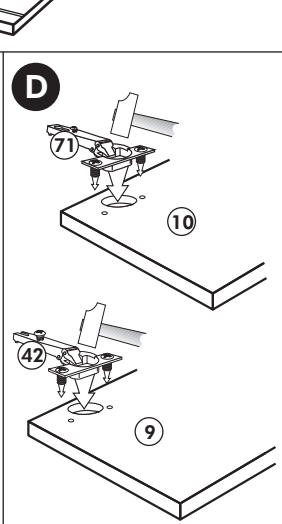
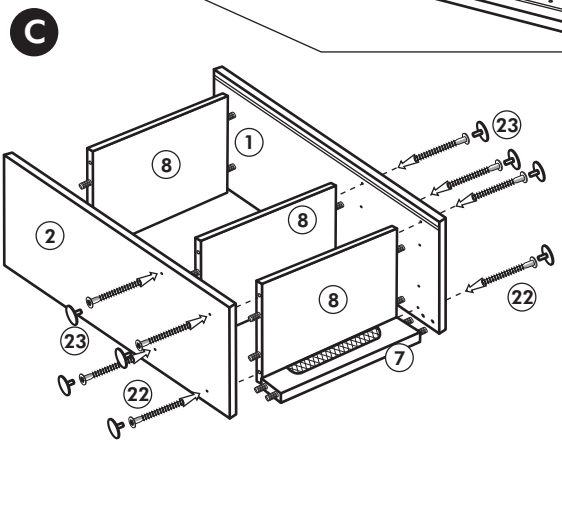
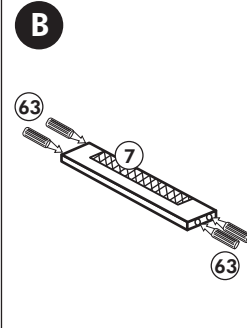
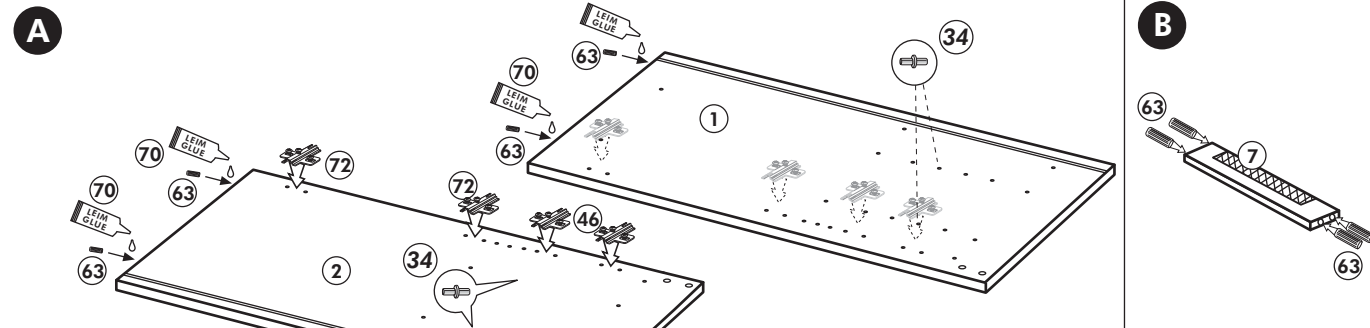
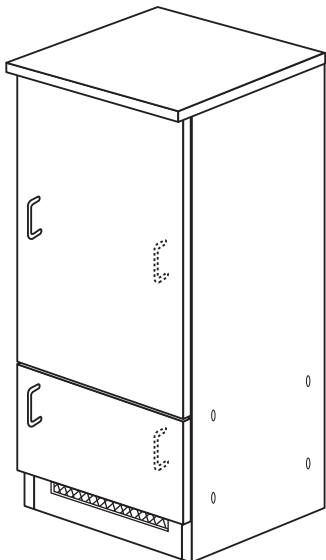
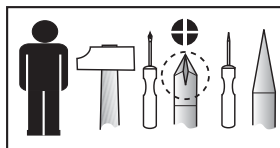


Kühlschranksbau 165cm

Nr. 301 Rev.00



- | | | | |
|------|-------|-----------------|-------------------|
| 1x 1 | 1x 2 | 1x 10 | 34 4x |
| | | | 23 8x Ø 3 |
| | | | 26 4x 4,0 x 30 M4 |
| | | 1x 9 | 63 10x 8 x 30 |
| | | | 22 8x |
| 1x 3 | 3x 8 | | 72 2x |
| | 1x 7 | | 70 1x LEIM GLUE |
| 1x 5 | 1x 11 | 71 2x | 42 2x |
| | | 27 10x 3,0 x 20 | 46 2x |
| | | 60 2x Ø 5 | 21 2x |

