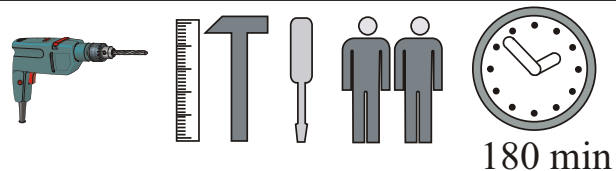
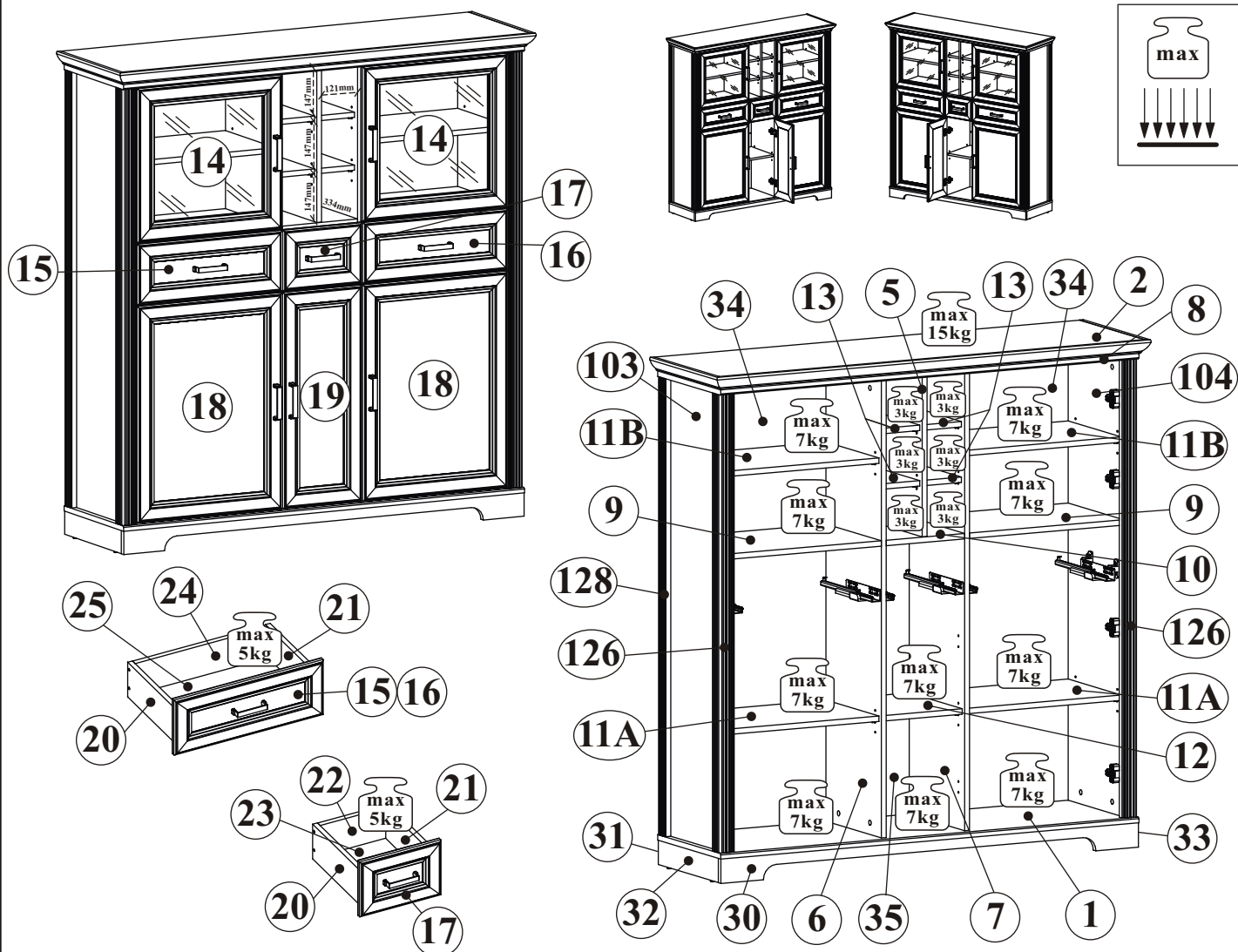
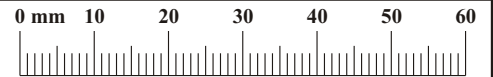


JASMIN 10G9_22



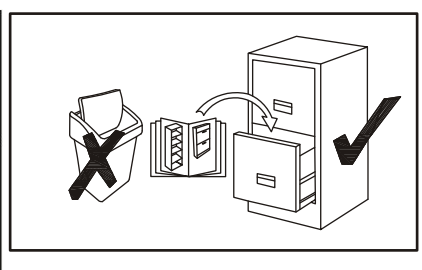
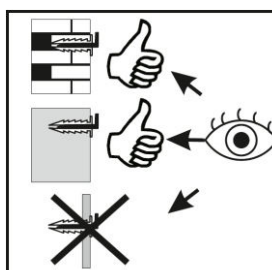
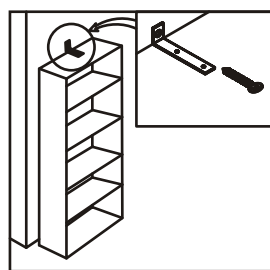
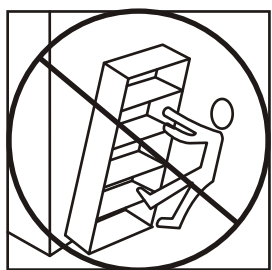
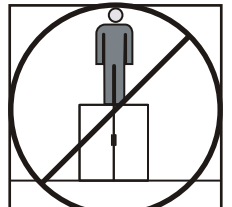
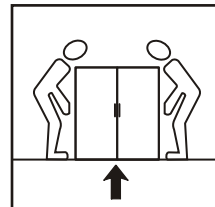
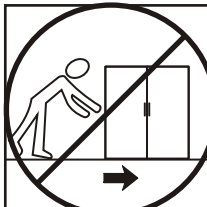
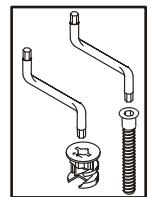
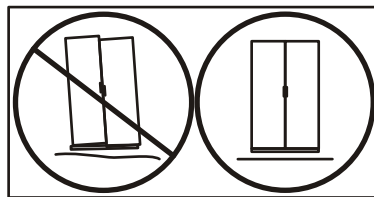
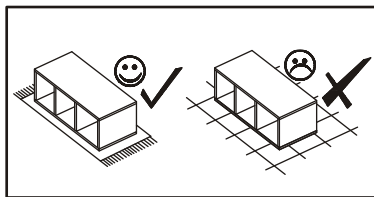
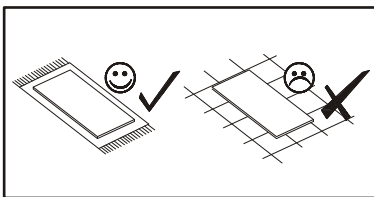
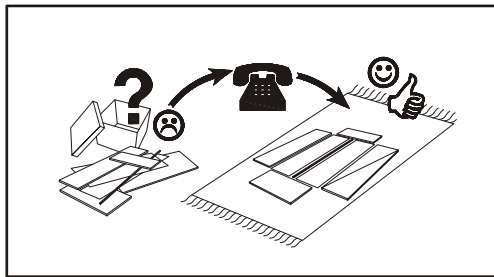
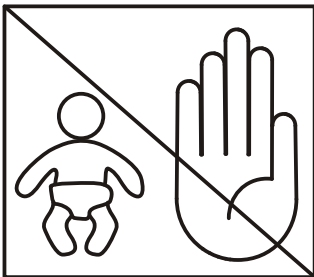
NO	Dim.			Col.-No	Qty
1	1376	386	16	2	1
2	1429	412	42	2	1
103	1346	359	16	3	1
104	1346	359	16	3	1
5	473	334	16	3	1
6	1346	339	16	3	1
7	1346	339	16	4	1
8	1376	386	16	2	1
9	507	339	16	2	2
10	258	339	16	3	1
11A	507	324	16	1	2
11B	507	324	16	1	2
12	258	324	16	3	1
13	121	329	16	3	4
14	476	496	22	1	2
15	496	188	22	1	1
16	496	188	22	1	1

NO	Dim.			Col.-No	Qty
17	270	188	22	1	1
18	668	496	22	1	2
19	668	270	22	1	1
20	300	120	16	4	3
21	300	120	16	4	3
22	218	106	16	4	1
23	304	230	3	4	1
24	442	106	16	4	2
25	454	304	3	4	2
126	1346	49	49	3	2
128	1346	43	19	3	2
30	1374	72	16	2	1
31	1340	72	16	3	1
32	369	72	16	4	1
33	369	72	16	4	1
34	1358	521	3	4	2
35	1358	274	3	4	1

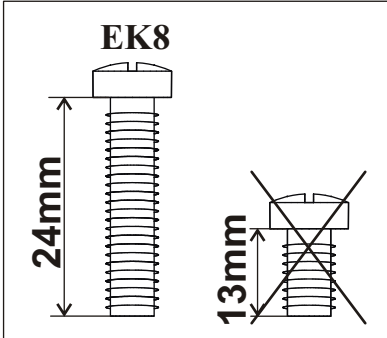
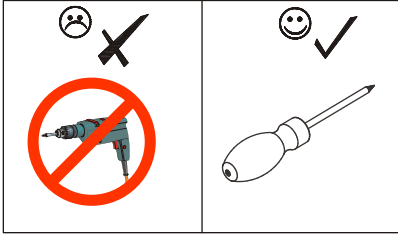


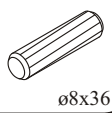

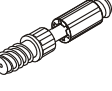
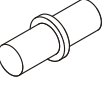
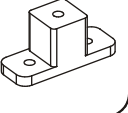

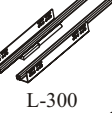
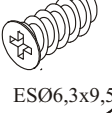
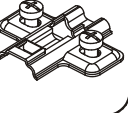
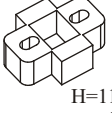

A1 x58 ø8x36	B4 x38 	B5 x46 ø15x12	G5 x46 	B11 x16 Ø7x50	B14 x8 Ø7x30
E9 x2 H=8	E17 x8 H=16	E13 x10 	E0 x8 H=11	EK8 x16 EKØ6,3x24	G4 x14
QU x3 L-300	D20 x12 ESØ6,3x9,5	D10 x38 USØ3,5x13	H1 x4 	EK6 x8 EKØ6,3x13	G7 x28
C19 x8 	D34 x6 M4x16	D4 x10 M4x30	Z2 x4 Ø5	KM1 x3 	I2 x6
S1 x23 	G16 x18 	UP13 x37 UPØ3x16	L1 x2 	KR1 x2 	G2 x1
UP9 x8 UPØ3,5x16	I9 x2 H-60 mm.	OS3 x2 	B6 x4 Ø7x76	PH x8 	G12 x24 Ø14

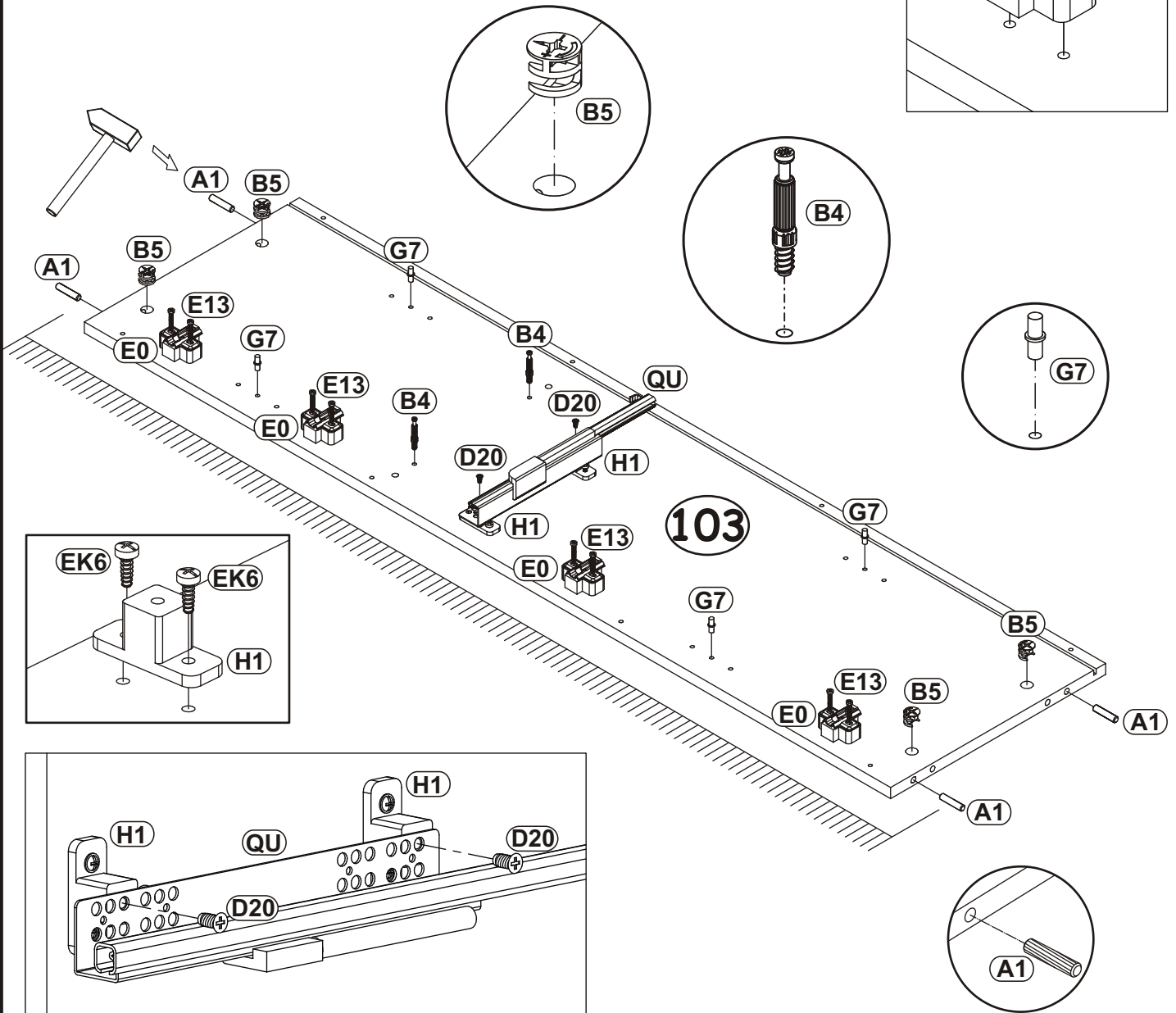
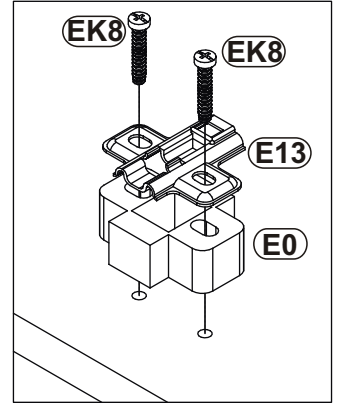
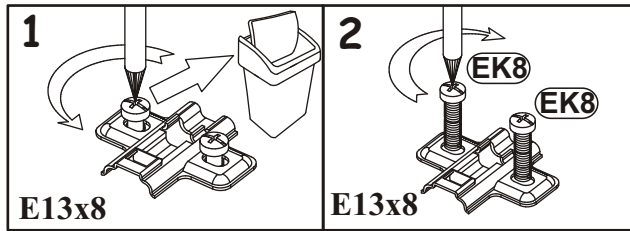
D24 x16 USØ4x30



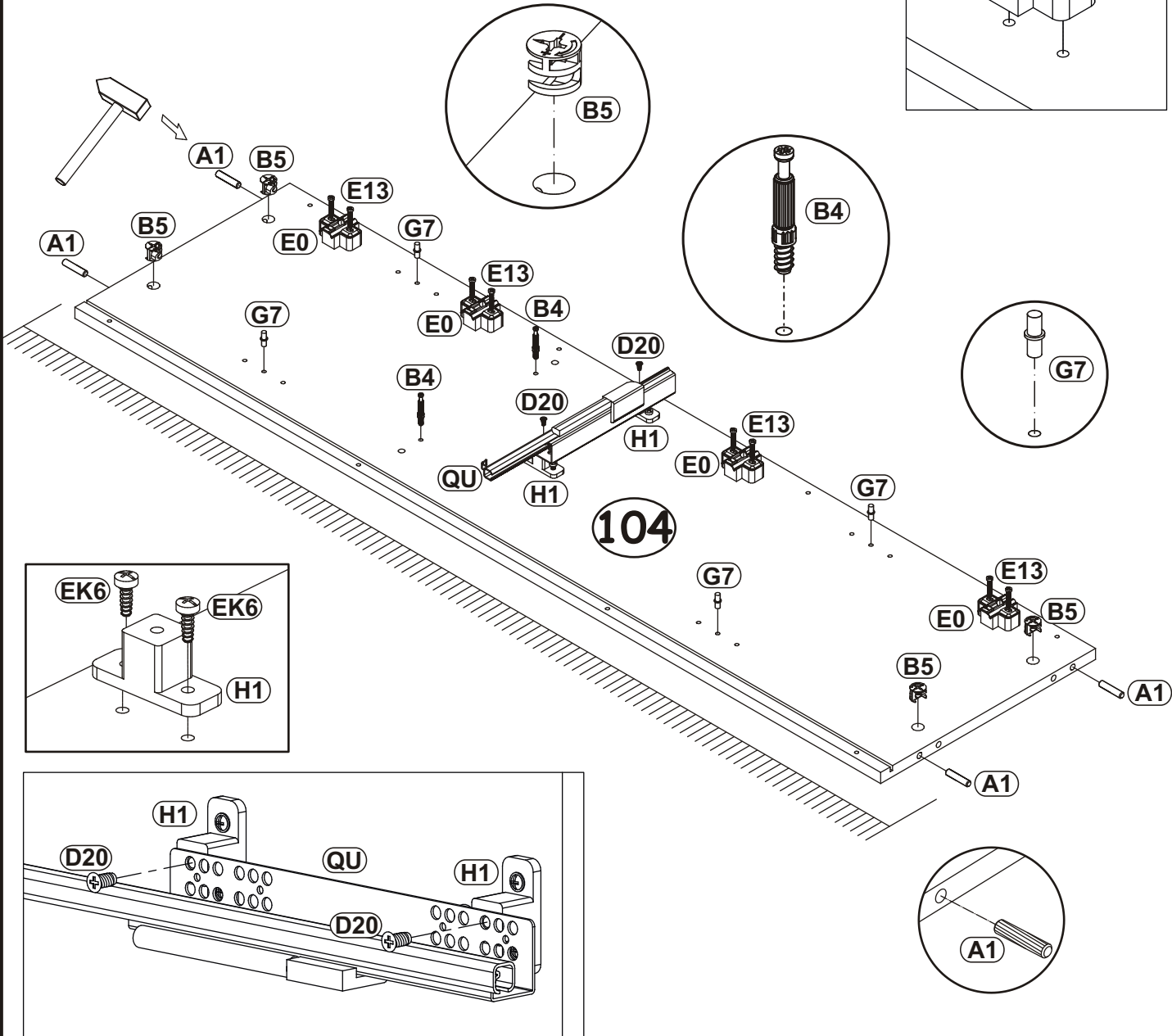
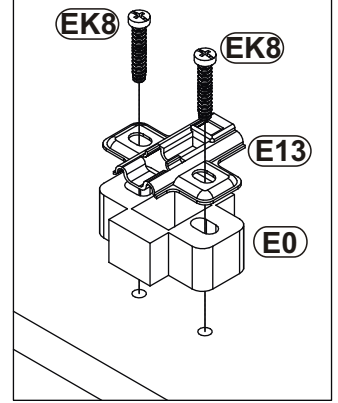
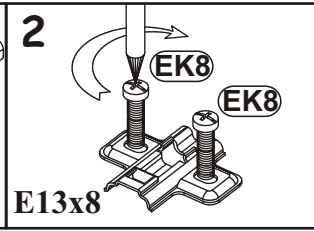
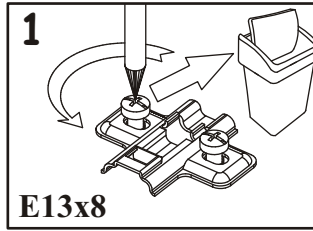
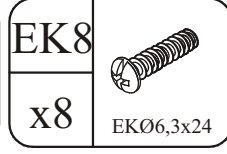
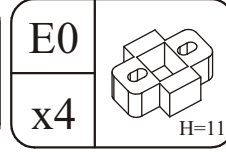
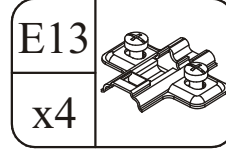
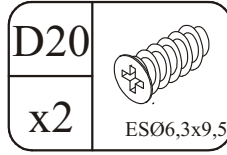
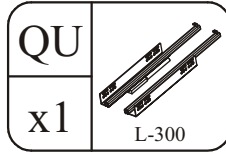
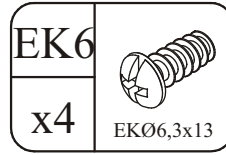
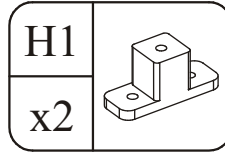
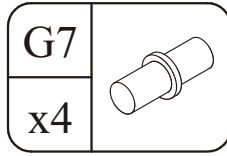
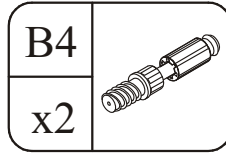
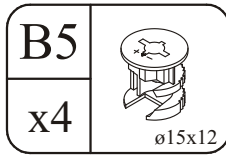
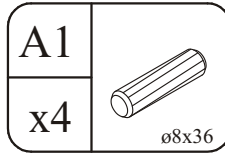
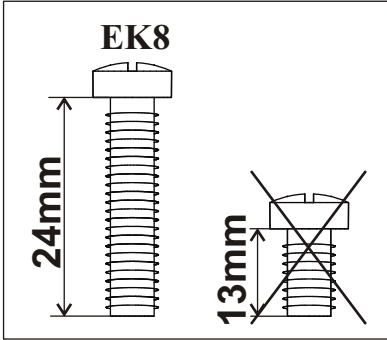
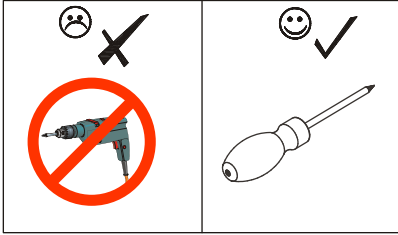
1



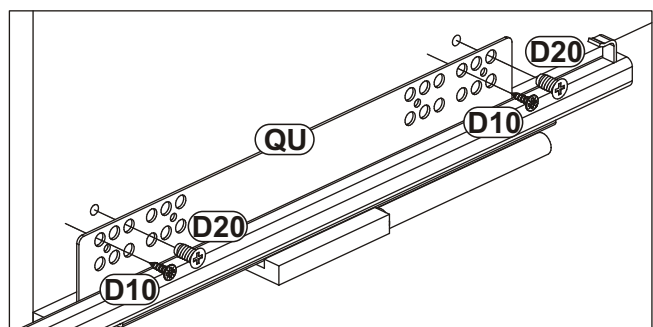
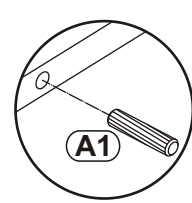
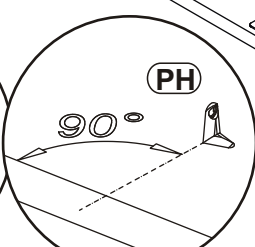
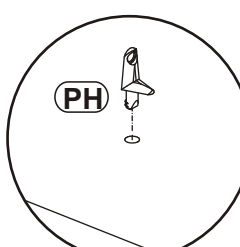
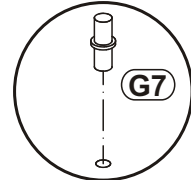
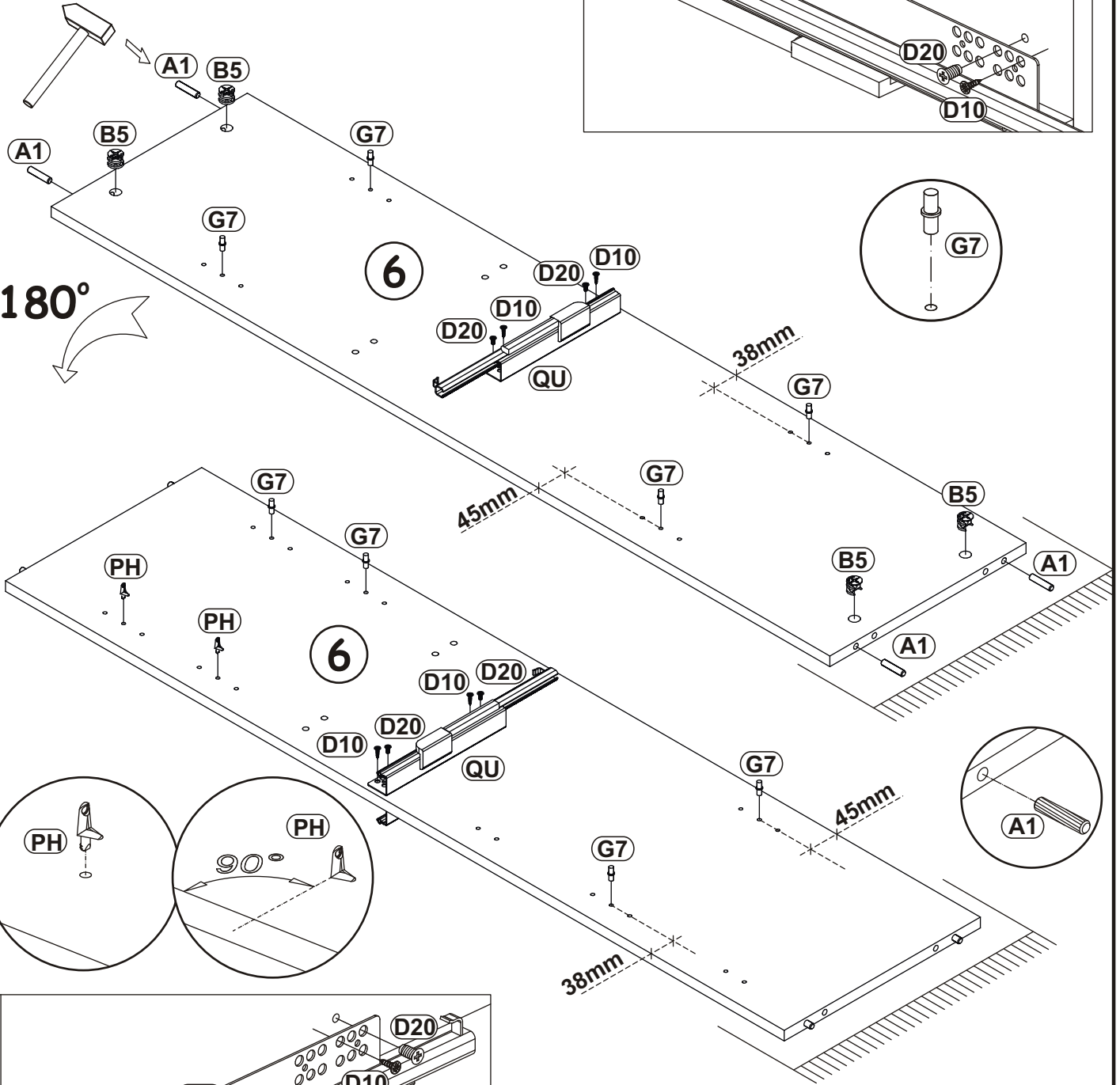
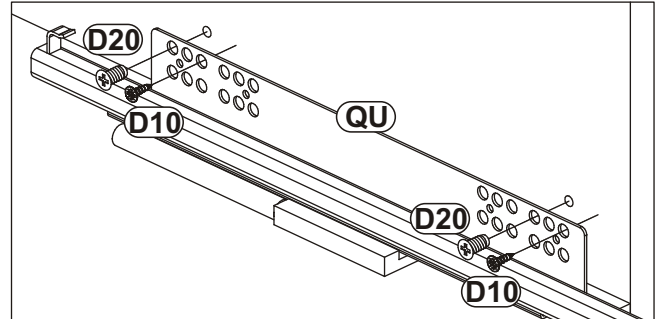
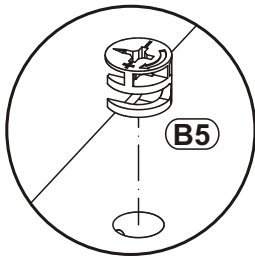
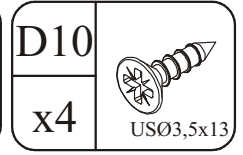
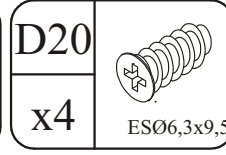
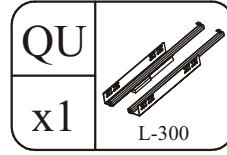
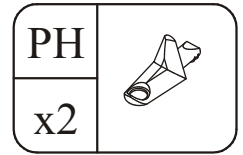
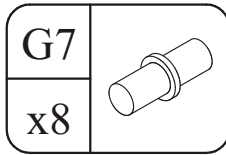
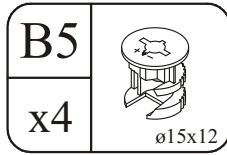
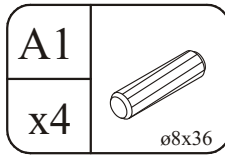
A1 x4	 ø8x36	B5 x4	 ø15x12	B4 x2		G7 x4	
H1 x2		EK6 x4	 EKØ6,3x13	QU x1	 L-300	D20 x2	 ESØ6,3x9,5
E13 x4		E0 x4	 H=11	EK8 x8	 EKØ6,3x24		



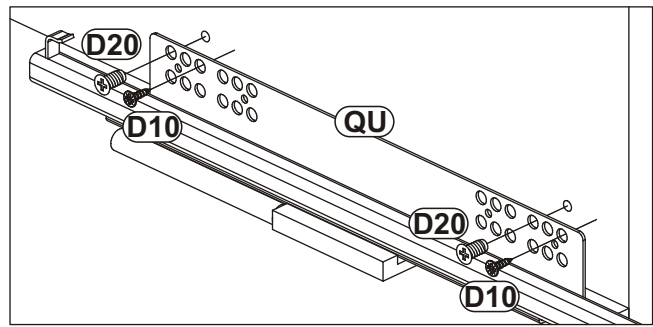
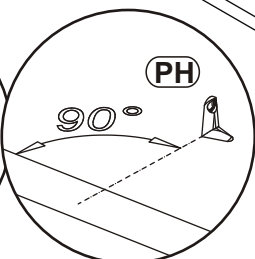
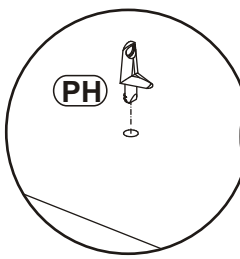
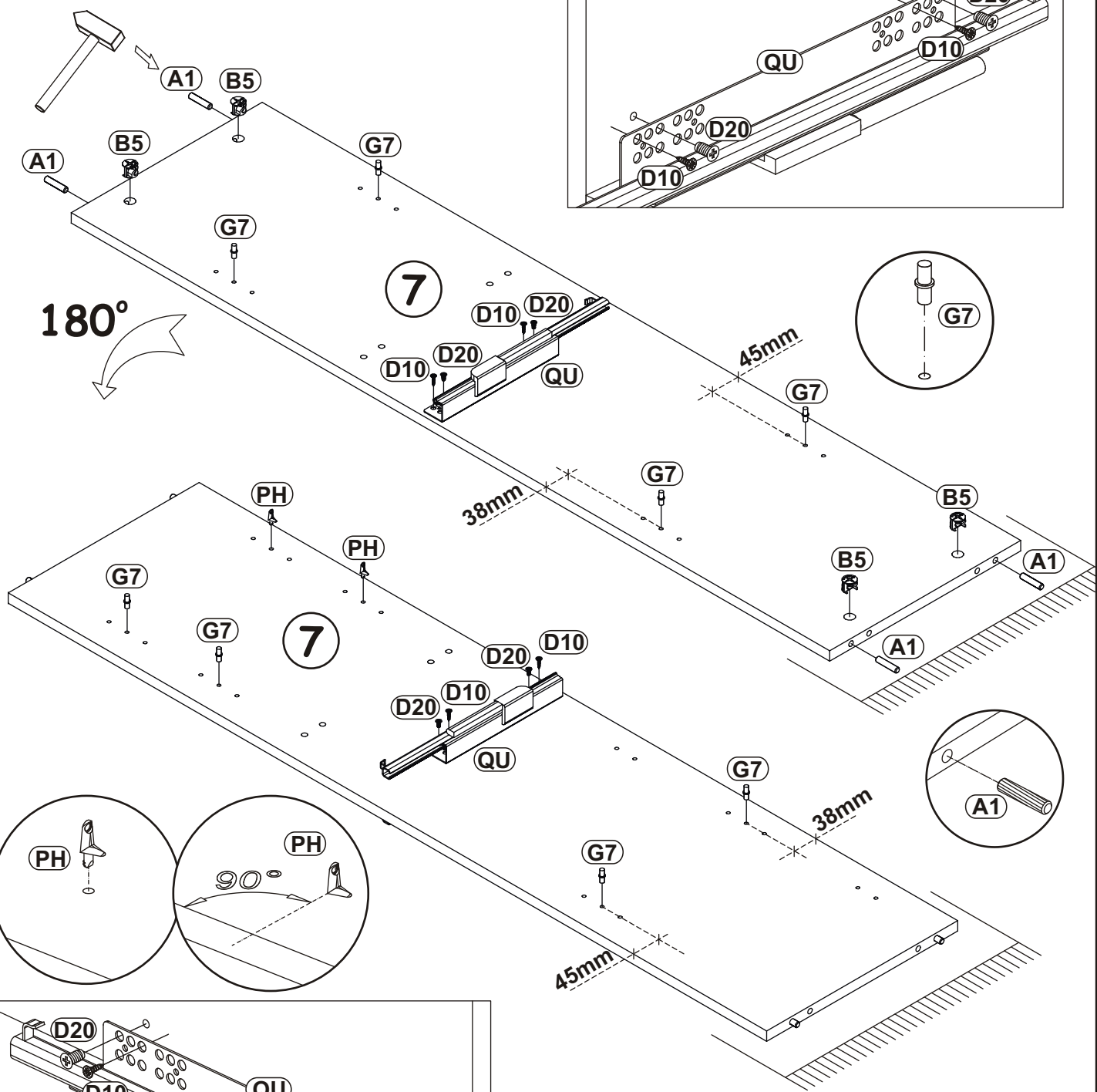
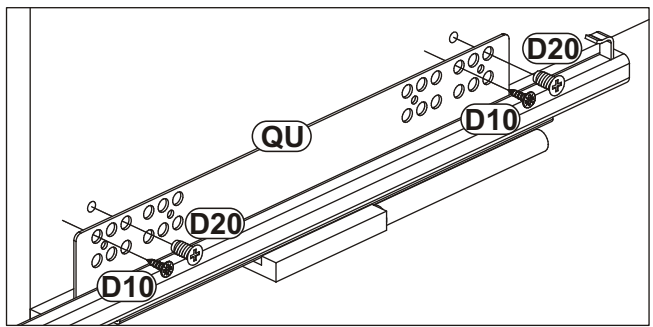
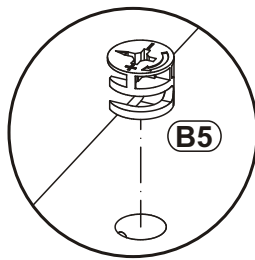
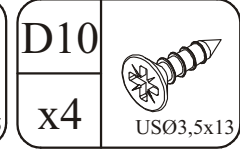
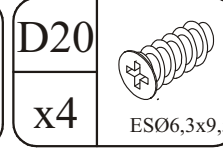
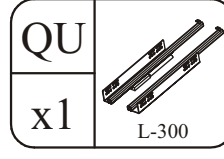
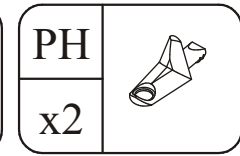
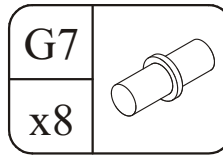
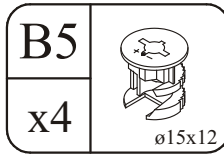
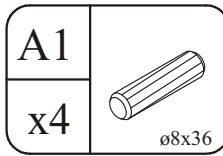
2



3

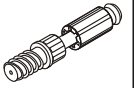


4

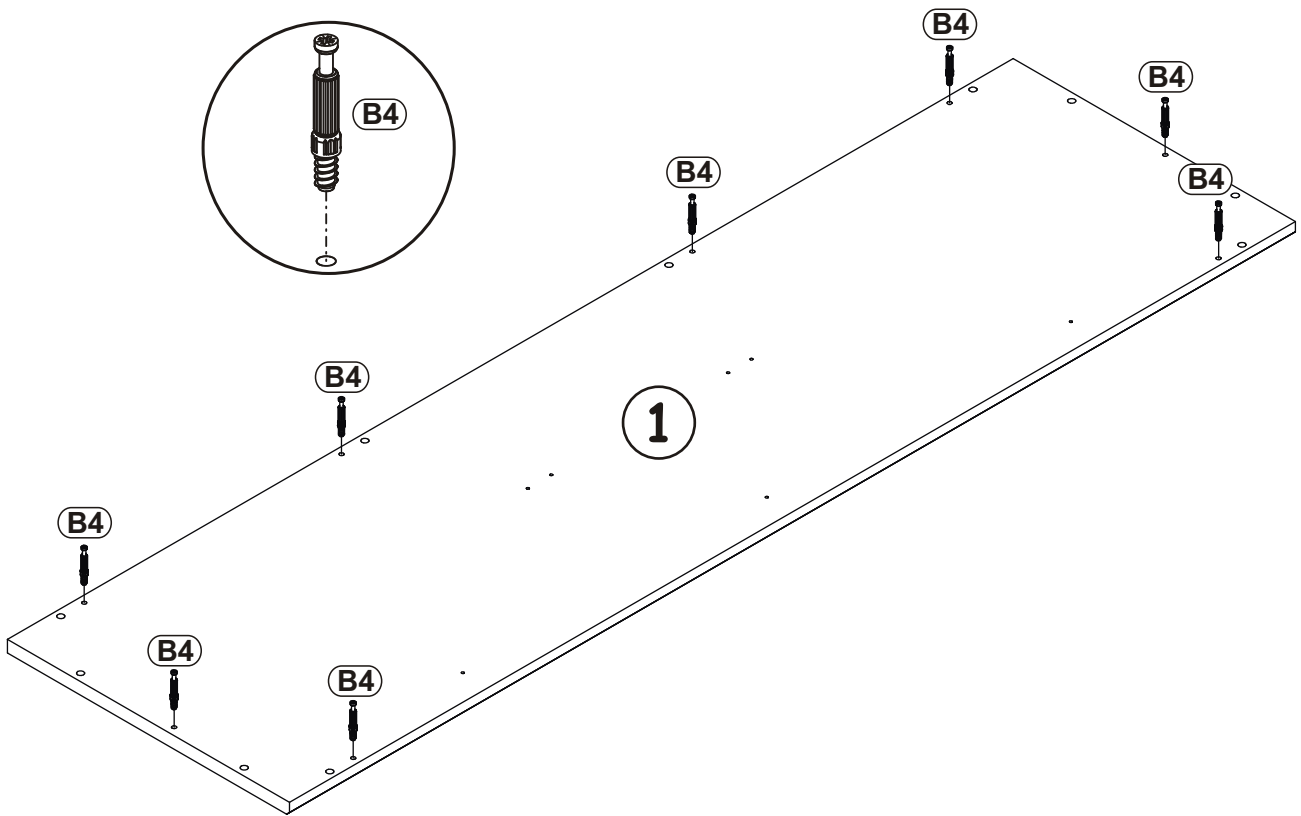


B4

x8



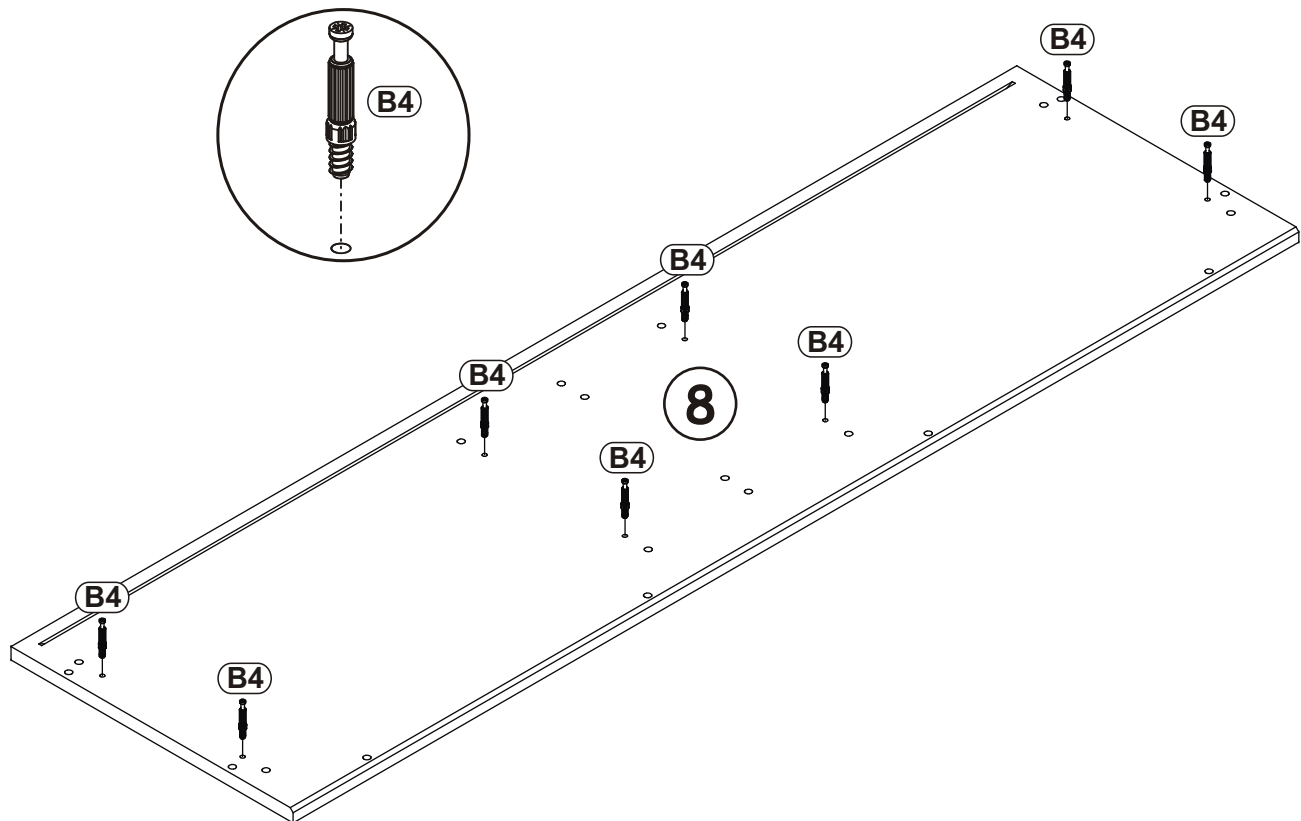
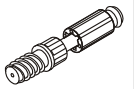
5



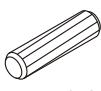
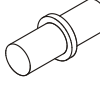

6

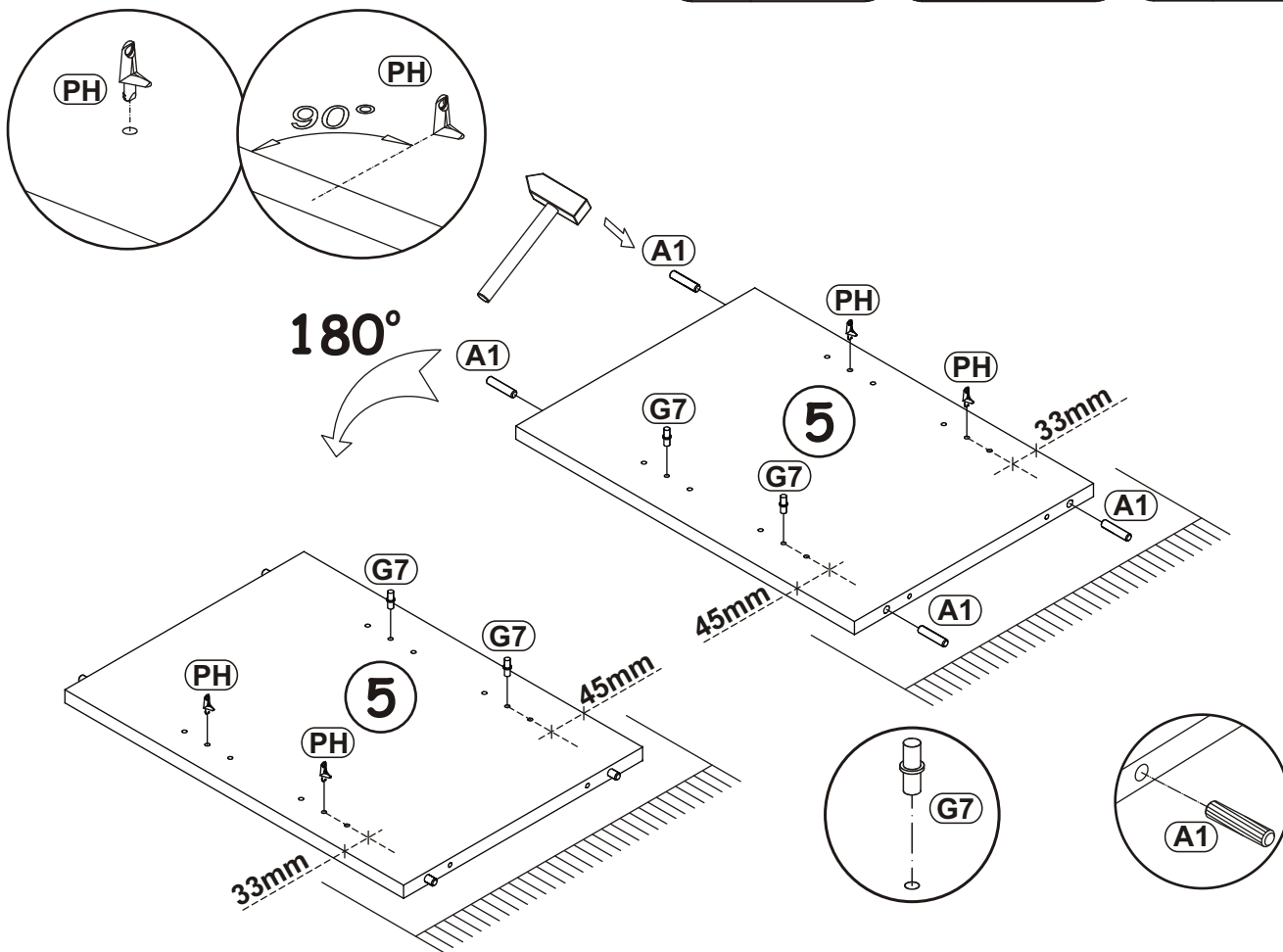
B4

x8

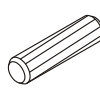
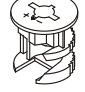


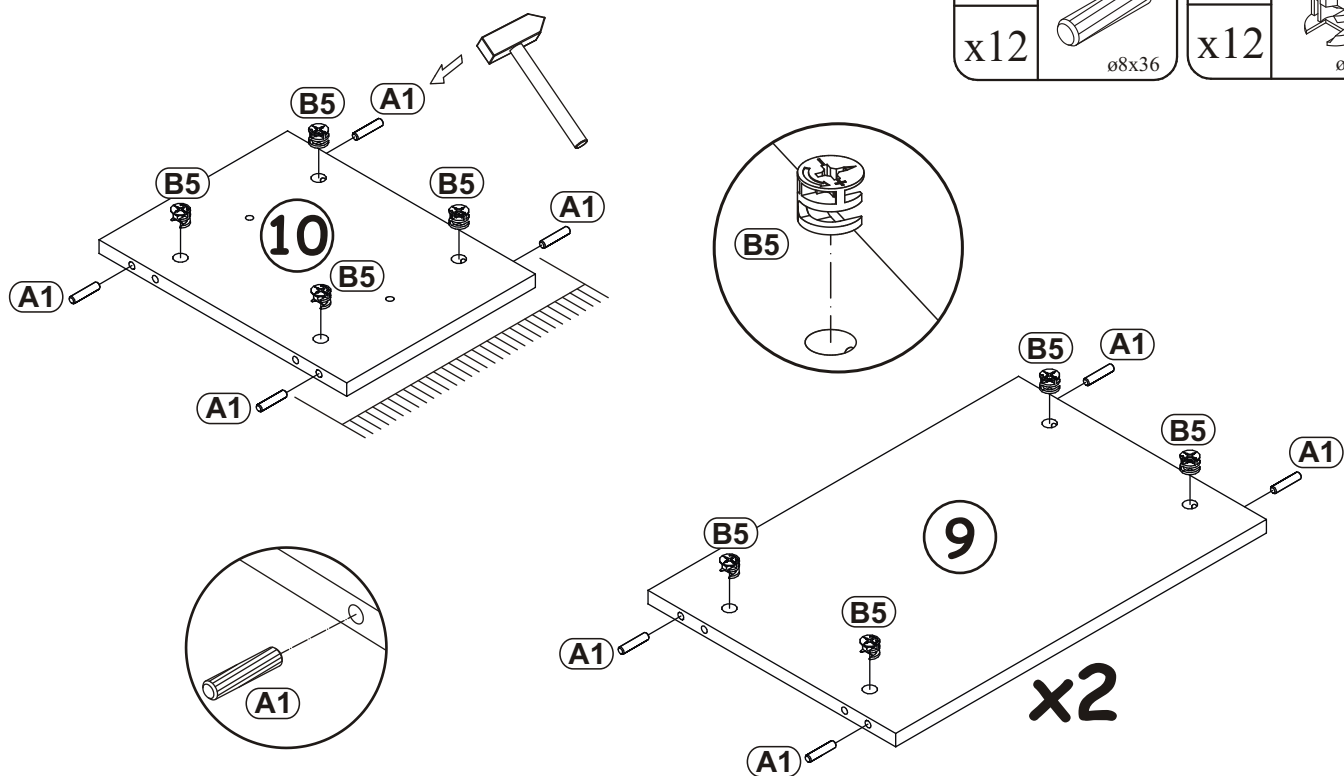
7

A1		G7		PH	
x4	ø8x36	x4		x4	

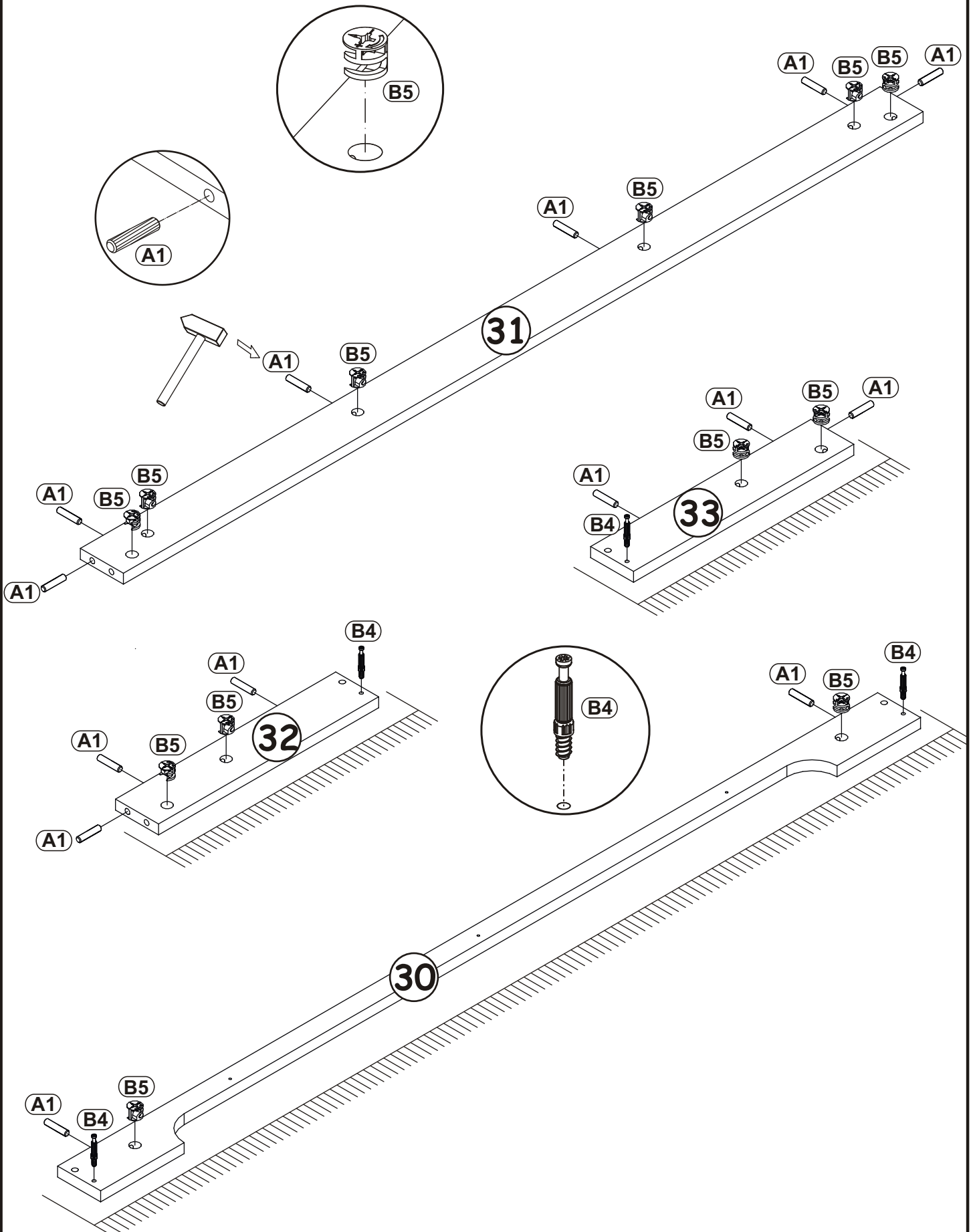
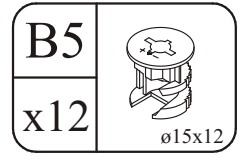
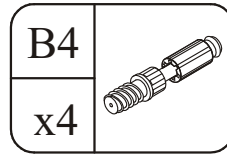
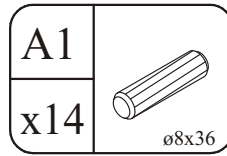


8

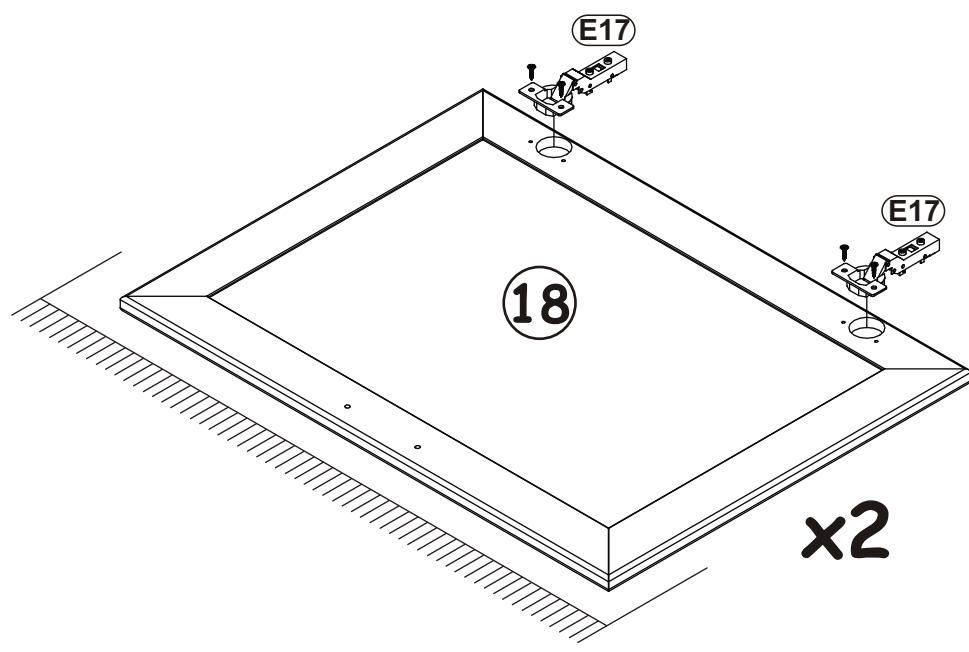
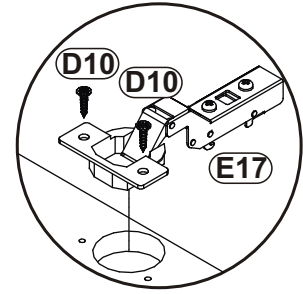
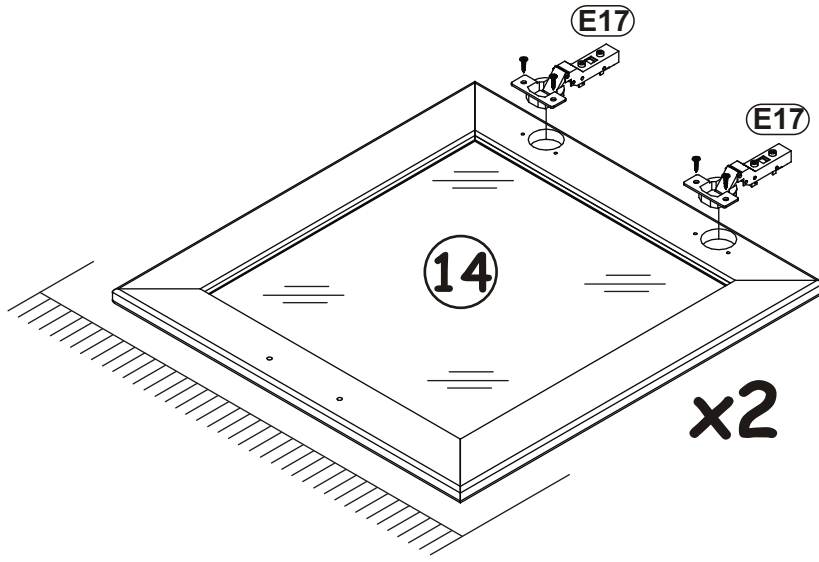
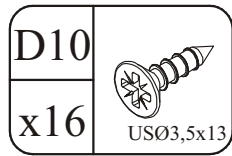
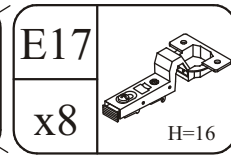
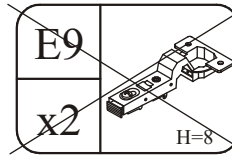
A1		B5	
x12	ø8x36	x12	ø15x12



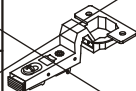
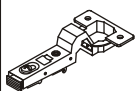
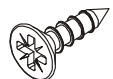
9

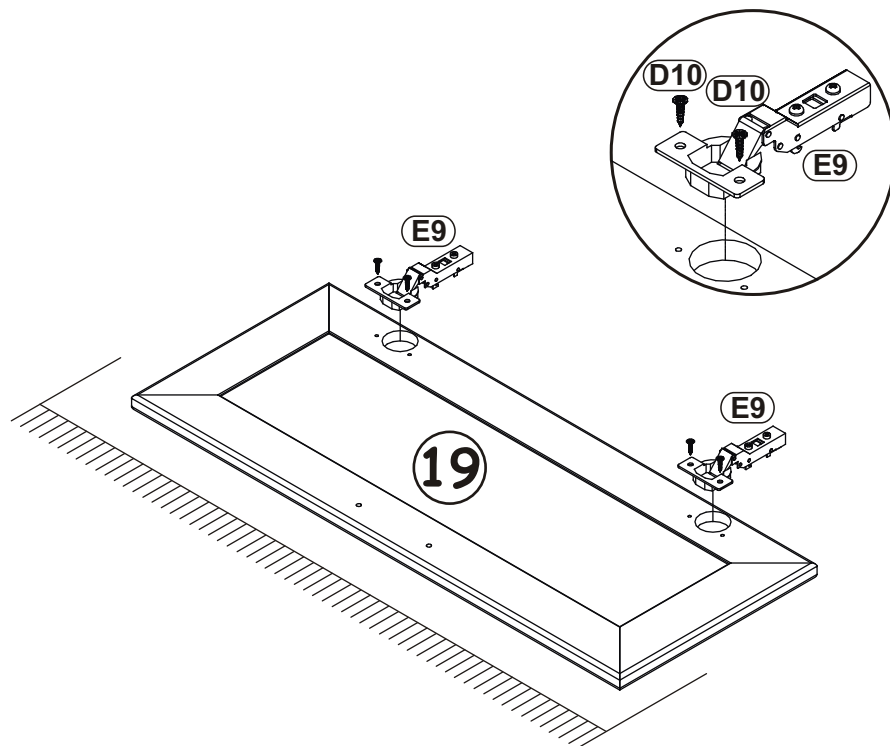


10

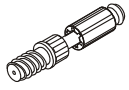


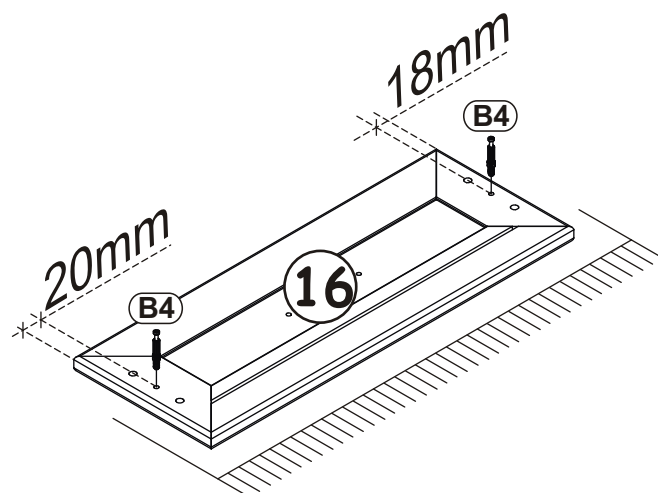
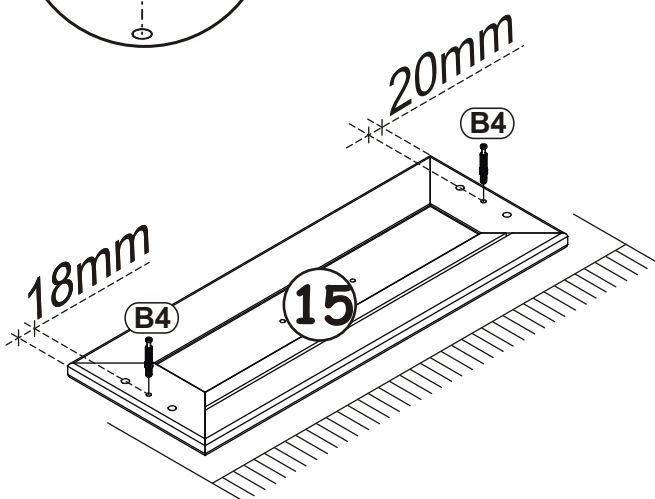
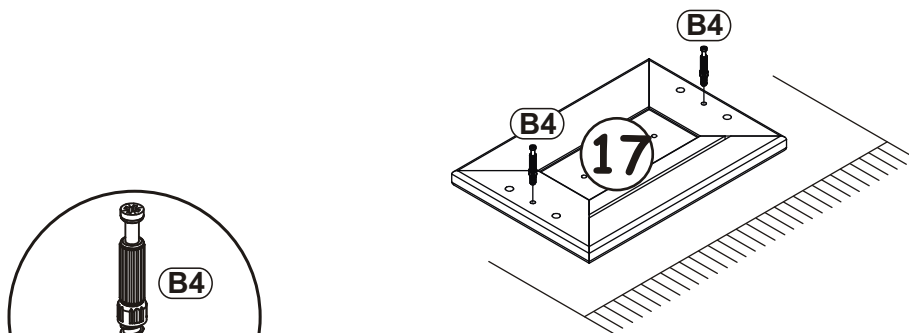
11

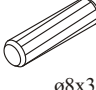
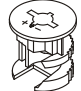
E17		E9		D10	
x8	H=16	x2	H=8	x4	USØ3,5x13



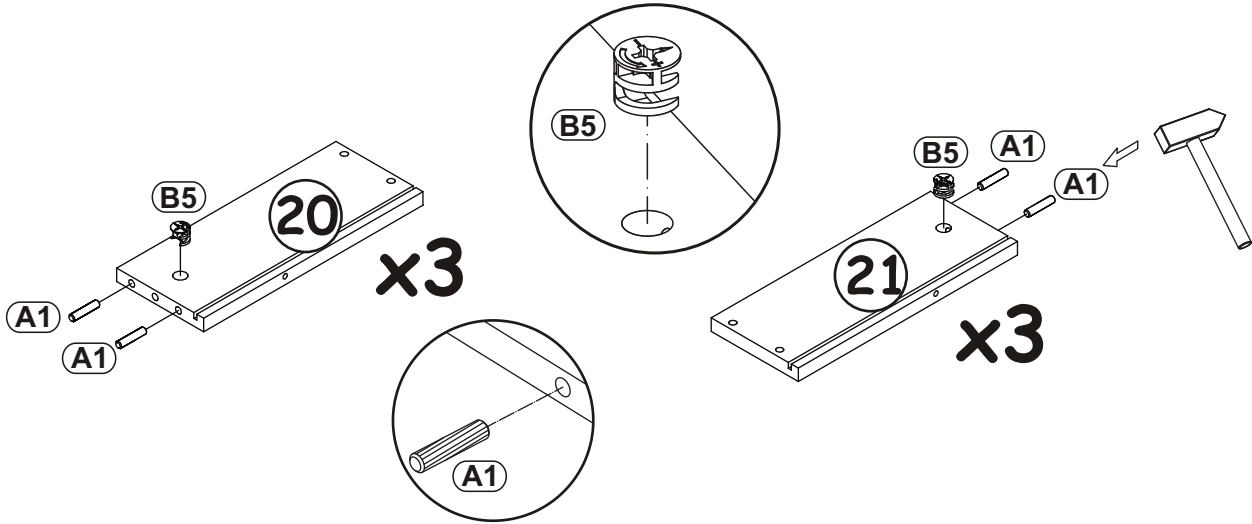
12

B4	
x6	

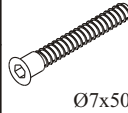



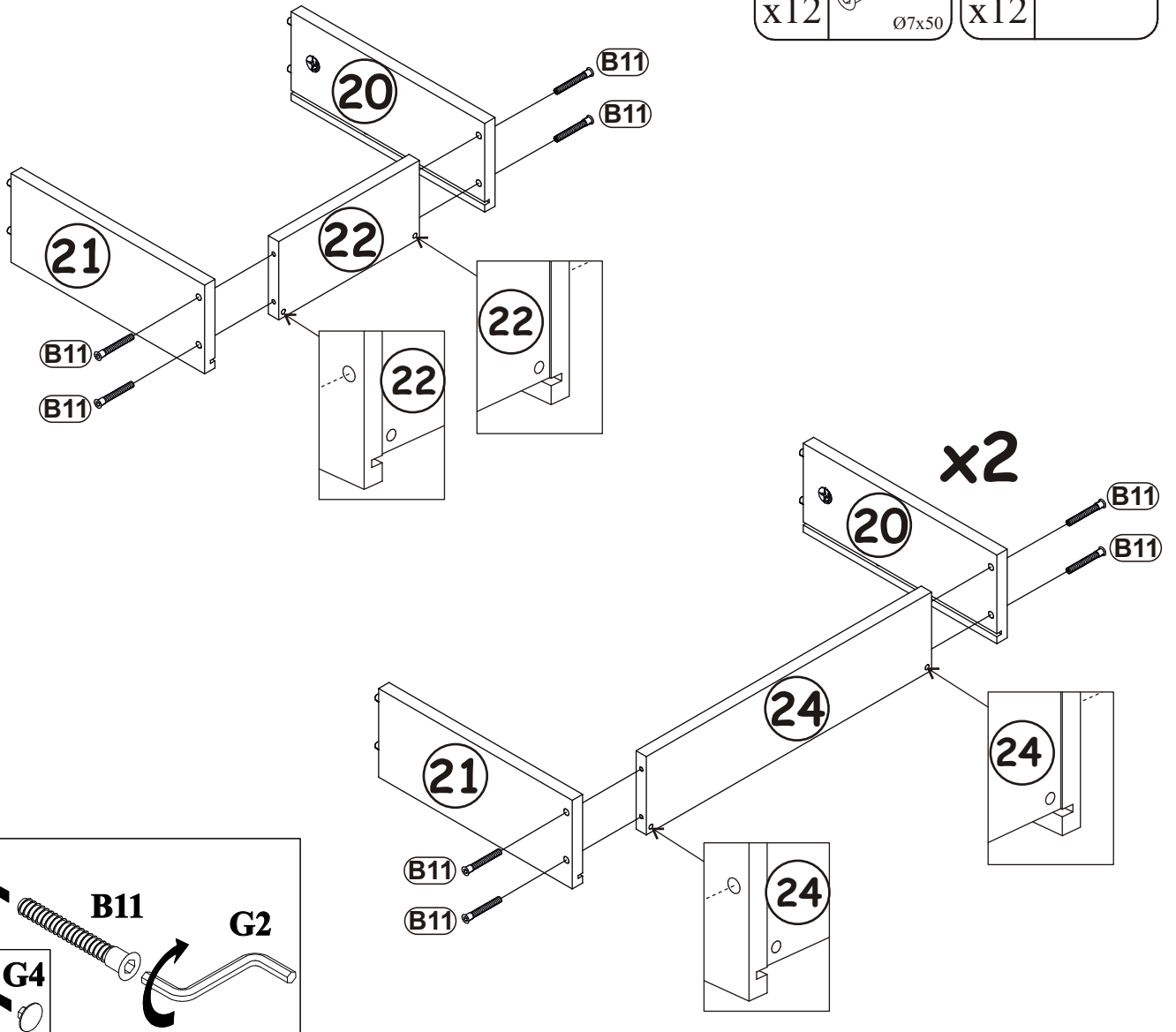
A1	 ø8x36	B5	 ø15x12
x12		x6	


13



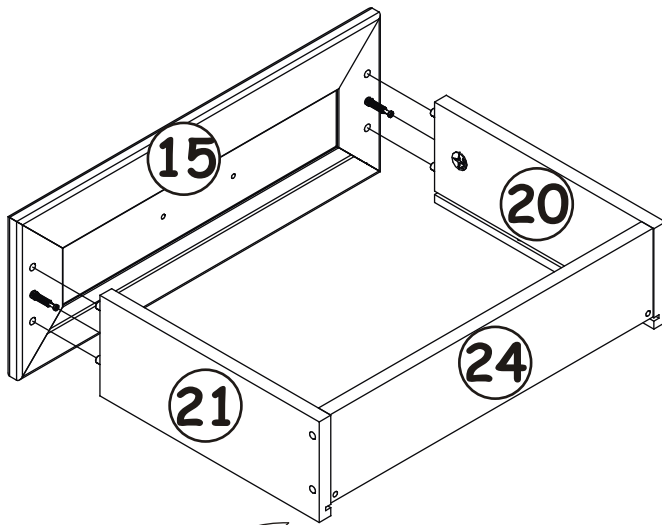
14

B11	 Ø7x50	G4	
x12		x12	

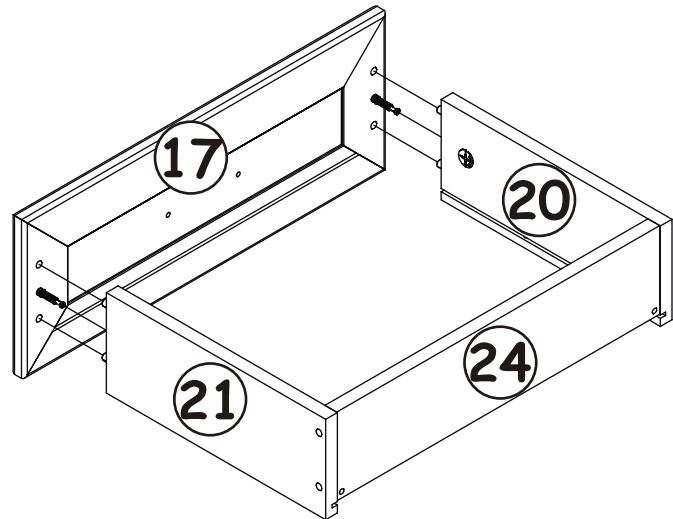
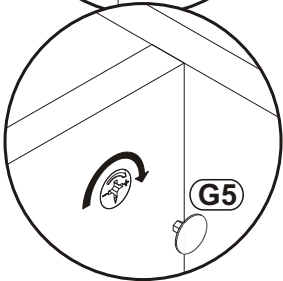
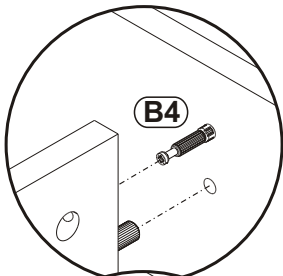


G5	
x6	

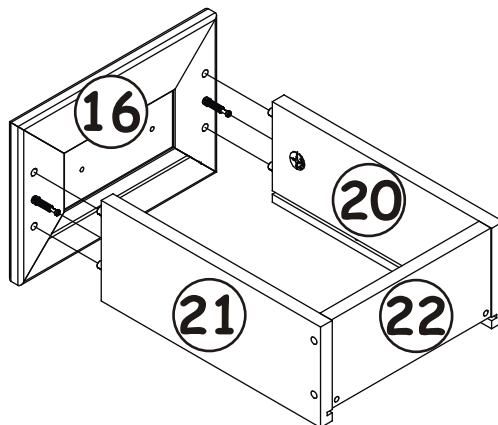
15



180°

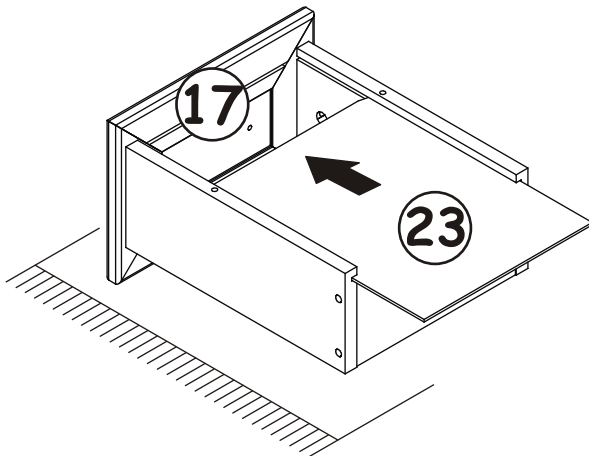
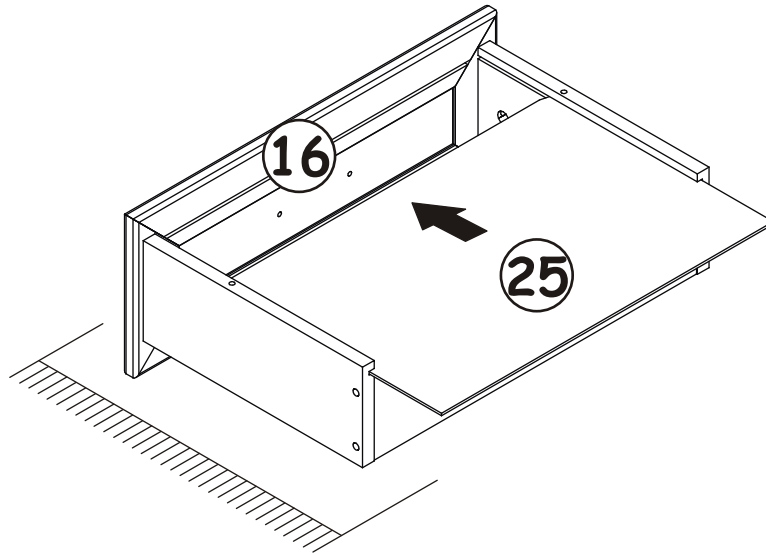
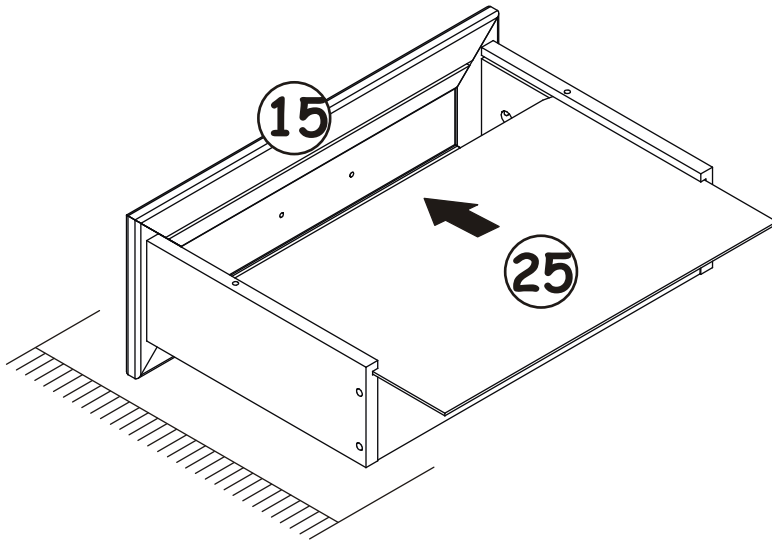


180°



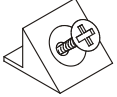

180°

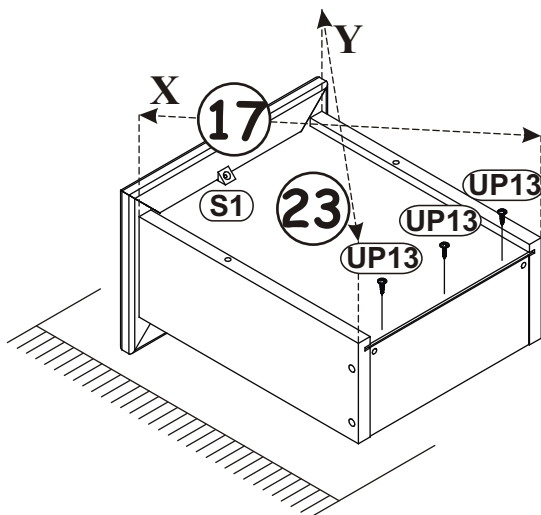
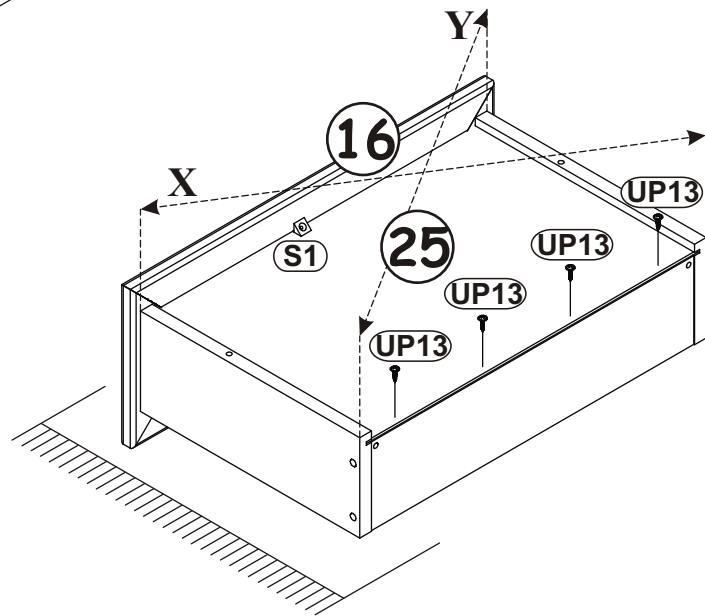
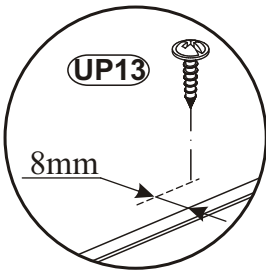
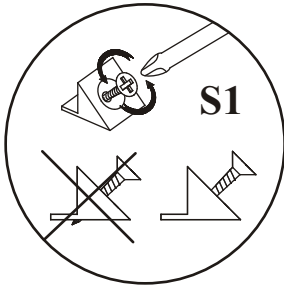
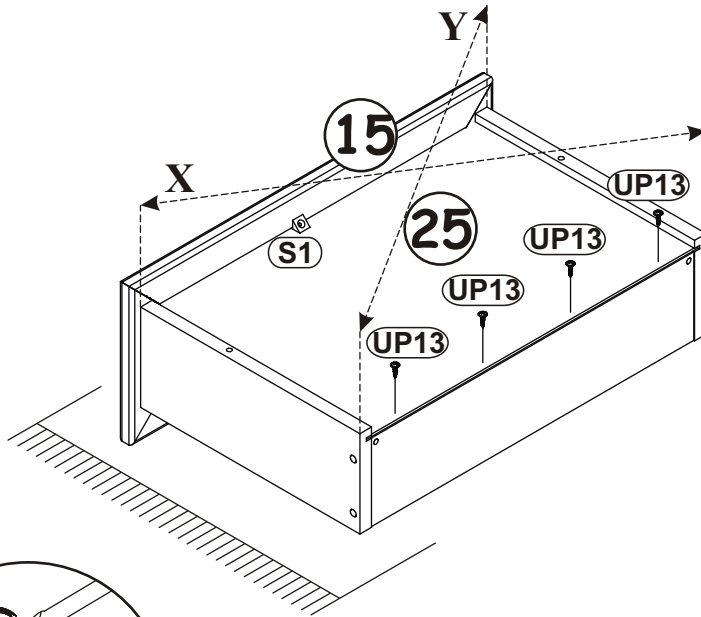
16



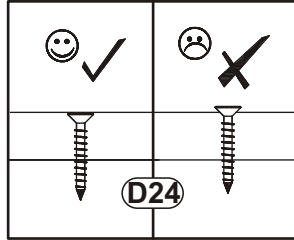
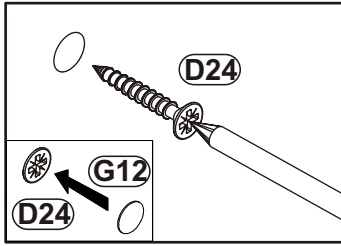
17


$X=Y$ 90°

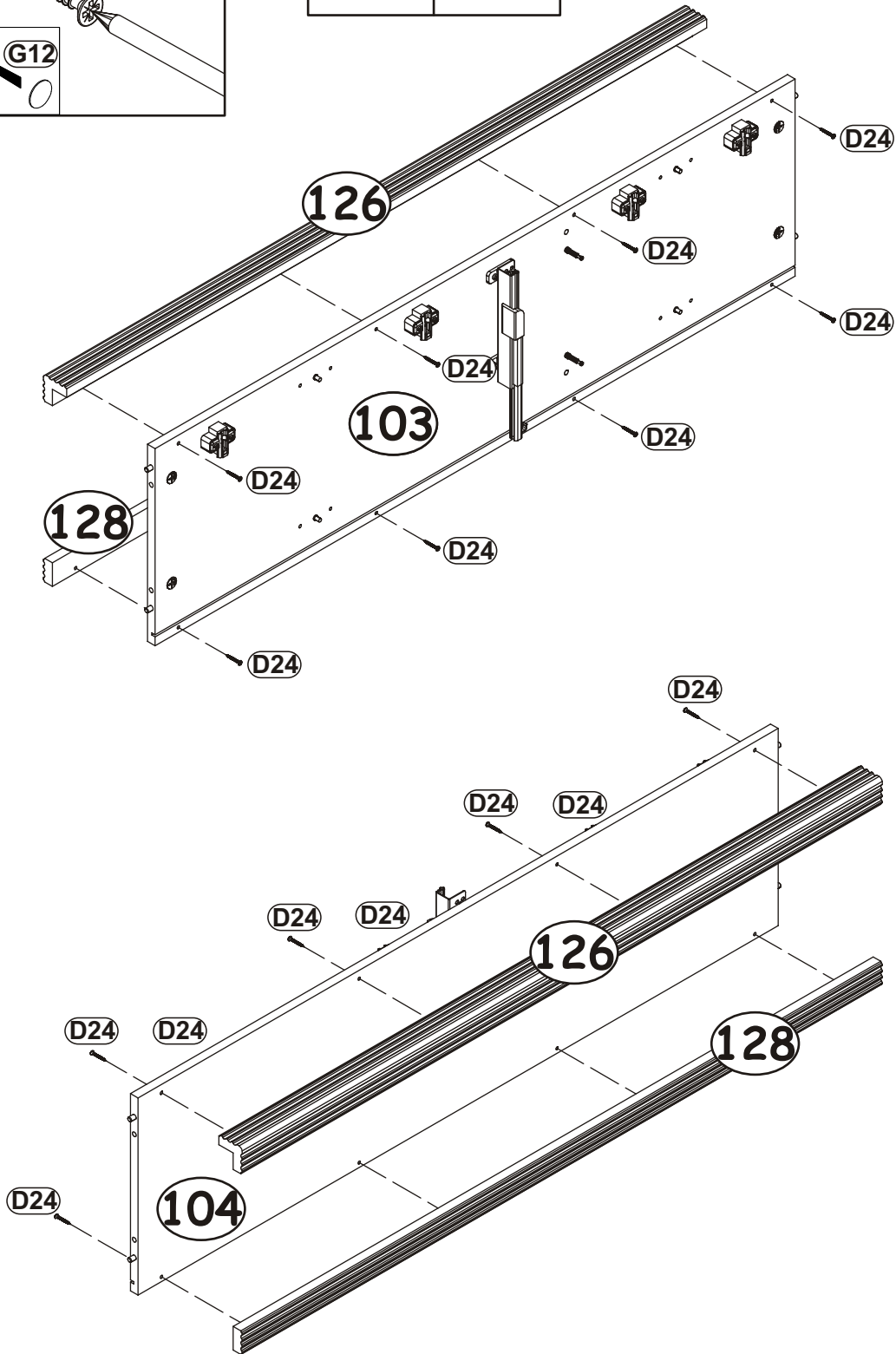
S1		UP13	
x3		x11	UPØ3x16




18

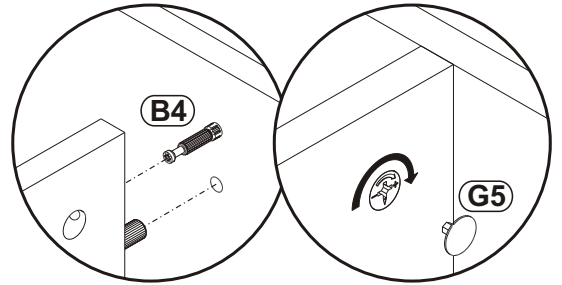
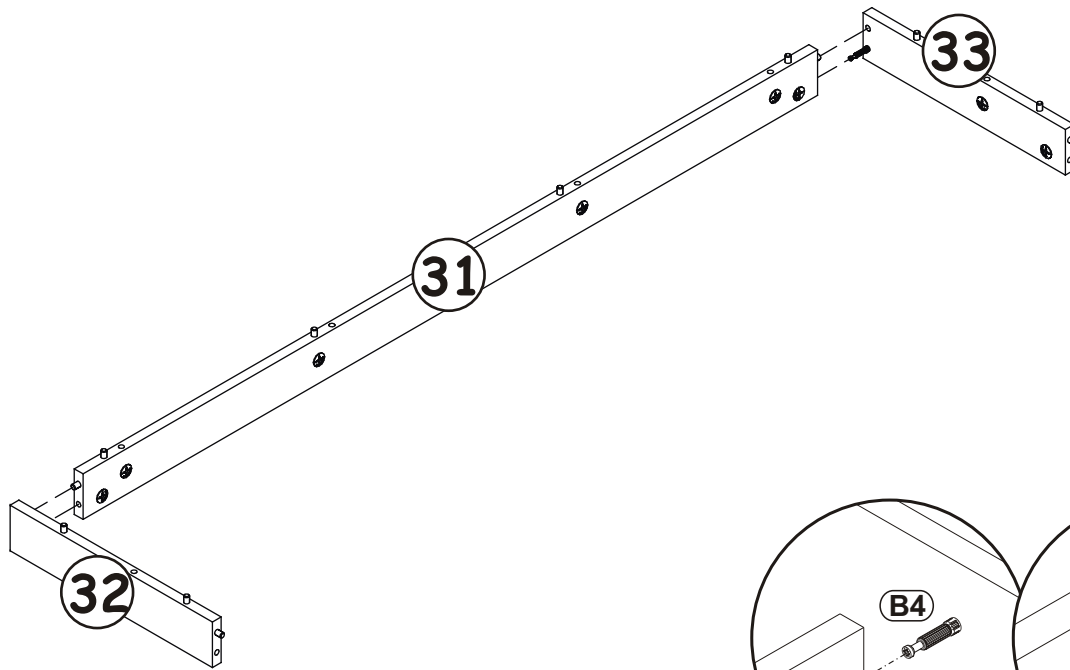


G12		D24	
x16	Ø14	x16	USØ4x30




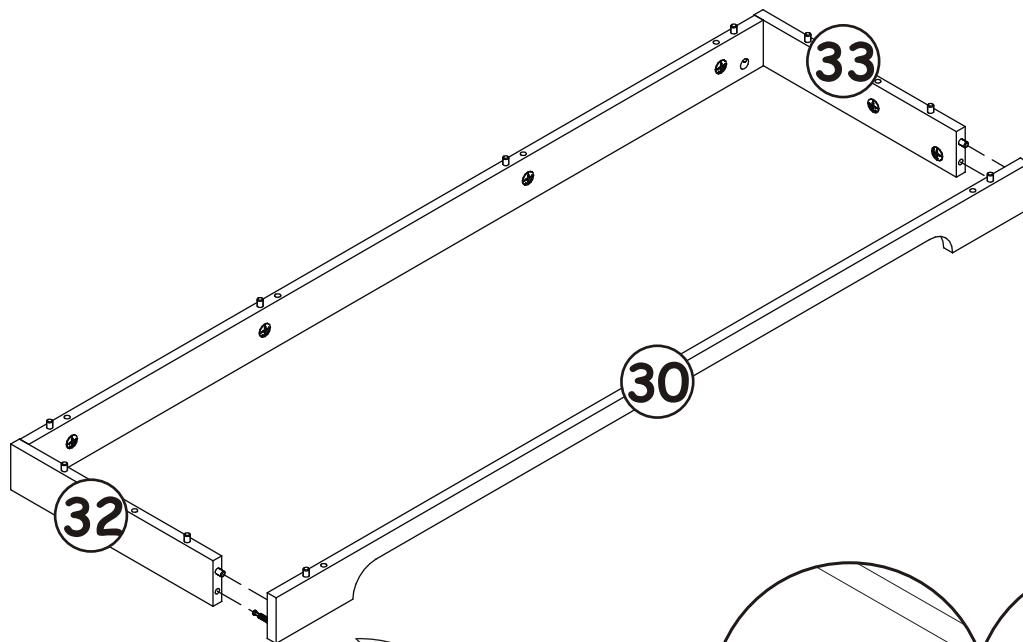
G5	
x2	

19

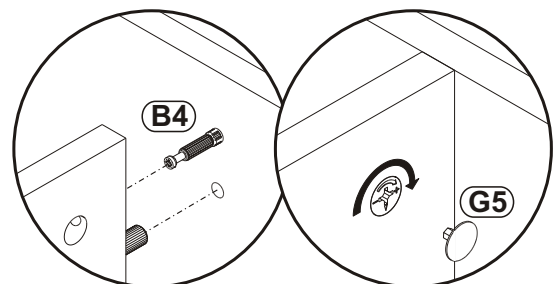


20

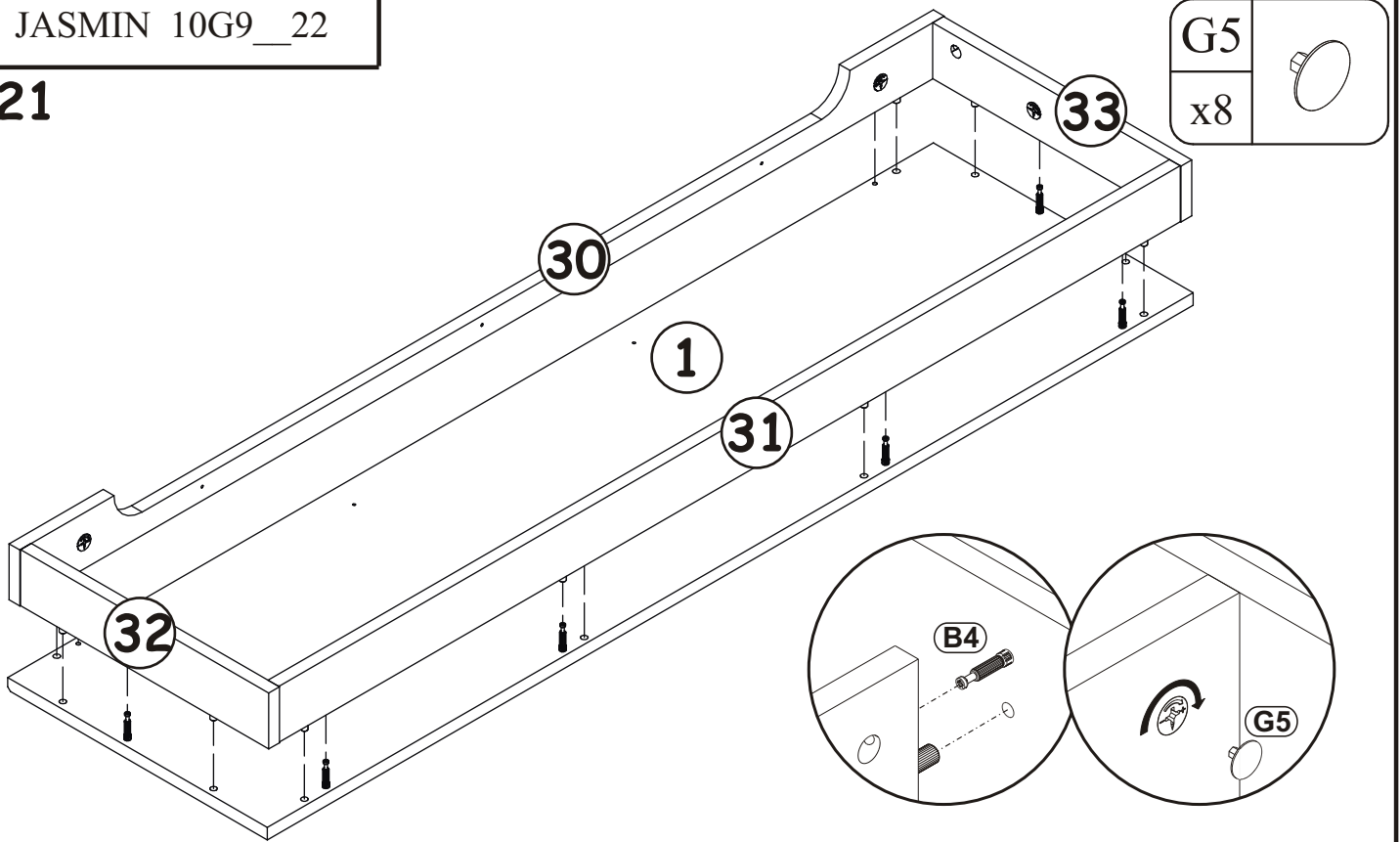
G5	
x2	



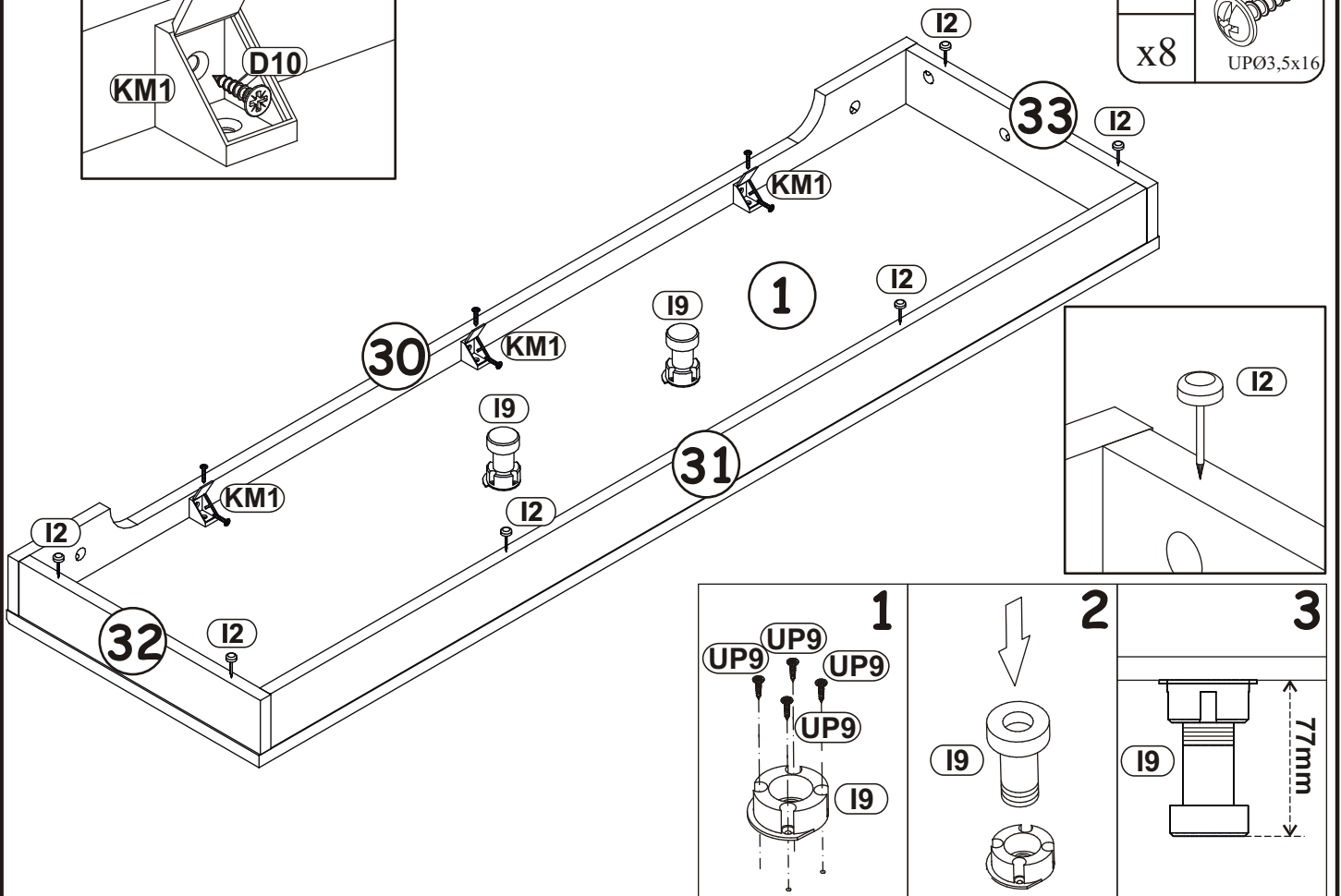
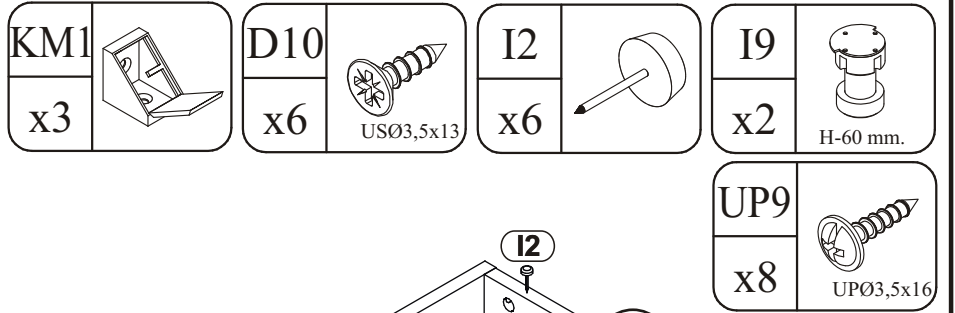
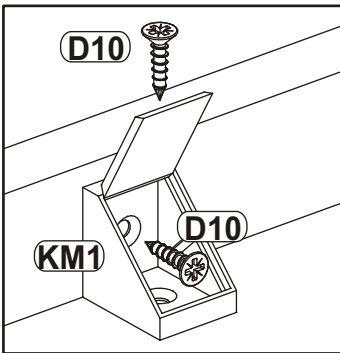
180°



21



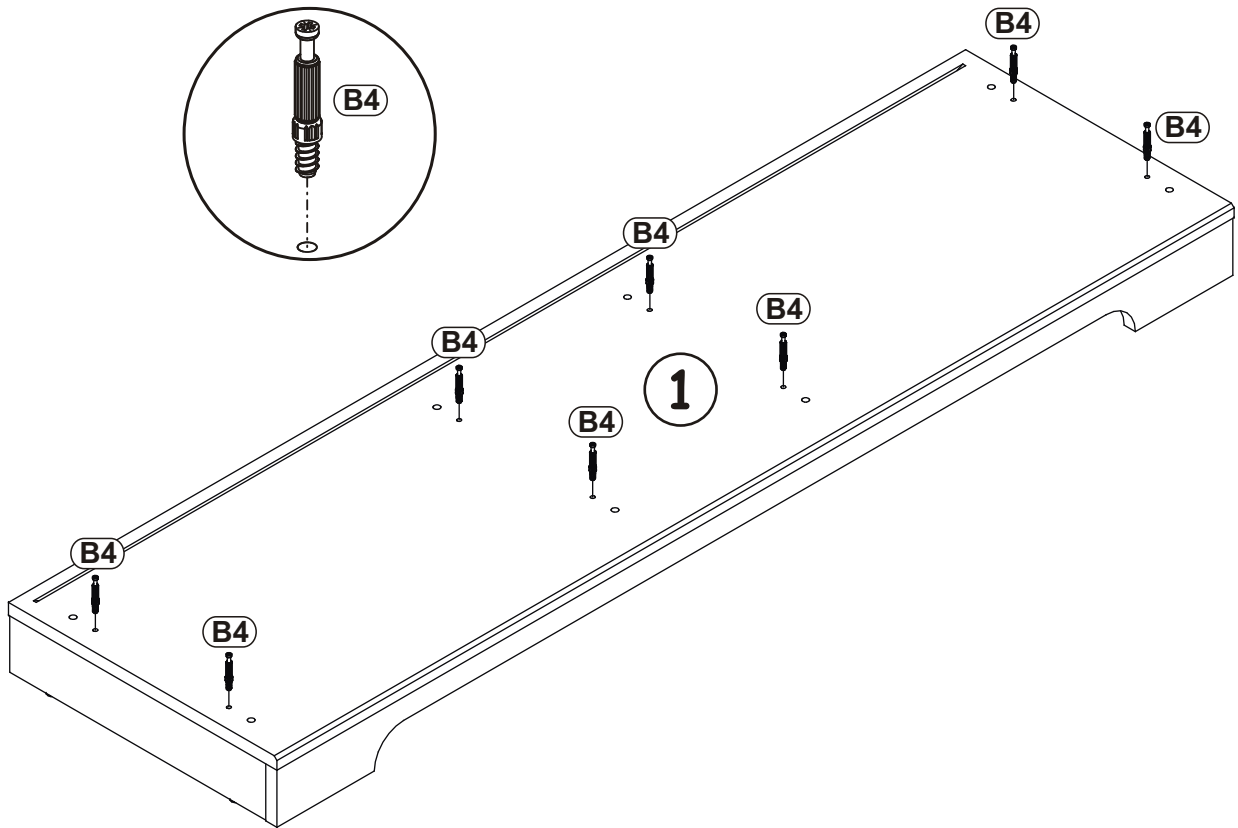
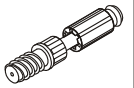
22



23

B4

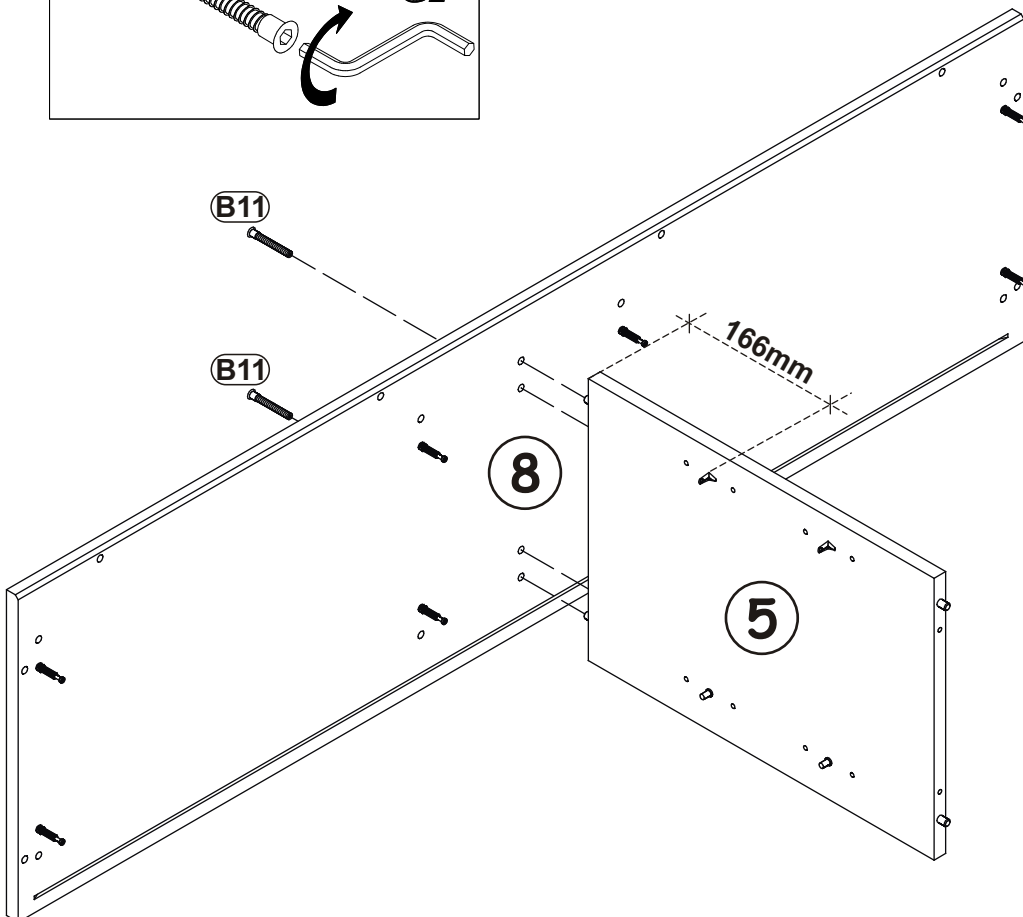
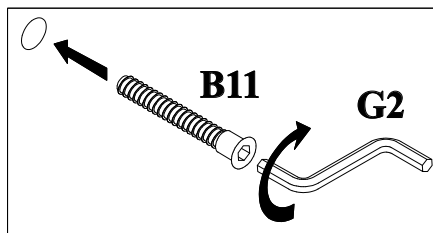
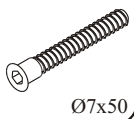
x8



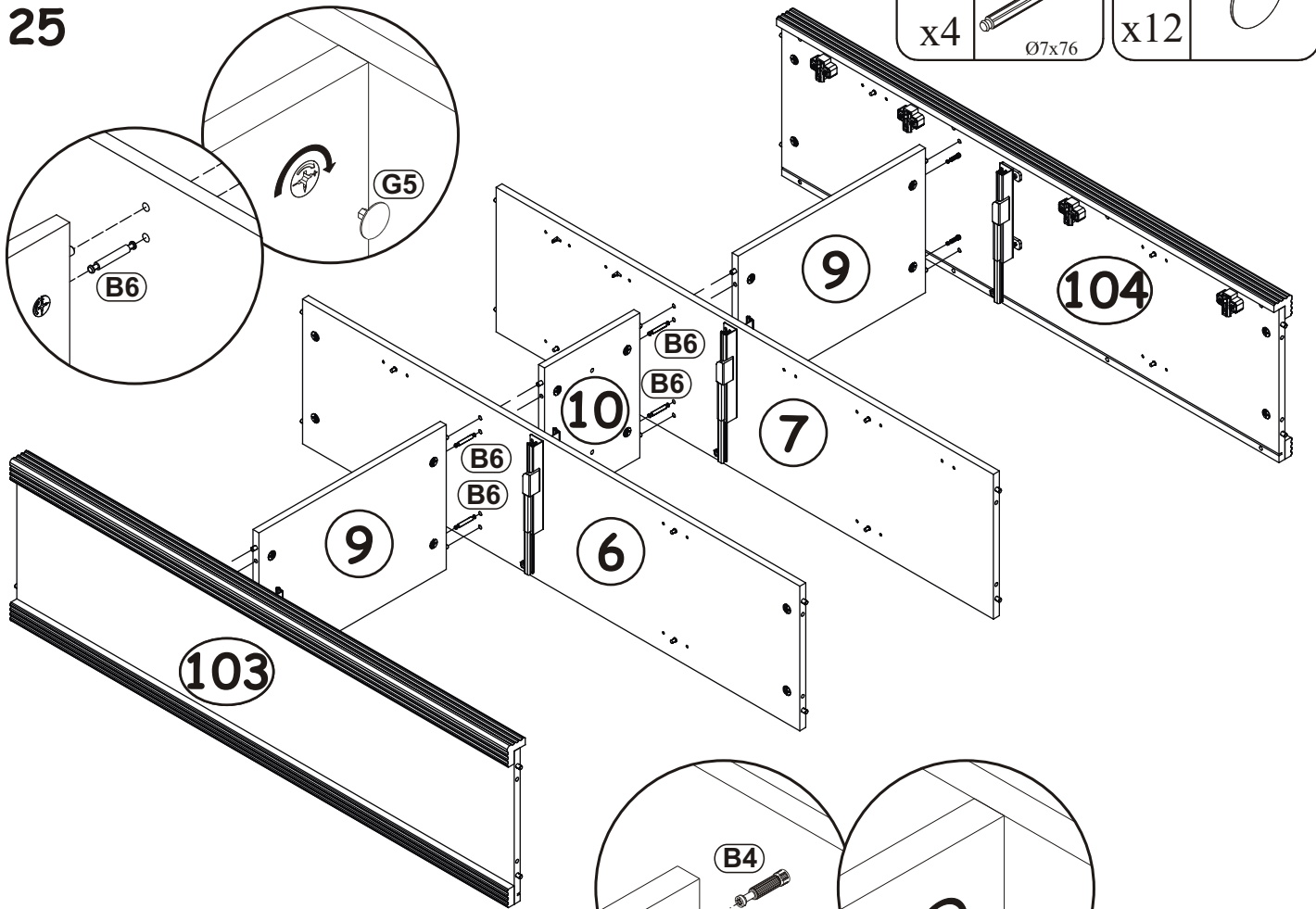
24

B11

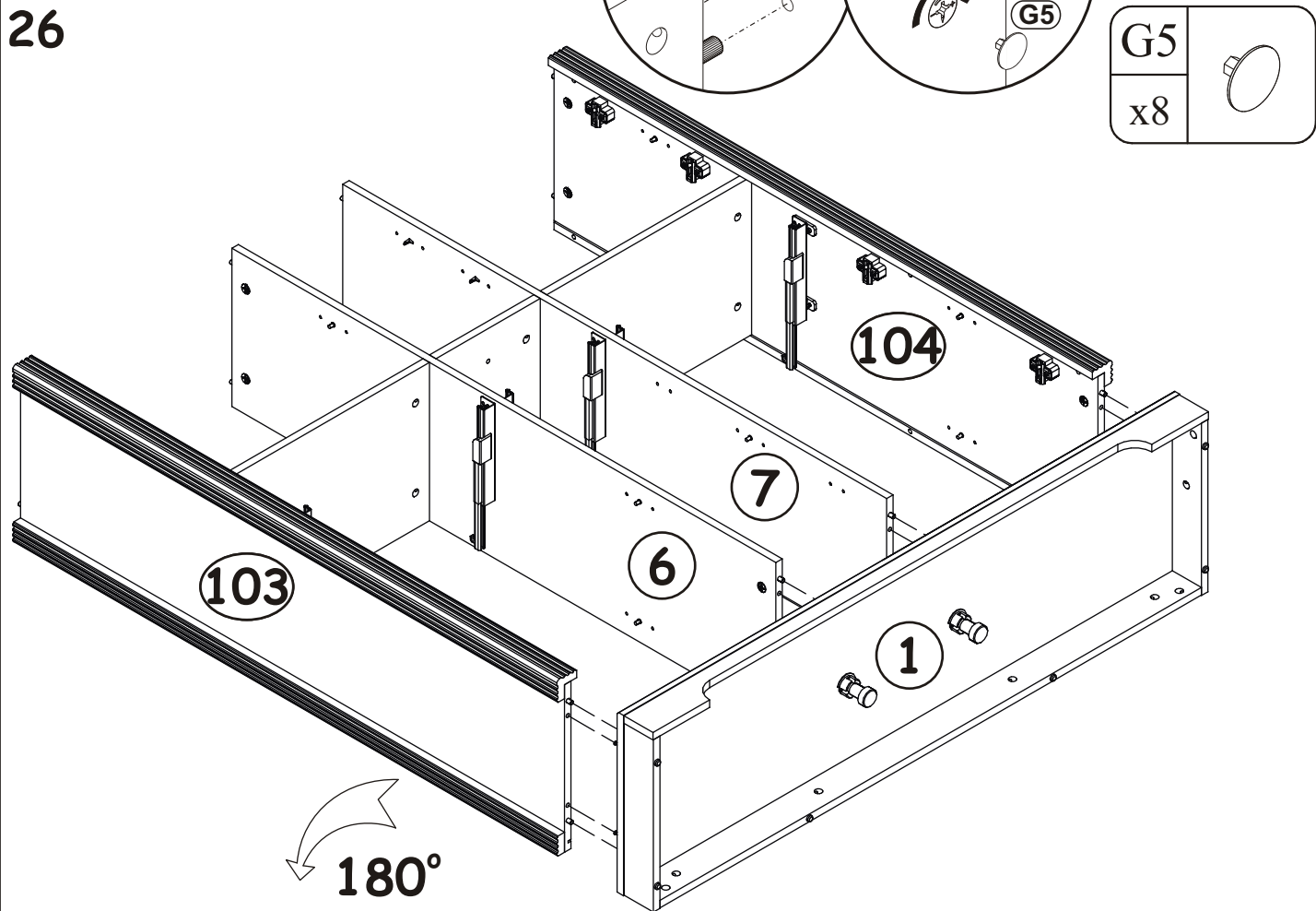
x2



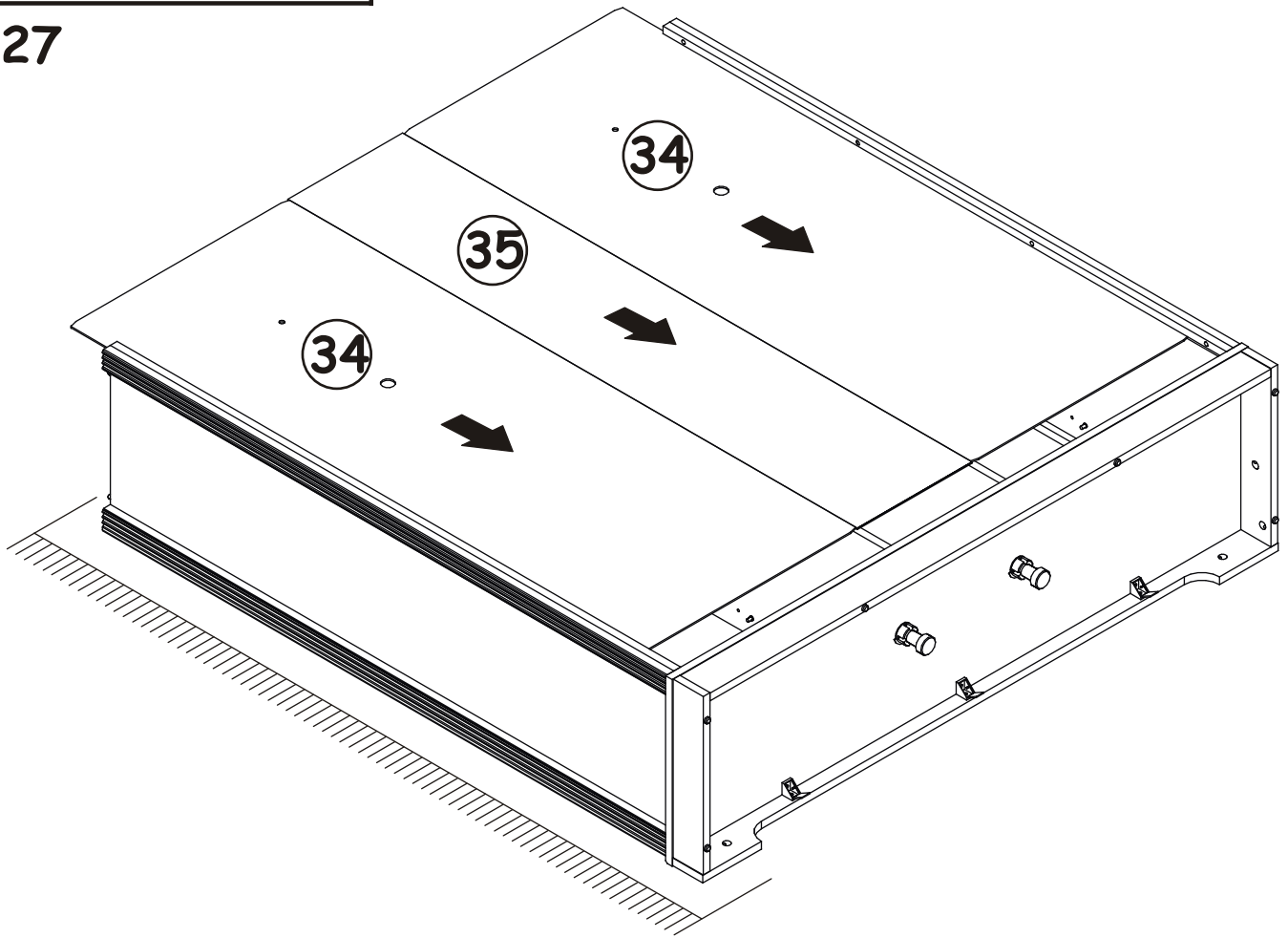
25



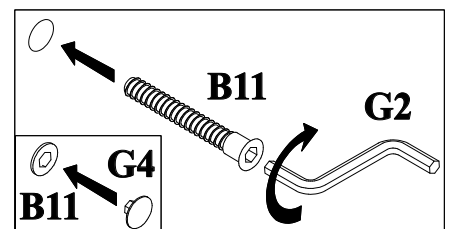
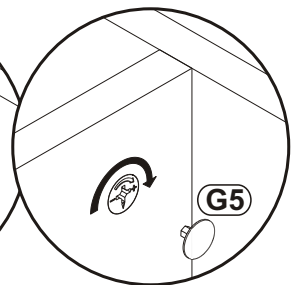
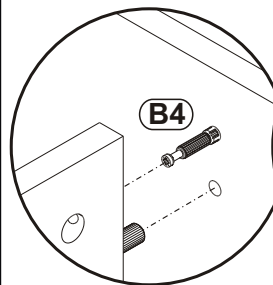
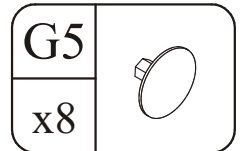
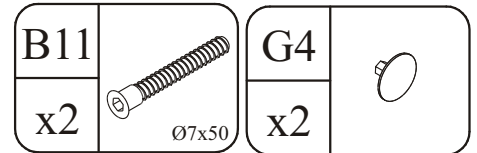
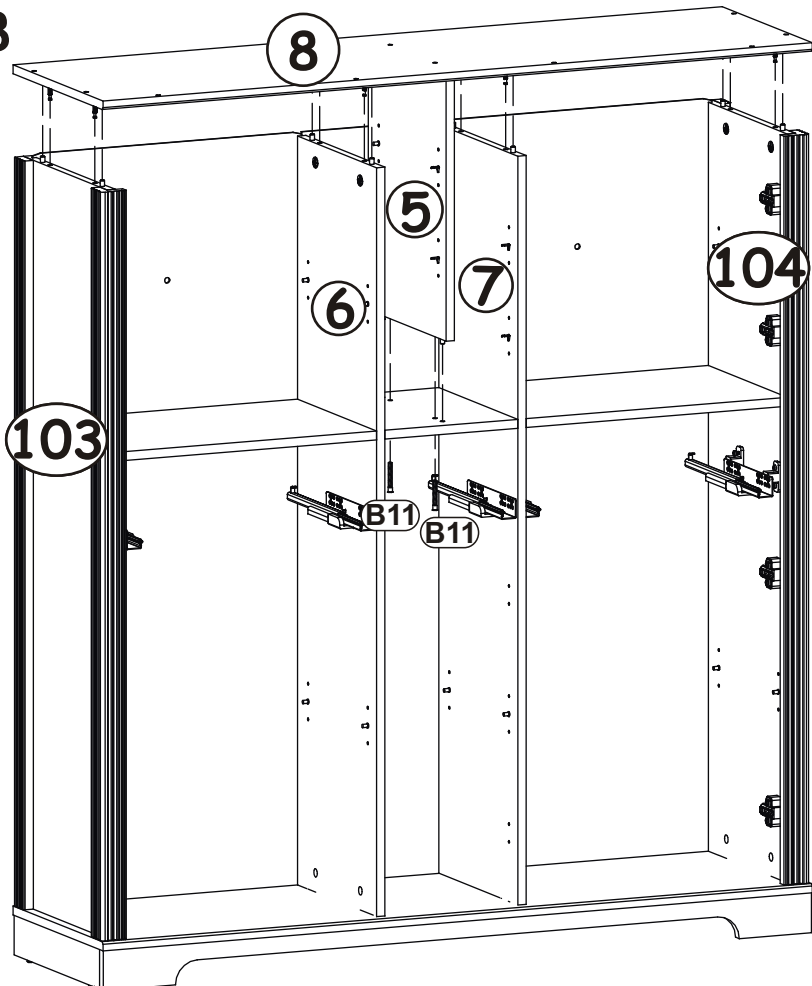
26



27

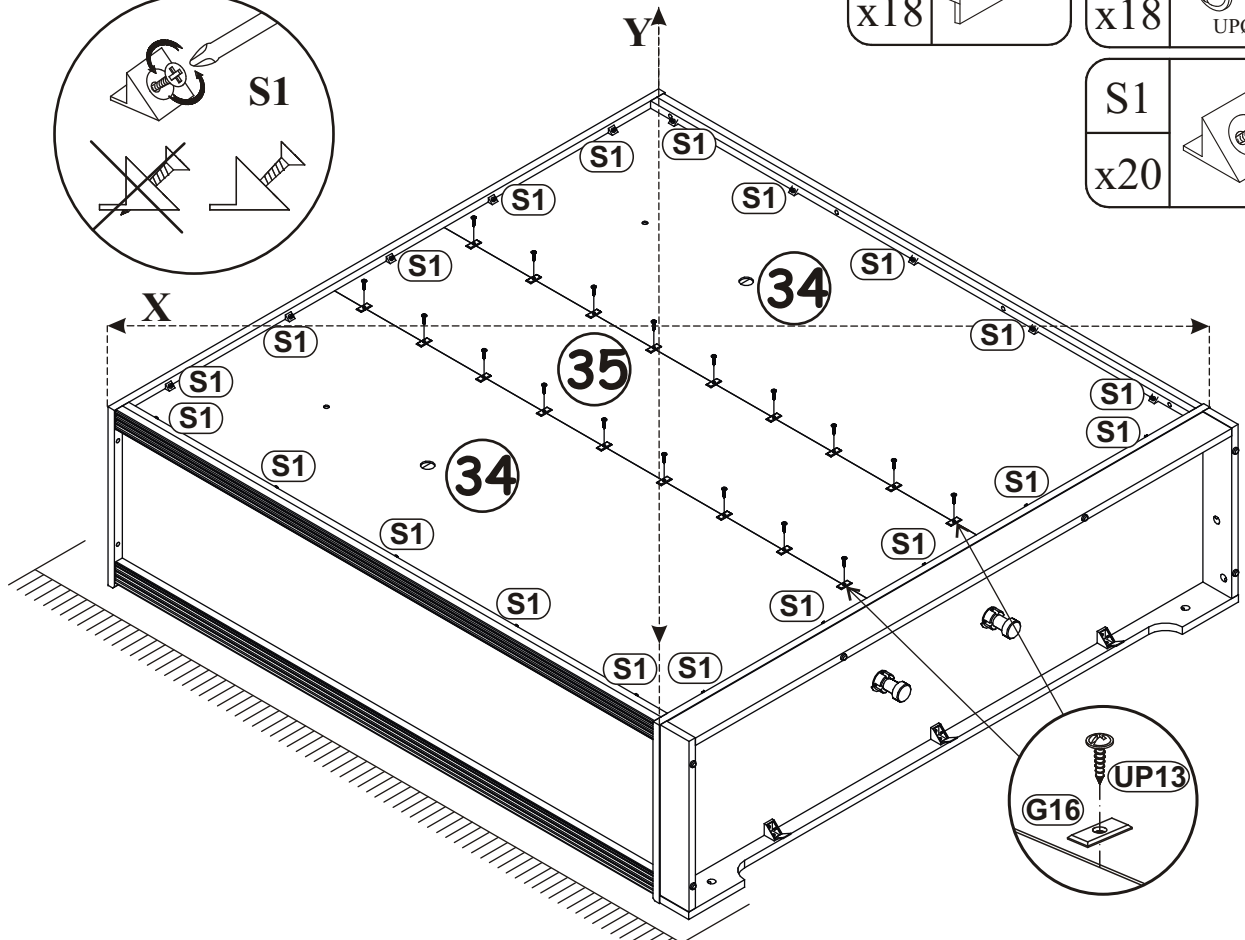
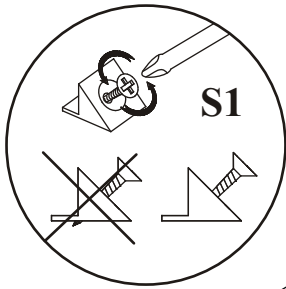


28



X=Y 90°

29

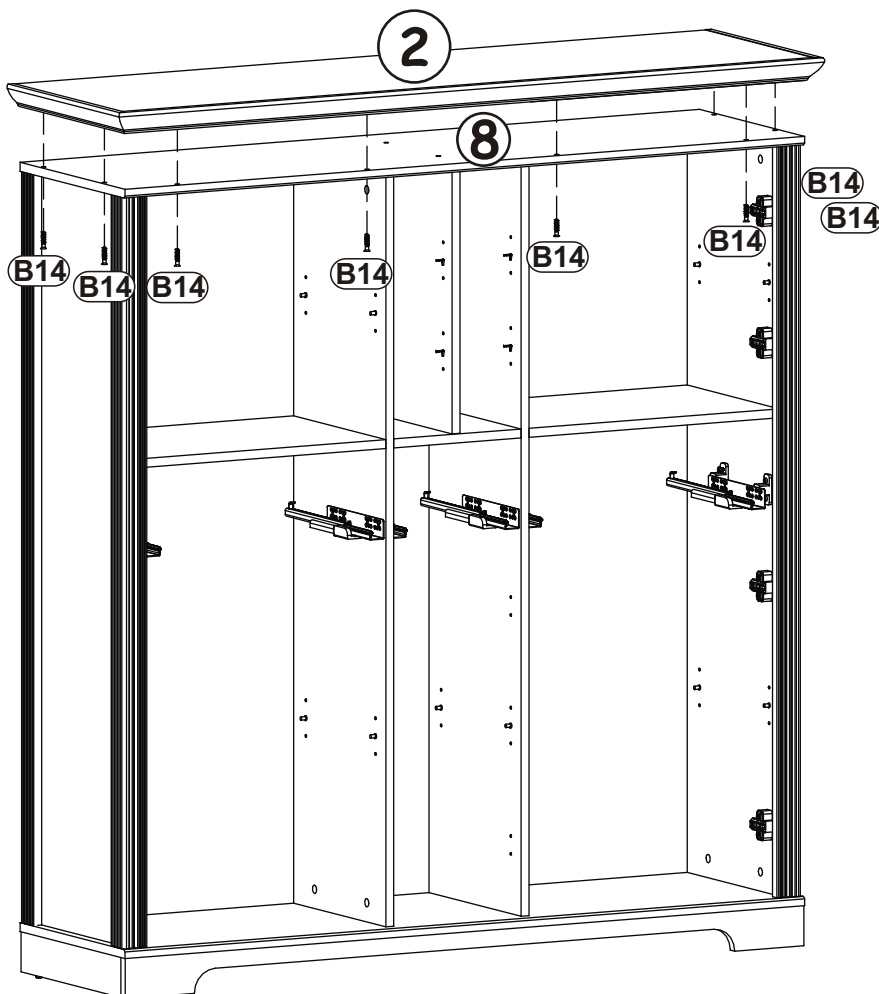


G16	
x18	

UP13	
x18	UPØ3x16

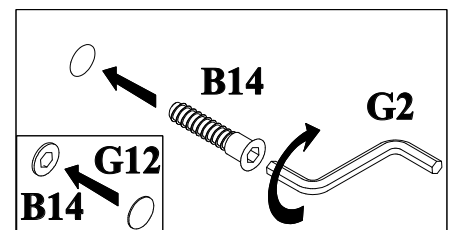
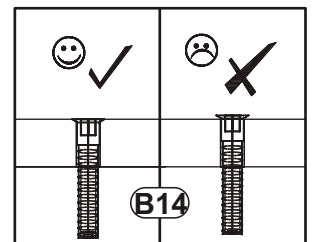
S1	
x20	

30

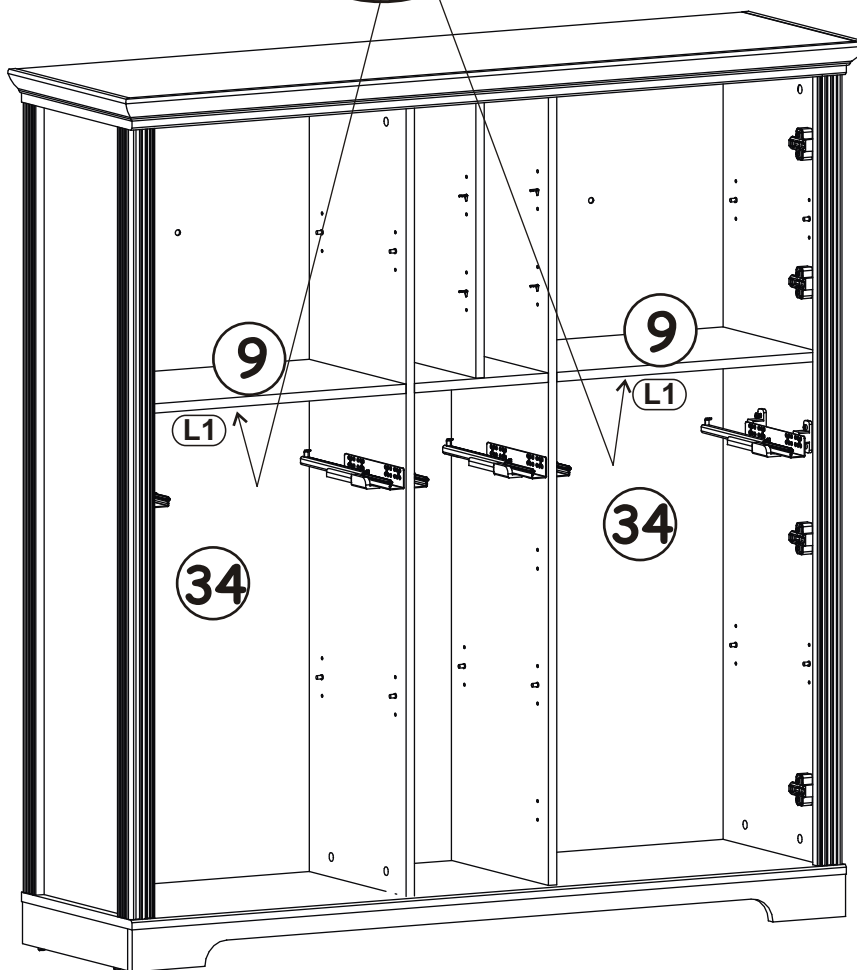
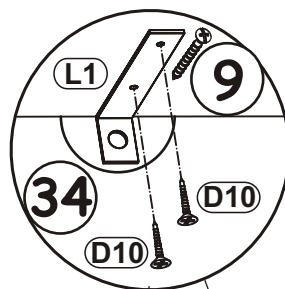
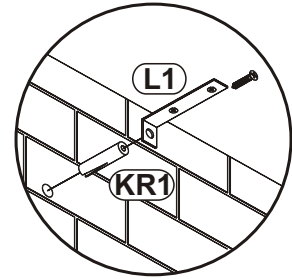
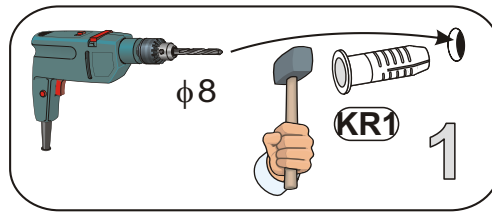
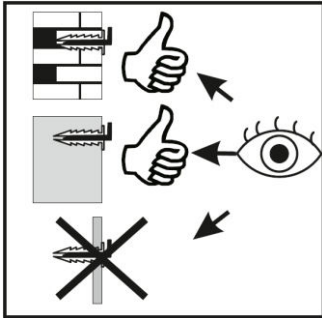
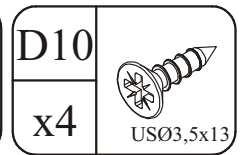
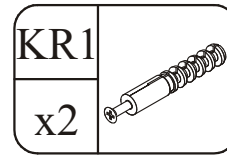
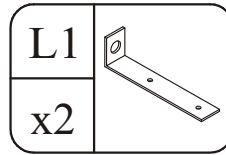


B14	
x8	Ø7x30

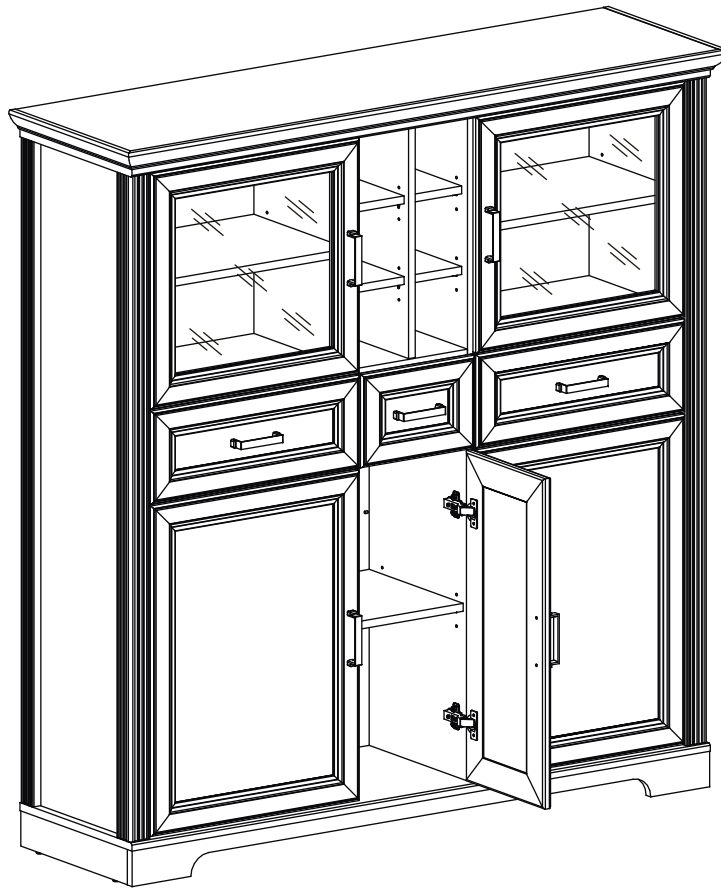
G12	
x8	Ø14



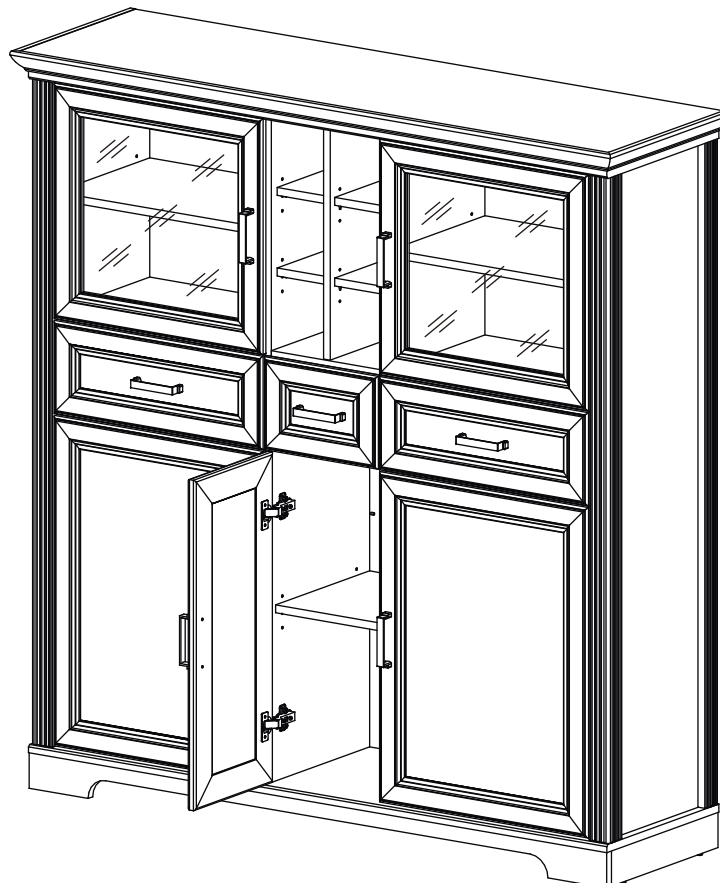
31



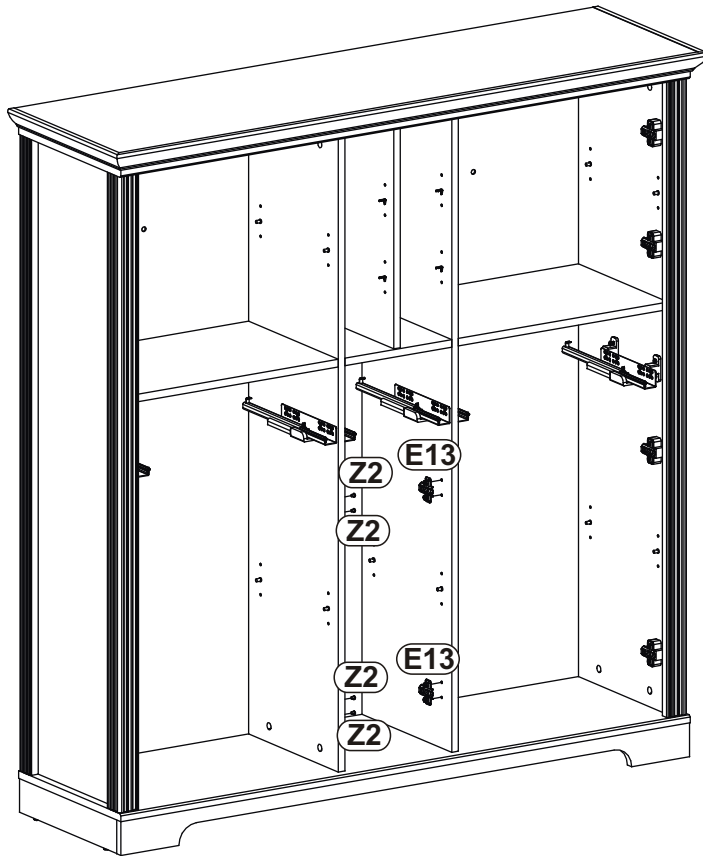
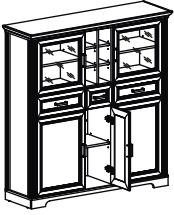
32-37



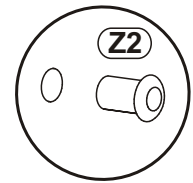
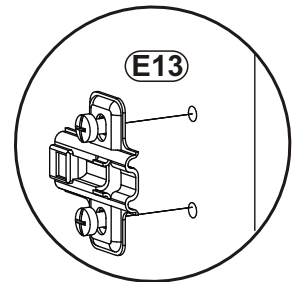
38-43



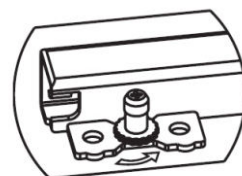
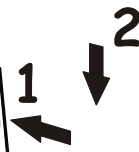
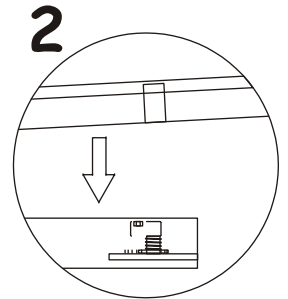
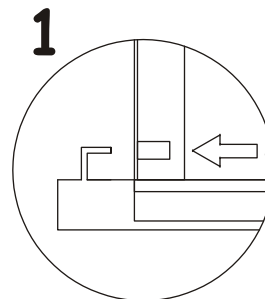
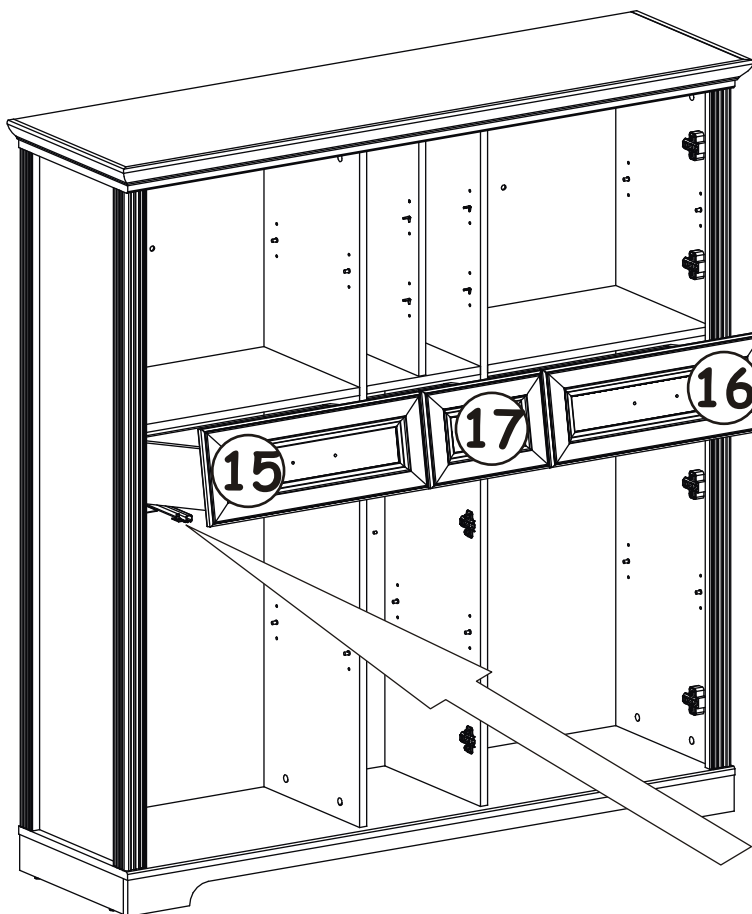
32



E13		Z2	
x2		x4	Ø5

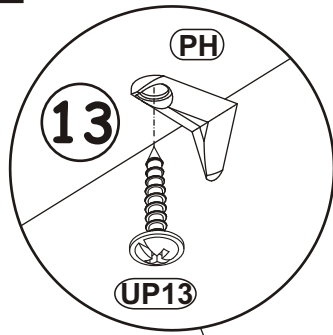
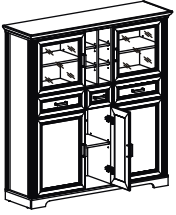


33

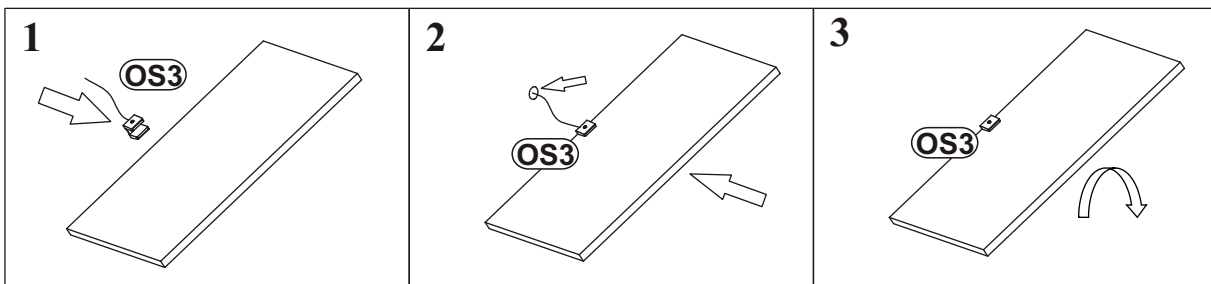
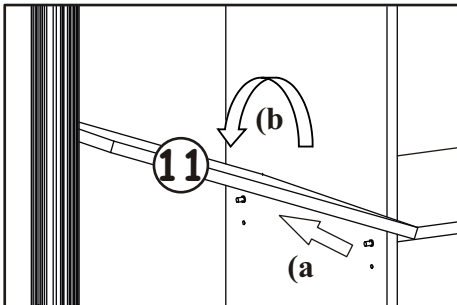
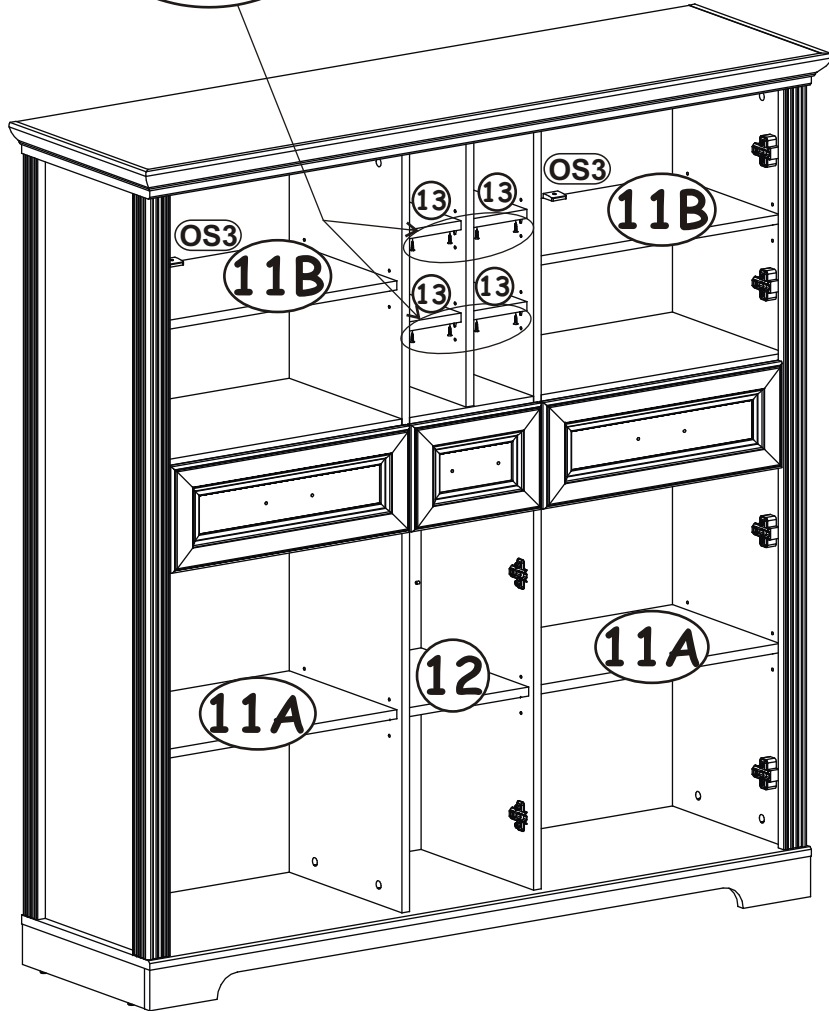


↑ +4 mm

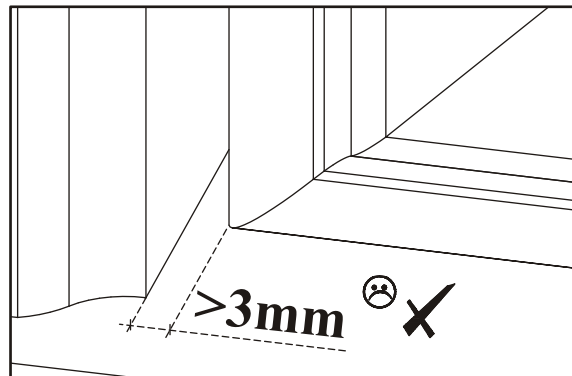
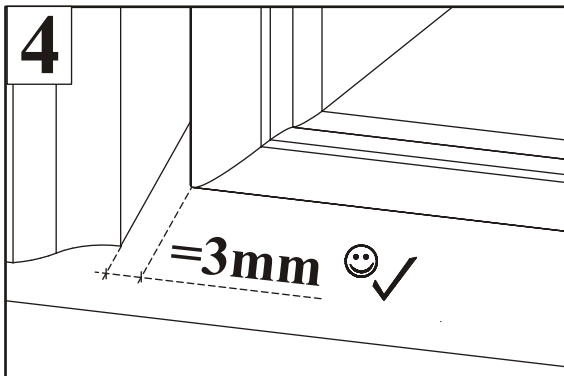
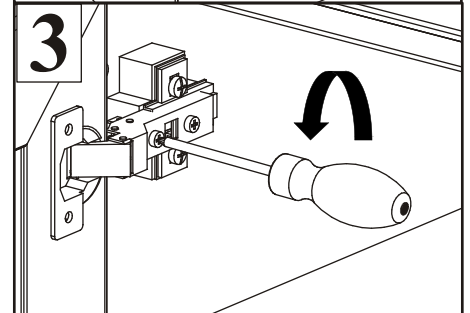
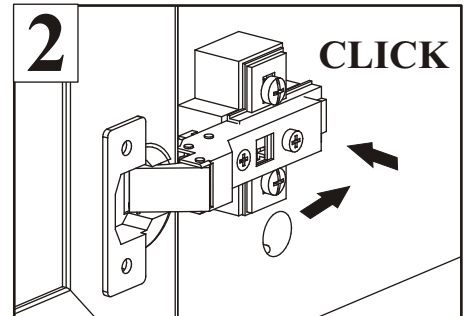
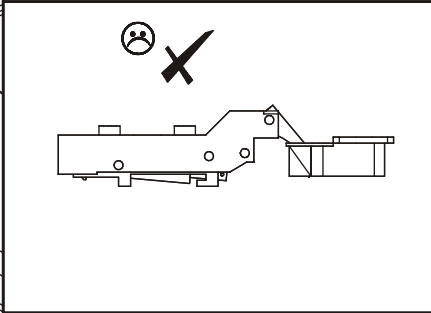
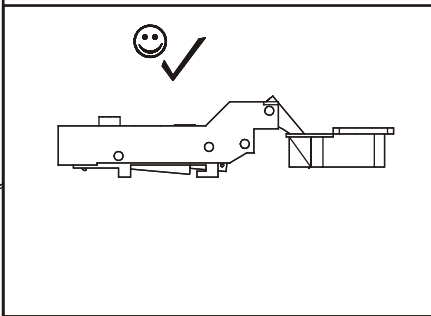
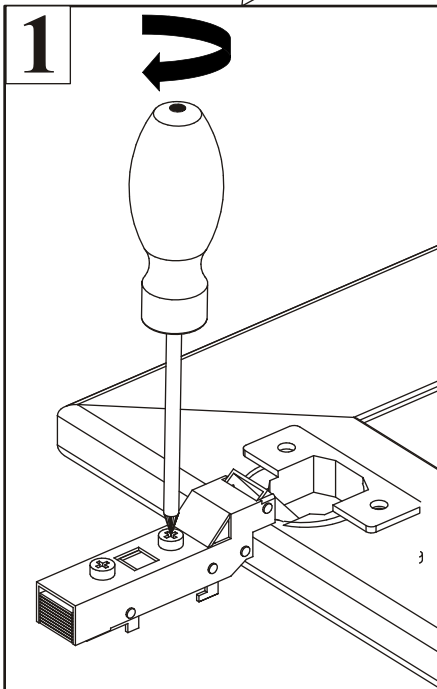
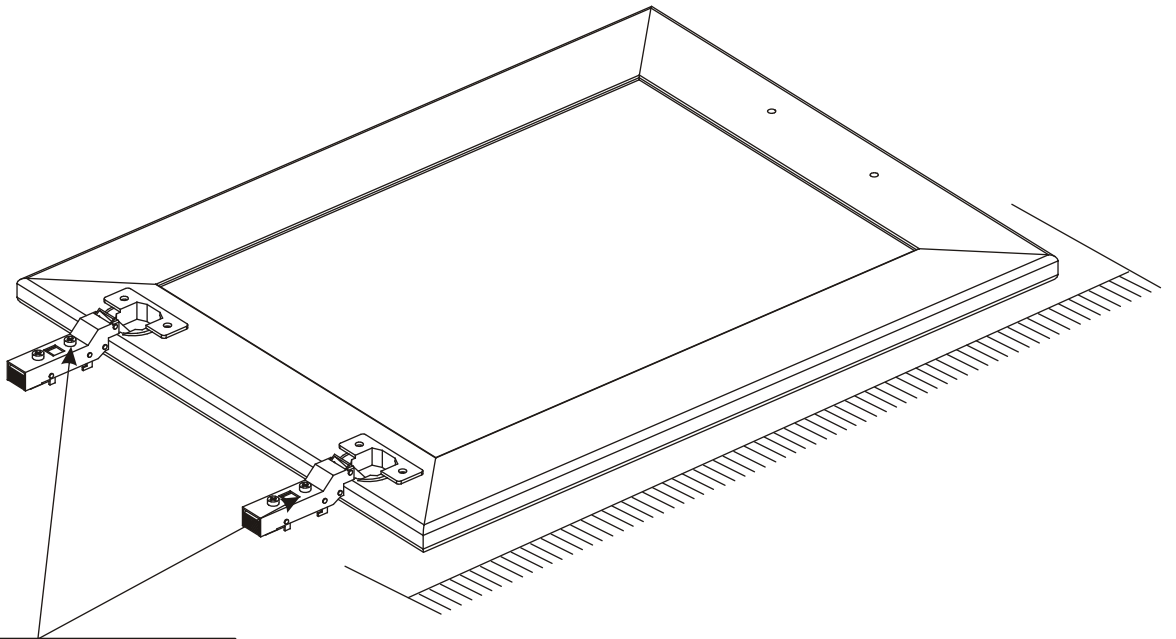
34



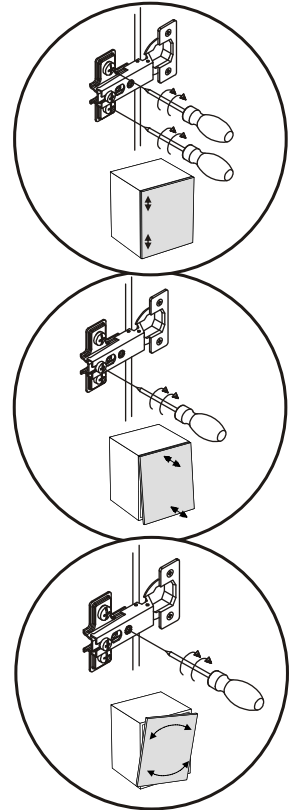
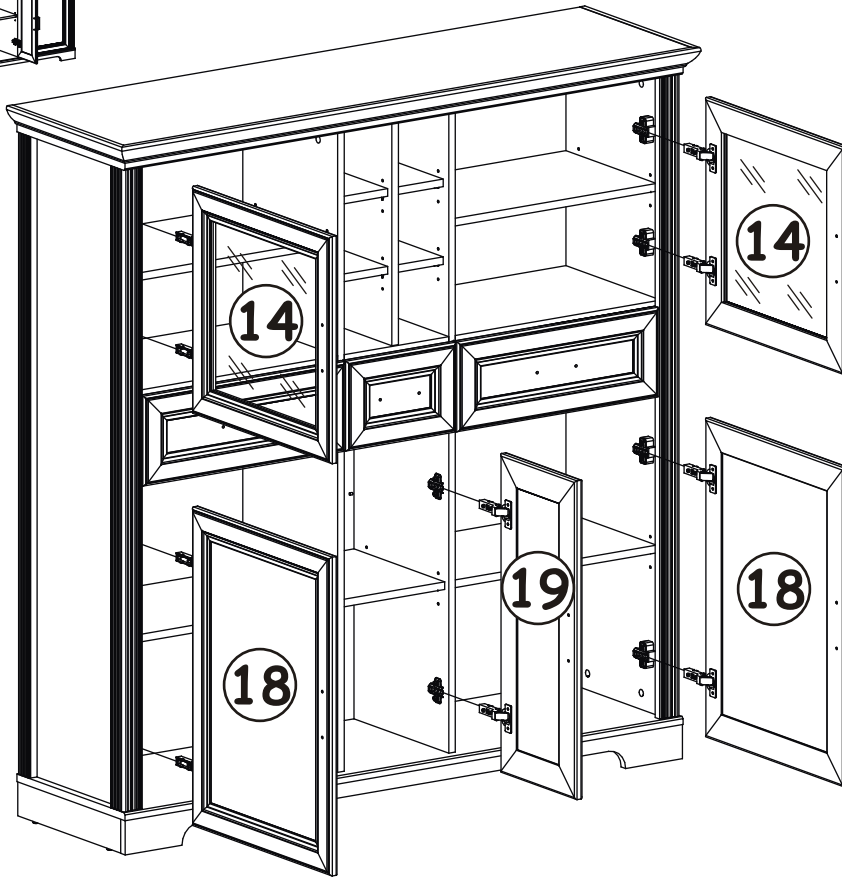
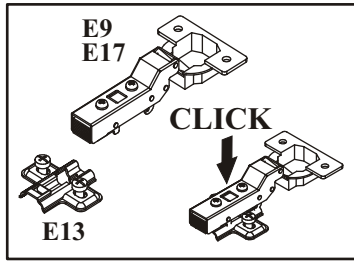
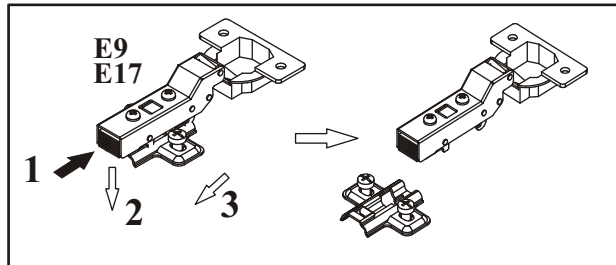
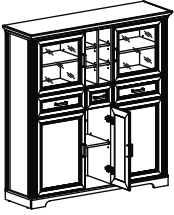
OS3		UP13	
x2		x8	



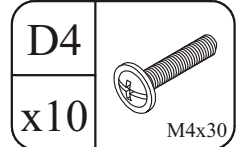
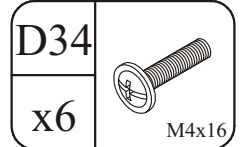
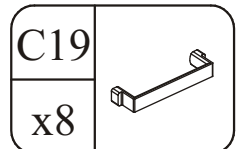
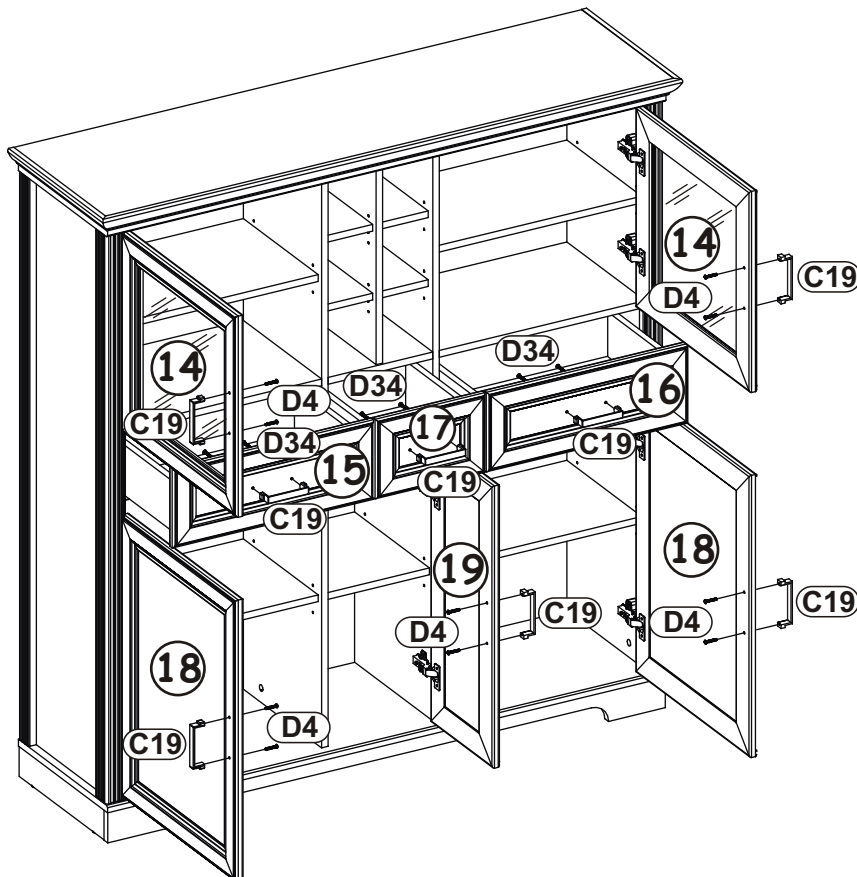
35



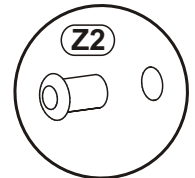
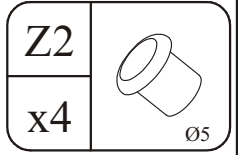
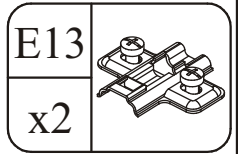
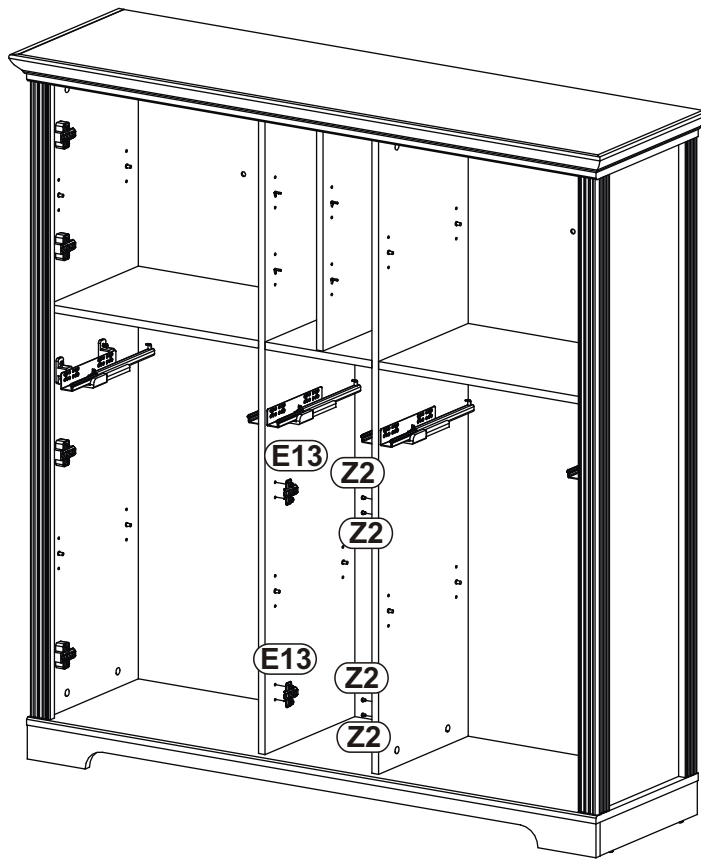
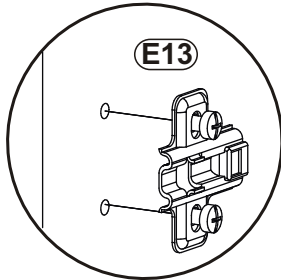
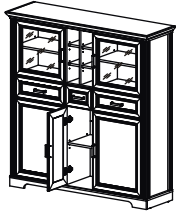
36



37

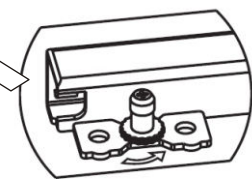
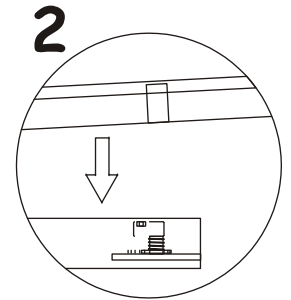
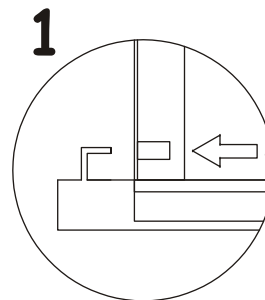
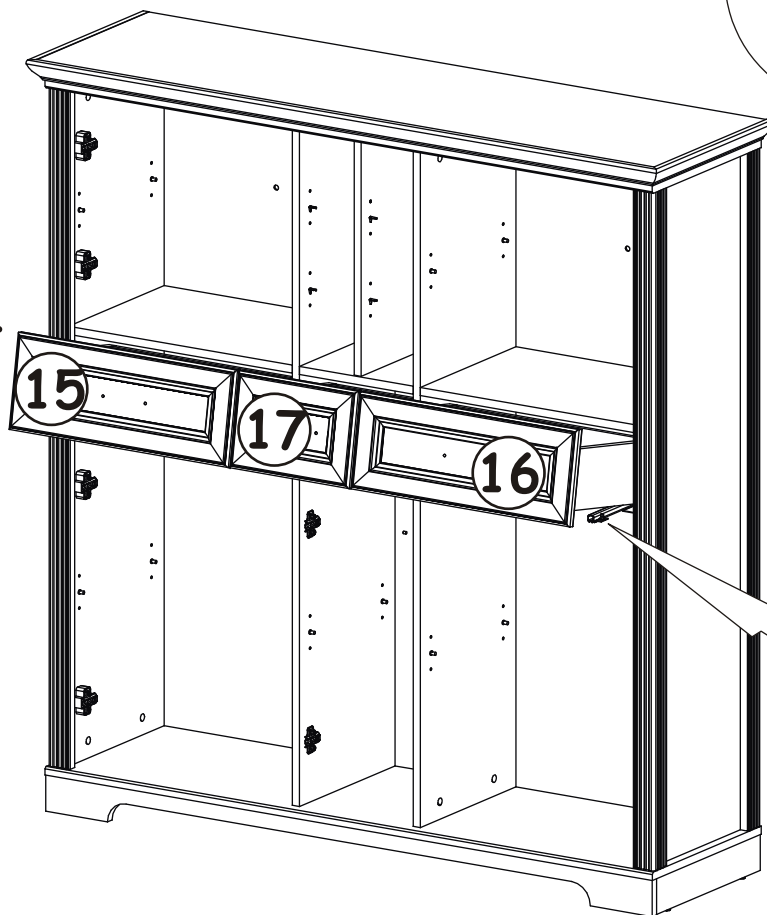


38



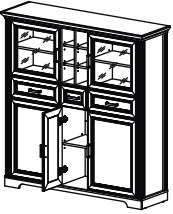
39

2
1

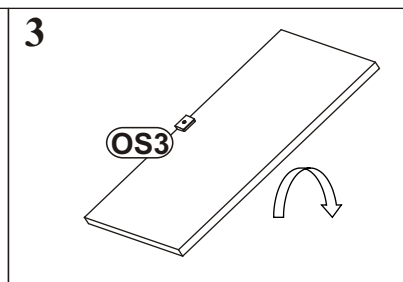
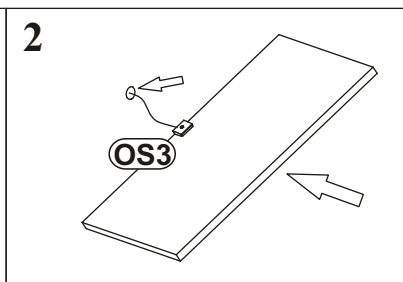
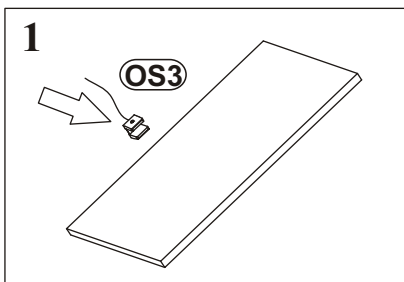
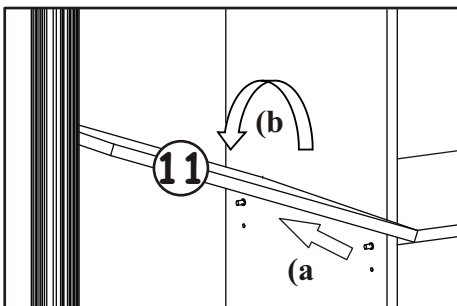
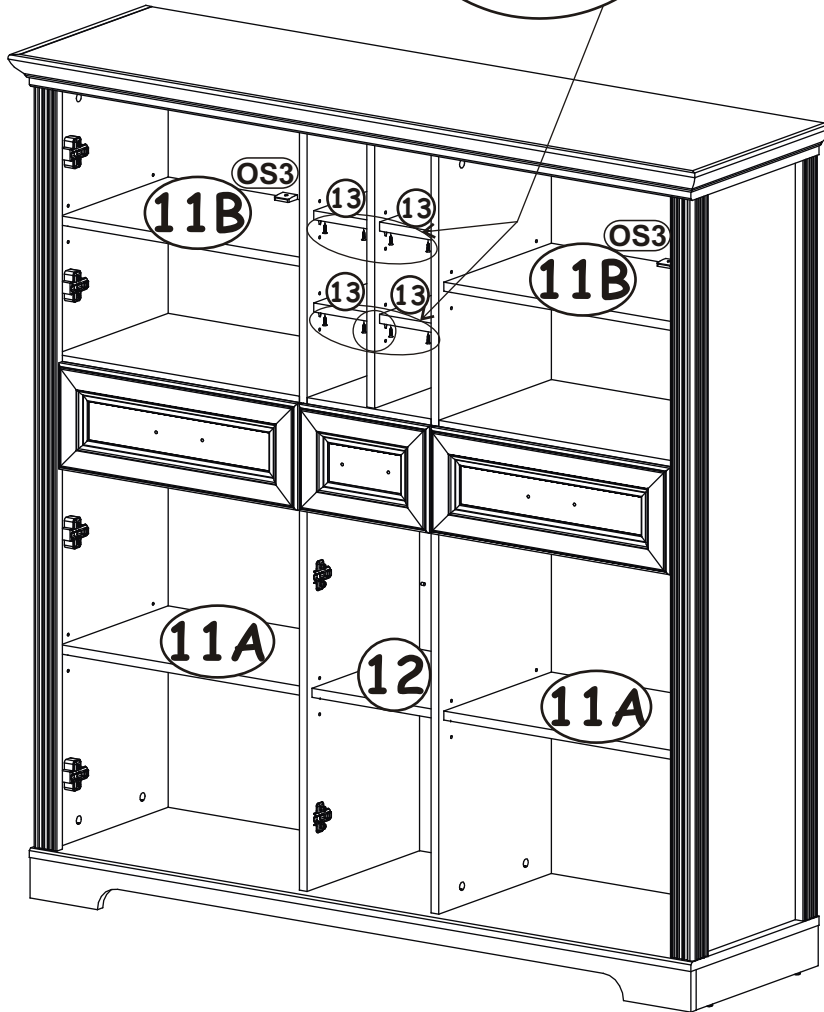
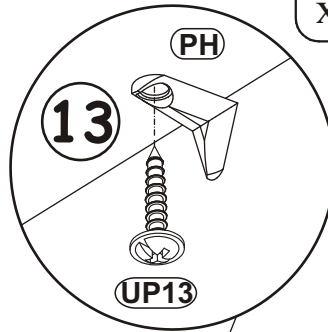


↑ +4 mm

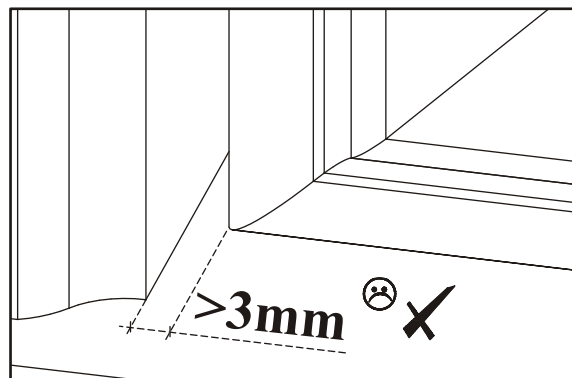
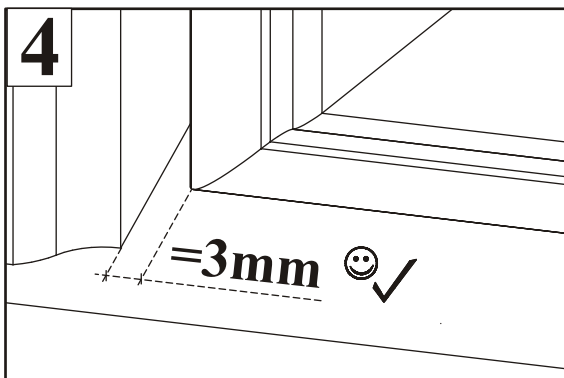
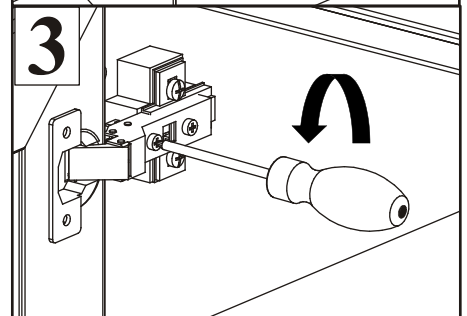
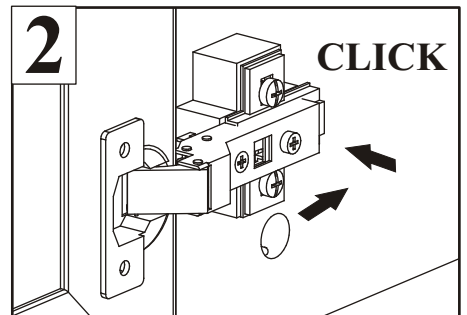
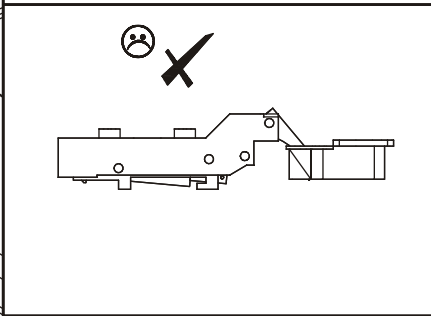
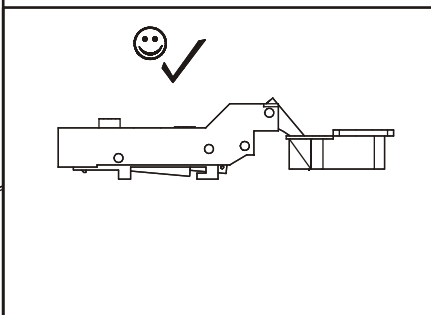
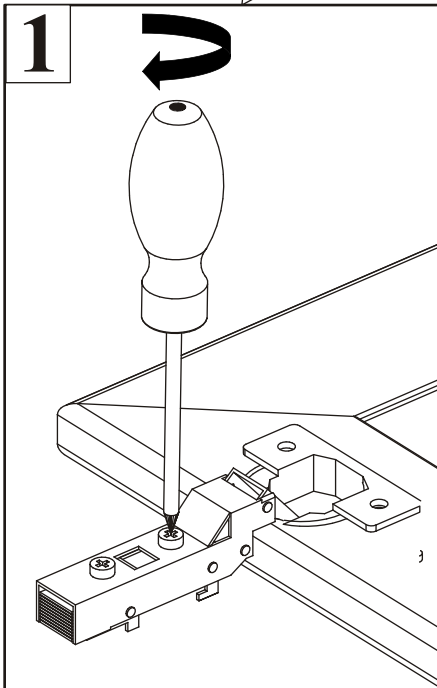
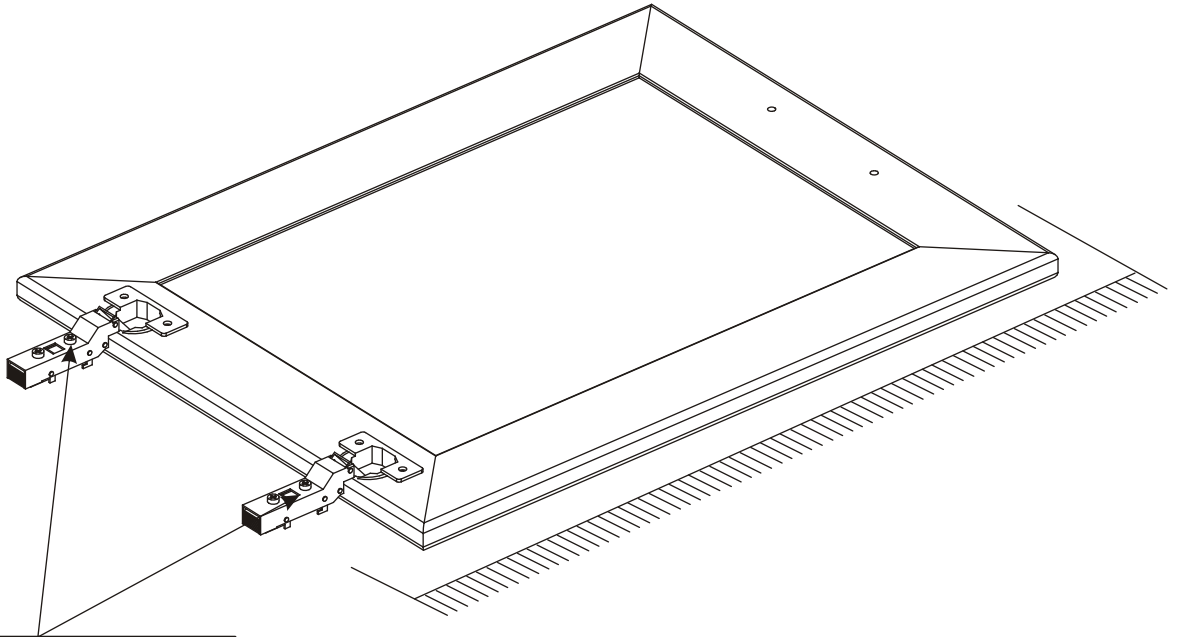
40



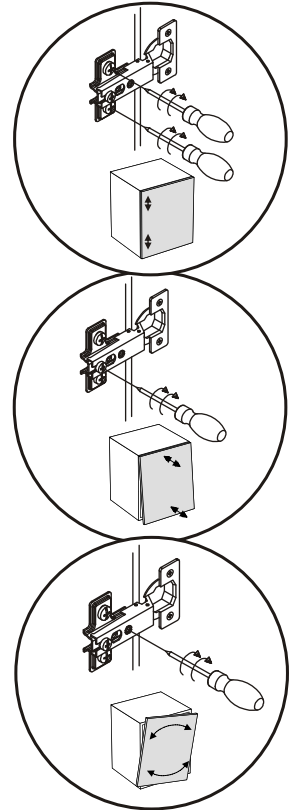
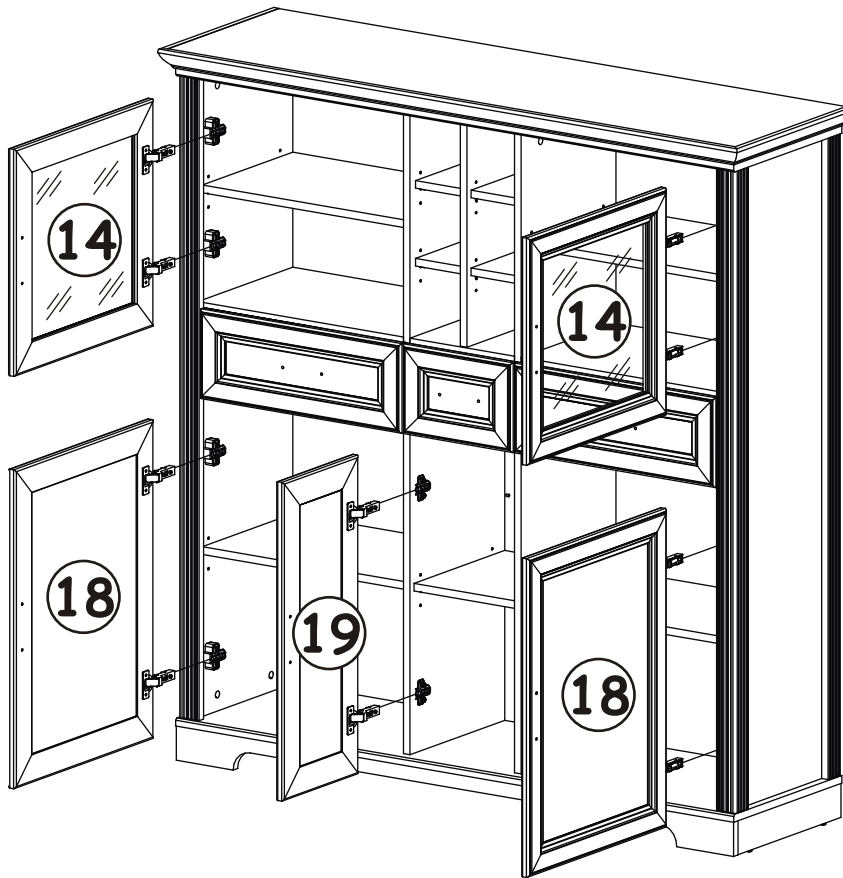
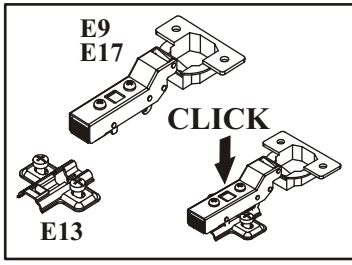
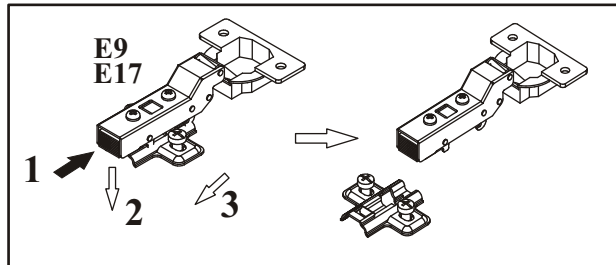
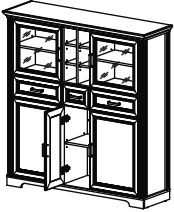
OS3		UP13	
x2		x8	UPØ3x16



41



42



43

