



**TR3.0**

**OWNER'S MANUAL  
BENUTZERHANDBUCH  
GEBRUIKERSHANDLEIDING  
MANUEL DU PROPRIÉTAIRE**

3	ENGLISH
25	DEUTSCH
47	NEDERLANDS
69	FRANÇAIS

# IMPORTANT PRECAUTIONS



## SAVE THESE INSTRUCTIONS

When using an electrical product, basic precautions should always be followed, including the following: Read all instructions before using this treadmill. It is the responsibility of the owner to ensure that all users of this treadmill are adequately informed of all warnings and precautions. If you have any questions after reading this guide, contact Customer Tech Support at the number listed on the back panel of the OWNER'S MANUAL.

This treadmill is intended for in-home use only. Do not use this treadmill in any commercial, rental, school or institutional setting. Failure to comply will void the warranty.



## **DANGER**

### **TO REDUCE THE RISK OF ELECTRICAL SHOCK:**

Always unplug the treadmill from the electrical outlet immediately after using, before cleaning, performing maintenance and putting on or taking off parts.

## **WARNING**

### **TO REDUCE THE RISK OF BURNS, FIRE, ELECTRICAL SHOCK OR INJURY TO PERSONS:**

- Never use the treadmill before securing the safety tether clip to your clothing.
- If you experience any kind of pain, including but not limited to chest pains, nausea, dizziness, or shortness of breath, stop exercising immediately and consult your physician before continuing.
- When exercising, always maintain a comfortable pace.
- Do not wear clothes that might catch on any part of the treadmill.
- Always wear athletic shoes while using this equipment.
- Do not jump on the treadmill.
- At no time should more than one person be on treadmill while in operation.
- This treadmill should not be used by persons weighing more than specified in the OWNER'S MANUAL WARRANTY SECTION. Failure to comply will void the warranty.
- When lowering the treadmill deck, wait until rear feet are firmly on the floor before stepping on the deck.
- Disconnect all power before servicing or moving the equipment. To clean, wipe surfaces down with soap and slightly damp cloth only; never use solvents. (See MAINTENANCE)
- The treadmill should never be left unattended when plugged in. Unplug from outlet when not in use, and before putting on or taking off parts.
- Do not operate under blanket or pillow. Excessive heating can occur and cause fire, electric shock, or injury to persons.
- Connect this exercise product to a properly grounded outlet only.

# WARNING


## TO REDUCE THE RISK OF BURNS, FIRE, ELECTRICAL SHOCK OR INJURY TO PERSONS:

- At NO time should pets or children under the age of 13 be closer to the treadmill than 10 feet.
- At NO time should children under the age of 13 use the treadmill.
- Children over the age of 13 or disabled persons should not use the treadmill without adult supervision.
- Use the treadmill only for its intended use as described in the treadmill guide and owner's manual.
- Do not use other attachments that are not recommended by the manufacturer. Attachments may cause injury.
- Never operate the treadmill if it has a damaged cord or plug, if it is not working properly, if it has been dropped or damaged, or immersed in water. Return the treadmill to a service center for examination and repair.
- Keep power cord away from heated surfaces. Do not carry this unit by its supply cord or use the cord as a handle.
- Never operate the treadmill with the air opening blocked. Keep the air opening clean, free of lint, hair, and the like.
- To prevent electrical shock, never drop or insert any object into any opening.
- Do not operate where aerosol (spray) products are being used or when oxygen is being administered.
- To disconnect, turn all controls to the off position, then remove plug from outlet.
- Do not use treadmill in any location that is not temperature controlled, such as but not limited to garages, porches, pool rooms, bathrooms, car ports or outdoors. Failure to comply will void the warranty.
- This treadmill is intended for in-home use only. Do not use this treadmill in any commercial, rental, school or institutional setting. Failure to comply will void the warranty.
- Do not remove the console covers unless instructed by Customer Tech Support. Service should only be done by an authorized service technician.

It is essential that your treadmill is used only indoors, in a climate controlled room. If your treadmill has been exposed to colder temperatures or high moisture climates, it is strongly recommended that the treadmill is warmed up to room temperature before first time use. Failure to do so may cause premature electronic failure.



## GROUNDING INSTRUCTIONS



This product must be grounded. If a treadmill should malfunction or breakdown, grounding provides a path of least resistance for electrical current to reduce the risk of electrical shock. This product is equipped with a cord having an equipment-grounding conductor and a grounding plug. The plug must be plugged into an appropriate outlet that is properly installed and grounded in accordance with local codes and ordinances.

### DANGER

Improper connection of the equipment-grounding conductor can result in a risk of electric shock. Check with a qualified electrician or service provider if you are in doubt as to whether the product is properly grounded. Do not modify the plug provided with the product. If it will not fit the outlet, have a proper outlet installed by a qualified electrician.

Make sure that the product is connected to an outlet having the same configuration as the plug. No adapter should be used with this product.

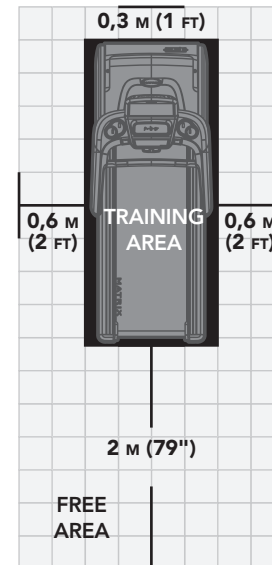
This product must be used on a dedicated circuit. To determine if you are on a dedicated circuit, shut off the power to that circuit and observe if any other devices lose power. If so, move devices to a different circuit. Note: There are usually multiple outlets on one circuit.

### WARNING

Connect this exercise product to a properly grounded outlet only.

Never operate product with a damaged cord or plug even if it is working properly. Never operate any product if it appears damaged, or has been immersed in water. Contact Customer Tech Support for replacement or repair.

Place the treadmill on a level and stable surface. There should be one foot of clearance in front of the treadmill for the power cord. Please leave a clear zone behind the treadmill that is at least the width of the treadmill and at least 79" (2 meters) long. This zone must be clear of any obstruction and provide the user a clear exit path from the machine. In case of an emergency, place both hands on the side arm rests to hold yourself up and place your feet onto the side rails. For ease of access, there should be an accessible space preferentially on both sides of the treadmill equal to 2 ft (0.6 meters) to allow a user access to the treadmill from either side. Do not place the treadmill in any area that will block any vent or air openings. The treadmill should not be located in a garage, covered patio, near water or outdoors.







# ASSEMBLY



## ⚠ WARNING

There are several areas during the assembly process that special attention must be paid. It is very important to follow the assembly instructions correctly and to make sure all parts are firmly tightened. If the assembly instructions are not followed correctly, the treadmill could have parts that are not tightened and will seem loose and may cause irritating noises. To prevent damage to the treadmill, the assembly instructions must be reviewed and corrective actions should be taken.

Before proceeding, find your treadmill's serial number located on a white barcode sticker near the on/off power switch and power cord and enter it in the space provided below.

ENTER YOUR SERIAL NUMBER AND MODEL NAME IN THE BOXES BELOW:

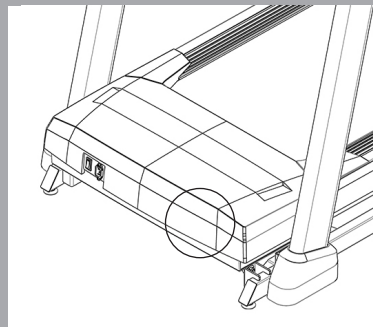
SERIAL NUMBER:

TM

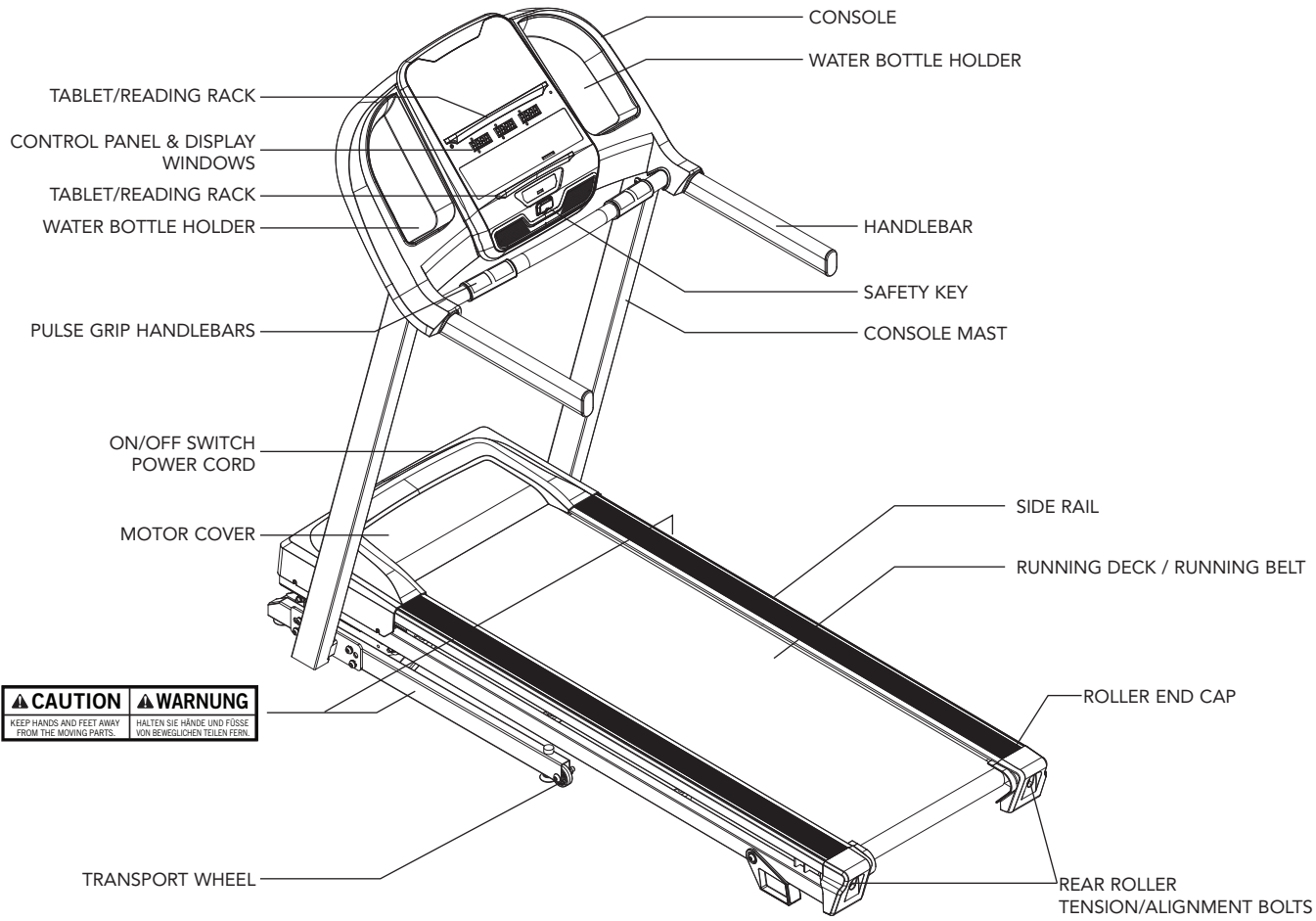
MODEL NAME: **HORIZON**

**TREADMILL**

### SERIAL NUMBER LOCATION



» Refer to the SERIAL NUMBER and MODEL NAME when calling for service.



<b>CAUTION</b>	<b>WARNUNG</b>
KEEP HANDS AND FEET AWAY FROM THE MOVING PARTS.	HALTEN SIE HÄNDE UND FÜSSE VON BEWEGLICHEN TEILEN FEHN!

## TOOLS INCLUDED:

- 5 mm L-Wrench
- 6 mm T-Wrench

## PARTS INCLUDED:

- 1 Console Assembly
- 2 Console Masts
- 1 Hardware Kit
- 1 Safety Key
- 1 Bottle of Silicone Lubricant  
(for 2 applications)
- 1 Power Cord
- 2 Handlebars



## NEED HELP?

If you have questions or if there are any missing parts, contact Customer Tech Support.

# PRE ASSEMBLY

## WARNING

DO NOT ATTEMPT TO LIFT THE TREADMILL! Do not move or lift treadmill from packaging until specified to do so in the assembly instructions. You may remove the plastic wrap from console masts.

## UNPACKING

Place the treadmill carton on a level flat surface. It is recommended that you place a protective covering on your floor. Take CAUTION when handling and transporting this unit. Never open box when it is on its side. Once the banding straps have been removed, do not lift or transport this unit unless it is fully assembled and in the upright folded position, with the lock latch secure. Unpack and assemble the unit where it will be used. The enclosed treadmill is equipped with high-pressure shocks and may spring open if mishandled. Never grab hold of any portion of the incline frame and attempt to lift or move the treadmill.

## WARNING

FAILURE TO FOLLOW THESE INSTRUCTIONS COULD RESULT IN INJURY!

NOTE: During each assembly step, ensure that ALL nuts and bolts are in place and partially threaded in before completely tightening any ONE bolt.

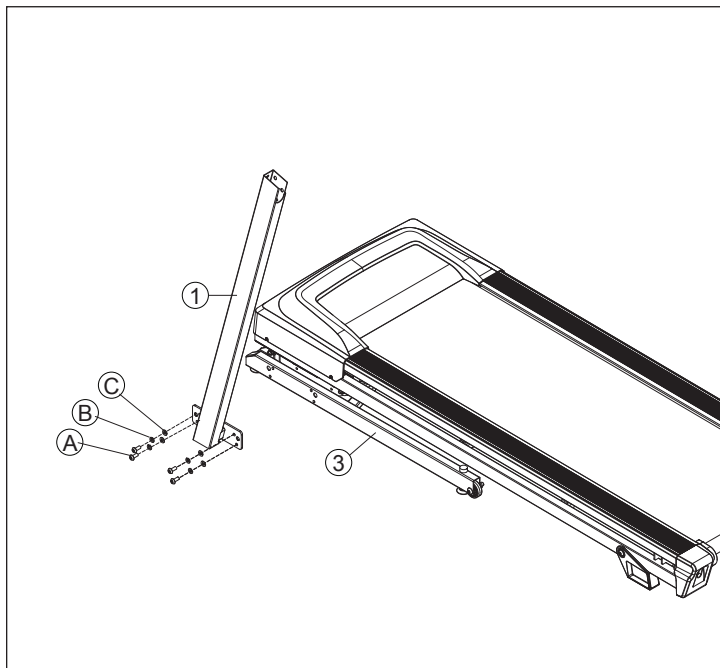
NOTE: A light application of grease may aid in the installation of hardware. Any grease, such as lithium bike grease is recommended.



# ASSEMBLY STEP 1



HARDWARE FOR STEP 1			
PART	TYPE	DESCRIPTION	QTY
A	BOLT	M8X1.25PX20L	4
B	SPRING WASHER	8.2X15.4X2T	4
C	FLAT WASHER	8.4X15.5X1.6T	4



- A Open **HARDWARE FOR STEP 1**.
- B Attach the **LEFT CONSOLE MAST (1)** to the **BASE FRAME (3)** using **4 BOLTS (A)**, **4 SPRING WASHERS (B)** and **4 FLAT WASHERS (C)**.

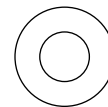
**NOTE:** Do not fully tighten bolts until **STEP 4**.



A



B

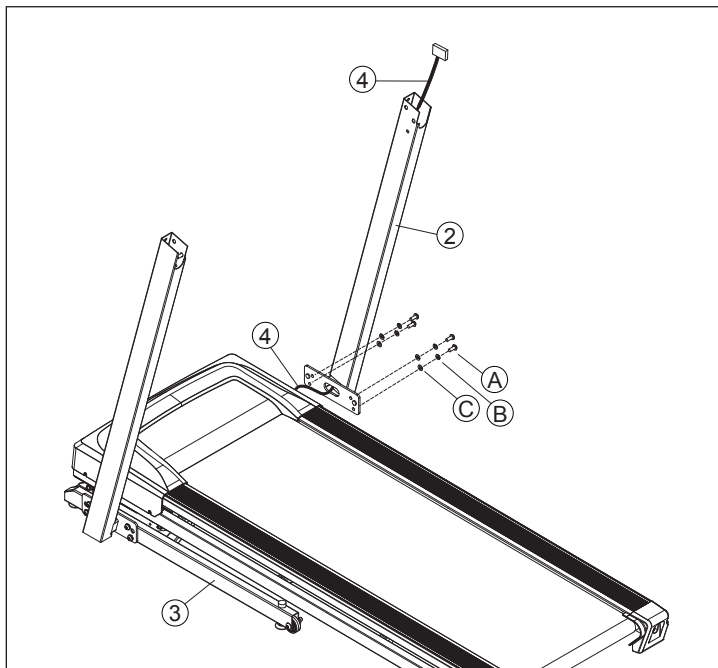


C

# ASSEMBLY STEP 2

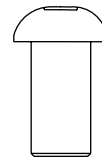


HARDWARE FOR STEP 2			
PART	TYPE	DESCRIPTION	QTY
A	BOLT	M8X1.25PX20L	4
B	SPRING WASHER	8.2X15.4X2T	4
C	FLAT WASHER	8.4X15.5X1.6T	4



- A Open **HARDWARE FOR STEP 2**.
- B Attach **LEAD WIRE** to bottom end of **CONSOLE CABLE (4)**. Pull **LEAD WIRE** through **RIGHT CONSOLE MAST (2)**. After pulling the lead wire through the mast, the top of the **CONSOLE CABLE (4)** should be located at the top of the mast.
- C Attach the **RIGHT CONSOLE MAST (2)** to the **BASE FRAME (3)** using **4 BOLTS (A)**, **4 SPRING WASHERS (B)** and **4 FLAT WASHERS (C)**.

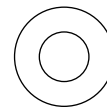
**NOTE:** Do not fully tighten bolts until **STEP 4**.



A



B

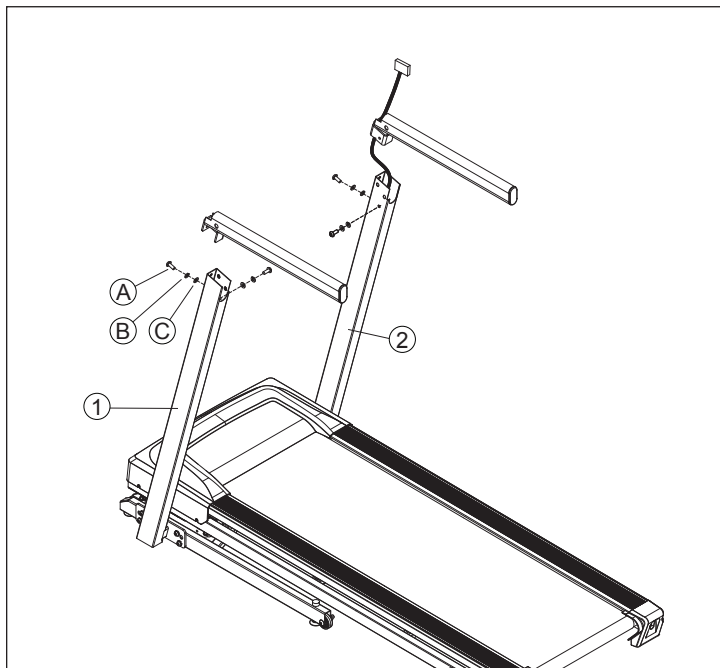


C

# ASSEMBLY STEP 3



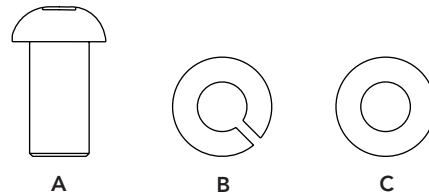
HARDWARE FOR STEP 3			
PART	TYPE	DESCRIPTION	QTY
A	BOLT	M8X1.25PX20L	4
B	SPRING WASHER	8.2X15.4X2T	4
C	FLAT WASHER	8.4X15.5X1.6T	4



**NOTE:** Be careful not to pinch any wires while assembling the console.

- A Pull the **LEAD WIRE** through the bottom end of the **HANDLEBAR**.
- B Open **HARDWARE FOR STEP 3**.
- C Attach the **HANDLEBAR** to the **LEFT CONSOLE MAST (2)** using **2 BOLTS (A)**, **2 SPRING WASHERS(B)** and **2 FLAT WASHERS (C)**.
- D Do the same above for the another **HANDLEBAR**.

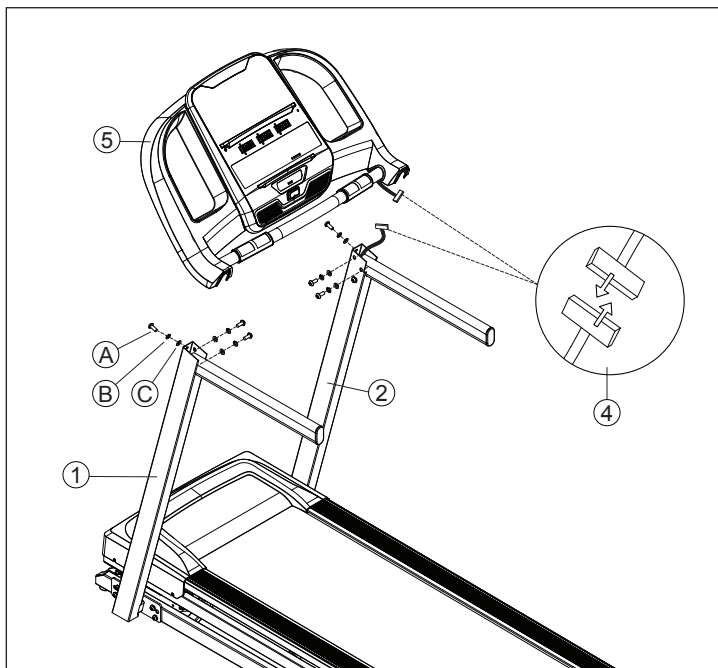
**NOTE:** Do not fully tighten bolts until **STEP 5**.



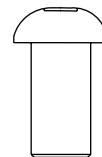
# ASSEMBLY STEP 4



HARDWARE FOR STEP 4			
PART	TYPE	DESCRIPTION	QTY
A	BOLT	M8X1.25PX20L	6
B	SPRING WASHER	8.2X15.4X2T	6
C	FLAT WASHER	8.4X15.5X1.6T	6



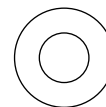
- A Open **HARDWARE FOR STEP 4**.
- B Gently place the **CONSOLE (5)** on top of the **CONSOLE MASTS (1&2)**. Attach the **LEFT SIDE** first using **3 BOLTS (A)**, **3 SPRING WASHERS (B)** and **3 FLAT WASHERS (C)**.
- C The **CONSOLE CABLES (4)** are tucked into the **CONSOLE MAST (2)**. Using the lead wire carefully pull the **CONSOLE CABLE (4)** out of the **CONSOLE MAST (2)**. Detach and discard the **LEAD WIRE (4)** and carefully tuck wires in the mast to avoid damage.
- D Attach the **RIGHT SIDE** of the **CONSOLE (5)** using **3 BOLTS (A)**, **3 SPRING WASHERS (B)** and **3 FLAT WASHERS (C)**.



A



B



C

# ASSEMBLY STEP 5



**ASSEMBLY COMPLETE!**



# TREADMILL OPERATION



This section explains how to use your treadmill's console and programming.

The BASIC OPERATION section in the TREADMILL GUIDE has instructions for the following:

- LOCATION OF THE TREADMILL
- USING THE SAFETY KEY
- FOLDING THE TREADMILL
- MOVING THE TREADMILL
- LEVELING THE TREADMILL
- TENSIONING THE RUNNING BELT
- CENTERING THE RUNNING BELT
- USING THE HEART RATE FUNCTION

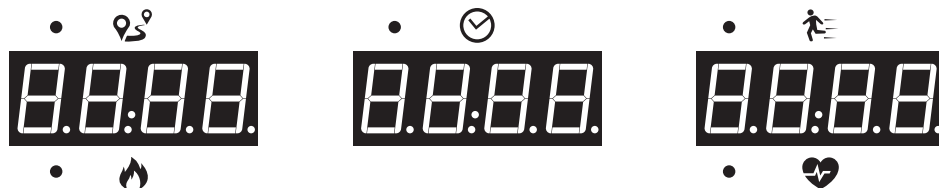


## CONSOLE OPERATION






Note: There is a thin protective sheet of clear plastic on the overlay of the console that should be removed before use.

- A) **LED DISPLAY:** Calories, Time, Distance, Speed, Heart Rate.
- B) **WORKOUT PROGRAMS:** used to reference program code shown on LED display.
- C) **START:** press to begin exercising, start your workout, or resume exercising after pause.
- D) **STOP:** press to pause/end your workout. Hold for 3 seconds to reset the console.
- E) **SPEED +/- KEYS:** used to adjust speed in small increments (0.1 mph increments).
- F) **SPEED QUICK KEYS:** used to reach desired speed more quickly.
- G) **BLUETOOTH HEART RATE:** press and hold 3 sec to connect to the Bluetooth heart rate strap. (APP & BT heart rate strap could only connect one at a time)
- H) **ENTER/CHANGE DISPLAY:** press to select item/press to change display feedback during workout.
- I) **WATER BOTTLE POCKETS:** holds personal workout equipment.
- J) **TABLET/READING RACK:** holds tablet or reading material.
- K) **HEART RATE PULSE GRIPS:** used to measure heart rate.
- L) **BLUETOOTH:** the light will be consistently on once the Bluetooth was connected.
- M) **SAFETY KEY:** the safety key need to plug in to turn on the treadmill.





## DISPLAY WINDOWS

-  **CALORIES:** Total calories burned or calories remaining left to burn during your workout.
-  **TIME:** Set up your workout time and speed. Then start your work out.
-  **DISTANCE:** Shown as kilometer. Indicates distance traveled or distance remaining during your workout.
-  **SPEED:** Shown as KPH. Indicates how fast your walking or running surface is moving.
-  **HEART RATE:** Shown as BPM (beats per minute). Used to monitor your heart rate (displayed when contact is made with both pulse grips).



## GETTING STARTED

- 1) Check to make sure no objects are placed on the belt that will hinder the movement of the treadmill.
- 2) Plug in the power cord and turn the treadmill ON. (The ON/OFF switch is next to the power cord.)
- 3) Stand on the side rails of the treadmill.
- 4) Attach the safety key clip to part of your clothing making sure that it is secure and will not become detached during operation.
- 5) Insert the safety key into the safety keyhole in the console.
- 6) You have two options to start your workout:

### A) QUICK START UP

Simply press the START key to begin working out.  
Time, distance, and calories will all count up from zero. OR...

### B) SELECT A WORKOUT OR TARGET

- 1) Select your PROGRAM with the +/- buttons and press ENTER when your desired PROGRAM is displayed.
- 2) Adjust the SETTING with the +/- buttons and press ENTER when your desired SETTING is displayed.
- 3) Press START to begin.



## WORKOUT PROFILES

P1



P1) **MANUAL:** Adjust your speed manually during your workout.

P2



P2) **DISTANCE:** Push yourself and go further during your workout with 13 distance workouts. Choose from L1: 1.6 km, L2: 3.2 km, L3: 5km, L4: 8 km, L5: 10km, L6: 12.8 km, L7: 15km, L8: 16 km, L9: 20km, L10: half marathon, L11: 24 km, L12: 32 km and L13: marathon goals. User sets starting speed levels.

P3



P3) **TIME:** Set goals for Time. User could set up the speed and Incline to start.

P4



P4) **CALORIES:** Set goals for burning calories. Calories burned are calculated using distance and speed.



**P5) FAT BURN:** A workout designed specifically to target fat. Promotes weight loss by increasing and decreasing the speed, while keeping you in your fat burning zone. Includes 10 levels.



Segment		Warm Up		1	2	3	4	5	6	7	8
Time		4:00 Mins		30 Sec	30 Sec	30 Sec	30 Sec	30 Sec	30 Sec	30 Sec	30 Sec
Level 1	Incline	0	0.5	1.5	1.5	1	0.5	0.5	0.5	1	1.5
	Speed(kph)	0.8	2.4	3.2	4	4.8	5.6	6.4	5.6	4.8	4
Level 2	Incline	0	0.5	1.5	1.5	1	0.5	1	0.5	1	1.5
	Speed(kph)	0.8	3	4	4.8	5.6	6.4	7.2	6.4	5.6	4.8
Level 3	Incline	0.5	1	2	2	1.5	1	1	1	1.5	2
	Speed(kph)	0.8	3.7	4.8	5.6	6.4	7.2	8	7.2	6.4	5.6
Level 4	Incline	0.5	1	2	2	1.5	1	1	1	1.5	2
	Speed(kph)	1.6	4.1	5.6	6.4	7.2	8	8.8	8	7.2	6.4
Level 5	Incline	1	1.5	2.5	2.5	2	1.5	1.5	1.5	2	2.5
	Speed(kph)	1.6	4.8	6.4	7.2	8	8.8	9.6	8.8	8	7.2
Level 6	Incline	1	1.5	2.5	2.5	2	1.5	1.5	1.5	2	2.5
	Speed(kph)	1.6	5.1	7.2	8	8.8	9.6	10.4	9.6	8.8	8
Level 7	Incline	1.5	2	3	3	2.5	2	2	2	2.5	3
	Speed(kph)	2.2	6.1	8	8.8	9.6	10.4	11.2	10.4	9.6	8.8
Level 8	Incline	1.5	2	3	3	2.5	2	2	2	2.5	3
	Speed(kph)	2.2	6.6	8.8	9.6	10.4	11.2	12	11.2	10.4	9.6
Level 9	Incline	2	2.5	3.5	3.5	3	2.5	2.5	2.5	3	3.5
	Speed(kph)	2.2	7.2	9.6	10.4	11.2	12	12.8	12	11.2	10.4
Level 10	Incline	2	2.5	3.5	3.5	3	2.5	2.5	2.5	3	3.5
	Speed(kph)	2.2	7.8	10.4	11.2	12	12.8	13.6	12.8	12	11.2



## **TO RESET THE CONSOLE**

Hold STOP key for 3 seconds.

## **FINISHING YOUR WORKOUT**

When your workout is complete, the unit will beep. Your workout information will stay displayed on the console for 30 seconds and then reset.



# WICHTIGE SICHERHEITSHINWEISE



## BEWAHREN SIE DIE ANLEITUNGEN AUF

Beim Gebrauch eines elektronischen Produkts sollten die folgenden grundlegenden Sicherheitshinweise unbedingt beachtet werden: Lesen Sie alle Anleitungen, bevor Sie das Gerät benutzen. Der Besitzer ist dafür verantwortlich, dass alle Benutzer dieses Laufbands über alle Warn- und Sicherheitshinweise hinreichend informiert sind. Wenden Sie sich unter der auf der Rückseite dieses BENÜTZERHANDBUCHS angegebenen Nummer an den technischen Kundendienst, sofern Sie nach dem Lesen dieser Anleitung noch Fragen haben.

Dieses Laufband ist nur für den Heimgebrauch gedacht. Setzen Sie das Laufband nicht für kommerzielle Zwecke, zur Vermietung, in Schulen oder anderen Einrichtungen ein. Bei Zuwiderhandlung verfällt die Garantie.



# GEFAHR

## ZUR MINDERUNG DER GEFAHR EINES ELEKTRISCHEN SCHLAGS:

Trennen Sie das Laufband immer sofort nach Gebrauch sowie vor der Reinigung, Wartung oder dem Anbringen oder Abnehmen von Teilen vom Stromnetz.



# WARNUNG

## SO REDUZIEREN SIE DAS RISIKO VON VERBRENNUNGEN, FEUER, ELEKTRISCHEN SCHLÄGEN UND VERLETZUNGEN AN PERSONEN:

- Verwenden Sie das Laufband ausschließlich, nachdem Sie die Sicherheitsleine mit dem Clip an Ihrer Kleidung befestigt haben.
- Sollten während des Trainings Schmerzen jeglicher Art, etwa Brustschmerzen, Übelkeit, Schwindel oder Atemlosigkeit, auftreten, beenden Sie sofort das Training und suchen Sie einen Arzt auf, bevor Sie das Training fortsetzen.
- Trainieren Sie stets in einem für Sie angenehmen Tempo.
- Tragen Sie keine Kleidung, die sich am Laufband verfangen könnte.
- Tragen Sie stets Sportschuhe bei der Verwendung des Geräts.
- Springen Sie nicht auf das Laufband.
- Das Laufband darf immer nur von jeweils einer Person verwendet werden.
- Das Laufband darf nicht von Personen benutzt werden, die mehr wiegen, als im Abschnitt „GARANTIE“ des BENUTZERHANDBUCHS angegeben ist. Bei Zuwiderhandlung verfällt die Garantie.
- Wenn Sie das Laufband herunterklappen, warten Sie, bis die hinteren Standfüße fest auf dem Boden stehen, bevor Sie auf das Laufband steigen.
- Trennen Sie das Gerät von der Stromversorgung, bevor Sie es warten oder umstellen. Reinigen Sie das Gerät mit einem leicht angefeuchteten Tuch und milder Seife. Verwenden Sie niemals Lösungsmittel. (Siehe „WARTUNG“.)
- Das Laufband darf nie unbeaufsichtigt bleiben, solange es an das Stromnetz angeschlossen ist. Ziehen Sie den Stecker aus der Steckdose, wenn Sie das Gerät nicht benutzen oder bevor Sie Teile anbringen oder abnehmen.
- Nicht unter einer Decke oder einem Kissen benutzen. Übermäßige Erwärmung kann zu Bränden, Stromschlägen oder Personenschäden führen.
- Schließen Sie das Trainingsgerät nur an eine ordnungsgemäß geerdete Steckdose an.

# **WARNUNG**

## **SO REDUZIEREN SIE DAS RISIKO VON VERBRENNUNGEN, FEUER, ELEKTRISCHEN SCHLÄGEN UND VERLETZUNGEN AN PERSONEN:**

- Kinder unter 13 Jahren sowie Haustiere sollten UNBEDINGT einen Abstand von mindestens drei Metern zum Laufband einhalten.
- Kinder unter 13 Jahren sollten das Laufband NICHT verwenden.
- Jugendliche über 13 oder behinderte Personen sollten das Gerät nur unter Beaufsichtigung einer erwachsenen Person verwenden.
- Verwenden Sie das Gerät nur gemäß Laufband- und Benutzerhandbuch.
- Verwenden Sie keine Anbauteile oder -geräte, die nicht vom Hersteller empfohlen wurden. Anbauteile können zu Verletzungen führen.
- Betreiben Sie das Laufband nicht, wenn Kabel oder Stecker beschädigt sind, wenn es nicht ordnungsgemäß funktioniert, umgefallen, beschädigt oder in Wasser getaucht worden ist. Senden Sie das Laufband zur Überprüfung und Reparatur an ein Servicezentrum.
- Halten Sie das Netzkabel von aufgeheizten Oberflächen fern. Tragen Sie das Gerät nicht am Netzkabel bzw. verwenden Sie das Kabel nicht als Griff.
- Betreiben Sie das Laufband niemals, wenn die Belüftungsöffnung blockiert ist. Halten Sie die Belüftungsöffnung sauber und frei von Staub, Haaren und dergleichen.
- Zur Vermeidung von Stromschlägen dürfen keine Gegenstände in Öffnungen am Gerät eingeworfen oder eingeführt werden.
- Nehmen Sie das Gerät nicht an Orten in Betrieb, an denen Aerosolprodukte (Spray) verwendet werden oder Sauerstoff verabreicht wird.
- Zum Abschalten drehen Sie alle Bedienelemente in die Off-Position und trennen Sie dann den Stecker von der Steckdose.
- Verwenden Sie das Laufband in keiner Umgebung ohne Temperaturregulierung, etwa in Garagen, Vorbauten, Pool-Anlagen, Badezimmern, Autostellplätzen oder im Freien. Bei Zuwiderhandlung verfällt die Garantie.
- Dieses Laufband ist nur für den Heimgebrauch gedacht. Setzen Sie das Laufband nicht für kommerzielle Zwecke, zur Vermietung, in Schulen oder anderen Einrichtungen ein. Bei Zuwiderhandlung verfällt die Garantie.
- Entfernen Sie die Konsolenabdeckungen nur nach Aufforderung durch den technischen Kundendienst. Die Wartung sollte nur durch autorisiertes Servicepersonal durchgeführt werden.

Das Laufband darf nur im klimatisierten Innenbereich verwendet werden. Ist das Laufband niedrigen Temperaturen oder hoher Luftfeuchtigkeit ausgesetzt gewesen, sollte es vor dem ersten Gebrauch unbedingt auf Raumtemperatur erwärmt werden. Werden diese Hinweise nicht beachtet, kann es zu einer elektronischen Fehlfunktion kommen.



## HINWEISE ZUR ERDUNG

Dieses Produkt muss über eine Erdung verfügen. Im Falle einer Fehlfunktion oder eines Ausfalls des Laufbands bietet die Erdung dem elektrischen Strom den Weg des geringsten Widerstands, was das Risiko eines Stromschlags verringert. Dieses Produkt ist mit einem Kabel ausgestattet, das über einen Geräteschutzleiter und einen Erdungsstecker verfügt. Der Netzstecker muss in eine geeignete Steckdose gesteckt werden, die entsprechend den örtlichen Vorschriften und Verordnungen installiert und geerdet ist.

## GEFAHR

Ein unsachgemäßer Anschluss des Geräteschutzleiters kann zu einem Stromschlag führen. Wenden Sie sich an einen qualifizierten Elektriker oder Dienstleister, wenn Sie Zweifel haben, ob das Gerät ordnungsgemäß geerdet ist. Nehmen Sie keine Änderungen am mitgelieferten Netzstecker vor. Passt dieser nicht in Ihre Steckdose, lassen Sie eine geeignete Steckdose von einem qualifizierten Elektriker installieren.

Stellen Sie sicher, dass das Produkt an eine Steckdose mit der gleichen Konfiguration wie der Stecker angeschlossen ist. Für dieses Produkt sollte kein Adapter verwendet werden.

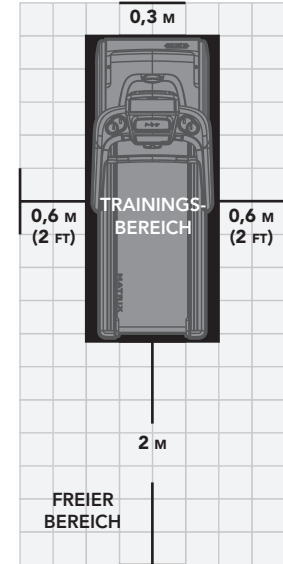
Dieses Produkt muss über einen separaten Stromkreis betrieben werden. Um festzustellen, ob es sich um einen separaten Stromkreis handelt, schalten Sie den Strom für diesen Stromkreis ab und prüfen Sie, ob auch die Stromzufuhr anderer Geräte getrennt wurde. Verwenden Sie in diesem Fall für diese Geräte einen anderen Stromkreis. Hinweis: Normalerweise gibt es pro Stromkreis mehrere Steckdosen.

## WARNUNG

Schließen Sie das Trainingsgerät nur an eine ordnungsgemäß geerdete Steckdose an.

Betreiben Sie das Gerät niemals mit einem beschädigten Kabel oder Stecker, auch wenn es normal funktioniert. Betreiben Sie niemals ein Gerät, das beschädigt zu sein scheint oder in Wasser getaucht worden ist. Wenden Sie sich an den technischen Kundendienst, um Ersatz oder Reparatur zu beantragen.

Platzieren Sie das Laufband auf einer ebenen und stabilen Fläche. Es sollten rund 30 cm Freiraum vor dem Laufband für das Netzkabel vorhanden sein. Lassen Sie hinter dem Laufband einen Bereich frei, der mindestens so breit wie das Laufband und mindestens zwei Meter lang ist. In diesem Bereich dürfen sich keine Hindernisse befinden und Nutzer müssen einen freien Zu- und Abstieg vom Gerät haben. Halten Sie sich im Notfall mit beiden Händen an den seitlichen Haltestangen fest und stellen Sie sich auf die seitlichen Trittplächen. Für einen leichteren Zugang sollte auf beiden Seiten des Laufbands ein freier Bereich von 0,6 Metern vorhanden sein, sodass man von beiden Seiten bequem auf das Laufband steigen kann. Platzieren Sie das Laufband so, dass keine Öffnungen am Gerät blockiert werden. Das Laufband sollte nicht in einer Garage, auf einer überdachten Terrasse, in der Nähe von Wasser oder im Freien aufgestellt werden.





# AUFBAU



## ⚠️ WARNUNG

Beim Aufbau gibt es einige Schritte, die besondere Aufmerksamkeit erfordern. Es ist sehr wichtig, die Aufbauanleitung genau zu befolgen und sicherzustellen, dass alle Komponenten fest verschraubt sind. Wenn die Aufbauanleitungen nicht ordnungsgemäß befolgt werden, kann dies zu losen Verbindungen zwischen den Laufbandkomponenten und in Folge zu störenden Geräuschen führen. Um Schäden am Laufband zu vermeiden, müssen die Aufbauanleitung sorgfältig gelesen und etwaige beim Aufbau gemachte Fehler korrigiert werden.

Bevor Sie fortfahren, suchen Sie die Seriennummer des Laufbands auf einem weißen Aufkleber mit Strichcode neben dem Ein-/Ausshalter, und tragen Sie diese im nachfolgenden freien Feld ein.

GEBEN SIE DIE SERIENNUMMER UND DIE MODELLBEZEICHNUNG IN DEN NACHSTEHENDEN FELDERN EIN:

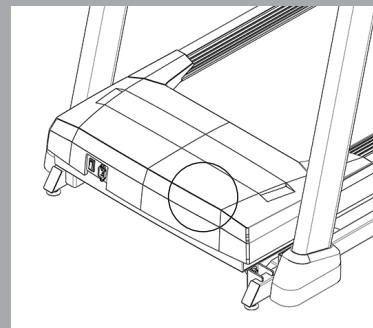
SERIENNUMMER:

TM

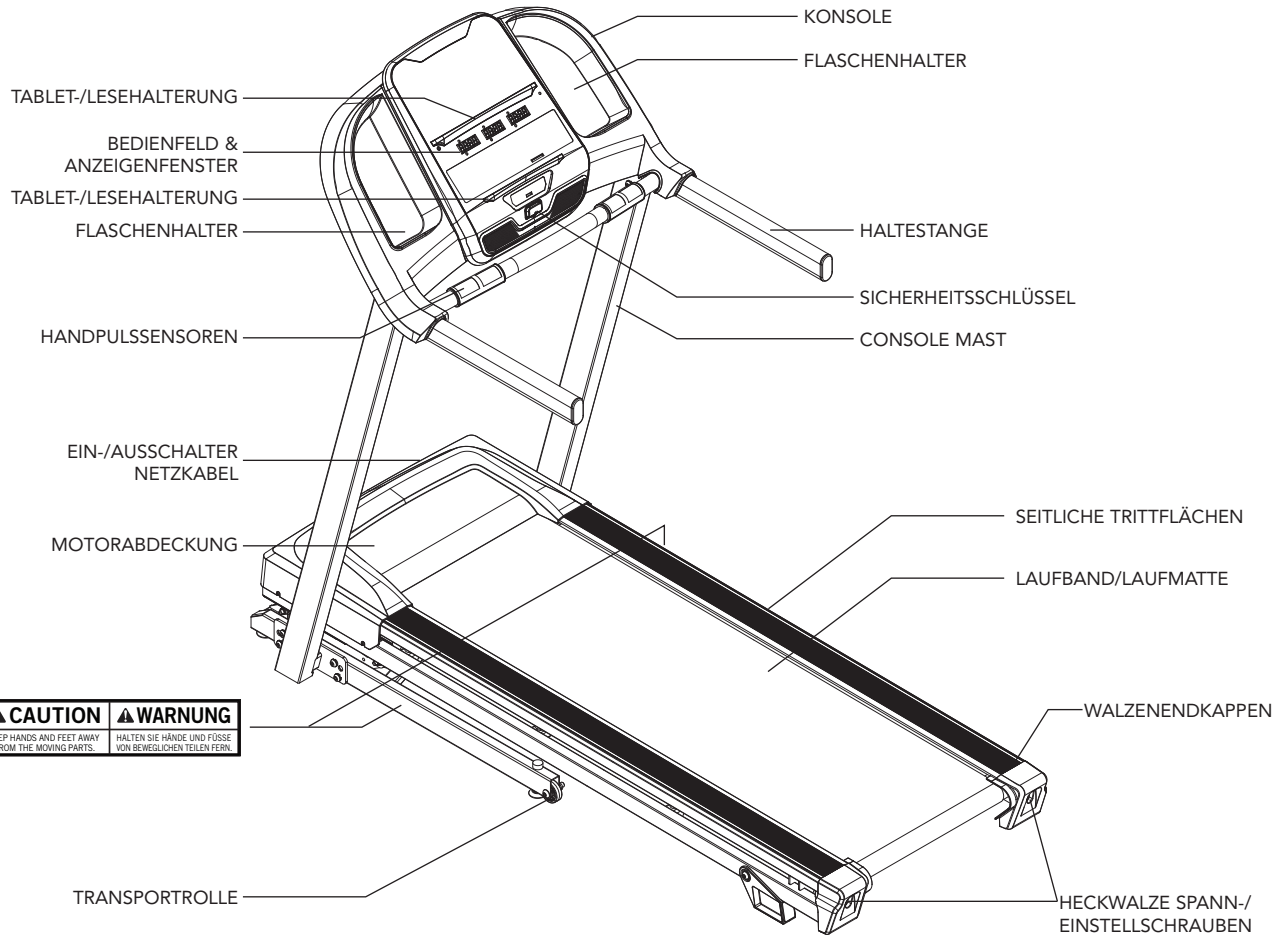
MODELLBEZEICHNUNG: **HORIZON**

**TREADMILL**

POSITION DER SERIENNUMMER



» Wenn Sie sich an den Kundendienst wenden, halten Sie die SERIENNUMMER und die MODELLBEZEICHNUNG bereit.



<b>CAUTION</b>	<b>WARNUNG</b>
KEEP HANDS AND FEET AWAY FROM THE MOVING PARTS.	HALTEN SIE HÄNDE UND FÜSSE VON BEWEGLICHEN TEILEN FEHN!



## IM LIEFERUMFANG ENTHALTENE WERKZEUGE:

- 5 mm L-Schraubenschlüssel
- 6 mm T-Schraubenschlüssel

## IM LIEFERUMFANG ENTHALTENE TEILE:

- 1 Konsolenvorrichtung
- 2 Konsolenmasten
- 1 Gerätesatz
- 1 Sicherheitsschlüssel
- 1 Flasche Silikonfett (für 2 Anwendungen)
- 1 Netzkabel
- 2 Griffstangen



## BENÖTIGEN SIE UNTERSTÜTZUNG?

Bei Fragen oder fehlenden Teilen wenden Sie sich an unseren technischen Kundendienst.

## VOR DEM AUFBAU

### **WARNUNG**

DAS LAUFBAND NICHT ANHEBEN! Bewegen oder heben Sie das Laufband nicht aus der Verpackung, bis Sie in der Anleitung hierzu angewiesen werden. Entfernen Sie die Plastikfolie von den Konsolenmasten.

### **AUSPACKEN**

Stellen Sie den Karton mit dem Laufband auf eine ebene Fläche. Es empfiehlt sich, den Boden mit einer Schutzfolie auszulegen. Gehen Sie bei der Handhabung und dem Transport dieses Geräts VORSICHTIG vor. Öffnen Sie den Karton nicht, wenn er auf der Seite liegt. Sobald die Verpackungsbänder entfernt wurden, darf das Gerät erst wieder angehoben oder transportiert werden, nachdem es vollständig montiert und in eine aufrechte, zusammengeklappte Position gebracht wurde. Packen Sie das Gerät an dem Ort aus, an dem es verwendet werden soll, und montieren Sie es dort. Das Laufband ist mit Hochdruckstoßdämpfern ausgestattet, was dazu führen kann, dass es bei falscher Handhabung plötzlich aufklappen kann. Versuchen Sie niemals, das Laufband am Steigungsrahmen zu heben oder zu bewegen.

### **WARNUNG**

BEI NICHTBEACHTUNG DIESER ANWEISUNGEN KANN  
ES ZU VERLETZUNGEN KOMMEN!

HINWEIS: Stellen Sie bei jedem Schritt sicher, dass Sie ALLE Muttern und Schrauben eingesetzt und teilweise eingeschraubt haben, bevor Sie EINZELNE Schrauben vollständig festziehen.

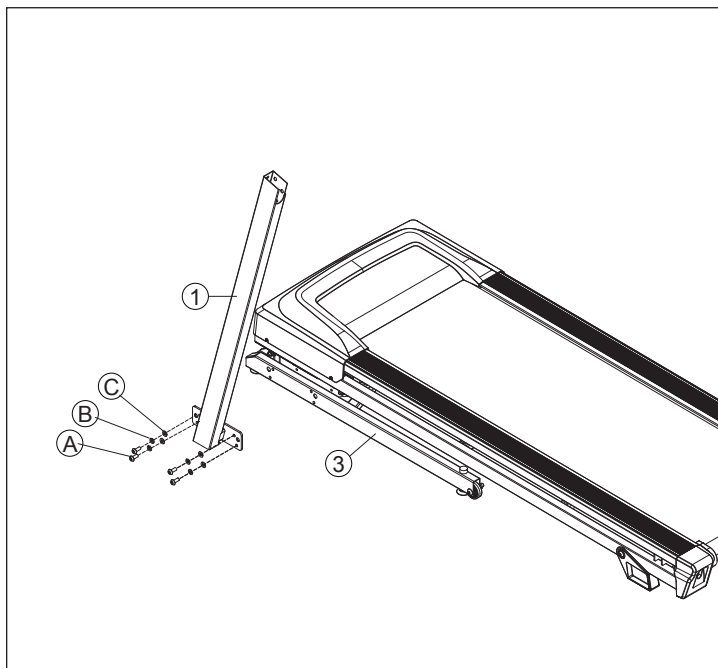
HINWEIS: Das Auftragen einer kleinen Menge Schmierfett kann den Aufbau erleichtern. Es empfiehlt sich ein Schmierfett wie beispielsweise Lithium-Fahrradfett.



# AUFBAU SCHRITT 1

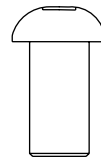


HARDWARE FÜR SCHRITT 1			
EINZELTEILE	TYP	BESCHREIBUNG	MENGE
A	SCHRAUBE	M8X1.25PX20L	4
B	FEDERSCHEIBE	8.2X15.4X2T	4
C	UNTERLEGSCHLEIBE	8.4X15.5X1.6T	4



- A Öffnen Sie die **HARDWARE FÜR SCHRITT 1**.
- B Befestigen Sie den **LINKEN KONSOLENMAST (1)** am **BASISRAHMEN (3)** mit **4 SCHRAUBEN (A)**, **4 FEDERSCHLEIBEN (B)** und **4 UNTERLEGSCHLEIBEN (C)**.

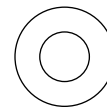
**HINWEIS:** Die Schrauben dürfen erst in **SCHRITT 4** vollständig festgezogen werden.



A



B

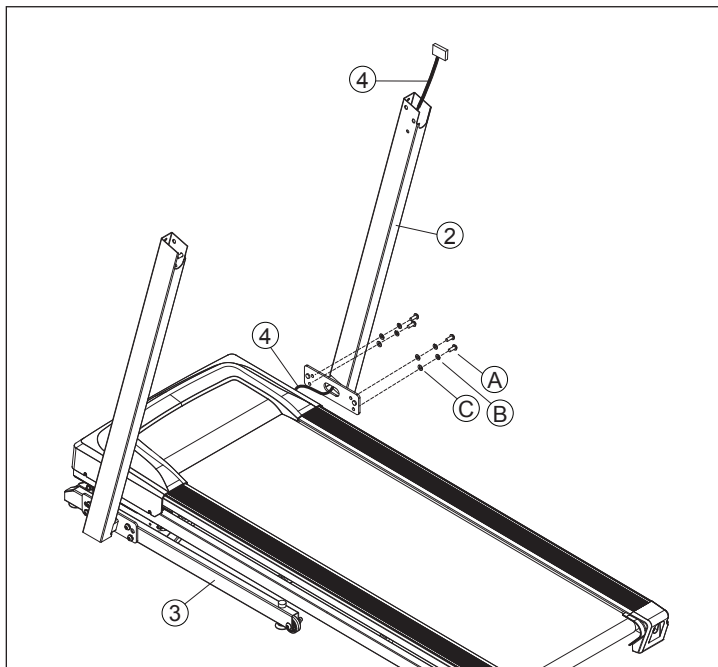


C

# AUFBAU SCHRITT 2

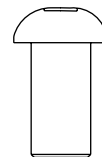


HARDWARE FÜR SCHRITT 2			
EINZELTEILE	TYP	BESCHREIBUNG	MENGE
A	SCHRAUBE	M8X1.25PX20L	4
B	FEDERSCHEIBE	8.2X15.4X2T	4
C	UNTERLEGSCHIEBE	8.4X15.5X1.6T	4



- A Öffnen Sie die **HARDWARE FÜR SCHRITT 2**.
- B Befestigen Sie den **FÜHRUNGSDRAHT** an das untere Ende des **KONSOLENKABELS(4)**. Ziehen Sie den **FÜHRUNGSDRAHT** durch den **RECHTEN KONSOLENMAST (2)**. Nachdem Sie den Führungsdraht durch den Mast gezogen haben, sollte sich das obere Ende des **KONSOLENKABEL (4)** am oberen Ende des Masts befinden.
- C Befestigen Sie den **RECHTEN KONSOLENMAST (2)** am **BASISRAHMEN (3)** mit **4 SCHRAUBEN (A)**, **4 FEDERSCHIEBEN (B)** und **4 UNTERLEGSCHIEBEN (C)**.

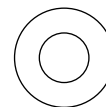
**HINWEIS:** Die Schrauben dürfen erst in **SCHRITT 4** vollständig festgezogen werden.



A



B

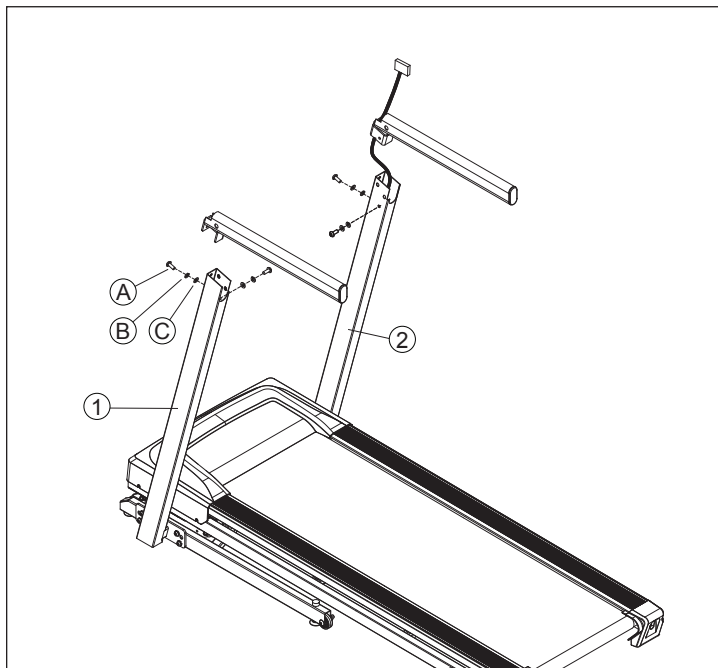


C

# AUFBAU SCHRITT 3



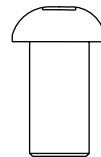
HARDWARE FÜR SCHRITT 3			
EINZELTEILE	TYP	BESCHREIBUNG	MENGE
A	SCHRAUBE	M8X1.25PX20L	4
B	FEDERSCHEIBE	8.2X15.4X2T	4
C	UNTERLEGSCHIEBE	8.4X15.5X1.6T	4



**HINWEIS:** Achten Sie darauf, dass Sie bei der Montage der Konsole keine Kabel abklemmen.

- A Ziehen Sie den **FÜHRUNGSDRAHT** durch das untere Ende der **HALTESTANGE**.
- B Öffnen Sie die **HARDWARE FÜR SCHRITT 3**.
- C Befestigen Sie die **HALTESTANGE** am **LINKEN KONSOLENMAST (2)** mit **2 SCHRAUBEN (A)**, **2 FEDERSCHIEBEN (B)** und **2 UNTERLEGSCHIEBEN (C)**.
- D Führen Sie diese Schritt für die andere **HALTESTANGE** durch.

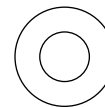
**HINWEIS:** Die Schrauben dürfen erst in **SCHRITT 5 VOLLSTÄNDIG FESTGEZOGEN WERDEN**.



A



B

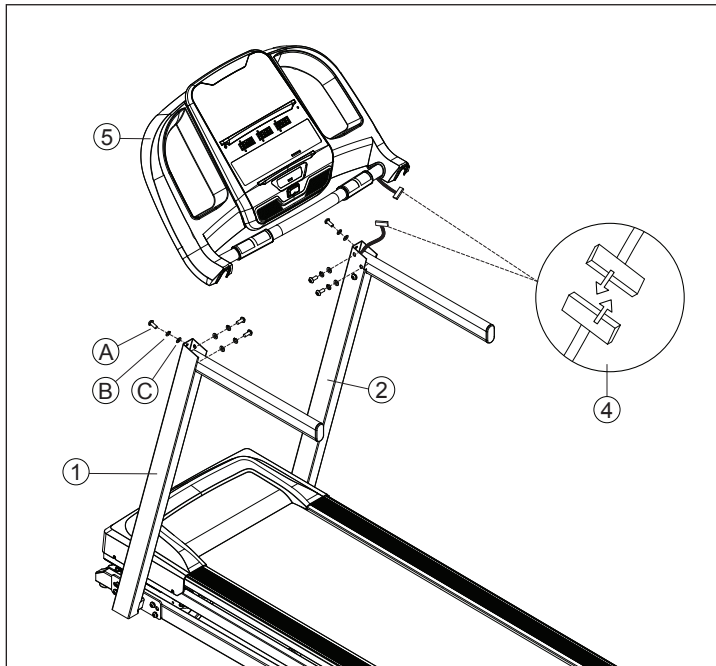


C

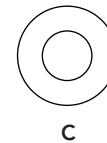
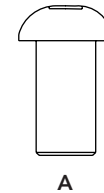
# AUFBAU SCHRITT 4



HARDWARE FÜR SCHRITT 4			
EINZELTEILE	TYP	BESCHREIBUNG	MENGE
A	SCHRAUBE	M8X1.25PX20L	6
B	FEDERSCHEIBE	8.2X15.4X2T	6
C	UNTERLEGSCHIEBE	8.4X15.5X1.6T	6



- A Öffnen Sie die **HARDWARE FÜR SCHRITT 4**.
- B Setzen Sie die **KONSOLE (5)** vorsichtig auf die beiden **KONSOLENMASTEN (1&2)**. Befestigen Sie die **LINKE SEITE** zuerst mit **3 SCHRAUBEN (A)**, **3 FEDERSCHIEBEN (B)** und **3 UNTERLEGSCHIEBEN (C)**.
- C Die **KONSOLENKABEL (4)** werden im **KONSOLENMAST (2)** verstaut. Ziehen Sie das **KONSOLENKABEL (4)** vorsichtig mithilfe des Führungsdrahts aus dem **KONSOLENMAST (2)** heraus. Entfernen und entsorgen Sie den **FÜHRUNGSDRAHT**. Verbinden Sie die **KONSOLENKABEL (4)** und verstauen Sie alle Kabel sorgfältig in den Masten, um Schäden zu vermeiden.
- D Befestigen Sie die **RECHTE SEITE** der **KONSOLE (5)** mit **3 SCHRAUBEN (A)**, **3 FEDESCHEIBEN (B)** und **3 UNTERLEGSCHIEBEN (C)**.



## AUFBAUSCHRITT 5



**AUFBAU ABGESCHLOSSEN!**

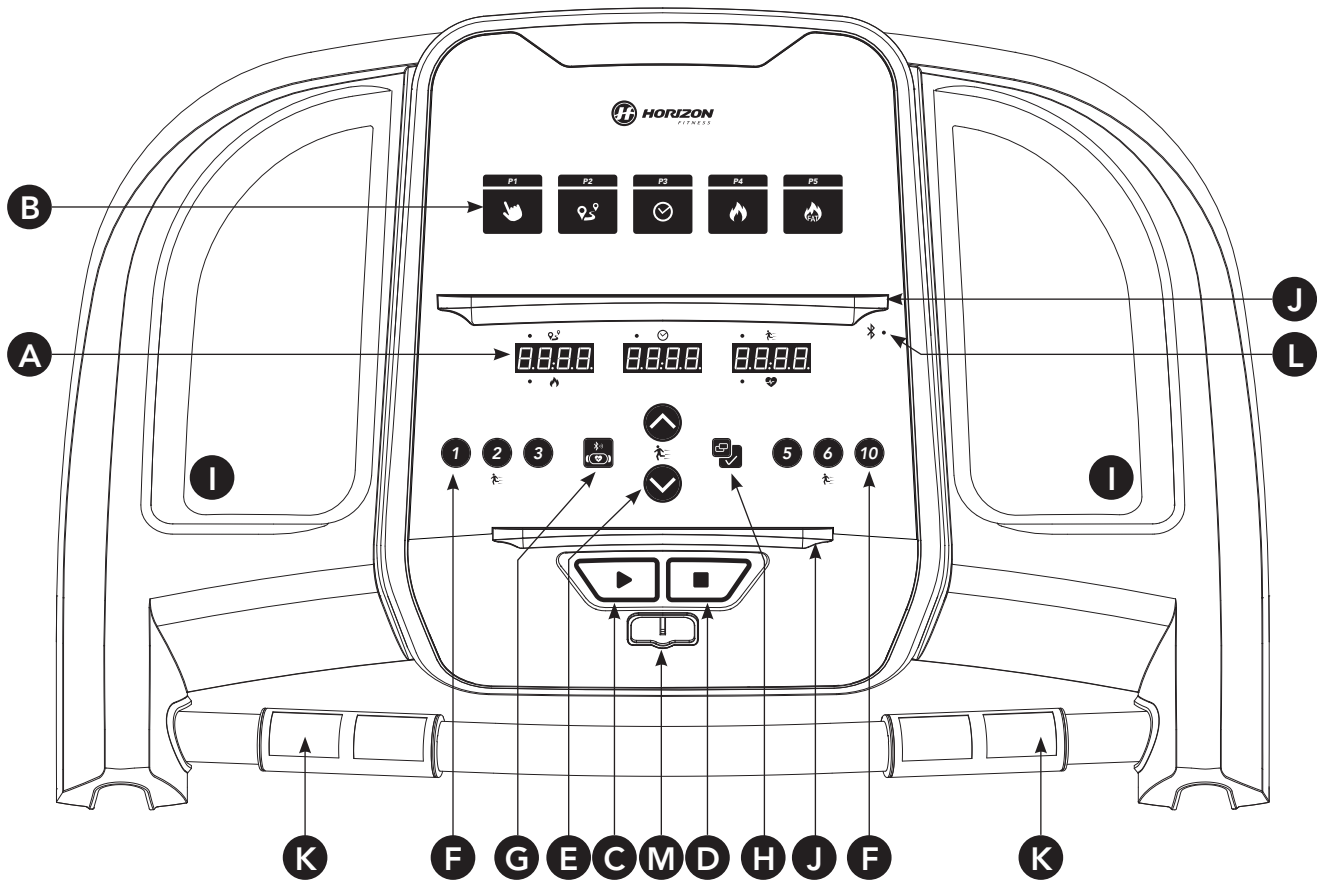
# LAUFBANDBETRIEB



In diesem Abschnitt werden die Verwendung der Laufbandkonsole und die Programmierung beschrieben.

Im Abschnitt BASISBETRIEB des LAUFBANDHANDBUCHS finden Sie die folgenden Anleitungen:

- STANDORT DES LAUFBANDS
- FUNKTION DES SICHERHEITSSCHLÜSSELS
- ZUSAMMENKLAPPEN DES LAUFBANDS
- TRANSPORT DES LAUFBANDS
- EINRICHTEN DER JUSTIERFÜSSE
- STRAFFEN DER LAUFMATTE
- ZENTRIEREN DER LAUFMATTE
- VERWENDUNG DER HERZFREQUENZFUNKTION





## BEDIENUNG DER KONSOLE






Hinweis: Die Konsolenoberfläche ist mit einer dünnen, transparenten Schutzfolie überzogen; bitte entfernen Sie diese Folie vor dem Gebrauch.

- A) **LED-ANZEIGE:** Kalorien, Zeit, Strecke, Herzfrequenz.
- B) **TRAININGSPROGRAMME:** Wird verwendet, um auf Programmcode zu verweisen, der auf der LED-Anzeige angezeigt wird.
- C) **START:** Drücken Sie diese Taste, um mit dem Training zu beginnen oder um es nach einer Pause fortzusetzen.
- D) **STOPP:** Drücken Sie diese Taste, um das Training zu pausieren oder zu beenden. Halten Sie die Taste 3 Sekunden gedrückt, um die Konsole zurückzusetzen.
- E) **GESCHWINDIGKEITSTASTEN +/-:** Erhöhen oder senken Sie die Geschwindigkeit in kleinen Schritten um jeweils 0,1 mph.
- F) **SCHNELLWAHL GESCHWINDIGKEIT:** Schnelle Erhöhung der gewünschten Geschwindigkeit.
- G) **BLUETOOTH-HERZFREQUENZ:** Drücken und halten Sie diese Taste 3 Sekunden, um eine Verbindung mit dem Bluetooth-Herzfrequenzgurt herzustellen. (APP & BT-Herzfrequenzgurt können jeweils nur einzeln verbunden werden)
- H) **EINGABE/ANZEIGE WECHSELN:** Drücken Sie diese Taste, um einen Menüpunkt auszuwählen oder beim Training andere Trainingsdaten anzuzeigen.
- I) **FLASCHENHALTER:** Zur Aufbewahrung von persönlichen Gegenständen.
- J) **TABLET-/LESEHALTERUNG:** Zum Aufstellen von Tablets oder Lesematerial.
- K) **PULSGRIFFE:** Messen die Herzfrequenz.
- L) **BLUETOOTH:** Das Licht leuchtet durchgehend, sobald die Bluetooth-Verbindung hergestellt wurde.
- M) **SICHERHEITSSCHLÜSSEL:** Schließen Sie den Sicherheitsschlüssel am Laufband an.





## ANZEIGEFENSTER

-  **KALORIEN (CALORIES):** Zeigt die bei Ihrem Training verbrannten Kalorien oder die noch zu verbrennenden Kalorien an.
-  **ZEIT (TIME):** Stellen Sie Ihre Trainingszeit und -geschwindigkeit ein. Starten Sie dann mit dem Training.
-  **STRECKE (DISTANCE):** Wird in Kilometer angezeigt. Zeigt die bisher zurückgelegte bzw. die noch verbleibende Trainingsstrecke an.
-  **GESCHWINDIGKEIT (SPEED):** Wird in Kilometer pro Stunde (KM/H) angezeigt. Zeigt an, wie schnell sich die Laufmatte bewegt.
-  **HERZFREQUENZ (HEART RATE):** Dargestellt in Herzschläge pro Minute bzw. BPM („beats per minute“). Dient der Kontrolle Ihrer Herzfrequenz (wird angezeigt, wenn beide Hände an den Pulsgriffen sind).



## ERSTE SCHRITTE

- 1) Stellen Sie sicher, dass sich keine Objekte auf der Laufmatte befinden, die den Betrieb des Geräts behindern könnten.
- 2) Verbinden Sie das Stromkabel mit der Steckdose und schalten Sie das Laufband EIN. (Der Ein-/Ausschalter befindet sich neben dem Netzkabel.)
- 3) Stellen Sie sich auf die seitlichen Trittplächen.
- 4) Befestigen Sie den Clip des Sicherheitsschlüssels an Ihrer Kleidung, und stellen Sie sicher, dass er sich beim Laufen nicht lösen kann.
- 5) Setzen Sie den Sicherheitsschlüssel in das Schlüsseloch an der Konsole ein.
- 6) Sie haben zwei Möglichkeiten, mit dem Training zu beginnen:

### A) SCHNELLSTART

Drücken Sie einfach die Taste START, um mit dem Training zu beginnen.  
Zeit, Strecke und Kalorien beginnen alle bei Null. ODER...

### B) PROGRAMM ODER ZIEL WÄHLEN

- 1) Wählen Sie Ihr PROGRAMM mit den +/- Tasten und drücken Sie EINGABE, sobald das gewünschte PROGRAMM angezeigt wird.
- 2) Passen Sie die EINSTELLUNG mit den +/- Tasten an und drücken Sie EINGABE, sobald die gewünschte EINSTELLUNG angezeigt wird.
- 3) Drücken Sie START, um mit dem Training zu beginnen.



## TRAININGSPROFILE



P1) **MANUELL (MANUAL):** Stellen Sie die Geschwindigkeit während des Trainings manuell ein.



P2) **STRECKE (DISTANCE):** Verschieben Sie die Grenzen Ihrer Leistungsfähigkeit mit 13 verschiedenen Streckentrainings. Wählen Sie aus L1: 1,6 km, L2: 3,2 km, L3: 5 km, L4: 8 km, L5: 10 km, L6: 12,8 km, L7: 15 km, L8: 16 km, L9: 20 km, L10: Halbmarathon, L11: 24 km, L12: 32 km und L13: Marathonziele. Die Startgeschwindigkeit stellen Sie selber ein.



P3) **ZEIT (TIME):** Stellen Sie ein Zeitziel ein. Sie können auch die Geschwindigkeit und Steigung zum Starten einstellen.



P4) **KALORIEN (CALORIES):** Setzen Sie sich Ziele zum Verbrennen von Kalorien. Die verbrannten Kalorien errechnen sich aus der zurückgelegten Strecke und der Geschwindigkeit.



**P5) FETTVERBRENNUNG (FAT BURN):** Dieses Training wurde zur Gewichtsabnahme entworfen. Dieses Programm fördert die Gewichtsabnahme, indem die Geschwindigkeit erhöht oder verringert wird, während Sie im Trainingsbereich der Fettverbrennung verbleiben. Umfasst 10 Stufen.

Segment		Aufwärmen		1	2	3	4	5	6	7	8
Zeit		4:00 Min.		30 Sek.	30 Sek.	30 Sek.	30 Sek.	30 Sek.	30 Sek.	30 Sek.	30 Sek.
Stufe 1	Steigung	0	0,5	1,5	1,5	1	0,5	0,5	0,5	1	1,5
	Geschwindigkeit (km/h)	0,8	2,4	3,2	4	4,8	5,6	6,4	5,6	4,8	4
Stufe 2	Steigung	0	0,5	1,5	1,5	1	0,5	1	0,5	1	1,5
	Geschwindigkeit (km/h)	0,8	3	4	4,8	5,6	6,4	7,2	6,4	5,6	4,8
Stufe 3	Steigung	0,5	1	2	2	1,5	1	1	1	1,5	2
	Geschwindigkeit (km/h)	0,8	3,7	4,8	5,6	6,4	7,2	8	7,2	6,4	5,6
Stufe 4	Steigung	0,5	1	2	2	1,5	1	1	1	1,5	2
	Geschwindigkeit (km/h)	1,6	4,1	5,6	6,4	7,2	8	8,8	8	7,2	6,4
Stufe 5	Steigung	1	1,5	2,5	2,5	2	1,5	1,5	1,5	2	2,5
	Geschwindigkeit (km/h)	1,6	4,8	6,4	7,2	8	8,8	9,6	8,8	8	7,2
Stufe 6	Steigung	1	1,5	2,5	2,5	2	1,5	1,5	1,5	2	2,5
	Geschwindigkeit (km/h)	1,6	5,1	7,2	8	8,8	9,6	10,4	9,6	8,8	8
Stufe 7	Steigung	1,5	2	3	3	2,5	2	2	2	2,5	3
	Geschwindigkeit (km/h)	2,2	6,1	8	8,8	9,6	10,4	11,2	10,4	9,6	8,8
Stufe 8	Steigung	1,5	2	3	3	2,5	2	2	2	2,5	3
	Geschwindigkeit (km/h)	2,2	6,6	8,8	9,6	10,4	11,2	12	11,2	10,4	9,6
Stufe 9	Steigung	2	2,5	3,5	3,5	3	2,5	2,5	2,5	3	3,5
	Geschwindigkeit (km/h)	2,2	7,2	9,6	10,4	11,2	12	12,8	12	11,2	10,4
Stufe 10	Steigung	2	2,5	3,5	3,5	3	2,5	2,5	2,5	3	3,5
	Geschwindigkeit (km/h)	2,2	7,8	10,4	11,2	12	12,8	13,6	12,8	12	11,2





## **SO SETZEN SIE DIE KONSOLE ZURÜCK**

Halten Sie die Taste STOPP 3 Sekunden lang gedrückt.

## **BEENDEN DES TRAININGS**

Nach Abschluss des Trainings gibt das Gerät einen Piepton aus. Ihre Trainingsinformationen werden noch 30 Sekunden lang auf der Konsole angezeigt und dann zurückgesetzt.

# BELANGRIJKE VOORZORGSMATREGELEN



## BEWAAR DEZE INSTRUCTIES

Bij het gebruik van een elektrisch product dienen altijd basisvoorzorgen te worden aangehouden, inclusief de volgende: Lees alle instructies voor u deze loopband gebruikt. De eigenaar is er verantwoordelijk voor dat alle gebruikers van deze loopband afdoende geïnformeerd worden over alle waarschuwingen en voorzorgsmaatregelen. Indien u vragen hebt na het lezen van deze gids kunt u contact opnemen met de Technische Klantenservice op het nummer vermeld op de achterzijde van de GEBRUIKERSHANDLEIDING.

Deze loopband is uitsluitend bedoeld voor gebruik binnenshuis. Gebruik deze loopband niet voor commerciële of verhuurdoeleinden, in scholen of instellingen. Indien u zich hier niet aan houdt zal de garantie komen te vervallen.



## **GEVAAR**

### **OM HET RISICO OP ELEKTRISCHE SCHOKKEN TE VERKLEINEN:**

trek altijd de stekker van de loopband uit het stopcontact direct na gebruik, voordat u het schoonmaakt, onderhoud uitvoert en onderdelen aanbrengt of verwijdert.

## **WAARSCHUWING**

### **OM HET RISICO VAN VERBRANDING, BRAND, ELEKTRISCHE SCHOKKEN OF LICHAAMELIJK LETSEL TE VERMINDEREN:**

- Gebruik de loopband nooit voor u de beveiligingsklem aan uw kleding bevestigd hebt.
- Als u pijn ervaart, met inbegrip van - maar niet beperkt tot - pijn op de borst, misselijkheid, duizeligheid of kortademigheid, stop dan direct uw training en raadpleeg uw arts voor u verder gaat.
- Houd altijd een comfortabel tempo aan tijdens de training.
- Draag geen kleding die aan een onderdeel van de loopband kan blijven haken.
- Draag altijd sportschoenen tijdens het gebruik van deze apparatuur.
- Spring niet op de loopband.
- Er mag zich nooit meer dan een persoon tegelijk op de loopband bevinden terwijl deze gebruikt wordt.
- Deze loopband mag niet worden gebruikt door personen met een gewicht dat hoger is dan gespecificeerd in de GARANTIEBEPALINGEN in de GEBRUIKERSHANDLEIDING. Indien u zich hier niet aan houdt zal de garantie komen te vervallen.
- Wacht tot de achterzijde stevig op de vloer staat voor u op het loopvlak stapt als u dit omlaag zet.
- Sluit de stroomtoevoer af voordat u het apparaat onderhoudt of verplaatst. Wrijf oppervlakken alleen schoon met zeep en een licht vochtige doek om het toestel schoon te maken; gebruik nooit oplosmiddelen. (zie ONDERHOUD)
- Laat de loopband nooit onbeheerd achter wanneer het is aangesloten. Trek de stekker uit het stopcontact wanneer u het niet gebruikt en voordat u onderdelen aan- of afbouwt.
- Gebruik het apparaat niet onder een deken of kussen. Overmatige verhitting kan brand, een elektrische schok of persoonlijk letsel veroorzaken.
- Sluit dit trainingsapparaat alleen aan op een geaard stopcontact.



# WAARSCHUWING


## OM HET RISICO VAN VERBRANDING, BRAND, ELEKTRISCHE SCHOKKEN OF LICHAAMELIJK LETSEL TE VERMINDEREN:

- Huisdieren of kinderen jonger dan 13 jaar mogen NOOIT dichterbij dan 3 meter bij de loopband komen.
- Kinderen jonger dan 13 jaar mogen de loopband NOOIT gebruiken.
- Kinderen ouder dan 13 of gehandicapte mensen mogen de loopband niet gebruiken zonder toezicht van een volwassene.
- Gebruik de loopband uitsluitend zoals beoogd, en zoals omschreven in de trainingsgids en gebruikshandleiding.
- Gebruik geen ander toebehoren dat niet aanbevolen is door de fabrikant. Toebehoren kunnen letsel veroorzaken.
- Gebruik de loopband nooit als het netsnoer of de stekker beschadigd is, als het niet goed werkt, als het gevallen of beschadigd is, of ondergedompeld is in water. Breng de loopband terug naar een servicecentrum voor onderzoek en reparatie.
- Houd het netsnoer uit de buurt van warmtebronnen. Draag dit apparaat niet aan het netsnoer en gebruik het netsnoer niet als handvat.
- Gebruik de loopband nooit als de luchtopening geblokkeerd is. Houd de luchtopening schoon en vrij van stof, haren en dergelijke.
- Laat nooit voorwerpen in een opening vallen en steek nooit voorwerpen in openingen om elektrische schokken te voorkomen.
- Niet gebruiken waar aerosols (spuitbussen) worden gebruikt of als zuurstof wordt toegediend.
- Om het apparaat uit te schakelen zet u alle bedieningselementen in de uit-stand en trekt u de stekker uit het stopcontact.
- Gebruik de loopband niet op een locatie zonder temperatuurcontrole, zoals - maar niet beperkt tot - garages, veranda's, zwembadruimtes, badkamers, carports of buiten. Indien u zich hier niet aan houdt zal de garantie komen te vervallen.
- Deze loopband is uitsluitend bedoeld voor gebruik binnenshuis. Gebruik deze loopband niet voor commerciële of verhuurdoeleinden, in scholen of instellingen. Indien u zich hier niet aan houdt zal de garantie komen te vervallen.
- Verwijder afdekkingen van de console alleen als u hiervoor instructies hebt gekregen van de technische klantenservice. Onderhoud mag alleen worden uitgevoerd door een bevoegde servicemonteur.

Het is essentieel dat uw loopband alleen binnen gebruikt wordt, in een klimaatgecontroleerde ruimte. Als uw loopband is blootgesteld aan koudere temperaturen of een vochtige omgeving wordt het ten zeerste aangeraden om de loopband voor het eerste gebruik op kamertemperatuur te brengen. Indien u dit niet doet kan dit leiden tot voortijdige elektronische storingen.



## AARDINGSINSTRUCTIES



Dit product moet geaard zijn. Als de loopband niet goed werkt of defect raakt, biedt de aarding de minste weerstand voor elektrische stroom om het risico van elektrische schokken te beperken. Dit product is uitgerust met een netsnoer met een aardekabel en een gearde stekker. De stekker moet worden aangesloten op een geschikt stopcontact dat correct is geïnstalleerd en geaard in overeenstemming met alle plaatselijke voorschriften.

## GEVAAR

Een ondeskundige aansluiting van de aardleiding van de apparatuur kan elektrische schokken tot gevolg hebben. Neem contact op met een gekwalificeerde elektricien of servicemonteur als u twijfelt of het product correct is geaard. Pas de stekker die bij het product is geleverd niet aan. Als de stekker niet in het stopcontact past, dient u een geschikt stopcontact te laten installeren door een gekwalificeerde elektricien.

Zorg ervoor dat het product is aangesloten op een stopcontact met dezelfde configuratie als de stekker. Er mag geen adapter worden gebruikt met dit product.

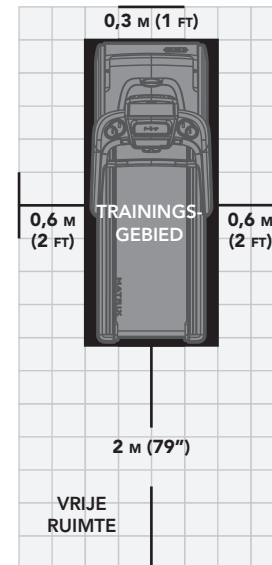
Dit product dient gebruikt te worden op een eigen circuit. Om vast te stellen of er sprake is van een eigen circuit haalt u de stroom van dat circuit af en kijkt u of er andere toestellen uitvallen. Als dit het geval is dient u die toestellen op een ander circuit aan te sluiten. Let op: Er zijn meestal meerdere stopcontacten aangesloten op één circuit.

## WAARSCHUWING

Sluit dit trainingsapparaat alleen aan op een geaard stopcontact.

Gebruik het product nooit met een beschadigd netsnoer of een beschadigde stekker, zelfs niet als het nog correct werkt. Gebruik het product nooit als het beschadigd lijkt of in water is ondergedompeld. Neem contact op met de technische klantenservice voor vervanging of reparatie.

Plaats de loopband op een vlakke ondergrond. Aan de voorkant van het apparaat moet er 30 cm vrije ruimte zijn voor het netsnoer. Houd een vrije zone aan achter het apparaat van ten minste de breedte van de loopband, en ten minste 79" (2 meter) lang. Deze zone dient vrij van obstakels te zijn zodat de gebruiker vrije toegang heeft tot de machine. In geval van nood plaatst u beide handen op de zijarmsteunen om uzelf staande te houden en plaatst u uw voeten op de zijrails. Voor gemakkelijke toegang is het aanbevolen om aan beide zijden van de loopband een vrij toegankelijke ruimte van ten minste 60 cm aan te houden zodat gebruikers van beide zijden toegang tot de loopband hebben. Plaats de loopband niet zodanig dat ventilatie- of luchttoevoeropeningen geblokkeerd worden. De loopband mag niet in een garage, op een overdekt terras, dicht bij water of buiten worden opgesteld.





# MONTAGE



## ⚠ WAARSCHUWING

Er zijn verschillende stappen tijdens het montageproces waarbij speciale aandacht vereist is. Het is zeer belangrijk dat u de montage-instructies goed opvolgt en dat u alle onderdelen goed vastdraait. Als de montage-instructies niet goed gevolgd worden zouden onderdelen van de loopband niet goed vastgedraaid kunnen zijn; deze zullen los lijken en kunnen irritante geluiden veroorzaken. Om schade aan de loopband te voorkomen dienen de montage-instructies te worden doorgenomen en corrigerende maatregelen te worden genomen.

Zoek voor u verder gaat het serienummer van de loopband, dat zich bevindt op een witte barcode-sticker in de buurt van de aan-/uitschakelaar, en voer het hieronder in.

VUL UW SERIENUMMER EN MODELNAAM IN DE ONDERSTAANDE VAKKEN IN:

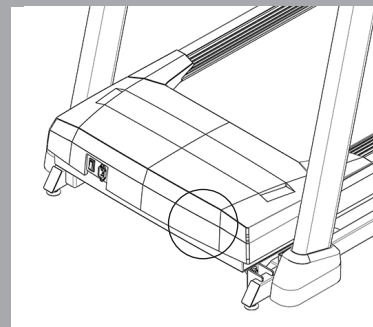
SERIENUMMER:

TM

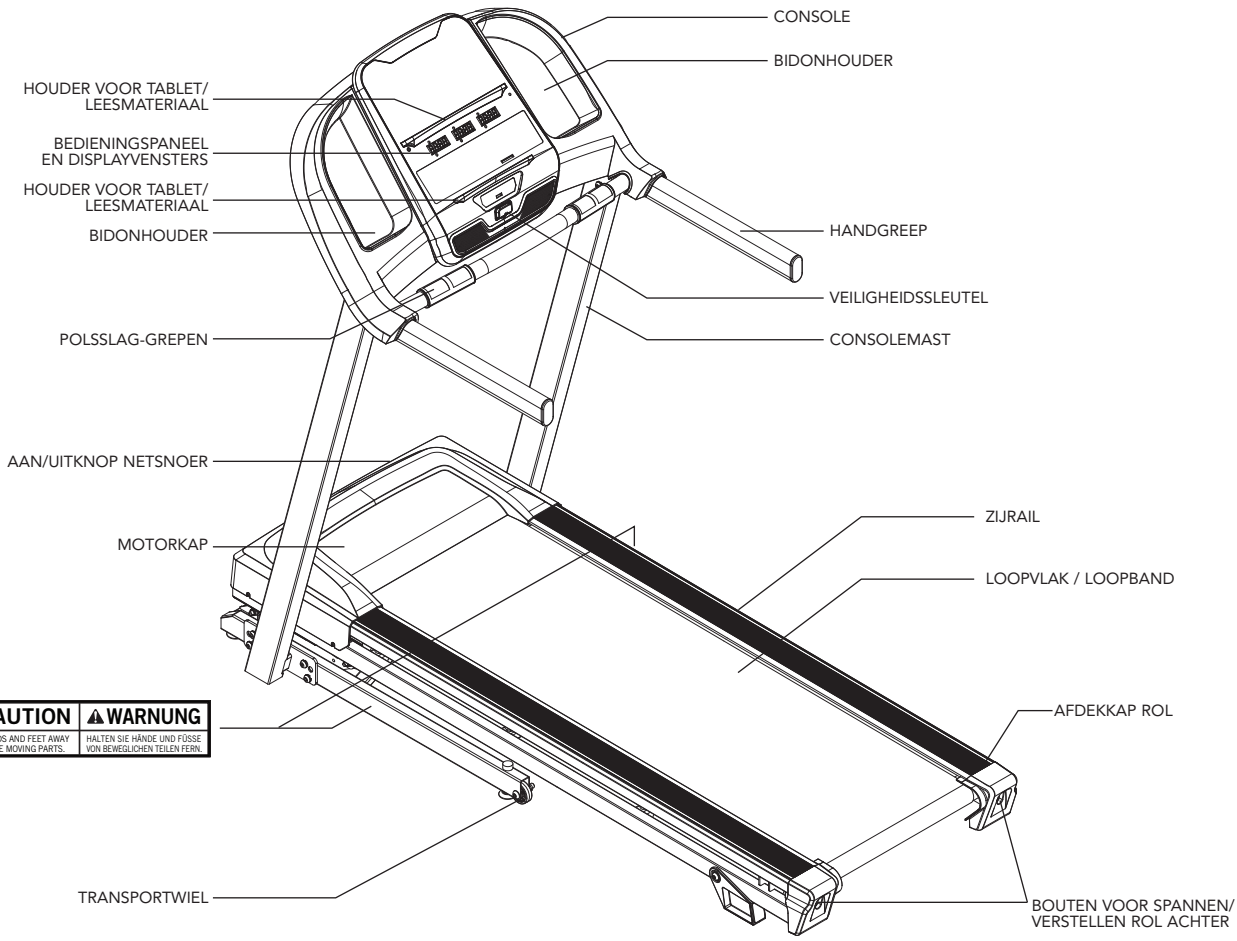
MODELNAAM: **HORIZON**

**LOOPBAND**

### LOCATIE SERIENUMMER



» Geef het SERIENUMMER en de MODELNAAM op als u belt voor een serviceafspraak.



<b>CAUTION</b>	<b>WARNUNG</b>
KEEP HANDS AND FEET AWAY FROM THE MOVING PARTS.	HALTEN SIE HÄNDE UND FÜSSE VON BEWEGLICHEN TEILEN FEERN!

## MEEGELEVERD GEREEDSCHAP:

- 5 mm L-sleutel
- 6 mm T-sleutel

## MEEGELEVERDE ONDERDELEN:

- 1 consoleset
- 2 consolemasten
- 1 hardware-kit
- 1 veiligheidssleutel
- 1 fles siliconengel  
(voor 2 toepassingen)
- 1 netsnoer
- 2 handgrepen



## HULP NODIG?

Als u vragen hebt  
of onderdelen mist,  
kunt u contact opnemen met  
de Technische Klantenservice.

# VOOR MONTAGE

## WAARSCHUWING

PROBEER DE LOOPBAND NIET OP TE TILLEN! Verplaats of til de loopband niet uit de verpakking tot dit in de montageinstructies wordt gespecificeerd. U mag de plastic verpakking van de consolemasten verwijderen.

## UITPAKKEN

Zet de doos van de loopband op een vlakke ondergrond. We raden u aan uw vloer ergens mee te beschermen. Wees VOORZICHTIG bij het hanteren en transporteren van deze unit. Open de doos nooit als deze op zijn kant ligt. Deze unit niet optillen of transporteren als de transportbanden eenmaal verwijderd zijn, tenzij het toestel geheel gemonteerd en rechtop opgeklapt is, met de vergrendeling vast. Pak deze unit uit en monteer deze waar hij gebruikt gaat worden. De loopband in de verpakking is uitgerust met hogedrukschokken en kan opspringen bij verkeerd gebruik. Pak nooit enig deel van het hellingsframe vast om de loopband op te tillen of te verplaatsen.

## WAARSCHUWING

HET NIET OPVOLGEN VAN DEZE INSTRUCTIES KAN TOT LETSEL LEIDEN!

LET OP: Controleer tijdens iedere stap van de montage of ALLE bouten en moeren op de juiste plek zitten en deels zijn aangedraaid voor u WELKE bout dan ook volledig vastdraait.

LET OP: het aanbrengen van een beetje vet kan helpen bij de installatie van onderdelen. Wij raden u aan hiervoor lithium-fietsvet te gebruiken.



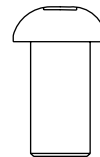
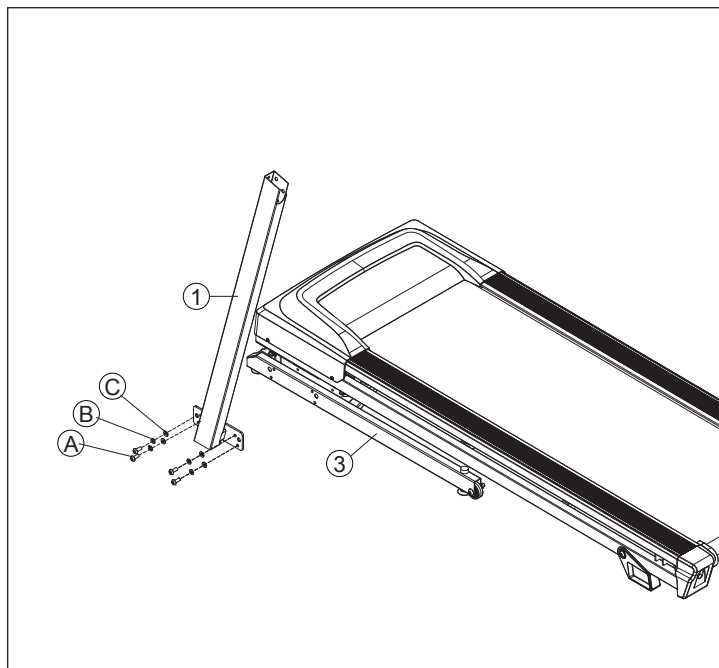
# MONTAGE STAP 1



MONTAGEMATERIAAL VOOR STAP 1			
ONDERDEEL	TYPE	BESCHRIJVING	AANTAL
A	BOUT	M8X1.25PX20L	4
B	VEERRING	8.2X15.4X2T	4
C	PLATTE RING	8.4X15.5X1.6T	4

- A Open **HARDWARE (MONTAGEMATERIAAL) VOOR STAP 1.**
- B Bevestig de **LINKER CONSOLEMAST (1)** aan het **BASISFRAME (3)** met 4 **BOLTS (A)**, 4 **BOUTEN (A)**, 4 **VEERRINGEN (B)** en 4 **PLATTE RINGEN (C)**.

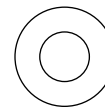
LET OP: Draai de bouten niet volledig vast tot **STAP 4**.



A



B

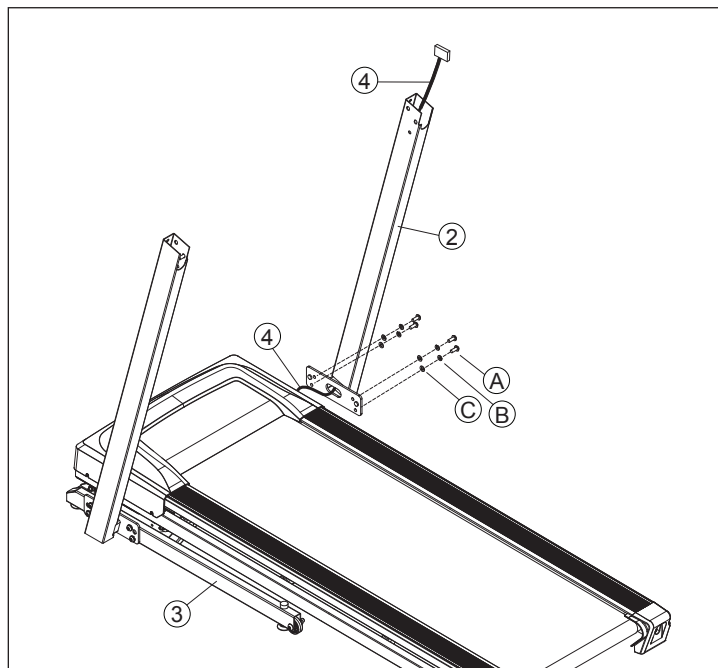


C



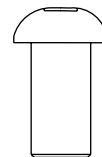
# MONTAGE STAP 2

MONTAGEMATERIAAL VOOR STAP 2			
ONDERDEEL	TYPE	BESCHRIJVING	AANTAL
A	BOUT	M8X1.25PX20L	4
B	VEERRING	8.2X15.4X2T	4
C	PLATTE RING	8.4X15.5X1.6T	4



- A Open **HARDWARE (MONTAGEMATERIAAL) VOOR STAP 2**.
- B Bevestig de **GELEIDERDRAAD** aan de onderkant van de **CONSOLEKABEL (4)**. Trek de **GELEIDEDRAAD** door de **RECHTER CONSOLEMAST (2)**. De bovenzijde van de **CONSOLEKABEL (4)** zou zich bovenop de mast moeten bevinden nadat u de geleidedraad door de mast getrokken hebt.
- C Bevestig de **RECHTER CONSOLEMAST (2)** aan het **BASISFRAME (3)** met **4 BOUTEN (A)**, **4 VEERRINGEN (B)** en **4 PLATTE RINGEN (C)**.

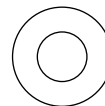
LET OP: Draai de bouten niet volledig vast tot **STAP 4**.



A



B



C

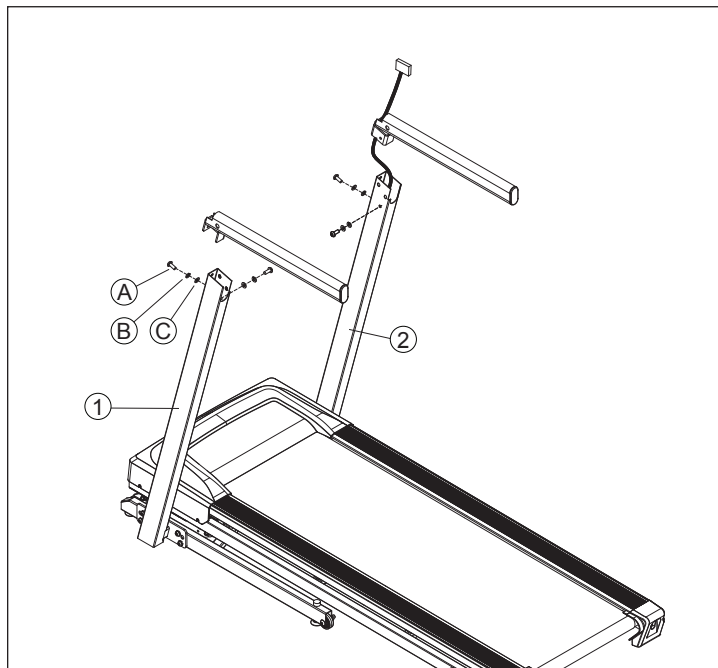


# MONTAGE STAP 3



## MONTAGEMATERIAAL VOOR STAP 3

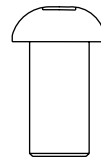
ONDERDEEL	TYPE	BESCHRIJVING	AANTAL
A	BOUT	M8X1.25PX20L	4
B	VEERRING	8.2X15.4X2T	4
C	PLATTE RING	8.4X15.5X1.6T	4



LET OP: Zorg dat er geen draden beklemd raken bij de montage van de console.

- A Trek de **GELEIDEDRAAD** door de onderkant van de **HANDGREEP**.
- B Open **HARDWARE VOOR STAP 3**.
- C Bevestig de **HANDGREEP** aan de **LINKER CONSOLEMAST (2)** met **2 BOUTEN (A)**, **2 VEERRINGEN (B)** en **2 PLATTE RINGEN (C)**.
- D Doe hetzelfde bij de andere **HANDGREEP**.

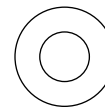
LET OP: Draai de bouten niet volledig vast tot **STAP 5**.



A



B

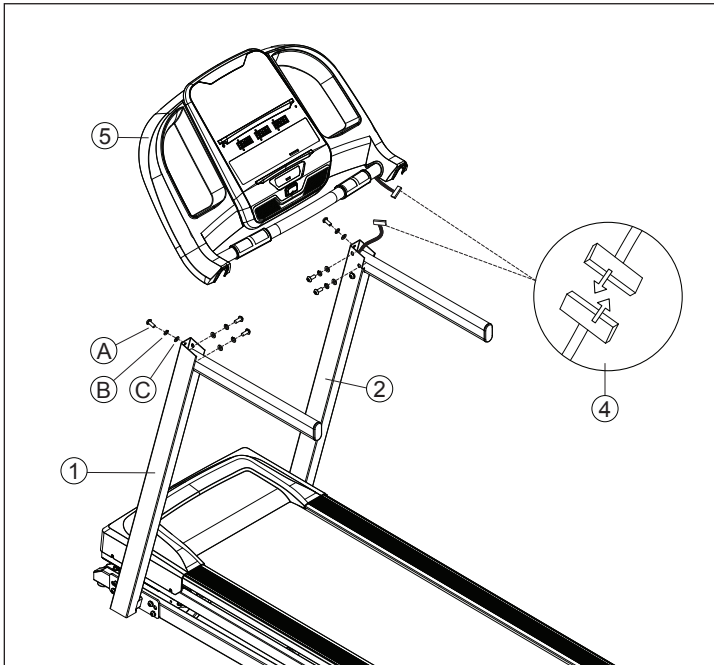


C

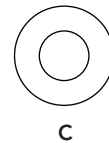
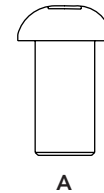
# MONTAGE STAP 4



MONTAGEMATERIAAL VOOR STAP 4			
ONDERDEEL	TYPE	BESCHRIJVING	AANTAL
A	BOUT	M8X1.25PX20L	6
B	VEERRING	8.2X15.4X2T	6
C	PLATTE RING	8.4X15.5X1.6T	6



- A Open **HARDWARE VOOR STAP 4**.
- B Zet de **CONSOLE (5)** voorzichtig op de **CONSOLEMASTEN (1&2)**. Bevestig eerst de **LINKERZIJDE** met **3 BOUTEN (A)**, **3 VEERRINGEN (B)** en **3 PLATTE RINGEN (C)**.
- C De **CONSOLEKABELS (4)** zijn weggestopt in de **CONSOLEMAST (2)**. Gebruik de geleidedraad om de **CONSOLEKABEL (4)** voorzichtig uit de **CONSOLEMAST (2)** te trekken. Maak de **GELEIDEDRAAD** los en gooi deze weg. Sluit de **CONSOLEKABELS (4)** aan en stop ze voorzichtig weg in de mast om schade te vermijden.
- D Maak de **RECHTERZIJDE** van de **CONSOLE (5)** vast met behulp van **3 BOUTEN (A)**, **3 VEERRINGEN (B)** en **3 PLATTE RINGEN (C)**.



# MONTAGE STAP 5



**MONTAGE VOLTOOID!**

# BEDIENING LOOPBAND



Dit hoofdstuk geeft uitleg over het gebruik van de console en programmering van de loopband.

Het hoofdstuk BASISBEDIENING in de LOOPBANDGIDS omvat instructies voor het volgende:

- PLAATSING VAN DE LOOPBAND
- GEBRUIK VAN DE VEILIGHEIDSSLEUTEL
- DE LOOPBAND INKLAPPEN
- DE LOOPBAND VERPLAATSEN
- DE LOOPBAND WATERPAS ZETTEN
- DE LOOPBAND AANSPANNEN
- DE LOOPBAND CENTREREN
- DE HARTSLAG-FUNCTIE GEBRUIKEN



## BEDIENING CONSOLE






Let op: Op de afdekking van de console bevindt zich een dunne beschermlaag van doorzichtig plastic die vóór gebruik moet worden verwijderd.

- A) **LED-DISPLAY:** Calorieën, Tijd, Afstand, Snelheid, Hartslag.
- B) **TRAININGSPROGRAMMA'S:** gebruikt om naar programmacode te verwijzen die op het LED-display wordt weergegeven.
- C) **START:** indrukken om te beginnen met sporten, uw training te starten of te hervatten na een pauze.
- D) **STOP:** indrukken om uw training te pauzeren/stoppen. Druk de knop 3 seconden in om de console te resetten.
- E) **SNELHEID +/- KNOPPEN:** om de snelheid in kleine stapjes aan te passen (stapjes van 0,1 mph).
- F) **SNELHEID QUICK KEYS:** om de gewenste snelheid sneller in te stellen.
- G) **BLUETOOTH-HARTSLAG:** houd 3 seconden ingedrukt om verbinding te maken met de Bluetooth-hartslagband.  
(APP en BT hartslagband kunnen niet tegelijkertijd verbinding maken)
- H) **ENTER/WISSELEN VAN DISPLAY:** indrukken om item te selecteren/indrukken om tijdens de training de displayfeedback aan te passen.
- I) **WATERFLESVAKKEN:** voor persoonlijk trainingsmateriaal.
- J) **HOUDER VOOR TABLET/LEESMATERIAAL:** voor tablet of leesmateriaal.
- K) **HARTSLAG POLSSLAG-GREPEN:** om de hartslag te meten.
- L) **BLUETOOTH:** het lampje brandt constant zodra de Bluetooth is verbonden.
- M) **VEILIGHEIDSSLEUTEL:** de veiligheidssleutel moet worden aangesloten om de loopband aan te zetten.





## DISPLAYVENSTERS

-  **CALORIEËN:** Totaal aantal calorieën dat u verbrand hebt of nog moet verbranden tijdens uw training.
-  **TIJD:** Stel uw trainingstijd en snelheid in. Begin vervolgens met de training.
-  **AFSTAND:** Weergegeven in kilometers. Geeft de afgelegde afstand of de nog af te leggen afstand tijdens uw workout weer.
-  **SNELHEID:** Getoond als KPH, kilometer per uur. Geeft aan hoe snel uw wandel- of loopvlak beweegt.
-  **HARTSLAG:** Wordt weergegeven als BPM (beats per minute - aantal slagen per minuut). Wordt gebruikt om uw hartslag te controleren (wordt weergegeven als contact gemaakt wordt met beide polsslag-grepen).





## AAN DE SLAG

- 1) Controleer of er geen objecten op de band geplaatst zijn die de bewegingen van de loopband belemmeren.
- 2) Steek de stekker in het stopcontact en zet de loopband AAN. (De AAN-/UITKNOP bevindt zich naast het netsnoer.)
- 3) Ga op de zijrails van de loopband staan.
- 4) Bevestig de veiligheidssleutelclip aan een kledingstuk en controleer of deze goed vastzit en niet losgaat tijdens het gebruik.
- 5) Plaats de veiligheidssleutel in het sleutelgat in de console.
- 6) U heeft twee opties om uw training te beginnen:

### A) SNELLE START

Druk gewoon op de START knop om met uw training te beginnen.  
Tijd, afstand en calorieën zullen allemaal optellen vanaf nul. OF..

### B) SELECTEER EEN TRAINING OF DOEL

- 1) Selecteer uw PROGRAMMA met de +/-knoppen en druk op ENTER als het gewenste PROGRAMMA weergegeven wordt.
- 2) Pas de INSTELLING aan met de +/-knoppen en druk op ENTER als de gewenste INSTELLING weergegeven wordt.
- 3) Druk op START om te beginnen.



## TRAININGSPROFIELEN

P1



P1) **HANDMATIG:** Pas uw snelheid handmatig aan tijdens uw training.

P2



P2) **AFSTAND:** Push uzelf en ga een stap verder tijdens uw training met 13 afstandsworkouts. Kies uit L1: 1,6 km, L2: 3,2 km, L3: 5 km, L4: 8 km, L5: 10 km, L6: 12,8 km, L7: 15 km, L8: 16 km, L9: 20 km, L10: halve marathon, L11: 24 km, L12: 32 km en L13: marathon-doelen. De gebruiker stelt de startsnelheid in.

P3



P3) **TIJD:** Stel doelen voor Tijd in. De gebruiker kan de snelheid en de helling instellen om te starten.

P4



P4) **CALORIEËN:** Stel uzelf een doel om calorieën te verbranden. De verbrande calorieën worden berekend met behulp van afstand en snelheid.



**P5) VETVERBRANDING:** Een training specifiek ontworpen voor vetverbranding. Bevordert gewichtsverlies door de snelheid te verhogen en te verlagen, terwijl u in de vetverbrandingszone blijft. Omvat 10 niveaus.

Segment		Warming-up		1	2	3	4	5	6	7	8
Tijd		4:00 minuten		30 sec	30 sec	30 sec	30 sec	30 sec	30 sec	30 sec	30 sec
Niveau 1	Helling	0	0,5	1,5	1,5	1	0,5	0,5	0,5	1	1,5
	Snelheid (kph)	0,8	2,4	3,2	4	4,8	5,6	6,4	5,6	4,8	4
Niveau 2	Helling	0	0,5	1,5	1,5	1	0,5	1	0,5	1	1,5
	Snelheid (kph)	0,8	3	4	4,8	5,6	6,4	7,2	6,4	5,6	4,8
Niveau 3	Helling	0,5	1	2	2	1,5	1	1	1	1,5	2
	Snelheid (kph)	0,8	3,7	4,8	5,6	6,4	7,2	8	7,2	6,4	5,6
Niveau 4	Helling	0,5	1	2	2	1,5	1	1	1	1,5	2
	Snelheid (kph)	1,6	4,1	5,6	6,4	7,2	8	8,8	8	7,2	6,4
Niveau 5	Helling	1	1,5	2,5	2,5	2	1,5	1,5	1,5	2	2,5
	Snelheid (kph)	1,6	4,8	6,4	7,2	8	8,8	9,6	8,8	8	7,2
Niveau 6	Helling	1	1,5	2,5	2,5	2	1,5	1,5	1,5	2	2,5
	Snelheid (kph)	1,6	5,1	7,2	8	8,8	9,6	10,4	9,6	8,8	8
Niveau 7	Helling	1,5	2	3	3	2,5	2	2	2	2,5	3
	Snelheid (kph)	2,2	6,1	8	8,8	9,6	10,4	11,2	10,4	9,6	8,8
Niveau 8	Helling	1,5	2	3	3	2,5	2	2	2	2,5	3
	Snelheid (kph)	2,2	6,6	8,8	9,6	10,4	11,2	12	11,2	10,4	9,6
Niveau 9	Helling	2	2,5	3,5	3,5	3	2,5	2,5	2,5	3	3,5
	Snelheid (kph)	2,2	7,2	9,6	10,4	11,2	12	12,8	12	11,2	10,4
Niveau 10	Helling	2	2,5	3,5	3,5	3	2,5	2,5	2,5	3	3,5
	Snelheid (kph)	2,2	7,8	10,4	11,2	12	12,8	13,6	12,8	12	11,2





## DE CONSOLE RESETTEN

Houd de STOP-knop 3 seconden vast.

## UW TRAINING BEËINDIGEN

Als u uw training voltooid heeft zal de unit piepen. Uw trainingsinformatie wordt gedurende 30 seconden weergegeven op de console, en wordt dan gereset.

# PRÉCAUTIONS IMPORTANTES



## CONSERVEZ CES INSTRUCTIONS

Lors de l'utilisation d'un produit électrique, des précautions de base doivent toujours être respectées, notamment les suivantes : Lisez toutes les instructions avant d'utiliser ce tapis de course. Il incombe au propriétaire de s'assurer que tous les utilisateurs de ce tapis de course sont correctement informés de tous les avertissements et de toutes les précautions. Si vous avez des questions après avoir lu ce guide, contactez le support technique au numéro indiqué sur le panneau arrière du MANUEL DU PROPRIÉTAIRE.

Ce tapis de course est destiné à un usage domestique uniquement. N'utilisez pas ce tapis de course dans un environnement commercial, locatif, scolaire ou institutionnel. Si vous ne vous conformez pas à ces instructions, la garantie sera annulée.



# DANGER

## POUR RÉDUIRE LE RISQUE DE CHOC ÉLECTRIQUE :

Débranchez toujours le tapis de course de la prise de courant immédiatement après l'avoir utilisé et avant de le nettoyer, d'effectuer des opérations de maintenance et de mettre ou d'enlever des pièces.



# AVERTISSEMENT

## POUR RÉDUIRE LE RISQUE DE BRÛLURE, D'INCENDIE, DE CHOC ÉLECTRIQUE OU DE BLESSURE :

- N'utilisez jamais le tapis de course avant de fixer la pince d'attache de sécurité à vos vêtements.
- Si vous ressentez une douleur quelconque, notamment des douleurs à la poitrine, des nausées, des étourdissements ou un essoufflement, arrêtez immédiatement de faire l'exercice et consultez votre médecin avant de continuer.
- Lors de l'exécution de tout exercice, maintenez toujours un rythme confortable.
- Ne portez pas de vêtements susceptibles de se coincer sur une partie quelconque du tapis de course.
- Portez toujours des chaussures de sport lorsque vous utilisez cet équipement.
- Ne sautez pas sur le tapis de course.
- À aucun moment, plus d'une personne ne doit être sur le tapis de course pendant son fonctionnement.
- Ce tapis de course ne doit pas être utilisé par des personnes pesant plus que le poids spécifié dans la SECTION GARANTIE DU MANUEL DU PROPRIÉTAIRE. Si vous ne vous conformez pas à ces instructions, la garantie sera annulée.
- Lorsque vous abaissez la plateforme du tapis de course, attendez que les pieds arrière soient posés fermement sur le sol avant de monter sur la plateforme.
- Débranchez toutes les sources d'alimentation avant de réparer ou de déplacer l'équipement. Pour nettoyer, frottez les surfaces avec du savon et un chiffon légèrement humide ; n'utilisez jamais de solvants. (Voir MAINTENANCE)
- Le tapis de course ne doit jamais être laissé sans surveillance lorsqu'il est branché. Débranchez-le de la prise de courant lorsqu'il n'est pas utilisé, et avant de mettre ou de retirer des pièces.
- Ne pas utiliser sous une couverture ou un oreiller. Une surchauffe peut se produire et provoquer un incendie, une électrocution ou des blessures.
- Connectez ce produit d'exercice uniquement à une prise correctement mise à la terre.

# AVERTISSEMENT


## POUR RÉDUIRE LE RISQUE DE BRÛLURE, D'INCENDIE, DE CHOC ÉLECTRIQUE OU DE BLESSURE :

- À aucun moment, les animaux de compagnie et les enfants de moins de 13 ans ne doivent s'approcher du tapis de course à moins de 3 mètres.
- Les enfants de moins de 13 ans ne doivent à aucun moment utiliser le tapis de course.
- Les enfants de plus de 13 ans ou les personnes handicapées ne doivent pas utiliser le tapis de course sans la surveillance d'un adulte.
- Utilisez le tapis de course uniquement pour l'usage prévu, tel que décrit dans le guide du tapis de course et le manuel du propriétaire.
- N'utilisez pas d'autres accessoires non recommandés par le fabricant. Les accessoires peuvent causer des blessures.
- N'utilisez jamais le tapis de course si son cordon ou sa fiche est endommagé(e), si elle ne fonctionne pas correctement ou si elle a été endommagée, jetée par terre ou immergée dans l'eau. Renvoyez le tapis de course à un centre de service pour examen et réparation.
- Tenez le cordon d'alimentation à l'écart des surfaces chauffées. Ne transportez pas cet appareil en le tenant par son cordon d'alimentation et n'utilisez pas le cordon comme poignée.
- N'utilisez jamais le tapis de course avec l'ouverture d'air bloquée. Gardez l'ouverture d'air propre et exempte de peluches, de cheveux et autres crasses.
- Pour éviter les chocs électriques, ne laissez jamais tomber ni n'insérez aucun objet dans une ouverture.
- Ne l'utilisez pas lorsque des aérosols (sprays) sont utilisés ou lorsque de l'oxygène est administré.
- Pour la déconnecter, mettez toutes les commandes en position d'arrêt, puis retirez la fiche de la prise.
- N'utilisez pas le tapis de course dans un endroit où la température n'est pas contrôlée, comme par exemple, les garages, les vérandas, les salles de billard, les salles de bain, les abris de voiture ou à l'extérieur. Si vous ne vous conformez pas à ces instructions, la garantie sera annulée.
- Ce tapis de course est destiné à un usage domestique uniquement. N'utilisez pas ce tapis de course dans un environnement commercial, locatif, scolaire ou institutionnel. Si vous ne vous conformez pas à ces instructions, la garantie sera annulée.
- Ne retirez pas les couvercles de la console, sauf si l'assistance technique client vous l'a demandé. L'entretien ne doit être effectué que par un technicien de service autorisé.

Il est essentiel que votre tapis de course ne soit utilisé qu'à l'intérieur, dans une pièce climatisée. Si votre tapis de course a été exposé à des températures plus froides ou à des climats très humides, il est fortement recommandé de réchauffer le tapis de course jusqu'à la température ambiante avant la première utilisation. Dans le cas contraire, cela peut entraîner une défaillance électronique prématurée.



## INSTRUCTIONS DE LA MISE À LA TERRE



Ce produit doit être mis à la terre. En cas de dysfonctionnement ou de panne, la mise à la terre fournit un chemin de moindre résistance au courant électrique afin de réduire le risque de choc électrique. Ce produit est équipé d'un cordon muni d'un conducteur de mise à la terre de l'équipement et d'une prise de terre. La fiche doit être branchée dans une prise appropriée qui est correctement installée et mise à la terre conformément à tous les codes et règlements locaux.

### DANGER

Une mauvaise connexion du conducteur de mise à la terre de l'équipement peut entraîner un risque de choc électrique. Consultez un électricien qualifié ou un réparateur si vous avez des doutes quant à la mise à la terre du produit. Ne modifiez pas la fiche fournie avec le produit. Si elle ne correspond pas à la prise, faites installer une prise adéquate par un électricien qualifié.

Assurez-vous que le produit est connecté à une prise ayant la même configuration que la fiche. Aucun adaptateur ne doit être utilisé avec ce produit.

Ce produit doit être utilisé sur un circuit dédié. Pour déterminer si vous êtes sur un circuit dédié, mettez ce circuit hors tension et observez si un autre appareil manque de courant. Si tel est le cas, déplacez les périphériques sur un autre circuit. Remarque : Il y a généralement plusieurs prises sur un circuit.

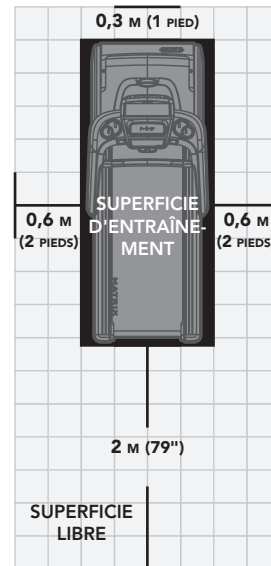
### AVERTISSEMENT

Connectez ce produit d'exercice uniquement à une prise correctement mise à la terre.

N'utilisez jamais le produit avec un cordon ou une prise endommagé(e), même s'il fonctionne correctement. N'utilisez jamais le produit s'il semble endommagé ou s'il a été immergé dans l'eau. Contactez l'assistance technique client pour un remplacement ou une réparation.



Placez le tapis de course sur une surface stable et de niveau. Il doit y avoir trente centimètre d'espace libre devant le tapis de course pour le cordon d'alimentation. Laissez une zone dégagée derrière le tapis de course d'une longueur minimale de la largeur du tapis de course et d'au moins 2 mètres (79"). Cette zone doit être exempte de toute obstruction et fournir à l'utilisateur une voie de sortie dégagée de la machine. En cas d'urgence, placez vos deux mains sur les accoudoirs pour vous tenir debout et placez vos pieds sur les rails latéraux. Pour faciliter l'accès, vous devez disposer d'un espace accessible de préférence des deux côtés du tapis de course d'au moins 60 cm (2 pieds) afin de permettre à un utilisateur d'avoir accès au tapis de course d'un côté ou de l'autre. Ne placez pas le tapis de course dans un endroit où il serait susceptible de bloquer les ouvertures d'aération ou de ventilation. Le tapis de course ne doit pas être situé dans un garage, sur une terrasse couverte, près de l'eau ou à l'extérieur.





# MONTAGE



## ⚠ AVERTISSEMENT

Une attention particulière doit être accordée à plusieurs sections pendant le montage. Il est très important de suivre correctement les instructions de montage et de s'assurer que toutes les pièces sont bien serrées. Si les instructions d'assemblage ne sont pas suivies correctement, il se pourrait que certaines pièces du tapis de course ne soient pas serrées correctement, semblent lâches et provoquent des bruits agaçants. Pour éviter d'endommager le tapis de course, les instructions de montage doivent être vérifiées et des mesures correctives doivent être prises.

Avant de commencer, trouvez le numéro de série du tapis de course sur l'autocollant blanc à codes-barres près de l'interrupteur marche / arrêt et du cordon d'alimentation, puis entrez-le dans l'espace prévu à cet effet.

ENTREZ VOTRE NUMÉRO DE SÉRIE ET LE NOM DE VOTRE MODÈLE DANS LES CASES CI-DESSOUS :

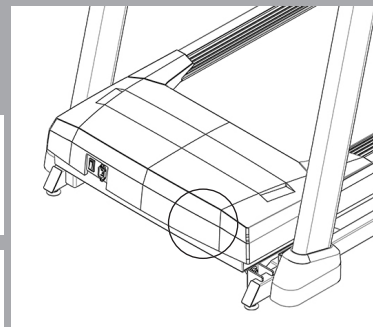
NUMÉRO DE SÉRIE :

TM

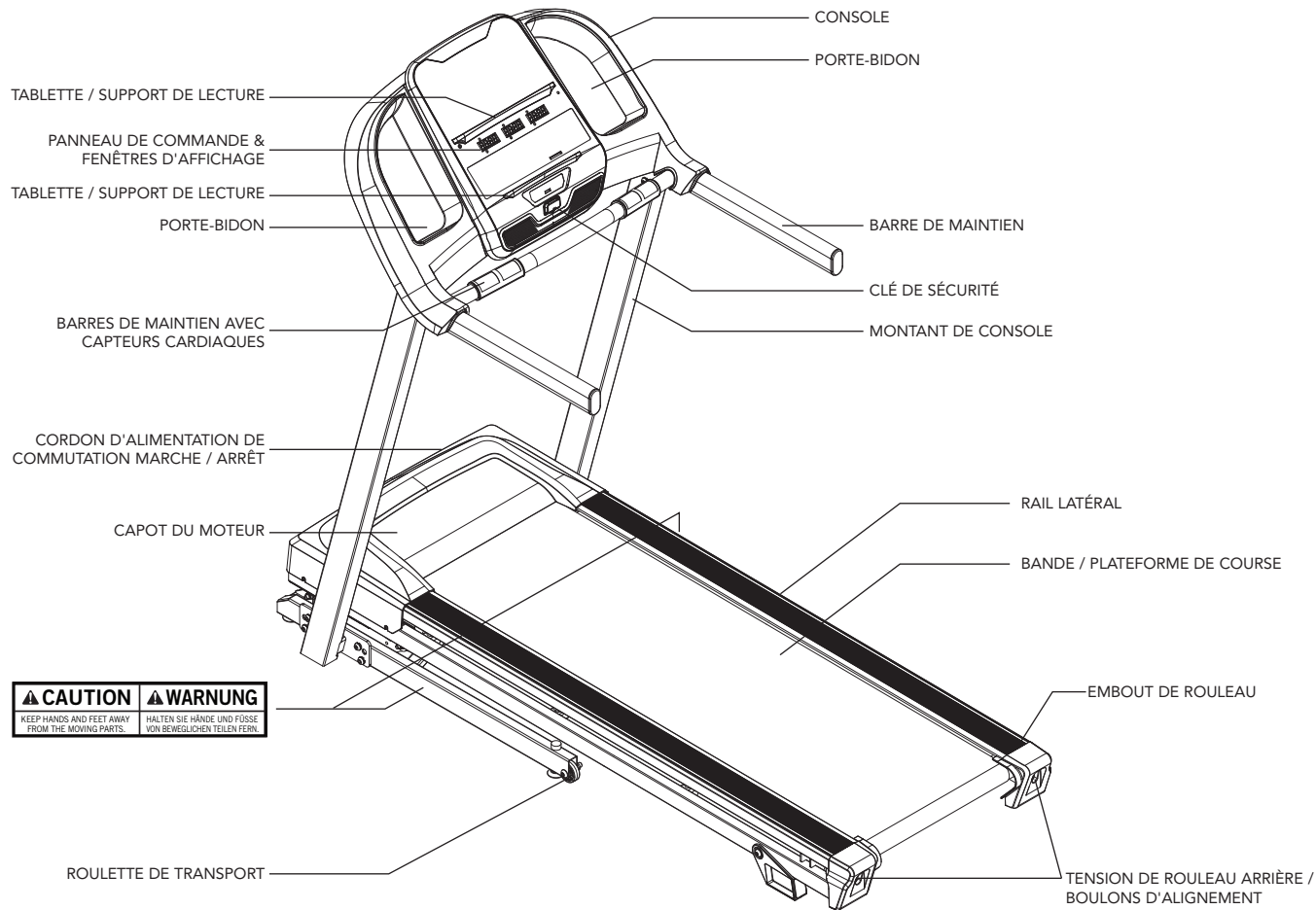
NOM DU MODÈLE : HORIZON

TAPIS DE COURSE

## EMPLACEMENT DU NUMÉRO DE SÉRIE



» Référez-vous au NUMÉRO DE SÉRIE et au NOM DE MODÈLE lorsque vous appelez le service.



<b>⚠ CAUTION</b>	<b>⚠ WARNUNG</b>
KEEP HANDS AND FEET AWAY FROM THE MOVING PARTS.	HALTEN SIE HÄNDE UND FÜSSE VON BEWEGLICHEN TEILEN FEHN!

## OUTILS INCLUS :

- Clé en L de 5 mm
- Clé en T de 6 mm

## PIÈCES INCLUSES :

- 1 console
- 2 montants de console
- 1 kit de visserie
- 1 clé de sécurité
- 1 flacon de lubrifiant à base de silicone (pour 2 applications)
- 1 cordon d'alimentation
- 2 barres de maintien



## BESOIN D'AIDE ?

Si vous avez des questions ou si des pièces sont manquantes, contactez l'assistance technique à la clientèle.

# PRÉ-MONTAGE

## AVERTISSEMENT

N'ESSAYEZ PAS DE SOULEVER LE TAPIS DE COURSE ! Ne déplacez pas et ne sortez pas le tapis de course de son emballage avant que cela ne soit spécifié dans les instructions de montage. Vous pouvez retirer la pellicule de plastique des montants de la console.

## DÉBALLAGE

Posez l'emballage carton du tapis de course sur une surface plane. Il est recommandé de placer un revêtement de protection sur votre sol. Manipulez et déplacez cet appareil avec PRÉCAUTION. N'ouvrez jamais l'emballage lorsqu'il est sur le côté. Une fois les sangles retirées, ne soulevez pas et ne transportez pas cet appareil à moins qu'il soit complètement assemblé et en position repliée debout, avec le loquet de verrouillage bien en place. Déballez et montez l'appareil à l'endroit où il sera utilisé. Le tapis de course fermé est équipé d'amortisseurs à haute pression et peut s'ouvrir en cas de mauvaise manipulation. Ne saisissez jamais une partie du cadre incliné et n'essayez pas de soulever ou de déplacer le tapis de course.

## AVERTISSEMENT

LE NON-RESPECT DE CES INSTRUCTIONS PEUT ENTRAÎNER DES BLESSURES !

REMARQUE : lors de chaque étape de montage, assurez-vous que TOUS les écrous et boulons sont en place et partiellement filetés avant de serrer complètement l'UN des boulons.

REMARQUE : une légère application de graisse peut faciliter l'installation de la visserie. Toute graisse, telle que la graisse au lithium pour vélo, est recommandée.



# MONTAGE - ÉTAPE 1

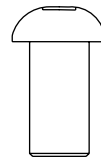
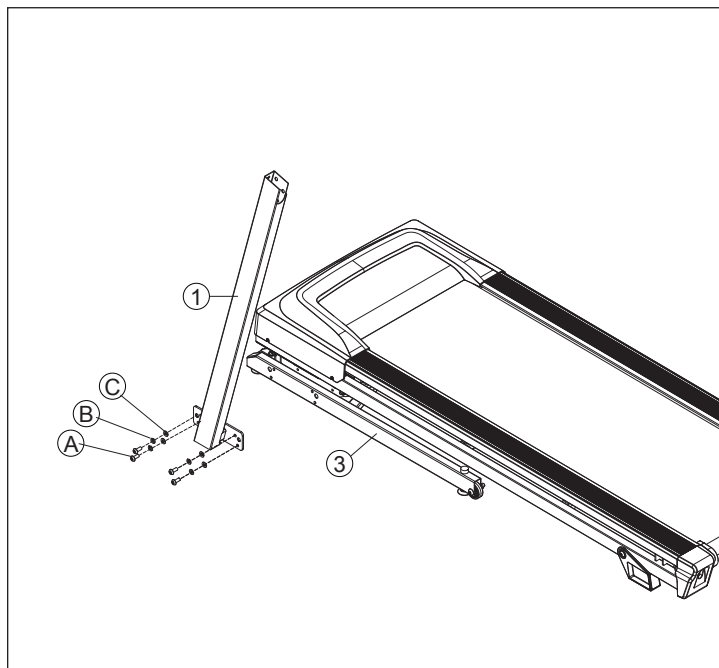


## VISSERIE DE L'ÉTAPE 1

PIÈCE	TYPE	DESCRIPTION	QTÉ
A	BOULON	M8X1.25PX20L	4
B	RONDELLE ÉLASTIQUE	8.2X15.4X2T	4
C	RONDELLE PLATE	8.4X15.5X1.6T	4

- A Ouverture du **MATÉRIEL POUR L'ÉTAPE 1**.
- B Fixez le **MONTANT GAUCHE DE LA CONSOLE (1)** au **CADRE (3)** avec **4 BOULONS (A)**, **4 RONDELLES ÉLASTIQUES (B)** et **4 RONDELLES PLATES (C)**.

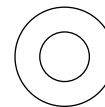
REMARQUE : Ne serrez pas complètement les boulons avant l'**ÉTAPE 4**.



A



B

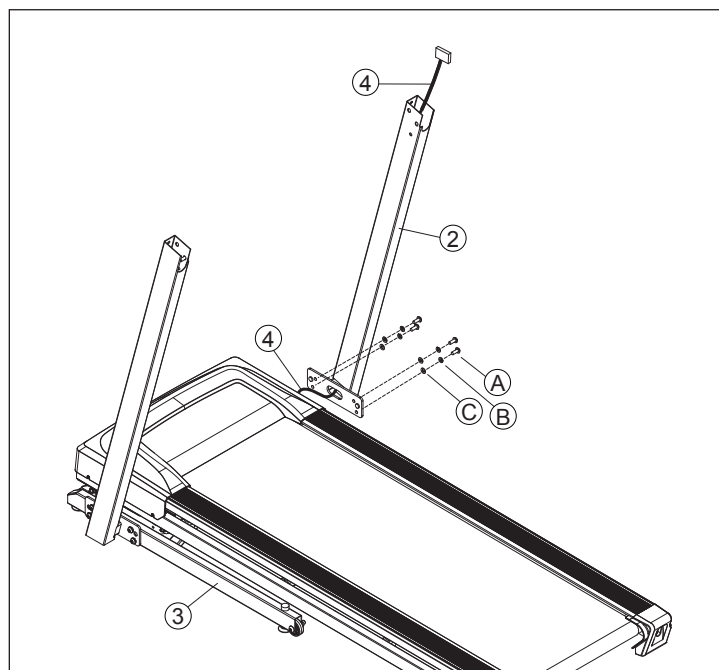


C

# MONTAGE - ÉTAPE 2

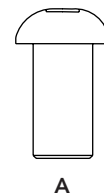


VISSERIE DE L'ÉTAPE 2			
PIÈCE	TYPE	DESCRIPTION	QTÉ
A	BOULON	M8X1.25PX20L	4
B	RONDELLE ÉLASTIQUE	8.2X15.4X2T	4
C	RONDELLE PLATE	8.4X15.5X1.6T	4



- A Ouverture du **MATÉRIEL POUR L'ÉTAPE 2**.
- B Fixez le **FIL CONDUCTEUR** à l'extrémité inférieure du **CÂBLE DE LA CONSOLE (4)**. Tirez le **FIL CONDUCTEUR** à travers le **MONTANT DROIT DE LA CONSOLE (2)**. Après avoir tiré le fil conducteur à travers le montant, le haut du **CÂBLE DE LA CONSOLE (4)** doit être placé en haut du montant.
- C Fixez le **MONTANT DROIT DE LA CONSOLE (2)** au **CADRE (3)** avec 4 **BOULONS (A)**, 4 **RONDELLES ÉLASTIQUES (B)** et 4 **RONDELLES PLATES (C)**.

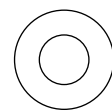
REMARQUE : Ne serrez pas complètement les boulons avant l'ÉTAPE 4.



A



B



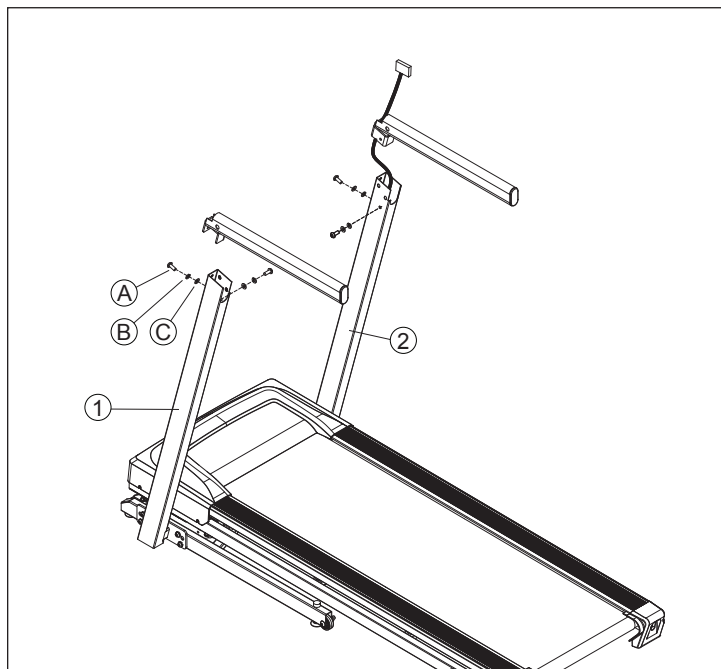
C

# MONTAGE - ÉTAPE 3



## VISSERIE DE L'ÉTAPE 3

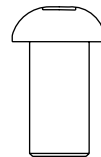
PIÈCE	TYPE	DESCRIPTION	QTÉ
A	BOULON	M8X1.25PX20L	4
B	RONDELLE ÉLASTIQUE	8.2X15.4X2T	4
C	RONDELLE PLATE	8.4X15.5X1.6T	4



**REMARQUE :** Veillez à ne pas pincer de fil lors de l'assemblage de la console.

- A Tirez le **FIL CONDUCTEUR** à travers l'extrémité inférieure de la **BARRE DE MAINTIEN**.
- B Ouvrez le **KIT DE VISSERIE DE L'ÉTAPE 3**.
- C Fixez la **BARRE DE MAINTIEN** au **MONTANT GAUCHE DE LA CONSOLE (2)** avec **2 BOULONS (A)**, **2 RONDELLES ÉLASTIQUES (B)** et **2 RONDELLES PLATES (C)**.
- D Répétez cette opération avec l'autre **BARRE DE MAINTIEN**.

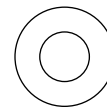
**REMARQUE :** Ne serrez pas complètement les boulons avant l'**ÉTAPE 5**.



A



B



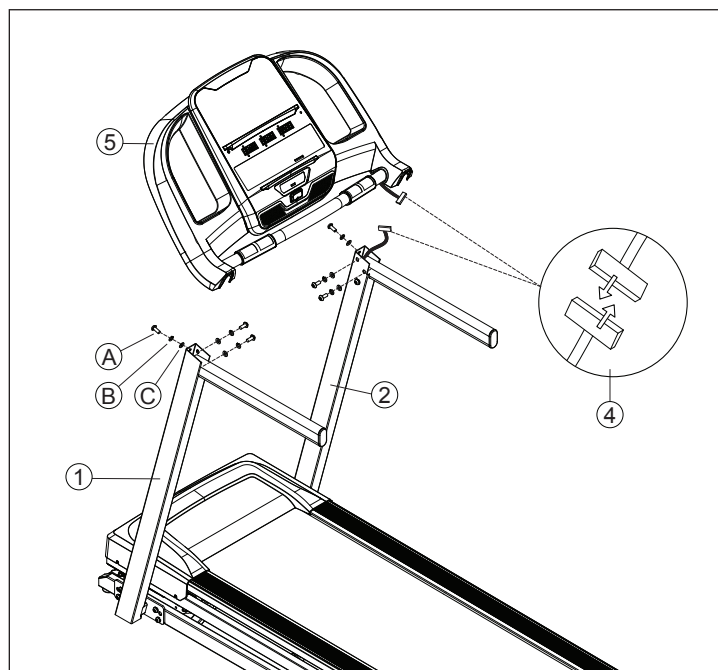
C



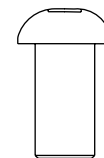
# MONTAGE - ÉTAPE 4



VISSERIE DE L'ÉTAPE 4			
PIÈCE	TYPE	DESCRIPTION	QTÉ
A	BOULON	M8X1.25PX20L	6
B	RONDELLE ÉLASTIQUE	8.2X15.4X2T	6
C	RONDELLE PLATE	8.4X15.5X1.6T	6



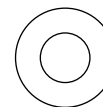
- A Ouverture du **MATÉRIEL POUR L'ÉTAPE 4**.
- B Placez doucement la **CONSOLE (5)** au-dessus des **MONTANTS DE CONSOLE (1 & 2)**. Fixez le **CÔTÉ GAUCHE** en premier à l'aide de **3 BOULONS (A)**, **3 RONDELLES ÉLASTIQUES (B)** et **3 RONDELLES PLATES (C)**.
- C Les **CÂBLES DE LA CONSOLE (4)** sont calés dans le **MONTANT DE LA CONSOLE (2)**. En utilisant le fil conducteur, sortez soigneusement le **CÂBLE DE LA CONSOLE (4)** du **MONTANT DE LA CONSOLE (2)**. Détachez et écartez le **FIL CONDUCTEUR**. Connectez les **CÂBLES DE LA CONSOLE (4)** et caliez soigneusement les fils dans le montant pour éviter tout endommagement.
- D Fixez le **CÔTÉ DROIT** de la **CONSOLE (5)** à l'aide de **3 BOULONS (A)**, **3 RONDELLES ÉLASTIQUES (B)** et **3 RONDELLES PLATES (C)**.



A



B



C

## MONTAGE - ÉTAPE 5



LE MONTAGE EST TERMINÉ !

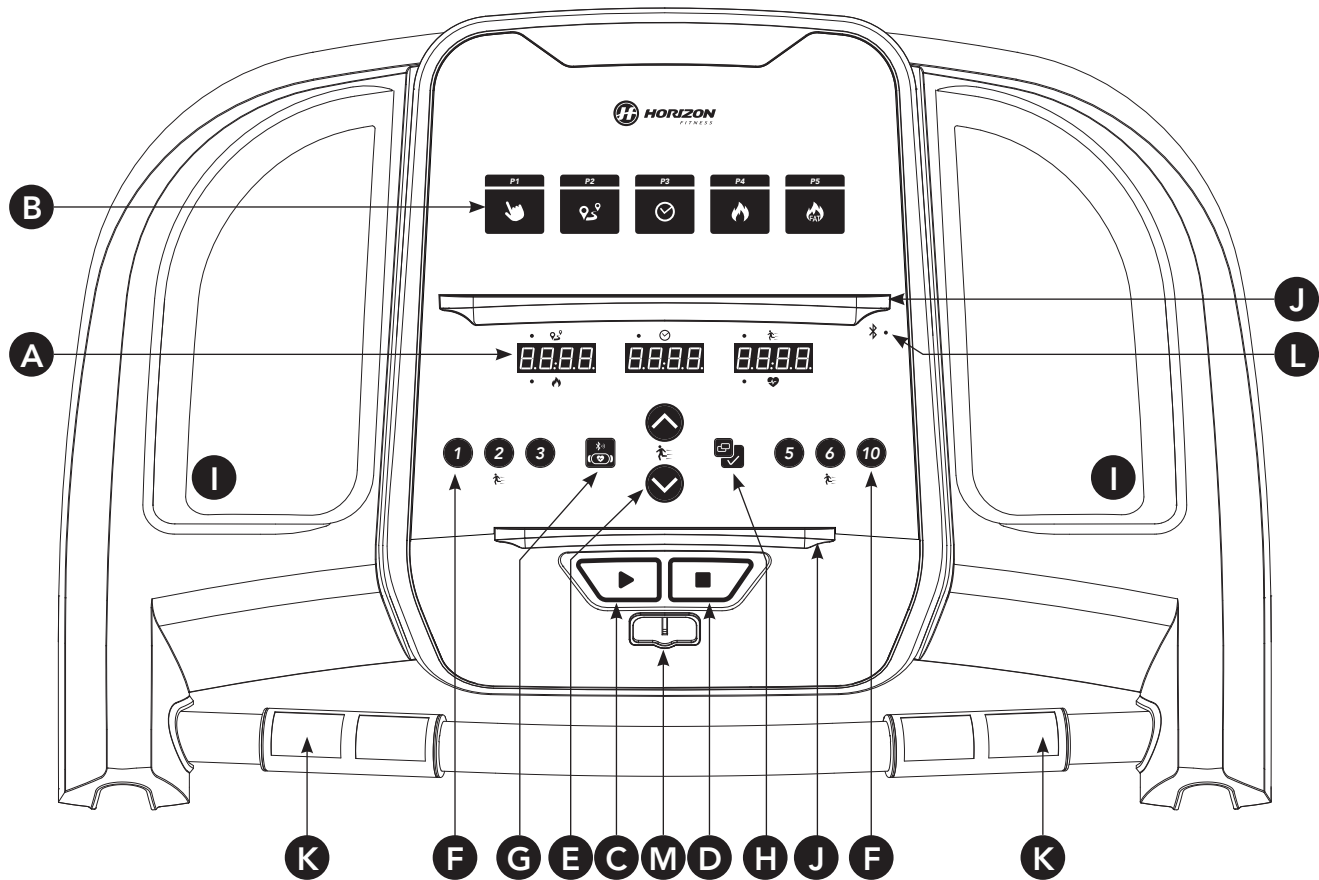
# FONCTIONNEMENT DU TAPIS DE COURSE



La présente section explique comment utiliser et programmer la console du tapis de course.

La section FONCTIONNEMENT DE BASE du GUIDE DU TAPIS DE COURSE comporte des instructions portant sur ce qui suit :

- EMBLACEMENT DU TAPIS DE COURSE
- UTILISATION DE LA CLÉ DE SÉCURITÉ
- PLIAGE DU TAPIS DE COURSE
- DÉPLACEMENT DU TAPIS DE COURSE
- MISE À NIVEAU DU TAPIS DE COURSE
- TENSION DE LA BANDE DE COURSE
- CENTRAGE DE LA BANDE DE COURSE
- UTILISATION DE LA FONCTION FRÉQUENCE CARDIAQUE (HEART RATE)



## FONCTIONNEMENT DE LA CONSOLE






Remarque : le revêtement de la console présente une mince feuille protectrice de plastique transparent qui doit être retirée avant utilisation.

- A) **AFFICHAGE DEL** : Calories, Durée, Distance, Vitesse, Fréquence cardiaque.
- B) **PROGRAMMES D'ENTRAÎNEMENT** : utilisé pour faire référence au code de programme affiché sur l'écran LED.
- C) **DÉMARRAGE** : appuyez pour commencer l'exercice, démarrer votre entraînement ou reprendre l'exercice après une pause.
- D) **STOP** : appuyez sur pour mettre en pause / terminer votre entraînement. Appuyez sur la touche pendant 3 secondes pour réinitialiser la console.
- E) **TOUCHES D'INCLINAISON +/-** : servent à régler la vitesse par petits incréments (incréments de 0,1 mph).
- F) **TOUCHES RAPIDES DE VITESSE** : permettent d'atteindre plus rapidement la vitesse souhaitée.
- G) **FRÉQUENCE CARDIAQUE BLUETOOTH** : appuyez sur cette touche pendant 3 secondes pour connecter la ceinture cardiofréquencemètre Bluetooth. (connexion d'une seule ceinture cardiofréquencemètre par application et Bluetooth à la fois)
- H) **Entrée / Changer d'affichage** : appuyez pour sélectionner l'élément ou appuyez pour changer le retour de l'affichage pendant l'entraînement.
- I) **POCHETTES POUR BOUTEILLES D'EAU** : servent à contenir l'équipement d'entraînement personnel.
- J) **TABLETTE / SUPPORT DE LECTURE** : sert à contenir une tablette ou du matériel de lecture.
- K) **CAPTEURS DU CARDIOFRÉQUENCEMÈTRE** : servent à mesurer la fréquence cardiaque.
- L) **BLUETOOTH** : le témoin sera constamment allumé une fois le Bluetooth connecté.
- M) **CLÉ DE SÉCURITÉ** : la clé de sécurité doit être insérée pour mettre en marche le tapis de course.





## FENÊTRES D'AFFICHAGE

-  **CALORIES** : nombre total de calories brûlées ou de calories restant à brûler pendant la séance d'entraînement.
-  **DURÉE** : Réglez la durée et la vitesse de votre entraînement. Puis commencez l'entraînement.
-  **DISTANCE** : Indiquée en kilomètre. Indique la distance parcourue ou la distance restante pendant votre entraînement.
-  **VITESSE** : Indiquée en km/h. Indique à quelle vitesse bouge votre surface de marche ou de course.
-  **FRÉQUENCE CARDIAQUE** : Indiquée en BPM (battements par minute). Permet à l'utilisateur de surveiller sa fréquence cardiaque (s'affiche lorsque le contact est établi avec les deux capteurs du cardiofréquencemètre).



## GUIDE DE DÉMARRAGE

- 1) Assurez-vous qu'aucun objet qui pourrait gêner le mouvement du tapis de course n'est placé sur la bande de course.
- 2) Branchez le cordon d'alimentation et allumez le tapis de course. (L'interrupteur ON / OFF est situé à côté du cordon d'alimentation.)
- 3) Tenez-vous sur les rails latéraux du tapis de course.
- 4) Fixez l'attache de la clé de sécurité à une pièce de votre vêtement et assurez-vous qu'elle ne se détache pas du vêtement pendant la séance d'entraînement.
- 5) Insérez la clé de sécurité dans la serrure de sécurité de la console.
- 6) Deux options s'offrent à vous pour commencer une séance d'entraînement :

### A) DÉMARRAGE RAPIDE

Il suffit d'appuyer sur START pour commencer l'entraînement.

La durée, la distance et les calories commenceront à être comptées à partir de zéro. OU...

### B) SÉLECTIONNEZ UN ENTRAÎNEMENT OU UNE CIBLE

- 1) Sélectionnez votre PROGRAMME avec les touches +/- et appuyez sur ENTRÉE lorsque le PROGRAMME souhaité est affiché.
- 2) Réglez le PARAMÈTRE avec les touches +/- et appuyez sur ENTRÉE lorsque PARAMÈTRE souhaité est affiché.
- 3) Appuyez sur START pour commencer.



## PROFILS D'ENTRAÎNEMENT

P1



P1) **MANUEL** : Réglez manuellement votre vitesse pendant votre entraînement.

P2



P2) **DISTANCE** : Poussez-vous à aller plus loin pendant votre entraînement avec 13 entraînements de distance. Choisissez à partir de L1 : 1,6 km, L2 : 3,2 km, L3 : 5 km, L4 : 8 km, L5 : 10 km, L6 : 12,8 km, L7 : 15 km, L8 : 16 km, L9 : 20 km, L10 : semi-marathon, L11 : 24 km, L12 : 32 km et L13 : marathon. L'utilisateur définit les niveaux de vitesse de départ.

P3



P3) **TEMPS** : Définissez vos objectifs de temps. L'utilisateur peut régler la vitesse et l'inclinaison pour démarrer.

P4



P4) **CALORIES** : Fixez-vous des objectifs pour brûler des calories. Les calories brûlées sont calculées en fonction de la distance et de la vitesse.





**P5) COMBUSTION DE GRAISSES** : Un entraînement conçu spécifiquement pour cibler les graisses. Favorise la perte de poids en augmentant et diminuant la vitesse, tout en vous maintenant dans votre zone de combustion des graisses. Inclut 10 niveaux.

Segment		Échauffement		1	2	3	4	5	6	7	8
Durée		4:00 min		30 sec	30 sec	30 sec	30 sec	30 sec	30 sec	30 sec	30 sec
Niveau 1	Inclinaison	0	0,5	1,5	1,5	1	0,5	0,5	0,5	1	1,5
	Vitesse (km/h)	0,8	2,4	3,2	4	4,8	5,6	6,4	5,6	4,8	4
Niveau 2	Inclinaison	0	0,5	1,5	1,5	1	0,5	1	0,5	1	1,5
	Vitesse (km/h)	0,8	3	4	4,8	5,6	6,4	7,2	6,4	5,6	4,8
Niveau 3	Inclinaison	0,5	1	2	2	1,5	1	1	1	1,5	2
	Vitesse (km/h)	0,8	3,7	4,8	5,6	6,4	7,2	8	7,2	6,4	5,6
Niveau 4	Inclinaison	0,5	1	2	2	1,5	1	1	1	1,5	2
	Vitesse (km/h)	1,6	4,1	5,6	6,4	7,2	8	8,8	8	7,2	6,4
Niveau 5	Inclinaison	1	1,5	2,5	2,5	2	1,5	1,5	1,5	2	2,5
	Vitesse (km/h)	1,6	4,8	6,4	7,2	8	8,8	9,6	8,8	8	7,2
Niveau 6	Inclinaison	1	1,5	2,5	2,5	2	1,5	1,5	1,5	2	2,5
	Vitesse (km/h)	1,6	5,1	7,2	8	8,8	9,6	10,4	9,6	8,8	8
Niveau 7	Inclinaison	1,5	2	3	3	2,5	2	2	2	2,5	3
	Vitesse (km/h)	2,2	6,1	8	8,8	9,6	10,4	11,2	10,4	9,6	8,8
Niveau 8	Inclinaison	1,5	2	3	3	2,5	2	2	2	2,5	3
	Vitesse (km/h)	2,2	6,6	8,8	9,6	10,4	11,2	12	11,2	10,4	9,6
Niveau 9	Inclinaison	2	2,5	3,5	3,5	3	2,5	2,5	2,5	3	3,5
	Vitesse (km/h)	2,2	7,2	9,6	10,4	11,2	12	12,8	12	11,2	10,4
Niveau 10	Inclinaison	2	2,5	3,5	3,5	3	2,5	2,5	2,5	3	3,5
	Vitesse (km/h)	2,2	7,8	10,4	11,2	12	12,8	13,6	12,8	12	11,2





## **POUR RÉINITIALISER LA CONSOLE**

Maintenir la touche STOP pendant 3 secondes.

## **FIN DE VOTRE ENTRAÎNEMENT**

Lorsque votre entraînement sera terminé, l'appareil émettra un bip. Les informations de votre entraînement resteront affichées sur la console pendant 30 secondes, puis réinitialisées.

**Eng: Waste Disposal**

VISION Fitness / HORIZON Fitness / TEMPO Fitness / TREO Fitness products are recyclable. At the end of its useful life please dispose of this article correctly and safely (local refuse sites).

**Ger: Entsorgungshinweis**

Die Produkte VISION Fitness/HORIZON Fitness/TEMPO Fitness/TREO Fitness sind recycelbar. Führen Sie das Gerät am Ende der Nutzungsdauer einer sachgerechten Entsorgung zu (örtliche Sammelstelle).

**Dut: Verwijderingsaanwijzing**

VISION Fitness / HORIZON Fitness / TEMPO Fitness / TREO Fitness producten zijn recyclebaar. Breng het apparaat aan het einde van de gebruiksduur naar een in recycling gespecialiseerd bedrijf (plaatselijk verzamelpunt).

**Fre: Remarque relative à la gestion des déchets**

Les produits VISION Fitness / HORIZON Fitness / TEMPO Fitness / TREO Fitness sont recyclables. Lorsque cet appareil arrive en fin de vie, veuillez l'éliminer de manière correcte et en toute sécurité en le déposant dans une déchetterie communale.

**Ita: Indicazione sullo smaltimento**

I prodotti VISION Fitness / HORIZON Fitness / TEMPO Fitness / TREO Fitness sono riciclabili. Quando l'apparecchio non servirà più, portarlo in un apposito punto di raccolta della propria città (punti di raccolta comunali).

**Spe: Gestión de residuos**

Los productos de VISION Fitness / HORIZON Fitness / TEMPO Fitness / TREO Fitness son reciclables. Cuando se termine su vida útil, por favor deshágase de este artículo de forma correcta y segura en un punto limpio.

**Prb: Descarte**

Os produtos VISION Fitness / HORIZON Fitness / TEMPO Fitness / TREO Fitness são recicláveis. No final de sua vida útil, descarte este equipamento corretamente e com segurança (sites de locais de lixo).

**ChT: 廢棄物處理**

VISION Fitness / HORIZON Fitness / TEMPO Fitness / TREO Fitness 產品為可回收產品。產品的使用年限期滿後，請依照正確且安全的方式處理本廢棄商品 (當地的廢棄場)。

**ChS: 废弃物处理**

VISION Fitness / HORIZON Fitness / TEMPO Fitness / TREO Fitness 产品是可回收利用的。在其使用期结束后，请正确安全地 (在本地垃圾处理场) 处理本品。



