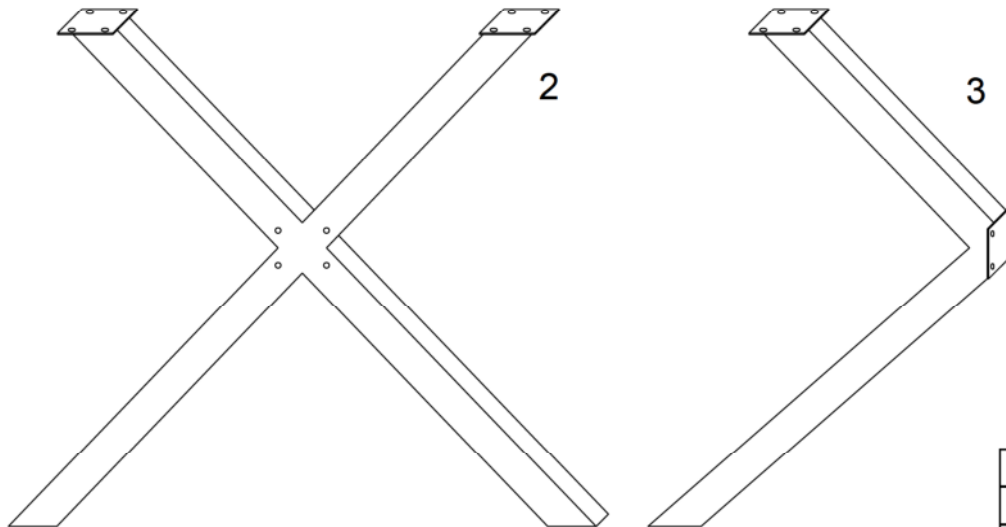
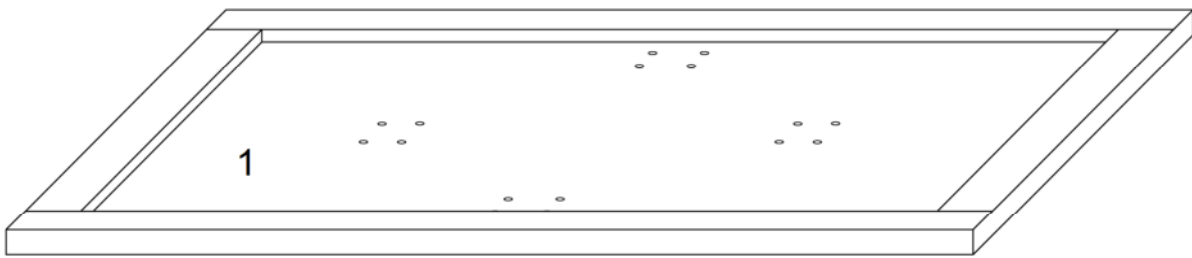
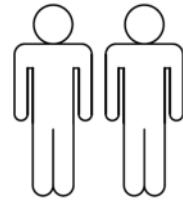
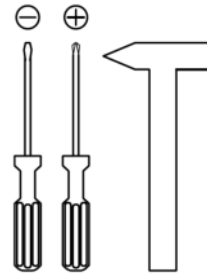
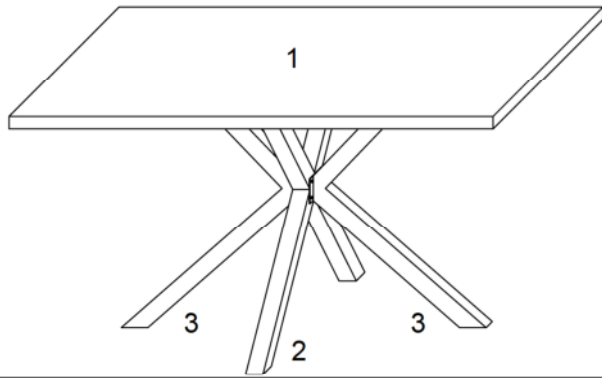


"Cleo"

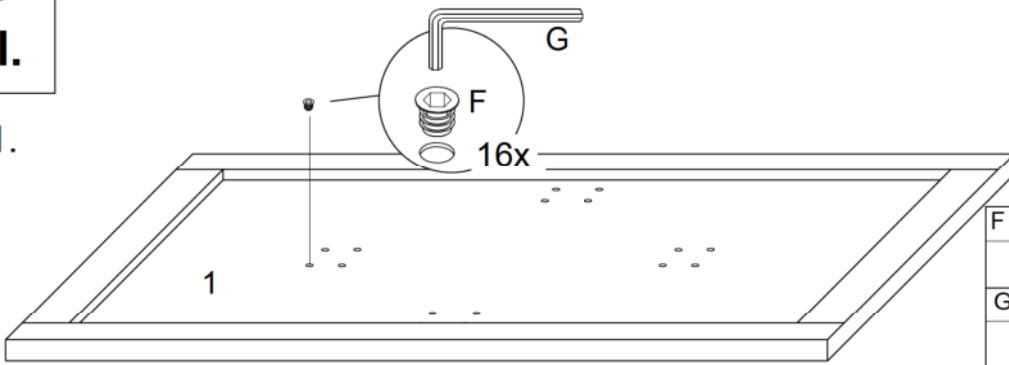


1	1x	1/2
2	1x	2/2
3	2x	2/2

A	M6x16	B	D13*D6.5*1.5mm	C		D	SW 4	E	D18*D6.5*1.5mm	F	M6 12x13
	24x		8x		4x		1x		16x		16x
G	SW 6										
	1x										

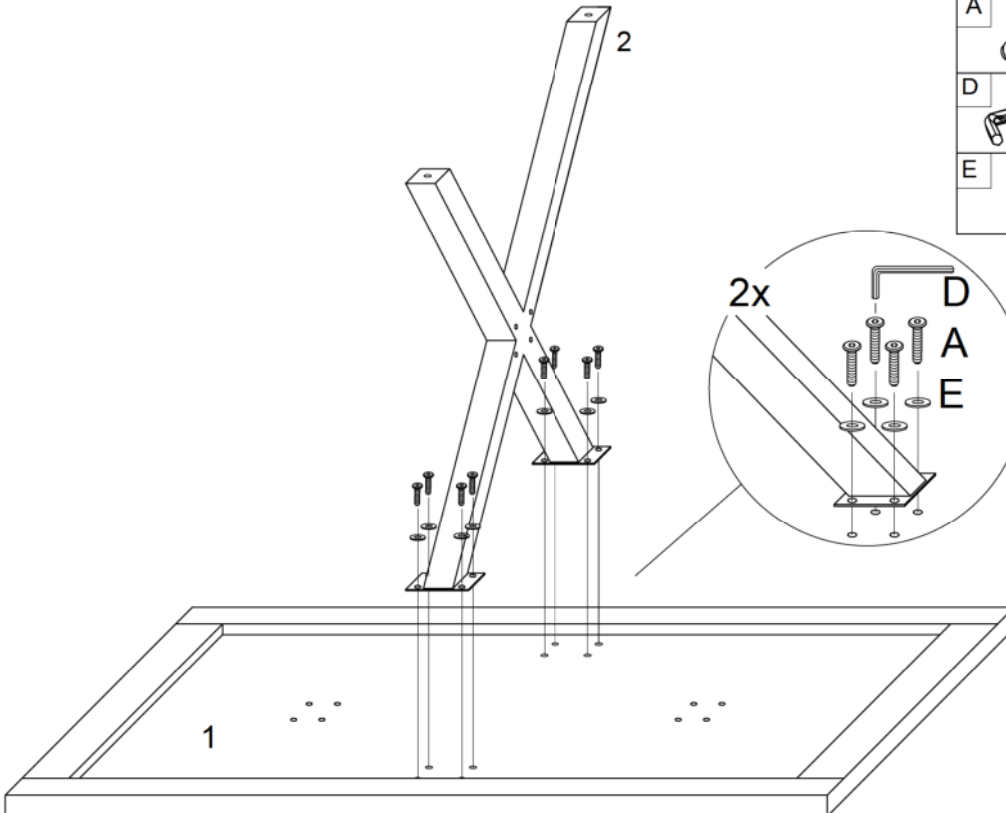
I.

1.

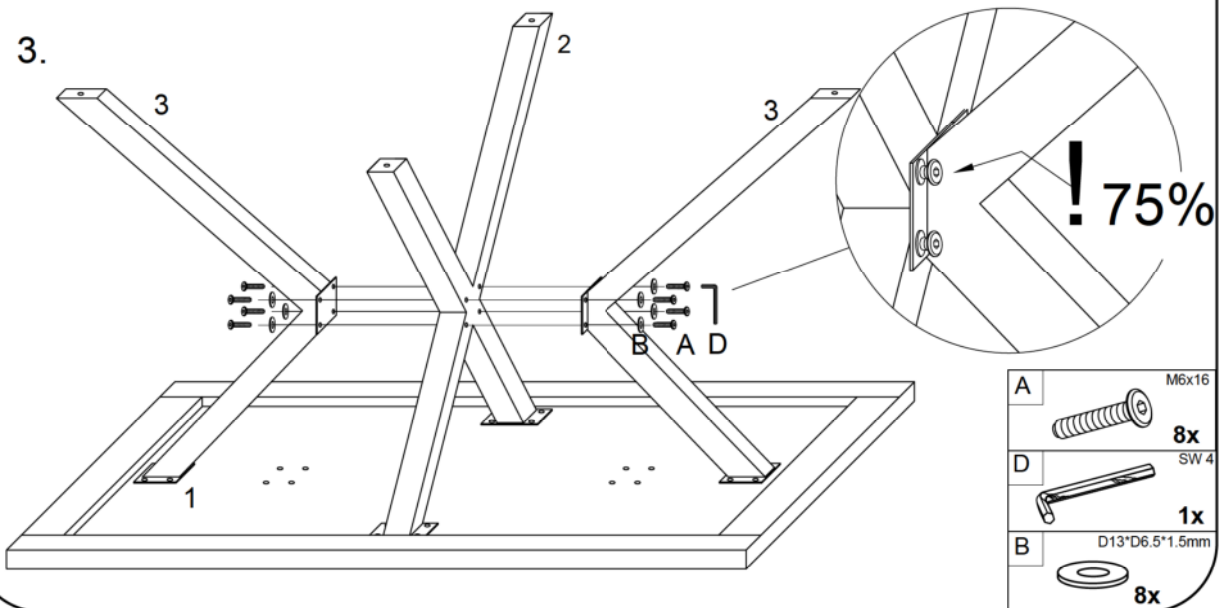


F	M6 12x13		16x
G	SW 6		1x
A	M6x16		8x
D	SW 4		1x
E	D18°D6.5*1.5mm		8x

2.

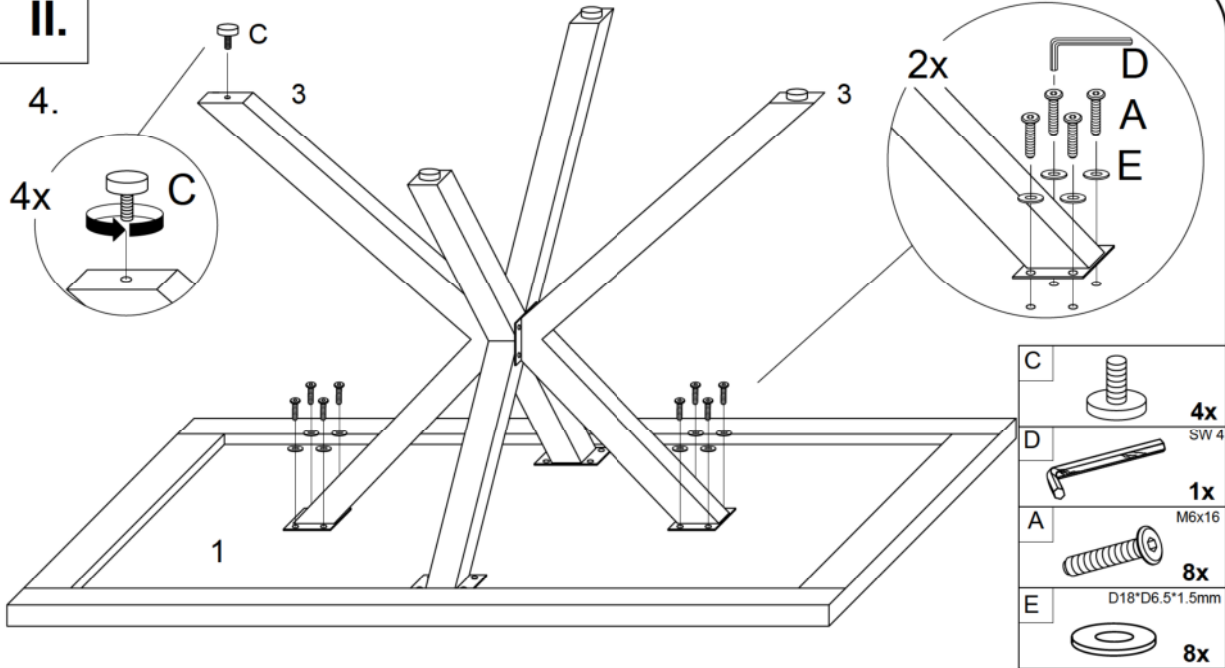


3.

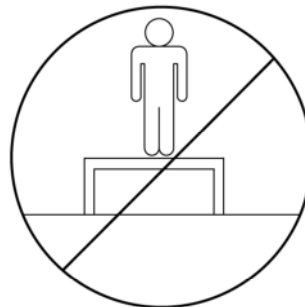
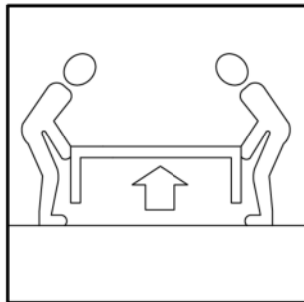
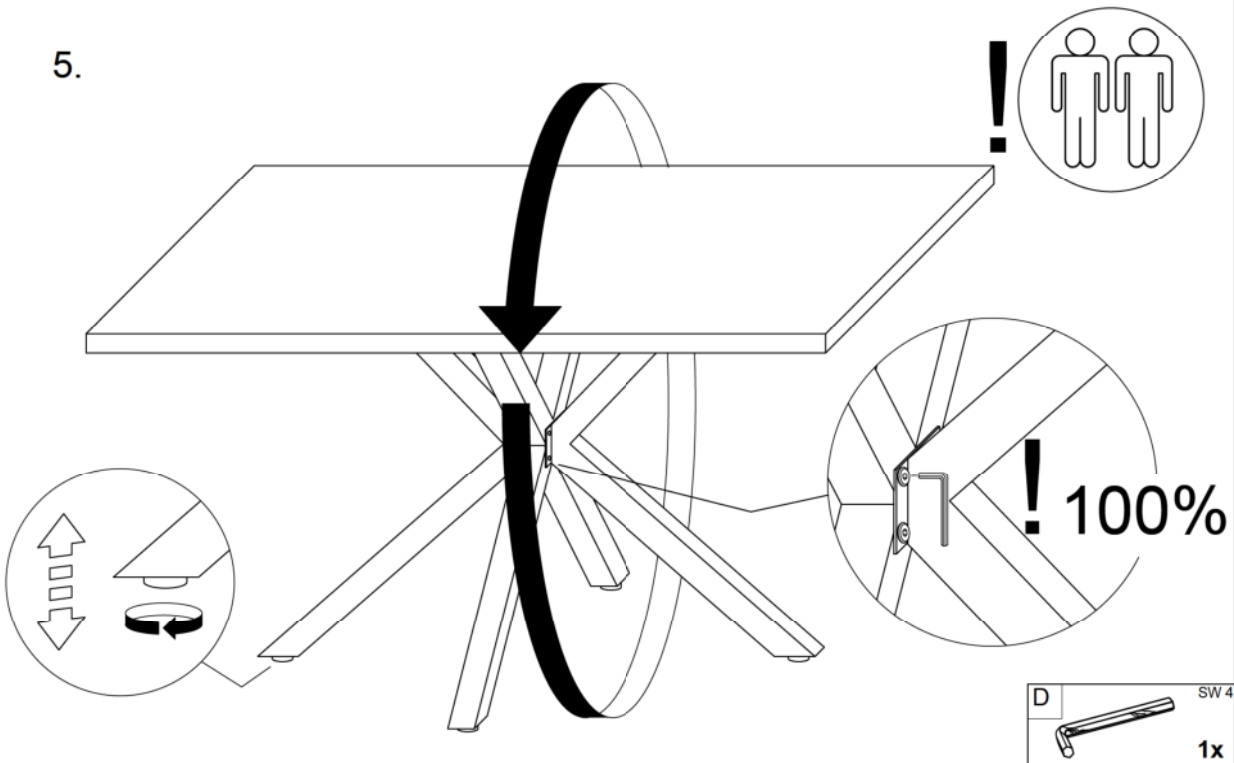


A	M6x16		8x
D	SW 4		1x
B	D13°D6.5*1.5mm		8x

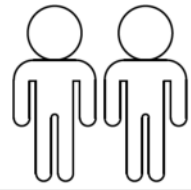
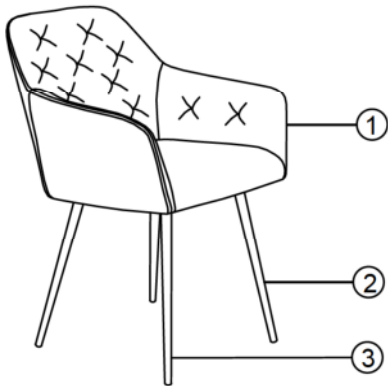
II.



5.



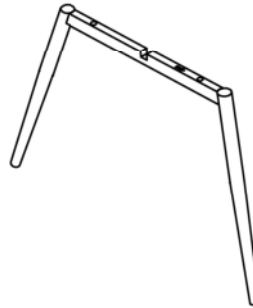
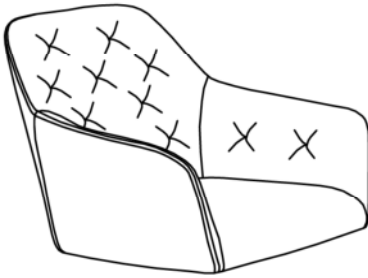
Tina 1



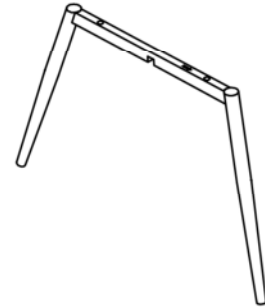
1

2

3



R

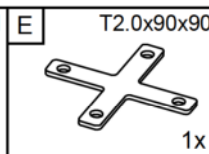
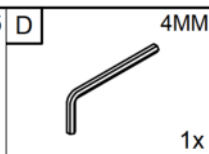
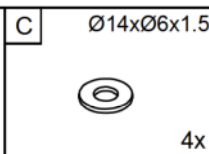
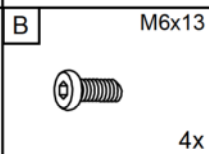
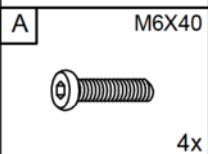


L

1	1 x
2	1 x
3	1 x



1/1



I.

1

3 → L

1 →

D

A

C

A M6x40
2x

C Ø14xØ6x1.5
2x

D 4MM
1x

75%

2

2 → R

D

A

C

A M6x40
2x

C Ø14xØ6x1.5
2x

D 4MM
1x

75%

3

D

B

E

B M6x13
4x

D 4MM
1x

E T2.0x90x90
1x

75%

4

D

D 4MM
1x

100%



LE TRI + FACILE



Séparez les éléments avant de trier