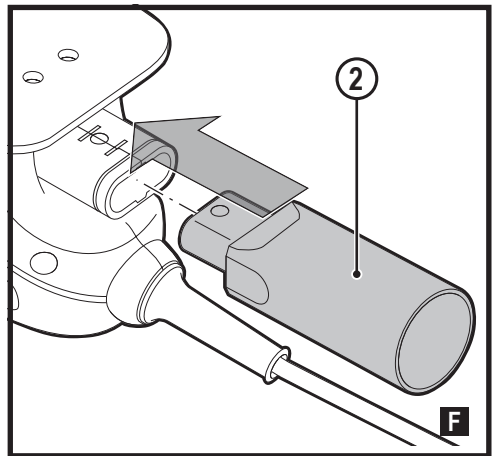
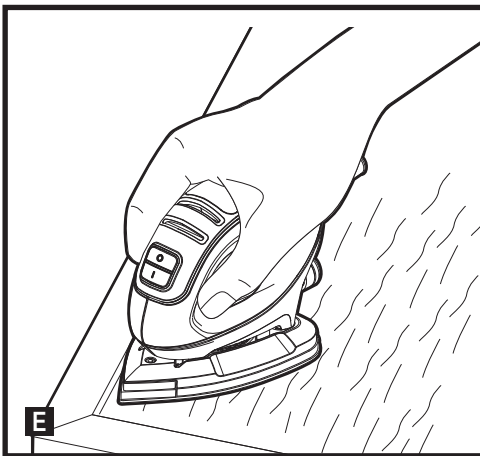
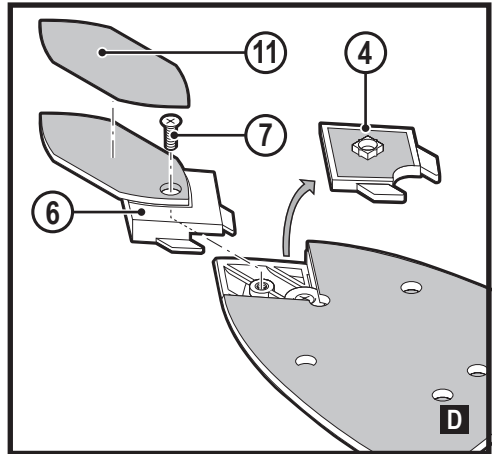
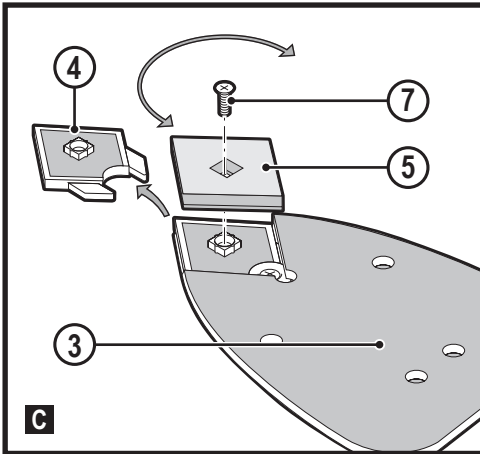
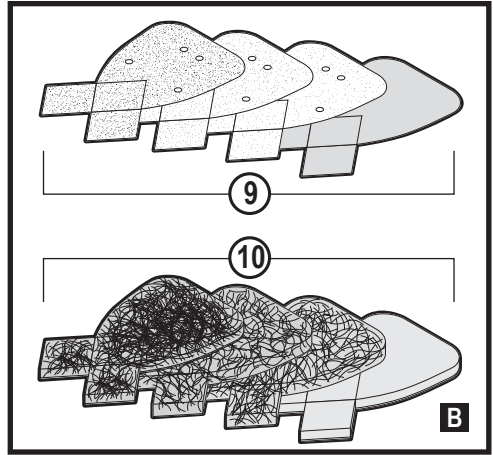
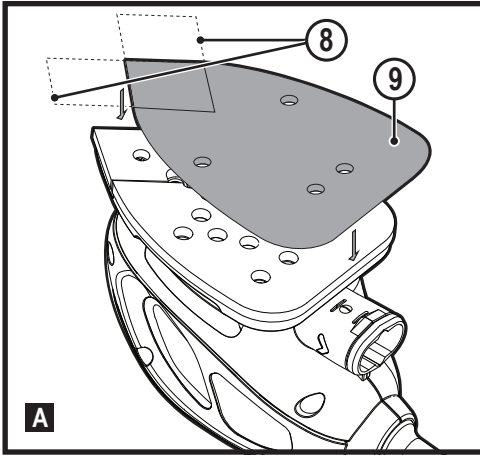
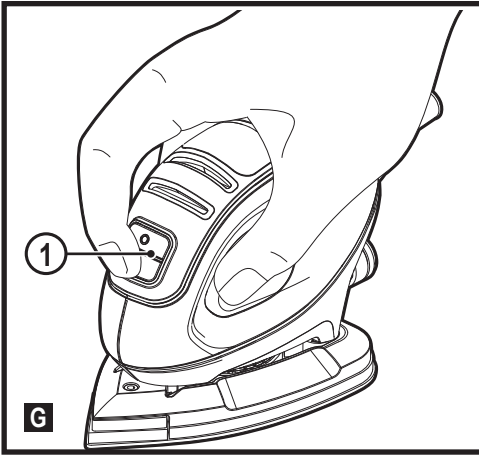


English ( <i>original instructions</i> )	4
Deutsch (übersetzt von den originalanweisungen)	9
Français (traduction de la notice d'instructions originale)	14
Italiano (tradotto dalle istruzioni originali)	18
Nederlands (vertaald vanuit de originele instructies)	23
Español (traducido de las instrucciones originales)	28
Português (traduzido das instruções originais)	33
Svenska (översatt från de ursprungliga instruktionerna)	38
Norsk (oversatt fra de originale instruksjonene)	43
Dansk (oversat fra original brugsvejledning)	47
Suomi (käännetty alkuperäisestä käyttöohjeesta)	52
Ελληνικά (μετάφραση από τις πρωτότυπες οδηγίες)	56
Slovenščina (originalna navodila)	61
Български (оригинални инструкции)	65
Eesti keel (Originaaljuhendi tõlge)	70
Česky (originální návod)	74
Magyar (eredeti útmutató)	80
Polski (oryginalna instrukcja)	90
Română (instrucțiuni originale)	98
Slovensky (pôvodný návod)	107
Hrvatski (Prijevod izvornih uputa)	115
Lietuvių (Originalių instrukcijų vertimas)	122
Latviešu (Tulkojums no rokasgrāmatas oriģinālvalodas)	126





- b. **Avoid body contact with earthed or grounded surfaces such as pipes, radiators, ranges and refrigerators.** There is an increased risk of electric shock if your body is earthed or grounded.
- c. **Do not expose power tools to rain or wet conditions.** Water entering a power tool will increase the risk of electric shock.
- d. **Do not abuse the cord. Never use the cord for carrying, pulling or unplugging the power tool. Keep cord away from heat, oil, sharp edges or moving parts.** Damaged or entangled cords increase the risk of electric shock.
- e. **When operating a power tool outdoors, use an extension cord suitable for outdoor use.** Use of a cord suitable for outdoor use reduces the risk of electric shock.
- f. **If operating a power tool in a damp location is unavoidable, use a residual current device (RCD) protected supply.** Use of an RCD reduces the risk of electric shock.

**Intended use**

Your BLACK+DECKER BEW230 sander has been designed for sanding and polishing wood, metal, plastics and painted surfaces. This tool is intended for consumer use only.

**Safety instructions**

**General power tool safety warnings**



**Warning!** Read all safety warnings, instructions, illustrations and specifications provided with this power tool. Failure to follow the warnings and instructions listed below may result in electric shock, fire and/or serious injury.

**Save all warnings and instructions for future reference.**

The term "power tool" in all of the warnings listed below refers to your mains operated (corded) power tool or battery operated (cordless) power tool.

**1. Work area safety**

- a. **Keep work area clean and well lit.** Cluttered or dark areas invite accidents.
- b. **Do not operate power tools in explosive atmospheres, such as in the presence of flammable liquids, gases or dust.** Power tools create sparks which may ignite the dust or fumes.
- c. **Keep children and bystanders away while operating a power tool.** Distractions can cause you to lose control.

**2. Electrical safety**

- a. **Power tool plugs must match the outlet. Never modify the plug in any way. Do not use any adapter plugs with earthed (grounded) power tools.** Unmodified plugs and matching outlets will reduce risk of electric shock.

**3. Personal safety**

- a. **Stay alert, watch what you are doing and use common sense when operating a power tool. Do not use a power tool while you are tired or under the influence of drugs, alcohol or medication.** A moment of inattention while operating power tools may result in serious personal injury.
- b. **Use personal protective equipment. Always wear eye protection.** Protective equipment such as dust mask, non-skid safety shoes, hard hat, or hearing protection used for appropriate conditions will reduce personal injuries.
- c. **Prevent unintentional starting. Ensure the switch is in the off-position before connecting to power source and/or battery pack, picking up or carrying the tool.** Carrying power tools with your finger on the switch or energising power tools that have the switch on invites accidents.
- d. **Remove any adjusting key or wrench before turning the power tool on.** A wrench or a key left attached to a rotating part of the power tool may result in personal injury.
- e. **Do not overreach. Keep proper footing and balance at all times.** This enables better control of the power tool in unexpected situations.
- f. **Dress properly. Do not wear loose clothing or jewellery. Keep your hair, clothing and gloves away from moving parts.** Loose clothes, jewellery or long hair can be caught in moving parts.
- g. **If devices are provided for the connection of dust extraction and collection facilities, ensure these are connected and properly used.** Use of dust collection can reduce dust-related hazards.

- h. **Do not let familiarity gained from frequent use of tools allow you to become complacent and ignore tool safety principles.** A careless action can cause severe injury within a fraction of a second.
4. **Power tool use and care**
- a. **Do not force the power tool. Use the correct power tool for your application.**  
The correct power tool will do the job better and safer at the rate for which it was designed.
- b. **Do not use the power tool if the switch does not turn it on and off.** Any power tool that cannot be controlled with the switch is dangerous and must be repaired.
- c. **Disconnect the plug from the power source and/or the battery pack from the power tool before making any adjustments, changing accessories, or storing power tools.** Such preventive safety measures reduce the risk of starting the power tool accidentally.
- d. **Store idle power tools out of the reach of children and do not allow persons unfamiliar with the power tool or these instructions to operate the power tool.**  
Power tools are dangerous in the hands of untrained users.
- e. **Maintain power tools. Check for misalignment or binding of moving parts, breakage of parts and any other condition that may affect the power tools operation. If damaged, have the power tool repaired before use.** Many accidents are caused by poorly maintained power tools.
- f. **Keep cutting tools sharp and clean.** Properly maintained cutting tools with sharp cutting edges are less likely to bind and are easier to control.
- g. **Use the power tool, accessories and tool bits etc. in accordance with these instructions, taking into account the working conditions and the work to be performed.** Use of the power tool for operations different from those intended could result in a hazardous situation.
- h. **Keep handles and grasping surfaces dry, clean and free from oil and grease.** Slippery handles and grasping surfaces do not allow for safe handling and control of the tool in unexpected situations.
6. **Service**
- a. **Have your power tool serviced by a qualified repair person using only identical replacement parts.**  
This will ensure that the safety of the power tool is maintained.

- ◆ **Hold the power tool by insulated gripping surfaces, because the sanding surface may contact its own cord.** Cutting a "live" wire may make exposed metal parts of the power tool "live" and could give the operator an electric shock.
- ◆ **Use clamps or another practical way to secure and support the workpiece to a stable platform.** Holding the work by hand or against your body leaves it unstable and may lead to loss of control.
- ◆ **Warning! Contact with or inhalation of dusts arising from sanding applications may endanger the health of the operator and possible bystanders.** Wear a dust mask specifically designed for protection against dust and fumes and ensure that persons within or entering the work area are also protected.
- ◆ **Thoroughly remove all dust after sanding.**
- ◆ **Take special care when sanding paint which is possibly lead based or when sanding some woods and metal which may produce toxic dust:**
  - ◆ Do not let children or pregnant women enter the work area.
  - ◆ Do not eat, drink or smoke in the work area.
  - ◆ Dispose of dust particles and any other debris safely.
- ◆ **The intended use is described in this instruction manual.**  
The use of any accessory or attachment or performance of any operation with this tool other than those recommended in this instruction manual may present a risk of personal injury and/or damage to property.

### Safety of others

- ◆ This appliance is not intended for use by persons (including children) with reduced physical, sensory or mental capabilities, or lack of experience and knowledge, unless they have been given supervision or instruction concerning use of the appliance by a person responsible for their safety.
- ◆ Children should be supervised to ensure that they do not play with the appliance.

### Residual risks.

Additional residual risks may arise when using the tool which may not be included in the enclosed safety warnings. These risks can arise from misuse, prolonged use etc. Even with the application of the relevant safety regulations and the implementation of safety devices, certain residual risks can not be avoided. These include:

- ◆ Injuries caused by touching any rotating/moving parts.
- ◆ Injuries caused when changing any parts, blades or accessories.
- ◆ Injuries caused by prolonged use of a tool.

### Additional power tool safety warnings



**Warning!** Additional safety warnings for sanders

When using any tool for prolonged periods ensure you take regular breaks.

- ◆ Impairment of hearing.
- ◆ Health hazards caused by breathing dust developed when using your tool (example:- working with wood, especially oak, beech and MDF.)

**Vibration**

The declared vibration emission values stated in the technical data and the declaration of conformity have been measured in accordance with a standard test method provided by EN62841 and may be used for comparing one tool with another. The declared vibration emission value may also be used in a preliminary assessment of exposure.

**Warning!** The vibration emission value during actual use of the power tool can differ from the declared value depending on the ways in which the tool is used. The vibration level may increase above the level stated.

When assessing vibration exposure to determine safety measures required by 2002/44/EC to protect persons regularly using power tools in employment, an estimation of vibration exposure should consider, the actual conditions of use and the way the tool is used, including taking account of all parts of the operating cycle such as the times when the tool is switched off and when it is running idle in addition to the trigger time.

**Labels on tool**

The following symbols are shown on the tool, along with the date code:



**Warning!** To reduce the risk of injury, the user must read the instruction manual.

**Electrical safety**



This tool is double insulated; therefore no earth wire is required. Always check that the power supply corresponds to the voltage on the rating plate.

- ◆ If the supply cord is damaged, it must be replaced by the manufacturer or an authorised BLACK+DECKER Service Centre in order to avoid a hazard.

**Features**

This tool includes some or all of the following features.

1. On/off switch
2. Dust extraction connector.
3. Base
4. Tip holder
5. Sanding base tip
6. Finger attachment\*
7. Screw
8. Diamond shaped tip

In addition, this tool is supplied with some or all of the following accessories:

Accessory	Recommended application and use
Coarse grit sandpaper	Fast paint, varnish and rust removal
Medium grit sandpaper	Paint, varnish and rust removal
Fine grit sandpaper	Surface blending and finishing
Extra fine grit sandpaper	Sanding between coats
Detail sanding tips	Corners and hard to reach places
1 OT polishing/ stripping wool	Polishing metals, stripping varnish and glass cleaning
Grey foam pad	Applying and removing polish
Red non-woven pad	Heavy scrubbing and rust removal
Grey abrasive paper	Polishing plastics

**\*Please Note:** The finger attachment (6) may not be included in all units. All accessories are available from your BLACK+DECKER dealer or via our website: [www.blackanddecker.co.uk](http://www.blackanddecker.co.uk)

**Assembly**

**Warning!** Before assembly, make sure that the tool is switched off and unplugged.

**Fitting sanding sheets (fig. A & B)**

- ◆ Detach the two diamond-shaped tips (8) from the sanding sheet (9).
- ◆ Hold the tool with the sanding base facing upwards.
- ◆ Place the sanding sheet (9) onto the sanding base, making sure that the holes in the sheet line up with the holes in the base.

The diamond-shaped tip (8) can be reversed and replaced when worn.

- ◆ When the front part of the tip is worn, detach it from the sheet, reverse it and press it onto the sanding base again.
- ◆ When the whole tip is worn, remove it from the sanding base and fit a new tip.
- ◆ The polishing foam and pads (14) can be fitted the same way as the sanding sheets.

**Tip of the sanding base (fig. D)**

When the sanding base tip (5) or tip holder (4) is worn, it can be reversed or replaced. Spare parts are available from your BLACK+DECKER dealer.

- ◆ Remove the screw (7).
- ◆ Reverse or replace the worn part.
- ◆ Fit and tighten the screw.

### Finger attachment (fig. D)

The finger attachment is used for fine detail sanding.

- ◆ Remove the screw (7).
- ◆ Remove the diamond-shaped tip holder (4) from the sanding base.
- ◆ Fit the finger attachment (6) onto the sanding base.
- ◆ Fit and tighten the screw.
- ◆ Fit the appropriate sanding sheet (11) onto the finger attachment.

### Use

**Warning!** Let the tool work at its own pace. Do not overload.

**Warning!** Do not cover the ventilation slots when using the tool. Hold the tool as shown in fig. H. Make sure that the sanding base is flat on the workpiece.

### Connecting a vacuum cleaner (fig. F)

The tool has an adaptor to connect it to a vacuum cleaner when sanding wood. To connect the tool to a vacuum cleaner, proceed as follows:

**Warning!** Make sure that the tool is switched off and unplugged.

- ◆ Fit the dust extraction connector (2) onto the adapter at the back of the tool.
- ◆ Connect the hose of a suitable vacuum cleaner to the connector.

### Switching on and off (fig. G)

**Warning!** Before connecting the tool to the power supply, make sure it is switched off.

- ◆ To switch the tool on, press the part of the on/off switch (1) marked 'I'.
- ◆ To switch the tool off, press the part of the on/off switch (1) marked 'O'.

### Accessories

The performance of your tool depends on the accessory used. BLACK+DECKER accessories are engineered to high quality standards and designed to enhance the performance of your tool. By using these accessories you will get the very best from your tool.

### Maintenance

Your BLACK+DECKER tool has been designed to operate over a long period of time with a minimum of maintenance. Continuous satisfactory operation depends upon proper tool care and regular cleaning.

Your charger does not require any maintenance apart from regular cleaning.

**Warning!** Before performing any maintenance on the tool, remove unplug the charger before cleaning it.

- ◆ Regularly clean the ventilation slots in your tool using a soft brush or dry cloth.
- ◆ Regularly clean the motor housing using a damp cloth. Do not use any abrasive or solvent-based cleaner.

### Mains plug replacement (U.K. & Ireland only)

If a new mains plug needs to be fitted:

- ◆ Safely dispose of the old plug.
- ◆ Connect the brown lead to the live terminal in the new plug.
- ◆ Connect the blue lead to the neutral terminal.

**Warning!** No connection is to be made to the earth terminal. Follow the fitting instructions supplied with good quality plugs. Recommended fuse: 5 A.

### Protecting the environment



Separate collection. Products and batteries marked with this symbol must not be disposed of with normal household waste.

Products and batteries contain materials that can be recovered or recycled reducing the demand for raw materials. Please recycle electrical products and batteries according to local provisions. Further information is available at [www.2helpU.com](http://www.2helpU.com)

### Technical data

BEW230		
Input voltage	$V_{AC}$	230
Power input	W	55
No-load speed	$\text{min}^{-1}$	11,000
Weight	kg	0.8

#### Level of sound pressure according to EN 62841:

Sound pressure ( $L_{pA}$ ) 65 dB(A), uncertainty (K) 3 dB(A)

Sound power ( $L_{WA}$ ) 76 dB(A), uncertainty (K) 3 dB(A)

#### Vibration total values (triax vector sum) according to EN 62841:

( $a_w$ ) 12.5  $\text{m/s}^2$ , uncertainty (K) 1.5  $\text{m/s}^2$

## EC declaration of conformity

### MACHINERY DIRECTIVE



BEW230 Sander

Black & Decker declares that these products described under "technical data" are in compliance with:

2006/42/EC, EN62841-1-1:2015, EN62841-2-4:2014.

These products also comply with Directive 2014/30/EU and 2011/65/EU. For more information, please contact Black & Decker at the following address or refer to the back of the manual.

The undersigned is responsible for compilation of the technical file and makes this declaration on behalf of Black & Decker.

*Patrick Diepenbach*

Patrick Diepenbach  
General Manager, Benelux  
Stanley FatMax,  
Egide Walschaertsstraat 14-18  
2800 Mechelen, Belgium  
24/08/2018

## Declaration of Conformity

### The Supply of Machinery (Safety) Regulations 2008



BEW230 Sander

Stanley Europe declares that these products described under "technical data" are in compliance with:

EN 62841-1:2015 + AC:2015 + A11:2022 and EN 62841-2-4:2014 + AC:2015.

These products conform to the following UK Regulations:  
The Supply of Machinery (Safety) Regulations, 2008, S.I. 2008/1597 (as amended).

Electromagnetic Compatibility Regulations, 2016, S.I.2016/1091 (as amended).

The Restriction of the Use of Certain Hazardous Substances in Electrical and Electronic Equipment Regulations 2012, S.I. 2012/3032 (as amended).

For more information, please contact Stanley Europe at the following address or refer to the back of the manual.

The undersigned is responsible for compilation of the technical file and makes this declaration on behalf of Stanley Europe

Karl Evans  
Director – Consumer Power Tools  
Stanley Europe, 270 Bath Road, Slough,  
Berkshire, SL1 4DX  
United Kingdom  
24/08/2018

## Guarantee

Black & Decker is confident of the quality of its products and offers consumers a 24 month guarantee from the date of purchase.

This guarantee is in addition to and in no way prejudices your statutory rights.

The guarantee is valid within the territories of the Member States of the European Union and the European Free Trade Area, and the United Kingdom.

To claim on the guarantee, the claim must be in accordance with Black & Decker Terms and Conditions and you will need to submit proof of purchase to the seller or an authorised repair agent.

Terms and conditions of the Black & Decker 2 year guarantee and the location of your nearest authorised repair agent can be obtained on the Internet at [www.2helpU.com](http://www.2helpU.com), or by contacting your local Black & Decker office at the address indicated in this manual.

Please visit our website [www.blackanddecker.co.uk](http://www.blackanddecker.co.uk) to register your new Black & Decker product and receive updates on new products and special offers.



## Verwendungszweck

Ihr BLACK+DECKER-Schleifgerät BEW230 wurde zum Schleifen und Polieren von Holz, Metall, Kunststoff und lackierten Oberflächen entwickelt. Dieses Gerät ist nicht für den gewerblichen Einsatz vorgesehen.

## Sicherheitshinweise

### Allgemeine Sicherheitswarnungen für das Gerät



**Warnung!** Beachten Sie alle Sicherheitshinweise, Anweisungen, Darstellungen und Daten, die Sie mit dem Gerät erhalten. Die Nichteinhaltung der folgenden Warnungen und Anweisungen kann einen elektrischen Schlag, Brand und/oder schwere Verletzungen verursachen.

**Bewahren Sie alle Sicherheitswarnungen und Anweisungen gut auf.** Der nachfolgend verwendete Begriff "Gerät" bezieht sich auf netzbetriebene Geräte (mit Netzkabel) und auf akkubetriebene Geräte (ohne Netzkabel).

#### 1. Sicherheit im Arbeitsbereich

- a. **Halten Sie Ihren Arbeitsbereich sauber und gut ausgeleuchtet.** Unaufgeräumte oder dunkle Bereiche begünstigen Unfälle.
- b. **Betreiben Sie das Gerät nicht in Umgebungen, in denen Explosionsgefahr z. B. aufgrund von brennbaren Flüssigkeiten, Gasen oder Staub besteht.** Geräte erzeugen Funken, die den Staub oder die Dämpfe entzünden können.
- c. **Halten Sie Kinder und andere Personen während der Benutzung eines Geräts fern.** Bei Ablenkung können Sie die Kontrolle verlieren.

#### 2. Elektrische Sicherheit

- a. **Der Netzstecker des Geräts muss in die Steckdose passen. Ändern Sie niemals den Stecker in irgendeiner Form. Verwenden Sie keinerlei Adapterstecker an geerdeten Elektrogeräten.** Unveränderte Stecker und passende Steckdosen mindern die Gefahr eines elektrischen Schlages.
- b. **Vermeiden Sie Körperkontakt mit geerdeten Oberflächen von Rohren, Heizungen, Herden und Kühlschränken.** Es besteht eine erhöhte Gefahr für einen elektrischen Schlag, wenn Ihr Körper geerdet ist.
- c. **Halten Sie Geräte von Regen und Nässe fern.** Das Eindringen von Wasser in ein Gerät erhöht das Risiko eines elektrischen Schlages.
- d. **Verwenden Sie das Kabel ordnungsgemäß. Verwenden Sie es niemals zum Tragen. Trennen Sie das Gerät nicht durch Ziehen am Kabel vom Netz. Halten Sie das Kabel fern von Hitze, Öl, scharfen Kanten oder beweglichen Teilen.**

Beschädigte oder verhedderte Kabel erhöhen die Gefahr eines elektrischen Schlages.

- e. **Verwenden Sie nur für den Außenbereich zugelassene Verlängerungskabel, wenn Sie mit dem Gerät im Freien arbeiten.** Die Verwendung eines für den Außenbereich geeigneten Verlängerungskabels verringert das Risiko eines elektrischen Schlages.
  - f. **Wenn das Gerät in einer feuchten Umgebung verwendet werden muss, schließen Sie es unbedingt an eine Steckdose mit Fehlerstromschutzschalter (FI-Schalter) an.** Ein Fehlerstromschutzschalter verringert das Risiko eines elektrischen Schlages.
3. **Sicherheit von Personen**
    - a. **Seien Sie aufmerksam, achten Sie darauf, was Sie tun, und gehen Sie sachgerecht mit einem Gerät um. Benutzen Sie kein Gerät, wenn Sie müde sind oder unter dem Einfluss von Drogen, Alkohol oder Medikamenten stehen.** Ein Moment der Unachtsamkeit beim Betrieb eines Geräts kann zu schweren Verletzungen führen.
    - b. **Verwenden Sie eine geeignete Schutzausrüstung. Tragen Sie immer einen Augenschutz.** Das Tragen persönlicher Schutzausrüstung, wie Staubmaske, rutschfeste Sicherheitsschuhe, Schutzhelm oder Gehörschutz, je nach Art und Einsatz des Geräts, verringert das Risiko von Verletzungen.
    - c. **Vermeiden Sie eine unbeabsichtigte Inbetriebnahme. Vergewissern Sie sich, dass das Gerät ausgeschaltet ist, bevor Sie es an eine Steckdose oder einen Akku anschließen, es hochheben oder tragen.** Wenn Sie beim Tragen des Geräts den Finger am Schalter haben oder das Gerät eingeschaltet an die Stromversorgung anschließen, kann dies zu Unfällen führen.
    - d. **Entfernen Sie Einstell- oder Schraubenschlüssel, bevor Sie das Gerät einschalten.** Werkzeuge oder Schlüssel, die an rotierenden Teilen des Geräts angebracht sind, können zu Verletzungen führen.
    - e. **Beugen Sie sich nicht zu weit nach vorne. Sorgen Sie für einen sicheren Stand und halten Sie jederzeit das Gleichgewicht.** Dadurch können Sie das Gerät in unerwarteten Situationen besser kontrollieren.
    - f. **Tragen Sie geeignete Kleidung. Tragen Sie keine weite Kleidung und keinen Schmuck. Halten Sie Ihre Haare, Kleidung und Handschuhe von beweglichen Teilen fern.** Lose sitzende Kleidung, Schmuck oder lange Haare können sich in den beweglichen Teilen verfangen.
    - g. **Falls Vorrichtungen zum Absaugen oder Auffangen von Staub vorhanden sind, vergewissern Sie sich, dass diese angeschlossen sind und richtig verwendet werden.** Das Verwenden einer Staubauffangvorrichtung verringert Gefährdungen durch Staub.

- h. Vermeiden Sie, durch die häufige Nutzung des Werkzeugs in einen Trott zu verfallen und Prinzipien für die Werkzeugsicherheit zu ignorieren.** Eine unachtsame Aktion kann im Bruchteil einer Sekunde zu schweren Verletzungen führen.
- 4. Gebrauch und Pflege von Geräten**
- a. Überlasten Sie das Gerät nicht. Verwenden Sie das für Ihre Arbeit passende Gerät.** Das richtige Gerät wird die Aufgabe besser und sicherer erledigen, wenn es bestimmungsgemäß verwendet wird.
- b. Verwenden Sie das Gerät nicht, wenn der Ein-/Ausschalter nicht funktioniert.** Ein Gerät, das sich nicht mehr ein- oder ausschalten lässt, ist gefährlich und muss repariert werden.
- c. Ziehen Sie den Stecker aus der Steckdose, oder trennen Sie das Gerät vom Akku, bevor Sie Einstellungen vornehmen, Zubehörteile wechseln oder das Gerät lagern.** Diese Vorbeugemaßnahmen mindern die Gefahr, dass das Elektrogerät unbeabsichtigt startet.
- d. Bewahren Sie unbenutzte Geräte außerhalb der Reichweite von Kindern auf. Lassen Sie Geräte nicht von Personen benutzen, die damit nicht vertraut sind oder diese Anweisungen nicht gelesen haben.** Geräte sind in den Händen nicht geschulter Personen gefährlich.
- e. Halten Sie das Gerät in einem einwandfreien Zustand. Kontrollieren Sie, ob bewegliche Teile falsch ausgerichtet sind oder klemmen und ob Teile gebrochen oder so beschädigt sind, dass die Funktion des Geräts beeinträchtigt ist. Bei Beschädigungen lassen Sie das Gerät reparieren, bevor Sie es verwenden.** Viele Unfälle entstehen wegen mangelnder Wartung der Geräte.
- f. Halten Sie Schneidgeräte scharf und sauber.** Richtig gewartete Schneidwerkzeuge mit scharfen Klingen blockieren seltener und sind leichter unter Kontrolle zu halten.
- g. Verwenden Sie Gerät, Zubehör, Einsatz-Bits usw. entsprechend diesen Anweisungen und berücksichtigen Sie dabei die Arbeitsbedingungen und die auszuführende Arbeit.** Der Gebrauch von Geräten für andere als die vorgesehenen Zwecke kann zu gefährlichen Situationen führen.
- h. Halten Sie die Griffe trocken, sauber und frei von Öl und Fett.** Rutschige Griffe und Oberflächen unterbinden die sichere Bedienbarkeit und Kontrolle über das Werkzeug in unerwarteten Situationen.
- 6. Service**
- a. Lassen Sie das Gerät nur von qualifiziertem Fachpersonal und nur mit Originalersatzteilen reparieren.**

Damit wird sichergestellt, dass die Sicherheit des Geräts erhalten bleibt.

### Zusätzliche Sicherheitswarnungen für das Gerät



**Warnung!** Zusätzliche Sicherheitswarnungen für Schleifgeräte

- ◆ **Halten Sie das Elektrowerkzeug an den isolierten Griffflächen, da die Schleifplatte die eigene Anschlussleitung berühren könnte.** Der Kontakt mit stromführenden Leitungen kann auch offen liegende Metallteile am Gerät unter Strom setzen und zu einem Stromschlag führen.
- ◆ **Sichern Sie das Werkstück zum Beispiel mit Spannvorrichtungen auf einer stabilen Plattform.** Das Werkstück ist instabil, wenn es mit der Hand oder dem Körper abgestützt wird, was zum Verlust der Kontrolle führen kann.
- ◆ **Warnung! Die beim Schleifen von bestimmten Materialien entstehenden Stäube können bei Berührung oder Einatmen die Gesundheit schädigen.** Tragen Sie eine speziell für den Schutz vor Staub und Dämpfen vorgesehene Staubmaske, und stellen Sie sicher, dass auch andere Personen entsprechend geschützt sind, die den Arbeitsplatz betreten oder sich dort aufhalten.
- ◆ **Entfernen Sie nach dem Schleifen sorgfältig alle Staubreste.**
- ◆ **Treffen Sie beim Schleifen von möglicherweise bleihaltiger Farbe oder von bestimmten Holz- und Metallarten, die giftigen Staub bilden können, besondere Maßnahmen:**
  - ◆ **Halten Sie Kinder oder Schwangere vom Arbeitsplatz fern.**
  - ◆ **Essen, trinken und rauchen Sie nicht am Arbeitsplatz.**
  - ◆ **Entsorgen Sie Staubteilchen und andere Schleifabfälle sachgerecht.**
- ◆ **Die bestimmungsgemäße Verwendung ist in dieser Betriebsanleitung beschrieben.** Die Verwendung von Zubehör- oder Anbauteilen, die nicht in dieser Anleitung empfohlen werden, sowie die Bedienung des Geräts in Abweichung von den in dieser Anleitung beschriebenen Verfahren können zu Verletzungen und/oder Sachschäden führen.

### Sicherheit anderer Personen

- ◆ Dieses Gerät darf nicht von Personen (einschließlich Kindern) mit eingeschränkten physischen, sensorischen oder mentalen Fähigkeiten oder ohne ausreichende Erfahrung oder Kenntnisse verwendet werden, außer wenn diese Personen von einer Person, die für ihre Sicherheit verantwortlich ist, bei der Verwendung des

Geräts beaufsichtigt oder mit ihm vertraut gemacht werden.

- ◆ Kinder müssen beaufsichtigt werden, um sicherzustellen, dass sie nicht mit dem Gerät spielen.

### Restrisiken.

Beim Gebrauch dieses Geräts verbleiben zusätzliche Restrisiken, die möglicherweise nicht in den Sicherheitswarnungen genannt werden. Diese Risiken bestehen beispielsweise bei Missbrauch oder längerem Gebrauch.

Auch bei der Einhaltung der entsprechenden Sicherheitsvorschriften und der Verwendung aller Sicherheitsgeräte bestehen weiterhin bestimmte Restrisiken. Diese sind:

- ◆ Verletzungen, die durch das Berühren von sich drehenden/bewegenden Teilen verursacht werden.
- ◆ Verletzungen, die durch das Austauschen von Teilen, Messern oder Zubehör verursacht werden.
- ◆ Verletzungen, die durch längeren Gebrauch eines Geräts verursacht werden. Legen Sie bei längerem Gebrauch regelmäßige Pausen ein.
- ◆ Beeinträchtigung des Gehörs.
- ◆ Gesundheitsrisiken durch das Einatmen von Staub beim Verwenden des Geräts (beispielsweise bei Holzarbeiten, insbesondere Eiche, Buche und MDF.)

### Vibration

Die in den Abschnitten „Technische Daten“ und „EU-Konformitätserklärung“ angegebenen Werte für die Vibrationsemission wurden mit einer Standard-Prüfmethode nach EN62841 ermittelt und können zum Vergleich verschiedener Geräte herangezogen werden. Außerdem kann mit Hilfe dieses Werts die Belastung bei Verwendung des Geräts schon im Voraus eingeschätzt werden.

**Warnung!** Die bei Verwendung des Geräts auftretende Vibrationsemission hängt von der Art des Gerätegebrauchs ab und kann dementsprechend von dem angegebenen Wert abweichen. Gegebenenfalls kann die Vibration über dem angegebenen Wert liegen.

Für die Ermittlung der Vibrationsbelastung müssen die tatsächlichen Einsatzbedingungen und Verwendungen des Geräts während des gesamten Arbeitsgangs berücksichtigt werden, einschließlich der Zeiten, wenn das Gerät nicht verwendet oder im Leerlauf betrieben wird.

Diese Werte werden benötigt, um die gemäß 2002/44/EG erforderlichen Sicherheitsmaßnahmen zum Schutz von Personen festlegen zu können.

### Etiketten am Werkzeug

Am Gerät sind die folgenden Warnsymbole inkl. Datumcode angebracht:



**Warnung!** Lesen Sie vor Gebrauch die Anleitung. Andernfalls besteht Verletzungsgefahr.

### Elektrische Sicherheit



Dieses Gerät ist schutzisoliert, daher ist keine Erdleitung erforderlich. Überprüfen Sie immer, dass die Stromversorgung der Spannung auf dem Typenschild entspricht.

- ◆ Bei einer Beschädigung des Netzkabels muss dieses durch den Hersteller oder eine BLACK+DECKER-Vertragswerkstatt ausgetauscht werden, um mögliche Gefahren zu vermeiden.

### Merkmale

Dieses Gerät verfügt über einige oder alle der folgenden Merkmale:

1. Ein-/Aus-Schalter
2. Spanabsauganschluss
3. Rahmen
4. Spitzenhalter
5. Schleifplattenspitze
6. Fingerschleifaufsatz\*
7. Schraube
8. Rautenförmige Spitze

Das Werkzeug wird mit einigen oder allen der folgenden Zubehörteile geliefert:

Zubehör	Empfohlene Anwendung und Nutzung
Schleifpapier mit grober Körnung	Schnelle Entfernung von Farbe, Lack und Rost
Schleifpapier mit mittlerer Körnung	Entfernung von Farbe, Lack und Rost
Schleifpapier mit feiner Körnung	Angleichung und Endbearbeitung von Oberflächen
Schleifpapier mit extrafeiner Körnung	Zwischenschleifen
Tipps zum Dreieckschleifen	Ecken und schwer erreichbare Stellen
1 OT Polier-/Abbeizwatte	Polieren von Metallen, Abbeizen von Lack und Glasreinigung
Graues Schaumpad	Auftragen und Entfernen von Politur
Rotes Vliespad	Starkes Schrubben und Entrosten
Graues Schleifpapier	Polieren von Kunststoff

**\*Bitte beachten:** Der Fingerschleifaufsatz (6) gehört nicht zum Lieferumfang aller Modelle. Alle Zubehörteile erhalten Sie bei Ihrem BLACK+DECKER-Händler oder über unsere Website:  
www.blackanddecker.co.uk

## Montage

**Warnung!** Vergewissern Sie sich vor der Montage, dass das Gerät ausgeschaltet ist und der Netzstecker gezogen wurde.

### Anbringen der Schleifblätter (Abb. A und B)

- ◆ Trennen Sie die beiden rautenförmigen Spitzen (8) vom Schleifblatt (9) ab.
  - ◆ Halten Sie das Gerät so, dass die Schleifplatte nach oben weist.
  - ◆ Setzen Sie das Schleifblatt (9) auf die Schleifplatte auf. Achten Sie dabei darauf, dass die Löcher im Schleifblatt mit den Löchern in der Schleifplatte übereinstimmen.
- Die rautenförmige Spitze (8) kann bei Verschleiß umgedreht oder ausgetauscht werden.
- ◆ Wenn der vordere Teil der Schleifspitze verschlissen ist, trennen Sie die Schleifspitze vom Schleifblatt, drehen Sie die Spitze um, und drücken Sie sie wieder an die Schleifplatte an.
  - ◆ Ist die gesamte Spitze verschlissen, nehmen Sie sie von der Schleifplatte ab, und bringen Sie eine neue Spitze an.
  - ◆ Der Schaumstoff und die Polster zum Polieren (14) können wie die Schleifblätter montiert werden.

### Spitze der Schleifplatte (Abb. D)

Wenn die Spitze der Schleifplatte (5) oder der Spitzenhalter (4) verschlissen ist, kann sie bzw. er umgedreht oder ausgetauscht werden. Ersatzteile erhalten Sie im BLACK+DECKER-Fachhandel.

- ◆ Entfernen Sie die Schraube (7).
- ◆ Drehen Sie das verschlissene Teil um oder tauschen Sie es aus.
- ◆ Bringen Sie die Schraube an, und ziehen Sie diese fest.

### Fingerschleifaufsatz (Abb. D)

Der Fingerschleifaufsatz wird für feine Schleifarbeiten eingesetzt.

- ◆ Entfernen Sie die Schraube (7).
- ◆ Entfernen Sie den rautenförmigen Spitzenhalter (4) von der Schleifplatte.
- ◆ Bringen Sie den Fingerschleifaufsatz (6) an der Schleifplatte an.
- ◆ Bringen Sie die Schraube an, und ziehen Sie diese fest.
- ◆ Bringen Sie das entsprechende Schleifblatt (11) am Fingerschleifaufsatz an.

## Verwendung

**Warnung!** Beschleunigen Sie den Arbeitsvorgang nicht mit Gewalt. Vermeiden Sie eine Überlastung.

**Warnung!** Bedecken Sie bei der Verwendung des Geräts nicht die Lüftungsschlitze. Halten Sie das Gerät wie in Abb. H dargestellt. Achten Sie darauf, dass die Schleifplatte flach auf dem Werkstück aufliegt.

### Anschließen eines Staubsaugers (Abb. F)

Das Werkzeug verfügt über einen Adapter, um es beim Schleifen von Holz an einen Staubsauger anzuschließen. Zum Anschließen des Werkzeugs an einen Staubsauger gehen Sie wie folgt vor:

**Warnung!** Vergewissern Sie sich, dass das Gerät ausgeschaltet ist und dass der Netzstecker gezogen wurde.

- ◆ Befestigen Sie den Spanabsauganschluss (2) an dem Adapter an der Werkzeuggrückseite an.
- ◆ Schließen Sie den Schlauch eines geeigneten Staubsaugers an den Anschluss an.

### Ein- und Ausschalten (Abb. G)

**Warnung!** Bevor Sie das Werkzeug an das Stromnetz anschließen, vergewissern Sie sich, dass es ausgeschaltet ist.

- ◆ Zum Einschalten des Werkzeugs drücken Sie auf den mit 'I' gekennzeichneten Teil des Ein-/Ausschalters (1).
- ◆ Zum Ausschalten des Werkzeugs drücken Sie auf den mit '0' gekennzeichneten Teil des Ein-/Ausschalters (1).

## Zubehör

Das verwendete Zubehör hat wesentlichen Einfluss auf die Leistung des Geräts. Zubehörteile von BLACK+DECKER erfüllen höchste Qualitätsstandards und wurden speziell für die Verwendung mit Ihrem Gerät entwickelt. Bei Verwendung dieses Zubehörs erhalten Sie stets optimale Ergebnisse.

## Wartung

Ihr BLACK+DECKER Gerät wurde im Hinblick auf eine lange Lebensdauer und einen möglichst geringen Wartungsaufwand entwickelt. Ein kontinuierlicher, zufriedenstellender Betrieb hängt von der richtigen Pflege des Gerätes und seiner regelmäßigen Reinigung ab.

Das Ladegerät benötigt keine Wartung, es sollte jedoch regelmäßig gereinigt werden.

**Warnung!** Ziehen Sie vor jeglichen Wartungsarbeiten am Gerät den Netzstecker des Ladegeräts aus der Steckdose.

- ◆ Reinigen Sie regelmäßig die Lüftungsschlitze des Geräts mit Hilfe einer weichen Bürste oder eines trockenen Tuchs.
- ◆ Reinigen Sie das Motorgehäuse regelmäßig mit einem feuchten Tuch. Verwenden Sie keine scheuernden Reinigungsmittel oder Reinigungsmittel auf Lösungsmittelbasis.

## Austauschen des Netzsteckers (nur Großbritannien und Irland)

Wenn ein neuer Netzstecker angebracht werden muss:

- ◆ Entsorgen Sie den alten Stecker auf sachgerechte Weise.
- ◆ Verbinden Sie die braune Leitung mit dem spannungsführenden Anschluss des Steckers.
- ◆ Verbinden Sie die blaue Leitung mit dem neutralen Anschluss.

**Warnung!** Stellen Sie keine Verbindung mit dem Erdungsanschluss her. Befolgen Sie die Montageanweisungen, die mit hochwertigen Steckern mitgeliefert werden. Empfohlene Sicherung: 5 A.

## Umweltschutz



Getrennte Entsorgung. Produkte und Akkus mit diesem Symbol dürfen nicht mit dem normalen Hausmüll entsorgt werden.

Produkte und Akkus enthalten Materialien, die wiederverwertet werden können, um den Bedarf an Rohstoffen zu verringern. Bitte recyceln Sie elektrische Produkte und Akkus gemäß den örtlichen Bestimmungen. Weitere Informationen finden Sie auf [www.2helpU.com](http://www.2helpU.com)

## Technische Daten

		BEW230
Eingangsspannung	$V_{AC}$	230
Leistungsaufnahme	W	55
Leerlaufdrehzahl	$\text{min}^{-1}$	11.000
Gewicht	kg	0,8

### Schalldruckpegel gemäß EN 62841:

Schalldruck ( $L_{pA}$ ) 65 dB(A), Unsicherheitsfaktor (K) 3 dB(A)

Schallleistung ( $L_{WA}$ ) 76 dB(A), Unsicherheitsfaktor (K) 3 dB(A)

### Gesamtvibration (Triax-Vektorsumme) gemäß EN 62841:

(a) 12,5 m/s<sup>2</sup>, Unsicherheitsfaktor (K) 1,5 m/s<sup>2</sup>

## EU-Konformitätserklärung MASCHINENRICHTLINIE



BEW230 Schleifgerät

Black & Decker erklärt, dass die in den „Technischen Daten“ beschriebenen Geräte übereinstimmen mit:

2006/42/EC, EN62841-1:2015, EN62841-2-4:2014.

Diese Produkte entsprechen außerdem den Richtlinien 2014/30/EU und 2011/65/EU. Weitere Informationen erhalten Sie von Black & Decker unter der folgenden Adresse. Diese befindet sich auch auf der Rückseite dieser Anleitung.

Der Unterzeichnete ist verantwortlich für die Zusammenstellung der technischen Daten und gibt diese Erklärung im Namen von Black & Decker ab.

*Patrick Diepenbach*

Patrick Diepenbach  
General Manager, Benelux  
Stanley FatMax,  
Egide Walschaertsstraat 14-18  
2800 Mechelen, Belgium  
24.08.2018

## Garantie

Black & Decker vertraut auf die Qualität der eigenen Geräte und bietet dem Käufer eine außergewöhnliche Garantie von 24 Monaten ab Kaufdatum. Diese Garantie versteht sich unbeschadet der gesetzlichen Gewährleistungsansprüche und schränkt diese keinesfalls ein. Diese Garantie gilt innerhalb der Staatsgebiete der Mitgliedstaaten der Europäischen Union und der Europäischen Freihandelszone.

Zur Inanspruchnahme dieser Garantie muss sie den allgemeinen Geschäftsbedingungen von Black & Decker entsprechen und dem Verkäufer bzw. der Vertragswerkstatt ist ein Kaufnachweis vorzulegen.

Die Bedingungen für die 2-jährige Garantie von Black & Decker und den Standort Ihrer nächstgelegenen Vertragswerkstatt finden Sie im Internet unter [www.2helpU.com](http://www.2helpU.com) oder indem Sie sich an die lokale Black & Decker-Niederlassung wenden, deren Adresse Sie in dieser Anleitung finden.

Ihr neues Black & Decker Produkt können Sie auf unserer Website unter [www.blackanddecker.de](http://www.blackanddecker.de) registrieren. Dort erhalten Sie auch Informationen über neue Produkte und Sonderangebote.

## Utilisation prévue

Votre ponceuse BLACK+DECKER BEW230 a été conçue pour poncer et polir le bois, le métal, le plastique et les surfaces peintes. Cet outil est destiné à un usage grand public uniquement.

## Consignes de sécurité

### Avertissements de sécurité générale liés aux outils électriques



**Avertissement !** Veuillez lire tous les avertissements de sécurité, toutes les instructions, les illustrations et les spécifications fournies avec cet outil électrique. Le non-respect des avertissements et des instructions listés ci-dessous peut entraîner des chocs électriques, des incendies et/ou de graves blessures.

**Conservez tous les avertissements et toutes les instructions afin de pouvoir vous y référer dans le futur.** Le terme "outil électrique" mentionné dans tous les avertissements listés ci-dessous fait référence à vos outils électriques branchés sur secteur (avec câble) ou fonctionnant sur pile ou batterie (sans fil).

#### 1. Sécurité de la zone de travail

- a. **Maintenez la zone de travail propre et bien éclairée.**  
Les zones sombres ou encombrées sont propices aux accidents.
- b. **N'utilisez pas d'outils électriques dans un environnement présentant des risques d'explosion ou en présence de liquides, gaz ou poussières inflammables.** Les outils électriques créent des étincelles qui peuvent enflammer les poussières et les fumées.
- c. **Maintenez les enfants et les autres personnes éloignés lorsqu'un outil électrique est en marche.**  
Toute distraction peut vous faire perdre le contrôle de l'outil.

#### 2. Sécurité électrique

- a. **Les prises des outils électriques doivent correspondre à la prise de courant murale. Ne modifiez jamais la prise d'aucune sorte. N'utilisez aucun adaptateur avec des outils électriques reliés à la terre.** L'utilisation de prises d'origine et de prises murales appropriées permet de réduire le risque de choc électrique.
- b. **Évitez tout contact physique avec des surfaces reliées à la terre comme des tuyaux, des radiateurs, des fours et des réfrigérateurs par exemple.** Il y a sinon un risque accru de choc électrique si votre corps est lui-même relié à la terre.

- c. **N'exposez pas les outils électriques à la pluie, ni à l'humidité.** Le risque de choc électrique augmente si de l'eau pénètre dans un outil électrique.
- d. **Ne tirez pas sur le cordon d'alimentation. N'utilisez jamais le cordon pour transporter, tirer ou débrancher l'outil électrique. Maintenez le cordon éloigné de la chaleur, de substances grasses, de bords tranchants ou de pièces mobiles.** Les cordons endommagés ou emmêlés augmentent le risque de choc électrique.
- e. **Si vous utilisez un outil électrique à l'extérieur, utilisez une rallonge homologuée pour les travaux extérieurs.** L'utilisation d'une rallonge électrique homologuée pour les travaux en extérieur réduit le risque de choc électrique.
- f. **Si l'utilisation d'un outil électrique dans un endroit humide est inévitable, utilisez une alimentation électrique protégée par un disjoncteur différentiel à courant résiduel (DDR).** L'utilisation d'un disjoncteur différentiel réduit le risque de choc électrique.

#### 3. Sécurité des personnes

- a. **Restez vigilant, surveillez ce que vous faites et faites preuve de bon sens lorsque vous utilisez un outil électrique. N'utilisez pas d'outils électriques si vous êtes fatigué ou sous l'influence de drogue, d'alcool ou de médicaments.** Tout moment d'inattention pendant l'utilisation d'un outil électrique peut engendrer de graves blessures.
- b. **Portez des équipements de protection individuelle. Portez toujours une protection oculaire.** Les équipements de protection comme les masques à poussière, les chaussures de sécurité antidérapantes, les casques ou les protections auditives, utilisés à bon escient, réduisent le risque de blessures.
- c. **Empêchez tout démarrage intempestif. Assurez-vous que l'interrupteur est en position Arrêt avant de raccorder l'outil à l'alimentation électrique et/ou au bloc-batterie ou avant de ramasser ou de transporter l'outil.** Le fait de transporter les outils électriques le doigt sur l'interrupteur ou d'alimenter les outils électriques dont l'interrupteur est déjà en position de marche augmente le risque d'accidents.
- d. **Retirez toutes les clés ou pinces de réglage avant de mettre l'outil en marche.** Une clé ou une pince restée fixée sur une pièce rotative de l'outil électrique peut engendrer des blessures.
- e. **Ne vous penchez pas. Gardez les pieds bien ancrés au sol et conservez votre équilibre en permanence.** Cela permet de mieux maîtriser l'outil électrique en cas de situations imprévues.
- f. **Portez des vêtements appropriés. Ne portez aucun vêtement ample ou bijou. Gardez vos cheveux, vos vêtements et vos gants éloignés des pièces mobiles.**

Les vêtements amples, les bijoux ou les cheveux longs peuvent être happés par les pièces mobiles.

- g. Si des dispositifs pour le raccordement d'un extracteur de poussières ou des installations pour la récupération sont présents, assurez-vous qu'ils sont correctement raccordés et utilisés.** L'utilisation de dispositifs récupérateurs de poussières réduit les risques liés aux poussières.
- h. Ne pensez pas être familiarisé avec l'outil après l'avoir utilisé à de nombreuses reprises, au point de ne plus rester vigilant et d'en oublier les consignes de sécurité.** Toute action imprudente peut engendrer de graves blessures en une fraction de seconde.

#### 4. Utilisation et entretien des outils électriques

- a. Respectez la capacité de l'outil. Utilisez l'outil approprié en fonction du travail à réaliser.** Un outil adapté fonctionne mieux, de façon plus sûre et à la cadence pour laquelle il a été conçu.
- b. N'utilisez pas l'outil électrique si son interrupteur ne permet pas de l'allumer ou de l'éteindre.** Tout outil électrique qui ne peut plus être commandé par son interrupteur est dangereux et doit être réparé.
- c. Débranchez la prise du secteur et/ou retirez le bloc-batterie de l'outil électrique avant d'effectuer tout réglage, de changer un accessoire ou de ranger l'outil électrique.** Ces mesures de sécurité préventives réduisent le risque de démarrage accidentel de l'outil électrique.
- d. Rangez les outils électriques non utilisés hors de portée des enfants et ne laissez aucune personne ne connaissant pas ces outils ou leurs instructions d'utilisation les faire fonctionner.**  
Les outils électriques peuvent être dangereux entre des mains inexpérimentées.

- e. Entretenez vos outils électriques. Vérifiez que les pièces mobiles sont alignées correctement et qu'elles ne sont pas coincées. Vérifiez qu'aucune pièce n'est cassée et contrôlez l'absence de toute autre condition qui pourrait nuire au bon fonctionnement de l'outil. En cas de dommage, faites réparer l'outil électrique avant de l'utiliser.** De nombreux accidents sont provoqués par des outils électriques mal entretenus.
- f. Maintenez les organes de coupe affûtés et propres.** Des organes de coupe bien entretenus et affûtés sont moins susceptibles de rester coincés et sont plus faciles à contrôler.
- g. Utilisez l'outil électrique, les accessoires et les embouts d'outils conformément à ces instructions, en tenant compte des conditions de travail, ainsi que du travail à effectuer.** L'utilisation d'un outil électrique à des fins autres que celles pour lesquelles il a été prévu engendre des situations dangereuses.

- h. Veillez à ce que les poignées et les surfaces de préhension restent sèches et propres, sans trace d'huile ou de graisse.** Des poignées glissantes et des surfaces grasses ne permettent pas de manipuler ou de contrôler l'outil de façon sûre en cas de situation inattendue.

#### 6. Révision/Réparation

- a. Faites réparer votre outil électrique par une personne qualifiée, n'utilisant que des pièces de rechange d'origine.** Cela permet de garantir la sûreté de l'outil électrique.

#### Avertissements de sécurité supplémentaires liés aux outils électriques



**Avertissement !** Instructions de sécurité supplémentaires concernant les ponceuses

- ◆ **Tenez l'outil électrique par ses surfaces de préhension isolées afin d'empêcher que la surface abrasive entre en contact avec le cordon de l'outil.** Le sectionnement d'un fil sous tensions peut mettre les parties métalliques exposées de l'outil sous tension et provoquer un choc électrique à l'utilisateur.
- ◆ **Utilisez des pinces ou tout autre moyen pratique pour fixer et soutenir l'ouvrage sur une plateforme stable.** Tenir l'ouvrage à la main ou contre votre corps le rend instable et peut conduire à une perte de contrôle.
- ◆ **Avertissement ! Tout contact ou inhalation de poussières pendant le ponçage peut présenter un danger pour la santé de l'opérateur et des personnes éventuellement présentes à proximité.** Portez un masque anti-poussière spécialement conçu pour vous protéger des poussières et des fumées et veillez à ce que les personnes se trouvant à l'intérieur de la zone de travail ou y pénétrant soient également protégées.
- ◆ **Éliminez complètement toutes les poussières après le ponçage.**
- ◆ **Faites spécialement attention lorsque vous poncez de la peinture pouvant être à base de plomb ou lorsque vous poncez des bois et des métaux pouvant produire de la poussière toxique :**
  - ◆ **Ne laissez pas les enfants ou les femmes enceintes entrer dans la zone de travail.**
  - ◆ **Ne mangez pas, ne buvez pas ou ne fumez pas dans la zone de travail.**
  - ◆ **Éliminez toutes les particules de poussière et autres débris de façon sûre.**
- ◆ **L'utilisation prévue est décrite dans ce manuel d'utilisation.** L'utilisation d'un accessoire ou d'un équipement non spécifié ou l'utilisation de cet outil à d'autres fins que celles recommandées dans ce manuel d'utilisation présentent un risque de blessures et/ou de dommages matériels.

## Sécurité des personnes

- ◆ Cet appareil n'est pas conçu pour être utilisé par des personnes (y compris des enfants) aux capacités physiques, sensorielles ou intellectuelles réduites ou sans expérience ni connaissances, à moins qu'elles ne soient surveillées ou qu'elles aient été formées sur la façon sûre d'utiliser l'appareil, par une personne responsable de leur sécurité.
- ◆ Ne laissez jamais les enfants sans surveillance afin d'éviter qu'ils ne jouent avec l'appareil.

## Risques résiduels.

Certains risques résiduels autres que ceux mentionnés dans les avertissements sur la sécurité peuvent survenir en utilisant l'outil. Ces risques peuvent être provoqués par une utilisation incorrecte, prolongée, etc.

Malgré l'application des normes de sécurité pertinentes et la mise en œuvre de dispositifs de sécurité, certains risques résiduels ne peuvent pas être évités. Ils comprennent :

- ◆ Les blessures provoquées par le contact avec des pièces rotatives/mobiles.
- ◆ Les blessures provoquées pendant le remplacement de pièces, de lames ou d'accessoires.
- ◆ Les blessures dues à l'utilisation prolongée d'un outil. Lorsque vous utilisez un outil quel qu'il soit pendant de longues périodes, assurez-vous de faire des pauses régulières.
- ◆ La diminution de l'acuité auditive.
- ◆ Les risques pour la santé provoqués par l'inhalation des poussières générées pendant l'utilisation de votre outil (exemple : travail avec du bois, surtout le chêne, le hêtre et les panneaux en MDF)

## Vibrations

La valeur des émissions de vibrations déclarée dans les caractéristiques techniques et la déclaration de conformité a été mesurée conformément à la méthode de test normalisée établie par la norme EN62841 et elle peut être utilisée pour comparer un outil à un autre. La valeur des émissions de vibrations déclarée peut aussi être utilisée pour une évaluation préliminaire à l'exposition.

**Avertissement !** En fonction de la manière dont l'outil est utilisé, la valeur des émissions de vibrations réelles pendant l'utilisation de l'outil peut différer de la valeur déclarée. Le niveau des vibrations peut dépasser le niveau déclaré. Quand l'exposition aux vibrations est évaluée afin de déterminer les mesures de sécurité requises par la norme 2002/44/CE pour protéger les personnes utilisant régulièrement des outils électriques, cette estimation doit tenir compte des conditions réelles d'utilisation et de la façon dont l'outil est utilisé.

Il faut également tenir compte de toutes les composantes du cycle de fonctionnement comme la durée pendant laquelle l'outil est arrêté et quand il fonctionne au ralenti, ainsi que la durée du déclenchement.

## Étiquettes apposées sur l'outil

Les symboles suivants figurent sur l'outil avec le code date :



**Avertissement !** Afin de réduire le risque de blessures, l'utilisateur doit lire le manuel d'utilisation.

## Sécurité électrique



Cet outil est doublement isolé et ne nécessite donc aucun fil de liaison à la terre. Assurez-vous toujours que l'alimentation électrique correspond à la tension mentionnée sur la plaque signalétique.

- ◆ Si le câble d'alimentation est endommagé, il doit être remplacé par le fabricant ou par un centre de réparation agréé BLACK+DECKER afin d'éviter tout accident.

## Caractéristiques

Cet outil dispose de tout ou partie des éléments suivants.

1. Interrupteur Marche/Arrêt
2. Raccord pour l'extraction des poussières.
3. Semelle
4. Porte-pointe
5. Pointe de semelle de ponçage
6. Accessoire de précision\*
7. Vis
8. Pointe en losange

Cet outil est de plus livré avec les accessoires suivants en tout ou partie :

Accessoire	Utilisation recommandée
Papier abrasif à gros grain	Retrait rapide de peinture, vernis ou rouille
Papier abrasif à grain moyen	Retrait de peinture, vernis ou rouille
Papier abrasif à grain fin	Rectification et finition de surfaces
Papier abrasif à grain extra fin	Ponçage entre deux couches
Pointes de ponçage de précision	Coins et endroits difficiles d'accès
1 laine de polissage/décapage OT	Polissage des métaux, décapage de surface et nettoyage du verre
Patin en mousse grise	Application et retrait de cire
Patin non tissé rouge	Récurage lourd et élimination de la rouille
Papier abrasif gris	Polissage des plastiques

\***À noter :** L'accessoire de précision (6) peut ne pas être fourni avec tous les modèles. Tous les accessoires sont disponibles auprès de votre revendeur BLACK+DECKER ou sur notre site Internet : [www.blackanddecker.co.uk](http://www.blackanddecker.co.uk)



## Assemblage

**Avertissement !** Avant l'assemblage, assurez-vous que l'outil est éteint et débranché.

### Mise en place des feuilles abrasives (figures A et B)

- ◆ Retirez les deux pointes en forme de losange (8) de la feuille de ponçage (9).
- ◆ Tenez l'outil en orientant la semelle de ponçage vers le haut.
- ◆ Placez la feuille de ponçage (9) sur la semelle de ponçage, en alignant les trous de la feuille sur ceux de la semelle.

La pointe en losange (8) peut être retournée et réinstallée quand elle est usée.

- ◆ Lorsque l'avant de la pointe est usé, retirez-la de la feuille, retournez-la et repositionnez-la sur la semelle de ponçage.
- ◆ Lorsque l'ensemble de la pointe est usé, retirez-la de la semelle de ponçage et installez-en une neuve.
- ◆ La mousse et les patins de polissage (14) doivent être installés de la même manière que les feuilles abrasives.

### Pointe de la semelle de ponçage (Fig. D)

Lorsque la pointe de la semelle de ponçage (5) ou le porte-pointe (4) sont usés, vous pouvez les retourner ou les remplacer. Vous pouvez vous procurer des pièces de rechange auprès de votre revendeur BLACK+DECKER.

- ◆ Retirez la vis (7).
- ◆ Retournez ou remplacez la pièce usée.
- ◆ Installez et serrez la vis.

### Accessoire de précision (Fig. D)

Grâce à l'accessoire de précision, vous pouvez effectuer un ponçage de précision soigné.

- ◆ Retirez la vis (7).
- ◆ Retirez le porte-pointe losange (4) de la semelle de ponçage.
- ◆ Installez l'accessoire de précision (6) sur la semelle de ponçage.
- ◆ Installez et serrez la vis.
- ◆ Installez la feuille abrasive appropriée (11) sur l'accessoire de précision.

## Utilisation

**Avertissement !** Laissez l'outil fonctionner à son propre rythme. Ne le poussez pas au-delà de sa capacité.

**Avertissement !** Ne couvrez pas les orifices de ventilation quand l'outil est en marche. Tenez l'outil, comme indiqué par la figure H. Assurez-vous que la semelle de ponçage est bien à plat sur l'ouvrage.

### Branchement d'un aspirateur (figure F)

L'outil dispose d'un adaptateur qui permet de le raccorder à un aspirateur pour le ponçage du bois.

Pour raccorder l'outil à un aspirateur, procédez comme suit :

**Avertissement !** Assurez-vous que l'outil est éteint et débranché.

- ◆ Installez le raccord pour l'extraction des poussières (2) sur l'adaptateur à l'arrière de l'outil.
- ◆ Raccordez le tuyau d'un aspirateur adapté sur le raccord.

### Mise en marche et extinction (Fig. G)

**Avertissement !** Avant de brancher l'outil à l'alimentation électrique, assurez-vous que le bouton de mise en marche est en position d'arrêt.

- ◆ Pour mettre l'outil en marche, appuyez sur la partie marquée "I" sur l'interrupteur (1).
- ◆ Pour éteindre l'outil, appuyez sur la partie marquée "O" sur l'interrupteur (1).

## Accessoires

Les performances de votre outil dépendent de l'accessoire utilisé. Les accessoires BLACK+DECKER sont élaborés selon des normes de qualité supérieures et ils sont conçus pour améliorer les performances de votre outil. L'utilisation de ces accessoires vous permet de tirer le meilleur de votre outil.

## Maintenance

Votre outil BLACK+DECKER a été conçu pour fonctionner pendant longtemps avec un minimum d'entretien. Le fonctionnement continu et satisfaisant de l'appareil dépend de son bon entretien et de son nettoyage régulier.

Votre chargeur ne nécessite aucun entretien particulier, à l'exception d'un nettoyage régulier.

**Avertissement !** Avant de procéder à un quelconque entretien sur l'outil, débranchez le chargeur.

- ◆ Nettoyez régulièrement les orifices d'aération de votre outil à l'aide d'une brosse souple ou d'un chiffon sec.
- ◆ Nettoyez régulièrement le bloc-moteur à l'aide d'un chiffon humide. N'utilisez pas de détergents abrasifs ou à base de solvants.

### Remplacement de la prise secteur (RU et Irlande uniquement)

Si une nouvelle prise secteur doit être installée :

- ◆ Jetez l'ancienne prise de façon appropriée.
- ◆ Raccordez le fil marron à la borne de phase de la nouvelle prise.
- ◆ Raccordez le fil bleu à la borne du neutre.

**Avertissement !** Aucun branchement ne doit être fait à la borne de terre. Suivez les instructions d'installation fournies avec les prises de bonne qualité. Fusible recommandé : 5 A.

## Protection de l'environnement



Tri sélectif. Les produits et batteries marqués de ce symbole ne doivent pas être jetés avec les déchets ménagers.

Les produits et batteries contiennent des matières qui peuvent être récupérées et recyclées afin de réduire la demande en matières premières.

Veillez à recycler les produits électriques et les piles et batteries conformément aux prescriptions locales en vigueur. Pour plus d'informations, consultez le site [www.2helpU.com](http://www.2helpU.com)

## Caractéristiques techniques

		BEW230
Tension d'entrée	$V_{CA}$	230
Puissance absorbée	$W$	55
Vitesse à vide	$\text{min}^{-1}$	11 000
Poids	$kg$	0,8

### Niveau de pression sonore selon la norme EN 62841 :

Pression sonore ( $L_{pA}$ ) 65 dB(A), incertitude (K) 3 dB(A)

Puissance sonore ( $L_{WA}$ ) 76 dB(A), incertitude (K) 3 dB(A)

### Valeurs totales des vibrations (somme vectorielle triaxiale) selon la norme EN 62841 :

( $a_w$ ) 12,5  $m/s^2$ , incertitude (K) 1,5  $m/s^2$

## Déclaration de conformité CE

DIRECTIVES MACHINES



Ponceuse BEW230

Black & Decker déclare que les produits décrits dans les "Caractéristiques techniques" sont conformes aux normes : 2006/42/CE, EN62841-1:2015, EN62841-2-4:2014.

Ces produits sont également conformes aux Directives 2014/30/UE et 2011/65/UE. Pour plus de détails, veuillez contacter Black & Decker à l'adresse suivante ou consultez la dernière page du manuel.

Le soussigné est responsable de la compilation des données de la fiche technique et fait cette déclaration au nom de Black & Decker.

*Patrick Diepenbach*

Patrick Diepenbach  
General Manager, Benelux  
Stanley FatMax,  
Egide Walschaertsstraat 14-18  
2800 Mechelen, Belgium  
24/08/2018

## Garantie

Black & Decker est sûr de la qualité de ses produits et offre une garantie de 24 mois aux utilisateurs, à partir de la date d'achat. Cette garantie s'ajoute à vos droits légaux auxquels elle ne porte aucunement préjudice. Cette garantie est valable au sein des territoires des États membres de l'Union Européenne et au sein de la Zone européenne de libre-échange.

Pour prétendre à la garantie, la réclamation doit être conforme aux conditions générales de Black & Decker et vous devez fournir une preuve d'achat au vendeur ou au réparateur agréé. Les conditions générales de la garantie de 2 ans Black & Decker ainsi que l'adresse du réparateur agréé le plus proche sont disponibles sur le site Internet [www.2helpU.com](http://www.2helpU.com) ou en contactant votre agence Black & Decker locale à l'adresse indiquée dans ce manuel.

Veillez consulter notre site Internet [www.blackanddecker.co.uk](http://www.blackanddecker.co.uk) pour enregistrer votre nouveau produit Black & Decker et pour être tenu informé des nouveaux produits et offres spéciales.

(Traduzione del testo originale)

ITALIANO

## Usò previsto

La levigatrice BLACK+DECKER BEW230 è stata progettata per levigare e lucidare superfici verniciate e in legno, metallo e plastica. Questo utensile è destinato esclusivamente all'uso privato.

## Istruzioni di sicurezza

### Avvertenze di sicurezza generali per gli elettroutensili



**Avvertenza!** Leggere attentamente tutte le avvertenze, istruzioni, illustrazioni e specifiche fornite con l'elettroutensile. La mancata osservanza delle avvertenze e istruzioni elencate di seguito potrebbe dar luogo a scosse elettriche, incendi e/o lesioni gravi alle persone.

**Conservare tutte le avvertenze e le istruzioni per consultazioni successive.** Il termine "elettroutensile" che ricorre in tutte le avvertenze seguenti si riferisce ad utensili elettrici con o senza filo.

#### 1. Sicurezza nell'area di lavoro

- Mantenere pulita e bene illuminata l'area di lavoro.** Gli ambienti disordinati o scarsamente illuminati favoriscono gli incidenti.
- Evitare di usare gli elettroutensili in ambienti esposti a rischio di esplosione, ad esempio in presenza di liquidi, gas o polveri infiammabili.**

Gli elettrodomestici generano scintille che possono incendiare le polveri o i fumi.

- c. **Tenere lontani bambini e altre persone presenti mentre si usa un elettrodomestico.** Eventuali distrazioni possono provocare la perdita di controllo dello stesso.

## 2. Sicurezza elettrica

- a. **Le spine elettriche degli elettrodomestici devono essere adatte alla presa di corrente. Non modificare la spina in alcun modo. Non utilizzare spine con adattatore con gli elettrodomestici dotati di messa a terra.** Per ridurre il rischio di scosse elettriche evitare di modificare le spine e utilizzare sempre le prese di corrente appropriate.
- b. **Evitare il contatto fisico con superfici collegate a terra, come tubi, radiatori, forni e frigoriferi.** Se il corpo dell'utilizzatore è collegato a terra, il rischio di scosse elettriche aumenta.
- c. **Non esporre gli elettrodomestici alla pioggia o all'umidità.** Se penetra dell'acqua all'interno dell'elettrodomestico, il rischio di scosse elettriche aumenta.
- d. **Non utilizzare il cavo di alimentazione in modo improprio. Non utilizzare mai il cavo per spostare, tirare o scollegare l'elettrodomestico. Tenere il cavo di alimentazione lontano da fonti di calore, olio, bordi taglienti o parti in movimento.** Se il cavo di alimentazione è danneggiato o impigliato, il rischio di scosse elettriche aumenta.
- e. **Se l'elettrodomestico viene utilizzato all'aperto, usare esclusivamente prolunghie omologate per l'impiego all'esterno.** L'uso di un cavo di alimentazione adatto ad ambienti esterni riduce il rischio di scossa elettrica.
- f. **Se non è possibile evitare di lavorare in una zona umida, collegarsi a una rete elettrica protetta da un interruttore differenziale (RCD).** L'uso di un interruttore differenziale riduce il rischio di scosse elettriche.

## 3. Sicurezza delle persone

- a. **È importante concentrarsi su ciò che si sta facendo e maneggiare con giudizio l'elettrodomestico. Non utilizzare un elettrodomestico quando si è stanchi o sotto l'effetto di droghe, alcool o medicinali.** Un solo attimo di distrazione durante l'uso dell'elettrodomestico potrebbe provocare gravi lesioni personali.
- b. **Usare dispositivi di protezione individuale. Indossare dispositivi di protezione per gli occhi.** L'uso di dispositivi di protezione, quali mascherine antipolvere, scarpe antinfortunistiche antiscivolo, elmetti o protezioni auricolari in condizioni opportune consente di ridurre le lesioni personali.

- c. **Impedire l'avviamento involontario. Accertarsi che l'interruttore di accensione/spengimento sia nella posizione di spegnimento, prima di collegare l'elettrodomestico alla rete elettrica e/o alla batteria, di prenderlo in mano o di trasportarlo.** Per non esporsi al rischio di incidenti, non trasportare l'elettrodomestico tenendo le dita sull'interruttore di accensione e non collegarlo a una fonte di alimentazione elettrica con l'interruttore acceso.
  - d. **Prima di accendere un elettrodomestico, rimuovere gli eventuali utensili o chiavi di regolazione.** Un utensile di regolazione o una chiave inseriti su una parte rotante dell'elettrodomestico può provocare lesioni alle persone.
  - e. **Non sbilanciarsi. Mantenere sempre un appoggio e un equilibrio adeguati.** In tal modo è possibile controllare meglio l'elettrodomestico nelle situazioni impreviste.
  - f. **Vestirsi in maniera opportuna. Non indossare abiti lenti o gioielli. Tenere i capelli, gli indumenti e i guanti lontano dalle parti mobili.** Indumenti larghi, gioielli o capelli lunghi possono impigliarsi nelle parti in movimento.
  - g. **Se gli elettrodomestici sono provvisti di attacchi per il collegamento di dispositivi di aspirazione o di raccolta della polvere, assicurarsi che questi ultimi siano installati e utilizzati correttamente.** L'impiego di dispositivi per la raccolta della polvere può ridurre i pericoli legati a queste ultime.
  - h. **Non lasciare che la familiarità acquisita dall'uso frequente degli utensili induca a cedere alla tentazione di ignorare i principi di utilizzo sicuro degli stessi.** Un'azione imprudente potrebbe provocare lesioni gravi in una frazione di secondo.
- ## 4. Uso e cura dell'elettrodomestico
- a. **Non sovraccaricare l'elettrodomestico. Utilizzare l'elettrodomestico adatto per il lavoro da eseguire.** L'elettrodomestico corretto funziona meglio e in modo più sicuro se viene utilizzato alla velocità per cui è stato progettato.
  - b. **Non utilizzare l'elettrodomestico se l'interruttore di accensione/spengimento è difettoso.** Qualsiasi elettrodomestico che non possa essere controllato tramite l'interruttore è pericoloso e deve essere riparato.
  - c. **Scollegare la spina dalla presa di corrente e/o la batteria dall'elettrodomestico prima di regolarlo, sostituirne gli accessori o riporlo in magazzino.** Queste misure di sicurezza preventive riducono il rischio di azionare accidentalmente l'elettrodomestico.
  - d. **Quando non vengono usati, gli elettrodomestici devono essere custoditi fuori dalla portata dei bambini. Non consentire l'uso dell'elettrodomestico a persone inesperte o che non abbiano letto le presenti istruzioni d'uso.**

Gli elettroutensili sono pericolosi in mano a persone inesperte.

**e. Sottoporre gli elettroutensili a regolare manutenzione.**

**Verificare che le parti mobili siano correttamente allineate e non inceppate, che non vi siano componenti rotti e che non sussistano altre condizioni che possono compromettere il funzionamento dell'elettroutensile. Se danneggiato, far riparare l'elettroutensile prima dell'uso.** Molti incidenti sono provocati da elettroutensili non sottoposti a corretta manutenzione.

**f. Mantenere affilati e puliti gli utensili da taglio.** La manutenzione corretta degli utensili da taglio con bordi affilati riduce le probabilità di inceppamento e ne facilita il controllo.

**g. Utilizzare l'elettroutensile, gli accessori, le punte, ecc. in conformità alle presenti istruzioni, tenendo conto delle condizioni operative e del lavoro da eseguire.** L'utilizzo dell'elettroutensile per impieghi diversi da quelli previsti può dare luogo a situazioni di pericolo.

**h. Mantenere le impugnature e le superfici di presa asciutte, pulite e senza tracce di olio o grasso.** Impugnature e superfici di presa scivolose non consentono di maneggiare e controllare in modo sicuro l'elettroutensile nel caso di imprevisti.

**6. Assistenza**

**a. Fare riparare l'elettroutensile esclusivamente da personale specializzato e solo utilizzando pezzi di ricambio originali.** In questo modo sarà possibile mantenere la sicurezza dell'elettroutensile.

**Ulteriori avvertenze di sicurezza riguardanti l'elettroutensile**



**Avvertenza!** Ulteriori avvertenze di sicurezza per le levigatrici

- ◆ **Tenere l'elettroutensile per le apposite impugnature isolanti, siccome la base di levigatura potrebbe entrare in contatto con il suo stesso cavo.** Il taglio di un filo sotto tensione mette sotto tensione le parti metalliche esposte dell'elettroutensile e potrebbe esporre l'operatore a scosse elettriche.
- ◆ **Usare morsa o altri metodi pratici per fissare e bloccare il pezzo da lavorare ad una piattaforma stabile.** Tenere il pezzo in lavorazione con le mani o contro il corpo non ne assicura la stabilità e potrebbe comportare la perdita di controllo.
- ◆ **Avvertenza! Il contatto o l'inalazione della polvere generata dalla levigatura potrebbe nuocere alla salute dell'operatore e delle eventuali altre persone presenti.**

Indossare una mascherina antipolvere specifica per polveri e fumi e accertarsi che anche le persone presenti nell'area di lavoro o che vi entrano siano adeguatamente protette.

- ◆ **Dopo la levigatura, rimuovere tutta la polvere.**
- ◆ **Prestare molta attenzione quando si levigano superfici verniciate con prodotti che probabilmente contengono il piombo come componente di base oppure quando si levigano certi legni e metalli la cui polvere può essere tossica:**
  - ◆ Vietare l'accesso nell'area di lavoro a bambini o donne in gravidanza.
  - ◆ Non mangiare, bere o fumare nell'area di lavoro.
  - ◆ Smaltire polvere e rifiuti adottando le necessarie misure di sicurezza.
- ◆ **L'uso previsto è indicato nel presente manuale di istruzioni.** Se questo elettroutensile viene usato con accessori o per usi diversi da quelli raccomandati nel presente manuale, si potrebbero verificare lesioni a persone e/o danni alle cose.

**Sicurezza altrui**

- ◆ Questo elettroutensile non è destinato all'uso da parte di persone (compresi i bambini) con capacità fisiche, sensoriali o mentali ridotte, o prive di esperienza e conoscenze, salvo che non siano sottoposte a sorveglianza o ricevano istruzioni riguardo all'uso dell'elettroutensile da parte di una persona responsabile della loro sicurezza.
- ◆ Controllare che i bambini non giochino con l'elettroutensile.

**Rischi residui.**

L'utilizzo dell'apparecchio può comportare rischi residui non necessariamente riportati nelle presenti avvertenze di sicurezza. Tali rischi possono sorgere a seguito di un uso prolungato o improprio, ecc.

Malgrado il rispetto delle norme di sicurezza pertinenti e l'implementazione di dispositivi di sicurezza, alcuni rischi residui non possono essere evitati. Sono inclusi:

- ◆ lesioni causate o subite a seguito del contatto con parti rotanti/in movimento;
- ◆ lesioni causate o subite durante la sostituzione di parti, lame o accessori;
- ◆ lesioni causate dall'impiego prolungato di un elettroutensile (quando si utilizza qualsiasi apparecchio per lunghi periodi, accertarsi di fare regolarmente delle pause);
- ◆ menomazioni uditive;
- ◆ rischi per la salute causati dall'aspirazione di polvere generata dall'utilizzo dell'elettroutensile (ad esempio, quando si lavora con il legno, in modo particolare quello di quercia, faggio o l'MDF).

## Vibrazioni

I valori delle emissioni di vibrazioni dichiarati, indicati al paragrafo Dati tecnici e nella dichiarazione di conformità, sono stati misurati in base al metodo di prova standard previsto dalla normativa EN62841 e possono essere usati come parametri di confronto tra due utensili. Il valore delle emissioni di vibrazioni dichiarato può anche essere usato come valutazione preliminare dell'esposizione.

**Avvertenza!** Il valore delle emissioni di vibrazioni durante l'impiego effettivo dell'elettrotroutensile può variare da quello dichiarato a seconda delle modalità d'uso. Il livello delle vibrazioni può aumentare oltre quello dichiarato. Quando si valuta l'esposizione alle vibrazioni per determinare le misure di sicurezza richieste dalla normativa 2002/44/CE destinata alla protezione delle persone che utilizzano regolarmente elettrotroutensili per lo svolgimento delle proprie mansioni, è necessario prendere in considerazione le condizioni effettive di utilizzo e il modo in cui l'elettrotroutensile viene usato, oltre che tenere conto di tutte le componenti del ciclo operativo, vale a dire i periodi in cui l'elettrotroutensile rimane spento, quelli in cui è acceso ma fermo e quelli in cui viene effettivamente utilizzato.

## Etichette sull'elettrotroutensile

Sull'elettrotroutensile sono presenti i seguenti simboli assieme al codice data::



**Avvertenza!** Per ridurre il rischio di lesioni alle persone, l'utilizzatore deve leggere il manuale d'istruzioni.

## Sicurezza elettrica



Il doppio isolamento di cui è provvisto l'elettrotroutensile rende superfluo il filo di terra. Assicurarsi che la tensione della rete di alimentazione corrisponda al valore indicato sulla targhetta dei valori nominali.

- ◆ In caso di danneggiamento del cavo di alimentazione, farlo riparare dal produttore o presso un Centro di assistenza BLACK+DECKER autorizzato, in modo da evitare pericoli.

## Caratteristiche

Questo utensile presenta alcune o tutte le seguenti caratteristiche.

1. Interruttore di accensione/spengimento
2. Connettore per dispositivo di aspirazione polvere.
3. Base
4. Supporto punta
5. Punta base di levigatura
6. Accessorio a puntale\*
7. Vite
8. Punta romboidale

Questo elettrotroutensile viene inoltre fornito con alcuni o con tutti gli accessori elencati di seguito:

Accessorio	Applicazione e utilizzo consigliati
Carta abrasiva a grana grossa	Rimozione rapida di vernice e ruggine
Carta abrasiva a grana media	Rimozione di vernice e ruggine
Carta abrasiva a grana fine	Amalgama e finitura superficiale
Carta abrasiva a grana extra fine	Carteggiatura tra uno strato e l'altro di vernice
Punte per levigatura di particolari	Angoli e punti difficili da raggiungere
Lana per lucidatura/scrostatura da 1 OT	Lucidatura di metalli, sverniciatura e pulitura di vetri
Tampone in schiuma grigio	Applicazione e rimozione di lucido
Tampone in fibra non tessuta rosso	Sfregamento pesante e rimozione di ruggine
Carta abrasiva grigia	Lucidatura di materie plastiche

\*Nota: l'accessorio a puntale (6) potrebbe non essere incluso in tutte le unità. Tutti gli accessori sono disponibili presso il proprio rivenditore BLACK+DECKER oppure sul nostro sito web:

[www.blackanddecker.co.uk](http://www.blackanddecker.co.uk)

## Assemblaggio

**Avvertenza!** Prima di montare l'elettrotroutensile, assicurarsi che sia spento e scollegato dalla presa di corrente.

## Montaggio dei fogli di carta abrasiva (Figg. A e B)

- ◆ Staccare le due punte di levigatura romboidali (8) dal foglio di carta abrasiva (9).
- ◆ Tenere l'elettrotroutensile con la base di levigatura rivolta verso l'alto.
- ◆ Posizionare il foglio di carta abrasiva (9) sulla base, verificando che i fori presenti sul foglio si allineino a quelli della base.

La punta romboidale (8) può essere invertita e sostituita quando è usurata.

- ◆ Quando la parte anteriore della punta è consumata, staccarla dal foglio, girarla e fissarla di nuovo alla base.
- ◆ Quando tutta la punta è consumata, rimuoverla dalla base di levigatura e sostituirla con una punta nuova.

- ◆ I tamponi per lucidatura in schiuma (14) possono essere installati allo stesso modo dei fogli di carta abrasiva.

### Punta della base di levigatura (Fig. D)

Quando la punta della base di levigatura (5) o il portapunta (4) sono consumati, è possibile invertirli oppure sostituirli. Le parti di ricambio sono disponibili presso il proprio rivenditore BLACK+DECKER.

- ◆ Rimuovere la vite (7).
- ◆ Invertire o sostituire la parte consumata.
- ◆ Inserire e serrare la vite.

### Accessorio a puntale (Fig. D)

Utilizzare l'accessorio a puntale per eseguire una levigatura accurata dei particolari.

- ◆ Rimuovere la vite (7).
- ◆ Rimuovere il supporto della punta romboidale (4) dalla base di levigatura.
- ◆ Applicare l'accessorio a puntale (6) sulla base di levigatura.
- ◆ Inserire e serrare la vite.
- ◆ Montare il foglio di carta abrasiva idoneo (11) sull'accessorio a puntale.

### Utilizzo

**Avvertenza!** Lasciare che l'elettrotensile funzioni al proprio ritmo. Non sovraccaricarlo.

**Avvertenza!** Non coprire le prese di ventilazione durante l'utilizzo dell'elettrotensile. Tenere l'elettrotensile come illustrato nella Fig. H. Verificare che la base di levigatura poggi in piano sul pezzo.

### Collegamento a un aspirapolvere (Fig. F)

L'utensile è dotato di un adattatore per collegarlo a un aspirapolvere durante la levigatura del legno. Per collegare l'utensile a un adattatore, procedere come di seguito:

**Avvertenza!** Assicurarsi che l'elettrotensile sia spento e disinserito.

- ◆ Inserire il raccordo per l'aspirazione della polvere (2) sull'adattatore sul retro della levigatrice.
- ◆ Collegare il tubo di un aspirapolvere adatto al connettore.

### Accensione e spegnimento (Fig. G)

**Avvertenza!** Prima di collegare l'utensile all'alimentazione elettrica, accertarsi che sia spento.

- ◆ Per accendere l'elettrotensile, premere la parte dell'interruttore acceso/spento (1) contrassegnata dal simbolo 'I'.
- ◆ Per spegnere l'elettrotensile, premere la parte dell'interruttore acceso/spento (1) contrassegnata dal simbolo 'O'.

### Accessori

Le prestazioni dell'elettrotensile dipendono dall'accessorio usato. Gli accessori BLACK+DECKER sono stati fabbricati in base a standard qualitativi elevati e sono stati progettati per ottenere le migliori prestazioni dall'elettrotensile. Utilizzando questi accessori si otterrà il meglio dall'elettrotensile.

### Manutenzione

Questo elettrotensile BLACK+DECKER è stato progettato per funzionare a lungo con una manutenzione minima.

Prestazioni sempre soddisfacenti dipendono da una cura appropriata e da una pulizia regolare.

Il caricabatterie non richiede alcuna manutenzione, ad eccezione di una regolare pulizia.

**Avvertenza!** Prima di eseguire interventi di manutenzione sull'elettrotensile, scollegare il caricabatteria prima di pulirlo.

- ◆ Le prese di ventilazione dell'elettrotensile devono essere pulite regolarmente con un pennello morbido o un panno asciutto.
- ◆ Pulire regolarmente il vano del motore con un panno umido. Non usare materiali abrasivi o detergenti a base di solventi.

### Sostituzione della spina (solo Regno Unito e Irlanda)

Se dovesse essere necessario installare una nuova spina:

- ◆ smaltire in sicurezza quella vecchia;
- ◆ collegare il filo marrone al morsetto sotto tensione della nuova spina.
- ◆ collegare il filo blu al morsetto neutro.

**Avvertenza!** Non deve essere effettuato alcun collegamento al terminale di messa a terra. Seguire le istruzioni di montaggio fornite con le spine di buona qualità. Fusibile raccomandato: 5 A.

### Protezione dell'ambiente



Raccolta differenziata. I prodotti e le batterie contrassegnati con questo simbolo non devono essere smaltiti con i rifiuti domestici normali.

Prodotti e batterie contengono materiali che possono essere recuperati o riciclati, riducendo la richiesta di materie prime. Riciclare i prodotti elettrici e le batterie attenendosi alle disposizioni locali vigenti. Ulteriori informazioni sono disponibili all'indirizzo [www.2helpU.com](http://www.2helpU.com).

## Dati tecnici

BEW230		
Tensione in ingresso	$V_{AC}$	230
Potenza assorbita	W	55
Velocità a vuoto	$\text{min}^{-1}$	11.000
Peso	kg	0,8

### Livello di pressione sonora misurato in base a EN 62841:

Pressione sonora ( $L_{pa}$ ) 65 dB(A), incertezza (K) 3 dB(A)

Potenza acustica ( $L_{WA}$ ) 76 dB(A), incertezza (K) 3 dB(A)

### Valori totali di emissioni di vibrazioni (somma vettoriale triassiale) in conformità alla norma EN 62841:

(a.) 12.5 m/s<sup>2</sup>, incertezza (K) 1.5 m/s<sup>2</sup>

## Dichiarazione di conformità CE

DIRETTIVA MACCHINE



Levigatrice BEW230

Black & Decker dichiara che i prodotti descritti al paragrafo "Dati tecnici" sono conformi alle seguenti normative: 2006/42/EC, EN62841-1:2015, EN62841-2-4:2014.

Questi prodotti sono conformi alla Direttiva 2014/30/UE e 2011/65/UE. Per ulteriori informazioni contattare Black & Decker al seguente indirizzo oppure consultare l'ultima di copertina del manuale.

Il sottoscritto è responsabile della redazione di questo documento tecnico e rilascia questa dichiarazione per conto di Black&Decker.

*Patrick Diepenbach*

Patrick Diepenbach  
General Manager, Benelux  
Stanley FatMax,  
Egide Walschaertsstraat 14-18  
2800 Mechelen, Belgium  
24/08/2018

## Garanzia

Black & Decker è certa della qualità dei propri prodotti e offre ai consumatori una garanzia di 24 mesi dalla data di acquisto. Il presente certificato di garanzia è complementare ai diritti legali e non li pregiudica in alcun modo. La garanzia è valida nei territori degli Stati membri dell'Unione Europea o dell'EFTA (Associazione europea di libero scambio).

Per attivare la garanzia, il reclamo deve essere effettuato in accordo con i Termini e Condizioni Black & Decker e sarà necessario presentare la prova di acquisto al venditore o all'agente di riparazione autorizzato.

I Termini e condizioni della garanzia Black & Decker di 2 anni e la sede del tecnico riparatore autorizzato più vicino sono consultabili su Internet all'indirizzo [www.2helpU.com](http://www.2helpU.com), o contattando il proprio ufficio Black & Decker di zona all'indirizzo indicato in questo manuale.

Visitare il nostro sito [www.blackanddecker.it](http://www.blackanddecker.it) per registrare il prodotto Black & Decker appena acquistato e ricevere gli aggiornamenti su nuovi prodotti e offerte speciali.

(Vertaling van de originele instructies)

**NEREDLANDS**

## Bedoeld gebruik

De BLACK+DECKER schuurmachine BEW230 is ontworpen voor het schuren en polijsten van hout, metaal, kunststof en geverfde oppervlakken. Dit gereedschap is uitsluitend bestemd voor consumentengebruik.

## Veiligheidsinstructies

### Algemene veiligheidswaarschuwingen voor elektrisch gereedschap



**Waarschuwing!** Lees alle veiligheidswaarschuwingen, instructies, illustraties en specificaties die bij dit gereedschap zijn meegeleverd. Wanneer de volgende waarschuwingen en voorschriften niet in acht worden genomen, kan dit een elektrische schok, brand of ernstig letsel tot gevolg hebben.

### Bewaar alle waarschuwingen en instructies als referentiemateriaal.

De hierna gebruikte term 'elektrisch gereedschap' in alle waarschuwingen die hieronder worden vermeld, heeft betrekking op elektrisch gereedschap voor gebruik op netspanning (met netsnoer) of met een accu (snoerloos).

#### 1. Veilige werkomgeving

- Houd uw werkomgeving schoon en goed verlicht.** Op rommelige of donkere plekken zullen sneller ongelukken gebeuren.
- Werk niet met elektrisch gereedschap in een omgeving met explosiegevaar, zoals in de nabijheid van brandbare vloeistoffen, gasen of stof.** Elektrisch gereedschap veroorzaakt vonken die het stof of de dampen kunnen doen ontbranden.
- Houd kinderen en omstanders tijdens het gebruik van elektrisch gereedschap op afstand.** Als u wordt afgeleid, kunt u de controle over het gereedschap verliezen.

#### 2. Elektrische veiligheid

- De netstekker van het elektrisch gereedschap moet in het stopcontact passen.**

- Pas de stekker nooit op enige manier aan. Gebruik geen adapterstekkers in combinatie met geaard elektrisch gereedschap.** Niet-aangepaste stekkers en passende contactdozen verminderen het risico van een elektrische schok.
- b. **Vermijd aanraking van het lichaam met geaarde oppervlakken, bijvoorbeeld buizen, verwarmingen, fornuizen en koelkasten.** Er bestaat een verhoogd risico van een elektrische schok als uw lichaam contact heeft met aarde.
  - c. **Stel elektrisch gereedschap niet bloot aan regen en vocht.** Als er water in een elektrisch gereedschap dringt, verhoogt dit het risico van een elektrische schok.
  - d. **Behandel het snoer voorzichtig. Gebruik het snoer nooit om het elektrisch gereedschap te dragen of naar u toe te trekken, of de stekker uit het stopcontact te halen. Houd het snoer uit de buurt van warmtebronnen, olie, scherpe randen, of bewegende onderdelen.** Beschadigde snoeren of snoeren die in de war zijn geraakt, verhogen het risico van een elektrische schok.
  - e. **Gebruik, wanneer u buitenshuis met elektrisch gereedschap werkt, alleen verlengsnoeren die zijn goedgekeurd voor gebruik buitenshuis.** Het gebruik van een verlengsnoer dat geschikt is voor buiten vermindert het risico van een elektrische schok.
  - f. **Als u met elektrisch gereedschap werkt op een vochtige locatie, gebruik dan een aardlekschakelaar (RCD).** Het gebruik van een aardlekschakelaar vermindert het risico van een elektrische schok.
3. **Persoonlijke veiligheid**
    - a. **Blijf alert, let goed op wat u doet en ga met verstand te werk bij het gebruik van elektrisch gereedschap. Gebruik elektrisch gereedschap niet als u vermoeid bent of onder de invloed van drugs, alcohol of medicatie bent.** Een moment van onoplettendheid tijdens het werken met elektrisch gereedschap kan leiden tot ernstig persoonlijk letsel.
    - b. **Draag persoonlijke beschermende uitrusting. Draag altijd oogbescherming.** Beschermende uitrusting, zoals een stofmasker, antislip veiligheidsschoenen, een helm, of gehoorbescherming, gebruikt in de juiste omstandigheden, zal het risico op persoonlijk letsel verminderen.
    - c. **Voorkom per ongeluk inschakelen. Controleer dat de schakelaar in de uit-stand staat voordat u het gereedschap aansluit op het stopcontact en/of de accu plaatst en voordat u het gereedschap optilt of gaat dragen.** Het dragen van elektrisch gereedschap met uw vinger op de schakelaar of het aanzetten van elektrisch gereedschap waarvan de schakelaar aan staat, kan leiden tot ongelukken.
    - d. **Verwijder instelgereedschap of schroef sleutels voordat u het elektrisch gereedschap inschakelt.** Een steeksleutel of een inbussleutel in een draaiend deel van het elektrisch gereedschap kan tot persoonlijk letsel leiden.
    - e. **Reik niet buiten uw macht. Blijf altijd stevig en in balans op de grond staan.** Dit geeft u betere controle over het elektrisch gereedschap in onverwachte situaties.
    - f. **Draag geschikte kleding. Draag geen loszittende kleding of sieraden. Houd uw haar, kleding en handschoenen uit de buurt van bewegende onderdelen.** Loszittende kleding, sieraden of lang haar kunnen door bewegende delen worden gegrepen.
    - g. **Als voorzieningen voor stofafzuiging of stofopvang kunnen worden gemonteerd, controleer dan dat deze zijn aangesloten en op de juiste wijze worden gebruikt.** Het gebruik van stofafzuiging kan aan stof gerelateerde gevaren verminderen.
    - h. **Word niet gemakzuchtig doordat u door veelvuldig gebruik vertrouwd bent geraakt met het gereedschap, en verlies niet de veiligheidsbeginselen uit het oog.** Een onvoorzichtige handeling kan in een fractie van een seconde ernstig letsel tot gevolg hebben.
  4. **Gebruik en onderhoud van elektrisch gereedschap**
    - a. **Overbelast het elektrisch gereedschap niet. Gebruik het juiste elektrisch gereedschap voor uw toepassing.** Met het juiste elektrisch gereedschap kunt u de werkzaamheden waarvoor het gereedschap is ontworpen, beter en veiliger uitvoeren.
    - b. **Gebruik het elektrisch gereedschap niet als de schakelaar niet goed werkt.** Ieder elektrisch gereedschap dat niet met de schakelaar kan worden bediend, is gevaarlijk en moet worden gerepareerd.
    - c. **Trek de stekker uit het stopcontact en/of de accu uit het elektrisch gereedschap voordat u het gereedschap instelt, accessoires wisselt of het elektrisch gereedschap opbergt.** Dergelijke preventieve veiligheidsmaatregelen verminderen het risico dat het elektrisch gereedschap per ongeluk wordt gestart.
    - d. **Bewaar elektrisch gereedschap dat niet wordt gebruikt, buiten bereik van kinderen. Laat niet personen die er niet vertrouwd mee zijn en deze aanwijzingen niet hebben gelezen met het gereedschap werken.** Elektrisch gereedschap is gevaarlijk in handen van ongetrainde gebruikers.
    - e. **Onderhoud het gereedschap goed. Controleer dat bewegende delen van het elektrisch gereedschap wel goed functioneren en niet klemmen, en dat er niet onderdelen zodanig zijn gebroken of beschadigd dat de werking van het gereedschap nadelig wordt beïnvloed.**



**Laat het gereedschap voor gebruik repareren als het beschadigd is.** Veel ongelukken worden veroorzaakt door slecht onderhouden elektrisch gereedschap.

- f. **Houd zaag- en snijgereedschap scherp en schoon.** Goed onderhouden zaaggereedschap met scherpe snijvlakken loopt minder snel vast en is gemakkelijker onder controle te houden.
  - g. **Gebruik elektrisch gereedschap, accessoires, zaagjes en boortjes, enz., volgens deze aanwijzingen. Let daarbij op de arbeidsomstandigheden en de uit te voeren werkzaamheden.** Gebruik van het elektrisch gereedschap voor werkzaamheden die anders zijn dan bedoeld, kan leiden tot een gevaarlijke situatie.
  - h. **Houd de handgrepen droog, schoon en vrij van olie en vet.** Gladde handgrepen en hellende oppervlakken maken het moeilijk het gereedschap veilig te hanteren en onder controle te houden in onverwachte situaties.
6. **Service**
- a. **Laat het gereedschap alleen repareren door gekwalificeerd en vakkundig personeel en alleen met originele vervangingsonderdelen.** De veiligheid van het gereedschap blijft dan gewaarborgd.

### Aanvullende veiligheidswaarschuwingen voor elektrisch gereedschap



**Waarschuwing!** Aanvullende veiligheids-waarschuwingen voor schuurmachines

- ◆ **Houd het elektrisch gereedschap vast bij de geïsoleerde handgrepen, omdat het schuuroppervlak in contact kan komen met het snoer.** Als een draad onder spanning wordt geraakt, komen onbedekte metalen onderdelen van het gereedschap onder spanning te staan en kunt u een elektrische schok krijgen.
- ◆ **Zet het werkstuk met klemmen of op een andere praktische manier vast en ondersteun het werkstuk op een stabiele ondergrond.** Wanneer u het werkstuk vasthoudt met de hand of het tegen uw lichaam gedrukt houdt, is het instabiel en kunt u de controle verliezen.
- ◆ **Waarschuwing! Contact met of inademing van het stof dat bij het schuren vrijkomt, kan de gezondheid van de gebruiker en omstanders schaden.** Draag een stofmasker dat speciaal is ontworpen ter bescherming tegen stof en dampen, en zorg ervoor dat andere personen op de werkplek ook zijn beschermd.
- ◆ **Verwijder zorgvuldig alle stof na het schuren.**
- ◆ **Neem speciale maatregelen bij het schuren van verf die mogelijk een loodbasis heeft of bij het schuren van bepaalde hout- en metaalsoorten die mogelijk giftige stoffen produceren:**
  - ◆ **Laat kinderen of zwangere vrouwen niet toe tot de werkplek.**

- ◆ **Eet, drink of rook niet op de werkplek.**
- ◆ **Verwijder stofdeeltjes en ander afval op veilige en verantwoorde wijze.**
- ◆ **Het bedoeld gebruik wordt beschreven in deze gebruiksaanwijzing.** Het gebruik van andere accessoires of hulpstukken of uitvoering van andere handelingen met dit gereedschap dan die in deze instructiehandleiding worden aanbevolen, kan leiden tot persoonlijk letsel en/of materiële schade.

### Veiligheid van anderen

- ◆ Het is niet de bedoeling dat deze machine wordt gebruikt door personen (waaronder kinderen) met verminderde fysieke, zintuiglijke of psychische vermogens, of met een gebrek aan ervaring en kennis, tenzij onder toezicht van of met aanwijzingen over het gebruik van de machine door een persoon die verantwoordelijk is voor hun veiligheid.
- ◆ Houd toezicht op kinderen zodat zij niet met het apparaat kunnen spelen.

### Overige risico's.

Er kunnen zich bij het gebruik van dit gereedschap nog meer risico's voordoen, die mogelijk niet in de bijgesloten veiligheidswaarschuwingen worden beschreven. Deze risico's kunnen zich voordoen door onoordeelkundig gebruik, langdurig gebruik, enz.

Zelfs wanneer de veiligheidsvoorschriften in acht worden genomen en de veiligheidsvoorzieningen worden gebruikt, kunnen bepaalde risico's niet worden uitgesloten. Dit zijn onder meer:

- ◆ Verwondingen die worden veroorzaakt door het aanraken van draaiende of bewegende onderdelen.
- ◆ Verwondingen die worden veroorzaakt bij het vervangen van onderdelen, zaagbladen of accessoires.
- ◆ Verwondingen die worden veroorzaakt door langdurig gebruik van gereedschap. Wanneer u langere periodes met gereedschap werkt, kunt u het beste regelmatig een pauze nemen.
- ◆ Gehoorbeschadiging.
- ◆ Gezondheidsrisico's door het inademen van stof dat vrijkomt tijdens het gebruik van uw gereedschap (bijvoorbeeld: het werken met hout, met name eiken, beuken en MDF).

### Trillingen

De aangegeven waarden voor trillingsemisatie in de technische gegevens en de conformiteitsverklaring, zijn gemeten volgens een standaardtestmethode die door EN62841 wordt verstrekt en door middel waarvan het ene gereedschap met het andere wordt vergeleken. De aangegeven waarde voor trillingsemisatie kan ook worden gebruikt bij een voorlopige bepaling van blootstelling.

**Waarschuwing!** De waarde voor trillingsemissie tijdens het werkelijke gebruik van het elektrisch gereedschap kan verschillen van de aangegeven waarde afhankelijk van de manieren waarop het gereedschap wordt gebruikt. Het trillingsniveau kan toenemen tot boven het aangegeven niveau. Bij beoordeling van de blootstelling aan trillingen met het doel vast te stellen welke veiligheidsmaatregelen 2002/44/EG vereist ter bescherming van personen die tijdens hun werk regelmatig elektrisch gereedschap gebruiken, moet bij een inschatting van de blootstelling aan trillingen rekening worden gehouden met de werkelijke gebruiksomstandigheden en de manier waarop het gereedschap wordt gebruikt. Daarbij moet ook rekening worden gehouden met alle onderdelen van de bedrijfscyclus, zoals wanneer het gereedschap wordt uitgeschakeld en wanneer het gereedschap stationair loopt en ook de aanlooptijd.

**Etiketten op het gereedschap**

Behalve van de datumcode is het gereedschap voorzien van de volgende symbolen:



**Waarschuwing!** De gebruiker moet de instructiehandleiding lezen zodat het risico van letsel wordt beperkt.

**Elektrische veiligheid**



Dit gereedschap is dubbel geïsoleerd, daarom is een aardeaansluiting niet vereist. Controleer altijd dat de stroomvoorziening overeenkomt met de voltage op het typeplaatje.

- ◆ Als het netsnoer is beschadigd, moet het door de fabrikant of door een geautoriseerd BLACK+DECKER-servicecentrum worden vervangen, zodat gevaarlijke situaties worden voorkomen.

**Functies**

Dit gereedschap is voorzien van enkele of alle van de volgende functies.

1. Aan/Uit-schakelaar
2. Stofzuiger aansluiting.
3. Basis
4. Punthouder
5. Punt van schuurzool
6. Schuurhulpstuk voor detailwerk\*
7. Schroef
8. Ruitvormige punt

Verder worden bij het apparaat één of meer van de volgende hulpstukken geleverd:

Hulpstuk	Aanbevolen toepassing en gebruik
Grof schuurpapier	Sneldrogende verf, vernis en roest verwijderen

Medium schuurpapier	Verf, vernis en roest verwijderen
Fijn schuurpapier	Afvlakken en polijsten
Extrafijn schuurpapier	Schuren na het aanbrengen van een verflaag
Tips voor schuren van details	Hoeken en moeilijk bereikbare plaatsen
1 OT polijst-/staalwol	Metaal polijsten, vernis strippen en glas reinigen
Grijs schuimkussen	Was aanbrengen en verwijderen
Rood non-woven kussen	Zwaar poetsen en roestverwijderen
Grijs schuurpapier	Kunststof polijsten

\***N.B.:** Schuurhulpstuk voor detailwerk (6) zal misschien niet bij alle machines worden geleverd. Alle accessoires zijn verkrijgbaar bij uw BLACK+DECKER-dealer of via onze website: [www.blackanddecker.co.uk](http://www.blackanddecker.co.uk)

**Montage**

**Waarschuwing!** Controleer voor aanvang van de montage dat het apparaat is uitgeschakeld en de netstekker uit het stopcontact is getrokken.

**Schuurpapier plaatsen (afb. A & B)**

- ◆ Maak de twee ruitvormige punten (8) van het vel schuurpapier (9) los.
- ◆ Houd het gereedschap vast met de schuurzool naar boven gericht.
- ◆ Plaats het vel schuurpapier (9) op de schuurzool en zorg er daarbij voor dat de gaten in het papier aansluiten op de gaten in de zool.

De ruitvormige punt (8) kan worden omgedraaid en worden vervangen wanneer deze is versleten.

- ◆ Wanneer het voorste gedeelte van de punt is versleten, verwijder dan de punt van het papier, draai het vel om en druk het weer tegen de schuurzool.
- ◆ Wanneer de hele punt is versleten, verwijder dan het vel van de schuurzool en plaats een nieuw.
- ◆ Het polijstschuim en de polijstschijven (14) kunnen op dezelfde manier als de vellen schuurpapier worden bevestigd.

**Punt van de schuurzool (afb. D)**

Wanneer de schuurzoolpunt (5) of de punthouder (4) is versleten, kan deze worden omgedraaid of vervangen.

Reserveonderdelen zijn verkrijgbaar via uw BLACK+DECKER leverancier.

- ◆ Verwijder de schroef (7).
- ◆ Draai het versleten deel om of vervang het.
- ◆ Plaats de schroef terug en draai de schroef vast.

### Hulpstuk voor detailwerk (afb. D)

Het hulpstuk voor detailwerk wordt gebruikt voor het fijne schuurwerk.

- ◆ Verwijder de schroef (7).
- ◆ Verwijder de ruitvormige punthouder (4) van de schuurzool.
- ◆ Plaats het hulpstuk (6) op de schuurzool.
- ◆ Plaats de schroef terug en draai de schroef vast.
- ◆ Plaats het juiste schuurpapier (11) op het hulpstuk.

### Gebruik van het apparaat

**Waarschuwing!** Laat het gereedschap op z'n eigen snelheid werken. Overbelast het gereedschap niet.

**Waarschuwing!** Bedek tijdens het gebruik van het gereedschap de ventilatieopeningen niet. Houd het gereedschap vast zoals in afb. H. Zorg er voor dat de schuurzool plat op het werkstuk ligt.

### Stofzuiger aansluiten (fig. F)

Het gereedschap is voorzien van een stofzuiger aansluiting, zodat u deze tijdens het schuren kunt aansluiten. Volg de volgende stappen om de stofzuiger aan te sluiten:

**Waarschuwing!** Let erop dat het gereedschap moet zijn uitgeschakeld en de stekker niet in het stopcontact mag zitten.

- ◆ Sluit de connector (2) van de stofzuiger aan op de adapter aan de achterzijde van het gereedschap.
- ◆ Sluit de slang van een geschikte stofzuiger aan op de connector.

### In- en uitschakelen (afb. G)

**Waarschuwing!** Controleer voordat u het apparaat op de netspanning aansluit of het is uitgeschakeld.

- ◆ Druk wanneer u het gereedschap wilt inschakelen het met 'I' gemarkeerde deel van de aan/uitschakelaar (1) in.
- ◆ Druk wanneer u het gereedschap wilt uitschakelen het met '0' gemarkeerde deel van de aan/uit-schakelaar (1) in.

### Accessoires

De prestaties van het gereedschap zijn afhankelijk van de gebruikte accessoires. Accessoires van BLACK+DECKER zijn ontworpen om aan hoge kwaliteitsnormen te voldoen en de prestaties van uw gereedschap te verhogen. Door deze accessoires te gebruiken kunt u uw gereedschap nog beter laten presteren.

### Onderhoud

Uw BLACK+DECKER-gereedschap is ontworpen om gedurende langere periode te functioneren met een minimum aan onderhoud. Het continu naar tevredenheid functioneren hangt af van de juiste zorg voor het gereedschap en regelmatig schoonmaken.

Behalve regelmatige reiniging vraagt de lader geen onderhoud.

**Waarschuwing!** Trek voordat u onderhoud aan het gereedschap uitvoert, of deze reinigt, de stekker van de lader uit het stopcontact.

- ◆ Maak de ventilatieopeningen van uw gereedschap regelmatig schoon met een zachte borstel of een droge doek.
- ◆ Reinig de behuizing van de motor regelmatig met een vochtige doek. Gebruik niet een schurend schoonmaakmiddel of een schoonmaakmiddel op basis van een oplosmiddel.

### Netstekker vervangen (alleen VK en Ierland)

Als er een nieuwe netstekker moet worden gemonteerd:

- ◆ Gooi de oude stekker op verantwoorde wijze weg.
- ◆ Sluit de bruine draad aan op de spanningvoerende pool in de nieuwe stekker.
- ◆ Sluit de blauwe draad op de niet-spanningvoerende pool.

**Waarschuwing!** Er moet geen verbinding tot stand worden gebracht met de aardeaansluiting. Volg de montage-instructies die bij stekkers van goede kwaliteit worden geleverd. Aanbevolen zekering: 5 A.

### Het milieu beschermen



Gescheiden afvalinzameling. Producten en accu's waarop dit symbool is aangebracht, mogen niet bij het normale huishoudafval worden weggegooid.

Producten en accu's bevatten materialen die kunnen worden teruggewonnen of gerecycled en dat doet de vraag naar grondstoffen afnemen.

Recycle elektrische producten en accu's volgens de ter plaatse geldende bepalingen. Nadere informatie is beschikbaar op [www.2helpU.com](http://www.2helpU.com)

### Technische gegevens

		BEW230
Ingangsspanning	V <sub>AC</sub>	230
Vermogen	W	55
Snelheid onbelast	min <sup>-1</sup>	11.000
Gewicht	kg	0,8

#### Geluidsdrumniveau, volgens EN 62841:

Geluidsdruk (L<sub>pa</sub>) 65 dB(A), meetonzekerheid (K) 3 dB(A)

Geluidsvermogen (L<sub>WA</sub>) 76 dB(A), meetonzekerheid (K) 3 dB(A)

Totale trillingswaarden (som triaxvector) volgens EN 62841:

(a) 12,5 m/s<sup>2</sup>; onzekerheid (K) 1,5 m/s<sup>2</sup>

**EG conformiteitsverklaring**  
RICHTLIJN VOOR MACHINES



BEW230 Schuurmachine

Black & Decker verklaart hierbij dat de producten die worden beschreven onder "technische gegevens", voldoen aan: 2006/42/EC, EN62841-1:2015, EN62841-2-4:2014.

Deze producten voldoen tevens aan richtlijn 2014/30/EU en 2011/65/EU. Neem voor meer informatie contact op met Black & Decker op het volgende adres of raadpleeg de achterzijde van de handleiding.

Ondergetekende is verantwoordelijk voor de samenstelling van het technische bestand en legt deze verklaring af namens Black & Decker.

*Patrick Diepenbach*

Patrick Diepenbach  
General Manager, Benelux  
Stanley FatMax,  
Egide Walschaertsstraat 14-18  
2800 Mechelen, Belgium  
24-8-2018

**Garantie**

Black & Decker heeft vertrouwen in zijn producten en biedt consumenten een garantie van 24 maanden vanaf de aankoopdatum. Deze garantie vormt een aanvulling op uw wettelijke rechten en beperken deze niet. De garantie is geldig op het grondgebied van de Lidstaten van de Europese Unie en de Europese Vrijhandelszone.

Voor een garantie-aanspraak moet uw aanspraak in overeenstemming zijn met de Voorwaarden en Condities van Black & Decker en moet u een bewijs van aankoop overleggen aan de verkoper of aan een geautoriseerde reparatiemonteur.

Voorwaarden en condities van de 2-jarige garantie van Black & Decker en het adres van de vestiging van het geautoriseerde reparatiecentrum bij u in de buurt, kunt u vinden op internet op [www.2helpU.com](http://www.2helpU.com), of door contact op te nemen met het Black & Decker-kantoor ter plaatse, op het adres dat in deze handleiding wordt vermeld.

Bezoek onze website [www.blackanddecker.nl](http://www.blackanddecker.nl), waar u uw nieuwe Black & Decker-product kunt registreren en het laatste nieuws vindt over nieuwe producten en speciale aanbiedingen.

**Uso previsto**

Su lijadora BLACK+DECKER BEW230 ha sido diseñada para lijar y pulir madera, metales, plástico y superficies pintadas. Esta herramienta ha sido concebida únicamente para uso doméstico.

**Instrucciones de seguridad**

**Advertencias de seguridad generales para herramientas eléctricas**



**¡Advertencia!** Lea todas las advertencias de seguridad, instrucciones, ilustraciones y especificaciones suministradas con esta herramienta eléctrica. El incumplimiento de las advertencias e instrucciones indicadas a continuación puede provocar una descarga eléctrica, un incendio y/o lesiones graves.

**Guarde todas las advertencias e instrucciones para futuras consultas.** El término "herramienta eléctrica" empleado en las advertencias a continuación hace referencia a la herramienta eléctrica con alimentación de red (con cable) o alimentada por batería (sin cable).

1. **Seguridad del área de trabajo**
  - a. **Mantenga limpia y bien iluminada el área de trabajo.**  
Las áreas en desorden u oscuras pueden provocar accidentes.
  - b. **No utilice herramientas eléctricas en entornos con peligro de explosión, como aquellos en los que haya líquidos, gases o polvos inflamables.** Las herramientas eléctricas originan chispas que pueden inflamar el polvo o los gases.
  - c. **Mantenga alejados a los niños y otras personas del área de trabajo al emplear la herramienta eléctrica.**  
Las distracciones pueden hacer que pierda el control de la herramienta.
2. **Seguridad eléctrica**
  - a. **El enchufe de la herramienta eléctrica debe corresponder a la toma de corriente. No modifique nunca el enchufe de ninguna forma. No utilice ningún enchufe adaptador con las herramientas eléctricas conectadas a tierra (puesta a masa).** Los enchufes no modificados y las tomas de corriente compatibles reducen el riesgo de descarga eléctrica.
  - b. **Evite que su cuerpo toque partes conectadas o puestas a tierra tales como tuberías, radiadores, cocinas y refrigeradores.** Existe un mayor riesgo de descarga eléctrica si su propio cuerpo está conectado a tierra.
  - c. **No exponga las herramientas eléctricas a la lluvia y a la humedad.**

La entrada de agua en una herramienta eléctrica aumenta el riesgo de descarga eléctrica.

- d. **Cuide el cable de alimentación. No use nunca el cable para transportar, tirar de la herramienta eléctrica o desenchufarla. Mantenga el cable alejado del calor, aceite, bordes afilados y piezas en movimiento.** Los cables dañados o enredados aumentan el riesgo de descarga eléctrica.
- e. **Al trabajar con la herramienta eléctrica en la intemperie utilice solamente cables de prolongación homologados para su uso en exteriores.** La utilización de un cable adecuado para el uso en exteriores reduce el riesgo de descarga eléctrica.
- f. **Si la utilización de una herramienta eléctrica en un lugar húmedo es inevitable, utilice una fuente protegida con un dispositivo de corriente residual (DCR).** El uso de un dispositivo de corriente residual reduce el riesgo de descarga eléctrica.

### 3. Seguridad personal

- a. **Esté atento a lo que hace y emplee la herramienta eléctrica con prudencia. No maneje una herramienta eléctrica cuando esté cansado o bajo los efectos de drogas, medicamentos o alcohol.** Un momento de falta de atención cuando se manejan las herramientas eléctricas puede ocasionar lesiones personales graves.
- b. **Utilice un equipo de protección personal. Utilice siempre protección ocular.** El uso del equipo protector como mascarillas antipolvo, calzado antideslizante, casco o protección auditiva para condiciones apropiadas reducirá las lesiones personales.
- c. **Impida que la herramienta se ponga en marcha accidentalmente. Asegúrese de que el interruptor se encuentre en la posición de apagado antes de conectar la herramienta a la fuente de alimentación o a la batería, o de coger o transportar la herramienta.** Transportar herramientas eléctricas con el dedo puesto en el interruptor o herramientas eléctricas activadoras que tengan el interruptor encendido puede provocar accidentes.
- d. **Retire las herramientas de ajuste o llaves fijas antes de encender la herramienta eléctrica.** Dejar una llave inglesa u otra llave puesta en una pieza en movimiento de la herramienta eléctrica puede ocasionar lesiones personales.
- e. **Sea precavido. Mantenga un equilibrio adecuado y la estabilidad constantemente.** Esto permite un mejor control de la herramienta eléctrica en situaciones inesperadas.
- f. **Lleve puesta una vestimenta de trabajo adecuada. No se ponga ropa suelta o joyas. Mantenga el cabello, la ropa y los guantes alejados de las piezas en movimiento.**

La ropa suelta, las joyas y el pelo largo pueden quedar atrapados en las piezas en movimiento.

- g. **Siempre que sea posible utilizar unos equipos de aspiración o captación de polvo, asegúrese de que estén montados y de se utilicen correctamente.** El uso de equipo de recogida de polvo puede reducir los riesgos relacionados con el polvo.
- h. **Evite que la familiaridad adquirida con el uso frecuente de las herramientas le haga confiarse demasiado e ignorar las normas de seguridad de las herramientas.** Un descuido puede causar lesiones graves en una fracción de segundo.

### 4. Uso y cuidado de herramientas eléctricas

- a. **No sobrecargue la herramienta eléctrica. Use la herramienta eléctrica correcta para su trabajo.** La herramienta eléctrica correcta funcionará mejor y con mayor seguridad si se utiliza de acuerdo con sus características técnicas.
- b. **No utilice la herramienta eléctrica si no se puede encender y apagar con el interruptor.** Toda herramienta eléctrica que no pueda controlarse con el interruptor es peligrosa y debe ser reparada.
- c. **Desconecte el enchufe de la herramienta eléctrica de la fuente de alimentación y/o la batería antes de realizar cualquier ajuste, cambiar accesorios o guardar la herramienta.** Dichas medidas de seguridad preventivas reducen el riesgo de poner en marcha accidentalmente la herramienta eléctrica.
- d. **Guarde las herramientas eléctricas fuera del alcance de los niños y no permita que la utilicen las personas no familiarizadas con su uso o con estas instrucciones.**  
Las herramientas eléctricas son peligrosas en manos de personas no capacitadas.
- e. **Realice el mantenimiento de sus herramientas eléctricas. Compruebe que las piezas móviles no estén desalineadas ni atascadas, que no haya piezas rotas y cualquier otra condición que pudiera afectar al funcionamiento de la herramienta eléctrica.** Si la herramienta eléctrica está dañada, llévela para que sea reparada antes de utilizarla. Se ocasionan muchos accidentes por el mal mantenimiento de las herramientas eléctricas.
- f. **Mantenga las herramientas de corte limpias y afiladas.** Hay menos probabilidad de que las herramientas de cortar con bordes afilados se bloqueen, y son más fáciles de controlar.
- g. **Utilice la herramienta eléctrica, los accesorios, los útiles de la herramienta, etc. de acuerdo con estas instrucciones, y tenga en cuenta las condiciones de trabajo y la tarea que va a realizar.**

El uso de la herramienta eléctrica para operaciones que no sean las previstas puede ocasionar una situación peligrosa.

- h. **Mantenga las empuñaduras y superficies de agarre secas, limpias y libres de aceite y grasa.** Las empuñaduras resbalosas y las superficies engrasadas impiden aferrar y controlar la herramienta en situaciones imprevistas.

## 6. Reparaciones

- a. **Esta herramienta eléctrica solo la puede reparar personal técnico autorizado que emplee exclusivamente piezas de repuesto originales.** Así se asegurará que se mantenga la seguridad de la herramienta eléctrica.

## Advertencias de seguridad adicionales para herramientas eléctricas



**¡Advertencia!** Advertencias de seguridad adicionales para lijadoras

- ◆ **Sostenga la herramienta eléctrica por las partes de agarre aisladas pues la superficie de lijado puede entrar en contacto con el cable de la herramienta.** Cortar un cable con tensión puede transmitir dicha tensión a las partes metálicas expuestas de la herramienta eléctrica y producir una descarga eléctrica al operador.
- ◆ **Utilice fijaciones o cualquier otro método para fijar y apoyar la pieza de trabajo en una plataforma estable.** Si sostiene la pieza de trabajo con las manos o con su cuerpo, esta estará inestable y podrá hacer que usted pierda el control.
- ◆ **¡Advertencia!** **El contacto o la inhalación del polvo procedente de las aplicaciones de la lijadora puede suponer un peligro para la salud del usuario y de cualquier otra persona que se encuentre a su alrededor.** Utilice una mascarilla antipolvo diseñada específicamente para proteger contra el polvo y los vapores y asegúrese de que las demás personas que se encuentren dentro del área de trabajo o que vayan a entrar en ella también estén protegidas.
- ◆ **Elimine a fondo todo el polvo después de lijar.**
- ◆ **Tenga especial cuidado cuando lije pinturas con posible contenido de plomo o algunos tipos de maderas y metales que puedan producir polvo tóxico:**
  - ◆ **No permita la entrada de niños ni de mujeres embarazadas en el área de trabajo.**
  - ◆ **No coma, beba ni fume en el área de trabajo.**
  - ◆ **Deshágase de las partículas de polvo y demás residuos de un modo seguro.**
- ◆ **En este manual de instrucciones se describe el uso previsto.**

La utilización de accesorios o dispositivos auxiliares o la realización de operaciones distintas a las recomendadas en este manual de instrucciones para esta herramienta pueden causar lesiones corporales y/o daños materiales.

## Seguridad de otras personas

- ◆ Este aparato no está destinado al uso por parte de personas (incluyendo los niños) con capacidades físicas, sensoriales o mentales reducidas, o que carezcan de experiencia o del conocimiento necesario, a menos que estén supervisadas o reciban las instrucciones relativas al uso del aparato por una persona encargada de su seguridad.
- ◆ Los niños deben estar siempre vigilados para asegurarse de que no juegan con el aparato.

## Riesgos residuales.

El uso de esta herramienta puede producir riesgos residuales adicionales no incluidos en las advertencias de seguridad adjuntas. Estos riesgos se pueden generar por un uso incorrecto, demasiado prolongado, etc.

El cumplimiento de las normas de seguridad correspondientes y el uso de dispositivos de seguridad no evitan ciertos riesgos residuales. Dichos riesgos incluyen:

- ◆ Lesiones producidas por el contacto con piezas móviles o giratorias.
- ◆ Lesiones causadas al cambiar piezas, hojas o accesorios.
- ◆ Lesiones causadas por el uso prolongado de una herramienta. Si utiliza una herramienta durante períodos de tiempo demasiado prolongados, asegúrese de realizar pausas con frecuencia.
- ◆ Deterioro auditivo.
- ◆ Riesgos para la salud causados por la respiración del polvo generado por el uso de la herramienta (por ejemplo, al trabajar con madera, especialmente roble, haya, tablero semiduro de fibras y cuarzo en polvo de hormigón).

## Vibración

Los valores de emisión de vibraciones declarados en el apartado de características técnicas y en la declaración de conformidad se han calculado según un método de prueba estándar proporcionado por la norma EN62841 y pueden utilizarse para comparar una herramienta con otra. El valor de emisión de vibraciones especificado también puede utilizarse en una evaluación preliminar de la exposición.

**¡Advertencia!** El valor de emisión de vibraciones durante el funcionamiento real de la herramienta eléctrica puede diferir del valor declarado en función de cómo se utilice dicha herramienta. El nivel de las vibraciones puede aumentar por encima del nivel declarado.

Al evaluar la exposición a las vibraciones con el fin de determinar las medidas de seguridad que exige la directiva 2002/44/CE para proteger a las personas que utilizan periódicamente herramientas eléctricas en el entorno laboral, deberá tenerse en cuenta una estimación de la exposición a las vibraciones, las condiciones de uso reales y el modo de empleo de la herramienta, así como los pasos del ciclo operativo como, por ejemplo, el número de veces que la herramienta se apaga, el tiempo que está parada y el tiempo de activación.

## Etiquetas en la herramienta

Junto con el código de la fecha, en la herramienta aparecen los siguientes símbolos:



**¡Advertencia!** Para reducir el riesgo de lesiones, el usuario debe leer el manual de instrucciones.

## Seguridad eléctrica



Esta herramienta lleva un doble aislamiento; por lo tanto, no requiere una toma de tierra. Compruebe siempre que el voltaje suministrado corresponda al indicado en la placa de características.

- ◆ Si se daña el cable de alimentación, el fabricante o un centro de servicio técnico autorizado de BLACK+DECKER deberán sustituirlo para evitar riesgos.

## Características

Esta herramienta incluye parte o la totalidad de estas características.

1. Interruptor de encendido/apagado
2. Unidad de extracción de polvo
3. Base
4. Soporte de la punta
5. Punta de la base de lijado
6. Dispositivo auxiliar de tipo uña\*
7. Tuerca
8. Punta en forma de rombo

Además, esta herramienta también incluye todos o algunos de los accesorios siguientes:

Accesorio	Operación y uso recomendado
Papel de lija de grano grueso	Pintura rápida, barniz y eliminación de óxido
Papel de lija de grano intermedio	Pintura, barniz y eliminación de óxido
Papel de lija de grano fino	Combinación y acabado de superficies

Papel de lija de grano extrafino	Lijado entre capas
Puntas de lijado de detalles	Esquinas y lugares de difícil alcance
1 lana de pulido y raspado OT	Pulido de metales, raspado de barniz y limpieza de vidrio
Disco gris para espuma	Aplicar y eliminar barniz
Disco rojo no tejido	Limpieza intensiva y eliminación del polvo
Papel gris abrasivo	Pulido de plásticos

**\*Tenga en cuenta lo siguiente:** Es posible que el accesorio de tipo uña (6) no esté incluido en todas las unidades. Todos los accesorios están disponibles en su distribuidor BLACK+DECKER y en nuestra página web: [www.blackanddecker.co.uk](http://www.blackanddecker.co.uk)

## Montaje

**¡Advertencia!** Antes del montaje, compruebe que la herramienta esté apagada y desenchufada.

## Montaje de las hojas de lija (fig. A y B)

- ◆ Separe las dos puntas con forma de rombo (8) de la hoja de lija (9).
- ◆ Sostenga la herramienta con la base de lijado orientada hacia arriba.
- ◆ Coloque la hoja de lija (9) sobre la base de lijado, asegurándose de que los orificios de la hoja coincidan con los de la base.

Se puede utilizar el dorso de las puntas con forma de diamante (8) y sustituir las cuando ambos lados se hayan desgastado.

- ◆ Una vez desgastada la parte delantera de la punta, sáquela de la hoja, gírela y vuelva a colocarla en la base de lijado.
- ◆ Cuando la punta se haya desgastado por ambos lados, extraígalas de la base de lijado y monte una nueva.
- ◆ Los discos y la espuma de pulido (14) pueden ajustarse de la misma forma que las hojas de lijado.

## Punta de la base de lijado (fig. D)

Una vez desgastada la punta de la base de lijado (5) o el soporte de la punta (4), se puede utilizar el dorso o proceder a su sustitución. Puede solicitar recambios a su distribuidor de BLACK+DECKER.

- ◆ Extraiga el tornillo (7).
- ◆ Dé la vuelta o sustituya la pieza desgastada.
- ◆ Coloque y apriete el tornillo.

### Accesorio de tipo uña (fig. D)

El dispositivo auxiliar de tipo uña permite realizar un lijado preciso de las partes más difíciles.

- ◆ Extraiga el tornillo (7).
- ◆ Extraiga el soporte de la punta con forma de rombo (4) de la base de lijado.
- ◆ Monte el accesorio de tipo uña (6) sobre la base de lijado.
- ◆ Coloque y apriete el tornillo.
- ◆ Monte la hoja de lija adecuada (11) sobre el accesorio de tipo uña.

### Uso

**¡Advertencia!** Deje que la herramienta funcione a su ritmo. No la sobrecargue.

**¡Advertencia!** No cubra las ranuras de ventilación cuando use la herramienta. Sujete la herramienta tal y como se muestra en la figura H. Asegúrese de colocar la base de lijado de forma horizontal sobre la pieza de trabajo.

### Conexión de una aspiradora (fig. F)

La herramienta cuenta con un adaptador que se conecta a una aspiradora cuando se lija madera. Para conectar la herramienta a una aspiradora, haga lo siguiente:

**¡Advertencia!** Compruebe que la herramienta se encuentra apagada y desenchufada.

- ◆ Monte el conector de extracción de polvo (2) en el adaptador de la parte trasera de la herramienta.
- ◆ Conecte la manguera de una aspiradora adecuada al conector.

### Encendido y apagado (fig. G)

**¡Advertencia!** Antes de conectar la herramienta a la red eléctrica, asegúrese de que está apagada.

- ◆ Para encender la herramienta, presione la parte del botón de encendido/apagado (1) marcada con 'I'.
- ◆ Para apagar la herramienta, presione la parte del botón de encendido/apagado (1) marcada con 'O'.

### Accesorios

El funcionamiento de la herramienta dependerá del accesorio que se utilice. Los accesorios de BLACK+DECKER se han fabricado siguiendo estándares de alta calidad y se han diseñado para mejorar el funcionamiento de la herramienta. Con estos accesorios, sacará el máximo provecho a su herramienta.

### Mantenimiento

Su herramienta BLACK+DECKER ha sido diseñada para funcionar durante un largo periodo de tiempo con un mantenimiento mínimo. El funcionamiento satisfactorio y continuo depende del buen cuidado de la herramienta y de una limpieza frecuente.

El cargador no requiere ningún mantenimiento especial excepto la limpieza periódica.

**¡Advertencia!** Antes de realizar el mantenimiento de la herramienta, desconecte el cargador antes de limpiarla.

- ◆ Limpie periódicamente las ranuras de ventilación de la herramienta con un cepillo suave o un paño seco.
- ◆ Limpie periódicamente la carcasa del motor con un paño húmedo. No utilice limpiadores abrasivos o a base de disolventes.

### Sustitución del enchufe de alimentación principal (solo Irlanda y Reino Unido)

Si debe colocar un nuevo enchufe de red:

- ◆ Deseche el enchufe viejo según las normas de seguridad.
- ◆ Conecte el cable marrón al terminal conductor del nuevo enchufe.
- ◆ Conecte el cable azul al terminal neutro.

**¡Advertencia!** No deberá realizar ninguna conexión al terminal de tierra. Siga las instrucciones de colocación suministradas con enchufes de buena calidad. Fusible recomendado: 5 A.

### Protección del medio ambiente



Recogida selectiva. Los productos y las baterías marcadas con este símbolo no se deben eliminar con los residuos domésticos normales.

Los productos y las baterías que contienen materiales que se puedan recuperar o reciclar reducen la demanda de materias primas.

Recicle los productos eléctricos y las baterías de conformidad con la normativa local. Puede obtener más información en [www.2helpU.com](http://www.2helpU.com)

### Datos técnicos

		BEW230
Voltaje de entrada	$V_{CA}$	230
Potencia de entrada	W	55
Velocidad en vacío	$\text{min}^{-1}$	11.000
Peso	kg	0.8

#### Nivel de presión acústica según EN 62841:

Presión acústica ( $L_{pA}$ ) 65 dB(A), incertidumbre (K) de 3 dB(A)

Potencia acústica ( $L_{wA}$ ) 76 dB(A), incertidumbre (K) 3 dB(A)

#### Valores totales de vibración (suma vectorial triaxial) de acuerdo con la directiva EN 62841:

(a) 12,5 m/s<sup>2</sup>, incertidumbre (K) de 1,5 m/s<sup>2</sup>



## Declaración de conformidad CE

DIRECTIVA DE MÁQUINAS



Lijadora BEW230

Black & Decker declara que los productos descritos en "datos técnicos" cumplen las siguientes normas:

2006/42/CE, EN62841-1:2015, EN62841-2-4:2014.

Estos productos también cumplen las Directivas 2014/30/UE y 2011/65/UE. Para más información, póngase en contacto con Black & Decker en la siguiente dirección o consulte la parte posterior del manual.

La persona que firma a continuación es responsable de la elaboración del archivo técnico y realiza esta declaración en nombre de Black & Decker.

*Patrick Diepenbach*

Patrick Diepenbach  
General Manager, Benelux  
Stanley FatMax,  
Egide Walschaertsstraat 14-18  
2800 Mechelen, Belgium  
24/08/2018

## Garantía

Black & Decker confía en la calidad de sus productos y ofrece a los consumidores una garantía de 24 meses a partir de la fecha de compra. Esta garantía es adicional a sus derechos legales y no los menoscaba en modo alguno. La garantía es válida dentro de los territorios de los Estados Miembros de la Unión Europea y del Área de Libre Comercio Europea.

Para reclamar la garantía, la reclamación se debe presentar de conformidad con las condiciones de Black & Decker.

Tendrá que adjuntar un justificante de compra al vendedor o al agente técnico autorizado.

Las condiciones de la garantía de 2 años de Black & Decker y la ubicación de su agente técnico autorizado más cercano se pueden obtener en Internet en [www.2helpU.com](http://www.2helpU.com) o poniéndose en contacto con su oficina local de Black & Decker en la dirección que se indica en este manual.

Visite nuestro sitio web [www.blackanddecker.co.uk](http://www.blackanddecker.co.uk) para registrar su nuevo producto Black & Decker y recibir noticias sobre nuevos productos y ofertas especiales.

## Utilização pretendida

A lixadeira BLACK+DECKER BEW230 foi concebida para lixar e polir madeira, metal, plástico e superfícies pintadas. Esta ferramenta destina-se apenas para utilização doméstica.

## Instruções de segurança

### Avisos de segurança gerais para ferramentas eléctricas



**Atenção!** Leia todos os avisos de segurança, instruções, ilustrações e especificações fornecidas com esta ferramenta elétrica. O não cumprimento dos seguintes avisos e instruções pode resultar em choque eléctrico, incêndio e/ou ferimentos graves.

**Guarde todos os avisos e instruções para futura referência.** A expressão "ferramenta eléctrica" utilizada a seguir refere-se a ferramentas eléctricas com ligação à corrente eléctrica (com cabo) ou com bateria (sem fios).

1. **Segurança na área de trabalho**
  - a. **Mantenha a área de trabalho limpa e bem iluminada.** As áreas desorganizadas ou escuras são propensas a acidentes.
  - b. **Não trabalhe com ferramentas eléctricas em áreas com risco de explosão, nas quais se encontrem líquidos, gases ou poeiras inflamáveis.** As ferramentas eléctricas criam faíscas que poderão inflamar estas poeiras ou vapores.
  - c. **Mantenha crianças e outras pessoas afastadas durante a utilização da ferramenta eléctrica.** As distrações podem levar à perda do controlo da ferramenta.
2. **Segurança eléctrica**
  - a. **As fichas da ferramenta eléctrica devem encaixar na tomada. Nunca modifique a ficha de forma alguma. Não utilize fichas adaptadoras com ferramentas eléctricas ligadas à terra.** As fichas não modificadas e as tomadas compatíveis reduzem o risco de choque eléctrico.
  - b. **Evite que o corpo entre em contacto com superfícies ligadas à terra, como tubos, radiadores, fogões e frigoríficos.** Se o seu corpo estiver "ligado" à terra, o risco de choque eléctrico é maior.
  - c. **As ferramentas eléctricas não podem ser expostas a chuva nem humidade.** A entrada de água numa ferramenta eléctrica aumenta o risco de choque eléctrico.
  - d. **Manuseie o cabo com cuidado. Nunca o utilize para transportar, puxar ou desligar a ferramenta eléctrica.**

**Mantenha o cabo afastado de fontes de calor, substâncias oleosas, arestas afiadas ou peças móveis.** Os cabos danificados ou emaranhados aumentam o risco de choque eléctrico.

- e. **Quando trabalhar com uma ferramenta eléctrica ao ar livre, utilize uma extensão adequada para esse fim.** A utilização de um cabo adequado para uso ao ar livre reduz o risco de choque eléctrico.
- f. **Se for inevitável trabalhar com uma ferramenta eléctrica num local húmido, utilize um dispositivo de corrente residual (RCD).** A utilização de um RCD reduz o risco de choque eléctrico.

### 3. Segurança pessoal

- a. **Mantenha-se atento, observe o que está a fazer e seja prudente quando trabalhar com a ferramenta eléctrica. Não utilize uma ferramenta eléctrica quando estiver cansado ou sob o efeito de drogas, álcool ou medicamentos.** Um momento de distração durante a utilização de ferramentas eléctricas pode resultar em ferimentos graves.
- b. **Utilize equipamento de protecção individual. Use sempre protecção ocular.** O equipamento de protecção, como, por exemplo, uma máscara contra o pó, sapatos de segurança antiderrapantes, um capacete de segurança ou uma protecção auditiva, usado nas condições apropriadas, reduz o risco de ferimentos.
- c. **Evite arranques involuntários. Certifique-se de que o botão está desligado antes de ligar a ferramenta à corrente eléctrica e/ou as baterias, e antes de levantar ou transportar a ferramenta.** Se mantiver o dedo sobre o interruptor ao transportar ferramentas eléctricas ou se as ligar à fonte de alimentação com o interruptor ligado, isso pode dar origem a acidentes.
- d. **Retire eventuais chaves de ajuste ou chaves de fendas antes de ligar a ferramenta eléctrica.** Uma chave de fenda ou de ajuste fixada numa peça rotativa da ferramenta eléctrica pode causar ferimentos.
- e. **Não tente chegar a pontos fora do alcance. Mantenha sempre os pés bem apoiados e um equilíbrio apropriado.** Desta forma, será mais fácil controlar a ferramenta eléctrica em situações inesperadas.
- f. **Use vestuário adequado. Não use roupa larga ou joias. Mantenha o cabelo, a roupa e as luvas afastados das peças móveis.** As roupas largas, as jóias ou o cabelo comprido podem ficar presos nestas peças.
- g. **Se for prevista a montagem de dispositivos de extracção e recolha de poeiras, assegure-se de que estão ligados e que são utilizados de forma correcta.** A utilização de dispositivos de extracção de partículas pode reduzir os riscos relacionados com as mesmas.

- h. **Não permita que o facto de estar familiarizado com a utilização frequente das ferramentas o torne complacente e ignore os princípios de segurança da ferramenta.** Uma acção irreflectida pode causar ferimentos numa fracção de segundos.

### 4. Utilização e manutenção da ferramenta eléctrica

- a. **Não sobrecarregue a ferramenta eléctrica. Utilize a ferramenta eléctrica correcta para o seu trabalho.** A ferramenta eléctrica adequada irá efectuar o trabalho de um modo mais eficiente e seguro se for utilizada de acordo com a capacidade para a qual foi concebida.
- b. **Não utilize a ferramenta eléctrica se o interruptor não puder ser ligado ou desligado.** Qualquer ferramenta eléctrica que não possa ser controlada através do interruptor de alimentação é perigosa e tem de ser reparada.
- c. **Desligue a ficha da tomada e/ou a bateria da ferramenta eléctrica antes de proceder a ajustes, trocar acessórios ou guardar ferramentas eléctricas.** Estas medidas de segurança preventivas reduzem o risco de ligar a ferramenta eléctrica acidentalmente.
- d. **Mantenha as ferramentas eléctricas que não estiverem a ser utilizadas fora do alcance das crianças. Não permita que a ferramenta eléctrica seja utilizada por pessoas não familiarizadas com a mesma ou que não tenham lido estas instruções.** As ferramentas eléctricas são perigosas nas mãos de pessoas que não possuam as qualificações necessárias para as manusear.
- e. **Proceda à manutenção das ferramentas eléctricas. Verifique se as partes móveis estão desalinhasadas ou bloqueadas, se existem peças partidas ou qualquer outra situação que possa afetar o funcionamento das ferramentas eléctricas. Se a ferramenta eléctrica estiver danificada, esta não deve ser utilizada até que seja reparada.** Muitos acidentes têm como principal causa ferramentas eléctricas com uma manutenção insuficiente.
- f. **Mantenha as ferramentas de corte afiadas e limpas.** As ferramentas de corte sujeitas a uma manutenção adequada, com arestas de corte afiadas, bloqueiam com menos frequência e controlam-se com maior facilidade.
- g. **Utilize a ferramenta eléctrica, os acessórios e as peças de ferramenta, etc., de acordo com estas instruções, considerando as condições de trabalho e a tarefa a ser executada.** A utilização da ferramenta eléctrica para fins diferentes dos previstos pode resultar em situações perigosas.
- h. **Mantenha os punhos e as pegas de fixação secos, limpos e sem qualquer óleo ou gordura.**

Se o punho estiver escorregadio e as superfícies tiverem gordura, isso não permite um manuseamento e controlo seguros da ferramenta em situações inesperadas.

## 6. Assistência

- a. **A sua ferramenta eléctrica deve ser reparada por pessoal qualificado e só devem ser colocadas peças sobresselentes idênticas.** Desta forma, é garantida a segurança da ferramenta eléctrica.

## Avisos de segurança adicionais para ferramentas eléctricas



**Atenção!** Avisos de segurança adicionais para lixadeiras

- ◆ **Segure a ferramenta eléctrica pelas superfícies de fixação isoladas, uma vez que o cortador pode entrar em contacto com o respectivo cabo.** Cortar um acessório em contacto com um cabo "electrificado" pode expor as peças metálicas do sistema eléctrico da ferramenta e provocar um choque eléctrico ao operador.
- ◆ **Utilize grampos ou outro sistema prático para apoiar e fixar a peça numa plataforma estável.** Segurar a peça com a mão ou contra o corpo pode causar instabilidade e perda de controlo.
- ◆ **Atenção! O contacto ou a inalação de poeiras originadas pelas aplicações da lixadeira pode colocar em perigo a saúde do operador ou das pessoas presentes.** Utilize uma máscara especificamente concebida para protecção contra poeiras e vapores e certifique-se de que as pessoas perto da área de trabalho também estão protegidas.
- ◆ **Remova completamente toda a poeira depois de terminar.**
- ◆ **Tenha especial atenção quando lixar tinta que possa conter chumbo ou algumas madeiras e metais que possam produzir poeiras tóxicas:**
  - ◆ Não permita que crianças ou mulheres grávidas entrem na área de trabalho.
  - ◆ Não coma, beba ou fume na área de trabalho.
  - ◆ Elimine as partículas de poeira e outros detritos de forma segura.
- ◆ **A utilização pretendida está descrita neste manual de instruções.** A utilização de qualquer acessório ou a realização de qualquer operação com esta ferramenta que não se inclua no presente manual de instruções pode representar um risco de ferimentos e/ou danos materiais.

## Segurança de terceiros

- ◆ Este equipamento não deve ser utilizado por pessoas (incluindo crianças) com capacidades físicas, sensoriais ou mentais reduzidas ou com falta de experiência e conhecimentos, a menos que sejam acompanhadas ou tenham recebido formação ou instruções sobre a utilização deste equipamento por uma pessoa responsável pela respectiva segurança.
- ◆ As crianças devem ser vigiadas para garantir que não mexem no equipamento.

## Riscos residuais.

Podem surgir riscos residuais adicionais durante a utilização da ferramenta, que poderão não constar nos avisos de segurança incluídos. Estes riscos podem resultar de má utilização, uso prolongado, etc.

Mesmo com o cumprimento dos regulamentos de segurança relevantes e a implementação de dispositivos de segurança, alguns riscos residuais não podem ser evitados. Estes incluem:

- ◆ Ferimentos causados pelo contacto com peças em rotação/movimento.
- ◆ Ferimentos causados durante a substituição de peças, lâminas ou acessórios.
- ◆ Ferimentos causados pela utilização prolongada de uma ferramenta. Se utilizar uma ferramenta durante períodos prolongados, certifique-se de que faz pausas regularmente.
- ◆ Danos auditivos.
- ◆ Problemas de saúde causados pela inalação de poeiras resultantes da utilização da ferramenta (exemplo: trabalhos em madeira, especialmente carvalho, faia e MDF).

## Vibração

Os valores de emissão de vibração declarados na secção de dados técnicos e na declaração de conformidade foram medidos de acordo com o método de teste padrão fornecido pela EN62841 e podem ser utilizados para comparar ferramentas. O valor de emissão de vibração declarado pode ainda ser utilizado numa avaliação preliminar de exposição.

**Atenção!** O valor de emissão de vibração durante a utilização real da ferramenta eléctrica pode ser diferente do valor declarado, dependendo da forma como a ferramenta é utilizada. O nível de vibração pode aumentar acima do nível indicado.

Quando avaliar a exposição da vibração para determinar as medidas de segurança exigidas pela Diretiva 2002/44/CE para proteger pessoas que utilizem regularmente ferramentas eléctricas na sua atividade profissional, deve ser considerada uma estimativa de exposição de vibração, as condições reais de utilização e o modo de utilização da ferramenta, incluindo ainda todas as partes do ciclo de funcionamento, como os períodos de inatividade e espera da ferramenta, além do tempo de funcionamento.

### Etiquetas colocadas na ferramenta

A ferramenta apresenta os seguintes símbolos de aviso juntamente com o código de data:



**Atenção!** Para reduzir o risco de ferimentos, o utilizador deve ler o manual de instruções.

### Segurança eléctrica



Esta ferramenta tem isolamento duplo. Por esse motivo, não precisa de ligação à terra. Verifique sempre se a tensão da tomada de electricidade corresponde à tensão indicada na placa com os requisitos de alimentação da ferramenta.

- ◆ Se o cabo de alimentação estiver danificado, terá de ser substituído pelo fabricante ou por um Centro de Assistência autorizada da BLACK+DECKER, de modo a evitar situações de perigo.

### Componentes

Esta ferramenta inclui algumas ou todas as funcionalidades seguintes.

1. Interruptor de ligar/desligar
2. Conector de extração de poeira.
3. Base
4. Suporte da ponta
5. Ponta da base para lixadeira
6. Ponta de longo alcance\*
7. Parafuso
8. Ponta em forma de diamante

Além disso, esta ferramenta é fornecida com alguns ou todos os seguintes acessórios:

Acessório	Aplicação e utilização recomendadas
Lixa de granulação grossa	Remoção rápida de tinta, verniz e ferrugem
Lixa de granulação média	Remoção de tinta, verniz e ferrugem
Lixa de granulação fina	Mistura e acabamento de superfícies

Lixa de granulação extra fina	Lixadela entre camadas
Pontas de lixadela de detalhes	Cantos e locais de difícil acesso
1 lâ de polir/descarnar OT	Polir metais, remover verniz e limpeza de vidro
Almofada de espuma cinzenta	Aplicar e remover polimento
Almofada não tecida vermelha	Escovagem intensiva e remoção de ferrugem
Papel abrasivo cinzento	Polir plástico

\***Tenha em atenção o seguinte:** A ponta de longo alcance (6) pode não estar incluída em todas as unidades. Todos os acessórios estão disponíveis através do seu revendedor BLACK+DECKER ou através do nosso Website: [www.blackanddecker.co.uk](http://www.blackanddecker.co.uk)

### Montagem

**Atenção!** Antes da montagem, certifique-se de que a ferramenta está desligado e que não está ligado à corrente eléctrica.

### Colocar folhas de lixa (Fig. A e B)

- ◆ Solte as duas pontas para lixar em forma de diamante (8) da folha de lixa (9).
- ◆ Segure a ferramenta com a base voltada para a lixadeira e virada para cima.
- ◆ Coloque a folha de lixa (9) na base para lixadeira, certificando-se de que os orifícios da folha ficam alinhados com os orifícios da base.

A ponta em forma de diamante (8) pode ser invertida e substituída quando estiver gasta.

- ◆ Quando a parte da frente da ponta estiver gasta, solte-a da folha, inverta-a e pressione-a de novo contra a base para lixadeira.
- ◆ Quando toda a ponta estiver gasta, retire-a da base para lixadeira e coloque uma nova.
- ◆ A esponja e as almofadas de polimento (14) podem ser colocadas da mesma maneira que as folhas de lixa.

### Ponta da base para lixadeira (Fig. D)

Se a ponta da base para lixadeira (5) ou o suporte da ponta (4) estiverem gastas, podem ser invertidos ou substituídos. Estão disponíveis peças sobresselentes no seu revendedor BLACK+DECKER.

- ◆ Retire o parafuso (7).
- ◆ Inverta ou substitua a peça gasta.
- ◆ Fixe e aperte o parafuso.

## Ponta de longo alcance (Fig. D)

A ponta de longo alcance é utilizado para lixar com detalhe polido.

- ◆ Retire o parafuso (7).
- ◆ Retire o suporte da ponta em forma de diamante (4) da base para lixadeira.
- ◆ Coloque a ponta de longo alcance (6) na base para lixadeira.
- ◆ Fixe e aperte o parafuso.
- ◆ Coloque a folha de lixa adequada (11) na ponta de longo alcance.

## Utilização

**Atenção!** Não altere o ritmo de funcionamento da ferramenta. Não sobrecarregue.

**Atenção!** Não tape as saídas de ventilação quando utilizar a ferramenta. Segure a ferramenta tal como ilustrado na Fig. R. Certifique-se de que a base para lixadeira se encontra na posição plana na peça.

## Ligar um aspirador (Fig. F)

A ferramenta tem um adaptador que pode ser ligado a um aspirador quando lixar madeira. Para ligar a ferramenta a um aspirador, proceda do seguinte modo:

**Atenção!** Certifique-se de que a ferramenta está desligada e que não está ligada à corrente eléctrica.

- ◆ Encaixe o conector de extracção de poeira (2) no adaptador na parte de trás da ferramenta.
- ◆ Ligue o tubo de um aspirador adequado ao conector.

## Ligar e desligar (Fig. G)

**Atenção!** Antes de ligar a ferramenta à corrente eléctrica, certifique-se de que o equipamento está desligado.

- ◆ Para ligar a ferramenta, pressione a parte do interruptor de ligar/desligar (1) assinalada com "I".
- ◆ Para desligar a ferramenta, pressione a parte do interruptor de ligar/desligar (1) assinalada com "0".

## Acessórios

O desempenho da sua ferramenta depende do acessório utilizado. Os acessórios BLACK+DECKER são concebidos segundo normas de elevada qualidade e desenvolvidos de modo a melhorar o desempenho da sua ferramenta. Utilizando estes acessórios, tirará o melhor partido da sua ferramenta.

## Manutenção

A ferramenta BLACK+DECKER foi concebida para funcionar durante muito tempo com um mínimo de manutenção.

Uma utilização continuamente satisfatória depende de uma manutenção apropriada da ferramenta e de uma limpeza regular.

O seu carregador não necessita de manutenção para além da limpeza regular.

**Atenção!** Antes de efectuar qualquer tarefa de manutenção da ferramenta, desligue o carregador antes de o limpar.

- ◆ Limpe regularmente as aberturas de ventilação da ferramenta com uma escova suave ou um pano seco.
- ◆ Limpe regularmente o compartimento do motor com um pano húmido. Não utilize produtos de limpeza abrasivos ou à base de dissolventes.

## Substituição da ficha de alimentação (apenas Reino Unido e Irlanda)

Se for necessário instalar uma nova ficha de alimentação:

- ◆ Elimine com segurança a ficha antiga.
- ◆ Ligue o cabo castanho ao terminal activo da nova ficha.
- ◆ Ligue o cabo azul ao terminal neutro.

**Atenção!** Não deve ser efetuada qualquer ligação ao terminal de terra. Siga as instruções de instalação fornecidas com fichas de boa qualidade. Fusível recomendado: 5 A.

## Protecção do ambiente



Faça uma recolha de lixo seletiva. Os produtos e as baterias assinalados com este símbolo não devem ser eliminados juntamente com o lixo doméstico normal.

Os produtos e as pilhas contêm materiais que podem ser recuperados ou reciclados, reduzindo assim a necessidade de matérias-primas.

Recicle os produtos eléctricos e as pilhas de acordo com as disposições locais. Estão disponíveis mais informações em [www.2helpU.com](http://www.2helpU.com)

## Dados técnicos

		BEW230
Tensão de entrada	V <sub>CA</sub>	230
Alimentação	W	55
Velocidade sem carga	min. <sup>-1</sup>	11 000
Peso	kg	0,8

Nível de pressão acústica de acordo com a norma EN 62841:	
Pressão acústica (L <sub>pa</sub> )	65 dB(A), variabilidade (K) 3 dB(A)
Potência acústica (L <sub>wa</sub> )	76 dB(A), incerteza (K) 3 dB(A)

Valores totais de vibração (soma de vetores triaxiais) de acordo com a norma EN 62841:	
(a)	12,5 m/s <sup>2</sup> , variabilidade (K) 1,5 m/s <sup>2</sup>

## Declaração de conformidade CE DIRETIVA "MÁQUINAS"



Lixadeira BEW230

A Black & Decker declara que os produtos descritos nos "dados técnicos" estão em conformidade com: 2006/42/CE, EN62841-1:2015, EN62841-2-4:2014. Estes produtos estão também em conformidade com a Diretiva 2014/30/UE e 2011/65/UE. Para obter mais informações, contacte a Black & Decker através do endereço seguinte ou consulte o verso do manual. O signatário é responsável pela compilação do ficheiro técnico e efectua esta declaração em nome da Black & Decker.

*Patrick Diepenbach*

Patrick Diepenbach  
General Manager, Benelux  
Stanley FatMax,  
Egide Walschaertsstraat 14-18  
2800 Mechelen, Belgium  
24/08/2018

### Garantia

A Black & Decker confia na qualidade dos seus produtos e oferece aos clientes uma garantia de 24 meses a partir da data de compra. Esta garantia é um complemento dos seus direitos estabelecidos por lei, não os prejudicando de forma alguma. A garantia é válida nos Estados-membros da União Europeia e nos países-membros da Zona Europeia de Comércio Livre.

Para acionar a garantia, esta deve estar em conformidade com os termos e condições da Black & Decker e terá de apresentar comprovativos de compra ao vendedor ou a um agente de reparação autorizado.

Os termos e condições da garantia de 2 anos da Black & Decker e a localização do agente de reparação autorizado mais próximo podem ser obtidos na Internet em [www.2helpU.com](http://www.2helpU.com) ou contactando uma filial da Black & Decker, cuja morada está indicada neste manual.

Visite o nosso Website [www.blackanddecker.co.uk](http://www.blackanddecker.co.uk) para registar o novo produto Black & Decker e manter-se atualizado relativamente a novos produtos e ofertas especiais.

### Avsedd användning

Din BLACK+DECKER BEW230 slipmaskin har designats för slipning av trä, metall, plast och målade ytor. Detta verktyg är endast avsett för konsumentbruk.

### Säkerhetsinstruktioner

#### Allmänna säkerhetsanvisningar för elverktyg



**Varning!** Läs alla säkerhetsvarningar, instruktioner, illustrationer och specifikationer som levereras med detta elverktyg. Fel som uppstår till följd av att varningarna och instruktionerna som listas nedan inte följts kan orsaka elstötar, brand och/eller allvarliga kroppsskador.

**Spara alla säkerhetsföreskrifter och anvisningar för framtida bruk.** Begreppet "Elverktyg" i alla varningar som listas nedan avser nätdrivna elverktyg (med nätsladd) och batteridrivna elverktyg (sladdlösa).

1. **Säkerhet på arbetsplatsen**
  - a. **Se till att arbetsområdet är rent och väl belyst.** Belamrade och mörka områden inbjuder till olyckor.
  - b. **Använd inte elverktyget i explosionsfarlig omgivning, t.ex. i närheten av brännbara vätskor, gaser eller damm.** Elverktyg skapar gnistor som kan antända damm eller ångor.
  - c. **Håll barn och åskådare på avstånd vid arbete med elverktyget.** Distractioner kan göra att du förlorar kontrollen.
2. **Elsäkerhet**
  - a. **Elverktygets stickkontakt måste passa i eluttaget. Modifiera aldrig kontakten på något sätt. Använd inga adapterkontakter tillsammans med jordade elverktyg.** Icke modifierade kontakter och passande uttag minskar risken för elektrisk stöt.
  - b. **Undvik kroppskontakt med jordade ytor, t.ex. rör, värmeelement, spisar och kylskåp.** Det finns en ökad risk för elektrisk stöt om din kropp är jordansluten eller jordad.
  - c. **Utsätt inte elverktyget för regn eller våta omgivningar.** Vatten som kommer in i ett elverktyg ökar risken för elektrisk stöt.
  - d. **Misshandla inte nätsladden. Använd aldrig sladden för att bära, dra eller koppla bort elverktyget från uttaget. Håll sladden borta från värme, olja, skarpa kanter eller rörliga delar.** Skadade eller tilltrasslade sladdar ökar risken för elektrisk stöt.
  - e. **Använd en förlängningssladd som lämpar sig för utomhusbruk när du arbetar med elverktyg utomhus.** Användning av en sladd som är lämplig för utomhusbruk minskar risken för elektriska stötar.

- f. **Om du måste använda ett elverktyg på en fuktig plats, bör du använda en strömförsörjning med jordfelsbrytare.** Användning av en jordfelsbrytare minskar risken för elektrisk stöt.
3. **Personlig säkerhet**
- a. **Var uppmärksam, se på vad du gör och använd sunt omdöme när du använder elverktyget.** Använd inte ett elverktyg när du är trött eller påverkad av droger, alkohol eller mediciner. Ett ögonblicks ouppmärksamhet när du arbetar med elektriska verktyg kan leda till allvarliga personskador.
- b. **Använd personlig skyddsutrustning. Använd alltid skyddsglasögon.** Skyddsutrustning såsom dammfilterskydd, halksäkra säkerhetsskor, skyddshjälm eller hörselskydd som används för lämpliga förhållanden minskar personskador.
- c. **Förhindra oavsiktlig start. Kontrollera att strömbrytaren står i avstängt läge innan du ansluter verktyget till elnätet eller sätter i batteriet, samt innan du tar upp eller bär verktyget.** Att bära elektriska verktyg med fingret på strömbrytaren eller att koppla strömmen till elektriska verktyg när strömbrytaren är på leder till olyckor.
- d. **Ta bort alla inställningsverktyg och skruvnycklar innan du startar elverktyget.** Ett verktyg eller en nyckel som har lämnats kvar på en roterande del av det elektriska verktyget kan orsaka kroppsskador.
- e. **Sträck dig inte för mycket. Ha ordentligt fotfäste och balans hela tiden.** Detta möjliggör bättre kontroll av elverktyget i oväntade situationer.
- f. **Bär lämpliga kläder. Bär inte lösa kläder eller smycken. Håll hår, beklädnad och handskar borta från delar i rörelse.** Lösa kläder, smycken eller långt hår kan fastna i rörliga delar.
- g. **Om enheten har dammsugnings- och uppsamlingsutrustning, se till att den är ansluten och används på korrekt sätt.** Användning av dammuppsamling kan minska dammrelaterade risker.
- h. **Låt inte förtrogenheten som uppstått genom regelbunden användning av verktyg låta dig bli självsäker och ignorera verktygets säkerhetsprinciper.** En oförsiktig handling kan orsaka allvarliga skador under bråkdelen av en sekund.
4. **Användning och skötsel av elverktyg**
- a. **Överbelasta inte elverktyget. Använd rätt elverktyg för ditt arbete.** Det korrekta elverktyget gör arbetet bättre och säkrare vid den hastighet för vilket det konstruerades.
- b. **Använd inte elverktyget om det inte kan startas och stängas av med strömbrytaren.** Ett elverktyg som inte kan kontrolleras med strömbrytaren är farligt och måste repareras.
- c. **Dra stickproppen ur vägguttaget och/eller ta ut batteriet ur elverktyget innan inställningar görs, tillbehör byts ut eller elverktyget ställs undan.** Sådana förebyggande säkerhetsåtgärder minskar risken att oavsiktligt starta elverktyget.
- d. **Förvara elverktyg utom räckhåll för barn och låt inte personer som är ovana vid elverktyg eller som inte läst denna bruksanvisning använda det.** Elverktyg är farliga i händerna på ovana användare.
- e. **Underhålla elverktyg. Kontrollera att rörliga komponenter fungerar felfritt och inte kärvar, att komponenter inte gått sönder eller skadats och inget annat föreligger som kan påverka elverktygets funktion. Om det är skadat, se till att elverktyget blir reparerat före användning.** Många olyckor orsakas av dåligt underhållna elektriska verktyg.
- f. **Håll skärande verktyg vassa och rena.** Korrekt underhållna kapverktyg med vassa skär är mindre troliga att de fastnar och är lättare att kontrollera.
- g. **Använd elverktyg, tillbehör, bits m.m. enligt dessa anvisningar, samtidigt som arbetsförhållandena och det arbete som ska utföras beaktas.** Användning av elverktyget för andra uppgifter än vad som avsetts kan resultera i farliga situationer.
- h. **Håll handtagen och greppytorna torra, rena och fria från olja och fett.** Hala handtag och greppytor förhindrar säker hantering och kontroll av verktyget i oväntade situationer.
6. **Service**
- a. **Låt en kvalificerad reparatör som bara använder identiska reservdelar utföra service på elverktyget.** Detta säkerställer att elverktygets säkerhet bibehålls.
- Ytterligare säkerhetsanvisningar för elverktyg**
-  **Varning!** Ytterligare säkerhetsanvisningar för slipmaskiner
- ◆ **Håll förtvetyget i isolerade greppytor eftersom fräsen kan komma i kontakt med sin egen sladd.** Kapning av en strömförande ledning kan exponera metalldelar hos elverktyget som kan ge operatören elektriska stötar.
  - ◆ **Använd klämmor eller något annat praktiskt sätt att stödja arbetsstycket mot ett stabilt underlag.** Att hålla arbetsstycket för hand eller mot kroppen är instabilt och kan göra att du förlorar kontrollen.
  - ◆ **Varning! Slipning ger upphov till damm som kan skada den som använder verktyget och andra i närheten vid kontakt eller inandning.** Använd en specialkonstruerad ansiktsmask som skyddar mot damm och ångor och se till att personer som vistas inom eller i närheten av arbetsområdet också är skyddade.

- ◆ **Var noga med att avlägsna allt damm när slipningen har avslutats.**
- ◆ **Var särskilt försiktig när du slipar bort färg som eventuellt innehåller bly eller när du slipar trä- och metallmaterial som kan avge giftigt slipdamm:**
  - ◆ **Låt aldrig barn eller gravida kvinnor vistas på arbetsplatsen.**
  - ◆ **Åt, drick och rök inte på arbetsplatsen.**
  - ◆ **Släng damm och annat avfall på miljösäker plats.**
- ◆ **Avsedd användning beskrivs i denna bruksanvisning.** Användning av andra tillbehör eller tillsatser, eller om någon annan åtgärd än de som rekommenderas i den här bruksanvisningen kan medföra risk för personskada och/eller skada på egendom.

### Säkerhet för andra

- ◆ Denna apparat är inte avsedd att användas av personer (inklusive barn) med reducerad fysisk, sensorisk eller mental förmåga eller med begränsad erfarenhet eller kunskap såvida inte de är under uppsikt eller fått instruktioner om användning av apparaten av en person som är ansvarig för deras säkerhet.
- ◆ Barn ska hållas under uppsikt så att de inte leker med verktyget.

### Övriga risker.

Ytterligare risker som inte finns med i de bifogade säkerhetsanvisningarna kan uppstå när verktyget används. Dessa risker kan uppstå vid felaktig eller långvarig användning, etc.

Även om alla relevanta säkerhetsanvisningar följs och säkerhetsanordningar används kan vissa ytterligare risker inte undvikas. Dessa omfattar:

- ◆ Skador orsakade av att roterande/rörliga delar vidrörs.
- ◆ Skador som uppstår vid byte av delar, klinga eller tillbehör.
- ◆ Skador som orsakas av en långvarig användning av ett verktyg. Se till att regelbundet ta vilopauser när du använder ett verktyg under en längre period.
- ◆ Hörselnedsättning.
- ◆ Hälsorisker orsakade av inandning av damm när redskapet används (exempel: arbete med trä, särskilt ek, bok och MDF.)

### Vibrationer

De vibrationsvärden som anges i avsnitten Tekniska data och deklarationen om överensstämmelse har uppmätts i enlighet med en standardtestmetod föreskriven i EN62841 och kan användas för jämförelse med andra verktyg. Det angivna vibrationsvärdet kan även användas för en preliminär bedömning av exponeringar.

**Varning!** Vibrationsvärdet under faktisk användning av elverktyget kan skilja sig från det uppgivna värdet beroende på hur verktyget används.

Vibrationsnivån kan överstiga den uppgivna nivån.

Vid uppskattningar av exponering för vibrationer i syfte att bedöma vilka säkerhetsåtgärder som är nödvändiga enligt 2002/44/EG för att skydda personer som regelbundet använder elverktyg i arbetet ska man utgå från de faktiska omständigheter under vilka elverktyget används och sättet på vilket det används. Bedömningen ska även ta hänsyn till alla moment i arbetscykeln, t.ex. när verktyget är avstängt och när det går på tomgång såväl som när det faktiskt används.

### Etiketter på verktyget

Följande symboler finns på verktyget, tillsammans med datumkoden::



**Varning!** Läs bruksanvisningen före användning för att minska risken för personskador.

### Elsäkerhet



Eftersom verktyget är dubbelisolerat behövs ingen jordledare. Kontrollera alltid så att spänningen på nätet motsvarar den spänning som finns angiven på märkplåten.

- ◆ Om nätsladden är skadad så måste den bytas ut av tillverkaren eller en auktoriserad BLACK+DECKER-verkstad för att undvika risker.

### Funktioner

Detta verktyg har några eller samtliga av följande funktioner.

1. Strömbrytare
2. Dammutsugningsanslutning.
3. Fot
4. Spets hållare
5. Basplattans spets
6. Fingertillsats\*
7. Skruv
8. Diamantformad spets

Dessutom har detta verktyg apparat några av eller alla nedanstående tillbehör:

Tillbehör	Rekommenderad applikation och användning
Grovkornigt sandpapper	Snabb färg-, lack- och rostborttagning
Medelgrovt sandpapper	Färg-, lack- och rostborttagning
Finkornigt sandpapper	Ytfin slipning och färdigbearbetning
Extra finkornigt sandpapper	Slipning mellan strykningar



Detaljerade slipningstips	Hörn och svåråtkomliga platser
1 OT polerings-/renskrapningsstålull	Polerande metall, renskrapning av femissa glasrengöring
Grå skumdyna	Påförande och borttagning av polish
Röd fiberdyna	Kraftig skrubbnig och rostborttagning
Grått slipande papper	Polerande plast

\***Notera:** Fingertillsatsen (6) kanske inte är inkluderat i alla enheter. Alla tillbehör finns tillgängliga från BLACK+DECKER återförsäljare eller via vår webbsida:  
www.blackanddecker.co.uk

## Montering

**Varning!** Innan montering, se till att verktyget är avstängd och urkopplad.

### Montering av slippapper (bild A och B)

- ◆ Lossa de båda rombformade spetsarna (8) från slippapperet (9).
- ◆ Håll verktyget med basplattan uppåt.
- ◆ Placera slippapperet (9) på basplattan och se till att hålen i papperet överensstämmer med hålen i plattan.

Den rombformade spetsen (8) kan vändas och bytas ut när den blir sliten.

- ◆ När den främre spetsen är sliten lossar du den från papperet, vänder på den och trycker fast den på basplattan igen.
- ◆ När hela spetsen är utsliten tar du bort den från basplattan och monterar en ny spets.
- ◆ Poleringsskummet och dynorna (14) kan fästas på samma sätt som sandpappren.

### Basplattans spets (bild D)

När basplattans spets (5) eller spetshållaren (4) är utsliten kan den vändas eller bytas ut. Reservdelar finns hos din Black+Decker-återförsäljare.

- ◆ Ta bort skruven (7).
- ◆ Vänd eller byt ut den slitna delen.
- ◆ Fäst och dra åt skruven.

### Fingertillsats (bild D)

Fingertillsatsen kan användas vid detaljslipning.

- ◆ Ta bort skruven (7).
- ◆ Ta bort den rombformade spetshållaren (4) från basplattan.
- ◆ Montera fingertillsatsen (6) på basplattan.
- ◆ Fäst och dra åt skruven.

- ◆ Fäst ett lämpligt sandpapper (11) på fingertillsatsen.

## Användning

**Varning!** Låt verktyget arbeta i sin egen takt. Överbelasta inte.  
**Varning!** Täck inte över ventilationsöppningarna när verktyget används. Håll verktyget såsom visas i bild H. Se till att basplattan ligger plant mot arbetsstycket.

## Ansluta en dammsugare (bild F)

Verktyget har en adapter för att ansluta till en dammsugare vid slipning av trä. För att ansluta verktyget till en dammsugare, gör enligt följande:

**Varning!** Se till att verktyget är avstängt samt att det inte är anslutet.

- ◆ Fäst dammsugningsanslutningen (2) på adaptern på baksidan av verktyget.
- ◆ Anslut dammsugarslangen från en lämplig dammsugare till anslutningen.

## Starta och stänga av (bild G)

**Varning!** Kontrollera att verktyget är avstängd innan du ansluter den till elnätet.

- ◆ Starta verktyget genom att trycka på den del av strömbrytaren (1) som är märkt med 'I'.
- ◆ För att stänga av verktyget tryck på den del av strömbrytaren (1) som är märkt med 'O'.

## Tillbehör

Verktygets prestanda beror på vilka tillbehör du använder. Tillbehör från BLACK+DECKER håller hög kvalitet och är konstruerade för att fungera optimalt med verktyget. Genom att använda dessa tillbehör får du ut mesta möjliga av verktyget.

## Underhåll

Detta BLACK+DECKER-verktyg har konstruerats för att fungera under lång tid med ett minimum av underhåll. Kontinuerlig tillfredsställande drift är beroende av ordentlig verktygsvård och regelbunden rengöring. Laddaren behöver inget annat underhåll än regelbunden rengöring.

**Varning!** Koppla loss laddaren innan du utför något underhåll på eller rengör verktyget.

- ◆ Rengör regelbundet apparatens luftintag med en mjuk borste eller torr trasa.
- ◆ Rengör motor kåpan regelbundet med en fuktig trasa. Använd aldrig något slipande eller lösningsmedelsbaserat rengöringsmedel.

## Byte av elkontakten (endast Storbritannien och Irland)

Om en ny elkontakt måste monteras:

- ◆ Gör dig av med den gamla kontakten på lämpligt sätt.

- ◆ Anslut den bruna ledningen till den strömförande anslutningen i den nya kontakten.
- ◆ Anslut den blå ledningen till den icke strömförande anslutningen.

**Varning!** Ingenting bör kopplas till jordanslutningen. Följ de monteringsanvisningar som följer med kontakter av god kvalitet. Rekommenderad säkring: 5 A.

## Skydda miljön



Separat insamling. Produkter och batterier som är markerade med denna symbol får inte kastas i de vanliga hushållsoporna.

Produkter och batterier innehåller material som kan återanvändas eller återvinnas för att minska behovet av råmaterial.

Återvinn elektriska produkter och batterier enligt lokala föreskrifter. Närmare information finns tillgänglig på [www.2helpU.com](http://www.2helpU.com)

## Tekniska data

BEW230		
Inspänning	$V_{AC}$	230
Ineffekt	W	55
Obelastat varvtal	$\text{min}^{-1}$	11 000
Vikt	kg	0.8

### Ljudtrycksnivå enligt EN 62841:

Ljudtryck ( $L_{pA}$ ) 65 dB(A), osäkerhet (K) 3 dB(A)

Ljudtryck ( $L_{WA}$ ) 76 dB(A), osäkerhet (K) 3 dB(A)

### Totala vibrationsvärden (vektorsumman av tre axlar) enligt EN 62841:

(a.) 12.5 m/s<sup>2</sup>, osäkerhet (K) 1.5 m/s<sup>2</sup>

## EG-försäkring om överensstämmelse MASKINDIREKTIVET



BEW230 slipmaskin

Black & Decker garanterar att produkterna som beskrivs under "Tekniska data" uppfyller:

2006/42/EG, EN62841-1:2015, EN62841-2-4:2014.

Dessa produkter överensstämmer även med direktiven 2014/30/EU och 2011/65/EU. Kontakta Black & Decker för ytterligare information på följande adress, eller se handbokens baksida.

Undertecknad är ansvarig för sammanställningen av tekniska data och gör denna försäkring på uppdrag av Black & Decker.

*Patrick Diepenbach*

Patrick Diepenbach  
General Manager, Benelux  
Stanley FatMax,  
Egide Walschaertsstraat 14-18  
2800 Mechelen, Belgium  
2018-08-24

## Garanti

Black & Decker är säker på kvaliteten hos denna produkt och erbjuder kunder 24 månaders garanti från inköpsdatumet.

Garantin gäller utöver konsumentens rättigheter enligt lag och påverkar inte dessa. Garantin är giltig i de områden som tillhör medlemsstaterna i Europeiska unionen och det europeiska frihandelsområdet.

För yrkande under garantin måste yrkandet vara in enlighet med Black & Deckers villkor och du kommer att behöva skicka in bevis på köpet till försäljaren eller en auktoriserad reparatör.

Villkoren för Black & Deckers tvååriga garanti och var du hittar din närmaste auktoriserade reparatör kan erhållas på internet på [www.2helpU.com](http://www.2helpU.com), eller genom att kontakta ditt lokala Black & Deckers kontor på adressen som anges i denna manual.

Besök vår webbplats [www.blackanddecker.se](http://www.blackanddecker.se) för att registrera din nya Black & Decker-produkt samt för att få information om nya produkter och specialerbjudanden.

## Tiltenkt bruk

Din BLACK+DECKER BEW230 sandsliper er konstruert for sliping av treverk, metall, plast og malte overflater. Dette verktøyet er bare ment som et forbrukerverktøy.

## Sikkerhetsinstruksjoner

### Generelle sikkerhetsadvarsler for elektroverktøy



**Advarsel!** Les alle sikkerhetsanvisninger, instruksjoner, illustrasjoner og spesifikasjoner som følger dette elektriske verktøyet. Hvis advarslene og anvisningene nedenfor ikke overholdes, kan det medføre elektrisk støt, brann og/eller alvorlige personskader.

**Ta vare på alle advarsler og instruksjoner for fremtidig bruk.** Uttrykket "elektroverktøy" i alle advarslene nedenfor gjelder for strømdrevne elektroverktøy (med ledning) og batteridrevne elektroverktøy (uten ledning).

#### 1. Sikkerhet i arbeidsområdet

- Hold arbeidsområdet rent og godt opplyst.** Rotete eller mørke områder er en invitasjon til ulykker.
- Ikke arbeid med elektroverktøy i eksplosjonsfarlige omgivelser, for eksempel der det befinner seg brennbare væsker, gass eller støv.** Elektrisk verktøy skaper gnister som kan antenne støv eller gasser.
- Hold barn og andre personer unna når du bruker et elektroverktøy.** Distraksjoner kan føre til at du mister kontrollen.

#### 2. Elektrisk sikkerhet

- Støpselet til verktøyet må passe til stikkkontakten. Aldri modifier støpselet på noen måte. Ikke bruk adapterstøpsler til jordede elektriske verktøy.** Umofiserte støpsler og stikkontakter som passer vil redusere risikoen for elektrisk sjokk.
- Unngå kroppskontakt med jordede overflater som rør, radiatorer, komfyrer og kjøleskap.** Det er økt risiko for elektrisk støt dersom kroppen din er jordet.
- Ikke utsett elektroverktøy for regn eller fuktighet.** Dersom det kommer vann inn i et elektrisk verktøy vil det øke risikoen for elektrisk sjokk.
- Unngå uforvarlig behandling av ledningen. Aldri bruk ledningen til å bære, trekke eller dra ut støpselet til det elektriske verktøyet. Hold ledningen borte fra varme, olje, skarpe kanter eller bevegelige deler.** Skadede eller innviklede ledninger øker risikoen for elektrisk sjokk.
- Når du bruker et elektroverktøy utendørs, må du bruke en skjøteledning som er egnet til utendørs bruk.** Bruk av en skjøteledning beregnet for utendørs bruk reduserer risikoen for elektrisk støt.

- Hvis du ikke kan unngå å bruke elektroverktøy på et fuktig sted, må du bruke en strømforsyning som er beskyttet med jordfeilbryter (RCD).** Bruk av jordfeilbryter (RCD) reduserer risikoen for elektrisk støt.

#### 3. Personikkerhet

- Vær oppmerksom, pass på hva du gjør, og vis fornuft når du arbeider med et elektroverktøy. Ikke bruk et elektrisk verktøy dersom du er trøtt eller er påvirket av medikamenter, narkotika eller alkohol.** Ett øyeblikks uoppmerksomhet under bruk av elektriske verktøy kan føre til alvorlig personskade.
- Bruk personlig verneutstyr. Bruk alltid vernebriller.** Verneutstyr slik som støvmaske, sklisikre vernesko, hjelm, eller hørselsvern brukt under passende forhold vil redusere personskader.
- Forhindre utilsiktet start. Kontroller at bryteren står i posisjon "av" før du kobler til strømkilden og/eller batteripakken, og før du tar opp eller bærer verktøyet.** Å bære elektriske verktøy med fingeren på bryteren eller å sette inn støpselet mens elektriske verktøy har bryteren på øker faren for ulykker.
- Fjern eventuelt innstillingsverktøy eller skruverktøy før du slår på elektroverktøyet.** Et skruverktøy eller en nøkkel som fortsatt er festet til en roterende del av elektroverktøyet, kan føre til personskade.
- Ikke strekk deg for langt. Ha godt fotfeste og stå støtt hele tiden.** Dette fører til at du har bedre kontroll over det elektriske verktøyet ved uventede situasjoner.
- Bruk egnete klær. Ikke ha på deg løstsittende klær eller smykker. Hold hår, antrekk og hansker borte fra bevegelige deler.** Løstsittende klær, smykker og langt hår kan bli fanget opp av bevegelige deler.
- Hvis det kan monteres støvavsug- og oppsamlingsinnretninger, må du forvise deg om at disse er tilkoblet og brukes på riktig måte.** Bruk av støvoppsamlere kan redusere støvrelaterte farer.
- Ikke la erfaring med hyppig bruk av verktøy la deg bli likegyldig og ignorere verktøyet sine sikkerhetsregler.** En uforsiktig handling kan føre til alvorlig personskade på brøkdelen av et sekund.

#### 4. Bruk og behandling av elektroverktøy

- Ikke bruk makt på elektroverktøyet. Bruk det elektriske verktøyet som situasjonen krever.** Det riktige elektriske verktøyet vil gjøre jobben bedre og tryggere ved den hastigheten det ble konstruert for.
- Ikke bruk elektroverktøyet hvis du ikke kan slå det på og av med bryteren.** Ethvert elektrisk verktøy som ikke kan kontrolleres med bryteren er farlig og må repareres.

- c. **Trek støpelet ut av stikkkontakten og/eller koble fra batteripakken på elektroverktøyet før du utfører innstillinger, bytter tilbehør eller legger elektroverktøyet bort for lagring.** Slike preventive sikkerhetsforanstaltninger reduserer risikoen for å starte det elektriske verktøyet ved et uhell.
- d. **Elektroverktøy som ikke er i bruk, må oppbevares utilgjengelig for barn. Ikke la verktøyet bli brukt av personer som ikke er fortlrolige med det, eller som ikke kjenner disse instruksjonene.**  
Elektriske verktøy er farlige i hendene på utrenede brukere.
- e. **Sørg for vedlikehold av elektroverktøy. Undersøk om bevegelige deler er feiljustert eller blokkert, om deler er skadet, og om det er andre forhold som kan påvirke elektroverktøyets funksjon. Dersom det er skadet, få verktøyet reparert før neste bruk.** Mange ulykker forårsakes av dårlig vedlikeholdte verktøy.
- f. **Hold skjæreverktøy skarpe og rene.** Godt vedlikeholdte skjæreverktøy med skarpe skjærekanter setter seg mindre sannsynlig fast og er lettere å kontrollere.
- g. **Bruk elektroverktøy, tilbehør, bits osv. i henhold til disse instruksjonene. Ta hensyn til arbeidsforholdene og arbeidet som skal utføres.** Bruk av det elektriske verktøyet for oppgaver som er forskjellige fra de som er tiltenkt kan føre til en farlig situasjon.
- h. **Hold håndtakene og gripeflatene tørre, rene og frie for olje og fett.** Glatte håndtak og gripeflater forhindrer trygg håndtering og kontroll av verktøyet i uventede situasjoner.

## 6. Service

- a. **Elektroverktøyet skal repareres av kvalifisert personell og bare med originale reservedeler.** Dette vil sikre at verktøyets sikkerhet blir ivaretatt.

## Ytterligere sikkerhetsadvarsler for elektroverktøy



**Advarsel!** Ekstra sikkerhetsadvarsel for slipemaskiner

- ◆ **Hold elektroverktøyet i de isolerte gripeoverflatene fordi usseflaten kan komme i kontakt med sin egen ledning.** Kapping av en strømførende ledning kan føre til at eksponerte metalldele på elektroverktøyet blir strømførende, og kan gi operatøren støt.
- ◆ **Bruk klemmer eller en annen praktisk måte å feste og støtte arbeidsstykket på en stabil plattform.** Å holde arbeidsstykket i hendene eller mot kroppen er ustabil og kan føre til at du mister kontroll.
- ◆ **Advarsel! Kontakt med eller innånding av støv som oppstår ved pussing, kan være helseskadelig for brukeren og eventuelle personer i nærheten.**

Bruk en støvmaske som er spesielt utformet for å beskytte mot støv og damp/gass, og pass på at personer som er i eller kommer inn i arbeidsområdet, også er beskyttet.

- ◆ **Fjern alt støv grundig etter sliping.**
- ◆ **Vær ekstra forsiktig når du pusser maling som kan inneholde bly, eller metall som kan avgi giftig støv:**
  - ◆ Ikke la barn eller gravide komme inn der du arbeider.
  - ◆ Du må ikke spise, drikke eller røyke der du arbeider.
  - ◆ **Kvitt deg med støvpartikler eller annet avfall på en miljøvennlig måte.**
- ◆ **Bruksområdet er beskrevet i denne bruksanvisningen.** Hvis du bruker annet tilbehør, kobler til annet utstyr eller bruker dette produktet til andre oppgaver enn det som er anbefalt i denne håndboken, kan det medføre fare for personskader og/eller materielle skader.

## Andre personers sikkerhet

- ◆ Dette apparatet er ikke ment for bruk av personer (inkludert barn) med redusert fysiske, sensoriske eller mentale evner, eller mangel på erfaring og kunnskap, med mindre de får tilsyn eller har blitt opplært i bruk av apparatet av en person ansvarlig for deres sikkerhet.
- ◆ Barn må holdes under oppsyn, sørg for at de ikke leker med apparatet.

## Andre risikoer.

Når verktøyet brukes, kan det oppstå ytterligere risikoer som kanskje ikke er beskrevet i de medfølgende sikkerhetsadvarslene. Disse risikoene kan bli forårsaket av feil bruk, langvarig bruk osv.

Selv om de relevante sikkerhetsbestemmelsene blir fulgt, og sikkerhetstiltakene blir gjennomført, kan visse gjenværende risikoer ikke unngås. Disse inkluderer:

- ◆ Personskader som forårsakes av berøring av en roterende/bevegelig del.
- ◆ Personskader som oppstår ved skifte av deler, blader eller tilbehør.
- ◆ Personskader som skyldes for lang tids bruk av verktøyet. Når du bruker et verktøy i lange perioder, må du sørge for å ta regelmessige pauser.
- ◆ Hørselskader.
- ◆ Helsefare forårsaket av innånding av støv som utvikler seg når du bruker verktøyet (eksempel: arbeid med tre, spesielt eik, bøk og MDF.)

## Vibrasjon

Vibrasjonsemissjonsverdien som er angitt under tekniske data og samsvarserklæring, er blitt målt i henhold til en standard testmetode som er angitt i EN62841, og kan brukes til å sammenligne et verktøy med et annet.

Den oppgitte vibrasjonsemissionsverdien kan også brukes til en foreløpig vurdering av eksponering.

**Advarsel!** Vibrasjonsemissionsverdien under faktisk bruk av elektroverktøyet kan avvike fra den oppgitte verdien avhengig av måten verktøyet blir brukt på. Vibrasjonsnivået kan øke over nivået som er oppgitt.

Når det vurderes vibrasjonseksponering for å avgjøre hvilke sikkerhetstiltak som kreves ifølge 2002/44/EF, for å beskytte personer som bruker elektroverktøy regelmessig til arbeidsformål, skal det, når vibrasjonseksponeringen anslås, tas hensyn til de faktiske bruksforholdene og måten verktøyet blir brukt på. Dette inkluderer å ta hensyn til alle deler av brukssyklusen, for eksempel når verktøyet er avslått, når det går på tomgang og når utløseren er trykket inn.

### Etiketter på verktøyet

Følgende advarselssymboler vises på verktøyet sammen med datokoden:



**Advarsel!** Brukeren må lese håndboken for å redusere risikoen for personskade.

### Elektrisk sikkerhet



Dette verktøyet er dobbeltisolert. Jording er derfor ikke nødvendig. Kontroller alltid at strømforsyningen samsvarer med spenningen på merkeskiltet.

- ◆ Hvis strømledningen blir skadet, må den byttes av produsenten eller et autorisert BLACK+DECKER-servicesenter for å unngå fare.

### Funksjoner

Dette verktøyet har noen av eller alle følgende egenskaper.

1. På-/av-bryter
2. Støvsugerkobling.
3. Bunnplate
4. Tupp-holder
5. Slipebasetupp
6. Fingertilbehør\*
7. Skrue
8. Diamantformet tupp

I tillegg er apparatet utstyrt med noe av eller alt det følgende tilbehøret:

Tilbehør	Anbefalt bruksområde og bruk
Grovt sandpapir	Rask fjerning av maling, lakk og rust
Middels grovt sandpapir	Fjerning av maling, lakk og rust
Fint sandpapir	Overflatesliping og pussing
Ekstra fint sandpapir	Sliping mellom strøk

Detaljslipingstips	Hjørner og trange områder
1 OT-polerings-/renseull	Polering av metaller, strippe lakk og glassrengjøring
Grå skumpute	Påføring og fjerning av polering
Rød, ikke-vevd pute	Kraftig skrubbing og rustfjerning
Grått slipepapir	Polering av plast

\***Merk:** Fingertilbehøret (6) følger kanskje ikke med alle enheter. Alt tilbehør er tilgjengelig fra BLACK+DECKER-forhandleren din eller via nettstedet vårt: [www.blackanddecker.co.uk](http://www.blackanddecker.co.uk)

### Montering

**Advarsel!** Før monteringen må du passe på at verktøyet er slått av, og at støpselet er trukket ut.

### Sette på slipepapir (figur A og B)

- ◆ Ta av de to diamantformede hodene (8) fra slipepapiret (9).
- ◆ Hold verktøyet med slipebasen vendt oppover.
- ◆ Legg slipepapiret (9) på slipebasen. Pass på at hullene i slipepapiret ligger rett over hullene i basen.

Det diamantformede hodet (8) kan snus og byttes når den er utslitt.

- ◆ Når den fremre delen av hodet er slitt, tar du det av fra papiret, snur det og trykker det fast på slipebasen igjen.
- ◆ Når et helt hode er slitt, fjerner du det fra slipebasen og setter på et nytt hode.
- ◆ Poleringsskum og puter (14) kan monteres på samme måte som sandpapirark.

### Tupp på slipebase (figur D)

Når tuppen (5) på slipebasen eller tuppholderen (4) er slitt, kan det snus eller byttes. Reservedeler fås hos BLACK+DECKER-forhandleren.

- ◆ Ta ut skruen (7).
- ◆ Snu eller bytt den slitte delen.
- ◆ Sett i og stram holdeskruen.

### Fingertilbehør (figur D)

Fingertilbehøret brukes til finere detaljsliping.

- ◆ Ta ut skruen (7).
- ◆ Ta av den diamantformede hodeholderen (4) fra slipebasen.
- ◆ Monter fingertilbehøret (6) på slipebasen.
- ◆ Sett i og stram holdeskruen.
- ◆ Monter riktig slipepapir (11) på fingertilbehøret.

### Bruk

**Advarsel!** La verktøyet arbeide i sin egen hastighet.

Må ikke overbelastes.

**Advarsel!** Ikke dekk til ventilasjonsåpningene når du bruker verktøyet. Hold verktøyet som vist i figur H. Pass på at slipebasen ligger flatt på arbeidsstykket.

### Koble til en støvsuger (figur F)

Verktøyet har en adapter for å koble til en støvsuger ved pushing av treverk. For å koble verktøyet til støvsugeren, gjør følgende:

**Advarsel!** Sørg for at verktøyet er slått av og at kontakten er trukket ut.

- ◆ Sett støvsugerkoblingen (2) på adapteren på baksiden av verktøyet.
- ◆ Koble slangen på støvsugeren til koblingen.

### Slå på og av (figur G)

**Advarsel!** Før du kobler til strømmen, må du sørge for at verktøyet er slått av.

- ◆ Når du skal slå verktøyet på, trykker du på den delen av på/av-bryteren (1) som er merket "I".
- ◆ Trykk på den delen av på/av-bryteren (1) som er merket "0" for å slå verktøyet av.

### Tilbehør

Verktøyet ytelse avhenger av hva slags tilbehør som brukes. Tilbehør fra BLACK+DECKER er produsert etter høye kvalitetsstandarder og er konstruert for å bedre verktøyet ytelse. Hvis du bruker dette tilbehøret, får du mest mulig ut av verktøyet ditt.

### Vedlikehold

BLACK+DECKER-verktøyet ditt er konstruert for å være i drift over lengre tid med et minimum av vedlikehold. For at den skal fungere tilfredsstillende over tid, er det viktig å sørge for riktig stell av verktøyet og regelmessig renhold. Laderen krever ikke annet vedlikehold enn regelmessig rengjøring.

**Advarsel!** Før du utfører vedlikehold på verktøyet, må du koble fra og fjerne laderen før du rengjør det.

- ◆ Rengjør ventilasjonsåpningene i verktøyet jevnt med en myk børste eller tørr klut.
- ◆ Rengjør motorhuset regelmessig med en fuktig klut. Ikke bruk slipende eller løsemiddelbaserte rengjøringsmidler.

### Skifte støpsele (bare Storbritannia og Irland)

Dersom du trenger å sette på et nytt støpsele:

- ◆ Kast det gamle støpselet på en trygg måte.
- ◆ Koble den brune ledningen til den strømførende terminalen i det nye støpselet.
- ◆ Koble den blå ledningen til den nøytrale terminalen.

**Advarsel!** Jordingslederen skal ikke kobles til. Følg monteringsanvisningen som medfølger støpsler av god kvalitet. Anbefalt sikring: 5 A.

### Miljøvern



Separat avfallshåndtering. Produkter og batterier merket med dette symbolet skal ikke kastes i vanlig husholdningsavfall.

Produkter og batterier inneholder materialer som kan gjenbrukes eller gjenvinnes for å redusere behovet for nye råmaterialer.

Vennligst lever elektrisk utstyr og batterier til gjenbruk i henhold til lokale regler. Mer informasjon finner du på [www.2helpU.com](http://www.2helpU.com)

### Tekniske data

		BEW230
Inngangsspenning	$V_{AC}$	230
Inngangseffekt	W	55
Ubelastet hastighet	$\text{min}^{-1}$	11 000
Vekt	kg	0,8

#### Lydtryknivå i henhold til EN 62841:

Lydtrykk ( $L_{pA}$ ) 65 dB(A), usikkerhet (K) 3 dB(A)

Lydteffekt ( $L_{WA}$ ) 76 dB(A), usikkerhet (K) 3 dB(A)

#### Totale vibrasjonsverdier (triaks vektorsum) bestemt i samsvar med EN 62841:

(a) 12,5 m/s, usikkerhet (K) 1,5 m/s

### EU-samsvarserklæring

MASKINDIREKTIVET



BEW230 Sandsliper

Black & Decker erklærer at disse produktene, som er beskrevet under "Tekniske data", er i samsvar med: 2006/42/EC, EN62841-1:2015, EN62841-2-4:2014.

Disse produktene er også i samsvar med direktiv 2014/30/EU og 2011/65/EU. Hvis du ønsker mer informasjon, kan du kontakte Black & Decker på adressen under eller se baksiden av bruksanvisningen.

Undertegnede er ansvarlig for utarbeidelsen av den tekniske dokumentasjonen og gir denne erklæringen på vegne av Black & Decker.

*Patrick Diepenbach*

Patrick Diepenbach  
General Manager, Benelux  
Stanley FatMax,  
Egide Walschaertsstraat 14-18  
2800 Mechelen, Belgium  
24.08.2018

## Garanti

Black & Decker er trygg på kvaliteten av produktene sine og tilbyr en 24 måneders garanti fra kjøpsdato. Denne garantierklæringen kommer i tillegg til dine lovbestemte rettigheter og er ikke i konflikt med disse. Garantien er gyldig innen områdene tilhørende medlemslandene i den Europeiske Union (EU) og det Europeiske Frihandelsområdet (EFTA).

For å ta garantien i bruk må kravet være i samsvar med kjøpsbetingelsene fra Black&Decker og du må vise kjøpskvittering til forhandleren eller til et autorisert serviceverksted.

Betingelsene for Black & Deckers 2 års garanti og adressen til din nærmeste autoriserte serviceverksted kan du finne på internett under [www.2helpU.com](http://www.2helpU.com), eller ved å kontakte ditt lokale Black & Decker kontor, adressen er angitt i denne bruksanvisningen.

Besøk våre nettsider på [www.blackanddecker.no](http://www.blackanddecker.no) for å registrere ditt nye Black & Decker-produkt og for å få informasjon om nye produkter og spesialtilbud.

## Tilsigdet brug

Din BLACK+DECKER BEW230-slibemaskine er designet til slibning og pudssning af træ, metal, plastic og malede overflader. Værktøjet er kun beregnet til privat brug.

## Sikkerhedsinstruktioner

### Generelle sikkerhedsadvarsler vedrørende elværktøj



**Advarsel!** Læs alle sikkerhedsadvarsler, instruktioner, illustrationer og specifikationer, der følger med dette elværktøj. Hvis efterfølgende advarsler og instruktioner ikke følges, er der risiko for elektrisk stød, brand og alvorlige kvæstelser.

### Gem alle advarsler og instruktioner til fremtidig reference.

Begrebet "elværktøj", der benyttes i nedenstående advarsler, henviser til netdrevet elværktøj (med netledning) eller batteridrevet elværktøj (uden netledning).

1. **Sikkerhed i arbejdsområdet**
  - a. **Hold arbejdsområdet rent og ordentligt oplyst.** Rodede eller mørke områder giver anledning til ulykker.
  - b. **Brug ikke elværktøj i eksplosive omgivelser, f.eks. hvor der er brændbare væsker, gasser eller støv.** Elværktøj danner gnister, der kan antænde støv eller dampe.
  - c. **Hold børn og andre personer i nærheden på afstand, når der arbejdes med elværktøj.** Distractioner kan medføre, at du mister kontrollen.
2. **Elektricitet og sikkerhed**
  - a. **Elværktøjets stik skal passe til kontakten. Stikket må aldrig modificeres på nogen måde. Undlad at bruge adapterstik sammen med (jordforbundet) elektrisk værktøj.** Umodificerede stik og dertil passende stikkontakter reducerer risikoen for elektrisk stød.
  - b. **Undgå kropskontakt med jordforbundne overflader som f.eks. rør, radiatorer, komfurer og køleskabe.** Der er øget risiko for elektrisk stød, hvis din krop er jordforbundet.
  - c. **Udsæt ikke elværktøj for regn, og brug det ikke, hvor omgivelserne er våde.** Hvis der trænger vand ind i et elektrisk værktøj, øges risikoen for elektrisk stød.
  - d. **Pas på, at ledningen ikke beskadiges. Brug aldrig ledningen til at bære, trække værktøjet eller trække det ud af stikkontakten. Hold ledningen borte fra varme, olie, skarpe kanter og bevægelige dele.** Beskadigede eller sammenfiltrede ledninger øger risikoen for elektrisk stød.
  - e. **Hvis elværktøj benyttes i det fri, skal der benyttes en forlængerledning, som er godkendt til udendørs brug.**

Brug af en ledning, der er egnet til udendørs brug, reducerer risikoen for elektrisk stød.

- f. **Brug en strømkilde med fejlstrømsrelæ, hvis det er nødvendigt at anvende elværktøj på fugtige steder.** Ved at benytte en fejlstrømsafbryder reduceres risikoen for elektrisk stød.
3. **Personsikkerhed**
- a. **Vær opmærksom, hold øje med, hvad du laver og brug elværktøjet fornuftigt. Betjen ikke værktøjet, hvis du er træt, påvirket af narkotika, alkohol eller medicin.** Et øjeblikks uopmærksomhed under anvendelse af et elektrisk værktøj kan forårsage alvorlige kvæstelser.
- b. **Brug personligt beskyttelsesudstyr. Bær altid beskyttelsesbriller.** Det er muligt at reducere risikoen for kvæstelser ved alt efter omstændighederne at anvende det passende sikkerhedsudstyr såsom støvmaske, skridsikre sikkerhedssko, sikkerhedshjelm eller hørevern.
- c. **Træf forholdsregler, så utilsigtet start ikke er mulig. Kontrollér, at afbryderkontakten står på slukket, inden værktøjet tilsluttes strømkilden og/eller batteriet, samles op eller bæres.** Når elektrisk værktøj bæres med fingeren på kontakten eller tilsluttes, når kontakten er tændt, giver det anledning til ulykker.
- d. **Fjern indstillingsnøgle eller skruenøgle, inden elværktøjet startes.** En skruenøgle eller anden nøgle, der bliver siddende på en roterende del af elektrisk værktøj, kan give anledning til personskade.
- e. **Stræk dig ikke for langt. Hold hele tiden en god fodstilling og balance.** Dette udgør at du har bedre kontrol over det elektriske værktøj, når uventede situationer opstår.
- f. **Brug egnet arbejdstøj. Bær ikke løst tøj eller smykker. Hold dit hår, tøj og handsker væk fra bevægelige dele.** Løstsiddende tøj, smykker eller langt hår kan blive fanget i bevægelige dele.
- g. **Hvis der kan monteres støvudsugnings- og opsamlingsudstyr, skal dette tilsluttes og benyttes korrekt.** Anvendelse af støvopsamlingsudstyr kan begrænse farer forårsaget af støv.
- h. **Lad ikke kendskab fra hyppig brug af værktøjer gøre dig uforsigtig og få dig til at ignorere principperne for værktøjsikkerhed.** En uforsigtig handling kan forårsage alvorlig personskade på en brøkdal af et sekund.
4. **Brug og vedligeholdelse af elværktøj**
- a. **Overbelast ikke elværktøjet. Brug det elværktøj, der er bedst egnet til det arbejde, der skal udføres.** Det korrekte elværktøj klarer opgaven bedre og mere sikkert med den effekt, som det er konstrueret til.
- b. **Brug ikke elværktøjet, hvis afbryderkontakten er defekt.** Alt elektrisk værktøj, der ikke kan kontrolleres med kontakten, er farligt og skal repareres.

- c. **Træk stikket ud af stikkontakten og/eller batteriet inden indstilling, tilbehørsudskiftning eller opbevaring af elværktøjet.** Sådanne forebyggende sikkerhedsforanstaltninger mindsker risikoen for, at værktøjet startes utilsigtet.
- d. **Opbevar ubenyttet elværktøj uden for børns rækkevidde. Lad aldrig personer, der ikke er fortrolige med elværktøjet, eller som ikke har læst denne vejledning, benytte maskinen.** El-værktøj er farligt i hænderne på personer, som ikke er instrueret i brugen deraf.
- e. **Elværktøj skal vedligeholdes. Kontroller, om bevægelige dele er skæve og ikke sidder fast, og om delene er brækket eller beskadiget, så elværktøjets funktion påvirkes. Hvis det elektriske værktøj er beskadiget, skal det repareres før brug.** Mange ulykker er forårsaget af dårligt vedligeholdt værktøj.
- f. **Hold skæreværktøj skarpt og rent.** Ordentligt vedligeholdt skæreværktøj med skarpe skærekanter har mindre tilbøjelighed til at binde og er lettere at styre.
- g. **Brug elværktøjet, tilbehøret, værktøjsindsatser osv. i overensstemmelse med disse instruktioner under hensyntagen til arbejdsforholdene og arbejdet, der skal udføres med værktøjet.** Brug af elektrisk værktøj til andre opgaver end dem, det er beregnet til, kan resultere i en farlig situation.
- h. **Hold håndtagene og håndtagsfladerne tørre, rene og fri for olie og fedt.** Glatte håndtag og håndtagsflader giver ikke en sikker håndtering og kontrol af værktøjet i uventede situationer.

## 6. Service

- a. **Lad kun fagkyndige personer reparere elværktøjet og benyt kun originale reservedele.** Derved sikres det, at værktøjets driftssikkerhed opretholdes.

## Yderligere sikkerhedsadvarsler for elværktøj



**Advarsel!** Yderligere sikkerhedsadvarsler for slibemaskiner

- ◆ **Hold det elektriske værktøj ved hjælp af gribeoverfladerne, fordi slibeoverfladen kan komme i kontakt med sin egen ledning.** Hvis man skærer i en strømførende ledning, bliver elværktøjets blotlagte dele strømførende, så brugeren får stød.
- ◆ **Brug klemmer eller en anden praktisk måde på at sikre og understøtte arbejdsemnet til et stabilt underlag.** Hvis du holder fast i arbejdsemnet med din hånd eller krop, vil det være ustabil, og det kan medføre, at du mister kontrollen over det.
- ◆ **Advarsel! Kontakt med eller indånding af støvpartikler fra slibearbejde kan udgøre en fare for både brugerens og eventuelle omkringståendes helbred.**



Bær en specielt designet støvmaske til beskyttelse mod støv og røg, og sørg for, at personer, der befinder sig på eller kommer ind på arbejdsområdet, også er beskyttet.

- ◆ **Man skal grundigt fjerne alt støv efter slibning.**
- ◆ **Man skal være specielt opmærksom ved slibning af maling, som er blybaseret, og ved slibning af nogle typer træ og metal, som kan frembringe giftigt støv:**
  - ◆ **Børn og gravide kvinder må ikke betræde arbejdsområdet.**
  - ◆ **Man må hverken spise, drikke eller ryge inden for arbejdsområdet.**
  - ◆ **Støvparkler og andet affald skal bortskaffes på en sikker måde.**
- ◆ **Den tilsigtede anvendelse er beskrevet i denne betjeningsvejledning.** Brug af ekstraudstyr eller tilbehør eller udførelse af andre opgaver med dette værktøj end de, der anbefales i denne vejledning, kan medføre risiko for personskade og/eller materiel skade.

### Andres sikkerhed

- ◆ Dette udstyr er ikke beregnet til anvendelse af personer (inklusive børn) med nedsatte fysiske, sensoriske eller mentale handicaps eller med mangel på erfaringer eller viden, medmindre de er under overvågning eller har fået instruktioner i brugen af udstyret af en person, der er ansvarlig for deres sikkerhed.
- ◆ Børn skal holdes under opsyn, så det sikres, at de ikke leger med værktøjet.

### Resterende risici.

Der kan opstå yderligere, tilbageværende risici under brugen af apparatet, som muligvis ikke behandles i de vedlagte sikkerhedsadvarsler. Disse risici kan opstå pga. forkert anvendelse, langvarig brug etc.

Selv ved overholdelse af relevante sikkerhedsforskrifter og anvendelse af sikkerhedsudstyr kan visse resterende risici ikke undgås. Disse omfatter:

- ◆ Tilskadekomst forårsaget af berøring af roterende/bevægelige dele.
- ◆ Tilskadekomst forårsaget af udskiftning af dele, klinger eller tilbehør.
- ◆ Tilskadekomst forårsaget af langvarig brug af et værktøj. Husk at holde pause jævnligt ved brug af et apparat i længere tid.
- ◆ Hørensættelse.
- ◆ Sundhedsrisici forårsaget af indånding af støv, der genereres ved brug af værktøjet (eksempel: arbejde med træ, især, eg, bøg og MDF.)

### Vibration

De angivne værdier for udsendelse af vibration anført under de tekniske data og overensstemmelseserklæringen er målt i henhold til standardtestmetoden i EN62841 og kan bruges til at sammenligne ét værktøj med et andet. Den angivne vibrationsemmissionsværdi kan også bruges i forbindelse med en foreløbig vurdering af eksponeringen.

**Advarsel!** Værdien for vibrationsemission ved faktisk brug af elværktøjet kan afvige fra den angivne værdi afhængig af måden, værktøjet anvendes på. Vibrationsniveauet kan overstige det angivne niveau.

I vurderingen af eksponeringen for vibration med henblik på fastsættelse af sikkerhedsforanstaltninger som krævet i 2002/44/EF til beskyttelse af personer, der jævnligt anvender elværktøj i deres arbejde, skal der tages hensyn til de faktiske betingelser under brugen, og måden værktøjet bruges på, herunder alle arbejdsrytters afsnit, f.eks. perioder, hvor værktøjet er slukket, og hvor det kører i tomgang, tillige med startperioderne.

### Mærkatet på værktøjet

Værktøjet er forsynet med følgende symboler samt datokoden:



**Advarsel!** Brugeren skal læse brugervejledningen for at reducere risikoen for kvæstelser.

### Elektricitet og sikkerhed



Denne maskine er dobbelt isoleret. Derfor er jordledning ikke nødvendig. Kontrollér altid, at strømforsyningen svarer til spændingen på mærkepladen.

- ◆ Hvis netledningen beskadiges, skal den udskiftes af producenten eller et autoriseret BLACK+DECKER-værksted, så farlige situationer undgås.

### Funktioner

Apparatet har nogle eller alle af de følgende funktioner.

1. Afbryderkontakt
2. Støvdubblæsningskonnektor.
3. Sokkel
4. Spidsholder
5. Slibefodsvipning
6. Fingertilbehør\*
7. Skruer
8. Diamantformet spids

Dette værktøj leveres desuden med noget af eller alt følgende tilbehør:

Tilbehør	Anbefalet anvendelse og brug
Groft sandpapir	Hurtig fjernelse af maling, lak og rust

Mellemgroft sandpapir	Fjernelse af maling, lak og rust
Fint sandpapir	Overfladeblanding og afslutning
Ekstra fint sandpapir	Slibning mellem lag
Spidsler til slibning af detaljer	Hjørner og steder, der er svære at nå
1 OT polerings-/fjernelsesuld	Polering af metaller, fjernelse af lak og glasrengøring
Grå skumpude	Påføring og fjernelse af pudsemiddel
Rød ikke-vævet pude	Hård skrubning og rustfjernelse
Gråt slibepapir	Polering af plast

\***Bemærk:** Fingertilbehøret (6) medfølger muligvis ikke i alle enheder. Alt tilbehør fås hos BLACK+DECKER-forhandleren eller gennem vores websted: [www.blackanddecker.co.uk](http://www.blackanddecker.co.uk)

## Samling

**Advarsel!** Kontroller før samling, at værktøjet er slukket og at stikket er taget ud af stikkontakten.

## Påsætning af slibebark (fig. A & B)

- ◆ Tag de to rombformede spidsler (8) af slibebarket (9).
- ◆ Hold værktøjet med slibefoden opad.
- ◆ Placer slibebarket (9) på slibefoden, og sørg for, at hullerne i arket passer med hullerne i foden.

De rombformede spidsler (8) kan vendes og udskiftes, når de bliver slidte.

- ◆ Når den forreste del af spidsen bliver slidt, kan den tages af arket, vendes og trykkes fast på slibefoden igen.
- ◆ Når hele spidsen bliver slidt, tages den af slibefoden, og der påsættes en ny spids.
- ◆ Poleringsskummet og puderne (14) kan monteres på samme måde som slibebarkene.

## Slibefodens spids (fig. D)

Når slibefodens spids (5) eller spidsholder (4) er slidt, kan den vendes eller udskiftes. Reservedele fås hos BLACK+DECKER-forhandleren.

- ◆ Fjern skruen (7).
- ◆ Vend eller udskift den slidte del.
- ◆ Sæt skruen i, og spænd den.

## Fingertilbehør (fig. D)

Fingertilbehøret bruges til slibning af fine detaljer.

- ◆ Fjern skruen (7).

- ◆ Fjern holderen til den rombformede spids (4) fra slibefoden.
- ◆ Påsæt fingertilbehøret (6) på slibefoden.
- ◆ Sæt skruen i, og spænd den.
- ◆ Monter det ønskede slibebark (11) på fingertilbehøret.

## Anvendelse

**Advarsel!** Lad værktøjet arbejde i dets eget tempo. Det må ikke overbelastes.

**Advarsel!** Tildæk ikke ventilationsåbningerne, når værktøjet bruges. Hold værktøjet som vist i fig. H. Kontroller, at slibefoden står fladt på arbejdsområdet.

## Tilslutning af en støvsuger (fig. F)

Værktøjet har en adapter til at slutte den til en støvsuger under slibning af træ. Gør følgende for at slutte værktøjet til en støvsuger:

**Advarsel!** Sørg for, at værktøjet er slukket og taget ud af stikkontakten.

- ◆ Sæt støvudblæsningskonnektoren (2) på adapteren på bagsiden af værktøjet.
- ◆ Sæt slangen fra en passende støvsuger til konnektoren.

## Tænd og sluk (fig. G)

**Advarsel!** Kontroller, at det er slukket, inden værktøjet sluttes til strømforsyningen.

- ◆ Tænd værktøjet ved at trykke på den del af tænd/sluk-kontakten (1), der er markeret med 'I'.
- ◆ Sluk værktøjet ved at trykke på den del af tænd/sluk-kontakten (1), der er markeret med 'O'.

## Tilbehør

Værktøjets ydeevne afhænger af det anvendte tilbehør. Tilbehør fra BLACK+DECKER er fremstillet efter høje kvalitetsstandarder og er designet til at forbedre dit værktøjs ydeevne. Når du bruger dette tilbehør, vil værktøjet yde optimalt.

## Vedligeholdelse

Dit BLACK+DECKER-værktøj er beregnet til brug gennem lang tid med et minimum af vedligeholdelse. Vedvarende tilfredsstillende funktion er afhængig af, om apparatet plejes korrekt og rengøres regelmæssigt.

Opladeren kræver ingen vedligeholdelse, men skal rengøres jævnligt.

**Advarsel!** Før udførelse af nogen form for vedligeholdelse på værktøjet: Tag laderen ud af stikkontakten, inden den rengøres.

- ◆ Rengør regelmæssigt værktøjets ventilationshuller med en blød børste eller en tør klud.
- ◆ Rengør med jævne mellemrum motorhuset med en fugtig klud. Der må ikke bruges skuremidler eller opløsningsmidler.

## Udskiftning af netstik (kun Storbritannien og Irland)

Hvis et nyt lysnetstik skal monteres:

- ◆ Det gamle stik skal bortskaffes på en sikker måde.
- ◆ Slut den brune ledning til den strømførende klemme på det nye stik.
- ◆ Slut den blå ledning til den neutrale klemme.

**Advarsel!** Der skal ikke tilsluttes til jordklemmen. Følg de monteringsinstruktioner, der følger med stik af god kvalitet. Anbefalet sikring: 5 A.

## Miljøbeskyttelse



Særskilt bortskaffelse. Produkter og batterier mærket med dette symbol må ikke bortskaffes sammen med normalt husholdningsaffald.

Produkter og batterier indeholder materialer, der kan genvindes eller genbruges og således reducere efterspørgslen efter råvarer.

Genbrug venligst elektriske produkter og batterier i henhold til lokale bestemmelser. Yderligere informationer findes på [www.2helpU.com](http://www.2helpU.com)

## Tekniske data

		BEW230
Indgangsspænding	V <sub>AC</sub>	230
Effektindgang	W	55
Tomgangshastighed	min <sup>-1</sup>	11.000
Vægt	kg	0.8

### Lydtrykniveau i henhold til EN 62841:

Lydtryk (L<sub>PA</sub>) 65 dB(A), usikkerhed (K) 3 dB(A)

Lydeffekt (L<sub>WA</sub>) 76 dB(A), usikkerhed (K) 3 dB(A)

### Samlede værdier for vibration (triaksial vektorsum) i henhold til EN 62841:

(a.) 12,5 m/s<sup>2</sup>; usikkerhed (K) 1,5 m/s<sup>2</sup>

## EU-overensstemmelseserklæring MASKINDIREKTIV



BEW230 Slibemaskine

Black & Decker erklærer, at produkterne beskrevet under "Tekniske data" er i overensstemmelse med: 2006/42/EC, EN62841-1:2015, EN62841-2-4:2014.

Disse produkter er endvidere i overensstemmelse med direktiv 2014/30/EU og 2011/65/EU. Kontakt Black & Decker på nedenstående adresse eller se vejledningens bagside for at få yderligere oplysninger.

Undertegnede er ansvarlig for udarbejdelsen af de tekniske data og fremsætter denne erklæring på vegne af Black & Decker.

*Patrick Diepenbach*

Patrick Diepenbach  
General Manager, Benelux  
Stanley FatMax,  
Egide Walschaertsstraat 14-18  
2800 Mechelen, Belgium  
24/08/2018

## Garanti

Black & Decker er overbevist om den gode kvalitet af sine produkter og giver forbrugerne en garanti på 24 måneder fra købsdatoen. Garantien er et tillæg til forbrugernes lovmæssige rettigheder og påvirker ikke disse. Garantien er gyldig inden for medlemsstaterne af Den Europæiske Union og Det Europæiske Frihandelsområde.

Når du gør krav på garantien, skal kravet være i overensstemmelse med Black & Decker vilkår og betingelser, og du skal indsende dokumentation for købet til sælgeren eller til en autoriseret reparatør.

Vilkår og betingelser for Black & Decker 2 års garanti og placeringen af dit nærmeste autoriserede serviceværksted kan fås på internettet på [www.2helpU.com](http://www.2helpU.com), eller ved at kontakte dit lokale Black & Decker kontor på den adresse, der er angivet i denne vejledning.

Besøg venligst vores websted [www.blackanddecker.co.uk](http://www.blackanddecker.co.uk) for at registrere dit nye Black & Decker produkt og modtage opdateringer om nye produkter og specielle tilbud.

## Käyttötarkoitus

BLACK+DECKER BEW230 -hiomakone on tarkoitettu puun, metallin, muovien ja maalipintojen hiomiseen ja kiillottamiseen. Tämä työkalu on tarkoitettu vain yksityiskäyttöön.

## Turvallisuusohjeet

### Sähkötyökalujen yleiset turvavaroitukset



**Varoitus!** Lue kaikki tämän sähkötyökalun mukana toimitetut varoitukset, käyttöohjeet ja tekniset tiedot. Alla olevien varoitusten ja ohjeiden noudattamisen laiminlyönti saattaa johtaa sähköiskun, tulipaloon ja/tai vakavaan loukkaantumiseen.

**Säästä kaikki varoitukset ja ohjeet tulevaa käyttöä varten.** Ohjeissa käytetty käsite "sähkötyökalu" tarkoittaa verkkokäyttöisiä sähkötyökaluja (verkkojohdolla varustettuja) ja akkukäyttöisiä sähkötyökaluja (ilman verkkojohdot).

#### 1. Työalueen turvallisuus

- Pidä työalue puhtaana ja hyvin valaistuna.**  
Onnettomuuksia sattuu herkemmin epäsiistissä tai huonosti valaistussa ympäristössä.
- Älä käytä sähkötyökalua räjähdysalttiissa ympäristössä, jossa on syttyvää nestettä, kaasua tai pölyä.** Sähkötyökalujen aiheuttamat kipinät voivat sytyttää pölyn tai kaasun.
- Pidä lapset ja sivulliset loitolla sähkötyökalua käyttäessäsi.** Keskittymiskyvyn herpaantuminen voi aiheuttaa hallinnan menettämisen.

#### 2. Sähköturvallisuus

- Sähkötyökalun pistokkeen on sovitettava pistorasiaan. Älä koskaan tee pistokkeeseen mitään muutoksia. Älä yhdistä maadoitettua sähkötyökalua jatkojohtoon.** Sähköiskun vaara vähenee, jos pistokkeisiin ei tehdä muutoksia ja ne yhdistetään vain niille tarkoitettuihin pistorasioihin.
- Vältä koskettamasta maadoitettuja pintoja, kuten putkia, lämpöpattereita, liesiä tai jääkaappeja.** Voit saada sähköiskun, jos kehosi on maadoitettu.
- Älä altista sähkötyökalua sateelle tai kosteudelle.** Sähkötyökaluun menevä vesi lisää sähköiskun vaaraa.
- Älä käsittele virtajohtoa kovakouraisesti. Älä kannata työkaluja sähköjohdosta tai vedä pistoketta pistorasiasta sähköjohdon avulla. Pidä sähköjohto kaukana kuumuudesta, öljystä, terävistä reunoista tai liikkuvista osista.** Vaurioituneet tai sokeutuneet johdot lisäävät sähköiskun vaaraa.
- Käyttäessäsi sähkötyökalua ulkona käytä ainoastaan ulkokäyttöön soveltuvaa jatkojohtoa.** Ulkokäyttöön tarkoitettua sähköjohdon käyttäminen vähentää sähköiskun vaaraa.

- Jos sähkötyökalua on välttämättä käytettävä kosteassa paikassa, käytä vikavirtasuojalla (RCD) suojattua virtalähdettä.** Tämä vähentää sähköiskun vaaraa.

#### 3. Henkilöturvallisuus

- Ole valpas, keskity työhön ja noudata tervettä järkeä sähkötyökalun käytössä. Älä käytä tätä työkalua ollessasi väsynyt tai alkoholin, huumeiden tai lääkkeiden vaikutuksen alaisena.** Keskittymisen herpaantuminen hetkeksikin sähkötyökalua käytettäessä voi aiheuttaa vakavan henkilövahingon.
- Käytä henkilökohtaisia suojavarusteita. Käytä aina suojalaseja.** Hengityssuojaimen, lukumattomien turvajalkineiden, kypärän ja kuulonsuojaimen käyttäminen vähentää henkilövahinkojen vaaraa.
- Vältä tahatonta käynnistämistä. Varmista, että kytkin on OFF-asennossa, ennen kuin liität laitteen virtalähteeseen ja/tai akkuun, nostat laitteen tai kannat sitä.** Sähkötyökalun kantaminen sormi virtakytkimellä lisää onnettomuusvaaraa.
- Irrota mahdollinen säätö- tai kiintoavain ennen kuin käynnistät sähkötyökalun.** Sähkötyökalun pyöriivään osaan kiinni jäänyt avain voi johtaa loukkaantumiseen.
- Älä kurkotta. Huolehdi siitä, että sinulla on koko ajan tukeva jalansija ja hyvä tasapaino.** Näin voit hallita sähkötyökalua paremmin odottamattomissa tilanteissa.
- Käytä tarkoitukseen soveltuvia vaatteita. Älä käytä löysiä vaatteita tai koruja. Pidä hiukset, vaatteet ja kädet loitolla liikkuvista osista.** Löysät vaatteet, korut tai pitkät hiukset voivat tarttua liikkuviin osiin.
- Jos työkalun voi liittää polynimuriin, tarkista, että liitos on tehty asianmukaisesti ja että laitteita käytetään oikealla tavalla.** Pölyn ottaminen talteen voi vähentää pölyn aiheuttamia vaaroja.
- Vaikka käyttäisit usein työkaluja ja sinulla olisi niistä hyvä tuntemus, älä jätä lukematta työkalun turvallisuusohjeita.** Huolimattomuus voi johtaa vakaviin henkilövahinkoihin jopa sekunnin murto-osassa.

#### 4. Sähkötyökalujen käyttö ja hoito

- Älä ylikuormita sähkötyökalua. Valitse käyttötarkoituksen kannalta oikea sähkötyökalu.** Sähkötyökalu toimii paremmin ja turvallisemmin, kun sitä käytetään sille suunniteltuun käyttötarkoitukseen.
- Älä käytä sähkötyökalua, jota ei voida käynnistää ja pysäyttää virtakytkimestä.** Jos sähkötyökalua ei voi hallita kytkimen avulla, se on vaarallinen ja se on korjattava.
- Irrota pistotulppa pistorasiasta ja/tai akku laitteesta ennen kuin suoritat säätöjä, vaihdat tarvikkeita tai siirät sähkötyökalun varastoitavaksi.**

Näin voit vähentää vahingossa käynnistymisen aiheuttaman henkilövahingon vaaraa.

- d. Säilytä sähkötyökalut poissa lasten ulottuvilta, kun niitä ei käytetä. Älä anna sähkötyökalua sellaisen henkilön käyttöön, joka ei tunne sitä tai joka ei ole tutustunut tähän käyttöohjeeseen. Sähkötyökalut ovat vaarallisia kouluttamattomien käyttäjien käsissä.
- e. Hoida sähkötyökalusi huolella. Tarkista, että liikkuvat osat toimivat moitteettomasti ja etteivät ne ole puristuksessa. Tarkista myös, ettei työkalussa ei ole murtuneita tai vahingoittuneita osia, jotka saattaisivat vaikuttaa haitallisesti sen toimintaan. Jos havaitset vaurioita, korjauta sähkötyökalu ennen niiden käyttämistä. Huonosti kunnossapidetyt sähkötyökalut aiheuttavat onnettomuuksia.
- f. Pidä leikkausterät terävinä ja puhtaina. Kunnossa pidettyjen leikkaavien teräviä reunoja sisältävien työkalut todennäköisyys jumiutua vähenee, ja niitä on helpompi hallita.
- g. Käytä sähkötyökaluja, tarvikkeita, vaihtoteriä yms. näiden ohjeiden mukaisesti. Ota tällöin huomioon työolosuhteet ja suoritettava toimenpide. Jos sähkötyökalua käytetään näiden ohjeiden vastaisesti, voi syntyä vaaratilanne.
- h. Pidä kahvat ja kädensijat kuivina ja puhtaina öljystä ja rasvasta. Liukkaat kahvat ja kädensijat estävät työkalun turvallisen käsittelyn ja hallinnan odottamattomissa tilanteissa.
6. Huolto
- a. Korjauta sähkötyökalu koulutetulla ja ammattitaitoisella henkilöllä ja hyväksy korjauksiin vain alkuperäisiä varaosia. Tämä varmistaa sähkötyökalun turvallisuuden.

## Sähkötyökalujen lisäturvavaroitukset



**Varoitus!** Lisäturvavaroitukset hiomakoneelle

- ◆ Pidä sähkötyökalua vain sen eristetyistä tarttumapinnoista, koska hiomapinta saattaa osua omaan johtoonsa. Työkalun kosketus jännitteisen johtimen kanssa voi tehdä myös työkalun paljaista metalliosista jännitteisiä ja aiheuttaa sähköiskun käyttäjälle.
- ◆ Käytä puristimia tai muuta käytännöllistä tapaa kiinnittää ja tukea työstökappale tukevalle alustalle. Työn pitäminen käsin tai vartaloa vasten on epävakaata ja saattaa johtaa kontrollin menetykseen.
- ◆ Varoitusta Hiontatyöstä syntyvä pöly voi aiheuttaa terveyshaittoja käyttäjälle ja mahdollisille sivullisille.

Käytä kasvosuojusta, joka on erityisesti tarkoitettu suojaamaan pölyltä ja höyryiltä, ja varmista, että kaikki työskentelyalueella olevat ja sinne tulevat henkilöt käyttävät suojavausteita.

- ◆ Poista pöly huolellisesti hiomisen jälkeen.
- ◆ Ole erityisen varovainen hioessasi liijyä mahdollisesti sisältäviä maalipintoja tai puu- ja metallipintoja, joista voi irrota myrkyllistä hiomapölyä:
  - ◆ Älä päästä lapsia tai raskaana olevia naisia työalueelle.
  - ◆ Älä syö, juo tai tupakoi työalueella.
  - ◆ Hävitä pöly ja muu jäte ympäristöstävällisesti.
- ◆ Tarkoitettu käyttö on kuvattu tässä käyttöohjeessa. Käytä työkalua ainoastaan sellaiseen työhön, johon se on tarkoitettu, ja käytä vain tässä käyttöohjeessa suositeltuja tarvikkeita ja lisälaitteita. Ohjeesta poikkeava käyttö voi aiheuttaa henkilö- ja/tai omaisuusvahinkoja.

## Muiden henkilöiden turvallisuus

- ◆ Tätä laitetta ei ole tarkoitettu sellaisten henkilöiden (mukaan lukien lapset) käytettäväksi, joiden fyysiset, aistilliset tai henkiset kyvyt tai kokemus ja tietämys ovat rajalliset, ellei heidän turvallisuudestaan vastuussa oleva henkilö valvo tai ohjaa heitä laitteen käytössä.
- ◆ Lapsia tulee valvoa, jotta he eivät leikkisi laitteella.

## Muut riskit.

Myös muut kuin turvavaroituksissa mainitut riskit ovat mahdollisia laitetta käytettäessä. Nämä riskit voivat liittyä muun muassa virheelliseen tai pitkäaikaiseen käyttöön. Tiettyjä jäännösriskejä ei voi välttää, vaikka noudatetaan kaikkia turvamääräyksiä ja käytät turvalaitteita. Näitä ovat:

- ◆ Pyörievien tai liikkuvien osien koskettamisen aiheuttamat vahingot.
- ◆ Osia, teriä tai lisävarusteita vaihdettaessa aiheutuneet vahingot.
- ◆ Työkalun pitkäaikaisen käytön aiheuttamat vahingot. Varmista, että pidät säännöllisesti taukoja laitteen pitkäaikaisen käytön aikana.
- ◆ Kuulon heikkeneminen.
- ◆ Työkalua käytettäessä (esimerkiksi puuta, erityisesti tammaa, pyökkiä ja MDF-levyjä, käsiteltäessä) syntyneen pölyn sisäänhengityksen aiheuttamat terveysriskit.

## Tärinä

Teknisissä tiedoissa ja vaatimustenmukaisuusvakuutuksessa ilmoitettu tärinäpäästöarvo on mitattu EN62841-standardin testausmenetelmän mukaisesti, ja arvoa voi käyttää työkalujen keskinäiseen vertailuun. Ilmoitettua tärinäpäästöarvoa voi käyttää myös allistumisen alustavaan arviointiin.

**Varoitus!** Sähkötyökalun käytön aikana mitattu todellinen tärinäpäästöarvo voi poiketa ilmoitetusta tärinäpäästöarvosta työkalun käyttötavan mukaan.

Tärinätaaso voi olla ilmoitettua tasoa suurempi. Kun tärinälle altistumista arvioidaan sen määrittämiseksi, mitä direktiivin 2002/44/EY mukaisia turvatoimenpiteitä vaaditaan sähkötyökaluja säännöllisesti käyttävien henkilöiden suojelemiseksi, tärinälle altistumisen arvioinnissa on otettava huomioon todelliset käyttöolosuhteet ja työkalun käyttötavat. Todellisen käytön lisäksi on kiinnitettävä huomiota myös siihen, milloin työkalu on sammutettuna tai se käy tyhjäkäynnillä.

### Työkalun tarrat

Työkaluun on merkitty päivämääräkoodi sekä seuraavat varoitusmerkinnät:



**Varoitus!** Käyttäjän on luettava käyttöohje vahinkojen välttämiseksi.

### Sähköturvallisuus



Tämä laite on kaksoiseristetty, joten erillistä maadoitusta ei tarvita. Tarkista aina, että verkkovirran jännite vastaa tyyppikilpeen merkittyä jännitettä.

- ◆ Jos virtajohto vahingoittuu, sen vaihtaminen on turvallisuussyistä jätettävä valmistajan tai valtuutetun BLACK+DECKER-huollon tehtäväksi.

### Yleiskuvaus

Tässä laitteessa on joitakin tai kaikki seuraavista ominaisuuksista.

1. Virtakytkin
2. Pölynpoistoliiitin
3. Runko
4. Kärkipidike
5. Hioma-alustan kärki
6. Sormiosaa\*
7. Ruuvi
8. Vinoneliön muotoinen kärki

Lisäksi tämä työkalu on varustettu joillakin tai kaikilla seuraavista lisätarvikkeista:

Lisävaruste	Suosittelut käyttötarkoitus ja käyttö
Karkea hiomapaperi	Maalin, lakan ja ruosteiden nopea poisto
Keskikarkea hiomapaperi	Maalin, lakan ja ruosteiden poisto
Hieno hiomapaperi	Pinnan tasoitus ja viimeistely
Erittäin hieno hiomapaperi	Hiominen pinnoitteiden välissä
Muotoiluhiannon vinkit	Nurkat ja vaikeapääsyiset paikat

1 OT kiillotus-/poistovilla	Metallien kiillotus, lakan poistaminen sekä laskin puhdistus
Harmaa vaahtoalusta	Kiillotusaineen levittäminen ja poistaminen
Punainen sileä alusta	Voimakas hankaus ja ruosteiden poistaminen
Harmaa hiomapaperi	Muovien kiillotus

\***Huomaa:** Sormiosaa (6) ei välttämättä kuulu kaikkiin laitteisiin. Kaikki lisävarusteet ovat saatavilla paikalliselta BLACK+DECKER-jälleenmyyjältä tai verkkosivustoltamme: [www.blackanddecker.co.uk](http://www.blackanddecker.co.uk)

### Asennus

**Varoitus!** Varmista ennen kokoamista, että virta on katkaistu ja että virtajohto on irti pistorasiasta.

### Hiomapaperien kiinnittäminen (kuvat A ja B)

- ◆ Irrota hiomapaperista (9) kaksi vinoneliön muotoista kärkeä (8).
- ◆ Pidä työkalua niin, että hioma-alusta osoittaa ylöspäin.
- ◆ Aseta hiomapaperi (9) hioma-alustalle. Varmista, että paperissa olevat reiät ovat kohdakkain alustan reikien kanssa.

Vinoneliön muotoiset kärjet (8) voi kääntää ja vaihtaa, kun ne ovat kuluneet.

- ◆ Kun kärjen etuosa on kulunut, irrota se paperista, käännä se ja paina takaisin hioma-alustaan.
- ◆ Kun koko kärki on kulunut, poista se hioma-alustasta ja vaihda se uuteen.
- ◆ Kiillotusvaahto ja -alustat (14) voidaan asentaa hiomapaperin tapaan.

### Hioma-alustan kärki (kuva D)

Kun hioma-alustan kärki (5) tai kärkipidike (4) on kulunut, sen voi kääntää tai vaihtaa. Varaosia on saatavissa BLACK+DECKERin edustajalta.

- ◆ Poista ruuvi (7).
- ◆ Käännä tai vaihda kulunut osa.
- ◆ Aseta kiinnitysruuvi paikalleen ja kiristä.

### Sormiosaa (kuva D)

Sormiosaa käytetään pienten yksityiskohtien hiomiseen.

- ◆ Poista ruuvi (7).
- ◆ Poista vinoneliön muotoisen kärjen pidike (4) hioma-alustasta.
- ◆ Aseta sormiosaa (6) hioma-alustalle.
- ◆ Aseta kiinnitysruuvi paikalleen ja kiristä.
- ◆ Aseta sopiva hiomapaperi (11) sormiosaan.

## Käyttö

**Varoitus!** Anna työkalun käydä omaan tahtiinsa. Älä ylikuormita sitä.

**Varoitus!** Älä peitä ilma-aukkoja työkalun käytön aikana. Pidä työkalua kuvan H mukaisesti. Varmista, että hioma-alusta koskettaa tasaisesti työkappaleeseen.

## Pölynimurin liittäminen (kuva F)

Työkalussa on sovittu sen liittämiseksi imuriin puun hiomisen aikana. Työkalu voidaan liittää imuriin seuraavasti:

**Varoitus!** Varmista, että kone on pois päältä ja että sitä ei ole liitetty virtalähteeseen.

- ◆ Asenna pölynpoistoliitin (2) työkalun takana olevaan sovittimeen.
- ◆ Kiinnitä asianmukaisen imurin letku liittimeen.

## Käynnistäminen ja sammuttaminen (kuva G)

**Varoitus!** Varmista, että työkalu on pois päältä ennen kuin kytket sen virtalähteeseen.

- ◆ Käynnistä työkalu painamalla virrankatkaisijan (1) 'I'-merkillä merkittyä osaa.
- ◆ Sammuta työkalu painamalla virrankatkaisijan (1) 'O'-merkillä merkittyä osaa.

## Lisävarusteet

Työkalun suorituskyky riippuu käytetystä lisävarusteesta. Korkealaatuiset BLACK+DECKER-lisävarusteet on suunniteltu parantamaan työkalun suorituskykyä. Käyttämällä näitä lisävarusteita saat työkalustasi parhaan hyödyn.

## Huolto

BLACK+DECKER-työkalu on suunniteltu toimimaan mahdollisimman pitkän aikaa mahdollisimman vähällä huollolla. Oikea käsittely ja säännöllinen puhdistus varmistavat laitteen ongelmattoman toiminnan.

Laturi ei tarvitse säännöllisen puhdistamisen lisäksi mitään muuta huoltoa.

**Varoitus!** Ennen huoltamista ja puhdistamista laite on irrotettava laturista.

- ◆ Puhdista laitteen ilma-aukot säännöllisesti pehmeällä harjalla tai kuvalla rievulla.
- ◆ Puhdista moottorin kotelo säännöllisesti kostealla liinalla. Älä käytä hankaavia tai liuotinpohjaisia puhdistusaineita.

## Varaverkkopistoke (vain Iso-Britannia ja Irlanti)

Jos uusi verkkopistoke täytyy asentaa:

- ◆ Hävitä vanha pistoke ympäristöystävällisesti.
- ◆ Liitä ruskea johto uuden pistokkeen jännitteeseen napaan.
- ◆ Liitä sininen johto tähtipisteliittimeen.

**Varoitus!** Maadoitusliittimeen ei tule tehdä liitoksia.

Noudata korkealaatuisten pistokkeiden mukana toimitettuja asennusohjeita. Suositeltu varoke: 5 A.

## Ympäristönsuojelu



Toimita tämä laite erilliskeräykseen. Tällä symbolilla merkityjä tuotteita ja akkuja ei saa hävittää tavallisen kotitalousjätteen mukana.

Tuotteissa ja akuissa on materiaaleja, jotka voidaan ottaa talteen tai kierrättää uudelleen käyttöä varten.

Kierrätä sähkölaitteet ja akut paikallisten määräyksien mukaan. Lisätietoa on saatavilla osoitteessa [www.2helpU.com](http://www.2helpU.com)

## Tekniset tiedot

BEW230		
Syöttöjännite	V <sub>AC</sub>	230
Ottoteho	W	55
Kuormittamaton nopeus	min <sup>-1</sup>	11 000
Paino	kg	0,8

Äänenpainetaso, määritetty EN 62841 -standardin mukaan:	
Äänenpaine (L <sub>PA</sub> )	65 dB(A), epävarmuus (K) 3 dB(A)
Äänitehotaso (L <sub>WA</sub> )	76 dB(A), epävarmuus (K) 3 dB(A)

Tärinän kokonaisarvot (vektorisumma) standardin EN 62841 mukaisesti:
(a) 12,5 m/s <sup>2</sup> , epävarmuus (K) 1,5 m/s <sup>2</sup>

## EY-vaatimustenmukaisuusvakuutus KONEDIREKTIIVI



BEW230 Hiomakone

Black & Decker ilmoittaa, että tuotteet, jotka on kuvattu kohdassa "Tekniset tiedot" ovat seuraavien direktiivien vaatimusten mukaisia:

2006/42/EY, EN62841-1:2015, EN62841-2-4:2014.

Nämä tuotteet täyttävät myös direktiivien 2014/30/EU ja 2011/65/EU vaatimukset. Lisätietoja saa ottamalla yhteyden Black & Deckeriin seuraavassa osoitteessa. Tiedot ovat myös käyttöohjeen takakannessa.

Allekirjoittanut vastaa teknisten tietojen kokoamisesta tehden tämän ilmoituksen Black & Deckerin puolesta.

Patrick Diepenbach  
General Manager, Benelux  
Stanley FatMax,  
Egide Walschaertsstraat 14-18  
2800 Mechelen, Belgium  
24.8.2018

## Takuu

Black & Decker on vakuuttanut tuotteidensa korkeasta laadusta ja tarjoaa kuluttajille 24 kuukauden takuun, joka astuu voimaan ostopäivänä. Takuu on lisäys kuluttajan laillisiin oikeuksiin eikä vaikuta niihin. Tämä takuu on voimassa kaikissa EU- ja ETA-maissa.

Edellytyksenä takuun saamiselle on, että vaade täyttää Black & Deckerin ehdot ja että ostaja toimittaa ostotositteen jälleenmyyjälle tai valtuutetulle huoltoliikkeelle.

Black & Deckerin kahden vuoden takuun ehdot ja lähimmän valtuutetun korjauspalvelun yhteystiedot ovat saatavilla osoitteessa [www.2helpU.com](http://www.2helpU.com) tai ottamalla yhteyttä paikalliseen Black & Deckerin toimipisteeseen tässä ohjekirjassa ilmoitettuihin osoitteisiin.

Käy verkkosivuillemme osoitteessa [www.blackanddecker.fi](http://www.blackanddecker.fi) ja rekisteröi uusi Black & Decker -tuotteesi saadaksesi tietoa uusista tuotteista ja erikoistarjouksista.

## Προβλεπόμενη χρήση

Το τριβείο σας BLACK+DECKER BEW230 έχει σχεδιαστεί για το υαλοχάρτισμα και το γυάλισμα ξύλου, μετάλλου, πλαστικών και βαμμένων επιφανειών. Αυτό το εργαλείο προορίζεται μόνο για καταναλωτική χρήση.

## Οδηγίες ασφαλείας

### Γενικές προειδοποιήσεις ασφαλείας για ηλεκτρικά εργαλεία



**Προειδοποίηση!** Διαβάστε όλες τις προειδοποιήσεις ασφαλείας, τις οδηγίες, τις απεικονίσεις και τις προδιαγραφές που συνοδεύουν αυτό το ηλεκτρικό εργαλείο. Η μη τήρηση των παρακάτω προειδοποιήσεων και οδηγιών μπορεί να προκαλέσει ηλεκτροπληξία, πυρκαγιά και/ή σοβαρές σωματικές βλάβες.

### Φυλάξτε όλες τις προειδοποιήσεις και τις οδηγίες για μελλοντική αναφορά.

Ο όρος "ηλεκτρικό εργαλείο" που χρησιμοποιείται σε όλες τις παρακάτω προειδοποιήσεις, αναφέρεται είτε σε εργαλείο που λειτουργεί με ρεύμα δικτύου (ρεύματος - με καλώδιο) είτε σε εργαλείο που λειτουργεί με μπαταρία (μπαταρίας - χωρίς καλώδιο).

1. **Ασφάλεια χώρου εργασίας**
  - α. Διατηρείτε το χώρο εργασίας καθαρό και καλά φωτισμένο. Οι αποκατοίητοι ή σκοτεινοί χώροι γίνονται αιτίες ατυχημάτων.
  - β. **Μη χρησιμοποιείτε ηλεκτρικά εργαλεία σε περιβάλλον όπου υπάρχει κίνδυνος έκρηξης, όπως με παρουσία εύφλεκτων υγρών, αερίων ή σκόνης.** Τα ηλεκτρικά εργαλεία παράγουν σπινθηρές που μπορεί να προκαλέσουν ανάφλεξη της σκόνης ή των αναθυμιάσεων.
  - γ. **Όταν χρησιμοποιείτε ηλεκτρικό εργαλείο, κρατάτε μακριά τα παιδιά και άλλα άτομα.** Παράνοντες που αποσπούν την προσοχή μπορεί να σας κάνουν να χάσετε τον έλεγχο.
2. **Ασφαλής χρήση ηλεκτρικού ρεύματος**
  - α. **Τα φως των ηλεκτρικών εργαλείων πρέπει να ταιριάζουν στην πρίζα. Σε καμία περίπτωση μην τροποποιήσετε το φως, με κανένα τρόπο. Μη χρησιμοποιείτε φως προσαρμογής με γειωμένα ηλεκτρικά εργαλεία.** Τα φως που δεν έχουν υποστεί τροποποιήσεις και οι κατάλληλες πρίζες μειώνουν τον κίνδυνο ηλεκτροπληξίας.
  - β. **Αποφεύγετε την επαφή του σώματός σας με γειωμένες επιφάνειες, όπως σωλήνες, calorifères, κουζίνες και ψυγεία.** Υπάρχει αυξημένος κίνδυνος ηλεκτροπληξίας αν το σώμα σας είναι γειωμένο.
  - γ. **Μην εκθέτετε τα ηλεκτρικά εργαλεία σε βροχή ή υγρασία.** Η διείσδυση νερού σε ένα ηλεκτρικό εργαλείο αυξάνει τον κίνδυνο ηλεκτροπληξίας.
  - δ. **Μην κακομεταχειρίζεστε το καλώδιο. Ποτέ μη χρησιμοποιείτε το καλώδιο για να μεταφέρετε το ηλεκτρικό εργαλείο, να το τραβήξετε ή να το αποσυνδέσετε από την πρίζα. Κρατάτε το καλώδιο μακριά από θερμότητα, λάδια, αιχμηρά άκρα ή κινούμενα μέρη.** Τα καλώδια που έχουν υποστεί ζημιά ή είναι μπερδεμένα αυξάνουν τον κίνδυνο ηλεκτροπληξίας.
  - ε. **Όταν χρησιμοποιείτε ηλεκτρικό εργαλείο σε εξωτερικούς χώρους, να χρησιμοποιείτε πάντοτε καλώδιο επέκτασης κατάλληλο για εργασία σε εξωτερικούς χώρους.** Η χρήση καλωδίου κατάλληλου για εργασία σε εξωτερικούς χώρους μειώνει τον κίνδυνο ηλεκτροπληξίας.



- στ. Εάν είναι αναπόφευκτη η χρήση ενός ηλεκτρικού εργαλείου σε συνθήκες υγρασίας, χρησιμοποιήστε μια διάταξη προστασίας από ρεύμα διαρροής (RCD). Η χρήση μιας διάταξης RCD μειώνει τον κίνδυνο ηλεκτροπληξίας.
3. Προσωπική ασφάλεια
- α. Όταν χρησιμοποιείτε ηλεκτρικό εργαλείο, να είστε σε εγρήγορση, να συγκεντρώνετε στην εργασία που κάνετε και να επιστρατεύετε την κοινή λογική. Μη χρησιμοποιείτε ηλεκτρικό εργαλείο όταν είστε κουρασμένος/ή ή υπό την επίρεια ναρκωτικών, οινοπνεύματος ή φαρμακευτικής αγωγής. Μια στιγμή απροσεξίας κατά τη χρήση ηλεκτρικών εργαλείων μπορεί να προκαλέσει σοβαρό τραυματισμό.
- β. Να χρησιμοποιείτε ατομικό εξοπλισμό προστασίας. Πάντα φοράτε προστασία ματιών. Ο εξοπλισμός προστασίας, όπως μάσκα κατά της σκόνης, αντιολισθητικά παπούτσια ασφαλείας, κράνος ή προστασία ακοής, όταν χρησιμοποιείται για τις κατάλληλες συνθήκες, θα μειώσει τους τραυματισμούς και τις σωματικές βλάβες.
- γ. Αποτρέψτε την ακούσια ενεργοποίηση. Βεβαιωθείτε ότι ο διακόπτης βρίσκεται στη θέση απενεργοποίησης, πριν συνδέσετε το εργαλείο στην πηγή ρεύματος και/ή τοποθετήσετε το πακέτο μπαταρίας, καθώς και πριν πάρετε στα χέρια σας ή μεταφέρετε το εργαλείο. Η μεταφορά ηλεκτρικών εργαλείων με το δάχτυλο πάνω στο διακόπτη ή η σύνδεση στο ρεύμα ηλεκτρικών εργαλείων με το διακόπτη στη θέση ενεργοποίησης, ενέχει κινδύνους ατυχημάτων.
- δ. Πριν θέσετε το ηλεκτρικό εργαλείο σε λειτουργία, αφαιρέστε τυχόν εργαλεία ή κλειδιά ρύθμισης. Εάν αφήσετε ένα εργαλείο ή κλειδί πάνω σε κάποιο περιστεροφόνο εξάρτημα του ηλεκτρικού εργαλείου, μπορεί να προκληθούν τραυματισμοί.
- ε. Μην τεντώνετε υπερβολικά. Διατηρείτε πάντα σταθερή στήριξη στα πόδια σας και καλή ισορροπία. Έτσι μπορείτε να έχετε καλύτερο έλεγχο του ηλεκτρικού εργαλείου σε μη αναμενόμενες καταστάσεις.
- στ. Φοράτε κατάλληλη ενδυμασία εργασίας. Μη φοράτε φορδιά ρούχα ούτε κοσμήματα. Κρατάτε τα μαλλιά, τα ρούχα και τα γάντια σας μακριά από κινούμενα μέρη. Τα φορδιά ρούχα, τα κοσμήματα και τα μακριά μαλλιά μπορούν να πιαστούν σε κινούμενα μέρη.
- ζ. Αν παρέχονται διατάξεις για τη σύνδεση συστημάτων απομάκρυνσης και συλλογής της σκόνης, βεβαιωθείτε ότι αυτές είναι συνδεδεμένες και χρησιμοποιούνται σωστά. Η χρήση διατάξεων συλλογής της σκόνης μπορεί να μειώσει τους κινδύνους που προέρχονται από τη σκόνη.
- η. Μην αφήνετε την εξοικείωση που έχετε αποκτήσει από τη συχνή χρήση εργαλείων να σας επιτρέψει να εφησυχάσετε ώστε να αγνοείτε τις αρχές ασφαλούς χρήσης των εργαλείων. Μια απρόσεκτη ενέργεια μπορεί να προκαλέσει βαρύ τραυματισμό μέσα σε κλάσματα του δευτερολέπτου.
4. Χρήση και φροντίδα ηλεκτρικών εργαλείων
- α. Μην υπερφορτώνετε το ηλεκτρικό εργαλείο. Χρησιμοποιείτε το σωστό ηλεκτρικό εργαλείο για την εφαρμογή σας. Το σωστό ηλεκτρικό εργαλείο θα εκτελέσει την εργασία καλύτερα και ασφαλέστερα, με την ένταση χρήσης για την οποία σχεδιάστηκε.
- β. Μη χρησιμοποιήσετε το ηλεκτρικό εργαλείο αν ο διακόπτης του δεν μπορεί να το ενεργοποιεί και απενεργοποιεί.

Ένα ηλεκτρικό εργαλείο του οποίου η λειτουργία δεν μπορεί να ελεγχθεί με το διακόπτη είναι επικίνδυνο και πρέπει να επισκευαστεί.

- γ. Απουσνδέστε το φως από την πηγή ρεύματος και/ή το πακέτο μπαταρίας από το ηλεκτρικό εργαλείο, πριν διεξαγάγετε οποιαδήποτε ρύθμιση, αλλαγή αξεσουάρ ή όταν πρόκειται να αποθηκεύσετε το ηλεκτρικό εργαλείο. Τέτοια προληπτικά μέτρα ασφαλείας μειώνουν το κίνδυνο αβέλτηρης εκκίνησης του ηλεκτρικού εργαλείου.
- δ. Να φυλάσσετε μακριά από παιδιά τα ηλεκτρικά εργαλεία που δεν χρησιμοποιείτε. Μην αφήνετε να χρησιμοποιήσουν ηλεκτρικό εργαλείο άτομα που δεν είναι εξοικειωμένα με αυτό ή άτομα που δεν έχουν διαβάσει αυτές τις οδηγίες χρήσης. Τα ηλεκτρικά εργαλεία είναι επικίνδυνα στα χέρια μη εκπαιδευμένων χρηστών.
- ε. Να συντηρείτε τα ηλεκτρικά εργαλεία. Ελέγχετε για προβλήματα ευθυγράμμισης ή για μάγκωμα των κινούμενων εξαρτημάτων, θραύση εξαρτημάτων, καθώς και για οποιοδήποτε άλλο πρόβλημα μπορεί να επηρεάσει τη λειτουργία των ηλεκτρικών εργαλείων. Αν το ηλεκτρικό εργαλείο έχει υποστεί ζημιά, φροντίστε να επισκευαστεί πριν το χρησιμοποιήσετε. Η ανεπαρκής συντήρηση των ηλεκτρικών εργαλείων αποτελεί αιτία πολλών ατυχημάτων.
- στ. Διατηρείτε τα κοπτικά εργαλεία κοφτερά και καθαρά. Τα κοπτικά εργαλεία με κοφτερές κοπτικές αιχμές που συντηρούνται σωστά έχουν λιγότερες πιθανότητες να μαγκώσουν και ελέγχονται ευκολότερα.
- ζ. Να χρησιμοποιείτε το ηλεκτρικό εργαλείο, τα αξεσουάρ και τις μύτες του εργαλείου κλπ. σύμφωνα με τις παρούσες οδηγίες, λαμβάνοντας υπόψη σας τις συνθήκες εργασίας και την εργασία που θέλετε να εκτελέσετε. Η χρήση του ηλεκτρικού εργαλείου για εργασίες διαφορετικές από τις προβλεπόμενες θα μπορούσε να οδηγήσει σε επικίνδυνη κατάσταση.
- η. Διατηρείτε τις λαβές και τις επιφάνειες κρατήματος στεγνές, καθαρές και απαλλαγμένες από λάδι και γράσο. Οι ολισθηρές λαβές και επιφάνειες κρατήματος δεν επιτρέπουν τον ασφαλή χειρισμό και έλεγχο του εργαλείου σε μη αναμενόμενες καταστάσεις.

## 6. Σέρβις

- α. Αναθέστε το σέρβις του ηλεκτρικού σας εργαλείου σε εξειδικευμένο τεχνικό επισκευών που χρησιμοποιεί μόνο γνήσια ανταλλακτικά. Έτσι θα εξασφαλίσετε τη διατήρηση της ασφάλειας του ηλεκτρικού εργαλείου.

## Πρόσθετες προειδοποιήσεις ασφαλείας για ηλεκτρικά εργαλεία



**Προειδοποίηση!** Πρόσθετες προειδοποιήσεις ασφαλείας για τριβία

- ◆ Κρατάτε το ηλεκτρικό εργαλείο από μονωμένες επιφάνειες κρατήματος, επειδή η επιφάνεια γυαλοχαρτίσματος μπορεί να έρθει σε επαφή με το ίδιο του το καλώδιο. Η κοπή ενός ηλεκτροφόρου καλωδίου μπορεί να καταστήσει και τα εκτεθειμένα μεταλλικά μέρη του ηλεκτρικού εργαλείου ηλεκτροφόρα και να προκαλέσει ηλεκτροπληξία στο χειριστή του.
- ◆ Χρησιμοποιείτε σφικτήρες ή άλλο πρακτικό μέσο για να στερεώνετε και να σπρώχνετε το τεμάχιο εργασίας σε σταθερό υπόβαθρο. Αν κρατάτε το τεμάχιο εργασίας με το χέρι σας ή κόντρα στο σώμα σας, αυτό δεν είναι σταθερό και μπορεί να προκληθεί απώλεια ελέγχου.

- ◆ **Προειδοποίηση!** Η επαφή με τη σκόνη που δημιουργούν οι εφαρμογές γυαλοχαρτίματος ή η εισπνοή της σκόνης αυτής μπορεί να ενέχει κίνδυνο για την υγεία του χειριστή και των ατόμων που ενδεχομένως παρευρίσκονται. Φορέστε μάσκα σκόνης ειδικά σχεδιασμένη για προστασία από τη σκόνη και τις αναθυμιάσεις και βεβαιωθείτε ότι τα άτομα που βρίσκονται ή εισέρχονται στο χώρο εργασίας είναι επίσης προστατευμένα.
- ◆ **Μετά τη λείανση, καθαρίστε καλά τη σκόνη.**
- ◆ **Να προσέχετε ιδιαίτερα κατά τη λείανση χρωμάτων, τα οποία ενδέχεται να έχουν ως βάση το μολύβδο ή κατά τη λείανση ορισμένων ειδών ξύλου και μετάλλου, τα οποία ενδέχεται να παράγουν τοξική σκόνη:**
  - ◆ Μην αφήνετε παιδιά ή εγκύους να εισέρχονται στην περιοχή εργασίας.
  - ◆ Μην τρώτε, πίνετε ή καπνίζετε στο χώρο εργασίας.
  - ◆ Συγκεντρώστε όλη τη σκόνη και τα άλλα υπολείμματα και απορρίψτε τα με τον κατάλληλο τρόπο.
- ◆ **Η προβλεπόμενη χρήση περιγράφεται στο παρόν εγχειρίδιο οδηγιών.** Η χρήση οποιουδήποτε αξεσουάρ ή προσαρτήματος ή η εκτέλεση με αυτό το εργαλείο οποιασδήποτε εργασίας διαφορετικής από αυτές που συνιστώνται στο παρόν εγχειρίδιο οδηγιών ενδέχεται να εγκυμονεί κίνδυνο σωματικής βλάβης και/ή υλικών ζημιών.

### Ασφάλεια τρίτων

- ◆ Η συσκευή αυτή δεν προορίζεται για χρήση από άτομα (περιλαμβανομένων παιδιών) με μειωμένες σωματικές, αισθητηριακές ή πνευματικές ικανότητες, ή με έλλειψη εμπειρίας και γνώσης, εκτός αν σε αυτά έχει παρασχεθεί από άτομο υπεύθυνο για την ασφάλειά τους επίβλεψη ή εκπαίδευση σχετικά με τη χρήση της συσκευής.
- ◆ Τα παιδιά θα πρέπει να βρίσκονται υπό επίβλεψη ώστε να διασφαλίζεται ότι δεν παίζουν με τη συσκευή.

### Υπολειπόμενοι κίνδυνοι.

Κατά τη χρήση του εργαλείου μπορεί να δημιουργηθούν πρόσθετοι υπολειπόμενοι κίνδυνοι, οι οποίοι ενδέχεται να μη συμπεριλαμβάνονται στις προειδοποιήσεις ασφαλείας που εσωκλείονται. Αυτοί οι κίνδυνοι μπορεί να προκληθούν από κακή χρήση, παρατεταμένη χρήση κλπ. Παρά την εφαρμογή των σχετικών κανονισμών ασφαλείας και τη χρήση διατάξεων ασφαλείας, ορισμένοι υπολειπόμενοι κίνδυνοι δεν είναι δυνατό να αποφευχθούν. Σε αυτούς περιλαμβάνονται:

- ◆ Τραυματισμοί από επαφή με οποιαδήποτε περιστρεφόμενα/κινούμενα μέρη.
- ◆ Τραυματισμοί κατά την αλλαγή οποιωνδήποτε εξαρτημάτων, λεπίδων ή αξεσουάρ.
- ◆ Σωματικές βλάβες από παρατεταμένη χρήση εργαλείου. Όταν χρησιμοποιείτε οποιοδήποτε εργαλείο για παρατεταμένα χρονικά διαστήματα, μην παραλείπετε με κανένα τρόπο να κάνετε τακτικά διαλείμματα.
- ◆ Βλάβη της ακοής.
- ◆ Κίνδυνοι στην υγεία που προκαλούνται από την εισπνοή σκόνης όταν χρησιμοποιείτε το εργαλείο (παράδειγμα: όταν επεξεργάζεστε ξύλο, ειδικά δρυ, οξιά και MDF).

### Κραδασμοί

Η δηλωμένη τιμή εκπομπής κραδασμών που αναφέρεται στα τεχνικά χαρακτηριστικά και τη δήλωση συμμόρφωσης έχει μετρηθεί σύμφωνα με τυποποιημένη μέθοδο δοκιμής που προβλέπεται από το πρότυπο EN62841 και μπορεί να χρησιμοποιηθεί για τη σύγκριση ενός εργαλείου με ένα άλλο. Η δηλωμένη τιμή εκπομπής κραδασμών μπορεί επίσης να χρησιμοποιηθεί σε έναν προκαταρκτικό προσδιορισμό της έκθεσης σε κραδασμούς.

**Προειδοποίηση!** Στην πράξη, η τιμή εκπομπής κραδασμών κατά την χρήση του ηλεκτρικού εργαλείου μπορεί να διαφέρει από την τιμή που δηλώθηκε, ανάλογα με τον τρόπο που χρησιμοποιείται το εργαλείο. Το επίπεδο κραδασμών μπορεί να αυξηθεί πάνω από το επίπεδο που έχει δηλωθεί.

Κατά τον προσδιορισμό της έκθεσης σε κραδασμούς για τον καθορισμό των απαιτούμενων μέτρων ασφαλείας σύμφωνα με την οδηγία 2002/44/ΕΚ για την προστασία προσώπων που χρησιμοποιούν συχνά ηλεκτρικά εργαλεία στην εργασία τους, μια προσεγγιστική εκτίμηση της έκθεσης σε κραδασμούς πρέπει να λαμβάνει υπόψη τις πραγματικές συνθήκες χρήσης και τον τρόπο χρήσης του εργαλείου, συμπεριλαμβανομένων και όλων των επιμέρους τμημάτων του κύκλου εργασίας, όπως τα χρονικά διαστήματα που το εργαλείο ήταν εκτός λειτουργίας και τα διαστήματα λειτουργίας χωρίς φορτίο, επιπλέον του χρόνου πίεσης της σκανδάλης.

### Ετικέτες πάνω στο εργαλείο

Το εργαλείο φέρει τα παρακάτω προειδοποιητικά σύμβολα μαζί με τον κωδικό ημερομηνίας:



**Προειδοποίηση!** Για να μειωθεί ο κίνδυνος τραυματισμού, ο χρήστης πρέπει να διαβάσει το εγχειρίδιο οδηγιών.

### Ασφαλής χρήση ηλεκτρικού ρεύματος



Αυτό το εργαλείο φέρει διπλή μόνωση. Επομένως, δεν απαιτείται καλώδιο γείωσης. Ελέγχετε πάντα ότι η παροχή ρεύματος αντιστοιχεί στην τάση που αναφέρεται στην πινακίδα στοιχείων.

- ◆ Αν το καλώδιο ρεύματος έχει υποστεί ζημιά, η αντικατάστασή του πρέπει να γίνει από τον κατασκευαστή ή από ένα εξουσιοδοτημένο κέντρο επισκευών της BLACK+DECKER, ώστε να μην αποτελέσει κίνδυνο.

### Χαρακτηριστικά

Αυτό το εργαλείο διαθέτει μερικά από ή όλα τα παρακάτω χαρακτηριστικά.

1. Διακόπτης ενεργοποίησης/ απενεργοποίησης (on/off)
2. Σύστημα εξαναγκαστικής σκόνης.
3. Βάση
4. Εξάρτημα συγκράτησης μύτης
5. Μύτη βάσης γυαλοχαρτίματος
6. Εξάρτημα δακτύλου\*
7. Βίδα
8. Μύτη λείανσης σχήματος ρόμβου

Επιπλέον, η συσκευή αυτή είναι εφοδιασμένη με μερικά ή όλα από τα παρακάτω αξεσουάρ (εικ. Α):

Αξεσουάρ	Συνιστώμενη εφαρμογή και χρήση
Χοντρό γυαλόχαρτο	Γρήγορη αφαίρεση βαφής, βερνικιού και σκουριάς
Μέτριο γυαλόχαρτο	Αφαίρεση βαφής, βερνικιού και σκουριάς
Ψιλό γυαλόχαρτο	Επιφανειακή ομοιόμορφη επεξεργασία και φινιρίσμα
Πολύ ψιλό γυαλόχαρτο	Γυαλόχαρτισμα μεταξύ στρώσεων
Μύτες λείανσης ακριβείας	Γωνίες και δυσπρόσιτα μέρη
1 ΟΤ σύρμα γυαλισματος/αφαίρεσης βαφής	Γυάλισμα μετάλλων, αφαίρεση βερνικιού και καθαρισμός γυαλιού
Γκριζό πέλμα αφρώδους υλικού	Εφαρμογή και αφαίρεση στίλβωσης
Κόκκινο μη υφαντό πέλμα	Βαρέος τύπου απόξεση και αφαίρεση σκουριάς
Γκριζό λειαντικό χαρτί	Γυάλισμα πλαστικών

- ◆ Τοποθετήστε και σφίξτε τη βίδα συγκράτησης.

### Εξάρτημα δακτύλου (εικ. D)

Το εξάρτημα δακτύλου χρησιμοποιείται για λείανση μεγάλης ακριβείας.

- ◆ Αφαιρέστε τη βίδα (7).
- ◆ Αφαιρέστε την υποδοχή (4) της μύτες σχήματος ρόμβου από τη βάση λείανσης.
- ◆ Τοποθετήστε το εξάρτημα δακτύλου (6) στη βάση λείανσης.
- ◆ Τοποθετήστε και σφίξτε τη βίδα συγκράτησης.
- ◆ Τοποθετήστε το κατάλληλο φύλλο γυαλόχαρτου (11) στο εξάρτημα δακτύλου.

### Χρήση

**Προειδοποίηση!** Αφήστε το εργαλείο να λειτουργήσει με το δικό του ρυθμό. Μην το υπερφορτώνετε.

**Προειδοποίηση!** Μην καλύπτετε τις εγχοπές αερισμού όταν χρησιμοποιείτε το εργαλείο. Κρατάτε το εργαλείο όπως υποδεικνύεται στην εικ. Η βεβαιωθείτε ότι η βάση γυαλοχαρτίσματος είναι σε πλήρη επαφή με το αντικείμενο εργασίας.

### Σύνδεση ηλεκτρικής σκούπας (εικ. F)

Το εργαλείο έχει έναν προσαρμογέα για να το συνδέσετε σε ηλεκτρική σκούπα όταν γυαλοχαρτίζετε ξύλο. Για να συνδέσετε το εργαλείο σε ηλεκτρική σκούπα, προχωρήστε ως εξής:

**Προειδοποίηση!** Βεβαιωθείτε ότι το εργαλείο είναι απενεργοποιημένο και αποσυνδεδεμένο από την πρίζα.

- ◆ Τοποθετήστε τον σύνδεσμο εξαγωγής σκόνης (2) πάνω στον προσαρμογέα στην πίσω πλευρά του εργαλείου.
- ◆ Συνδέστε το λάστιχο μιας κατάλληλης ηλεκτρικής σκούπας στο σύνδεσμο.

### Ενεργοποίηση και απενεργοποίηση (εικ. G)

**Προειδοποίηση!** Πριν συνδέσετε το εργαλείο στην παροχή ρεύματος, βεβαιωθείτε ότι είναι απενεργοποιημένο.

- ◆ Για να θέσετε σε λειτουργία το εργαλείο, πατήστε το τμήμα του διακόπτη on/off (1) με τη σήμανση 'I'.
- ◆ Για να θέσετε το εργαλείο εκτός λειτουργίας, πατήστε το τμήμα του διακόπτη on/off (1) με τη σήμανση 'O'.

### Αξεσουάρ

Η απόδοση του εργαλείου σας εξαρτάται από το αξεσουάρ που χρησιμοποιείτε. Τα αξεσουάρ της BLACK+DECKER έχουν κατασκευαστεί μηχανικά με βάση πρότυπα υψηλής ποιότητας και είναι σχεδιασμένα να ενισχύουν την απόδοση του εργαλείου σας. Χρησιμοποιώντας αυτά τα αξεσουάρ, θα εξασφαλίσετε την καλύτερη δυνατή απόδοση του εργαλείου σας.

### Συντήρηση

Το εργαλείο BLACK+DECKER έχει σχεδιαστεί έτσι ώστε να λειτουργεί για μεγάλο χρονικό διάστημα με την ελάχιστη δυνατή συντήρηση. Η συνεχής ικανοποιητική λειτουργία εξαρτάται από τη σωστή φροντίδα και τον τακτικό καθαρισμό του εργαλείου.

Ο φορητός σας δεν χρειάζεται καμία άλλη συντήρηση πέραν του τακτικού καθαρισμού.

**Προειδοποίηση!** Πριν πραγματοποιήσετε οποιαδήποτε συντήρηση ή καθαρισμό στο εργαλείο, αποσυνδέστε τον φορητό.

\***Παρακαλούμε σημειώστε:** Το εξάρτημα δακτύλου (6) ενδέχεται να μην περιλαμβάνεται σε όλες τις μονάδες. Όλα τα αξεσουάρ είναι διαθέσιμα από την αντιπροσωπεία σας της BLACK+DECKER ή μέσω του ιστοτόπου μας: [www.blackanddecker.co.uk](http://www.blackanddecker.co.uk)

### Συναρμολόγηση

**Προειδοποίηση!** Πριν από τη συναρμολόγηση, βεβαιωθείτε ότι το εργαλείο είναι απενεργοποιημένο και ότι το φως δεν είναι συνδεδεμένο στην πρίζα.

#### Τοποθέτηση φύλλων γυαλοχαρτίσματος (εικ. A & B)

- ◆ Αποσυνδέστε τις δύο μύτες λείανσης σχήματος ρόμβου (8) από το φύλλο γυαλόχαρτου (9).
  - ◆ Κρατήστε το εργαλείο με τη βάση λείανσης στραμμένη προς τα πάνω.
  - ◆ Τοποθετήστε το φύλλο γυαλόχαρτου (9) στη βάση λείανσης, φροντίζοντας ώστε οι οπές του φύλλου να ευθυγραμμιστούν με τις αντίστοιχες της βάσης.
- Όταν φθαρούν οι μύτες λείανσης σχήματος ρόμβου (8), μπορείτε να τις αντιστρέψετε ή να τις αντικαταστήσετε.

- ◆ Όταν φθαρεί η εμπρός πλευρά της μύτες, αποσυνδέστε την από το φύλλο, αντιστρέψτε την και πιέστε την ξανά πάνω στη βάση λείανσης.
- ◆ Όταν πλέον έχει φθαρεί ολόκληρη η μύτη, αφαιρέστε την από τη βάση λείανσης και αντικαταστήστε την με μία καινούργια.
- ◆ Το αφρώδες υλικό και τα υποθέματα γυαλισματος (14) μπορούν να τοποθετηθούν όπως και τα φύλλα γυαλόχαρτου.

#### Μύτη της βάσης γυαλοχαρτίσματος (εικ. D)

Όταν φθαρεί η μύτη (5) της βάσης γυαλοχαρτίσματος ή το εξάρτημα συγκράτησης μύτες (4), μπορείτε να αντιστρέψετε ή να αντικαταστήσετε με νέο εξάρτημα. Ανταλλακτικά μπορείτε να προμηθευτείτε από τον αντιπρόσωπο της BLACK+DECKER.

- ◆ Αφαιρέστε τη βίδα (7).
- ◆ Αντιστρέψτε ή αντικαταστήστε το φθαρμένο εξάρτημα.

- ◆ Καθαρίζετε τακτικά τις εγκοπές εξερισμού του εργαλείου με μια μαλακή βούρτσα ή με ένα στεγνό πανί.
- ◆ Να καθαρίζετε τακτικά το περιβλήμα του μοτέρ με ένα ελαφρά υγρό πανί. Μη χρησιμοποιείτε καθαριστικά που χαράζουν ή περιέχουν διαλύτες.

## Αντικατάσταση του φιν ρευματοληψίας (Hv. Βασίλειο & Ιρλανδία μόνο)

Αν χρειάζεται να τοποθετηθεί νέο φιν ρευματοληψίας:

- ◆ Απορρίψτε με ασφαλή τρόπο το παλιό φιν.
- ◆ Συνδέστε τον καφέ αγωγό στον ηλεκτροφόρο ακροδέκτη (φάση) του νέου φιν.
- ◆ Συνδέστε τον μπλε αγωγό στον ουδέτερο ακροδέκτη.

**Προειδοποίηση!** Δεν πρέπει να γίνει καμία σύνδεση στον ακροδέκτη γείωσης. Ακολουθήστε τις οδηγίες συναρμολόγησης που συνοδεύουν τα καλής ποιότητας φιν. Συνιστώμενη ασφάλεια: 5 A.

## Προστασία του περιβάλλοντος



Χωριστή συλλογή. Τα προϊόντα και οι μπαταρίες που επισημαίνονται με αυτό το σύμβολο δεν πρέπει να απορρίπτονται μαζί με τα κανονικά οικιακά απορρίμματα.

Τα προϊόντα και οι μπαταρίες περιέχουν υλικά που μπορούν να ανακτηθούν ή να ανακυκλωθούν ώστε να μειωθούν οι ανάγκες για πρώτες ύλες.

Παρακαλούμε να ανακυκλώσετε τα ηλεκτρικά προϊόντα και τις μπαταρίες σύμφωνα με τους τοπικούς κανονισμούς. Περισσότερες πληροφορίες διατίθενται στον ιστότοπο [www.2helpU.com](http://www.2helpU.com)

## Τεχνικά δεδομένα

BEW230		
Τάση εισόδου	$V_{ac}$	230
Κατανάλωση ισχύος	W	55
Ταχύτητα χωρίς φορτίο	$\text{min}^{-1}$	11.000
Βάρος	kg	0.8

### Στάθμη ηχητικής πίεσης σύμφωνα με το EN 62841:

Ηχητική πίεση ( $L_{pA}$ ) 65 dB(A), αβεβαιότητα (K) 3 dB(A)

Ηχητική ισχύς ( $L_{WA}$ ) 76 dB(A), αβεβαιότητα (K) 3 dB(A)

### Συνολικές τιμές κραδασμών (διανυσματικό άθροισμα τριών αξόνων) κατά το EN 62841:

(a) 12,5  $\text{m/s}^2$ , αβεβαιότητα (K) 1,5  $\text{m/s}^2$

## Δήλωση συμμόρφωσης ΕΚ

ΟΔΗΓΙΑ ΠΕΡΙ ΜΗΧΑΝΗΜΑΤΩΝ



BEW230 - Τριβείο

Η Black & Decker δηλώνει ότι τα προϊόντα αυτά που περιγράφονται στα "τεχνικά χαρακτηριστικά" συμμορφώνονται με τα ακόλουθα:

2006/42/EK, EN62841-1:2015, EN62841-2-4:2014.

Αυτά τα προϊόντα συμμορφώνονται και με την Οδηγία 2014/30/EE και 2011/65/EE. Για περισσότερες πληροφορίες, επικοινωνήστε με την Black & Decker στην παρακάτω διεύθυνση ή ανατρέξτε στο πίσω μέρος του εγχειριδίου.

Ο κάτωθι υπογεγραμμένος είναι υπεύθυνος για την κατάρτιση του τεχνικού φακέλου και δηλώνει τα παρόντα εκ μέρους της Black & Decker.

*Patrick Diepenbach*

Patrick Diepenbach  
General Manager, Benelux  
Stanley FatMax,  
Egide Walschaertsstraat 14-18  
2800 Mechelen, Belgium  
24/08/2018

## Εγγύηση

Η Black & Decker είναι σίγουρη για την ποιότητα των προϊόντων της και προσφέρει στους καταναλωτές εγγύηση 24 μηνών από την ημερομηνία αγοράς. Αυτή η εγγύηση συμπληρώνει και με κανένα τρόπο δεν παραβάλλεται τα νόμιμα δικαιώματά σας. Η εγγύηση ισχύει εντός της επικράτειας των χωρών μελών της Ευρωπαϊκής Ένωσης και της Ευρωπαϊκής Ζώνης Ελεύθερων Συναλλαγών.

Για να υποβάλτε αξίωση βάσει της εγγύησης, η αξίωση θα πρέπει να είναι σύμφωνη με τους Όρους και προϋποθέσεις της Black & Decker και θα χρειαστεί να υποβάλτε απόδειξη αγοράς στον πωλητή ή σε εξουσιοδοτημένο αντιπρόσωπο επισκευών.

Μπορείτε να αποκτήσετε τους Όρους και προϋποθέσεις της εγγύησης 2 ετών της Black & Decker και να μάθετε την τοποθεσία του πλησιέστερου εξουσιοδοτημένου αντιπροσώπου επισκευών στο Internet στο [www.2helpU.com](http://www.2helpU.com), ή επικοινωνώντας με το τοπικό σας γραφείο Black & Decker στη διεύθυνση που υποδεικνύεται στο παρόν εγχειρίδιο.

Παρακαλούμε επισκεφθείτε την ιστοσελίδα μας [www.blackanddecker.gr](http://www.blackanddecker.gr) για να καταχωρίσετε το νέο σας προϊόν Black & Decker και για να ενημερώνεστε για τα νέα προϊόντα και τις ειδικές προσφορές.

## Predvidena uporaba

Brusilnik BEW230 BLACK+DECKER je namenjen brušenju in poliranju lesenih, kovinskih, plastičnih in barvanih površin. To orodje je namenjeno izključno za domačo uporabo.

## Navodila za varno uporabo

### Splošna opozorila za varno uporabo električnega orodja



**Opozorilo!** Preberite vsa varnostna opozorila, navodila, slikovne prikaze in specifikacije, priložene električnemu orodju. Posledice neupoštevanja varnostnih opozoril so lahko električni udar, požar in/ali hude telesne poškodbe.

### Vsa opozorila in navodila shranite za poznejšo uporabo.

Izraz "električno orodje" v vseh spodaj navedenih opozorilih se nanaša na električno napajana električna orodja (napajana prek kabla) ali na električna orodja z akumulatorjem (brez kabla).

#### 1. Varnost na delovnem mestu

- Poskrbite, da bo delovno mesto vedno čisto in dobro osvetljeno.** V natrpanih ali temnih prostorih so nezgode pogostejše.
- Električnega orodja ne uporabljajte v prostorih, kjer obstaja nevarnost eksplozije, kot so prostori z vnetljivimi tekočinami, plini ali prahom.** Pri uporabi električnega orodja nastajajo iskre, ki lahko zanetijo prah ali hlape.
- Otrokom in drugim osebam ne dovolite pristopa med uporabo električnega orodja.** Če vas motijo, lahko povzročijo, da izgubite nadzor nad orodjem.

#### 2. Električna varnost

- Vtiči električnega orodja morajo ustrezati vtičnicam. Nikoli na noben način ne predelujte vtiča. Uporaba adapterskih vtičev v kombinaciji z zaščitenim (ozemljenim) električnim orodjem ni dovoljena.** Nespremenjeni vtiči in njim prilagajajo se vtičnice zmanjšujejo nevarnost električnega udara.
- Izogibajte se stika z ozemljenimi površinami, kot so cevi, radiatorji, električne peči in hladilniki.** Če je vaše telo ozemljeno, je nevarnost električnega udara večja.
- Električnega orodja ne izpostavljajte dežju in ga ne uporabljajte v vlažnem ali mokrem okolju.** Vdor vode v električno orodje poveča tveganje električnega udara.
- Ne poškodujte električnega kabla. Kabla nikoli ne uporabljajte za prenašanje, vleko ali izklapljanje vtiča iz stenske vtičnice. Kabel zavarujte pred vročino, oljem, ostrimi robovi in premikajočimi se deli orodja.** Prepletani ali poškodovani kabli povečujejo tveganje za električni udar.

- Ko uporabljate električno orodje na prostem, uporabite kabelski podaljšek, ki je namenjen uporabi na prostem.** Uporaba ustreznega podaljška za uporabo na prostem zmanjšuje možnost električnega udara.
- Če se uporabi električnega stroja v vlažnem okolju ni mogoče izogniti, uporabite stikalo na diferenčni tok (RCD).** Uporaba naprave na diferenčni tok (RCD) zmanjšuje tveganje za električni udar.

#### 3. Osebna varnost

- Bodite pozorni, pazite, kaj delate in uporabljajte zdravo pamet, ko uporabljate električno orodje. Električnega orodja ne uporabljajte, če ste utrujeni, pod vplivom mamil, alkohola ali zdravil.** Le trenutek nepozornosti lahko privede do težkih telesnih poškodb.
- Uporabite osebno zaščitno opremo. Vedno nosite zaščitna očala. Zaščitna oprema, kot so zaščitne maske proti prahu, nederseča obutev, čelada ali zaščitna sluha ob uporabi zmanjšujejo nevarnost telesnih poškodb.**
- Preprečite nenamerni vklop. Pred priklonem na vir napajanja, dviganjem ali prenašanjem električnega orodja zagotovite, da bo stikalo na izklopljenem položaju.** Nošenje električnega orodja s prstom na stikalu za vklop ali priključitev električnega orodja na električno omrežje z vklopljenim stikalom povečuje možnost nesreč.
- Pred vklopom orodja odstranite z orodja ključ za nastavljanje ali druge ključe.** Orodje ali ključ, ki ste ga pustili na vrtljivem sestavnem delu, lahko povzročijo telesne poškodbe.
- Ne pretiravajte. Poskrbite za varno stojišče in ravnotežje.** To omogoča boljši nadzor nad električnim orodjem v nepričakovanih situacijah.
- Nosite primerno delovno obleko. Ne nosite ohlapnih oblačil ali nakita. Z lasmi, obleko in rokavicami se ne približujte premikajočim se delom orodja.** Ohlapna obleka, nakit ali dolgi lasje se lahko ujamejo v premikajoče se dele orodja.
- Če so na voljo priključne naprave za sesanje in zbiranje prahu zagotovite, da bodo priklopljene in jih boste uporabljali pravilno.** Uporaba naprav za odsesavanje prahu zmanjša nevarnosti, ki jih povzročajo prah.
- Kljub temu da dobro poznate orodje, bodite pri delu z njim vedno previdni in upoštevajte temeljna načela varnosti in zdravlja pri delu.** Nепреvidnost lahko v trenutku povzroči hudo telesno poškodbo.

#### 4. Uporaba in vzdrževanje električnega orodja

- Ne preobremenjujte orodja. Uporabite pravo orodje za svoje delo.** Pravo električno orodje bo delo s predpisano hitrostjo in predvidenim načinom uporabe opravilo bolje in varneje.

- b. **Ne uporabljajte električnega orodja, če stikalo ne omogoča vklopa in izklopa.** Električno orodje, ki ga ni mogoče nadzirati s stikalom, je nevarno in ga je treba popraviti.
- c. **Pred nastavljanjem orodja, zamenjavo pribora ali shranjevanjem električnega orodja izvlecite vtič iz vira napajanja in/ali odstranite baterijo.** Ta varnostni ukrep zmanjšuje tveganje za zagon električnega orodja po nesreči.
- d. **Ko električno orodje ni v uporabi, ga shranjujte izven dosega otrok in ne dovolite uporabe orodja osebam, ki niso seznanjene z delovanjem orodja ali s temi navodili za uporabo.** Električna orodja so nevarna, če jih uporabljajo neizkušene osebe.
- e. **Električno orodje skrbno vzdržujte. Redno preverjajte, ali so vrtljivi deli prosto gibljivi oz. niso zagosteni, počeni ali tako poškodovani, da je funkcija električnega orodja s tem okrnjena. Poškodovano električno orodje popravite pred ponovno uporabo.** Mnogo nesreč se zgodi zaradi neustreznega vzdrževanja električnih orodij.
- f. **Rezalna orodja morajo biti vedno ostra in čista.** Skrbno negovana rezalna orodja z ostrimi rezili se manj zatikajo in so boljje vodljiva.
- g. **Električno orodje, pribor in nastavke itd. uporabljajte v skladu s temi navodili ter ob tem upoštevajte delovne pogoje in vrsto dela, ki ga bo to električno orodje opravljal.** Če orodje uporabljate v druge namene, kot je priporočeno, lahko taka uporaba povzroči poškodbe.
- h. **Ročaji in oprijemalne površine morajo biti suhe, čiste in brez madežev olja ali masti.** Spolzki ročaji in mastne oprijemalne površine ne omogočajo varne uporabe orodja v nepričakovanih situacijah.

## 6. Servis

- a. **Električno orodje naj servisira le usposobljen serviser, ki uporablja samo originalne nadomestne dele.** To zagotavlja varnost pri delovanju in uporabi električnega orodja.

## Dodatni varnostni ukrepi pri uporabi električnega orodja



**Opozorilo!** Dodatni varnostni napotki za brusilnike.

- ◆ **Električno orodje držite samo za izolirane ročaje, ker se lahko brusilna površina med delom dotakne lastnega električnega kabla.** Če prerežete žice »pod napetostjo«, bodo »pod napetostjo« tudi kovinski deli električnega orodja, to pa lahko povzroči električni udar.
- ◆ **Za pritrnitev obdelovanca na stabilno delovno podlago uporabite primež ali kakšen drugi priročni način.** Če držite obdelovanec z roko ali ga pritiskate ob telo, bo nestabilen in lahko povzroči izgubo nadzora.

- ◆ **Opozorilo! Stik z ali vdihavanje prahu, ki nastaja pri brušenju, lahko ogrozi zdravje uporabnika orodja in ljudi v bližini.** Nosite masko, ki je posebej oblikovana za zaščito pred prahom in hlapi, ter zagotovite zaščito tudi za osebe, ki so v bližini.
- ◆ **Po končanem brušenju temeljito očistite prah.**
- ◆ **Še posebej bodite pozorni, ko brusite določene vrste lesa, kjer je morda barva na osnovi svinca ali, ki lahko ustvarjajo strupeni prah:**
  - ◆ ne dovolite, da bi se v bližini zadrževale nosečnice ali otroci;
  - ◆ na delovnem mestu ne jejte, pijte, ali kadite;
  - ◆ prah in ostanke brušenja odstranite med odpadke na varen način;
- ◆ **predvidena uporaba je opisana v teh navodilih za uporabo.**  
Uporaba kateregakoli pripomočka ali pribora ali način uporabe, ki v teh navodilih ni odobren ali opisan, lahko povzroči nevarnost telesnih poškodb in/ali materialne škode.

## Varnost drugih ljudi

- ◆ Ta naprava ni namenjena uporabi s strani oseb (vključno z otroki) z omejenimi fizičnimi, čutnimi ali umskimi sposobnostmi ali pomanjkanjem izkušenj ali znanja, razen če so pod nadzorom ali so prejele navodila o uporabi naprave s strani osebe, odgovorne za njihovo varnost.
- ◆ Otroke je treba nadzorovati in tako zagotoviti, da se ne bodo igrali z napravo.

## Ostale nevarnosti.

Pri uporabi orodja se lahko pojavijo druga tveganja, ki niso navedena v varnostnih opozorilih. Ta tveganja so lahko posledica nepravilne uporabe, dolgotrajne uporabe ipd. Kljub uporabi ustreznih varnostnih ukrepov in varnostnih naprav se določenim ostalim tveganjem ni mogoče izogniti. Mednje spadajo:

- ◆ poškodbe zaradi stika z vrtljivimi/premičnimi deli;
- ◆ poškodbe pri zamenjavi delov, rezil in pribora;
- ◆ poškodbe zaradi dolgotrajne uporabe orodja; če delate z orodjem dalj časa, poskrbite za redne odmore;
- ◆ poškodbe sluha;
- ◆ nevarnost za zdravje zaradi vdihavanja prahu, ki nastaja pri uporabi orodja (na primer: delo z lesom, posebej hrastovim, bukovim in s srednje-gostimi vlaknenimi ploščami (MDF)).

## Tresljlaji

Deklarirane vrednosti emisij vibracij, ki so navedene v tehničnih podatkih in v deklaraciji o skladnosti, so bile izmerjene v skladu s standardno preizkusno metodo, ki jo predpisuje EN62841, in jih lahko uporabljate za medsebojno primerjavo orodij.

Deklarirana vrednost treslajev se lahko uporablja tudi za predhodno oceno izpostavljenosti.

**Opozorilo!** Vrednost treslajev se med dejansko uporabo orodja lahko glede na način uporabe orodja razlikuje od navedene. Raven treslajev se lahko zviša nad deklarirano vrednostjo.

Pri oceni izpostavljenosti vibracijam za določitev varnostnih ukrepov, ki jih zahteva 2002/44/ES za zaščito oseb, ki pri delu redno uporabljajo električna orodja, mora ocena izpostavljenosti upoštevati dejanske pogoje uporabe in način uporabe orodja, vključno z upoštevanjem vseh elementov delovnega cikla, kot je čas, ko je orodje izključeno, in čas, ko je vključeno brez delovanja.

### Oznake na orodju

Razen datumske kode so na orodju tudi naslednji simboli:



**Opozorilo!** Za zmanjšanje nevarnosti telesnih poškodb morate natančno prebrati navodila za uporabo.

### Električna varnost



To orodje je dvojno izolirano, zato ozemljitev ni potrebna. Vedno preverite, ali dejanska napetost ustreza napetosti, navedeni na podatkovni plošči.

- ◆ Če se poškoduje napajalni kabel, ga sme zamenjati le proizvajalec ali pooblaščen serviser podjetja BLACK+DECKER, saj se lahko le na ta način izognete morebitnim nevarnostim.

### Funkcije

To orodje vsebuje nekatere ali vse komponente, navedene v nadaljevanju.

1. Stikalo za vklop/izklop
2. Priključek za odsesavanje prahu.
3. Podstavek
4. Držalo konice
5. Konica brusilnega podstavka
6. Nastavek za natančno brušenje\*
7. Vijak
8. Konica v obliki romba

Ob tem je orodje dobavljeno z nekatero naslednjo dodatno opremo ali vso:

Pribor	Priporočena vrsta dela in uporaba
Grobo zrnati brusilni papir	Hitro odstranjevanje barve, premazov in rje
Srednje zrnati brusilni papir	Odstranjevanje barve, premazov in rje
Fino zrnati brusilni papir	Mešanje in končna obdelava površin

Pribor	Priporočena vrsta dela in uporaba
Zelo fino zrnati brusilni papir	Brušenje med premazi
Konice za natančno brušenje	Vogali in težko dosegljiva mesta
1 OT loščenje/ odstranjevanje	Loščenje kovine, odstranjevanje lakastih premazov in čiščenje stekla
Siva penasta blazinica	Nanašanje in odstranjevanje loščila
Rdeča netkana blazinica	Grobo strganje in odstranjevanje rje
Sivi papir za strganje	Loščenje plastike

\***Upoštevajte:** nastavek za natančno brušenje (6) morda ni priložen vsem enotam. Vsa oprema je na voljo pri prodajalcu BLACK+DECKER, ali prek naše spletne strani: [www.blackanddecker.co.uk](http://www.blackanddecker.co.uk).

### Sestavljanje

**Opozorilo!** Pred montažo orodje izključite in izklopite iz električnega omrežja.

#### Pritrditev brusilnih listov (sl. A in B)

- ◆ Z brusilnega lista (9) odstranite obe konici (8) v obliki romba.
- ◆ Držite orodje z brusilno podlago obrnjeno navzgor.
- ◆ Brusilni list (9) namestite prek brusilne osnove in se prepričajte, ali so luknje v plošči poravnane z luknjami v podlagi.

Rombasto konico (8) lahko obrnete ali jo zamenjate, ko je obrabljena.

- ◆ Ko je obrabljen sprednji del konice, jo odstranite s plošče, obrnite in ponovno pritisnite na brusilno podlago.
- ◆ Ko je obrabljena celotna konica, jo odstranite z brusilne osnove in pritrdite novo konico.
- ◆ Pena in blazinice za poliranje (14) lahko namestite na enak način, kot brusilne liste.

#### Konica brusilne osnove (sl. D)

Ko sta obrabljena konica brusilne osnove (5) ali konica držala (4) ju lahko obrnete ali zamenjate. Nadomestni deli so na voljo pri vašem prodajalcu BLACK+DECKER.

- ◆ Odstranite vijak (7).
- ◆ Obrnite ali zamenjajte obrabljeni del.
- ◆ Vstavite in zategnite vijak.

#### Prstni nastavek (sl. D)

Nastavek za natančno brušenje se uporablja za natančno fino brušenje.

- ◆ Odstranite vijak (7).

- ◆ Z brusilnega podstavka odstranite konico v obliki romba (4).
- ◆ Brusilno podlago pritrдите nastavek za fino brušenje (6).
- ◆ Vstavite in zategnite vijak.
- ◆ Na nastavek za natančno brušenje pritrдите ustrezni brusilni list (11).

## Uporaba

**Opozorilo!** Orodje naj deluje s svojim lastnim tempom. Ne preobremenjujte orodja.

**Opozorilo!** Med uporabo orodja ne pokrivajte prezračevalne reže. Orodje primite tako, kot je prikazano na sl. H. Prepričajte se, dali je brusilna osnova plosko na obdelavancu.

## Priklop sesalnika (sl. F)

Orodje ima adapter za priklop sesalnika, ko brusite les. Za priklop orodja na sesalnik postopajte na naslednji način:

**Opozorilo!** Zagotovite, da je orodje izklopljeno in odklopljeno iz električnega omrežja.

- ◆ Namestite priključek za odsesavanje prahu (2) v adapter na hrbtni strani orodja.
- ◆ Priključite cev primernega sesalnika na priključek.

## Vklop in izklop (sl. G)

**Opozorilo!** Pred priklopom orodja na napajanje z elektriko se prepričajte, ali je izklopljeno.

- ◆ Za vklop orodja pritisnite del stikala vklop/izklop (1), označen z 'I'.
- ◆ Za izklop orodja pritisnite del stikala vklop/izklop (1), označen z '0'.

## Oprema

Učinkovitost orodja je odvisna od pribora, ki ga uporabljate. Oprema BLACK+DECKER je izdelana z najvišjimi kakovostnimi standardi in namenjena optimalnemu izboljšanju delovnih učinkov te naprave. Z uporabo te opreme boste lahko svoje orodje kar najbolj učinkovito izkoristili.

## Vzdrževanje

Orodje BLACK+DECKER je izdelano tako, da dolga leta deluje z minimalnim vzdrževanjem. Dolgoročno zadovoljivo delovanje je odvisno od pravilne nege in rednega čiščenja orodja.

Razen rednega čiščenja ne potrebuje polnilnik nobenega vzdrževanja.

**Opozorilo!** Pred začetkom vzdrževanja orodja odklopite polnilnik, preden ga boste začeli čistiti.

- ◆ Redno čistite prezračevalne reže svojega orodja z mehko ščetko ali suho krpo.
- ◆ Redno čistite ohišje motorja z vlažno krpo. Ne uporabljajte kemičnih čistil ali sredstev za čiščenje, ki drgnejo.

## Zamenjava električnega vtiča (samo ZK in Irska)

Če je treba namestiti novi električni vtič:

- ◆ Star vtič odvrzite v skladu s predpisi.
- ◆ Priključite rjavo žico na fazni priključek novega vtiča.
- ◆ Priključite modro žico na nevtralni priključek.

**Opozorilo!** Na ozemiljavni priključek ne priključujte nobene žice. Upoštevajte napotke za vgradnjo vtičev, ki so priloženi kakovostnim vtičem. Priporočena varovalka: 5 A.

## Varovanje okolja



Odpadke odlagajte ločeno. Orodij in baterij, označenih s tem simbolom, ne odlagajte skupaj z drugimi gospodinjstvi odpadki.

Orodje in baterija vsebujeta materiale, ki jih je mogoče znova uporabiti ali reciklirati, kar zmanjšuje potrebo po surovinah. Električne izdelke in baterije reciklirajte skladno s krajevnimi predpisi. Za več podrobnosti obiščite spletno stran [www.2helpU.com](http://www.2helpU.com).

## Tehnični podatki

		BEW230
Vhodna napetost	$V_{AC}$	230
Vhodna moč	W	55
Hitrost v prostem teku	$\text{min}^{-1}$	11.000
Teža	kg	0,8

### Raven zvočnega tlaka v skladu z EN 62841:

Raven zvočnega tlaka ( $L_{WA}$ ) 65 dB (A), odstopanje (K) 3 dB (A)  
Raven zvočne moči ( $L_{WA}$ ) 76 dB (A), negotovost (K) 3 dB (A)

### Skupne vibracijske vrednosti (triosni vektorski seštevek) v skladu z EN 62841:

( $a_{hv}$ ) 12,5  $\text{m/s}^2$ , negotovost (K) 1,5  $\text{m/s}^2$

## Izjava EU o skladnosti

DIREKTIVA O STROJIH



Brusilnik BEW230

Black & Decker izjavlja, da so izdelki, opisani pod "tehničnimi podatki" v skladu z:

2006/42/ES, EN62841-1:2015, EN62841-2:4:2014.

Ti izdelki so v skladu tudi z direktivo 2014/30/EU in 2011/65/EU. Za več informacij se posvetujte s podjetjem Black & Decker na spodnjih naslovih, ali poiščite kontaktne podatke na zadnji strani navodil.



Podpisani je odgovoren za sestavo tehnične datoteke in daje to izjavo v korist Black & Decker

*Patrick Diepenbach*

Patrick Diepenbach  
General Manager, Benelux  
Stanley FatMax,  
Egide Walschaertsstraat 14-18  
2800 Mechelen, Belgium  
24. 08. 2018

## Garancija

Na osnovi svojega zaupanja v kakovost svojih izdelkov ponuja Black & Decker 24 mesečno garancijo, ki velja od dneva nakupa. Ta garancija je dodatek in v nobenem primeru ne vpliva na vaše zakonjene pravice. Garancija je veljavna znotraj ozemlja držav članic EU in na evropskem trgovinskem območju.

Za garancijski zahtevek boste morali skladno s pravili in pogoji poslovanja podjetja Black & Decker prodajalcu ali pooblaščenemu serviserju predložiti dokazilo o nakupu orodja.

Pravila in pogoje 2-letne garancije podjetja Black & Decker in lokacijo najbližjega pooblaščenega serviserja lahko najdete na spletni strani [www.2helpU.com](http://www.2helpU.com), ali če kontaktirate s krajevnim uradom Black & Decker, naslovi trgovin so navedeni v tem priročniku.

Obiščite našo spletno stran [www.blackanddecker.co.uk](http://www.blackanddecker.co.uk) in registrirajte svoj novi izdelek Black & Decker, da boste ostali seznanjeni z našimi novimi izdelki in posebnimi ponudbami.

## Предназначение

Вашият шлайф BLACK+DECKER BEW230 е проектиран за шлифване и полиране на дърво, метал, пластмаси и боядисани повърхности. Този инструмент е предназначен само за употреба от потребителя.

## Инструкции за безопасност

### Общи предупреждения за безопасна работа с електроинструменти



**Предупреждение!** Прочетете всички предупреждения, инструкции, илюстрации и технически характеристики, предоставени с този електроинструмент. Неспазването на предупрежденията и указанията, изброени по-долу, може да доведе до токов удар, пожар и/или тежки травми.

**Запазете всички предупреждения и инструкции за бъдещи справки.** Терминът "електроинструмент" във всички предупреждения, изброени по-долу, се отнася до захранвани (със захранващ кабел) или работещи на батерии (без захранващ кабел) електрически инструменти и машини.

1. **Безопасност на работното място**
  - а. **Пазете работното място чисто и добре осветено.** Безпорядъкът и недостатъчното осветление могат да доведат до трудова злополука.
  - б. **Не използвайте електроинструменти във взривоопасна среда, като например при наличието на запалителни течности, газове или прах.** Електроинструментите произвеждат искри, които могат да възпламенят праха или изпаренията.
  - в. **Дръжте деца и странични лица надалече, докато работите с електроинструмента.** Всяко отклоняване на вниманието може да ви накара да загубите контрол.
2. **Електрическа безопасност**
  - а. **Щепселите на електроинструмента трябва да са подходящи за използвания контакт. Никога, по никакъв начин не променяйте щепсела. Не използвайте адаптери за щепсела със заземени (замасени) електрически инструменти.** Непроменените щепсели и контакти намаляват риска от токов удар.
  - б. **Да се избягва контакт на тялото със заземени или замасени повърхности като тръби, радиатори, кухненски печки и хладилници.** Съществува повишен риск от токов удар, ако тялото ви е заземено.
  - в. **Не излагайте електроинструментите на дъжд и мокри условия.** Проникването на вода в електроинструмента повишава опасността от токов удар.

- г. **Не злоупотребявайте с кабела. Никога не използвайте кабела за носене, дърпане или изключване на електроинструмента. Пазете кабела далече от топлина, масло, остри ръбове или движещи се части.** Повредените или оплетени кабели увеличават риска от токов удар.
- д. **Когато работите с електроинструмент на открито, използвайте удължителен кабел, удобен за използване на открито.** Използването на кабел, подходящ за употреба на открито, намалява риска от токов удар.
- е. **Ако не можете да избегнете работата с електроинструмент на влажно място, използвайте захранване с дефектнотоковата защита (RCD).** Употребата на RCD намалява риска от токов удар.
3. **Лична безопасност**
- а. **Бъдете нащрек, внимавайте какво правите и бъдете разумни, когато работите с електроинструмента. Не използвайте електроинструмента, когато сте изморени или сте под влияние на наркотици, алкохол или медикаменти.** Един миг невнимание при работа с електроинструмент може да доведе до сериозни наранявания.
- б. **Използвайте лични предпазни средства. Винаги носете защита за очите.** Предпазни средства, като противопрахова маска, предпазни обувки, каска или слухова защита, използвани за съответните условия, намаляват личните наранявания.
- в. **Предотвръщайте случайно задействане. Уверете се, че превключвателят е на позиция изключен, преди да го свържете към източника на захранване и/или към батерийното устройство, преди да вземете или носите инструмента.** Носенето на електроинструмент с пръста на прекъсвача или стартирането на електроинструменти, когато прекъсвачът е на позиция "включен", може да доведе до трудова злополука.
- г. **Махнете всички регулиращи или гаечни ключове преди да включите електроинструмента.** Прикрепени към въртящи се части на електроинструмента гаечни или регулиращи ключове могат да доведат до наранявания.
- д. **Не се протягайте прекалено. Стойте стабилно на краката си през цялото време.** Това позволява по-добър контрол над електроинструмента в непредвидими ситуации.
- е. **Обличайте се подходящо. Не носете висящи дрехи или бижута. Пазете косата си, дрехите си и ръкавиците далече от движещите се части.**
- Висящите дрехи, бижута или дълги коси могат да бъдат захванати от движещи се части.
- ж. **Ако са предоставени устройства за аспирация или приспособления за събиране на прах, уверете се, че са свързани и използвани правилно.** Използването на тези средства може да намали опасностите свързани с праха.
- з. **Не допускайте поради навика от честото използване на инструмента да пренебрегвате принципите за безопасност при работа с него.** Едно невнимателно действие може да доведе до тежки наранявания в рамките на части от секундата.
4. **Използване и грижа за електроинструментите**
- а. **Не насилвайте електроинструментите. Използвайте правилния инструмент за вашето приложение.** Подходящият електроинструмент ще свърши по-добре и по-безопасно работата, при темпото, за което е създаден.
- б. **Не използвайте електроинструмента, ако превключвателят не го включва и изключва.** Всеки електроинструмент, който не може да се контролира с превключвателя е опасен и трябва да се поправи.
- в. **Изключете щепсела от захранването и/или батерията на електроинструмента преди извършването на каквото и да е регулиране, смяна на аксесоари или съхраняване на уреда.** Такива предварителни мерки за безопасност намаляват риска от нежелателно задействане на електроинструмента.
- г. **Съхранявайте преносимите електроинструменти извън досега на деца и не позволявайте на непознати с електроинструмента или тези инструкции лица да работят с него.** Електроинструментите са опасни в ръцете на необучени потребители.
- д. **Поддържайте електроинструментите. Проверявайте за неправилно разположение или свързване на подвижните звена, за счупване на части и всички други условия, които могат да повлияят на експлоатацията на електроинструментите.** При повреда на електроинструмента, задължително го поправете преди да го използвате отново. Много злополуки се причиняват от лошо поддържани електрически инструменти.
- е. **Да се поддържат режещите инструменти остри и чисти.** Правилно поддържаните режещи инструменти с остри остриета по-трудно могат да се огънат и по-лесно се контролират.

- ж. Използвайте електроинструментите, аксесоарите и допълнителните части към тях в съответствие с инструкциите, като вземате предвид работните условия и характера на работата. Използването на електроинструмента за работи, различни от тези, за които е предназначен, може да доведе до опасни ситуации.
- з. Пазете дръжките и повърхностите за захващане сухи и чисти от масло и грес. Хлъзгави дръжки и повърхности не са условие за безопасна работа и контрол на инструмента в неочаквани ситуации.
6. Сервизиране
- а. Сервизирането на вашия електроинструмент трябва да се извършва само от квалифицирано лице, като се използват само оригинални резервни части. Това ще гарантира безопасната употреба на уреда.

### Допълнителни предупреждения относно безопасността при работа с електроинструменти



**Предупреждение!** Допълнителни предупреждения за безопасност за шлайф машини.

- ◆ Дръжте електроинструмента за ръкохватката с изолирана повърхност, защото шлифовъчната повърхност може да се свърже с кабела на инструмента. Прерязването на "жив" кабел ще зареди с ток металните части на електроинструмента, в резултат на което оператора може да получи токов удар.
- ◆ Използвайте скоби или друг практически начин да застопорите и укрепите обработвания детайл към стабилна платформа. Ако държите детайла с една ръка или е опрян в тялото ви, го прави нестабилен и може да доведе до загуба на контрол.
- ◆ **Предупреждение! Контактът или вдишването на прах, в резултат на работата на шлайфа, могат да застрашат здравето на оператора и на трети лица в близост.** Носете защитна маска срещу прах, специално създадена за предпазване от прах и изпарения, и внимавайте лицата в или в близост до работната зона също да са защитени.
- ◆ Отстранете изцяло праха след работа с шлайф машината.
- ◆ Обърнете специално внимание при шлифование на боя с евентуална оловна основа или при шлайфане на дървесина и метал, които могат да произведат токсичен прах:
  - ◆ Не позволявайте на деца или бременни жени да влизат в работната зона.
  - ◆ Не яжте, не пийте и не пушете в работната зона.

- ◆ Изхвърлете праховите частици и други остатъци безопасно.
- ◆ **Предназначението е описано в това ръководство.** Използването на аксесоар, приспособление или изпълнението на каквато и да е операция с този инструмент, различни от препоръчаните в това ръководство, представлява риск от нараняване и/или повреда на имущество.

### Безопасност на хората около вас

- ◆ Този уред не е предназначен за употреба от лица (включително деца) с намалени физически, сетивни или умствени възможности, с недостатъчен опит и познания, освен ако са под наблюдение и са им дадени инструкции за употребата на уреда от лице, отговорно за тяхната безопасност.
- ◆ На децата не трябва да се позволява да играят с уреда.

### Допълнителни рискове.

Допълнителни остатъчни рискове могат да възникнат при използването на инструмента, и не могат да бъдат включени в приложените предупреждения за безопасност. Тези рискове могат да бъдат причинени от неправилна употреба, продължителна употреба и др. Въпреки прилагането на съответните правила за безопасност и използването на уреди за безопасност, някои допълнителни рискове не могат да бъдат избегнати. Те включват:

- ◆ Наранявания, причинени от докосване до въртящи се/движещи се части.
- ◆ Наранявания, причинени от смяна на части, остриета или аксесоари.
- ◆ Наранявания, причинени от продължителна употреба на инструмента. Когато използвате някой инструмент за продължителни периоди от време, е необходимо да си взимате редовни почивки.
- ◆ Увреждане на слуха.
- ◆ Опасност за здравето, причинена от вдишването на прах в резултат от употребата на вашия инструмент (пример: работа с дърво, особено с дъб, бук и MDF.)

### Вибрация

Стойностите на декларираното ниво на излъчвани вибрации, които са обявени в техническите данни и в декларацията за съответствие, са измерени в съответствие със стандартен метод за тестване, предоставен от EN62841 и може да се използват за сравнение на един инструмент с друг. Декларираните стойности на излъчваните вибрации могат, също така да бъдат използвани при предварителната оценка за излагането.

**Предупреждение!** Стойността на генерираните вибрации по време на действителното използване на електроинструмента може да се различава от обявената стойност, в зависимост от начина, по който се използва инструментът. Нивото на вибрации може да се увеличи над обявените стойности.

При оценяване на вибрациите на излагане за определяне на мерките за безопасност, изисквани от 2002/44/ЕО за защита на лица, които редовно използват електрически инструменти при работа, трябва да се направи оценка на излагането на вибрации, действителните условия на употреба и начина, по който се използва инструмента, включително като се вземат предвид всички части на работния цикъл, като например време, когато инструментът е изключен и когато се работи на празен ход, в допълнение към времето за задействие.

**Етикети по инструмента**

Следните символи са показани на инструмента, заедно с кода на датата:



**Предупреждение!** За да намалите риска от наранявания, прочетете ръководството с инструкции.

**Електрическа безопасност**



Този инструмент е двойно изолиран, следователно не му трябва заземителен кабел. Винаги проверявайте дали захранващият кабел е в съответствие с напрежението на табелката.

- ◆ Ако захранващият кабел е повреден, трябва да се смени от производителя или от оторизиран сервизен център на BLACK+DECKER, за да се предотврати злополука.

**Характеристики**

Вашият инструмент има всички или някои от следните характеристики.

1. Превключвател вкл./изкл.
2. Конектор за прахоотделяне.
3. Основа
4. Държач на върха
5. Връх на шлифовъчната основа
6. Пръстово приспособление\*
7. Винт
8. Връхче с форма на диамант

Освен това, този инструмент се доставя с някои или всички от следните аксесоари:

Аксесоар	Препоръчително приложение и употреба
Груба шкурка	Бързо отстраняване на боя, лак и ръжда

Аксесоар	Препоръчително приложение и употреба
Средно груба шкурка	Отстраняване на боя, лак и ръжда
Фина шкурка	Сливане на повърхности и довършителни работи
Изключително фина шкурка	Шлифование между пластове
Върхове за детайлно шлифование	Ъгли и трудни за достигане места
1 ОТ полиране/оголване на дърво	Полиране на метали, сваляне на лак и почистване на стъкло
Подложка от сива пяна	Нанасяне и сваляне на лак
Червена нетъкана подложка	Тежко почистване и премахване на ръжда
Сива абразивна хартия	Полиране на пластмаси

**\*Запомете:** Приспособлението за закрепване на пръста (6) може да не е включено във всички устройства. Всички аксесоари се предлагат от вашия дилър на BLACK+DECKER или чрез нашия уебсайт: [www.blackanddecker.co.uk](http://www.blackanddecker.co.uk).

**Сглобяване**

**Предупреждение!** Преди монтажа се уверете, че инструментът е изключен и от електрическата мрежа.

**Поставяне на шлифовъчни листове (фиг. А и В)**

- ◆ Отстранете двата върха с диамантена форма (8) от листа за шлифование (9).
- ◆ Дръжте инструмента с шлифовъчната основа нагоре.
- ◆ Поставете листа за шлифование (9) върху основата за шлайфане, като се уверите, че дупките в листа се изравняват с дупките в основата.

Върхът с диамантена форма (8) може да бъде обърнат и заменен, когато е износен.

- ◆ Когато предната част на върха е износена, отделете го от листа, обърнете го и го натиснете отново върху шлифовъчната основа.
- ◆ Когато целият връх е износен, извадете го от основата за шлифование и поставете нов връх.
- ◆ Полировъчната пяна и подложките (14) могат да бъдат монтирани по същия начин, както и шлифовъчните листове.

**Връх на шлифовъчната основа (фиг. D)**

Когато върхът на шлифовъчната основа (5) или носачът на върха (4) се износят, той може да бъде обърнат или заменен. Можете да получите резервни части от вашият доставчик на BLACK+DECKER.

- ◆ Свалете винта (7).
- ◆ Обърнете или сменете износената част.
- ◆ Поставете и затегнете винта.

### Пръстови приспособления (фиг. D)

Пръстовата приставка се използва за фино шлифоване на детайлите.

- ◆ Свалете винта (7).
- ◆ Свалете държача на върха с диамантена форма (4) от шлифовъчната основа.
- ◆ Поставете пръстовото приспособление (6) върху шлифовъчната основа.
- ◆ Поставете и затегнете винта.
- ◆ Поставете подходящата шкурка (11) върху пръстовата приставка.

### Употреба

**Предупреждение!** Оставете инструмента да работи със собствената си скорост. Не претоварвайте.

**Предупреждение!** Не покривайте вентилационните отвори, когато използвате инструмента. Дръжте инструмента, както е показано на фиг. H. Уверете се, че шлифовъчната основа е плоска върху детайла.

### Свързване на прахосмукачка (фиг. F)

Инструментът има адаптор за свързване към прахосмукачка при шлифоване на дървесина. За свързване на инструмента към прахосмукачката, продължете със следното:

**Предупреждение!** Уверете се, че инструментът е изключен и от електрическата мрежа.

- ◆ Поставете конектора за прахоулавяне (2) на адаптера отзад на инструмента.
- ◆ Свържете маркуча на подходяща прахосмукачка към конектора.

### Включване и изключване (фиг. G)

**Предупреждение!** Преди да свържете инструмента към захранването, уверете се, че е изключен.

- ◆ За да включите инструмента, натиснете частта от ключа за включване/изключване (1) означен с "I".
- ◆ За да изключите инструмента, натиснете частта на превключвателя за включване/изключване (1) означен с "0".

### Допълнителни приспособления

Работата на вашия инструмент зависи от използваните допълнителни приспособления. Приспособленията на BLACK+DECKER са създадени по стандарти за високо качество с цел да повишат ефективността на работа на вашия инструмент. Чрез използването на тези допълнителни приспособления вие ще получите най-доброто от работата с вашия инструмент.

### Поддръжка

Вашият инструмент на BLACK+DECKER е създаден за продължителна и дългосрочна работа с минимална поддръжка. Продължителната и задоволителна работа зависи от правилната грижа за инструмента и от редовното почистване.

Вашето зарядно не изисква никаква поддръжка, освен редовно почистване.

**Предупреждение!** Преди да извършвате поддръжка на инструмента, изключете и свалете зарядното устройство, преди почистване.

- ◆ Редовно да се почистват вентилационните слотове на инструмента с помощта на мека суха четка или суха кърпа.
- ◆ Редовно почиствайте корпуса на двигателя с помощта на чиста мокра кърпа. Не използвайте абразивен препарат или такъв на разтворителна основа.

### Замяна на щепсела (само за Великобритания и Ирландия)

Ако трябва да се сложи нов щепсел:

- ◆ Извържете безопасно стария щепсел.
- ◆ Свържете кафявата жица към живия терминал в новият щепсел.
- ◆ Свържете синята жица към неутралния терминал.

**Предупреждение!** Не трябва да се прави свързване към заземяния терминал. Следвайте инструкциите за монтаж, които се предоставят с висококачествените щепсели. Репоръчителен предпазител: 5 A.

### Защита на околната среда



Разделно събиране. Продуктите и батериите, отбелязани с този символ не трябва да се изхвърлят с битовите отпадъци.

Продуктите и батериите съдържат материали, които могат да бъдат възстановени или рециклирани, което намаляване търсенето на суровини. Моля, рециклирайте електрически продукти и батериите в съответствие с местните разпоредби. Повече информация можете да намерите на [www.2helpU.com](http://www.2helpU.com).

### Технически данни

		BEW230
Входящо напрежение	V <sub>AC</sub>	230
Входяща мощност	W	55
Скорост на празен ход	мин <sup>-1</sup>	11 000
Тегло	кг	0,8

#### Ниво на звуково налягане в съответствие с EN 62841:

Звуково напрежение (L<sub>PA</sub>) 65 dB(A) колебание (K) 3 dB(A)  
Звукова мощност (L<sub>WA</sub>) 76 dB(A) колебание (K) 3 dB(A)

Общи стойности на вибрациите (триаксална векторна сума) според EN 62841:

(a<sub>n</sub>) 12,5 м/сек.<sup>2</sup>, колебание (K) 1,5 м/сек.<sup>2</sup>

## ЕО декларация за съответствие

ДИРЕКТИВА ЗА МАШИНИТЕ



BEW230 шлайф

Black & Decker декларира, че тези продукти, описани под "технически данни" са в съответствие с:

2006/42/ЕС, EN62841-1:2015 +EN62841-2-4:2014.

Тези продукти, също така, са съобразени с Директива 2014/30/ЕС и 2011/65/ЕС. За повече информация се свържете с Black & Decker на следния адрес или вижте задната страна на ръководството.

Долуподписаният е отговорен за компилацията на техническия файл и прави тази декларация от името на Black & Decker.

Patrick Diepenbach  
General Manager, Benelux  
Stanley FatMax,  
Egide Walschaertsstraat 14-18  
2800 Mechelen, Belgium  
24.8.2018 г.

## Гаранция

От Black & Decker сме уверени в качеството на изделията си и предлагаме изключителна потребителска гаранция от 24 месеца от датата на закупуването. Тази гаранция е само допълнение към вашите законови права, а не ги определя. Гаранцията е валидна на територията на страните членки на ЕС и на европейската свободна търговска зона.

За да изискате гаранция, искът трябва да е в съответствие с Правилата и условията на Black & Decker и трябва да предоставите доказателство за покупка на продавача или на оторизирания сервизен агент.

Правилата и условията на 2 годишната гаранция на Black & Decker и адреса на най-близкия упълномощен сервизен агент можете да намерите на [www.2helpU.com](http://www.2helpU.com), или като се свържете с най-близкия офис на Black & Decker, на адреса, указан в това ръководство. Моля, посетете нашия уеб сайт [www.blackanddecker.co.uk](http://www.blackanddecker.co.uk), за да регистрирате вашето ново изделие на Black & Decker и да сте в течение на нови изделия и специални оферти. Stanley Black & Decker Phoenicia Business Center  
Strada Turturelelor, nr 11A, Etaj 6, Modul 15,  
Sector 3 Bucuresti Telefon: +4021.320.61.04/05

## Ettenähtud otstarve

BLACK+DECKERi lihvmasin BEW230 on mõeldud puidu, metalli, plasti ja värvitud pindade lihvimiseks ja poleerimiseks. See tööriist on mõeldud ainult laiatarbekasutuseks.

## Ohutuseeskirjad

### Elektritööriistadega seotud üldised hoiatused



**Hoiatus!** Lugege kõiki selle elektritööriistaga kaasas olevaid hoiatusi, juhiseid, jooniseid ja tehnilisi andmeid. Kõigi alltoodud hoiatuste ja juhiste täpne järgimine aitab vältida elektrilöögi, tulekahju ja/või raske kehavigastuse ohtu.

### Hoidke kõik hoiatused ja juhised tuleviku tarvis alles.

Hoiatustes kasutatud termin „elektritööriist“ viitab võrgutoitel töötavatele (juhtmega) ja akutoitel töötavatele (juhtmeta) elektritööriistadele.

#### 1. Tööpiirkonna ohutus

##### a. Tööpiirkond peab olema puhas ja hästi valgustatud.

Korralageduse ja puuduliku valgustuse korral võivad kergesti juhtuda õnnetused.

##### b. Ärge kasutage elektritööriistu plahvatusohtlikus keskkonnas, kus leidub tuleohtlikke vedelikke, gaase või tolmu. Elektritööriistad tekitavad sädemeid, mis võivad tolmu või auru süüdata.

##### c. Hoidke lapsed ja kõrvalised isikud elektritööriista kasutamise ajal eemal. Tähelepanu hajumisel võite kaotada tööriista üle kontrolli.

#### 2. Elektriohutust

##### a. Elektritööriista pistik peab sobima pistikupesaga.

Ärge muutke pistikut mis tahes moel. Ärge kasutage maandatud elektritööriistade puhul adapterpistikut.

Originaalpistikud ja nendega sobivad pistikupesad vähendavad elektrilöögi ohtu.

##### b. Vältige kokkupuudet maandatud pindadega, nagu torud, radiaatorid, pliidid ja külmikud. Elektrilöögi saamise oht suureneb, kui teie keha on maandatud.

##### c. Vältige elektritööriistade sattumist vihma või niiskuse kätte. Elektritööriista sattunud vesi suurendab elektrilöögi ohtu.

##### d. Käsitsege toitejuhet õigesti. Ärge kunagi kasutage elektritööriista juhete selle kandmiseks, tõmbamiseks ega pistiku eemaldamiseks vooluvõrgust. Kaitske juhete kuumuse, õli, teravate servade ja liikuvate osade eest. Kahjustatud või sassis juhtmed suurendavad elektrilöögi ohtu.

##### e. Kui töötate seadmega väljas, kasutage kindlasti välitingimustesse sobivat pikendusjuhet.

Välitingimustesse sobiva pikendusjuhtme kasutamine vähendab elektrilöögi ohtu.

- f. Kui elektritööriistaga töötamine niisketes tingimustes on vältimatu, kasutage rikkevoolukaitset.

Rikkevoolukaitsme kasutamine vähendab elektrilöögi ohtu.

### 3. Isiklik ohutus

- a. Säilitage valvsus, jälgige, mida teete, ja kasutage elektritööriista mõistlikult. Ärge kasutage elektritööriista väsinuna ega alkoholi, narkootikumide või arstimate mõju all olles. Kui elektritööriistaga töötamise ajal tähelepanu kas või hetkeks hajub, võite saada raskeid kehavigastusi.

- b. Kasutage isikukaitsevahendeid. Kandke alati silmade kaitset. Isikukaitsevahendid, nagu tolumumask, mittelbibesivad jalanõud, kiiver ja kõrvaklapid, vähendavad vastavates tingimustes kasutamisel tervisekahjustusi.

- c. Vältige seadme ootamatut käivitumist. Enne tööriista ühendamist vooluvõrku ja/või aku paigaldamist veenduge, et lüliti oleks väljalülitatud asendis. Kandes tööriista, sõrm lüliti, või ühendades toiteallikaga tööriista, mille lüliti on tööasendis, võib juhtuda õnnetus.

- d. Enne elektritööriista sisselülitamist eemaldage kõik reguleerimis- ja mutrivõtmed. Tööriista pöörleva osa külge jäetud reguleerimis- või mutrivõti võib tekitada kehavigastusi.

- e. Ärge küünitage. Seiske alati kindlalt jalgel ja hoidke tasakaalu. Siis on võimalik ettearvatutes olukordades tööriista paremini valitseda.

- f. Riietuge sobivalt. Ärge kandke lehvivaid rõivaid ega ehteid. Hoidke juuksed, riided ja kindad liikuvatest osadest eemal. Lehvivad riided, ehted ja pikad juuksed võivad jääda liikuvate osade vahele.

- g. Kui tööriistal on tolmuemaldusliidesed, siis veenduge, et need on ühendatud ja õigesti kasutatavad. Tolmukogumisseadme kasutamine võib vähendada tolmu seotud ohte.

- h. Hoolimata tööriistade sagedasel kasutamisel omandatud vilumusest ei tohi muutuda lohakaks ja eirata tööohutusnõudeid. Isegi hetkeline hooletus võib lõppeda raskete vigastustega.

### 4. Elektritööriistade kasutamine ja hooldamine

- a. Ärge koormake elektritööriista üle. Kasutage konkreetselt otstarbeks sobivat elektritööriista. Elektritööriist tuleb tööga paremini ja ohutumalt toime ettenähtud koormusel.

- b. Ärge kasutage elektritööriista, kui seda ei saa lülitist sisse ja välja lülitada. Elektritööriist, mida ei saa juhtida lülitist, on ohtlik ja vajab remonti.

- c. Enne reguleerimist, tarvikute vahetamist ja hoieulepanemist lahutage tööriist vooluvõrgust ja/või eemaldage aku. Nende ettevaatusabinõude rakendamine vähendab elektritööriista ootamatu käivitumise ohtu.

- d. Kui elektritööriista ei kasutata, hoidke seda lastele kättesaamatus kohas ning ärge lubage tööriista kasutada inimestel, kes seda ei tunne või pole lugenud käesolevat kasutusjuhendit. Oskamatutes kätes on elektritööriistad ohtlikud.

- e. Elektritööriistu tuleb hooldada. Veenduge, et liikuvad osad on õiges asendis ega ole kinni kiilunud, detailid on terved ja puuduvad muud asjaolud, mis võivad mõjutada tööriista tööd. Kahjustuste korral laske tööriista enne edasist kasutamist remontida. Paljude õnnetuste põhjuseks on halvasti hooldatud elektriseadmed.

- f. Hoidke löiketarvikud terava ja puhtana. Õigesti hooldatud ja teravate servadega löikeriistad kiiluvad väiksema töökoormusega kinni ning neid on lihtsam juhtida.

- g. Kasutage elektritööriista, tarvikuid, otsikuid jms vastavalt juhendile, võttes arvesse nii tööpiirkonda kui ka tehtava töö iseloomu. Tööriista kasutamine mittesihtotstarbelselt võib põhjustada ohtlikke olukordi.

- h. Hoidke käepidemed ja haardepinnad kuivad, puhtad ning vabad õlist ja määretest. Libedad käepidemed ja haardepinnad ei võimalda tööriista ohutut käsitlemist ja juhtimist ootamatutes olukordades.

### 6. Teenindus

- a. Laske tööriista korrapäraselt hooldada kvalifitseeritud remonditöökojas ja kasutage ainult originaalvaruosi. Nii tagate elektriseadme ohutuse.

### Täiendavad hoiatused elektritööriistade kohta



**Hoiatus!** Täiendavad ohutusnõuded lihvmasinat kasutamisel.

- ◆ Hoidke elektritööriista isoleeritud käepidemetest, kuna lihvimispind võib riivata seadme juhet. Voolu all oleva juhtme riivamisel võivad voolu alla sattuda ka elektritööriista lahtised metallosad, andes kasutajale elektrilöögi.
- ◆ Toestage detail ja kinnitage see pitskruvidega või muul sobival viisil stabiilse aluse külge. Kui hoiate töödetaali käes või keha vastas, on see ebastabiilne ja võib kontrolli alt väljuda.
- ◆ Hoiatus! Kokkupuude lihvimisel tekkiva tolmu või selle sissehingamine võib mõjuda halvasti seadme kasutaja ning võimalike kõrvalseisjate tervisele. Kandke tolmu maski, mis on mõeldud kaitseks tolmu ja aurude eest, ning veenduge, et tööpiirkonda sisenevad isikud on samuti kaitstud.
- ◆ Eemaldage pärast lihvimist hoolikalt kogu tolm.
- ◆ Olge eriti ettevaatlik, kui lihvide värvi, mis võib sisaldada pliid, või kui töötate sellise puidu/metalliga, mille lihvimisel võib eralduda mürgist tolmu.
  - ◆ Ärge laske tööpiirkonda lapsi ega rasedaid naisi.

- ◆ Tööpiirkonnas ei tohi süüa, juua ega suitsetada.
- ◆ Kõrvaldage tolmuosakesed ja muud jäägid ohutult.
- ◆ Selles kasutusjuhendis kirjeldatakse ettenähtud otstarvet. Mistahes tarvikute või lisaseadmete kasutamine või tööriista kasutamine viisil, mida selles kasutusjuhendis ei soovitata, võib põhjustada kehavigastuse või varalise kahju ohtu.

### Juuresviibijate ohutus

- ◆ Seade ei sobi kasutamiseks isikute (sealhulgas laste) poolt, kelle füüsilised, tajumis- või vaimsed võimed on piiratud või kellel puuduvad kogemused ja teadmised seadme kasutamise kohta, välja arvatud juhul, kui neid jälgib või juhendab nende ohutuse eest vastutav isik.
- ◆ Lapsi tuleb valvata, et nad selle seadmega ei mängiks.

### Muud ohud

Tööriista kasutamisel võivad tekkida täiendavad ohud, mida pole hoiatustes märgitud. Need ohud võivad tekkida vales või pikaajalisest kasutamisest jne.

Ka asjakohaste ohutusnõuete järgimisel ja turvaseadeldiste kasutamisel ei saa teatud ohte vältida. Need on järgmised.

- ◆ Pöörlevate või liikuvate osade puudutamisest põhjustatud vigastused.
- ◆ Detailide, terade või tarvikute vahetamisel tekkivad vigastused.
- ◆ Tööriista pikaajalisest kasutamisest põhjustatud vigastused. Tööriista pikemaajalisel kasutamisel tehke korrapäraselt puhkepause.
- ◆ Kuulmiskahjustused.
- ◆ Tervisekahjustused, mille põhjuseks on tööriista kasutamise käigus sisse hingatud tolm (näiteks puiduga töötamisel, eriti tamme, pöõgi ja MDF-plaatide puhul).

### Vibratsioon

Tehnilistes andmetes ja vastavusdeklaratsioonis esitatud vibratsiooni mõju väärtused on mõõdetud vastavalt standardis EN62841 kirjeldatud standardsele katsemeetodile ning neid võib kasutada tööriistade omavaheliseks võrdlemiseks.

Deklareeritud vibratsioonitaset võib kasutada ka kokkupuute esmaseks hindamiseks.

**Hoiatus!** Elektritööriista tegeliku kasutamise ajal tekkiva vibratsiooni väärtused võivad selle kasutamisiisist sõltvalt deklareeritud väärtustest erineda. Vibratsioonitugevus võib tõusta üle deklareeritud taseme.

Palgatöö käigus regulaarselt elektritööriista kasutavate isikute kaitsemeetmeid reguleerivas direktiivis 2002/44/EÜ esitatud nõuete raames vibratsiooniväärtuseid hinnates tuleks vibratsioonitaseme hindamisel arvesse võtta tegelikke kasutamistingimusi ja tööriista kasutamisiisist, arvestades seejuures töösükli kõiki osi (lisaks päästiku allhoidmise ajale ka neid aegu, mil tööriist on välja lülitatud või töötab tühikäigul).

### Tööriistal olevad sildid

Tööriistal on järgmised sümbolid koos kuupäevakoodiga.



**Hoiatus!** Vigastusohu vähendamiseks tuleb lugeda kasutusjuhendit.

### Elektriohutus



See tööriist on topeltisolatsiooniga ega vaja seega lisamaandust. Veenduge alati, et toitepinge vastab andmesildile märgitud väärtusele.

- ◆ Kui toitejuhe on kahjustunud, tuleb lasta see ohutuse tagamiseks tootjal või BLACK+DECKERi volitatud teeninduses välja vahetada.

### Osad

Sellel tööriistal on mõned või kõik järgmised osad.

1. Toitelüliti
2. Tolmueemaldusliitmik.
3. Alus
4. Otsiku hoidik
5. Lihvalla ots
6. Sõrmeotsik\*
7. Kruvi
8. Rombikujuline otsatükk

Lisaks kuuluvad selle tööriista juurde mõned või kõik järgmised tarvikud:

Tarvik	Soovitav rakendusala ja kasutamine
Jämeda teraga liivapaber	Värvi, laki ja rooste kiire eemaldamine
Keskmise teraga liivapaber	Värvi, laki ja rooste eemaldamine
Peene teraga liivapaber	Pinna ühtlustamine ja viimistlemine
Eriti peene teraga liivapaber	Värvitud pinna lihvimine enne uuesti värvimist
Detailihvimisotsikud	Nurgad ja raskesti ligipääsetavad kohad
1 OT poleerimis-/ eemaldusvill	Metalli poleerimine, laki eemaldamine ja klaasi puhastamine
Hall poleerimiskäsn	Poleerimisvahendi pealekandmine ja eemaldamine
Punane mittekoatud poleerimispadid	Jõuline hõõrumine ja rooste eemaldamine
Hall lihvapaber	Plastmassi poleerimine



\* **Tähelepanu!** Sõrmeotsik (6) ei pruugi olla kõikide seadmetega kaasas. Kõiki lisatarvikuid saab BLACK+DECKERi edasimüüjalt või meie veebilehe kaudu: [www.blackanddecker.co.uk](http://www.blackanddecker.co.uk).

## Kokkupanemine

**Hoiatus!** Enne kokkupanemist veenduge, et tööriist oleks välja lülitatud ja vooluvõrgust eemaldatud.

### Liivapaberi paigaldamine (joonised A ja B)

- ◆ Eemaldage liivapaberi (9) küljest kaks rombikujulist otsatükki (8).
  - ◆ Hoidke tööriista nii, et lihvtaol on suunatud ülespoole.
  - ◆ Asetage liivapaber (9) lihvtaolale ja veenduge, et paberi augud ühtiksid lihvtaol aukudega.
- Kulunud rombikujulise otsatüki (8) võib ümber pöörata või välja vahetada.
- ◆ Kui otsa esiosa on kulunud, eemaldage see paberi küljest, pöörake ümber ja suruge tagasi lihvtaol külge.
  - ◆ Kui kogu ots on kulunud, eemaldage see lihvtaol küljest ja paigaldage uus otsatükk.
  - ◆ Poleerimiskäsna ja -patju (14) saab paigaldada samamoodi nagu liivapaberit.

### Lihvtalla ots (joonis D)

Kui lihvtaol ots (5) või hoidik (4) on kulunud, võib selle ümber pöörata või välja vahetada. Varuosi saate BLACK+DECKERi edasimüüjalt.

- ◆ Eemaldage kruvi (7).
- ◆ Pöörake ümber või asendage kulunud osa.
- ◆ Paigaldage ja kinnitage kruvi.

### Sõrmeotsik (joonis D)

Sõrmeotsikut kasutatakse detailide peenlihvimiseks.

- ◆ Eemaldage kruvi (7).
- ◆ Eemaldage rombikujuline hoidik (4) lihvtaol küljest.
- ◆ Paigaldage sõrmeotsik (6) lihvtaol külge.
- ◆ Paigaldage ja kinnitage kruvi.
- ◆ Paigaldage sõrmeotsiku (11) külge sobiv liivapaber.

### Kasutamine

**Hoiatus!** Laske tööriistal töötada omas tempos. Ärge koormake seda üle.

**Hoiatus!** Ärge katke tööriista kasutamisel ventilatsiooniavasid. Hoidke tööriista nii, nagu näidatud joonisel H. Jälgige, et lihvtaol toetuks üleni vastu materjali.

### Tolmuimeja ühendamine (joonis F)

Tööriistal on adapter, mille abil saab selle pidu lihvimisel ühendada tolmuimejaga. Tööriista ühendamiseks tolmuimejaga toimige järgmiselt.

**Hoiatus!** Veenduge, et tööriist oleks välja lülitatud ja vooluvõrgust eemaldatud.

- ◆ Paigaldage tolmuemaldusliitmik (2) tööriista tagaküljel oleva adapteri külge.
- ◆ Ühendage sobiva tolmuimeja voolik liitmikuga.

### Sisse- ja väljalülitamine (joonis G)

**Hoiatus!** Enne tööriista ühendamist toiteallikaga veenduge, et see oleks välja lülitatud.

- ◆ Tööriista sisselülitamiseks vajutage toitelüliti (1) seda osa, millel on tähis I.
- ◆ Tööriista väljalülitamiseks vajutage toitelüliti (1) seda osa, millel on tähis O.

### Tarvikud

Seadme tööjõudlus on olenev kasutatavatest tarvikutest. BLACK+DECKERi tarvikute tootmisel on järgitud rangeid kvaliteedistandardeid ja silmas peetud teie tööriista jõudluse suurendamist. Meie tarvikud tagavad teie tööriista maksimaalse võimaliku tõhususe.

### Hooldus

Teie BLACK+DECKERi tööriist on loodud pikaajaliseks kasutamiseks ja vajab minimaalset hooldamist. Et tööriist teid pikka aega korralikult teeniks, tuleb seda nõuetekohaselt hooldada ja korrapäraselt puhastada.

Laadija ei vaja peale regulaarse puhastamise mingit hooldust.

**Hoiatus!** Enne tööriista hooldamist või puhastamist eemaldage selle küljest aku.

- ◆ Puhastage tööriista ventilatsiooniavasid regulaarselt pehme harja või kuiva lapiga.
- ◆ Puhastage mootori korpus regulaarselt niiske lapiga. Ärge kasutage abrasiivseid ega lahustipõhiseid puhastusvahendeid.

### Toitepistiku vahetamine (ainult Ühendkuningriik ja Iirimaa)

Kui on vaja paigaldada uus toitepistik, toimige järgmiselt.

- ◆ Kõrvaldage vana pistik ohutult.
- ◆ Ühendage pruun juhe uue pistiku faasiklemmiga.
- ◆ Ühendage sinine juhe nullklemmiga.

**Hoiatus!** Maandusklemmiga ühendusi ei tehta. Järgige kvaliteetsete pistikutega kaasasolevaid paigaldusjuhiseid. Soovitatav kaitses: 5 A.

### Keskonnakaitse



Jäätmete sortimine. Selle sümboliga märgistatud tooteid ei tohi kõrvaldada koos olmejäätmetega.

Seadmed ja akud sisaldavad aineid, mida saab eemaldada ja taaskasutada, et vähendada toorainepuudust. Elektriseadmed ja akud tuleb ringlusse võtta vastavalt kohalikele eeskirjadele. Lisateavet leiate aadressilt [www.2helpU.com](http://www.2helpU.com).

## Tehnilised andmed

BEW230		
Sisendpinge	V <sub>AC</sub>	230
Tarbitav võimsus	W	55
Tühikäigukiirus	p/min	11 000
Kaal	kg	0,8

## Helirõhu tase vastavalt standardile EN 62841:

Helirõhk (L<sub>pa</sub>) 65 dB(A), määramatus (K) 3 dB(A)  
Helivõimsus (L<sub>wa</sub>) 76 dB(A), määramatus (K) 3 dB(A)

## Vibratsiooni koguväärtused (kolme telje vektorsumma) vastavalt standardile EN 62841:

(a<sub>h</sub>) 12,5 m/s<sup>2</sup>, määramatus (K) 1,5 m/s<sup>2</sup>

## EÜ vastavusdeklaratsioon

MASINADIREKTIIV



Lihvasin BEW230

Black & Decker kinnitab, et jaotises „Tehnilised andmed“ kirjeldatud tooted vastavad järgmistele nõuetele:  
2006/42/EÜ, EN62841-1:2015, EN62841-2-4:2014.  
Need seadmed vastavad ka direktiividele 2014/30/EL ja 2011/65/EL. Lisateabe saamiseks võtke ühendust Black & Deckeriga alltoodud aadressil või vaadake kasutusjuhendi tagaküljel olevat infot.

Allakirjutanu vastutab tehnilise toimiku koostamise eest ja on vormistanud deklaratsiooni Black & Deckeri nimel.

*Patrick Diepenbach*

Patrick Diepenbach

General Manager, Benelux

Stanley FatMax, Egide Walschaertsstraat 14-18

2800 Mechelen, Belgium

24.08.2018

## Garantii

Black & Decker on oma toodete kvaliteedis kindel ja pakub tarbijatele 24-kuulist garantiid alates ostukuupäevast. See garantii täiendab teie seaduslikke õigusi ega piira neid kuidagi. Garantii kehtib Euroopa Liidu liikmesriikide territooriumil ja Euroopa vabakaubanduspiirkonnas.

Garantiinõude esitamiseks peab nõue olema kooskõlas Black & Deckeri kasutustingimustega ning müüjale või volitatud remonditöökojale tuleb esitada ostukuiviit. Black & Deckeri 2-aastase garantii kasutustingimused ja lähima volitatud remonditöökoja asukohta leiate veebiaadressilt [www.2helpu.com](http://www.2helpu.com) või võttes ühendust Black & Deckeri kohaliku esindusega kasutusjuhendis toodud aadressil.

Meie veebilehel [www.blackanddecker.co.uk](http://www.blackanddecker.co.uk) saate registreerida oma uue Black & Deckeri seadme ning tutvuda uudistoodete ja eripakkumistega.

## Použití výrobku

Vaše bruska BLACK+DECKER BEW230 je určena pro broušení a leštění dřeva, kovu, plastů a lakovaných povrchů. Toto nářadí je určeno pouze pro spotřebitelské použití.

## Bezpečnostní pokyny

## Všeobecné bezpečnostní pokyny pro práci s elektrickým nářadím



**Varování!** Prostudujte si všechny bezpečnostní výstrahy, pokyny, obrázky a technické údaje uvedené pro toto nářadí. Nedodržení níže uvedených varování a pokynů může vést k způsobení úrazu elektrickým proudem, k vzniku požáru nebo k vážnému zranění.

**Veškerá bezpečnostní varování a pokyny uschovejte pro budoucí použití.** Termín „elektrické nářadí“ ve všech upozorněních odkazuje na vaše nářadí napájené ze sítě (je opatřeno napájecím kabelem) nebo nářadí napájené baterií (bez napájecího kabelu).

- 1. Bezpečnost v pracovním prostoru**
  - a. Udržujte pracovní prostor čistý a dobře osvětlený.** Přeplněný a neosvětlený pracovní prostor může vést k způsobení úrazů.
  - b. Nepracujte s elektrickým nářadím ve výbušném prostředí, jako jsou například prostory s výskytem hořlavých kapalin, plynů nebo prašných látek.** V elektrickém nářadí dochází k jiskření, které může způsobit vznícení hořlavého prachu nebo výparů.
  - c. Při práci s elektrickým nářadím zajistěte bezpečnou vzdálenost dětí a ostatních osob.** Rozptylování může způsobit ztrátu kontroly nad nářadím.
- 2. Elektrická bezpečnost**
  - a. Zástrčka napájecího kabelu nářadí musí odpovídat zásuvce. Zástrčku nikdy žádným způsobem neupravujte. Nepoužívejte u uzemněného elektrického nářadí žádné upravené zástrčky.** Neupravené zástrčky a odpovídající zásuvky snižují riziko způsobení úrazu elektrickým proudem.
  - b. Nedotýkejte se uzemněných povrchů, jako jsou například potrubí, radiátory, elektrické sporáky a chladničky.** Při uzemnění vašeho těla vzrůstá riziko úrazu elektrickým proudem.
  - c. Nevystavujte elektrické nářadí dešti nebo vlhkému prostředí.** Vnikne-li do elektrického nářadí voda, zvýší se riziko úrazu elektrickým proudem.
  - d. S napájecím kabelem zacházejte opatrně. Nikdy nepoužívejte napájecí kabel k přenašení nebo posouvání nářadí a netehejte za něj, chcete-li nářadí odpojit od elektrické sítě.**

**Zabraňte kontaktu kabelu s mastnými, horkými a ostrými předměty nebo pohyblivými částmi.**

Poškozený nebo zauzlený napájecí kabel zvyšuje riziko úrazu elektrickým proudem.

- e. **Při práci s nářadím venku používejte prodlužovací kabely určené pro venkovní použití.** Práce s kabelem pro venkovní použití snižuje riziko úrazu elektrickým proudem.
  - f. **Musíte-li s elektrickým nářadím pracovat ve vlhkém prostředí, použijte napájecí zdroj s proudovým chráničem (RCD).** Použití proudového chrániče (RCD) snižuje riziko úrazu elektrickým proudem.
- 3. Bezpečnost osob**
- a. **Při použití elektrického nářadí zůstaňte stále pozorní, sledujte, co provádíte a pracujte s rozvahou.** Nepoužívejte elektrické nářadí, jste-li unaveni nebo jste-li pod vlivem drog, alkoholu nebo léků. Chvilka nepozornosti při práci s elektrickým nářadím může vést k vážnému zranění.
  - b. **Používejte prvky osobní ochrany. Vždy používejte ochranu zraku.** Ochranné prostředky jako respirátor, neklouzavá pracovní obuv, přilba a chrániče sluchu, používané v příslušných podmínkách, snižují riziko poranění osob.
  - c. **Zabraňte náhodnému spuštění nářadí. Před připojením zdroje napětí nebo před vložením baterie a před zvednutím nebo přenášením nářadí zkontrolujte, zda je spínač v poloze vypnuto.** Přenášení elektrického nářadí s prstem na spínači nebo připojení nářadí k napájecímu zdroji, je-li spínač nářadí v poloze zapnuto, může způsobit úraz.
  - d. **Před spuštěním z nářadí vždy odstraňte všechny klíče nebo seřizovací přípravky.** Seřizovací klíče ponechané na nářadí mohou být zachyceny rotujícími částmi nářadí a mohou způsobit úraz.
  - e. **Nepřekávejte sami sobě. Při práci vždy udržujte vhodný postoj a rovnováhu.** Tak je umožněna lepší ovladatelnost nářadí v neočekávaných situacích.
  - f. **Vhodně se oblékejte. Nenoste volný oděv nebo šperky. Dbejte na to, aby se vaše vlasy, oděv a rukavice nedostaly do kontaktu s pohyblivými částmi.** Volný oděv, šperky nebo dlouhé vlasy mohou být pohyblivými díly zachyceny.
  - g. **Jsou-li zařízení vybavena adaptérem pro připojení příslušenství k zachytávání prachu, zajistěte jeho správné připojení a řádnou funkci.** Použití těchto zařízení může snížit nebezpečí týkající se prachu.
  - h. **Nedovolte, aby častým používáním nářadí došlo k familiárnosti, abyste se stali samolibými a abyste ignorovali zásady bezpečnosti.** Bezstarostnost může způsobit vážné zranění během zlomku sekundy.

#### 4. Použití elektrického nářadí a jeho údržba

- a. **Nepřetěžujte elektrické nářadí. Používejte pro prováděnou práci správný typ nářadí.** Při použití správného typu nářadí bude práce provedena lépe a bezpečněji.
  - b. **Pokud nelze spínač nářadí zapnout a vypnout, s nářadím nepracujte.** Každé elektrické nářadí s nefunkčním spínačem je nebezpečné a musí být opraveno.
  - c. **Před seřizováním nářadí, před výměnou příslušenství, nebo pokud nářadí nepoužíváte, odpojte zástrčku napájecího kabelu od zásuvky nebo z nářadí vyjměte baterii.** Tato preventivní bezpečnostní opatření snižují riziko náhodného spuštění nářadí.
  - d. **Uložte elektrické nářadí mimo dosah dětí a nedovolte ostatním osobám, které toto nářadí neumí ovládat nebo které neznají tyto bezpečnostní pokyny, aby s tímto elektrickým nářadím pracovaly.** Elektrické nářadí je v rukou nekalifikované obsluhy nebezpečné.
  - e. **Provádějte údržbu elektrického nářadí. Zkontrolujte vychýlení nebo zablokování pohyblivých částí, poškození jednotlivých dílů a jiné okolnosti, které mohou ovlivnit chod nářadí. Pokud je nářadí poškozeno, nechejte jej opravit.** Mnoho nehod bývá způsobeno zanedbanou údržbou nářadí.
  - f. **Udržujte řezné nástroje ostré a čisté.** Řádně udržované řezné nástroje s ostrými řeznými břity jsou méně náchylné k zablokování a lépe se s nimi pracuje.
  - g. **Používejte toto elektrické nářadí, příslušenství a pracovní nástroje podle těchto pokynů a berte v úvahu provozní podmínky a práci, která bude prováděna.** Použití elektrického nářadí k jiným účelům, než k jakým je určeno, může být nebezpečné.
  - h. **Udržujte rukojeti a všechny povrchy pro uchopení čisté a suché a dbejte na to, aby nebyly znečištěny olejem nebo mazivy.** Kluzké rukojeti a povrchy pro uchopení neumožňují bezpečnou manipulaci a ovladatelnost nářadí v neočekávaných situacích.
- 6. Servis**
- a. **Opravy elektrického nářadí svěřte pouze kvalifikovanému technikovi, který bude používat originální náhradní díly.** Tím zajistíte bezpečný provoz nářadí.

#### Doplňkové bezpečnostní pokyny pro práci s elektrickým nářadím



**Varování!** Další bezpečnostní pokyny týkající se brusek

- ◆ **Držte elektrické nářadí za izolované rukojeti, protože může dojít ke kontaktu brusného základny s vlastním napájecím kabelem.**

Kontakt s „živým“ vodičem způsobí, že neizolované kovové části elektrického nářadí budou také „živé“, což může obsluhu způsobit úraz elektrickým proudem.

- ◆ **Pro zajištění a upnutí obrobku k pracovnímu stolu používejte svorky nebo jiné vhodné prostředky.** Držení obrobku rukou nebo opření obrobku o část těla nezajistí jeho stabilitu a může vést k ztrátě kontroly.
- ◆ **Varování! Vyvarujte se kontaktu nebo vdechnutí prachu vzniklého při práci s tímto nářadím. Tento prach může ohrožovat zdraví obsluhy a okolo stojících osob.** Používejte masku proti prachu určenou speciálně na ochranu před toxickým prachem a podobnými látkami a zajistěte, aby byly takto chráněny všechny osoby nacházející se nebo vstupující do pracovního prostoru.
- ◆ **Po broušení odstraňte všechen prach.**
- ◆ **Buďte velmi opatrní při broušení nátěrů, které mohou obsahovat olovo nebo při broušení určitých druhů dřeva a kovu, při kterém může vznikat toxický prach:**
  - ◆ **Zamezte vstupu dětí a těhotných žen do pracovního prostoru.**
  - ◆ **V pracovním prostoru nejezte, nepijte a nekuřte.**
  - ◆ **Zajistěte bezpečnou likvidaci prachu a ostatních nečistot.**
- ◆ **V tomto návodu je popsáno určené použití tohoto nářadí.**

Použití jiného příslušenství nebo přídavného zařízení a provádění jiných pracovních operací, než je doporučeno tímto návodem, může představovat riziko zranění obsluhy nebo riziko způsobení hmotných škod.

### Bezpečnost ostatních osob

- ◆ Tento výrobek není určen k použití osobami (včetně dětí) se sníženými fyzickými, smyslovými nebo duševními schopnostmi, nebo s nedostatkem zkušeností a znalostí, pokud těmto osobám nebyl stanoven dohled, nebo pokud jim nebyly poskytnuty instrukce týkající se použití výrobku osobou odpovědnou za jejich bezpečnost.
- ◆ Děti musí být pod dozorem, aby bylo zajištěno, že si s tímto zařízením nebudou hrát.

### Zbytková rizika

Je-li toto zařízení používáno jiným způsobem, než je uvedeno v příložených bezpečnostních varováních, mohou se objevit dodatečná zbytková rizika. Tato rizika mohou vzniknout v důsledku nesprávného použití, dlouhodobého použití atd. Přestože jsou dodržovány příslušné bezpečnostní předpisy a jsou používána bezpečnostní zařízení, určitá zbytková rizika nemohou být vyloučena. Tato rizika jsou následující:

- ◆ Zranění způsobená kontaktem s jakoukoli rotující nebo pohybující se částí.
- ◆ Zranění způsobená při výměně dílů, nožů nebo příslušenství.

- ◆ Zranění způsobená dlouhodobým použitím nářadí. Používáte-li jakékoli nářadí delší dobu, zajistěte, aby byly prováděny pravidelné přestávky.
- ◆ Poškození sluchu.
- ◆ Zdravotní rizika způsobená vdechováním prachu vytvářeného při použití nářadí (například práce se dřevem, zejména s dubovým, bukovým a MDF).

### Vibrace

Deklarovaná úroveň vibrací uvedená v technických údajích a v prohlášení o shodě byla měřena v souladu se standardní zkušební metodou předepsanou normou EN62841 a může být použita pro srovnání jednotlivých nářadí mezi sebou. Deklarovaná úroveň vibrací může být také použita k předběžnému stanovení doby práce s tímto nářadím.

**Varování!** Úroveň vibrací při aktuálním použití elektrického nářadí se může od deklarované úrovně vibrací lišit v závislosti na způsobu použití nářadí. Úroveň vibrací může být vzhledem k uvedené hodnotě vyšší.

Při stanovení doby působení vibrací z důvodu určených bezpečnostních opatření podle požadavků normy 2002/44/EC k ochraně osob pravidelně používajících elektrické nářadí v zaměstnání, musí předběžný odhad působení vibrací brát na zřetel aktuální podmínky použití nářadí s přihlednutím na všechny části pracovního cyklu, jako jsou doby, při které je nářadí vypnuto a kdy běží naprázdno.

### Štítky na nářadí

Na nářadí jsou společně s datovým kódem následující piktogramy:



**Varování!** Z důvodu snížení rizika způsobení úrazu si uživatel musí přečíst návod k použití.

### Elektrická bezpečnost



Toto zařízení je opatřeno dvojitou izolací. Proto není nutné použití uzemňovacího vodiče. Vždy zkontrolujte, zda napájecí napětí sítě odpovídá napětí na výkonovém štítku.

- ◆ Je-li poškozen napájecí kabel, musí být vyměněn výrobcem nebo v autorizovaném servisu BLACK+DECKER, aby bylo zabráněno možným rizikům.

### Popis

Tento výrobek se skládá z některých nebo ze všech následujících částí.

1. Spínač zapnuto/vypnuto
2. Přípojka pro odsávání prachu
3. Základna
4. Držák špičky
5. Špička brusné základny
6. Úzký nástavec\*
7. Šroub
8. Špička ve tvaru kosočtverce

Nářadí se kromě toho dodává s některým nebo veškerým následujícím příslušenstvím:

Příslušenství	Doporučená aplikace a použití
Brusný papír s hrubou zrnitostí	Rychlé odstraňování barvy, laku a rzi
Brusný papír se střední zrnitostí	Odstraňování barvy, laku a rzi
Brusný papír s jemnou zrnitostí	Sjednocování a konečná úprava povrchu
Brusný papír s velmi jemnou zrnitostí	Broušení mezi jednotlivými vrstvami
Špičky pro broušení detailů	Rohy a špatně přístupná místa
Leštící/čisticí vlna 1 OT	Leštění kovů, odstraňování laků a čištění skla
Šedá leštící houba	Aplikace a odstranění leštidla
Červená netkaná textilie	Náročné čištění a odstraňování rzi
Šedý brusný papír	Leštění plastů

**\*Uvědomte si prosím:** Úzké příslušenství (6) nemusí být dodáváno se všemi modely. Kompletní příslušenství můžete zakoupit u nejbližšího autorizovaného prodejce BLACK+DECKER nebo na našich internetových stránkách: [www.blackanddecker.co.uk](http://www.blackanddecker.co.uk).

## Sestavení

**Varování!** Před sestavením se ujistěte, zda je nářadí vypnuto a zda je napájecí kabel odpojen od síťové zásuvky.

## Upevnění listů brusného papíru (obr. A a B)

- ◆ Oddělte od brusného listu (9) dvě špičky ve tvaru kosočtverce (8).
- ◆ Držte nářadí tak, aby byla brusná základna nahoře.
- ◆ Položte na brusnou základnu list brusného papíru (9) a ujistěte se, zda jsou otvory v brusném papíru srovnány s otvory v základně.

Je-li špička ve tvaru kosočtverce (8) opotřebována, může být obrácena a potom vyměněna.

- ◆ Je-li přední část špičky opotřebovaná, oddělte ji od listu, obraťte ji a znovu ji přitiskněte k brusné základně.
- ◆ Jakmile bude opotřebována celá špička, sejměte ji z brusné základny a použijte novou špičku.
- ◆ Leštící houbu a podložky (14) lze upevnit stejně jako listy brusného papíru.

## Špička brusné základny (obr. D)

Jakmile budou špičky brusné základny (5) nebo držáky špičky (4) opotřebovány, mohou být otočeny nebo vyměněny. Náhradní díly si můžete zakoupit u autorizovaného prodejce BLACK+DECKER.

- ◆ Vyšroubujte šroub (7).
- ◆ Otočte nebo vyměňte opotřebovaný díl.
- ◆ Zašroubujte a utáhněte šroub.

## Úzký prstový nástavec (obr. D)

Úzký prstový nástavec je používán pro jemné broušení detailů.

- ◆ Vyšroubujte šroub (7).
- ◆ Sejměte z brusné základny držák špičky ve tvaru kosočtverce (4).
- ◆ Připevňte k brusné základně úzký nástavec (6).
- ◆ Zašroubujte a utáhněte šroub.
- ◆ Upevněte na úzký prstový nástavec odpovídající brusný list (11).

## Použití

**Varování!** Nechejte nářadí pracovat jeho vlastním tempem. Zamezte přetěžování.

**Varování!** Při provozu nářadí nezakrývejte větrací otvory. Nářadí držte způsobem znázorněným na obr. H. Dbejte na to, aby byla brusná základna naplocho na obrobku.

## Připojení odsávacího zařízení (obr. F)

Nářadí je vybaveno adaptérem pro připojení odsávacího zařízení při broušení dřeva. Při připojování nářadí k odsávacímu zařízení postupujte následovně:

**Varování!** Ujistěte se, zda je nářadí vypnuto a zda je napájecí kabel odpojen od síťové zásuvky.

- ◆ Nasadte přípojku pro odsávání prachu (2) na adaptér na zadní části nářadí.
- ◆ Připojte k přípojce hadici vhodného zařízení pro odsávání prachu.

## Zapnutí a vypnutí (obr. G)

**Varování!** Před připojením napájení zkontrolujte, zda je nářadí vypnuto.

- ◆ Chcete-li nářadí zapnout, stiskněte spínač zapnuto/vypnuto (1) s označením „I“.
- ◆ Chcete-li nářadí vypnout, stiskněte spínač zapnuto/vypnuto (1) s označením „0“.

## Příslušenství

Výkon vašeho nářadí závisí na používaném příslušenství. Příslušenství BLACK+DECKER jsou navržena a vyrobena podle norem pro vysokou kvalitu a jsou určena pro zvýšení výkonu vašeho zařízení. Použitím tohoto příslušenství docílíte nejlepšího výsledku, jaký vám vaše nářadí může poskytnout.

## Údržba

Vaše nářadí BLACK+DECKER bylo zkonstruováno tak, aby pracovalo po dlouhou dobu s minimálními nároky na údržbu. Řádná péče o nářadí a jeho pravidelné čištění vám zajistí jeho bezproblémový chod.

Vaše nabíječka nevyžaduje žádnou údržbu mimo pravidelné čištění.

**Varování!** Před prováděním jakékoli údržby nebo čištění nářadí odpojte jeho napájecí kabel od síťové zásuvky.

- ◆ Větrací otvory nářadí pravidelně čistěte měkkým kartáčem nebo suchým hadříkem.
- ◆ Pomocí vlhkého hadříku pravidelně čistěte kryt motoru. Nepoužívejte žádné abrazivní čisticí prostředky nebo rozpouštědla.

## Výměna síťové zástrčky (pouze pro Velkou Británii a Irsko)

Budete-li instalovat novou zástrčku napájecího kabelu:

- ◆ Bezpečně zlikvidujte starou zástrčku.
- ◆ Připojte hnědý vodič k svorce pod napětím na nové zástrčce.
- ◆ Modrý vodič připojte k nulové svorce.

**Varování!** Na zemnici svorku nebude připojen žádný vodič. Dodržujte montážní pokyny dodávané s kvalitními zástrčkami. Doporučená pojistka: 5 A.

## Ochrana životního prostředí



Trďte odpad. Výrobky a baterie označené tímto symbolem nesmí být vyhozeny do běžného domácího odpadu.

Výrobky a baterie obsahují materiály, které mohou být obnoveny nebo recyklovány, což snižuje poptávku po surovinách. Provádějte prosím recyklaci elektrických výrobků a baterií podle místních předpisů. Další informace naleznete na internetové adrese [www.2helpU.com](http://www.2helpU.com).

## Technické údaje

BEW230		
Vstupní napětí	V	230
Příkon	W	55
Otáčky naprázdno	min <sup>-1</sup>	11 000
Hmotnost	kg	0,8

### Hladina akustického tlaku podle normy EN 62841:

Akustický tlak ( $L_{WA}$ ) 65 dB (A), odchylka (K) 3 dB (A)  
Akustický výkon ( $L_{WA}$ ) 76 dB(A), odchylka (K) 3 dB(A)

### Celková úroveň vibrací (prostorový vektorový součet) podle normy EN 62841:

( $a_h$ ) 12,5 m/s<sup>2</sup>, odchylka (K) 1,5 m/s<sup>2</sup>

## Prohlášení o shodě

SMĚRNICE PRO STROJNÍ ZAŘÍZENÍ



Bruska BEW230

Společnost Black & Decker prohlašuje, že produkty popsané v technických údajích splňují požadavky následujících norem: 2006/42/EC, EN62841-1:2015, EN62841-2-4:2014.

Tyto výrobky splňují také požadavky směrnice 2014/30/EU a 2011/65/EU. Chcete-li získat další informace, kontaktujte prosím společnost Black & Decker na následující adrese nebo na adresách, které jsou uvedeny na konci tohoto návodu.

Níže podepsaná osoba je odpovědná za sestavení technických údajů a provádí toto prohlášení v zastoupení společnosti Black & Decker.

*Patrick Diepenbach*

Patrick Diepenbach  
General Manager, Benelux  
Stanley FatMax,  
Egide Walschaertsstraat 14-18  
2800 Mechelen, Belgium  
24. 8. 2018

## Záruka

Společnost Black & Decker je přesvědčena o kvalitě svých výrobků a nabízí spotřebitelům záruku 24 měsíců od data zakoupení. Tato záruka je nabízena ve prospěch zákazníka a nijak neovlivní jeho zákonná záruční práva. Tato záruka je platná ve všech členských státech EU a evropské zóny volného obchodu EFTA.

Požadujete-li reklamaci v rámci záruky, tato reklamacie musí splňovat obchodní podmínky společnosti Black & Decker a prodejci nebo autorizovanému servisu budete muset předložit doklad o zakoupení.

Obchodní podmínky týkající se záruky společnosti Black & Decker v trvání 2 let a adresu nejbližšího autorizovaného servisu naleznete na internetové adrese [www.2helpU.com](http://www.2helpU.com), nebo kontaktujte nejbližšího autorizovaného prodejce Black & Decker na adrese uvedené v tomto návodu.

Navštivte prosím naše internetové stránky [www.blackanddecker.co.uk](http://www.blackanddecker.co.uk), kde můžete zaregistrovat váš nový výrobek Black & Decker a kde můžete získat informace o našich nových výrobcích a speciálních nabídkách.

**STANLEY BLACK & DECKER CZECH REPUBLIC S.R.O.**

Tůrkova 5b  
149 00 Praha 4  
Česká Republika  
Tel.: 00420 261 009 772  
Fax: 00420 261 009 784  
Servis: 00420 244 403 247  
www.blackanddecker.cz  
obchod@sbdinc.com

**STANLEY BLACK & DECKER SLOVAKIA S.R.O.**

Vysoká 2/b  
811 06 Bratislava  
Tel.: 00420 261 009 772  
Fax: 00420 261 009 784  
www.blackanddecker.sk  
obchod@sbdinc.com

**BAND SERVIS**

K Pasekám 4440  
760 01 Zlín  
Tel.: 00420 577 008 550,1  
Fax: 00420 577 008 559  
www.bandservis.cz  
bandservis@bandservis.cz

**BAND SERVIS**

Klásterského 2  
140 00 Praha 4  
Tel.: 00420 244 403 247  
Fax: 00420 241 770 167  
j.kraus@bandservis.cz  
www.bandservis.cz  
bandservis@bandservis.cz

**BAND SERVIS**

Paulínska 22  
917 01 Trnava  
Tel.: 00421 335 511 063  
Fax: 00421 335 512 624  
www.bandservis.sk  
p.talajka@bandservis.sk

**BAND SERVIS**

Južná trieda 17 (budova TWD)  
040 01 Košice  
Tel.: 00421 556 233 155  
bandserviske@zoznam.sk

## Rendeltetésszerű használat

Az Ön BLACK+DECKER BEW230 csiszolóját fa, fémek, műanyagok és festett felületek csiszolására és polírozására terveztük. Iparszerű felhasználásra nem alkalmas.

## Biztonsági útmutatások

### Általános biztonságtechnikai figyelmeztetések elektromos szerszámokhoz



**Figyelmeztetés!** Olvassa át a szerszámhoz mellékelt összes biztonsági figyelmeztetést, útmutatást, szemléltető ábrát és műszaki adatot. Az alábbi figyelmeztetések és útmutatások figyelmen kívül hagyása áramütést, tüzet és/vagy súlyos személyi sérülést okozhat.

**Őrizze meg a figyelmeztetéseket és az útmutatót későbbi használatra.** Az „elektromos szerszám” kifejezés a figyelmeztetéseken az Ön által használt hálózati (vezetékes) vagy akkumulátoros (vezeték nélküli) elektromos szerszámot jelenti.

#### 1. A munkaterület biztonsága

- a. **A munkaterületet tartsa tisztán, és világítsa meg jól.**  
A rendetlen vagy sötét munkaterület vonzza a baleseteket.
- b. **Ne használja az elektromos szerszámokat robbanásveszélyes légtérben, például ahol gyúlékony folyadékok, gázok vagy por vannak jelen.** Elektromos szerszámok használatakor szikra keletkezhet, amely begyűjtheti a port vagy gázt.
- c. **Az elektromos szerszám használatá közben tartsa távol a gyerekeket és a nézelődőket.** Ha eltérnek a figyelmét, elveszítheti a szerszám feletti uralmát.

#### 2. Elektromos biztonság

- a. **Az elektromos szerszám csatlakozódugója a hálózati csatlakozóaljzat kialakításának megfelelő legyen.**  
**Soha, semmilyen módon ne alakítsa át a csatlakozódugót.** Földelt elektromos szerszámokhoz ne használjon adapter dugaszt. Eredeti (nem átalakított) csatlakozódugó és ahhoz illő konnektor használata mellett kisebb az áramütés veszélye.
- b. **Ügyeljen arra, hogy teste ne érintkezze földelt felületekkel, például csővezetékekkel, radiátorral, tűzhellyel vagy hűtőszekrényvel.** Ha a teste leföldelődik, nagyobb az áramütés veszélye.
- c. **Esőtől és egyéb nedvességtől óvja az elektromos szerszámokat.** Ha víz kerül az elektromos szerszámra, nagyobb az áramütés veszélye.
- d. **Gondosan bánjon a kábellel.** Az elektromos szerszámot soha ne a tápkábelnél fogva hordozza vagy húzza, a dugaszát pedig ne a kábelnél fogva húzza ki a konnektorból.

**Óvja a kábel hőtől, olajtól, éles szélektől és mozgó alkatrészekről.** Sérült vagy összetekeredett hálózati kábel használata mellett nagyobb az áramütés veszélye.

- e. **Ha a szabadban használja az elektromos szerszámot, kültéri használatra alkalmas hosszabbító kábelt vegyen igénybe.** Annak használatával kisebb az áramütés veszélye.
  - f. **Ha az elektromos szerszám nedves helyen való használata elkerülhetetlen, az elektromos biztonság növelhető egy hibaáramvédő kapcsoló (RCD) előkapcsolásán keresztül.** RCD használata mellett kisebb az áramütés veszélye.
3. **Személyes biztonság**
    - a. **Soha ne veszítse el éberségét, figyeljen a munkájára, használja a józan esztét, amikor elektromos szerszámmal dolgozik. Ne használja a szerszámot, ha fáradt, ha gyógyszer, alkohol hatása vagy gyógykezelés alatt áll.** Elektromos szerszám használatkor egy pillanatnyi figyelmetlenség is súlyos személyi sérülést okozhat.
    - b. **Használjon személyi védőfelszerelést. Mindig viseljen védőszemüveget.** A védőfelszerelések, például porvédő maszk, biztonsági csúszásmentes cipő, védősisak vagy hallásvédő csökkentik a személyi sérülés veszélyét.
    - c. **Gondoskodjon arról, hogy a szerszám ne indulhasson be véletlenül.** Ellenőrizze, hogy az indítókapcsoló kikapcsolt állásban van-e, mielőtt a hálózatra és/vagy akkumulátorra kapcsolja, a kezébe veszi vagy magával viszi a szerszámot. Ha az elektromos szerszám hordozása közben az ujját a kapcsolón tartja, vagy bekapcsolt szerszámot helyez áram alá, balesetet okozhat.
    - d. **Mielőtt bekapcsolja az elektromos szerszámot, vegye le róla a szerelőkulcsot.** Forgó alkatrészen felejtett kulcs a szerszám beindulásakor személyi sérülést okozhat.
    - e. **Ne nyúljon ki túlságosan messzire.** Kerülje a rendellenes testtartást, és egyensúlyát soha ne veszítse el munkavégzés közben. Így jobban irányíthatja a szerszámot, még váratlan helyzetekben is.
    - f. **Megfelelő öltözéket viseljen. Ne hordjon ékszert vagy laza ruházatot munkavégzés közben.** Haját, ruházatát és kesztyűjét tartsa távol a mozgó alkatrészekről. A laza öltözék, ékszerek vagy hosszú haj beakadhatnak a mozgó részekbe.
    - g. **Ha a szerszámon megtalálható a porszivási lehetőség, vagy a porzsák, úgy ügyeljen arra, hogy megfelelően csatlakoztassa és használja ezeket munka közben.** Porszivó berendezés használatával nagymértékben csökkenthető a por okozta veszélyek.



**h. Ne engedje, hogy a szerszámok gyakori használata során szerzett tapasztalatai túlzott biztonságérzetet keltsenek Önben, és amiatt elhanyagolja a biztonsági alapelveket.** Gondatlan cselekvés már a másodperc törtérze alatt is súlyos sérülést okozhat.

#### 4. Elektromos szerszámok használata és gondozása

**a. Ne erőltesse az elektromos szerszámot. A célnak megfelelő elektromos szerszámot használja.**

A megfelelő szerszámmal jobban és biztonságosabban elvégezheti a munkát, ha a teljesítmény kategóriájának megfelelően használja.

**b. Ne használja az elektromos szerszámot, ha a kapcsoló nem működőképes.** Bármely elektromos szerszám használata, amely nem irányítható megfelelően az indítókapcsolóval, nagyon veszélyes, ezért azonnal meg kell javíttatni a kapcsolót, ha sérült vagy nem működőképes.

**c. Mielőtt beállítást végez vagy változtat, vagy tartozékot cserél a szerszámon, illetve mielőtt eltávolítja, húzza ki a dugaszát a konnektorból és/vagy válassza le az akkumulátorról.** Ezekkel a megelőző biztonságtechnikai intézkedésekkel csökkenti a szerszám véletlen beindulásának veszélyét.

**d. A használaton kívüli elektromos szerszámot olyan helyen tárolja, ahol gyermekek nem férhetnek hozzá; és ne engedje, hogy olyan személyek használják, akik nem ismerik a szerszámot vagy ezeket az útmutatásokat.** Az elektromos szerszámok nem képzett felhasználó kezében veszélyt jelentenek.

**e. Tartsa karban az elektromos szerszámokat.**

Ellenőrizze a részegységeket, olajozásukat, esetleg előforduló töréseit, a kézvédő vagy a kapcsoló sérüléseit és minden olyan rendellenességet, amely befolyásolhatja a szerszám használatát. Ha a szerszám sérült, használat előtt javíttassa meg.

A nem megfelelően karbantartott elektromos szerszámok számos balesetet okoznak.

**f. Tartsa élesen és tisztán a vágószerszámokat.**

A megfelelően karbantartott éles vágószerszám beszorulásának kisebb a valószínűsége, és könnyebben irányítható.

**g. Az elektromos szerszámot, tartozékokat, szerszámszárakat stb. ezeknek az útmutatásoknak megfelelően használja, a munkakörülmények és az elvégzendő feladat figyelembevételével.** Az elektromos szerszám nem rendeltetésszerű használata veszélyhelyzetet teremthet.

**h. A fogantyúkat és a markolási felületeket tartsa szárazon és tisztán, olajtól és zsírtól mentesen.**

Váratlan helyzetekben nem kezelhető és irányítható biztonságosan a szerszám, ha a fogantyúja vagy egyéb markolási felülete csúszós.

#### 6. Szerviz

**a. A szerszámot csak képzett szakemberrel javíttassa, és csak eredeti gyári alkatrészeket használjon fel.** Ezzel biztosítja az elektromos szerszám folyamatosan biztonságos működését.

#### További biztonságtechnikai figyelmeztetések elektromos szerszámokhoz



**Figyelmeztetés!** További biztonságtechnikai figyelmeztetések csiszolókhöz.

- ◆ **Az elektromos szerszámot csak a szigetelt markolási felületeinél tartsa, mert előfordulhat, hogy a csiszolófelülete hozzáér a szerszám kábeléhez.** Ha áram alatt lévő vezetékkel elvágja, az elektromos szerszám fém alkatrészei is áram alá kerülhetnek, és a kezelő áramütést szenvedhet.
- ◆ **Szorítókkal vagy más praktikus módon stabil felülethez biztonságosan rögzítse a munkadarabot.** Ha a kezében tartja, vagy a testéhez szorítja, az instabilan válik. Ön pedig elveszítheti a szerszám feletti uralmát.
- ◆ **Figyelmeztetés! A csiszolás során keletkező porral való érintkezés vagy annak belélegzése veszélyes lehet a kezelő és a közelben tartózkodók egészségére.** Hordjon a por és gőzök belélegzésének megakadályozására készült pomaszkot, és ügyeljen arra, hogy a munkaterületre belépők is viseljenek megfelelő védőeszközöket.
- ◆ **Csiszolás után gondosan távolítsa el a port.**
- ◆ **Különös elővigyázattal csiszoljon olyan munkadarabot, amelynek a festéke ólmot tartalmazhat, vagy olyan faanyagot és fémeket, amelynek csiszolásánál mérgező por keletkezik:**
  - ◆ **Gyermekeket és terhes nőket ne engedjen be a munkaterületre.**
  - ◆ **A munkaterületen ne egyen, ne igyon, ne dohányozzon.**
  - ◆ **A porszemcséket és az egyéb törmelékét biztonságosan ártalmatlanítsa.**
- ◆ **A szerszám rendeltetésszerű használatát ebben a kezelési útmutatóban ismertetjük.** A kezelési útmutatóban nem ajánlott tartozék vagy kiegészítő használata, illetve itt fel nem sorolt műveletek végzése személyi sérülés és/vagy dologi kár veszélyével jár.

#### Mások biztonsága

- ◆ Ezt a szerszámot nem használhatják olyan személyek (a gyermekeket is beleértve), akik nincsenek fizikai, érzékelési vagy mentális képességeik teljes birtokában, vagy nincs meg a szükséges tapasztalatuk és tudásuk, kivéve, ha a biztonságukért felelős személy felügyel rájuk, vagy megtanítja őket a készülék használatára.

- ◆ Ügyeljen a gyerekekre, hogy ne játszhassanak a szerszámmal.

## Maradványkockázatok

A szerszám használata további, a biztonsági figyelmeztetések között esetleg fel nem sorolt maradványkockázatokkal is járhat. Ezek a szerszám nem rendeltetésszerű vagy hosszú idejű használatából stb. adódhatnak.

Bizonyos kockázatok a vonatkozó biztonsági előírások betartása és a védőeszközök használata ellenére sem kerülhetők el. Ezek a következők lehetnek:

- ◆ forgó-mozgó alkatrészek megérintése miatti sérülések;
- ◆ alkatrészek, vágótartozékok vagy egyéb tartozékok cseréje közben bekövetkező sérülések;
- ◆ a szerszám hosszú idejű használata miatti sérülések - ha hosszú ideig használja, rendszeresen iktasson be szüneteket;
- ◆ halláskárosodás;
- ◆ a használat közben keletkező por belégzése miatti egészségkárosodás, különös tekintettel a tölgy, bükk és rétegelt lemez anyagok esetén.

## Súlyozott effektív rezgésgyorsulás

A műszaki adatlapon és a megfelelőségi nyilatkozatban feltüntetett súlyozott effektív rezgésgyorsulási értékeket az EN62841 szabványnak megfelelően határoztuk meg, így azok felhasználhatók az egyes szerszámoknál mért értékek összehasonlítására is. A megadott érték felhasználható a súlyozott effektív rezgésgyorsulásnak való kitettség mértékének előzetes becsüléséhez is.

**Figyelmeztetés!** A tényleges súlyozott effektív rezgésgyorsulási érték az elektromos szerszám használata során a használat módjától függően eltérhet a feltüntetett értéktől. A tényleges súlyozott effektív rezgésgyorsulás szintje az itt feltüntetett szint fölé is emelkedhet.

A 2002/44/EK irányelv által a szerszámmal rendszeresen dolgozók számára megkövetelt szükséges biztonsági intézkedések meghatározásához végzett, a súlyozott effektív rezgésgyorsulásnak való kitettség értékelésénél a napi kitettséget jelentő időn túl figyelembe kell venni a tényleges használat körülményeit, illetve azt, hogy a szerszámot hogyan használják, ideértve a munkafolyamat minden egyes részét, pl. azokat az időszakokat is, amikor a szerszám ki van kapcsolva vagy üresen jár.

## Címkék a szerszámon

A szerszámon a dátumkóddal együtt a következő szimbólumok láthatók:



**Figyelmeztetés!** A sérülésveszély csökkentése végett olvassa el a kezelési útmutatót.

## Elektromos biztonság



Ez a szerszám kettős szigetelésű; ezért nincs szükség földelésre. Mindig ellenőrizze, hogy az áramforrás megfelel-e az adattáblán feltüntetett feszültségnek.

- ◆ Ha a hálózati kábel sérült, a veszély elkerülése érdekében cseréltesse ki a gyártóval vagy egyik megbízott BLACK+DECKER szakszervizzel.

## Részegységek

Ez a készülék a következő részegységek némelyikét vagy mindegyikét tartalmazza:

1. Üzemi kapcsoló
2. Porelszívó csatlakozó
3. Talp
4. Csúcstartó
5. Csiszolótalp csúcsa
6. Ujjcsiszoló feltét\*
7. Csavar
8. Rombusz alakú csúcs

Mindezekon kívül a szerszám a következő tartozékok némelyikével vagy mindegyikével is fel van szerelve:

Tartozék	Javasolt alkalmazási és felhasználási terület
Durva szemcsés csiszolópapír	Festék, lakk és rozsdá gyors eltávolítása
Közepes szemcsésű csiszolópapír	Festék, lakk és rozsdá eltávolítása
Finom szemcsésű csiszolópapír	Felület homogenizálása és végső megmunkálása
Extra finom szemcsésű csiszolópapír	Csiszolás bevonatok között
Típek deltacsiszolóshoz	Sarkok és nehezen hozzáférhető helyek
1 OT polírozó/csiszoló gyapjú	Fémpolírozás, lakkeltávolítás és üvegtisztítás
Szürke habzivacs párna	Polírozás felvitele és eltávolítása
Piros nem-szövet párna	Erős dörzsölés és rozsdaeltávolítás
Szürke csiszolópapír	Műanyagok polírozása

\***Kérjük, tartsa szem előtt:** Az ujjcsiszoló feltét (6) nem minden szerszám mellékelte tartozéka. Minden tartozékot beszerezhet BLACK+DECKER kereskedőjétől vagy az interneten: [www.blackanddecker.co.uk](http://www.blackanddecker.co.uk).

## Összeszerelés

**Figyelmeztetés!** Összeszerelés előtt győződjön meg arról, hogy a szerszám ki van kapcsolva, és áramtalanítva van.

### Csiszolólappal felhelyezése (A és B ábra)

- ◆ Válassza le a két rombusz alakú csúcscot (8) a csiszolópapírról (9).
- ◆ Úgy tartsa úgy a szerszámot, hogy a csiszolóalappal felfelé nézzen.
- ◆ Helyezze a csiszolóalapot (9) a csiszolóalpra úgy, hogy a csiszolóalpon levő lyukak a talpon levő lyukakkal pontosan egybeessenek.

A rombusz alakú csiszolócsúcs (8) megfordítható, illetve kicserélhető, amikor már elkopott.

- ◆ Amikor a csiszolócsúcs eleje elkopott, vegye le a csiszolóalpról, fordítsa meg, és illessze újból a csiszolóalpra.
- ◆ Amikor az egész csiszolócsúcs elkopott, távolítsa el a csiszolóalpról és helyezzen fel egy új csúcscot.
- ◆ A polírozó habszivacs és párnák (14) ugyanúgy illeszthetők fel, mint a csiszolóalpok.

### A csiszolóalappal csúcsa (D ábra)

Amikor a csiszolóalppal csúcsa (5) vagy a csúcs tartója (4) elkopott, meg lehet fordítani, vagy ki lehet cserélni. Tartalékalkatrészeket BLACK+DECKER forgalmazójától szerezhet be.

- ◆ Csavarja ki a csavart (7).
- ◆ Fordítsa meg vagy cserélje ki az elkopott alkatrészt.
- ◆ Csavarja be és húzza meg a csavart.

### Ujjcsiszoló feltét (D ábra)

Az ujjcsiszoló feltét finom deltacsiszolásra használható.

- ◆ Csavarja ki a csavart (7).
- ◆ Távolítsa el a rombusz alakú csúcstartót (4) a csiszolóalpról.
- ◆ Helyezze fel az ujjcsiszoló feltétet (6) a csiszolóalpra.
- ◆ Csavarja be és húzza meg a csavart.
- ◆ Illessze fel a megfelelő csiszolópapírt (11) az ujjcsiszoló feltételre.

### Használat

**Figyelmeztetés!** Hagyja a szerszámot a saját tempójában működni. Ne terhelje túl.

**Figyelmeztetés!** A szerszám használata közben ne takarja le a szellőzőréseket. Úgy tartsa a szerszámot, ahogyan a H ábrán látja. Ügyeljen arra, hogy csiszolóalppal laposan álljon a munkadarabon.

### Porszívó csatlakoztatása (F ábra)

A szerszámon van egy adapter, amelyre fa csiszolása esetén porszívó csatlakoztatható. A következő módon csatlakoztassa a szerszámot porszívóhoz:

**Figyelmeztetés!** Kapcsolja ki és áramtalanítsa a szerszámot.

- ◆ Illessze a porszívó csatlakozót (2) a szerszám hátsó részénél levő adapterre.
- ◆ Csatlakoztassa egy megfelelő porszívó tömlőjét a csatlakozóhoz.

### Be- és kikapcsolás (G ábra)

**Figyelmeztetés!** Ügyeljen arra, hogy a szerszám ki legyen kapcsolva, mielőtt a tápellátásra csatlakoztatja.

- ◆ A szerszám bekapcsolásához nyomja meg az üzemi kapcsoló (1) „I”-vel jelölt részét.
- ◆ A szerszám kikapcsolásához nyomja meg az üzemi kapcsoló (1) „0”-val jelölt részét.

### Tartozékok

A szerszám teljesítménye függ a felhasznált tartozékoktól is. A BLACK+DECKER tartozékok magas minőségi követelményeknek megfelelően készültek, és tervezésükkor a szerszám teljesítményének optimalizálása volt a fő cél. A fenti tartozékok használatával a lehető legjobb teljesítményt érheti el.

### Karbantartás

Az Ön BLACK+DECKER szerszámát minimális karbantartás melletti hosszú távú használatra terveztük. Folyamatos és kielégítő működése a megfelelő gondozástól és a rendszeres tisztítástól is függ.

Az Ön töltőkészüléke a rendszeres tisztításon kívül más karbantartást nem igényel.

**Figyelmeztetés!** Mielőtt a szerszám karbantartásába vagy tisztításába kezdene, vegye ki belőle az akkumulátort.

- ◆ Puha kefével vagy száraz törőronggyal rendszeresen tisztítsa meg a szerszám szellőzőnyílásait.
- ◆ Nedves törőronggyal rendszeresen tisztítsa le a motorburkolatot. Ne használjon súrolószert vagy oldószer alapú tisztítószert.

### Hálózati csatlakozódugasz cseréje (csak az Egyesült Királyságban és Írországban)

Ha új tápcsatlakozó dugaszra van szüksége:

- ◆ A régi dugaszt biztonságos módon semmisítse meg.
- ◆ A barna vezetékét kösse az új csatlakozódugó fázis csatlakozójához.
- ◆ A kék vezetékét a nulla csatlakozóhoz kösse.

**Figyelmeztetés!** A földelő csatlakozóhoz nem kell vezetékelt kötnie. Kövesse a minőségi dugaszokhoz mellékelt szerelési útmutatót. Ajánlott biztosíték: 5 A.

### Környezetvédelem



Elkülönítve gyűjtendő. Ezzel a szimbólummal jelölt termékeket és akkumulátorokat tilos a normál háztartási hulladékba dobni.

A termékek és akkumulátorok tartalmaznak visszanyerhető vagy újrahasznosítható anyagokat, amelyek csökkentik a nyersanyagigényt. Kérjük, hogy a helyi előírásoknak megfelelően gondoskodjon az elektromos termékek és akkumulátorok újrahasznosításáról. További tájékoztatást itt talál: [www.2helpU.com](http://www.2helpU.com).

## Műszaki adatok

		BEW230
Felvett feszültség	$V_{AC}$	230
Felvett teljesítmény	W	55
Üresjáratú fordulatszám	$\text{min}^{-1}$	11 000
Súly	kg	0,8

### Hangnyomásszint az EN 62841 szabvány szerint:

Hangnyomás ( $L_{pA}$ ) 65 dB(A), toleranciafaktor (K) 3 dB(A)  
 Hangteljesítmény ( $L_{WA}$ ) 76 dB(A), toleranciafaktor (K) 3 dB(A)

### Súlyozott effektív rezgés gyorsulás összértéke (három tengely vektorösszege) az EN 62841 szabvány szerint:

( $a_{h1}$ ) 12,5  $\text{m/s}^2$ , toleranciafaktor (K) 1,5  $\text{m/s}^2$

## CE megfelelési nyilatkozat

GÉPEKRE VONATKOZÓ IRÁNYELV



BEW230 Csiszoló

A Black & Decker kijelenti, hogy a „Műszaki adatok” cím alatt ismertetett termékek megfelelnek a következő irányelveknek és szabványoknak:

2006/42/EK, EN62841-1:2015, EN62841-2-4:2014.

Ezek a termékek a 2014/30/EU és a 2011/65/EU

irányelveknek is megfelelnek. További tájékoztatásért forduljon a Black & Decker vállalathoz a következőkben megadott vagy a kézikönyv végén megtalálható elérhetőségeken.

Alulírott személy felelős a műszaki adatok összeállításáért, nyilatkozatát a Black & Decker vállalat nevében adja.

*Patrick Diepenbach*

Patrick Diepenbach  
 General Manager, Benelux  
 Stanley FatMax,  
 Egide Walschaertsstraat 14-18  
 2800 Mechelen, Belgium  
 2018/08/24

## Garancia határozat

Az Önhöz legközelebb eső hivatalos márkaszervizt a kézikönyvben megadott helyi Black & Decker képviselő segítségével érheti el. Alternatív megoldásként a szerződött Black & Decker szervizek listája, illetve az eladásutáni szolgáltatásaink és ezek elérhetőségének részletes ismertetése a következő internetes címen érhető el: [www.2helpU.com](http://www.2helpU.com)

Kérjük, látogassa meg a [www.blackanddecker.hu](http://www.blackanddecker.hu) weboldalunkat, hogy regisztrálja az új BLACK+DECKER termékét, ill. hogy megismerje az új termékeinkkel és egyedi ajánlatainkkal kapcsolatos legújabb híreinket. A BLACK+DECKER márkával és termékválasztékunkkal kapcsolatos további tájékoztatást a [www.blackanddecker.hu](http://www.blackanddecker.hu) internetes címen találhat.o.uk weboldalunkra, és regisztrálja új Black & Decker termékét, hogy új termékeinkről és különleges ajánlatainkról naprakész információkkal láthassuk el.

## BLACK & DECKER JÓTÁLLÁSI JEGY ÉS JÓTÁLLÁSI FELTÉTELEK

Gratulálunk Önnek ennek az értékes Black & Decker készülék megvásárlásához.

Azon termékeinkre, amelyet fogyasztói szerződés keretében háztartási, hobby célra vásárolnak **24 hónap jótállást vállalunk**.

### A termék iparszerű használatra nem alkalmas!

A jótállás a fogyasztó jogszabályból eredő jogait nem érinti.

- 1) A Stanley Black & Decker Hungary Kft. a jótállás, kellék- és termékszavatosság keretében végzett javításokat vagy a termék kicserélését 19/2014. (IV.29.) NGM rendelet és a 151/2003. (IX.22.) Kormányrendelet szerint végzi a jótállási idő, illetve a kellék- és termékszavatossági jogok érvényesíthetőségének teljes időtartama alatt.
  - a) A fogyasztó jótállási igényét a jótállási jeggyel érvényesítheti, ezért kérjük azt őrizze meg.
  - b) Vásárláskor a forgalmazónak (kereskedőnek) a jótállási jegyben fel kell tüntetnie a fogyasztási cikk azonosításra alkalmas megnevezését, típusát, gyártási számát, továbbá – amennyiben van ilyen – azonosításra alkalmas részeinek meghatározását, illetve a fogyasztó részére történő átadásának időpontját. A jótállási jegyet a forgalmazó (kereskedő) nevében eljáró személynek alá kell írnia és a kereskedés azonosítására alkalmas tartalmú (minimum cégnev, üzlet címe) bélyegzővel olvashatóan le kell bélyegezni. Kérjük, kísérgye figyelemmel a jótállási jegy megfelelő érvényesítését, mivel a kijelölt szervizeknél a jótállási igény csak érvényes jótállási jeggyel érvényesíthető. Amennyiben a jótállási jegy szabálytalanul került kiállításra, jótállási igényével kérjük forduljon a termékhez az Ön részére értékesítő partnerünkhöz (kereskedőhöz). A jótállási jegy szabálytalan kiállítás után a fogyasztó rendelkezésére bocsátás elmaradása nem érinti a jótállási érvényességét. Kérjük, hogy a jótállási jegyben kívül a nyugtát vagy számlát is szíveskedjen megőrizni a gyorsabb és hatékonyabb ügyintézés érdekében, mert a szerződés megkötése az ellenérték megfizetését igazoló bizonylattal is bizonyítható.
  - c) Elvesztett jótállási jegyet csak a fogyasztói szerződés létrejöttét igazoló nyugta vagy számla ellenében tudunk pótolni!
- 2) **Nem terjed ki a jótállás:**
  - a) amennyiben a hiba oka rendeltetésellenes, illetve a mellékelt magyar nyelvű használati kezelési útmutatóban foglaltaktól eltérő használat, átalakítás, szakszerűtlen kezelés, helytelen tárolás, elemi kár vagy egyéb a vásárlás után a fogyasztó érdekkörében keletkezett ok miatt következik be;
  - b) amennyiben a termék iparszerű (professzionális) célokra használták, kölcsönzési szolgáltatás nyújtásához használták fel (nem fogyasztói szerződés);
  - c) azon alkatrészekre, amelyek esetében a meghibásodás a jótállási időn belüli rendeltetéseszerű használat mellett az alkatrészek természetes elhasználódása, kopása miatt következett be (így különösen: fűrészlánc, fűrészlap, gyalukés, meghatószíj, csapágyak, szénkefe, csillagkerék);
  - d) a készülék túlterhelése miatt jelentkező hibákra, amelyek a hajtómű meghibásodásához, vagy egyéb ebből adódó károkhöz vezetnek;
  - e) a termék nem hivatalos szervizben történt javításából eredő hibákra;
  - f) az olyan károsodásokra, amelyek nem eredeti Black & Decker kiegészítő készülékek és tartozékok használatából adódnak **amennyiben a szakszerviz bizonyítja, hogy a hiba a fenti okok valamelyikére vezethető vissza.**
- 3) A fogyasztó a kijavítás vagy csere iránti igényét a jótállási időn belül a kereskedőnél, illetve kijavítás iránti igényét a jótállási jegyben feltüntetett javítószolgálatnál is érvényesítheti.

Termékszavatossági igényét kérjük a jótállási jegyben feltüntetett gyártónak vagy forgalmazónak szíveskedjen bejelenteni.

- a) Nem számít bele a jótállási időbe a kijavítási időnek az a része, amely alatt a fogyasztó a terméket nem tudta rendeltetéseszerűen használni.
  - b) A terméknek a kicseréléssel vagy kijavítással érintett részére a jótállási idő újból kezdődik.
  - c) Ha a fogyasztási cikk a vásárlástól (üzembe helyezéstől) számított három munkanapon belül meghibásodik, a fogyasztó ezen időtartamon belül kérheti annak kicserélését feltéve, hogy a meghibásodás a rendeltetéseszerű használatot akadályozó mérték megállapításához a kereskedő kérheti a szakszerviz közreműködését.
  - d) Amennyiben a jótállási igény bejelentését követően a kereskedő az igény teljesíthetőségéről azonnal nem tud nyilatkozni, úgy öt munkanapon belül kell értesítenie a fogyasztót az álláspontjáról.
  - e) Ha a kijavítás vagy a csere nem lehetséges, a fogyasztó választása szerint műszakilag és értékében hasonló készülék kerül felajánlásra, vagy a vételár arányos leszállításra kerül sor, avagy visszafizetésre kerül a vételár.
  - f) A termék hibája miatt a fogyasztó a forgalmazótól is követelheti a hiba kijavítását vagy a termék kicserélését a forgalomba hozataltól számított két év elteltéig (termékszavatosság).
- 4) A jótállás alapján történő javítás során a forgalmazónak, illetve a javítószolgálatnak (kereskedőnek) törekednie kell arra, hogy a kijavítást legfeljebb 15 napon belül megfelelő minőségben elvégezze, elvégeztesse.

A jótállás keretében tartozó kijavítás vagy csere esetén a forgalmazó, illetve a javítószolgálat a jótállási jegyben köteles feltüntetni:

- a kijavítás iránti igény bejelentésének és a kijavításra történő átvétel időpontját,
- a hiba okát és a kijavítás módját;
- a termékfogyasztó részére történő visszaadásának időpontját,
- a kicserélés tényét és időpontját.

### A termék meghibásodása esetén a fogyasztót az alábbi jogok illetik meg:

Elsősorban - választása szerint - kijavítást vagy kicserélést követelhet. A csereigény akkor megalapozott, ha a termék a fogyasztónak okozott jelentős kényelmetlenség nélkül, megfelelő minőségben és ésszerű határidőn belül, értékcsökkenés nélkül nem javítható ki, vagy nem kerül kijavításra.

Ha az előírt módon történő kijavításra, illetve kicserélésre vonatkozó kötelezettségének a forgalmazó nem tud eleget tenni, a fogyasztó – választása szerint – a vételár arányos leszállítását igényelheti, a hibát a forgalmazó költségére maga kijavíthatja, vagy elállhat a szerződéstől (a hibás áru visszaszolgáltatásával egyidejűleg kérheti a nyugtán vagy számlán feltüntetett bruttó vételár visszatérítését). Jelentéktelen hiba miatt ellátásnak nincs helye!

Kérjük, hogy a hiba felfedezését követő legrövidebb időn belül szíveskedjen azt a szervizben vagy a forgalmazónál bejelenteni. A kijavítást vagy kicserélést - a dolog tulajdonságaira és a fogyasztó által elvárható rendeltetéseszerű figyelemmel - megfelelő határidőn belül, a fogyasztó érdekeit kímélve kell elvégezni.

Gyártó: Black & Decker Europe, 210 Bath Road, Slough, Berkshire, SL13YD, Egyesült Királyság	Forgalmazó: Stanley Black & Decker Hungary Kft 1016. Budapest, Mészáros u. 58/B
---	--

**Fogyasztói jogvita esetén a fogyasztó a megyei (fővárosi) kereskedelmi és iparkamarák mellett működő békéltető testület eljárását is kezdeményezheti!**

**Kereskedő által a vásárlással egyidejűleg kitöltendő**

Kereskedő neve és címe:  
 .....

A fogyasztási cikk megnevezése:.....

Típusa: .....

Gyártási száma: .....

Szerződéskötés és a termék fogyasztó részére történő átadásának dátuma: ..... P.H.  
 aláírás

**Kereskedő által kitöltendő kicserélés esetén**

A fogyasztó a hibás terméket valamennyi tartozékával átadta.

A kicserélés időpontja: ..... P.H.  
 aláírás

A hibátlan terméket átvettem.

A kicserélt új termék átvételének időpontja: .....

**fogyasztó aláírása**

**Kijavítás esetén a szerviz tölti ki:**

**1. javítás**

A kijavítás iránti igény bejelentésének és a kijavításra átvétel időpontja:  
 .....

A bejelentett hiba oka és a kijavítás módja:  
 .....

A fogyasztó részére történő visszaadás időpontja:  
 .....

Amennyiben a termék nem javítható, a csereigény alapos:  
 igen / nem (aláhúzással jelölendő)  
 ..... P.H.  
 aláírás

**3. javítás**

A kijavítás iránti igény bejelentésének és a kijavításra átvétel időpontja:  
 .....

A bejelentett hiba oka és a kijavítás módja:  
 .....

A fogyasztó részére történő visszaadás időpontja:  
 .....

Amennyiben a termék nem javítható, a csereigény alapos:  
 igen / nem (aláhúzással jelölendő)  
 ..... P.H.  
 aláírás

**2. javítás**

A kijavítás iránti igény bejelentésének és a kijavításra átvétel időpontja:  
 .....

A bejelentett hiba oka és a kijavítás módja:  
 .....

A fogyasztó részére történő visszaadás időpontja:  
 .....

Amennyiben a termék nem javítható, a csereigény alapos:  
 igen / nem (aláhúzással jelölendő)  
 ..... P.H.  
 aláírás

**4. javítás**

A kijavítás iránti igény bejelentésének és a kijavításra átvétel időpontja:  
 .....

A bejelentett hiba oka és a kijavítás módja:  
 .....

A fogyasztó részére történő visszaadás időpontja:  
 .....

Amennyiben a termék nem javítható, a csereigény alapos:  
 igen / nem (aláhúzással jelölendő)  
 ..... P.H.  
 aláírás

## Stanley Black & Decker Hungary Kft

Iroda

1016 Bp. Mészáros u 58/b.

Tel.  
214-05-61

Fax.  
214-69-35

### Központi Márkaszerviz

**Elérhetőség**

FIXIT Hungary Kft.

INOX Kereskedelmi  
és Szolgáltató Kft.

**Zsolcai kapu 9-11**  
**3526 Miskolc**  
**Szolnoki út 27-29.**  
**6000 Kecskemét**

**Tel/fax**  
+36 46 500 385  
+36 30 370 7033

blackanddecker@hu.fixit-service.com  
<https://rma.fixit-service.com>  
szerviz@inox.hu  
[www.inox.hu/](http://www.inox.hu/)

**CZ** ZÁRUČNÍ LIST

**PL** KARTA GWARANCYJNA

**H** JÓTÁLLÁSI JEGY

**SK** ZÁRUČNÝ LIST



**CZ** měsíců  
**H** hónap

**24**

**PL** miesiące  
**SK** mesiacov

<b>CZ</b> Výrobní kód	Datum prodeje	Razítko prodejny Podpis
<b>H</b> Gyári szám	A vásárlás napja	Pecset helye Aláírás
<b>PL</b> Numer seryjny	Data sprzedaży	Stempel Podpis
<b>SK</b> Číslo série	Dátum predaja	Pečiatka predajne Podpis



CZ

Adresy servisu  
Band Servis  
Klásterského 2  
CZ-140 00 Praha 4  
Tel.: 00420 244 403 247  
Fax: 00420 241 770 167

Band Servis  
K Pasekám 4440  
CZ-76001 Zlín  
Tel.: 00420 577 008 550,1  
Fax: 00420 577 008 559  
<http://www.bandservis.cz>

H

FIXIT Hungary Kft.  
Zsolcai kapu 9-11  
3526 Miskolc  
+36 46 500 385  
e-mail: [blackanddecker@hu.fixit-service.com](mailto:blackanddecker@hu.fixit-service.com)  
<https://rma.fixit-service.com>

INOX Trading and  
Manufacturing LLC  
Szolnoki út 27-29.  
6000 Kecskemét  
Tel.: +36 30 370 7033  
e-mail: [szerviz@inox.hu](mailto:szerviz@inox.hu)  
[www.inox.hu](http://www.inox.hu)

PL

Adres servisu centralnego  
ERPATECH  
ul. Bakaliowa 26  
05-080 Mościska  
Tel.: 022-8620808  
Fax: 022-8620809

SK

Adresa servisu  
Band Servis  
Paulínska ul. 22  
SK-91701 Trnava  
Tel.: 00421 335 511 063  
Fax: 00421 335 512 624

CZ Dokumentace záruční opravy

PL Przebieg napraw gwarancyjnych

H A garanciális javítás dokumentálása

SK Záznamy o záručných opravách

CZ	Číslo	Datum příjmu	Datum zakázky	Číslo zakázky	Závada	Razítko Podpis
H	Sorszám	Bejelentés időpontja	Javítási időpont	Javítási munkalapszám	Hiba jelleg oka	Pecset Aláírás
	Jótállás új határideje					
PL	Nr.	Data zgłoszenia	Data naprawy	Nr. zlecenia	Przebieg naprawy	Stempel Podpis
SK	Číslo dodávky	Dátum nahlásenia	Dátum opravy	Číslo objednávky	Popis poruchy	Pečiatka Podpis

## Przeznaczenie

Ta szlifierka BLACK+DECKER BEW230 przeznaczona jest do szlifowania i polerowania drewna, metalu, tworzyw sztucznych i powierzchni malowanych. Opisywane urządzenie przeznaczone jest wyłącznie do użytku amatorskiego.

## Zasady bezpiecznej pracy

### Ogólne wskazówki dotyczące bezpiecznej pracy elektronarzędziami



**Ostrzeżenie!** Należy zapoznać się ze wszystkimi zaleceniami dotyczącymi bezpieczeństwa i obsługi oraz rysunkami i danymi umieszczonymi w dołączonej do elektronarzędzia instrukcji obsługi. Niestosowanie się do ostrzeżeń i zaleceń zawartych w tej instrukcji obsługi może być przyczyną porażenia prądem elektrycznym, pożaru i/lub poważnego zranienia.

**Zachować wszystkie instrukcje i informacje dotyczące bezpiecznej pracy, aby móc korzystać z nich w przyszłości.** Pojęcie „elektonarzędzie” używane w niniejszej instrukcji, oznacza narzędzie zasilane z sieci elektrycznej (przewodem zasilającym) lub akumulatorami (bezprowodowe).

#### 1. Bezpieczeństwo w miejscu pracy

- a. **Miejsce pracy musi być czyste i dobrze oświetlone.** Miejsca ciemne i takie, w których panuje nieporządek, stwarzają ryzyko wypadku.
- b. **Nie wolno używać elektronarzędzi w strefach zagrożenia wybuchem, w pobliżu palnych cieczy, gazów, czy pyłów.** Elektronarzędzia mogą wytworzyć iskry powodujące zapłon pyłów lub oparów.
- c. **W czasie pracy elektronarzędziami nie pozwalać na przebywanie w pobliżu dzieci i innych osób postronnych.** Chwila nieuwagi może spowodować utratę kontroli nad narzędziem.

#### 2. Ochrona przeciwporażeniowa

- a. **Gniazdo musi być dostosowane do wtyczki elektronarzędzia. Nie wolno przerabiać wtyczek. Nie używać żadnych łączników lub rozdzielaczy elektrycznych z uziemionymi elektronarzędziami.** Nieprzerabiane wtyczki i odpowiednie gniazda zmniejszają ryzyko porażenia prądem elektrycznym.
- b. **Należy unikać bezpośredniej styczności z uziemionymi lub zerowanymi powierzchniami, takimi jak rurociągi, grzejniki, kuchenki i lodówki.** Ryzyko porażenia prądem elektrycznym wzrasta, jeśli Twoje ciało jest uziemione.
- c. **Nie narażać elektronarzędzi na działanie deszczu lub zwiększonej wilgotności.**

Woda, która dostanie się do wnętrza elektronarzędzia zwiększa ryzyko porażenia prądem elektrycznym.

- d. **Nie wolno ciągnąć za przewód zasilający. Nie wolno ciągnąć, podnosić ani wyciągać wtyczki z gniazda, poprzez ciągnięcie za kabel zasilający narzędzia. Chronić kabel zasilający przed kontaktem z gorącymi elementami, olejami, ostrymi krawędziami i ruchomymi częściami.** Uszkodzenie lub zaplątanie przewodu zasilającego zwiększa ryzyko porażenia prądem elektrycznym.
  - e. **W czasie pracy elektronarzędziem poza pomieszczeniami zamkniętymi należy używać przystosowanych do tego przedłużaczy.** Korzystanie z przedłużaczy przystosowanych do użycia na wewnętrznych budynków zmniejsza ryzyko porażenia prądem.
  - f. **Jeśli zachodzi konieczność używania narzędzia w wilgotnym otoczeniu, należy używać źródła zasilania zabezpieczonego wyłącznikiem różnicowoprądowym.** Stosowanie wyłączników różnicowoprądowych zmniejsza ryzyko porażenia prądem elektrycznym.
- #### 3. Środki ochrony osobistej
- a. **W czasie pracy elektronarzędziem zachować czujność, patrzeć uważnie i kierować się zdrowym rozsądkiem. Nie używać elektronarzędzia w stanie zmęczenia, pod wpływem narkotyków, alkoholu lub leków.** Nawet chwila nieuwagi w czasie pracy elektronarzędziem może doprowadzić do poważnego uszkodzenia ciała.
  - b. **Używać środków ochrony osobistej. Zawsze zakładać okulary ochronne.** Używanie, w miarę potrzeb, środków ochrony osobistej, takich jak maska przeciwpyłowa, buty ochronne z antypoślizgową podeszwą, kask czy ochronnik słuchu, zmniejsza ryzyko odniesienia uszczerbku na zdrowiu.
  - c. **Zapobiegać przypadkowemu włączeniu. Przed przyłączeniem do zasilania i/lub włożeniem akumulatorów oraz przed podniesieniem i przenoszeniem narzędzia, upewnić się, że wyłącznik znajduje się w pozycji „wyłączone”.** Trzymanie palca na włączniku podczas przenoszenia lub podłączenia włączonego narzędzia do zasilania łatwo staje się przyczyną wypadków.
  - d. **Przed włączeniem elektronarzędzia usunąć wszelkie klucze lub narzędzia do regulacji.** Klucz pozostawiony zamocowany do obrotowej części elektronarzędzia może spowodować obrażenia.
  - e. **Nie wychylać się nadmiernie. Przez cały czas zachowywać solidne oparcie nóg i równowagę.** Dzięki temu ma się lepszą kontrolę nad elektronarzędziem w nieoczekiwanych sytuacjach.

- f. **Zakładać odpowiednią odzież. Nie nosić luźnych ubrań ani biżuterii. Trzymać włosy, ubranie i rękawice z dala od ruchomych elementów.** Luźne ubranie, biżuteria lub długie włosy mogą zostać pochwycone przez ruchome części.
- g. **Jeśli sprzęt jest przystosowany do przyłączenia urządzeń odprowadzających i zbierających pył, upewnić się, czy są one przyłączone i właściwie użytkowane.** Używanie takich urządzeń może zmniejszać zagrożenia związane z obecnością pyłów.
- h. **Nie zezwalać na to, aby rutyna wynikająca z częstego użytkowania narzędzi prowadziła do lekceważenia zagrożeń i ignorowania zasad bezpiecznego użytkowania narzędzi.** Lekkoomyślna obsługa może spowodować poważne obrażenia ciała w ułamku sekundy.

#### 4. Obsługa i konserwacja elektronarzędzi

- a. **Nie przeciążać elektronarzędzia. Używać elektronarzędzi odpowiednich do rodzaju wykonywanej pracy.**  
Dzięki odpowiednim elektronarzędziom wykona się pracę lepiej i w sposób bezpieczny, w tempie, do jakiego narzędzie zostało zaprojektowane.
- b. **Nie wolno używać elektronarzędzia z zepsutym włącznikiem, który nie pozwala na sprawne włączanie i wyłączenie.** Narzędzie, którego nie można kontrolować za pomocą włącznika, nie może być używane i musi zostać naprawione.
- c. **Przed przystąpieniem do regulacji, wymiany akcesoriów oraz przed schowaniem elektronarzędzia, należy odłączyć wtyczkę od źródła zasilania i/lub odłączyć akumulator od urządzenia.** Takie środki zapobiegawcze zmniejszają ryzyko przypadkowego uruchomienia elektronarzędzia.
- d. **Nie używane elektronarzędzie przechowywać poza zasięgiem dzieci i nie dopuszczać osób nie znających elektronarzędzia lub tej instrukcji do posługiwania się elektronarzędziem.** Elektronarzędzia są niebezpieczne w rękach niewyprawnego użytkownika.
- e. **Regularnie dokonywać konserwacji elektronarzędzi. Sprawdzić, czy ruchome części są właściwie połączone i zamocowane, czy części nie są uszkodzone oraz skontrolować wszelkie inne elementy mogące mieć wpływ na pracę elektronarzędzia.** Wszystkie uszkodzenia należy naprawić przed rozpoczęciem użytkowania. Wiele wypadków jest spowodowanych źle utrzymanymi elektronarzędziami.
- f. **Dbać o czystość narzędzi i ostrość elementów tnących.** Prawidłowo utrzymane narzędzia do cięcia o ostrych krawędziach tnących rzadziej się zakleszczają i są łatwiejsze do kontrolowania.

- g. **Elektronarzędzi, akcesoriów i końcówek itp., należy używać zgodnie z instrukcją obsługi, uwzględniając warunki i rodzaj wykonywanej pracy.** Użycie elektronarzędzi niezgodnie z przeznaczeniem może być bardzo niebezpieczne.
- h. **Uchwyty i powierzchnie, za które chwyta się narzędzie, muszą być suche, czyste oraz niezabrudzone olejem i smarem.** Śliskie uchwyty i powierzchnie uniemożliwiają bezpieczną obsługę i panowanie nad narzędziem w nieoczekiwanych sytuacjach.

#### 6. Naprawy

- a. **Powierzać naprawy elektronarzędzi wyłącznie osobom wykwalifikowanym, używającym identycznych części zamiennych.** Zagwarantuje to bezpieczeństwo elektronarzędzia.

### Bezpieczne użytkowanie elektronarzędzi - wskazówki dodatkowe



**Ostrzeżenie!** Dodatkowe ostrzeżenia dotyczące szlifierek.

- ◆ **Trzymać elektronarzędzie wyłącznie za izolowane uchwyty, ponieważ powierzchnia szlifierska może zetknąć się z przewodem zasilania elektronarzędzia.** Przecięcie przewodu pod napięciem może spowodować pojawienie się napięcia na metalowych częściach obudowy i porażenie prądem operatora.
- ◆ **Używać zacisków lub innego wygodnego sposobu zamocowania obrabianego elementu do stabilnego podłoża.** Trzymanie obrabianego elementu w rękach lub oparcie go o ciało nie daje dostatecznej stabilizacji i może spowodować utratę kontroli nad narzędziem.
- ◆ **Ostrzeżenie! Kontakt z pyłem lub wdychanie pyłu wytwarzanego podczas szlifowania może być niebezpieczne dla zdrowia operatora i możliwych osób postronnych.** Używać maski oddechowej zaprojektowanej specjalnie do ochrony przed pyłem i oparami i upewnić się, że osoby postronne w obszarze pracy także są chronione.
- ◆ **Dokładnie usuwać cały pył po zakończeniu szlifowania.**
- ◆ **Zachować szczególną ostrożność podczas szlifowania farby, jeśli farba może być farbą ołowiową, lub szlifowania pewnych typów drewna, które mogą wytwarzać toksyczny pył:**
  - ◆ Nie pozwalać dzieciom ani kobietom w ciąży wchodzić w obszar pracy.
  - ◆ Nie jeść, nie pić ani nie palić w miejscu pracy.
  - ◆ Bezpiecznie usuwać pył i inne odpady.
- ◆ **Przeznaczenie urządzenia opisane jest w niniejszej instrukcji obsługi.**

Używanie jakichkolwiek akcesoriów lub wykonywanie prac sprzecznych z przeznaczeniem opisywanym w instrukcji obsługi może powodować niebezpieczeństwo uszkodzenia ciała i/lub uszkodzenia mienia.

### Bezpieczeństwo osób postronnych

- ◆ Opisywane urządzenie nie jest przeznaczone do użycia przez osoby o obniżonych możliwościach fizycznych, ruchowych lub umysłowych (także dzieci) lub o zbyt małej wiedzy i doświadczeniu, jeśli nie zostały one przeszkolone lub nie pozostają pod opieką osoby odpowiedzialnej za ich bezpieczeństwo.
- ◆ Należy pilnować dzieci, aby nie bawiły się urządzeniem.

### Pozostałe zagrożenia.

W czasie pracy narzędziem mogą powstać zagrożenia, które nie zostały uwzględnione w załączonej instrukcji dotyczącej bezpiecznego użytkowania. Zagrożenia te mogą wynikać z niewłaściwego użytkowania, zbyt intensywnej eksploatacji lub innych przyczyn.

Nawet w przypadku przestrzegania zasad bezpiecznej pracy i stosowania środków ochronnych, nie jest możliwe uniknięcie pewnych zagrożeń. Należą do nich:

- ◆ Zranienia wynikające z dotknięcia wirujących/ruchomych elementów.
- ◆ Obrażenia ciała w czasie wymiany części, ostrzy lub akcesoriów.
- ◆ Zranienia związane ze zbyt długotrwałym używaniem narzędzia.  
Pracując przez dłuższy czas jakimkolwiek narzędziem, należy robić regularne przerwy.
- ◆ Uszkodzenie słuchu.
- ◆ Zagrożenie dla zdrowia spowodowane wdychaniem pyłu wytwarzanego podczas użytkowania urządzenia (np.: podczas pracy w drewnie, szczególnie dębowym, bukowym oraz MDF).

### Drgania

Podawana w tabeli danych technicznych oraz w deklaracji zgodności z normami wartość drgań (wibracji), została zmierzona zgodnie ze standardową procedurą zawartą w normie EN62841. Informacja ta może służyć do porównywania tego narzędzia z innymi. Deklarowana wartość emitowanych drgań może również służyć do przewidywania stopnia narażenia użytkownika na drgania.

**Ostrzeżenie!** Chwilowa siła drgań, występująca w czasie pracy elektronarzędziem, może odbiegać od podawanych wartości, w zależności od sposobu użytkowania urządzenia. Poziom drgań może przekroczyć podawaną wartość. Przy określaniu ekspozycji na drgania, w celu podjęcia środków ochrony osób zawodowo użytkujących elektronarzędzia, zgodnie z dyrektywą 2002/44/WE, należy uwzględnić rzeczywiste warunki i rodzaj wykonywanej pracy.

Także okresy przestoju i pracy bez obciążenia.

### Symbole na urządzeniu

Następujące piktogramy są umieszczone na urządzeniu wraz z kodem daty:



**Ostrzeżenie!** Aby zminimalizować ryzyko zranienia, użytkownik musi zapoznać się z instrukcją obsługi.

### Ochrona przeciwporażeniowa



To narzędzie ma podwójną izolację, dlatego też przewód uziemiaczy nie jest potrzebny. Zawsze sprawdzać, czy napięcie zasilania jest zgodne z wartością podaną na tabliczce znamionowej.

- ◆ Ze względów bezpieczeństwa wymianę uszkodzonego kabla zasilającego należy powierzyć producentowi lub autoryzowanemu centrum serwisowemu BLACK+DECKER.

### Funkcje

Opisywane urządzenie wyposażone jest w kilka lub wszystkie z poniższych elementów.

1. Włącznik
2. Złącze odsysania pyłu.
3. Podstawa
4. Uchwyt końcówki
5. Końcówka podstawy szlifującej
6. Mocowanie akcesorium podłużnego\*
7. Śruba
8. Końcówka w kształcie rombu

Poza tym, to narzędzie jest wyposażone w niektóre lub wszystkie z następujących akcesoriów:

Akcesorium	Zalecane zastosowanie i użycie
Gruboziarnisty papier ścierny	Szybkie usuwanie farby, lakieru i rdzy
Średnioziarnisty papier ścierny	Usuwanie farby, lakieru i rdzy
Drobnoziarnisty papier ścierny	Uzyskiwanie płynnego przejścia między powierzchniami i ich wykańczanie
Bardzo drobnoziarnisty papier ścierny	Szlifowanie pomiędzy nakładaniem poszczególnych warstw farby/lakieru itp.
Końcówki do szlifowania drobnych elementów	Narożniki i trudno dostępne miejsca
Wełna do polerowania/ usuwania powłoki 1 OT	Polerowanie metali, usuwanie lakieru i czyszczenie szkła
Szara podkładka piankowa	Nakładanie i usuwanie środka do nadawania połysku

Akcesorium	Zalecane zastosowanie i użycie
Czerwona podkładka z włókniny	Intensywne szorowanie i usuwanie rdzy
Szary papier ścierny	Polerowanie tworzyw sztucznych

\***Uwaga:** Mocowanie akcesorium podłużnego (6) może nie być dołączone do wszystkich urządzeń. Wszystkie akcesoria można zakupić u sprzedawcy BLACK+DECKER lub przez naszą witrynę internetową: [www.blackanddecker.co.uk](http://www.blackanddecker.co.uk).

## Montaż

**Ostrzeżenie!** Przed rozpoczęciem montażu upewnić się, czy narzędzie jest wyłączone i wtyczka zasilania jest odłączona.

### Montaż arkusza papieru ściernego (rys. A i B)

- ◆ Odłączyć dwie dodatkowe końcówki w kształcie rombów (8) od arkusza szlifującego (9).
- ◆ Trzymać narzędzie podstawą szlifującą do góry.
- ◆ Nałożyć arkusz szlifujący (9) na podstawę szlifującą, dopilnowując, aby otwory w arkuszu były dopasowane do otworów w podstawie.

Końcówkę w kształcie rombu (8) można odwrócić i wymienić po zużyciu.

- ◆ Gdy przednia część końcówki zużyje się, odłączyć ją od arkusza, odwrócić i ponownie wcisnąć na podstawę szlifującą.
- ◆ Gdy cała końcówka jest zużyta, zdemontować ją z podstawy i zamontować nową końcówkę.
- ◆ Gąbki i podkładki szlifujące (14) można montować w taki sam sposób, jak arkusze szlifujące.

### Końcówka podstawy akcesorium szlifującego (rys. D)

Kiedy końcówka podstawy akcesorium szlifującego (5) jest zużyta lub uchwyt końcówki (4) jest zużyty, można je odwrócić lub wymienić. Części zamienne są dostępne u sprzedawców BLACK+DECKER.

- ◆ Wykręcić śrubę (7).
- ◆ Odwrócić lub wymienić zużyłą część.
- ◆ Zamontować i dokręcić śrubę.

### Podłużna nakładka (rys. D)

Podłużna nakładka służy do szlifowania drobnych elementów.

- ◆ Wykręcić śrubę (7).
- ◆ Zdemontować uchwyt końcówki w kształcie rombu (4) z podstawy szlifującej.
- ◆ Zamontować podłużną nakładkę (6) na podstawę szlifującą.
- ◆ Zamontować i dokręcić śrubę.
- ◆ Założyć odpowiedni arkusz papieru ściernego (11) na podłużną nakładkę.

## Eksplatacja

**Ostrzeżenie!** Uwzględnić tempo pracy urządzenia. Nie przeciążać narzędzia.

**Ostrzeżenie!** Nie zasłaniać otworów wentylacyjnych podczas korzystania z narzędzia. Trzymać narzędzie zgodnie z rys. H. Koniecznie trzymać podstawę akcesorium szlifującego płasko na obrabianym przedmiocie.

### Podłączanie odkurzacza (rys. F)

Narzędzie jest wyposażone w adapter pozwalający na jego podłączenie do odkurzacza na czas polerowania drewna.

Aby podłączyć narzędzie do odkurzacza, postępować w następujący sposób:

**Ostrzeżenie!** Dopilnować, aby narzędzie było wyłączone i odłączone od zasilania.

- ◆ Zamontować złącze odsysania pyłu (2) na adapter z tyłu narzędzia.
- ◆ Podłączyć wąż odpowiedniego odkurzacza do złącza.

### Włączanie i wyłączanie (rys. G)

**Ostrzeżenie!** Przed podłączeniem narzędzia do zasilania, dopilnować, aby było wyłączone.

- ◆ Aby włączyć narzędzie, nacisnąć część włącznika (1) oznaczoną „I”.
- ◆ Aby wyłączyć narzędzie, nacisnąć część włącznika (1) oznaczoną „0”.

## Akcesoria

Wydajność narzędzia zależy od użytego osprzętu. Akcesoria BLACK+DECKER zostały wykonane z zachowaniem wysokich standardów jakości i zaprojektowane tak, aby zwiększyć wydajność narzędzia. Używając tych akcesoriów maksymalnie wykorzysta się możliwości swojego narzędzia.

## Konserwacja

Narzędzia BLACK+DECKER zostały zaprojektowane tak, aby zapewnić długoletnią, prawie bezobsługową, pracę urządzenia. Aby długo cieszyć się właściwą pracą urządzenia, należy odpowiednio o nie dbać i regularnie je czyścić. Ładowarka nie wymaga, oprócz okresowego czyszczenia, żadnej dodatkowej konserwacji.

**Ostrzeżenie!** Przed przystąpieniem do konserwacji odłączyć ładowarkę od zasilania.

- ◆ Okresowo czyścić otwory wentylacyjne narzędzia za pomocą miękkiej szczoteczki lub suchej ściereczki.
- ◆ Regularnie czyścić obudowę silnika wilgotną ściereczką. Nie używać środków czyszczących ściernych ani zawierających rozpuszczalniki.

## Wymiana wtyczki sieciowej (dotyczy tylko Wielkiej Brytanii i Irlandii)

Jeśli występuje konieczność montażu nowej wtyczki:

- ◆ Bezpiecznie zutilizować starą wtyczkę.
- ◆ Przyłączyć brązowy przewód do zacisku fazy w nowej wtyczce.
- ◆ Przyłączyć niebieski przewód do zacisku zerowego.

**Ostrzeżenie!** Nie wykonywać przyłączenia do końcówki uziemienia. Postępować zgodnie z instrukcją instalacji dołączoną do wtyczek wysokiej jakości. Zalecany bezpiecznik: 5 A.

## Ochrona środowiska



Selektywna zbiórka odpadów. Produktów i akumulatorów oznaczonych tym symbolem nie wolno usuwać ze zwykłymi odpadami z gospodarstw domowych.

Produkty i akumulatory zawierają materiały, które można odzyskać lub poddać recyklingowi, zmniejszając zapotrzebowanie na surowce. Oddawać produkty elektryczne i akumulatory do recyklingu zgodnie z krajowymi przepisami. Więcej danych na stronie [www.2helpU.com](http://www.2helpU.com).

## Dane techniczne

		BEW230
Napięcie zasilania	V prądu zmiennego	230
Moc elektryczna	W	55
Obroty bez obciążenia	min <sup>-1</sup>	11000
Masa	kg	0,8

### Poziom ciśnienia akustycznego zgodnie z EN 62841:

Cisnienie akustyczne ( $L_{pA}$ ) 65 dB(A), niepewność (K) 3 dB(A)  
Moc akustyczna ( $L_{WA}$ ) 76 dB(A), niepewność (K) 3 dB(A)

### Sumaryczna wielkość drgań (suma wektorów trzech osi) zgodnie z normą EN 62841:

( $a_h$ ) 12,5 m/s<sup>2</sup>, niepewność (K) 1,5 m/s<sup>2</sup>

## Deklaracja zgodności WE

DYREKTYWA MASZYNOWA



Szlifyerka BEW230

Firma Black & Decker oświadcza, że produkty opisane pod „dane techniczne” są zgodne z następującymi przepisami: 2006/42/WE, EN62841-1:2015, EN62841-2-4:2014.

Produkty te są również zgodne z zapisami dyrektyw 2014/30/UE oraz 2011/65/UE. Aby otrzymać więcej informacji, należy skontaktować się z firmą Black & Decker pod adresem podanym poniżej lub na końcu instrukcji.

Niżej podpisany jest odpowiedzialny za zebranie danych technicznych i składa tę deklarację w imieniu firmy Black & Decker.

*Patrick Diepenbach*

Patrick Diepenbach  
General Manager, Benelux  
Stanley FatMax,  
Egide Walschaertsstraat 14-18  
2800 Mechelen, Belgium  
24.08.2018 r.

## Gwarancja

Firma Black & Decker jest pewna jakości swoich produktów i oferuje klientom 24 miesiące gwarancji od daty zakupu. Udzielona gwarancja stanowi rozszerzenie i w żaden sposób nie ogranicza ustawowych praw użytkowników. Gwarancja obowiązuje na terenie krajów członkowskich Unii Europejskiej i Europejskiej Strefy Wolnego Handlu.

Aby skorzystać z gwarancji, roszczenie gwarancyjne musi być zgodne z Warunkami Black & Decker i konieczne jest przedłożenie dowodu zakupu sprzedawcy lub pracownikowi autoryzowanego serwisu.

Warunki 2-letniej gwarancji Black & Decker oraz lokalizację najbliższego autoryzowanego serwisu można uzyskać na stronie internetowej [www.2helpU.com](http://www.2helpU.com) lub kontaktując się z lokalnym biurem Black & Decker pod adresem podanym w tej instrukcji.

Zapraszamy na naszą stronę internetową [www.blackanddecker.co.uk](http://www.blackanddecker.co.uk), aby zarejestrować swój produkt Black & Decker i otrzymywać informacje o nowych produktach i ofertach specjalnych.

## BLACK+DECKER

### WARUNKI GWARANCJI:

Produkty marki BLACK+DECKER reprezentują bardzo wysoką jakość, dlatego oferujemy dla nich korzystne warunki gwarancyjne. Niniejsze warunki gwarancji nie pomniejszają praw klienta wynikających z polskich regulacji ustawowych lecz są ich uzupełnieniem. Gwarancja jest ważna na terenie Rzeczypospolitej Polskiej.

BLACK+DECKER gwarantuje sprawne działanie produktu w przypadku postępowania zgodnego z warunkami techniczno-eksploatacyjnymi opisanymi w instrukcji obsługi.

Niniejszą gwarancją nie jest objęte dodatkowe wyposażenie, jeżeli nie została do niego dołączona oddzielna karta gwarancyjna oraz elementy wyrobu podlegające naturalnemu zużyciu.

1. Niniejszą gwarancją objęte są usterki produktu spowodowane wadami produkcyjnymi i wadami materiałowymi.
2. Niniejsza gwarancja jest ważna po przedstawieniu przez Klienta w Centralnym Serwisie Gwarancyjnym reklamowanego produktu oraz łącznie:
  - a) poprawnie wypełnionej karty gwarancyjnej;
  - b) ważnego paragonu zakupu z datą sprzedaży taką, jak w karcie gwarancyjnej lub kopii faktury.
3. Gwarancja obejmuje bezpłatną naprawę urządzenia (wraz z bezpłatną wymianą uszkodzonych części) w okresie 24 miesięcy od daty zakupu.
4. Produkt reklamowany musi być:
  - a) dostarczony bezpośrednio do Centralnego Serwisu Gwarancyjnego wraz z poprawnie wypełnioną Kartą Gwarancyjną i ważnym paragonem zakupu (lub kopią faktury) oraz szczegółowym opisem uszkodzenia, lub
  - b) przesłany do Centralnego Serwisu Gwarancyjnego za pośrednictwem punktu sprzedaży wraz z dokumentami wymienionymi powyżej.
5. Koszty wysyłki do Centralnego Serwisu Gwarancyjnego ponosi Serwis. Wszelkie koszty związane z zapewnieniem bezpiecznego opakowania, ubezpieczeniem i innym ryzykiem ponosi Klient. W przypadku odrzucenia roszczenia gwarancyjnego, produkt jest odesyłany do miejsca nadania na koszt adresata.
6. Usterki ujawnione w okresie gwarancji będą usunięte przez Centralny Serwis Gwarancyjny w terminie:
  - a) 14 dni roboczych od daty przyjęcia produktu przez Centralny Serwis Gwarancyjny;

- b) termin usunięcia wady (punkt 6a) może być wydłużony o czas niezbędny do importu niezbędnych części zamiennych.
7. Klient otrzyma nowy sprzęt, jeżeli:
  - a) Centralny Serwis Gwarancyjny stwierdzi na piśmie, że usunięcie wady jest niemożliwe;
  - b) produkt nie podlega naprawie, tylko wymianie bez dokonywania naprawy.
8. O ile taki sam produkt jest nieosiągalny, może być wydany nowy produkt o nie gorszych parametrach.
9. Decyzja Centralnego Serwisu Gwarancyjnego odnośnie zasadności zgłaszanych usterek jest decyzją ostateczną.
10. Gwarancją nie są objęte:
  - a) wadliwe działanie lub uszkodzenia spowodowane niewłaściwym użytkowaniem lub użytkowaniem produktu niezgodnie z przeznaczeniem, instrukcją obsługi lub przepisami bezpieczeństwa. W szczególności profesjonalne użytkowanie amatorskich narzędzi BLACK+DECKER powoduje utratę gwarancji;
  - b) wadliwe działanie lub uszkodzenia spowodowane przeciążaniem narzędzia, które prowadzi do uszkodzeń silnika, przekładni lub innych elementów a także stosowaniem osprzętu innego niż zalecany przez BLACK+DECKER;
  - c) mechaniczne uszkodzenia produktu i wywołane nimi wady;
  - d) wadliwe działanie lub uszkodzenia na skutek działania pożaru, powodzi, czy też innych klęsk żywiołowych, nieprzewidzianych wypadków, korozji, normalnego zużycia w eksploatacji czy też innych czynników zewnętrznych;
  - e) produkty, w których naruszone zostały plomby gwarancyjne lub, które były naprawiane poza Centralnym Serwisem Gwarancyjnym lub były przerabiane w jakikolwiek sposób;
  - f) osprzęt eksploatacyjny dołączony do urządzenia oraz elementy ulegające naturalnemu zużyciu.
11. Centralny Serwis Gwarancyjny, firmy handlowe, które sprzedały produkt, nie udzielają upoważnień ani gwarancji innych niż określone w karcie gwarancyjnej. W szczególności nie obejmują prawa klienta do domagania się zwrotu utraconych zysków w związku z uszkodzeniem produktu.
12. Gwarancja nie wyłącza, nie ogranicza ani nie zawiesza uprawnień kupującego wynikających z niezgodności towaru z umową.

**Centralny Serwis Gwarancyjny ERPATECH**  
 ul. Bakaliowa 26, 05-080 Mościska  
 tel.: (22) 862-08-08, (22) 431-05-05  
 faks: (22) 862-08-09

**Polski**

(oryginalna instrukcja)

**CZ** ZÁRUČNÍ LIST

**PL** KARTA GWARANCYJNA

**H** JÓTÁLLÁSI JEGY

**SK** ZÁRUČNÝ LIST



**CZ** měsíců  
**H** hónap

**24**

**PL** miesiące  
**SK** mesiacov

<b>CZ</b>	Výrobní kód	Datum prodeje	Razítko prodejny Podpis
<b>H</b>	Gyári szám	A vásárlás napja	Pecset helye Aláírás
<b>PL</b>	Numer seryjny	Data sprzedaży	Stempel Podpis
<b>SK</b>	Číslo série	Dátum predaja	Pečiatka predajne Podpis



CZ

Adresy servisu  
Band Servis  
Klášterského 2  
CZ-140 00 Praha 4  
Tel.: 00420 244 403 247  
Fax: 00420 241 770 167

Band Servis  
K Pasekám 4440  
CZ-76001 Zlín  
Tel.: 00420 577 008 550,1  
Fax: 00420 577 008 559  
http://www.bandservis.cz

H

Black & Decker Kézponti  
Garanciális-és Márkaszerviz  
1163 Budapest  
(Sashalom) Thököly út 17.  
Tel.: 403-2260  
Fax: 404-0014  
www.rotelkft.hu

PL

Adres serwisu centralnego  
ERPATECH  
ul. Bakaliowa 26  
05-080 Mościska  
Tel.: 022-8620808  
Fax: 022-8620809

SK

Adresa servisu  
Band Servis  
Paulínska ul. 22  
SK-91701 Trnava  
Tel.: 00421 335 511 063  
Fax: 00421 335 512 624

CZ Dokumentace záruční opravy

PL Przebieg napraw gwarancyjnych

H A garanciális javítás dokumentálása

SK Záznamy o záručných opravách

CZ	Číslo	Datum příjmu	Datum zakázky	Číslo zakázky	Závada	Razítko Podpis
H	Sorszám	Bejelentés időpontja	Javítási időpont	Javítási munkalapszám	Hiba jelleg oka	Pecsét Aláírás
	Jótállás új határideje					
PL	Nr	Data zgłoszenia	Data naprawy	Nr zlecenia	Przebieg naprawy	Stempel Podpis
SK	Číslo dodávky	Dátum nahlásenia	Dátum opravy	Číslo objednávky	Popis poruchy	Pečiatka Podpis

## Destinația de utilizare

Șlefuitorul BLACK+DECKER BEW230 a fost conceput pentru șlefuirea și lustruirea lemnului, a metalului, a materialelor plastice și a suprafețelor vopsite. Această unealtă este destinată exclusiv uzului casnic.

## Instrucțiuni de siguranță

### Avertizări generale de siguranță privind uneltele electrice



**Avertisment!** Citiți toate avertizările de siguranță, instrucțiunile, ilustrațiile și specificațiile furnizate împreună cu această unealtă electrică. Nerespectarea avertizărilor și a instrucțiunilor enumerate în continuare poate conduce la electrocutare, incendii și/sau vătămări grave.

**Păstrați toate avertizările și instrucțiunile pentru consultare ulterioară.** Termenul „unealtă electrică” din toate avertizările enumerate mai jos se referă la unealta electrică (cu cablu) alimentată de la rețeaua principală de energie sau la unealta electrică (fără cablu) alimentată de la baterie.

#### 1. Siguranța în zona de lucru

- Păstrați zona de lucru curată și bine iluminată.** Zonele dezordonate sau întunecate înlesnesc accidentele.
- Nu operați uneltele electrice în atmosfere explozive, cum ar fi în prezența lichidelor, gazelor sau pulberilor explozivi.** Uneltele electrice generează scântei ce pot aprinde pulberile sau vaporii.
- Țineți la distanță copiii și persoanele din jur în timp ce operați o unealtă electrică.** Distragerea atenției poate conduce la pierderea controlului.

#### 2. Siguranța electrică

- Ștecherile uneltelor electrice trebuie să se potrivească cu priza. Nu modificați niciodată ștecherul în vreun fel. Nu folosiți adaptoare pentru ștechere împreună cu uneltele electrice împământate (legate la masă).** Ștecherile nemodificate și prizele compatibile vor reduce riscul de electrocutare.
- Evitați contactul corpului cu suprafețele împământate precum țevi, radiatoare, cuptoare și frigider.** Există un risc sporit de electrocutare în cazul în care corpul dumneavoastră este în contact cu suprafețele împământate sau legate la masă.
- Nu expuneți uneltele electrice la ploaie sau condiții de umezeală.** Apa pătrunsă într-o unealtă electrică va spori riscul de electrocutare.
- Nu manipulați necorespunzător cablul. Nu utilizați niciodată cablul pentru transportarea, tragerea sau scoaterea din priză a unelei electrice.**

**Țineți cablul departe de căldură, ulei, muchii ascuțite sau componente în mișcare.** Cablurile deteriorate sau încurcate sporesc riscul electrocutării.

- Atunci când operați o unealtă de lucru în aer liber, utilizați un prelungitor pentru exterior.** Utilizarea unui cablu adecvat pentru exterior reduce riscul de electrocutare.
  - În cazul în care operarea unei unelte electrice într-un spațiu cu umiditate nu poate fi evitată, utilizați o alimentare cu dispozitiv de protecție la curent rezidual (RCD).** Utilizarea unui dispozitiv RCD reduce riscul electrocutării.
- Siguranța corporală**
    - Fiți precauți, fiți atenți la utilizare și faceți uz de regulile de bun simț atunci când operați o unealtă electrică. Nu utilizați o unealtă electrică atunci când sunteți oboșiți sau când vă aflați sub influența drogurilor, alcoolului sau medicației.** Un moment de neatenție în timpul operării uneltelor electrice poate conduce la vătămări corporale grave.
    - Utilizați echipamentul de protecție corporală. Purtați întotdeauna ochelari de protecție.** Echipamentul de protecție precum măștile anti-praf, încălțăminta de siguranță antiderapantă, căștile sau dopurile pentru urechi utilizate pentru anumite condiții de lucru vor reduce vătămările corporale.
    - Preîntâmpinați pornirea accidentală. Asigurați-vă că comutatorul se află în poziția oprit înainte de conectarea la sursa de alimentare și/sau la acumulator, înainte de ridicarea sau transportarea uneltei.** Transportarea uneltelor electrice ținând degetul pe comutator sau alimentarea cu tensiune a uneltelor electrice ce au comutatorul în poziția pornit înlesnesc producerea accidentelor.
    - Îndepărtați orice cheie sau clește de reglare înainte de a porni unealta electrică.** O cheie sau un clește rămas atașat la o componentă rotativă a unelei electrice poate conduce la vătămări corporale.
    - Nu vă întindeți pentru a apuca unealta de lucru. Mențineți-vă întotdeauna stabilitatea și echilibrul.** Acest lucru permite un control mai bun al uneltei electrice în situații neașteptate.
    - Îmbrăcați-vă corespunzător. Nu purtați îmbrăcăminte largă sau bijuterii. Feriți-vă părul, îmbrăcăminta și mânușile față de componentele în mișcare.** Îmbrăcăminta largă, bijuteriile sau părul lung pot fi prinse în componentele în mișcare.
    - În cazul în care dispozitivele prezintă posibilitatea conectării de accesorii pentru aspirația și colectarea prafului, asigurați-vă că aceste accesorii sunt conectate și utilizate în mod corespunzător.**

Utilizarea dispozitivelor de colectare a prafului poate reduce pericolele impuse de existența prafului.

- h. Nu lăsați ca familiaritatea dobândită în urma utilizării frecvente a unelei să vă facă să deveniți neatent și să ignorați principiile de securitate ale unelei.** O acțiune neatentă poate cauza vătămarea gravă în decurs de o secundă.

#### 4. Utilizarea și întreținerea uneltelor electrice

- a. Nu forțați unealta electrică. Utilizați unealta electrică adecvată pentru aplicația dvs.**  
Unealta de lucru adecvată va efectua lucrarea mai bine și în mod mai sigur, în ritmul pentru care a fost concepută.
- b. Nu utilizați unealta electrică în cazul în care comutatorul nu comută în poziția pornit și oprit.** Orice unealtă electrică ce nu poate fi controlată cu ajutorul comutatorului este periculoasă și trebuie să fie reparată.
- c. Deconectați ștecherul de la sursa de alimentare și/sau acumulatorul de la unealta electrică înaintea efectuării oricăror reglaje, modificării accesoriilor sau depozitării uneltelor electrice.** Astfel de măsuri preventive de siguranță reduc riscul pornirii accidentale a uneltelor electrice.
- d. Nu depozitați uneltele electrice în stare inactivă la îndemâna copiilor și nu permiteți persoanelor nefamiliarizate cu unealta de lucru sau cu aceste instrucțiuni să o utilizeze.** Uneltele electrice sunt periculoase în mâinile utilizatorilor neinstruiți.
- e. Efectuați întreținerea uneltelor electrice. Verificați alinierea necorespunzătoare sau blocarea componentelor în mișcare, ruperea componentelor și orice altă stare ce ar putea afecta operarea uneltelor electrice.** În cazul deteriorării, precedeți repararea unelei electrice înainte de utilizare. Multe accidente sunt cauzate de unelte electrice întreținute necorespunzător.
- f. Păstrați uneltele de tăiat ascuțite și curate.** Este puțin probabil ca uneltele de tăiat cu tășuri ascuțite și întreținute în mod corespunzător să se blocheze, acestea fiind mai ușor de controlat.
- g. Utilizați unealta electrică, accesoriile și cuțitele uneltei etc. conform acestor instrucțiuni, ținând cont de condițiile de lucru și de lucrarea ce trebuie să fie efectuată.** Utilizarea unelei de lucru pentru operații diferite de cele conform destinației de utilizare ar putea conduce la situații periculoase.
- h. Țineți mânerul și suprafețele de prindere uscate, curate și lipsite de ulei și unsoare.** Mânerul și suprafețele de prindere alunecoase nu permit manipularea și controlul în siguranță a unelei în situații neașteptate.

#### 6. Service

- a. Reparația unelei de lucru trebuie făcută de către o persoană calificată și folosind exclusiv piese de schimb identice.** Astfel, vă asigurați că se menține siguranța în folosirea unelei.

#### Avertizări suplimentare de siguranță pentru unealta de lucru



**Avertisment!** Avertizări suplimentare de siguranță pentru șlefuitoare.

- ◆ **Țineți unealta electrică de suprafețele izolate pentru apucare deoarece suprafața de șlefuit poate atinge cablul unelei.** Tăierea unui cablu sub tensiune ar putea determina scurgerea curentului în componentele metalice expuse ale unelei electrice și ar putea electrocuta operatorul.
- ◆ **Utilizați clești sau o altă modalitate practică de a fixa și sprijini piesa de prelucrat pe o platformă stabilă.** Ținând piesa de prelucrat în mână sau sprijinită de corp, aceasta va fi instabilă și poate conduce la pierderea controlului.
- ◆ **Avertisment! Atingerea sau inhalarea pulberilor rezultate în urma aplicațiilor de șlefuire poate pune în pericol sănătatea operatorului și a persoanelor din jur.** Purtați o mască antipraf special concepută pentru protejarea împotriva pulberilor și fumurilor și asigurați-vă că persoanele din zona de lucru sau cele care pătrund în zona de lucru sunt, de asemenea, protejate.
- ◆ **Îndepărtați bine tot praful după șlefuire.**
- ◆ **Fiți foarte atenți atunci când șlefuiți suprafețe vopsite cu vopsea ce poate conține plumb sau atunci șlefuiți lemn și metal ce pot degaja pulberi toxice:**
  - ◆ **Nu permiteți copiilor sau femeilor însărcinate să pătrundă în zona de lucru.**
  - ◆ **Nu mâncați, nu beți și nu fumați în zona de lucru.**
  - ◆ **Eliminați în siguranță particulele de praf și orice alte reziduuri.**
- ◆ **Destinația de utilizare este descrisă în acest manual de instrucțiuni.**  
Utilizarea oricărui accesoriu sau atașament sau efectuarea oricărei operațiuni cu această unealtă diferite de cele recomandate în prezentul manual de instrucțiuni poate implica un risc de vătămare fizică și/sau daune asupra obiectelor.

#### Siguranța persoanelor din jur

- ◆ Acest aparat nu este destinat utilizării de către persoane (inclusiv copii) cu capacități fizice, senzoriale sau mentale reduse sau de către persoane lipsite de experiență și cunoștințe, cu excepția cazurilor în care acestea au fost supravegheate și instruite cu privire la utilizarea aparatului de către o persoană responsabilă pentru siguranța lor.

- ◆ Copiii trebuie să fie supravegheați, pentru a vă asigura că nu se joacă cu aparatul.

### Riscuri reziduale.

Pot surveni riscuri reziduale suplimentare în timpul utilizării uneltei, riscuri ce este posibil să nu fie incluse în avertizările de siguranță atașate. Aceste riscuri pot fi determinate de utilizarea incorectă, utilizarea prelungită etc.

Nici măcar în cazul aplicării regulamentelor de siguranță corespunzătoare și implementării dispozitivelor de siguranță, anumite riscuri reziduale nu pot fi evitate. Acestea includ:

- ◆ Vătămări cauzate de atingerea componentelor în rotire/mișcare.
- ◆ Vătămări cauzate în momentul schimbării componentelor, lamelor sau accesoriilor.
- ◆ Vătămări cauzate de utilizarea prelungită a unei unelte. La utilizarea unei unelte pe perioade prelungite, asigurați-vă că faceți pauze la intervale regulate.
- ◆ Afectarea auzului.
- ◆ Pericole asupra sănătății cauzate de inhalarea prafului rezultat în urma utilizării uneltei (exemplu:- prelucrarea lemnului, în special a stejarului, fagului și MDF.)

### Vibrațiile

Valorile declarate ale emisiilor de vibrații, menționate în specificația tehnică și în declarația de conformitate au fost măsurate în conformitate cu metoda standard de testare prevăzută de norma EN62841 și pot fi utilizate pentru compararea diverselor unelte. Valoarea declarată a emisiilor de vibrații poate fi utilizată, de asemenea, în cadrul unei evaluări preliminare în privința expunerii.

**Avertisment!** Valoarea emisiilor de vibrații în timpul utilizării efective a uneltei electrice poate diferi de valoarea declarată în funcție de modalitățile de utilizare ale uneltei. Nivelul vibrațiilor poate crește peste nivelul menționat.

În cazul evaluării expunerii la vibrații în scopul de a determina măsurile de siguranță solicitate de Directiva 2002/44/CE pentru protejarea persoanelor ce folosesc periodic unelte electrice la locul de muncă, trebuie avută în vedere o estimare a expunerii la vibrații, condițiile efective de utilizare și modalitatea de utilizare a uneltei, luând totodată în calcul toate componentele ciclului de operare precum perioadele în care uneltele este oprită și în care funcționează în gol, pe lângă perioadele în care survine blocarea acesteia.

### Etichetele prezente pe unelaltă

Simbolurile următoare sunt afișate pe unelaltă, împreună cu codul de data:



**Avertisment!** Pentru a reduce riscul vătămării, utilizatorul trebuie să citească manualul de instrucțiuni.

### Siguranța electrică



Această unelaltă prezintă izolare dublă; prin urmare, nu este necesară împământarea. Verificați întotdeauna ca alimentarea cu energie să corespundă tensiunii de pe plăcuța cu specificații.

- ◆ În cazul în care cablul de alimentare este deteriorat, acesta trebuie să fie înlocuit de producător sau de către un Centru de Service BLACK+DECKER autorizat pentru a evita pericolul.

### Descriere

Această unelaltă dispune de unele sau de toate caracteristicile următoare:

1. Întrerupător de pornire/oprire
2. Conector pentru extragerea prafului
3. Bază
4. Suport pentru vârf
5. Vârf bază de șlefuit
6. Accesoriu pentru detalii\*
7. Șurub
8. Vârf rombic

În plus, această unelaltă este furnizată cu unele sau toate accesoriile următoare:

Accesoriu	Aplicații recomandate și utilizare
Șmirghel cu granulație mare	Îndepărtarea rapidă a vopselei, lacului și ruginii
Șmirghel cu granulație medie	Îndepărtarea vopselei, lacului și ruginii
Șmirghel cu granulație fină	Uniformizarea și finisarea suprafețelor
Șmirghel cu granulație extra fină	Șlefuirea între straturi
Vârfuri pentru șlefuirea detaliilor	Colțuri și spații greu accesibile
1 dispozitiv pentru polișare/curățare	Șlefuirea metalelor, îndepărtarea lacului și curățarea sticlei
Talpă gri din spumă	Aplicarea și îndepărtarea lacului
Talpă roșie nețesută	Operațiuni dificile de curățare și îndepărtarea ruginii
Hârtie abrazivă gri	Polișarea materialelor plastice

**\*Vă rugăm să rețineți:** Este posibil ca accesoriul pentru detalii (6) să nu fie inclus la toate unitățile. Toate accesoriile sunt disponibile la vânzătorii BLACK+DECKER sau pe site-ul nostru web: [www.blackanddecker.co.uk](http://www.blackanddecker.co.uk).

### Asamblarea

**Avertisment!** Înainte de asamblare, asigurați-vă că unelalta este oprită și deconectată de la priză.

## Montarea foilor de șlefuit (fig. A și B)

- ◆ Desfaceți cele două vârfuri romnice (8) de pe foaia de șlefuit (9).
- ◆ Țineți unealta cu baza de șlefuit orientată în sus.
- ◆ Poziționați foaia de șmirghel (9) pe baza de șlefuit, asigurându-vă că orificiile din foaie de aliniază cu orificiile din bază.

Vârful rombic (8) poate fi întors și înlocuit atunci când se uzează.

- ◆ Atunci când partea din față a vârfului este uzată, desprindeți-o de pe foaie, întoarceți-o și apăsați-o din nou pe baza de șlefuit.
- ◆ Atunci când tot vârful este uzat, desprindeți-l de pe baza de șlefuit și montați un vârf nou.
- ◆ Spuma și tălpile de polișat (14) pot fi montate la fel ca și foile de șmirghel.

## Vârful bazei de șlefuit (fig. D)

Atunci când vârful bazei de șlefuit (5) sau suportul pentru vârf (4) sunt deteriorate, acestea pot fi montate invers sau înlocuite. Piesele de schimb sunt disponibile la reprezentantul dvs. BLACK+DECKER.

- ◆ Scoateți șurubul (7).
- ◆ Montați invers sau înlocuiți piesa uzată.
- ◆ Introduceți șurubul și strângeți-l.

## Accesorii pentru detalii (fig. D)

Accesorii pentru detalii este utilizat pentru șlefuirea de precizie a detaliilor.

- ◆ Scoateți șurubul (7).
- ◆ Desfaceți suportul vârfului rombic (4) de pe baza de șlefuit.
- ◆ Montați accesoriul pentru detalii (6) pe baza de șlefuit.
- ◆ Introduceți șurubul și strângeți-l.
- ◆ Montați foaia de șlefuit (11) corespunzătoare pe vârful pentru detalii.

## Utilizarea

**Avertisment!** Lăsați unealta să funcționeze în ritmul propriu. Nu o suprasolicitați.

**Avertisment!** Nu acoperiți orificiile de ventilație atunci când utilizați unealta. Țineți unealta așa cum este prezentat în fig. H. Asigurați-vă că baza de șlefuit este dreaptă pe piesa de prelucrat.

## Conectarea unui aspirator (fig. F)

Unealta dispune de un adaptor care se poate conecta la un aspirator atunci când șlefuiți lemn. Pentru a conecta unealta la un aspirator, procedați după cum urmează:

**Avertisment!** Asigurați-vă că unealta este oprită și deconectată de la priză.

- ◆ Montați conectorul pentru extragerea prafului (2) la adaptorul din spatele unelei.
- ◆ Conectați furtunul unui aspirator compatibil la conector.

## Pornirea și oprirea (fig. G)

**Avertisment!** Înainte de a conecta unealta la sursa de alimentare, asigurați-vă că este oprită.

- ◆ Pentru a porni unealta, apăsați partea întrerupătorului de pornire/oprire (1) marcată cu 'I'.
- ◆ Pentru a opri unealta, apăsați partea întrerupătorului de pornire/oprire (1) marcată cu 'O'.

## Accesorii

Performanța unelei dvs. depinde de accesoriul utilizat. Accesoriile BLACK+DECKER sunt proiectate la standarde înalte de calitate și concepute pentru a îmbunătăți performanța aparatului dvs. Folosind aceste accesorii, veți obține rezultate optime cu unealta dumneavoastră.

## Întreținerea

Unealta dvs. BLACK+DECKER a fost concepută pentru a opera o perioadă îndelungată de timp, cu un nivel minim de întreținere. Funcționarea satisfăcătoare continuă depinde de îngrijirea corespunzătoare a unelei și de curățarea periodică. Încărcătorul nu necesită nicio operație de întreținere în afara curățării periodice.

**Avertisment!** Scoateți încărcătorul înainte de efectuarea oricăror operații de întreținere sau de a curăța unealta.

- ◆ Curățați în mod regulat fantele de ventilare de pe unealtă folosind o perie moale sau o cârpă uscată.
- ◆ Curățați în mod regulat carcasa motorului folosind o cârpă umedă. Nu utilizați nicio soluție de curățare abrazivă sau pe bază de solvenți.

## Înlocuirea ștecherului de alimentare (numai pentru Regatul Unit și Irlanda)

În cazul în care trebuie instalat un ștecher de alimentare nou:

- ◆ Eliminați în siguranță ștecherul vechi.
- ◆ Conectați cablul maro la borna sub tensiune din ștecherul nou.
- ◆ Conectați conductorul albastru la borna neutră.

**Avertisment!** Nu trebuie efectuată nicio conexiune la borna de împământare. Urmați instrucțiunile de montaj furnizate împreună cu ștecherile de bună calitate. Siguranță recomandată: 5 A.

## Protejarea mediului înconjurător



Colectarea selectivă. Produsele și acumulatorii marcați cu acest simbol nu trebuie să fie aruncați împreună cu gunoiul menajer.

Produsele și bateriile conțin materiale care pot fi recuperate sau reciclate, reducând cererea de materii prime. Vă rugăm să reciclați produsele electrice și bateriile în conformitate cu prevederile locale. Mai multe informații sunt disponibile la [www.2helpU.com](http://www.2helpU.com).

## Specificații tehnice

		BEW230
Tensiune de intrare	V <sub>ca</sub>	230
Putere absorbită	W	55
Turație în gol	min <sup>-1</sup>	11.000
Greutate	kg	0,8

### Nivelul presiunii sonore conform cu EN 62841:

Presiune sonoră (L<sub>pa</sub>) 65 dB(A), marjă (K) 3 dB(A)  
Putere sonoră (L<sub>wa</sub>) 76 dB(A), marjă (K) 3 dB(A)

### Valorile totale ale vibrațiilor (suma vectorială a trei axe) conform cu EN 62841:

(a<sub>n</sub>) 12,5 m/s<sup>2</sup>, marjă (K) 1,5 m/s<sup>2</sup>

## Declarația de conformitate CE

DIRECTIVA PENTRU UTILAJE



Șlefuitor BEW230

Black & Decker declară că aceste produse descrise în „specificația tehnică” sunt conforme cu normele: 2006/42/EC, EN62841-1:2015, EN62841-2-4:2014.

Aceste produse sunt, de asemenea, conforme cu Directivele 2014/30/UE și 2011/65/UE. Pentru informații suplimentare, vă rugăm să contactați Black & Decker la următoarea adresă sau să consultați coperta din spate a manualului.

Subsemnatul este responsabil pentru întocmirea dosarului tehnic și face această declarație în numele Black & Decker.

*Patrick Diepenbach*

Patrick Diepenbach  
General Manager, Benelux  
Stanley FatMax,  
Egide Walschaertsstraat 14-18  
2800 Mechelen, Belgium  
24.08.2018

## Garanție

Black & Decker are încredere în calitatea produselor sale și le oferă clienților o garanție de 24 de luni de la data achiziției. Această garanție completează și nu prejudiciază în niciun fel drepturile dumneavoastră legale. Garanția este valabilă pe teritoriile Statelor Membre ale Uniunii Europene și în Zona Europeană de Comerț Liber.

Pentru a revendica garanția, cererea trebuie să fie în conformitate cu Termenii și condițiile Black & Decker și clientul va trebui să prezinte dovada de cumpărare la vânzător sau la un agent de reparații autorizat.

Termenii și condițiile garanției Black & Decker de 2 ani și localizarea celui mai apropiat agent de reparații autorizat pot fi obținute de pe Internet la [www.2helpU.com](http://www.2helpU.com) sau contactând biroul Black & Decker la adresa indicată în prezentul manual.

Vă rugăm să vizitați site-ul nostru [www.blackanddecker.co.uk](http://www.blackanddecker.co.uk) pentru a înregistra noul produs Black & Decker și pentru a fi informat cu privire la produsele noi și ofertele speciale.



Stanley Black & Decker Romania SRL  
Phoenicia Business Center  
Strada Turturelelor Nr. 11A, Etaj 4  
Module 12-15, Sect. 3, Bucuresti  
Tel: +4021.320.61.05  
Fax: +4037.225.36.84  
Email: Office.Bucharest@sbdinc.com

## Garanție legală de conformitate<sup>1</sup> pentru produsele Stanley Black & Decker

Produs: .....

COD: .....

Serie mașină: ...../.....

Serie acumulatori: ...../.....

Serie stație încărcare: .....

Distribuitorul (vanzător autorizat/magazin)/adresă, tel., fax:  
.....  
.....

Cumpărător: .....

Produs cumpărat cu factură/bon nr.: .....

Data: .....

Cumpărătorul a fost informat asupra caracteristicilor și a domeniului de utilizare ale produsului. S-a efectuat proba de funcționare a produsului, a fost instruit cumpărătorul cu privire la modul de funcționare și normele de siguranță a muncii, s-a predat produsul împreună cu accesoriile în perfectă stare de funcționare, s-au predat instrucțiunile în limba română privind transportul, depozitarea, utilizarea și întreținerea. S-a verificat corectitudinea datelor înscrise în garanția legală de conformitate „Documentul”).

### Condițiile de garanție de mai jos fac parte din prezentul document și au fost luate la cunoștință de către Cumpărător.

Persoana care aduce produsul și prezintă actele de proprietate (Documentul și factura sau bonul fiscal în original sau in copie) este considerată împuternicită să reprezinte proprietarul în relația cu distribuitorul (vanzătorul) autorizat.

Conform prevederilor legale<sup>2</sup>, consumatorii (consumator - orice persoană fizică sau grup de persoane fizice constituite în asociații, care acționează în scopuri din afara activității

sale comerciale, industriale sau de producție, artizanale ori liberale), într-un termen de doi ani de la livrarea produsului (termen de garanție legală), vor avea dreptul:

- să ceară repararea produsului sau înlocuirea acestuia, fără plată, într-o perioadă de timp rezonabilă ce nu poate depăși 15 zile calendaristice de la data la care a fost adusă la cunoștință lipsa conformității sau a predat produsul vânzătorului ori persoanei desemnate de acesta pe baza unui document de predare-preluare, cu excepția situației când această măsură este imposibilă (dacă nu se pot asigura produse identice pentru înlocuire) sau disproporționată (dacă impune costuri nerezonabile vânzătorului);
- să ceară reducerea corespunzătoare a prețului sau rezoluțiunea contractului în cazul în care nu beneficiază de repararea sau înlocuirea produsului sau măsurile reparatorii nu au fost luate într-o perioadă rezonabilă. Rezoluțiunea nu este posibilă dacă lipsa conformității este minoră;
- să aleagă între înlocuirea produsului sau rezoluțiunea contractului în cazul în care produsele de folosință îndelungată (produs complex, constituit din piese și subansambluri, proiectat și construit pentru a putea fi utilizat pe durată medie de utilizare și asupra căruia se pot efectua reparații sau activități de întreținere) defecte în termenul de garanție legală nu pot fi reparate sau durata cumulată de nefuncționare din cauza deficiențelor apărute în termenul de garanție legală depășește 10% din durata acestui termen.

După expirarea termenului de doi ani menționat mai sus, consumatorii pot pretinde remedierea sau înlocuirea produselor care nu pot fi folosite în scopul pentru care au fost realizate ca urmare a unor vicii ascunse apărute în cadrul duratei medii de utilizare, în condițiile legii.

Pentru produsele a căror durată medie de utilizare este mai mică de doi ani, termenul de doi ani, menționat mai sus se reduce la această durată.

<sup>1</sup> Garanția legală de conformitate reprezintă protecția juridică a consumatorului rezultată prin efectul legii în raport cu lipsa de conformitate, reprezentând obligația legală a vânzătorului față de consumator ca, fără solicitarea unor costuri suplimentare, să aducă produsul la conformitate, incluzând restituirea prețului plătit de consumator, repararea sau înlocuirea produsului, dacă acesta nu corespunde condițiilor enunțate în declarațiile referitoare la garanție sau în publicitatea aferentă

<sup>2</sup> Legea nr. 449/2003 privind vânzarea produselor și garanțiilor asociate acestora, Ordonanța Guvernului nr. 21/1992 privind protecția consumatorilor.

Consumatorul trebuie să informeze vânzătorul despre lipsa de conformitate în termen de două luni de la data la care a constatat-o.

Până la proba contrară, lipsa de conformitate apărută în termen de șase luni de la livrarea produsului se prezumă că a existat la momentul livrării acestuia, cu excepția cazurilor în care prezumția este incompatibilă cu natura produsului sau a lipsei de conformitate.

Durata medie de utilizare a produselor de 6 (șase) ani de la data achiziției.

Piese de schimb înlocuite la produs beneficiază de garanție numai în cazul în care acestea au fost montate într-un centru autorizat de întreținere și reparații.

În cadrul termenului de garanție, vânzătorul suportă toate costurile privind repararea sau înlocuirea pieselor de schimb executate defecte. Pentru lucrările de reparație executate se acordă garanție. Garanția nu se extinde asupra accesoriilor consumabilelor (precum baterii, furtunuri, curele, perii colectoare, lanțuri, cuțite, lance, pistol, cap prindere lamă, role ghidaj, cablu alimentare, întinzător lanț, bujii, ulei, filtre aer și benzină) care intră în componența produsului, cu excepția cazului în care acestea prezintă vicii ascunse.

Adăugați ulei la generatoarele **Black & Decker**. Verificați periodic nivelul de ulei al generatoarelor și compresoarelor. Este interzis a se utiliza generatoarele pentru invertare sau aparate de sudură.

Produsele din gamele **Black & Decker și Stanley FatMax** sunt de uz gospodăresc (bricolaj) și nu sunt destinate uzului profesional, prestării de servicii sau lucrări către terți.

#### **Situații în care nu vom repara produsele în baza garanției legale de conformitate**

1. Nerespectarea de către consumator a condițiilor de transport, manipulare, instalare, depozitare, utilizare (inclusiv scopul utilizării) și întreținere precizate în instrucțiunile ce însoțesc produsul (aplicabil, după caz).
2. Defectele care au apărut ca urmare a utilizării unor accesorii ori consumabile care nu sunt originale Stanley Black & Decker Romania ori care nu sunt compatibile cu produsul.
3. Produsul prezintă defecțiuni cauzate de necunoaștere, omitere, neglijență ori accident.

În cazul în care constatați deteriorări (lovituri/defecte) la produsele Stanley Black & Decker Romania, vă rugăm să vă adresați celui mai apropiat centru service autorizat menționat la adresa web-site-ului [www.2helpU.com](http://www.2helpU.com) ori vânzătorului.

Utilizatorii MyDeWALT și My STANLEY care își înregistrează în cel mult 28 de zile de la cumpărare produsele pe platformele destinate (<http://www.dewalt.ro/3/>, respectiv, <http://www.stanleyworks.ro/mystanley>) pot extinde gratuit garanția sculelor până la trei ani. Pentru a beneficia de această garanție este necesară prezentarea dovezii cumpărării, certificatul de garanție și imprimarea certificatului de garanție extinsă. Unele produse sunt excluse, pentru acestea se aplică Termenii și Condițiile DeWALT și Stanley.

#### **Garanția acordată persoanelor juridice**

În cazul persoanelor juridice termenul de garanție aplicabil este de un an. Acest termen de garanție este aplicabil tuturor produselor Stanley Black & Decker Romania, respectiv atât produselor pentru uz profesional cât și celor pentru uz gospodăresc (bricolaj).

În cadrul acestui termen, cumpărătorul persoană juridică poate solicita înlocuirea sau repararea produsului.

Situațiile care duc la pierderea garanției legale de conformitate, descrise mai sus, sunt aplicabile și în cazul garanției acordate persoanelor juridice.



**REPARAȚII ÎN PERIOADA DE GARANȚIE**

Data intrării:	Data reparației:	Defecțiune:
Comandă reparație:	Data predării:	
<i>Clientul confirmă prin semnătură executarea gratuită a reparației în garanție și primirea produsului reparat.</i>		
Semnătură client:	Semnătură și ștampilă service:	
Data intrării:	Data reparației:	Defecțiune:
Comandă reparație:	Data predării:	
<i>Clientul confirmă prin semnătură executarea gratuită a reparației în garanție și primirea produsului reparat.</i>		
Semnătură client:	Semnătură și ștampilă service:	
Data intrării:	Data reparației:	Defecțiune:
Comandă reparație:	Data predării:	
<i>Clientul confirmă prin semnătură executarea gratuită a reparației în garanție și primirea produsului reparat.</i>		
Semnătură client:	Semnătură și ștampilă service:	

## LISTA CENTRELOR SERVICE AUTORIZATE

Nr.	Oras	Agent Service	Adresa	Email	Telefon	Fax
1	Bucuresti	YALCO ROMANIA SRL	Sos. Pipera nr.48,020112	service@yalco.ro	+4021 232 31 47 +4021 232 31 49	+4021 232 31 76
2	Bucuresti	Edelweiss Grup SRL	Str. Drumul Osiei nr.76, 062395, Sector 6	service@edelweissgrup.ro	+4021 319 13 13	+4021 319 13 14
3	Ploiesti	METATOOLS SRL	Str. Poligonului Nr. 2 100070	service@Metatools.ro	+40374 473 034 +40747 118 112	+40244 406 698
4	Bacau	PARTENER SRL	Calea Moinești nr. 34, 600281	service@partner.ro	+4023 451 03 77	+40234 510 955
5	Cluj	EPINVEST S.R.L.	Str. Avram Iancului Nr. 502-504 407280	service@epinvest.ro	+40745 637 949	+40264 594 565
6	Baia Mare	PRO TOOLS S.R.L.	Str. Iuliu Maniu, Nr. 28 430131	office@protools.ro	+40262 218 794	+40262 276 535
7	Constanta	TRITON SRL	B-dul Aurel Vlaicu, Nr. 217	office@triton.com.ro	+4037 048 41 55	+4037 048 41 18
8	Tulcea	ABC International SRL	Str. Babadag, Nr. 5, Bl. 1, Sc. A, Parter	service@unelte.com.ro	+40240 518 260	+40240 517 669

## Použitie výrobku

Vaša brúska BLACK+DECKER BEW230 je určená na brúsenie a leštenie dreva, kovu, plastov a lakovaných povrchov. Toto náradie je určené iba na spotrebiteľské použitie.

## Bezpečnostné pokyny

### Všeobecné bezpečnostné pokyny pre prácu s elektrickým náradím



**Varovanie!** Preštudujte si všetky bezpečnostné výstrahy, pokyny, obrázky a technické údaje uvedené pre toto náradie. Nedodržanie nižšie uvedených varovaní a pokynov môže viesť k spôsobeniu úrazu elektrickým prúdom, k vzniku požiaru alebo k vážnemu zraneniu.

**Všetky bezpečnostné varovania a pokyny uschovajte na budúce použitie.** Termín „elektrické náradie“ vo všetkých upozorneniach odkazuje na vaše náradie napájané zo siete (je vybavené prívodným káblom) alebo náradie napájané akumulátorom (bez prívodného kábla).

#### 1. Bezpečnosť v pracovnom priestore

- Udržujte pracovný priestor čistý a dobre osvetlený.** Preplnený a neosvetlený pracovný priestor môže viesť k spôsobeniu úrazov.
- Nepracujte s elektrickým náradím vo výbušnom prostredí, ako sú napríklad priestory s výskytom horľavých kvapalín, plynov alebo prašných látok.** V elektrickom náradí dochádza k iskreniu, ktoré môže spôsobiť vznietenie horľavého prachu alebo výparov.
- Pri práci s elektrickým náradím zaistíte bezpečnú vzdialenosť detí a ostatných osôb.** Rozptyľovanie môže spôsobiť stratu kontroly nad náradím.

#### 2. Elektrická bezpečnosť

- Zástrčka prívodného kábla náradia musí zodpovedať zásuvke. Zástrčku nikdy žiadnym spôsobom neupravujte. Nepoužívajte pri uzemnenom elektrickom náradí žiadne upravené zástrčky.** Neupravené zástrčky a zodpovedajúce zásuvky znižujú riziko vzniku úrazu elektrickým prúdom.
- Nedotýkajte sa uzemnených povrchov, ako sú napríklad potrubia, radiátory, elektrické sporáky a chladničky.** Pri uzemnení vášho tela vzrastá riziko úrazu elektrickým prúdom.
- Nevystavujte elektrické náradie dažďu alebo vlhkému prostrediu.** Ak vnikne do elektrického náradia voda, zvýši sa riziko úrazu elektrickým prúdom.

- S prívodným káblom zaobchádzajte opatrne. Nikdy nepoužívajte prívodný kábel na prenášanie alebo posúvanie náradia a neťahajte zaň, ak chcete náradie odpojiť od elektrickej siete. Zabráňte kontaktu kábla s masťnými, horúcimi a ostrými predmetmi alebo pohyblivými časťami.** Poškodený alebo zapletený prívodný kábel zvyšuje riziko vzniku úrazu elektrickým prúdom.
- Pri práci s náradím vonku používajte predlžovacie káble určené na vonkajšie použitie.** Práca s káblom na vonkajšie použitie znižuje riziko úrazu elektrickým prúdom.
- Ak musíte s elektrickým náradím pracovať vo vlhkom prostredí, použite napájací zdroj s prúdovým chráničom (RCD).** Použitie prúdového chrániča (RCD) znižuje riziko úrazu elektrickým prúdom.

#### 3. Bezpečnosť osôb

- Pri použití elektrického náradia zostaňte stále pozorní, sledujte, čo robíte a pracujte s rozvahou. Nepoužívajte elektrické náradie, ak ste unavení alebo ak ste pod vplyvom drog, alkoholu alebo liekov.** Chvilka nepozornosti pri práci s elektrickým náradím môže viesť k vážnemu zraneniu.
- Používajte prvky osobnej ochrany. Vždy používajte ochranu zraku.** Ochranné prostriedky ako respirátor, protišmyková pracovná obuv, prilba a chrániče sluchu, používané v príslušných podmienkach, znižujú riziko poranenia osôb.
- Zabráňte náhodnému zapnutiu náradia. Pred pripojením zdroja napätia alebo pred vložením akumulátora a pred zdvihnutím alebo prenášaním náradia skontrolujte, či je vypínač v polohe vypnuté.** Prenášanie elektrického náradia s prstom na vypínači alebo pripojenie náradia k napájaciu zdroju, ak je vypínač náradia v polohe zapnuté, môže spôsobiť úraz.
- Pred spustením z náradia vždy odstráňte všetky kľúče alebo nastavovacie prípravky.** Nastavovacie kľúče ponechané na náradí môžu byť zachytené rotujúcimi časťami náradia a môžu spôsobiť úraz.
- Neprekážajte sami sebe. Pri práci vždy udržujte vhodný postoj a rovnováhu.** Tak je umožnená lepšia ovládateľnosť náradia v neočakávaných situáciách.
- Vhodne sa obliekajte. Nenoste voľný odev alebo šperky.** Dbajte na to, aby sa vaše vlasy, odev a rukavice nedostali do kontaktu s pohyblivými časťami. Voľný odev, šperky alebo dlhé vlasy môžu byť pohyblivými dielmi zachytené.
- Ak sú zariadenia vybavené adaptérom na pripojenie príslušenstva na zachytávanie prachu, zaistíte jeho správne pripojenie a riadnu funkciu.** Použitie týchto zariadení môže znížiť nebezpečenstvo týkajúce sa prachu.

- h. **Nedovoľte, aby častým používaním náradia došlo k familiárnosti, aby ste sa stali samofúbymi a aby ste ignorovali zásady bezpečnosti.** Bezstarostnosť môže spôsobiť vážne zranenie počas zlomku sekundy.
4. **Použitie elektrického náradia a jeho údržba**
- a. **Nepreťažujte elektrické náradie.** Používajte na vykonávanú prácu správny typ náradia. Pri použití správneho typu náradia bude práca vykonávaná lepšie a bezpečnejšie.
- b. **Ak nie je možné vypínač náradia zapnúť a vypnúť, s náradím nepracujte.** Každé elektrické náradie s nefunkčným vypínačom je nebezpečné a musí sa opraviť.
- c. **Pred nastavovaním náradia, pred výmenou príslušenstva alebo ak náradie nepoužívate, odpojte zástrčku prírodného kábla od zásuvky alebo z náradia vyberte akumulátor.** Tieto preventívne bezpečnostné opatrenia znižujú riziko náhodného zapnutia náradia.
- d. **Uložte elektrické náradie mimo dosahu detí a nedovoľte ostatným osobám, ktoré toto náradie nevedia ovládať, alebo ktoré nepoznajú tieto bezpečnostné pokyny, aby s týmto elektrickým náradím pracovali.** Elektrické náradie je v rukách nekvalifikovanej obsluhy nebezpečné.
- e. **Vykonávajte údržbu elektrického náradia.** Skontrolujte vychýlenie alebo zablokovanie pohyblivých častí, poškodenie jednotlivých dielov a iné okolnosti, ktoré môžu ovplyvniť chod náradia. Ak je náradie poškodené, nechajte ho opraviť. Mnoho nehôd býva spôsobených zanedbanou údržbou náradia.
- f. **Rezné nástroje udržiavajte ostré a čisté.** Riadne udržiavané rezné nástroje s ostrými reznými čepelmi sú menej náchylné na zablokovanie a lepšie sa s nimi pracuje.
- g. **Používajte toto elektrické náradie, príslušenstvo a pracovné nástroje podľa týchto pokynov a berte do úvahy prevádzkové podmienky a prácu, ktorá sa bude vykonávať.** Použitie elektrického náradia na iné účely, než na aké je určené, môže byť nebezpečné.
- h. **Udržiavajte rukoväti a všetky povrchy na uchopenie čisté a suché a dbajte na to, aby neboli znečistené olejom alebo mazivami.** Klzké rukoväti a povrchy na uchopenie neumožňujú bezpečnú manipuláciu a ovládateľnosť náradia v neočakávaných situáciách.
6. **Servis**
- a. **Opravy elektrického náradia zverte iba kvalifikovanému technikovi, ktorý bude používať originálne náhradné diely.** Tým zaistíte bezpečnú prevádzku náradia.

## Doplňkové bezpečnostné pokyny na prácu s elektrickým náradím



**Varovanie!** Ďalšie bezpečnostné pokyny týkajúce sa brúsok

- ◆ **Držte elektrické náradie za izolované rukoväti, pretože môže dôjsť ku kontaktu brúsnej základne s vlastným prírodným káblom.** Kontakt so „živým“ vodičom spôsobí, že neizolované kovové časti elektrického náradia budú takisto „živé“, čo môže obsluhu spôsobiť úraz elektrickým prúdom.
- ◆ **Na zaistenie a upnutie obrobku k pracovnému stolu používajte svorky alebo iné vhodné prostriedky.** Držanie obrobku rukou alebo opretie obrobku o časť tela nezaistí jeho stabilitu a môže viesť k strate kontroly.
- ◆ **Varovanie! Vyvarujte sa kontaktu alebo vdychnutia prachu vzniknutého pri práci s týmto náradím. Tento prach môže ohrozovať zdravie obsluhy a okolostojacich osôb.** Používajte masku proti prachu určenú špeciálne na ochranu pred toxickým prachom a podobnými látkami a zaistite, aby boli takto chránené všetky osoby nachádzajúce sa alebo vstupujúce do pracovného priestoru.
- ◆ **Po brúsení odstráňte všetok prach.**
- ◆ **Buďte veľmi opatrní pri brúsení náterov, ktoré môžu obsahovať olovo alebo pri brúsení určitých druhov dreva a kovu, pri ktorom môže vzniknúť toxický prach:**
  - ◆ Zamedzte vstupu detí a tehotných žien do pracovného priestoru.
  - ◆ V pracovnom priestore nejedzte, nepite a nefajčite.
  - ◆ Zaistite bezpečnú likvidáciu prachu a ostatných nečistôt.
- ◆ **V tomto návode je popísané určené použitie tohto náradia.** Použitie iného príslušenstva alebo prídavného zariadenia a vykonávanie iných pracovných operácií než sa odporúča týmto návodom, môže predstavovať riziko zranenia obsluhy alebo riziko spôsobenia hmotných škôd.

## Bezpečnosť ostatných osôb

- ◆ Tento výrobok nie je určený na použitie osobami (vrátane detí) so zníženými fyzickými, zmyslovými alebo duševnými schopnosťami, alebo s nedostatkom skúsenosti a znalostí, ak týmito osobám nebol stanovený dohľad, alebo ak im neboli poskytnuté inštrukcie týkajúce sa použitia výrobku osobou zodpovednou za ich bezpečnosť.
- ◆ Deti musia byť pod dozorom, aby bolo zaistené, že sa s týmto zariadením nebudú hrať.

## Zvyškové riziká

Ak sa toto zariadenie používa iným spôsobom, než je uvedené v priložených bezpečnostných varovaniach, môžu sa objaviť dodatočné zvyškové riziká.

Tieto riziká môžu vzniknúť v dôsledku nesprávneho použitia, dlhodobého použitia atď.

Napriek tomu, že sa dodržiavajú príslušné bezpečnostné predpisy a používajú sa bezpečnostné zariadenia, určité zvykové riziká sa nemôžu vylúčiť. Tieto riziká sú nasledujúce:

- ◆ Zranenia spôsobené kontaktom s akoukoľvek rotujúcou alebo pohybujúcou sa časťou.
- ◆ Zranenia spôsobené pri výmene dielov, nožov alebo príslušenstva.
- ◆ Zranenia spôsobené dlhodobým použitím náradia. Ak používate akékoľvek náradie dlhší čas, zaistíte, aby sa robili pravidelné prestávky.
- ◆ Poškodenie sluchu.
- ◆ Zdravotné riziká spôsobené vdychovaním prachu vytváraného pri použití náradia (napríklad práca s drevom, najmä s dubovým, bukovým a MDF).

### Vibrácie

Deklarovaná úroveň vibrácií uvedená v technických údajoch a vo vyhlásení o zhode sa merala v súlade so štandardnou skúšobnou metódou predpísanou normou EN62841 a môže sa použiť na porovnanie jednotlivých náradí medzi sebou. Deklarovaná úroveň vibrácií sa môže tiež použiť na predbežné stanovenie času práce s týmto náradím.

**Varovanie!** Úroveň vibrácií pri aktuálnom použití elektrického náradia sa môže od deklarovanej úrovne vibrácií líšiť v závislosti od spôsobu použitia náradia. Úroveň vibrácií môže byť vzhľadom na uvedenú hodnotu vyššia.

Pri stanovení času pôsobenia vibrácií z dôvodu určenia bezpečnostných opatrení podľa požiadaviek normy 2002/44/EC na ochranu osôb pravidelne používajúcich elektrické náradie v zamestnaní, musí predbežný odhad pôsobenia vibrácií brať na zreteľ aktuálne podmienky použitia náradia s prihliadnutím na všetky časti pracovného cyklu, ako sú časy, keď je náradie vypnuté a keď beží naprázdno.

### Štítky na náradí

Na náradí sú spoločne s dátumovým kódom nasledujúce piktogramy:



**Varovanie!** Z dôvodu zníženia rizika spôsobenia úrazu si používateľ musí prečítať návod na použitie.

### Elektrická bezpečnosť



Toto zariadenie je opatrené dvojitou izoláciou. Preto nie je nutné použiť uzemňovací vodič. Vždy skontrolujte, či napájacie napätie siete zodpovedá napätiu na výkonovom štítku.

- ◆ Ak je poškodený prívodný kábel, musí ho vymeniť výrobca alebo autorizovaný servis BLACK+DECKER, aby sa zabránilo možným rizikám.

### Popis

Tento výrobok sa skladá z niektorých alebo zo všetkých nasledujúcich častí.

1. Spínač zapnuté/vypnuté
2. Prípojka na odsávanie prachu
3. Základňa
4. Držiak špičky
5. Špička brúsnej základne
6. Úzky násadec\*
7. Skrutka
8. Špička v tvare kosoštvorca

Náradie sa okrem toho dodáva s niektorým alebo všetkým nasledujúcim príslušenstvom:

Príslušenstvo	Odporúčané aplikácie a použitia
Brúsny papier s hrubou zrnitosťou	Rýchle odstraňovanie farby, laku a hrdze
Brúsny papier so strednou zrnitosťou	Odstraňovanie farby, laku a hrdze
Brúsny papier s jemnou zrnitosťou	Zjednocovanie a konečná úprava povrchu
Brúsny papier s veľmi jemnou zrnitosťou	Brúsenie medzi jednotlivými vrstvami
Špičky na brúsenie detailov	Rohy a zle prístupné miesta
Leštiaca/čistiaca vlna 1 OT	Leštenie kovov, odstraňovanie lakov a čistenie skla
Sivá leštiaca huba	Aplikácia a odstránenie leštidla
Červená netkaná textilná	Náročné čistenie a odstraňovanie hrdze
Sivý brúsny papier	Leštenie plastov

**\*Uvedomte si, prosím!** Úzke príslušenstvo (6) sa nemusí dodávať so všetkými modelmi. Kompletné príslušenstvo môžete kúpiť u najbližšieho autorizovaného predajcu BLACK+DECKER alebo na našich internetových stránkach: [www.blackanddecker.co.uk](http://www.blackanddecker.co.uk).

### Zostavenie

**Varovanie!** Pred zostavením sa uistite, či je náradie vypnuté a či je prívodný kábel odpojený od sieťovej zásuvky.

### Upevnenie listov brúsneho papiera (obr. A a B)

- ◆ Oddeľte od brúsneho listu (9) dve špičky v tvare kosoštvorca (8).
- ◆ Držte náradie tak, aby bola brúsna základňa hore.
- ◆ Položte na brúsnu základňu list brúsneho papiera (9) a uistite sa, či sú otvory v brúsnom papieri zarovnané s otvormi v základni.

Ak je špička v tvare kosoštvorca (8) opotrebovaná, môže sa obrátiť a potom vymeniť.

- ◆ Ak je predná časť špičky opotrebovaná, oddelte ju od listu, obráťte ju a znovu ju pritlačte k brúsnej základni.
- ◆ Hneď ako bude opotrebovaná celá špička, odoberte ju z brúsnej základne a použite novú špičku.
- ◆ Leštiacu hubu a podložky (14) je možné upevniť rovnako ako listy brúsneho papiera.

### Špička brúsnej základne (obr. D)

Hneď ako budú špičky brúsnej základne (5) alebo držiaky špičky (4) opotrebované, môžu sa otočiť alebo vymeniť.

Náhradné diely si môžete kúpiť u autorizovaného predajcu BLACK+DECKER.

- ◆ Vyskrutkujte skrutku (7).
- ◆ Otočte alebo vymeňte opotrebovaný diel.
- ◆ Zaskrutkujte a utiahnite skrutku.

### Úzky prstový násadec (obr. D)

Úzky prstový nadstavec sa používa na jemné brúsenie detailov.

- ◆ Vyskrutkujte skrutku (7).
- ◆ Odoberte z brúsnej základne držiak špičky v tvare kosoštvorca (4).
- ◆ Pripevnite k brúsnej základni úzky násadec (6).
- ◆ Zaskrutkujte a utiahnite skrutku.
- ◆ Upevnite na úzky prstový násadec zodpovedajúci brúsny list (11).

### Použitie

**Varovanie!** Nechajte náradie pracovať jeho vlastným tempom. Zamedzte preťažovaniu.

**Varovanie!** Pri prevádzke náradia nezakrývajte vetracie otvory. Náradie držte spôsobom znázomeným na obr. H. Dbajte na to, aby bola brúsna základňa naplocho na obrobok.

### Pripojenie odsávacieho zariadenia (obr. F)

Náradie je vybavené adaptérom na pripojenie odsávacieho zariadenia pri brúsení dreva. Pri pripájaní náradia k odsávaciemu zariadeniu postupujte nasledovne:

**Varovanie!** Uistite sa, či je náradie vypnuté a či je prívodný kábel odpojený od sieťovej zásuvky.

- ◆ Nasadte prípojku na odsávanie prachu (2) na adaptér na zadnej časti náradia.
- ◆ Pripojte k prípojke hadicu vhodného zariadenia na odsávanie prachu.

### Zapnutie a vypnutie (obr. G)

**Varovanie!** Pred pripojením napájania skontrolujte, či je náradie vypnuté.

- ◆ Ak chcete náradie zapnúť, stlačte spínač zapnuté/vypnuté (1) s označením „I“.
- ◆ Ak chcete náradie vypnúť, stlačte spínač zapnuté/vypnuté (1) s označením „0“.

### Príslušenstvo

Výkon vášho náradia závisí od používaného príslušenstva. Príslušenstvo BLACK+DECKER je navrhnuté a vyrobené podľa noriem pre vysokú kvalitu a je určené na zvýšenie výkonu vášho zariadenia. Použitím tohto príslušenstva docielite najlepší výsledok, aký vám vaše náradie môže poskytnúť.

### Údržba

Vaše náradie BLACK+DECKER bolo skonštruované tak, aby pracovalo dlhý čas s minimálnymi nárokmi na údržbu. Dôkladná starostlivosť o náradie a jeho pravidelné čistenie vám zaisťujú jeho bezproblémový chod.

Vaša nabíjačka nevyžaduje žiadnu údržbu okrem pravidelného čistenia.

**Varovanie!** Pred vykonávaním akejkoľvek údržby alebo čistením náradia odpojte jeho prívodný kábel od sieťovej zásuvky.

- ◆ Vetracie otvory náradia pravidelne čistíte mäkkou kefkou alebo suchou handričkou.
- ◆ Pomocou vlhkej handričky pravidelne čistíte kryt motora. Nepoužívajte žiadne abrazívne čistiace prostriedky alebo rozpúšťadlá.

### Výmena sieťovej zástrčky

#### (iba pre Veľkú Britániu a Írsko)

Ak budete inštalovať novú zástrčku prívodného kábla:

- ◆ Bezpečne zlikvidujte starú zástrčku.
- ◆ Pripojte hnedý vodič k svorke pod napätím na novej zástrčke.
- ◆ Modrý vodič pripojte k nulovej svorke.

**Varovanie!** Na uzemňovaciu svorku nebude pripojený žiadny vodič. Dodržujte montážne pokyny dodávané s kvalitnými zástrčkami. Odporúčaná poisťka: 5 A.

### Ochrana životného prostredia



Triedzte odpad. Výrobky a akumulátory označené týmto symbolom sa nesmú vyhadzovať do bežného domáceho odpadu.

Výrobky a akumulátory obsahujú materiály, ktoré je možné obnoviť alebo recyklovať, čo znižuje dopyt po surovinách. Recyklujte, prosím, elektrické výrobky a akumulátory podľa miestnych predpisov. Ďalšie informácie nájdete na internetovej adrese [www.2helpU.com](http://www.2helpU.com).

### Technické údaje

		BEW230
Vstupné napätie	V	230
Príkon	W	55
Otáčky naprázdno	min <sup>-1</sup>	11 000
Hmotnosť	kg	0,8

**Hladina akustického tlaku podľa normy EN 62841:**

Akustický tlak ( $L_{pA}$ ) 65 dB (A), odchýlka (K) 3 dB (A)  
 Akustický výkon ( $L_{WA}$ ) 76 dB(A), odchýlka (K) 3 dB(A)

**Celková úroveň vibrácií (priestorový vektorový súčet) podľa normy EN 62841:**

( $a_h$ ) 12,5 m/s<sup>2</sup>, odchýlka (K) 1,5 m/s<sup>2</sup>

**ES Vyhlásenie o zhode v rámci EÚ**

SMERNICA PRE STROJOVÉ ZARIADENIA



Brúška BEW230

Spoločnosť Black & Decker vyhlasuje, že produkty popísané v technických údajoch spĺňajú požiadavky nasledujúcich noriem:

2006/42/EC, EN62841-1:2015, EN62841-2-4:2014.

Tieto výrobky spĺňajú taktiež požiadavky smerníc 2014/30/EÚ a 2011/65/EÚ. Ak chcete získať ďalšie informácie, kontaktujte, prosím, spoločnosť Black & Decker na tejto adrese alebo na adresách, ktoré sú uvedené na konci tohto návodu.

Nižšie podpísaná osoba je zodpovedná za zostavenie technických údajov a vydáva toto vyhlásenie v zastúpení spoločnosti Black & Decker.

Patrick Diepenbach  
 General Manager, Benelux  
 Stanley FatMax,  
 Egide Walschaertsstraat 14-18  
 2800 Mechelen, Belgium  
 24. 8. 2018

**Záruka**

Spoločnosť Black & Decker je presvedčená o kvalite svojich výrobkov a ponúka spotrebiteľom záruku 24 mesiacov od dátumu kúpy. Táto záruka sa ponúka v prospech zákazníka a nijako neovplyvní jeho zákonné záručné práva. Táto záruka je platná vo všetkých členských štátoch EÚ a európskej zóny voľného obchodu EFTA.

Ak požadujete reklamáciu v rámci záruky, táto reklamácia musí spĺňať obchodné podmienky spoločnosti Black & Decker a predajcovi alebo autorizovanému servisu budete musieť predložiť doklad o kúpe.

Obchodné podmienky týkajúce sa záruky spoločnosti Black & Decker v trvaní 2 rokov a adresu najbližšieho autorizovaného servisu nájdete na internetovej adrese **www.2helpU.com**, alebo kontaktujte najbližšieho autorizovaného predajcu Black & Decker na adrese uvedenej v tomto návode.

Navštívte, prosím, naše internetové stránky **www.blackanddecker.co.uk**, kde môžete zaregistrovať Váš nový výrobok Black & Decker a kde môžete získať informácie o našich nových výrobkoch a špeciálnych ponukách.

**STANLEY BLACK & DECKER SLOVAKIA S.R.O.**

Vysoká 2/b

811 06 Bratislava

Tel.: 00420 261 009 772

Fax: 00420 261 009 784

www.blackanddecker.sk

obchod@sbdinc.com

**STANLEY BLACK & DECKER CZECH REPUBLIC S.R.O.**

Türkova 5b

149 00 Praha 4

Česká Republika

Tel.: 00420 261 009 772

Fax: 00420 261 009 784

Servis: 00420 244 403 247

www.blackanddecker.cz

obchod@sbdinc.com

**BAND SERVIS**

Paulínska 22

917 01 Trnava

Tel.: 00421 335 511 063

Fax: 00421 335 512 624

www.bandservis.sk

p.talajka@bandservis.sk

**BAND SERVIS**

Južná trieda 17 (budova TWD)

040 01 Košice

Tel.: 00421 556 233 155

bandservis@zoznam.sk

**BAND SERVIS**

K Pasekám 4440

760 01 Zlín

Tel.: 00420 577 008 550,1

Fax: 00420 577 008 559

www.bandservis.cz

bandservis@bandservis.cz

**BAND SERVIS**

Kláštorského 2

140 00 Praha 4

Tel.: 00420 244 403 247

Fax: 00420 241 770 167

j.kraus@bandservis.cz

www.bandservis.cz

bandservis@bandservis.cz



**CZ** ZÁRUČNÍ LIST**PL** KARTA GWARANCYJNA**H** JÓTÁLLÁSI JEGY**SK** ZÁRUČNÝ LIST

**CZ** měsíců  
**H** hónap

**24**

**PL** miesiące  
**SK** mesiacov

<b>CZ</b>	Výrobní kód	Datum prodeje	Razítko prodejny Podpis
<b>H</b>	Gyári szám	A vásárlás napja	Pecsét helye Aláírás
<b>PL</b>	Numer seryjny	Data sprzedaży	Stempel Podpis
<b>SK</b>	Číslo série	Dátum predaja	Pečiatka predajne Podpis

CZ

Adresy servisu  
Band Servis  
Klásterského 2  
CZ-140 00 Praha 4  
Tel.: 00420 244 403 247  
Fax: 00420 241 770 167

Band Servis  
K Pasekám 4440  
CZ-76001 Zlín  
Tel.: 00420 577 008 550,1  
Fax: 00420 577 008 559  
<http://www.bandservis.cz>

H

Black & Decker Központi  
Garanciális-és Márkaszerviz  
1163 Budapest  
(Sashalom) Thököly út 17.  
Tel.: 403-2260  
Fax: 404-0014  
[www.rotelkft.hu](http://www.rotelkft.hu)

PL

Adresy servisu centralnego  
ERPATECH  
ul. Bakaliowa 26  
05-080 Mościska  
Tel.: 022-8620808  
Fax: 022-8620809

SK

Adresa servisu  
Band Servis  
Paulínska ul. 22  
SK-91701 Trnava  
Tel.: 00421 335 511 063  
Fax: 00421 335 512 624

CZ Dokumentace záruční opravy

PL Przebieg napraw gwarancyjnych

H A garanciális javítás dokumentálása

SK Záznamy o záručných opravách

CZ	Číslo	Datum příjmu	Datum zakázky	Číslo zakázky	Závada	Razítko Podpis
H	Sorszám	Bejelentés időpontja	Javítási időpont	Javítási munkalapszám	Hiba jelleg oka	Pecset Aláírás
	Jótállás új határideje					
PL	Nr.	Data zgłoszenia	Data naprawy	Nr. zlecenia	Przebieg naprawy	Stempel Podpis
SK	Číslo dodávky	Dátum nahlásenia	Dátum opravy	Číslo objednávky	Popis poruchy	Pečiatka Podpis

## Namjena

Vaša BLACK+DECKER BEW230 brusilica projektirana je za brušenje i poliranje drveta, metala, plastike i obojanih površina. Ovaj je alat predviđen isključivo za amatersku upotrebu.

## Sigurnosne upute

### Opća sigurnosna upozorenja za električne alate



**Upozorenje!** Proučite sva sigurnosna upozorenja, upute, ilustracije i specifikacije isporučene uz ovaj električni alat. Nepoštivanje upozorenja i uputa navedenih u nastavku može rezultirati strujnim udarom, požarom i/ili ozbiljnim ozljedama.

**Upozorenja i upute čuvajte za slučaj potrebe.** Izraz "električni alat" u svim dolje navedenim upozorenjima odnosi se na električni alat napajan putem gradske mreže (sa žicom) ili električni alat napajan akumulatorskom baterijom (bez žice).

#### 1. Sigurnost na radnome mjestu

- Radno područje održavajte čistim i dobro osvijetljenim.** Zakrčeni ili mračni prostori dovode do nezgoda.
- S električnim alatima nemojte raditi u eksplozivnom okruženju, kao što je blizina zapaljivih tekućina, plinova ili prašine.** Električni alati stvaraju iskre koje mogu zapaliti prašinu ili pare.
- Prilikom rada s električnim alatom držite podalje promatrače i djecu.** Zbog odvratanja pozornosti mogli biste izgubiti nadzor nad uređajem.

#### 2. Zaštita od električne struje

- Utikači električnih alata moraju odgovarati utičnicama.** Nikad i ni na koji način ne prepravljajte utikač. Pri upotrebi električnih alata s uzemljenjem ne koristite prilagodne utikače. Neizmijenjeni utikači i odgovarajuće utičnice smanjit će rizik od strujnog udara.
- Izbjegavajte fizički kontakt s uzemljenim površinama poput cijevi, radijatora, metalnih okvira i hladnjaka.** Ako je tijelo uzemljeno, rizik od strujnog udara je povećan.
- Električne alate ne izlažite kiši ni vlazi.** Prodiranje vode u električni alat povećat će rizik od strujnog udara.
- Kabel ne upotrebljavajte za nepredviđene namjene.** Kabel ne upotrebljavajte za nošenje, povlačenje ili odvajanje utikača alata iz električne utičnice. Kabel držite daleko od izvora topline, ulja i oštiri ili pokretnih dijelova. Oštećeni ili zapleteni kabel povećat će rizik od strujnog udara.
- Pri radu s električnim alatom na otvorenom, upotrijebite produžni kabel pogodan za upotrebu na otvorenom.** Upotreba kabela prikladnog za otvorene prostore smanjuje rizik od strujnog udara.

- Ako nije moguće izbjeći korištenje električnog alata u vlažnim uvjetima, upotrijebite napajanje s diferencijalnom sklopkom za zaštitu od neispravnosti uzemljenja (RCD).** Upotreba sklopke na diferencijalnu struju (RCD) smanjuje rizik od strujnog udara.

#### 3. Osobna sigurnost

- Pri radu s električnim alatom budite oprezni, usredotočeni na rad i primjenjujte zdravorazumski pristup. Ne koristite električni alat ako ste umorni ili pod utjecajem droga, alkohola ili lijekova.** Trenutak nepažnje tijekom rada s električnim alatom može dovesti do ozbiljnih ozljeda.
  - Rabite opremu za osobnu zaštitu. Uvijek koristite zaštitu za oči.** Upotreba zaštitne opreme poput maske protiv prašine, sigurnosnih neklizajućih cipela, šljema ili zaštite sluha u odgovarajućim uvjetima smanjit će rizik od tjelesnih ozljeda.
  - Spriječite nenamjerno uključivanje. Prije priključivanja u električnu mrežu ili umetanja baterije, kao i prije uzimanja ili nošenja alata, provjerite je li prekidač u isključenom položaju.** Nošenje električnog alata tako da je prst na prekidaču ili priključivanje električnog alata kojemu je prekidač uključen dovodi do nezgoda.
  - Prije nego što uključite uređaj, uklonite s njega sve ključeve i alate za podešavanje.** Ostavljanje ključa na rotirajućem dijelu električnog alata može dovesti do ozljeda.
  - Ne posežite predaleko. Pazite na ravnotežu i zauzmite stabilan položaj.** To omogućuje bolji nadzor nad električnim alatom u neočekivanim situacijama.
  - Nosite prikladnu odjeću. Ne nosite široku odjeću ili nakit. Kosu, odjeću i rukavice uvijek držite daleko od pokretnih dijelova.** Pokretni dijelovi mogu zahvatiti labavu obučenu odjeću, nakit ili dugu kosu.
  - Ako postoji mogućnost priključivanja uređaja za usisavanje i prikupljanje prašine, osigurajte njihovo pravilno povezivanje i upotrebu.** Upotreba uređaja za prikupljanje prašine može smanjiti opasnosti vezane uz prašinu.
  - Ne dopustite da poznavanje alata koje ste stekli temeljem česte uporabe alata dovede do samozadovoljstva i zanemarivanja sigurnosnih propisa za alate.** Nemarna radnja može izazvati tešku ozljedu u djeliću sekunde.
- #### 4. Upotreba i čuvanje električnih alata
- Električni alat nemojte forsirati. Upotrijebite odgovarajući električni alat za posao koji obavljate.** Prikladan električni alat bolje će i sigurnije obaviti posao brzinom za koju je predviđen.

- b. **Ne upotrebljavajte električni alat ako se prekidač ne može prebaciti u isključeni ili uključeni položaj.** Svaki električni alat kojim se ne može upravljati pomoću prekidača predstavlja opasnost i potrebno ga je popraviti.
  - c. **Prije podešavanja, zamjene pribora ili pohranjivanja električnog alata isključite utikač iz utičnice ili odvojite akumulatorsku bateriju.** Ove sigurnosne mjere smanjuju rizik od nehotičnog pokretanja električnog alata.
  - d. **Električne alate koji se ne upotrebljavaju pohranite izvan dohvata djece i ne dopustite rad osobama koje nisu upoznate s ovim alatom ili ovim uputama.** Električni alati opasni su ako njima rade nestručni korisnici.
  - e. **Električne alate treba održavati.** Provjerite ima li kakvih otklona, savinutih ili napuklih dijelova ili bilo kakvih drugih stanja koja mogu utjecati na rad električnog alata. **Ako je alat oštećen, popravite ga prije upotrebe.** Velik broj nezgoda uzrokovan je loše održanim električnim alatima.
  - f. **Rezne dijelove alata održavajte oštrima i čistima.** Pravilno održavanje reznih alata i njihovih oštrica smanjuje mogućnost savijanja i olakšava upravljanje.
  - g. **Električni alat, pribor, nastavke i sl. upotrebljavajte u skladu s ovim uputama te uzimajući u obzir radne uvjete i posao koji je potrebno obaviti.** Upotreba električnog alata za poslove za koje nije predviđen može dovesti do opasnih situacija.
  - h. **Rukohvate i prihvatne površine održavajte suhima, čistima i bez prisutnosti ulja ili masti.** Klizavi rukohvati i prihvatne površine ne omogućuju sigurno rukovanje i upravljanje alatom u neočekivanim situacijama.
- 6. Servisiranje**
- a. **Električne alate servisirajte kod kvalificiranog serviseru i upotrebom identičnih zamjenskih dijelova.** To omogućuje sigurnu uporabu alata.

### Dodatna sigurnosna upozorenja za električne alate



**Upozorenje!** Dodatna upozorenja o sigurnosti za brusilice.

- ◆ **Električni alat pridržavajte za izolirane rukohvate jer bi površina za grubo brušenje mogla doći u dodir sa svojim kabelom.** U slučaju rezanja žice pod naponom, taj se napon može prenijeti na metalne dijelove alata i izazvati strujni udar.
- ◆ **Upotrijebite stezaljke ili na drugi praktičan način učvrstite radni materijal za stabilnu podlogu.** Pridržavanje radnog materijala rukom ili njegovu oslanjanje na tijelo nije sigurno i može dovesti do gubitka nadzora.

- ◆ **Upozorenje! Kontakt s prašinom ili udisanje prašine koja se pojavljuje pri brušenju može ugroziti zdravlje rukovatelja i moguće promatrače.** Nosite masku za prašinu posebno projektiranu za zaštitu od prašine i dimova i osigurajte da budu zaštićene i osobe koje se nalaze u radnom području ili ulaze u njega.
- ◆ **Temeljito uklonite svu prašinu nakon brušenja.**
- ◆ **Budite posebno oprezni kada brusite boju koja je možda na bazi olova ili kada brusite neke komade drveta i metala koji mogu izazvati toksičnu prašinu:**
  - ◆ **Ne dopustite djeci i trudnicama da uđu u radno područje.**
  - ◆ **Nemojte jesti, piti ili pušiti u radnom području.**
  - ◆ **Zbrinite čestice prašine i druge ostatke na siguran način.**
- ◆ **Predviđena namjena opisana je u priručniku.** Upotreba bilo kojeg dodatnog dijela ili opreme, kao i izvođenje bilo kojih postupaka pomoću ovog alata koji nisu opisani u ovom priručniku mogu predstavljati opasnost od tjelesne ozljede i/ili materijalne štete.

### Sigurnost drugih osoba

- ◆ Ovaj uređaj nije namijenjen upotrebi od strane osoba sa smanjenim fizičkim, osjetilnim ili mentalnim sposobnostima, (uključujući i djecu) ni osoba s nedostatkom iskustva ili znanja, osim ako ih osoba zadužena za njihovu sigurnost nadzire ili im je pružila upute za sigurnu upotrebu uređaja.
- ◆ Djecu je potrebno nadgledati kako se ne bi igrala uređajem.

### Stalno prisutni rizici.

Tijekom upotrebe alata mogu nastati dodatni rizici, koji nisu navedeni u priloženim sigurnosnim upozorenjima. Ti rizici mogu nastati uslijed nepravilne upotrebe, duge upotrebe itd. Čak i uz primjenu važećih sigurnosnih propisa i sigurnosnih uređaja, neke stalno prisutne rizike nije moguće izbjeći. Oni obuhvaćaju:

- ◆ Ozljede uzrokovane dodirivanjem rotirajućih/pokretnih dijelova.
- ◆ Ozljede prouzrokovane tijekom promjene dijelova, oštrica ili dodatne opreme.
- ◆ Ozljeda prouzrokovane produljenom upotrebom alata. Radite redovite pauze tijekom dulje upotrebe bilo kojeg alata.
- ◆ Oštećenje sluha.
- ◆ Opasnosti za zdravlje uslijed udisanja prašine nastale tijekom upotrebe alata (npr. tijekom rada s drvom, osobito hrastovinom, bukvinom i ivericom).

## Vibracije

Deklarirane vrijednosti emisija vibracija, koje su navedene u tehničkim podacima i izjavi o usklađenosti, izmjerene su u skladu sa standardiziranom metodom ispitivanja navedenom u normi EN62841 i mogu se koristiti za međusobno uspoređivanje alata. Deklarirana vrijednost emisija vibracija može se koristiti i za preliminarno procjenjivanje izloženosti.

**Upozorenje!** Vibracije tijekom stvarne upotrebe električnog alata mogu se razlikovati od deklariranih vrijednosti, ovisno o načinima na koje se alat koristi. Razina vibracija može porasti iznad navedene razine.

Pri ocjenjivanju izloženosti vibracijama kako bi se odredile sigurnosne mjere prema dokumentu 2002/44/EC za zaštitu osoba koje redovito koriste električne alate potrebno je uzeti u obzir procjenu izloženosti vibracijama, stvarne uvjete i način upotrebe alata, uključujući i sve dijelove radnog ciklusa, kao što je vrijeme od isključivanja alata do potpunog zaustavljanja i vrijeme od uključivanja do postizanja pune radne brzine.

## Oznake na alatu

Na uređaju su uz datumsku oznaku navedeni sljedeći simboli upozorenja:



**Upozorenje!** Da biste smanjili rizik od ozljeda, pročitajte priručnik s uputama.

## Zaštita od električne struje



Ovaj alat dvostruko je izoliran te žica uzemljenja nije potrebna. Uvijek provjerite odgovara li električno napajanje naponu navedenom na opisnoj oznaci.

- ◆ Ako je kabel napajanja oštećen, mora ga zamijeniti proizvođač ili ovlašten servis tvrtke BLACK+DECKER kako bi se izbjegle opasnosti.

## Značajke

Ovaj alat obuhvaća neke ili sve od sljedećih značajki.

1. Prekidač za uključivanje/isključivanje
2. Spajač za odvođenje prašine
3. Postolja
4. Držač nastavka
5. Nastavak postolja za brušenje
6. Priključak za prste \*
7. Vijak
8. Nastavak u obliku dijamanta

Osim toga, alat ima neki ili cijeli sljedeći pribor:

Dodatni pribor	Preporučena primjena i uporaba
Brusni papir grube granulacije	Brzo uklanjanje boje, laka i hrđe
Brusni papir srednje granulacije	Uklanjanje boje, laka i hrđe

Dodatni pribor	Preporučena primjena i uporaba
Brusni papir fine granulacije	Miješanje i završna obrada površine
Brusni papir posebno fine granulacije	Brušenje između slojeva
Nastavak za detaljno brušenje	Kutovi i teško dostupna mjesta
1 OT vuna za poliranje/guljenje	Poliranje metala, guljenje laka i čišćenje stakla
Siva pjenasta podloška	Primjena i uklanjanje poliranja
Crvena netkana podloška	Teško guljenje i uklanjanje hrđe
Sivi brusni papir	Poliranje plastike

\***Uzmite u obzir:** Priključak za prste (6) možda nije uključen u sve jedinice. Sav pribor raspoloživ je kod prodavatelja proizvoda BLACK+DECKER ili na našoj internetskoj stranici: [www.blackanddecker.co.uk](http://www.blackanddecker.co.uk).

## Sastavljanje

**Upozorenje!** Prije sastavljanja provjerite je li alat isključen i odvojen od električnog napajanja.

### Postavljanje brusnih papira (sl. A i B)

- ◆ Odvojite dva nastavka u obliku dijamanta (8) s brusnog papira (9).
- ◆ Držite alat s postoljem za brušenje prema gore.
- ◆ Postavite brusni papir (9) na postolja za brušenje i osigurajte da se otvori na papiru preklapaju s otvorima na postolju.

Nastavak u obliku dijamanta (8) može se preokrenuti i zamijeniti kada se istroši.

- ◆ Kada se prednji dio nastavka istroši, odvojite ga s papira, preokrenite ga i ponovno ga pritisnite na postolja za brušenje.
- ◆ Kada se cijeli nastavak istroši, uklonite ga s postolja za brušenje i postavite novi nastavak.
- ◆ Pjena i podlošci za poliranje (14) mogu se postaviti na isti način kao i brusni papiri.

### Nastavak postolja za brušenje (sl. D)

Kada se nastavak postolja za brušenje (5) ili držač nastavka (4) istroši, može se preokrenuti ili zamijeniti. Zamjenski dijelovi raspoloživi su kod vašeg BLACK+DECKER dobavljača.

- ◆ Uklonite vijak (7).
- ◆ Preokrenite ili zamijenite istrošeni dio.
- ◆ Postavite i zategnite vijak.

### Priključak za prst (sl. D)

Priključak za prst upotrebljava se za fino detaljno brušenje.

- ◆ Uklonite vijak (7).

- ◆ Uklonite držač nastavka u obliku dijamanta (4) s postolja za brušenje.
- ◆ Postavite priključak za prst (6) na postolja za brušenje.
- ◆ Postavite i zategnite vijak.
- ◆ Postavite odgovarajući brusni papir (11) na priključak za prst.

## Upotreba

**Upozorenje!** Pustite alat da radi svojim tempom.

Ne preopterećujte alat.

**Upozorenje!** Ne prekrivajte ventilacijske otvore kada upotrebljavate alat. Držite alat prema prikazu na sl. H. osigurajte da postolja za brušenje bude ravno na radnom materijalu.

## Priključivanje usisivača (sl. F)

Alat ima adapter za spajanje na usisivač kada brusite drvo. Da spojite alat na usisivač, postupite kako slijedi:

**Upozorenje!** Osigurajte da je alat isključen i utikač izvučen.

- ◆ Postavite spajач za odvođenje prašine (2) na adapter na stražnjem dijelu alata.
- ◆ Spojite crijevo odgovarajućeg usisivača na spajач.

## Uključivanje i isključivanje (sl. G)

**Upozorenje!** Prije spajanja alata na napajanje osigurajte da je on isključen.

- ◆ Za uključivanje alata pritisnite dio prekidača za uključivanje/isključivanje (1) označen kao 'I'.
- ◆ Za isključivanje alata pritisnite dio prekidača za uključivanje/isključivanje (1) označen kao '0'.

## Dodatni pribor

Karakteristike alata ovise o upotrijebljenom dodatnom priboru. Dodatni pribor tvrtke BLACK+DECKER proizveden je uz visoke standarde i projektiran kako bi poboljšao karakteristike alata. Korištenjem tog dodatnog pribora vaš će alat pružiti najbolje od svojih mogućnosti.

## Održavanje

Ovaj BLACK+DECKER alat projektiran je za dugotrajnu upotrebu uz minimalno održavanje. Neprekinuta i zadovoljavajuća upotreba ovisi o pravilnom održavanju i redovitom čišćenju.

Ovaj punjač ne zahtijeva nikakvo održavanje osim redovitog čišćenja.

**Upozorenje!** Prije održavanja alata izvadite izvucite punjač iz utičnice prije nego što ga očistite.

- ◆ Utope za prozračivanje na alatu redovito čistite mekim kistom, četkom ili suhom krpom.
- ◆ Kućište motora redovito čistite vlažnom krpom. Ne upotrebljavajte abrazivna ili sredstva za čišćenje na bazi otapala.

## Zamjena električnog utikača (samo za U.K. i Irsku)

Ako je potrebno postaviti novi strujni utikač:

- ◆ Na siguran način zbrinite stari utikač.
- ◆ Smeđi vodič spojite na fazni priključak novog utikača.
- ◆ Plavi vodič spojite na neutralni priključak u utičnici.

**Upozorenje!** Na priključak uzemljenja nije potrebno ništa povezivati. Slijedite upute za ugradnju isporučene uz utikač dobre kvalitete. Preporučeni osigurač: 5 A.

## Zaštita okoliša



Odlazite sa zasebnim otpadom. Proizvodi i baterije označeni ovim simbolom ne smiju se odlagati s komunalnim otpadom.

Proizvodi i baterije sadrže materijale koji se mogu reciklirati radi smanjenja potrošnje sirovina i očuvanja prirodnih resursa. Električne proizvode i baterije reciklirajte sukladno lokalnim propisima. Više informacija dostupno je na adresi [www.2helpU.com](http://www.2helpU.com).

## Tehnički podaci

		BEW230
Ulazni napon	V <sub>AC</sub>	230
Ulazna snaga	W	55
Brzina bez opterećenja	min <sup>-1</sup>	11.000
Masa	kg	0,8

### Razina zvučnog tlaka prema EN 62841:

Zvučni tlak (L<sub>WA</sub>) 65 dB(A), nesigurnost (K) 3 dB(A)  
Zvučna snaga (L<sub>WA</sub>) 76 dB(A), nesigurnost (K) 3 dB(A)

### Ukupne vibracije (troosni vektorski zbroj) prema EN 62841:

(a<sub>h</sub>) 12,5 m/s<sup>2</sup>, nesigurnost (K) 1,5 m/s<sup>2</sup>

## EU izjava o usklađenosti DIREKTIVA O STROJEVIMA



BEW230 brusilica

Black & Decker izjavljuje da su proizvodi opisani u odjeljku "tehnički podaci" u skladu sa sljedećim propisima: 2006/42/EZ, EN62841-1:2015, EN62841-2-4:2014.

Ovi proizvodi također su usklađeni s direktivama 2014/30/EU i 2011/65/EU.

Za dodatne informacije kontaktirajte tvrtku Black & Decker putem sljedeće adrese ili pogledajte prilog pri kraju priručnika.

Doje potpisani odgovoran je za usklađenost tehničke dokumentacije i ovu izjavu iznosi u ime tvrtke Black & Decker.



Patrick Diepenbach  
General Manager, Benelux  
Black and Decker, 2800 Mechelen,  
Belgium

Stanley Fat Max Europe, Egide Walschaertsstraat14-18,  
2800 Mechelen, Belgium  
24.8.2018.

## Jamstvo

Black & Decker siguran je u kvalitetu svojih proizvoda i svojim kupcima pruža 24-mjesečno jamstvo od datuma kupnje. Ovo jamstvo dodatak je vašim zakonskim pravima i ni na koji ih način ne narušava. Ovo jamstvo valjano je na području država članica Europske unije i Europske zone slobodnog trgovanja.

Da biste potraživali jamstvo, ono mora biti sukladno uvjetima i odredbama tvrtke Black & Decker, a prodavaču ili ovlaštenom servisu potrebno je priložiti dokaz o kupnji.

Uvjete i odredbe dvogodišnjeg jamstva tvrtke Black & Decker te lokaciju najbližeg ovlaštenog servisa pronaći ćete na internetu na adresi **www.2helpU.com**, ili putem lokalnog ureda tvrtke Black & Decker na adresi navedenoj u ovom priručniku.

Posjetite našu web-lokaciju **www.blackanddecker.co.uk** kako biste registrirali svoj novi Black & Decker proizvod i provjerili nove proizvode i posebne ponude.

## JAMSTVENA IZJAVA

- ◆ Jamčimo da navedeni proizvod koji smo isporučili nema nedostataka ili grešaka u konstrukciji ili tvorničkoj montaži.
- ◆ Jamstveni rok je 24 mjeseci od dana kupnje. Jamčimo da će navedeni proizvod koji smo isporučili u jamstvenom roku ispravno funkcionirati kod normalne upotrebe ukoliko će se korisnik pridržavati priloženih uputa o uporabi.
- ◆ Jamčimo da je za isporučeni proizvod osigurano servisno održavanje i potrebni rezervni dijelovi u toku 7 godina od datuma kupnje.
- ◆ Obvezujemo se na zahtjev imatelja jamstvenog lista podnesenog u jamstvenom roku, o svom trošku osigurati otklanjanje kvarova i nedostataka proizvoda koji proizlaze iz nepodudarnosti stvarnih sa propisanim, odnosno deklariranim karakteristikama kvalitete proizvoda. Popravak se obvezujemo izvršiti u roku od 45 dana od dana prijave kvara. Ako proizvod ne popravimo u tom roku obvezujemo se zamijeniti ga novim ili vratiti uplaćenu svotu.
- ◆ Jamstvo vrijedi uz predočenje originalnog računa prodavača te pravilno ispunjenog jamstvenog lista ovjerenog pečatom prodavača.
- ◆ Troškove prijevoza odnosno prijenosa proizvoda koji nastaju pri popravku odnosno njegovoj zamjeni u garantnom roku snosi nositelj jamstva. Bez obzira na način dostave ovlaštenom servisu, kupac je obavezan podignuti proizvod po izvršenom servisnom popravku i isto potvrditi svojim potpisom.
- ◆ Nepravilnosti koje su nastale nestručnim rukovanjem, rukovanjem suprotnim navedenim u uputama ili mehaničkim oštećenjem isključene su iz jamstva.
- ◆ Proizvod ne smije biti prethodno otvaran ili popravljan od strane neovlaštenih osoba.
- ◆ Ako popravak traje duže od 14 dana, jamstveni rok se produžuje za trajanje servisa.

## RADOVI I DIJELOVI OBUHVAĆENI JAMSTVOM

- ◆ Kvarovi nastali greškom prilikom tvorničkog sklapanja i pakiranja
- ◆ Puknuća lomovi dijelova strojeva i alata prouzročeni nekvalitetnim materijalom tj. tvorničkom greškom
- ◆ Indirektni kvarovi uzrokovani točkom 2
- ◆ Kvarovi nastali odmah po puštanju stroja/ uređaja u rad

## RADOVI I DIJELOVI KOJI NISU PREDMET JAMSTVA

1. Oštećena i kvarovi nastali:
  - ◆ Prilikom nepravilnog sastavljanja uređaja od strane kupca
  - ◆ Nepravilnim rukovanjem i nenamjenskim korištenjem
  - ◆ Korištenjem neadekvatnih goriva, maziva, napona, opterećenja
  - ◆ Servisiranjem ili rastavljanjem uređaja od strane neovlaštenih osoba
2. Dijelovi koji spadaju u potrošni materijal:
  - ◆ Kvarovi nastali nedovoljnim održavanjem ili servisiranjem
  - ◆ Kvarovi nastali radi preopterećivanja ili pregrijavanja uređaja ili njihovih sastavnih dijelova

TIP PROIZVODA:	
Prodajno mjesto:	Pečat:
Datim prodaje:	Potpis:



**Ovlašteni Serviseri:****ALATI MAŠIĆ**

Županijska 38, 31000 OSIJEK  
 T: 00 385 (0) 31 200 888  
 M: 00 385 (0) 98 506 174

**ALATI MILIĆ D.O.O.**

Mirka Viriusa 2, 10090 ZAGREB  
 T: 00 385 (0)1 3734 791  
 T: 00 385 (0)9 137 33 000  
 F: 00 385 (0)1 3906 790  
 info@alatomilic.hr  
<http://www.alatomilic.hr/>

**ELEKTROMECHANIKA TERLEVIĆ d.o.o.**

Ročka 39, 52440 POREČ  
 T: 00 385 (0) 52 438 297  
 F: 00 385 (0) 52 438 297  
 elektroterlevic@inet.hr  
<http://elektromehanika-terlevic.hr/index.html>

**GEMMA SERVIS**

Andrije peruča 38, 51000 Rijeka  
 T: +38551217118  
 M: 098211784  
 F: +38551217118  
 gemma-servis@ri.t-com.hr  
<http://gemmaservis.fullbusiness.com>

**GROM d.o.o.**

Hrvatskih vladara 33, 22 243 MURTER  
 T: 00 385 95 909 6164  
 gromelectro@gmail.com

**MEĐIMURKA BS SERVIS**

Kalnička 6, 40000 ČAKOVEC  
 T: 00 385 (0) 40 384 660  
 M: 00 385 (0) 40 500 634  
 servis@medjimurka-bs.hr  
<http://profi-al.hr/zagreb-hrvatska/>

**PAVLOV ALATI**

Cesta Dr. F. Tuđmana 273, 21213 KAŠTEL  
 GOMILICA  
 T: 00 385 (0) 21 220 022  
 M: 00 385 (0) 21 221 122  
 F: 00 385 (0) 21 220 022  
 servis-pavlov@st.t-com.hr

**PROFI – AL OBRT**

Mikulinci 4a, 10010 ZAGREB  
 T: 00 385 (0)1 66 22 820  
 T: 00 385 (0)98 718 108  
 F: 00 385 (0) 1 66 22 823  
 info@profi-al.hr  
<http://profi-al.hr/zagreb-hrvatska/>

**TITAN d.o.o.**

Bogoslava Šuleka 19, 47000 KARLOVAC  
 T: 00 385 (0) 47 63 63 11  
 F: 00 385 (0) 47 63 63 10  
 info@titan.com.hr  
<http://www.titan.com.hr/>

**VERMA d.o.o.**

Pere Devčića 23, 10290 ZAPREŠIĆ  
 T: +385 1 3357 496  
 servis@verma.hr / verma@verma.hr  
[www.verma.hr](http://www.verma.hr)

## Naudojimo paskirtis

Šis BLACK+DECKER šlifuko šlifavimo BEW230 skirtas medienai, metalui, plastikui ir dažytiems paviršiams šlifuoti ir poliruoti. Šis įrankis skirtas naudoti tik butyje.

## Saugos instrukcijos

### Bendrieji elektrinių įrankių saugos įspėjimai



**Įspėjimas!** Perskaitykite visus su šiuo elektriniu įrankiu pateiktus saugos įspėjimus, nurodymus, iliustracijas ir specifikacijas. Jei bus nesilaikoma toliau pateiktų įspėjimų ir nurodymų, gali kilti elektros smūgio, gaisro ir (arba) sunkaus sužeidimo pavojus.

**Išsaugokite visus įspėjimus ir nurodymus ateičiai.** Sąvoka „elektrinis įrankis“ visuose toliau pateiktuose nurodymuose reiškia į elektros tinklą jungiamą (laidinį) arba akumuliatorinį (belaidį) elektrinį įrankį.

#### 1. Darbo vietos sauga

##### a. Darbo vieta turi būti švari ir gerai apšviesta.

Užgrozintos ir tamsios vietos dažnai tampa nelaimingų atsitikimų priežastimi.

##### b. Nenaudokite elektrinių įrankių sprogiojoje aplinkoje, pvz., kur yra liepsniųjų skysčių, dujų arba dulkių.

Elektriniai įrankiai sukelia kibirkštis, nuo kurių gali užsidegti dulkės arba garai.

##### c. Dirbdami elektriniu įrankiu, neieškite artyn vaikų ir pašalinių asmenų. Jie gali blaškyti dėmesį ir dėl to galite nesuvaldyti įrankio.

#### 2. Elektros sauga

##### a. Elektrinių įrankių kištukai privalo atitikti elektros lizdus. Niekada niekaip nemodifikuokite kištuko. Su žemintais elektriniais įrankiais niekada nenaudokite jokių kištukinių adapterių. Nemodifikuoti, originalūs kištukai ir juos atitinkantys elektros lizdai sumažins elektros smūgio pavojų.

##### b. Venkite sąlyčio su žemintais paviršiais, pvz., vamzdžiais, radiatoriais, viryklėmis ir šaldytuvais. Kai kūnas žemintas, didėja elektros smūgio pavojus.

##### c. Nedirbkite šiuo įrankiu lietuje arba esant drėgnoms oro sąlygoms. Į elektrinį įrankį patekus vandens, didėja elektros smūgio pavojus.

##### d. Atsargiai elkitės su maitinimo kabeliu. Niekada neneškite elektrinio įrankio už kabelio, taip pat netraukite už kabelio kištuko iš lizdo. Saugokite kabelį nuo karščio, alyvos, aštrių kraštų arba judančių dalių. Pažeisti arba susinarpioję kabeliai didina elektros smūgio pavojų.

##### e. Dirbdami elektriniais įrankiais lauke, naudokite tam pritaikytą ilginimo kabelį. Naudojant darbui lauke tinkamą kabelį, sumažėja elektros smūgio pavojus.

##### f. Jei elektrinį įrankį neišvengiamai reikia naudoti drėgnoje aplinkoje, naudokite maitinimo šaltinį, apsaugotą liekamosios elektros srovės įtaisu (RCD). Naudojant RCD, mažėja elektros smūgio pavojus.

#### 3. Asmens sauga

##### a. Dirbdami elektriniu įrankiu, būkite budrus, žiūrėkite, ką darote ir vadovaukitės sveika nuovoka. Nenaudokite elektrinio įrankio pavargę arba apsvaigę nuo narkotikų, alkoholio ar vaistų. Akimirka nukreipus dėmesį, dirbant su elektriniais įrankiais galima sunkiai susižaloti.

##### b. Dėvėkite asmenines apsaugos priemones. Visada naudokite akių apsaugos priemones. Apsauginės priemonės, pvz., dulkių kaukė, apsauginiai batai neslidžiais padais, šalmas ar ausų apsaugos, naudojamos atitinkamomis sąlygomis, mažina susižeidimo pavojų.

##### c. Būkite atsargūs, kad netyčia nepaleistumėte įrenginio. Prieš prijungdami įrankį prie maitinimo tinklo ir (arba) įdėdami akumuliatorių, prieš paimdami ar nešdami įrankį, visuomet patikrinkite, ar išjungtas jo jungiklis. Nešant elektrinius įrankius uždėję pirštą ant jų jungiklio arba įjungiant įrankius į elektros tinklą, kai jų jungikliai yra įjungti, gali nutikti nelaimingų atsitikimų.

##### d. Prieš įjungdami elektrinį įrankį, pašalinkite nuo jo visus reguliavimo raktus ar veržliarakščius. Neištraukę veržliarakčio iš besisukančios elektros įrankio dalies, rizikuojate susižeisti.

##### e. Nesiekite per toli. Visuomet stovėkite tvirtai ir išlaikykite pusiausvyrą. Taip galėsite lengviau suvaldyti elektrinį įrankį netikėtose situacijose.

##### f. Dėvėkite tinkamą aprangą. Nedėvėkite laisvų drabužių arba papuošalų. Plaukus, drabužius ir pirštines laikykite atokiau nuo judančių dalių. Judančios dalys gali įtraukti laisvus drabužius, papuošalus ar ilgus plaukus.

##### g. Jei yra įrenginių, skirtų prijungti dulkių trauktuvus ir dulkių surinkimo prietaisus, būtina juos prijunkite ir tinkamai naudokite. Naudojant dulkių surinkimo įrenginius, galima sumažinti su dulkelėmis susijusius pavojus.

##### h. Net jei dažnai naudojate įrankiais, nepraraskite budrumo ir neignoruokite saugos principų. Elgiantis nerūpestingai, galima smarkiai susižaloti per mažą sekundės dalį.

#### 4. Elektrinių įrankių naudojimas ir priežiūra

##### a. Per daug neapkraukite elektrinio įrankio. Darbui atlikti naudokite tinkamą elektrinį įrankį.

Tinkamu elektriniu įrankiu geriau ir saugiau atliksite darbą tokiu greičiu, kuriam jis yra numatytas.

##### b. Nenaudokite elektrinio įrankio, jei jungiklis jo neįjungia arba neišjungia. Bet kuris elektrinis įrankis, kurio negalima valdyti jungikliu, yra pavojingas – jį privaloma pataisyti.

- c. Prieš atlikdami bet kokius reguliavimo, papildomų įtaisų keitimo arba paruošimo sandėliuoti darbus, atjunkite šį elektrinį įrankį nuo energijos šaltinio ir (arba) ištraukite akumuliatorių. Tokios apsauginės priemonės sumažina pavojų netyčia įjungti elektrinį įrankį.
- d. Nenaudojamus elektrinius įrankius laikykite vaikams nepasiekiamoje vietoje ir neleiskite jo naudoti su šiuo elektriniu įrankiu arba šiomis instrukcijomis nesuspazinusiems asmenims. Neparengtų naudotojų rankose elektriniai įrankiai kelia pavojų.
- e. rūpestingai prižiūrėkite elektrinius įrankius. Patikrinkite, ar tinkamai sulgyjuotos ir nestringa judančios dalys, ar nėra sulūžusių dalių ir kitų gedimų, kurie galėtų turėti įtakos elektrinių įrankių veikimui. Jei elektrinis įrankis apgadintas, prieš naudojant jį reikia sutaisyti. Dėl netinkamai prižiūrimų elektrinių įrankių įvyksta daug nelaimingų atsitikimų.
- f. Pjovimo įrankiai turi būti aštrūs ir švarūs. Tinkamai prižiūrimi pjovimo įrankiai aštriomis pjovimo briaunomis mažiau strigs, juos bus lengviau valdyti.
- g. Elektrinius įrankius, priedus, įrankių antgalius ir pan. naudokite vadovaudamiesi šiomis instrukcijomis ir atsizvelgdami į darbo sąlygas bei darbą, kurį reikia atlikti. Jei elektrinį įrankį naudosite ne pagal paskirtį, gali susidaryti pavojinga situacija.
- h. Rankenos ir paėmimo paviršiai turi būti sausi, švarūs, nealyvuoti ir netepaluoti. Slidžios rankenos ir suėmimo paviršiai netikėtose situacijose trukdys saugiai tvarkyti ir kontroliuoti įrankį.
6. Priežiūra
- a. Šį elektrinį įrankį privalo prižiūrėti kvalifikuotas remonto specialistas, naudodamas originalias atsargines dalis. Taip užtikrinsite saugų elektrinio įrankio veikimą.

## Papildomi elektrinių įrankių saugos įspėjimai



**Įspėjimas!** Papildomi šlifukočių saugos įspėjimai.

- ◆ Laikykite elektrinį įrankį už izoliuotų, suimti skirtų paviršių, nes šlifavimo paviršius gali paliesti įrankio kabelį. Perpjovus kabelį, kuriuo teka srovė, neuždengtose metalinėse elektrinio įrankio dalyse gali atsirasti įtampa ir operatorius gali gauti elektros smūgį.
- ◆ Naudokite spaustuvus arba kitą praktišką būdą ruošiniui pritvirtinti ir prilaikyti ant stabilios platformos. Laikant ruošinį ranka arba atrėmus į kūną, jis nėra stabilus, todėl galima prarasti kontrolę.
- ◆ Įspėjimas! Palietus arba įkvėpus šlifuojant kylančių dulkių, gali kilti pavojus operatoriaus ir šalia esančiųjų sveikatai.

Dėvėkite specialią, nuo dulkių bei dūmų apsaugančią kaukę ir užtikrinkite, kad taip pat būtų apsaugoti ir darbo vietoje esantys arba į ją įeinantys žmonės.

- ◆ Nušlifavę kruopščiai pašalinkite visas dulkes.
- ◆ Ypač būkite atsargūs šlifudami dažus, kurie galėtų būti pagaminti švino pagrindu, arba šlifudami medieną bei metalą, nuo kurių gali kilti nuodingų dulkių:
  - ◆ Į darbo vietą neleiskite vaikų ir nėščių moterų.
  - ◆ Darbo vietoje nevalgykite, negerkite ir nerūkykite.
  - ◆ Saugiai pašalinkite dulkių daleles bei kitas šiukšles.
- ◆ Šiame naudotojo vadove pateiktas naudojimo paskirties aprašymas. Naudojant šiame vadove nerekomenduojamus papildomus įtaisus arba priedus arba naudojant įrankį ne pagal naudojimo paskirtį, gali kilti susižalojimo ir (arba) turtinės žalos pavojus.

## Kitų asmenų sauga

- ◆ Šis prietaisas neskirtas naudoti asmenims (įskaitant vaikus) su ribotais fiziniais, jutimaisiais arba psichiniais gebėjimais, taip pat – patirties arba žinių stokojantiems asmenims, nebent juos prižiūri ir išmokė naudotis prietaisu asmuo, atsakingas už jų saugą.
- ◆ Visada prižiūrėkite vaikus, kad jie nežaistų su šiuo prietaisu.

## Liekamieji pavojai.

Naudojant šį įrankį, gali kilti liekamųjų pavojų, kurie gali būti nenurodyti pateiktuose saugos įspėjimuose. Šie pavojai gali kilti naudojant įrankį ne pagal paskirtį, ilgai naudojant įrankį ir pan.

Net ir pritaikius atitinkamus saugos nurodymus ir naudojant saugos įtaisus, tam tikrų liekamųjų pavojų išvengti neįmanoma. Galimi pavojai:

- ◆ susižalojimai prisilietus prie bet kurių besisukančių / judančių dalių;
- ◆ susižalojimai keičiant bet kokias dalis, peilius arba priedus;
- ◆ žala, patiriama įrankį naudojant ilgą laiką. Jei įrankį reikia naudoti ilgą laiką, būtina reguliariai darykite pertraukas;
- ◆ klausos pablogėjimas;
- ◆ sveikatai kylančios pavojai įkvėpus dulkių, susidariusių naudojant įrankį (pvz., apdirbant medieną, ypač ažuolą, beržą ir MDF).

## Vibracija

Techninių duomenų skyriuje ir atitiktis deklaracijoje pateiktos deklaruotosios vibracijos emisijos vertės išmatuotos standartiniu bandymų būdu pagal standartą EN62841; jos gali būti naudojamos siekiant palyginti vienus įrankius su kitais.

Deklaruojama vibracijos emisijos vertė taip pat gali būti naudojama preliminariam poveikiui įvertinti.

**Įspėjimas!** Elektrinio įrankio faktinio veikimo vibracijos emisija gali skirtis nuo nurodytojo dydžio, atsižvelgiant į tai, kokiais būdais naudojamas šis įrankis. Vibracijos lygis gali viršyti nurodytąjį lygį.

Vertinant vibracijos poveikį ir siekiant nustatyti apsaugos priemonės, reikalaujamas pagal 2002/44/EB žmonių, darbe reguliariai naudojančių elektrinius įrankius, apsaugai, reikia atsižvelgti į vibracijos poveikio įvertinimą, faktines įrankio naudojimo sąlygas ir naudojimo būdus, taip pat reikia atsižvelgti į visas darbo ciklo dalis, pvz., ne tik į įrankio naudojimo laiką, bet ir protarpus, kai įrankis būna išjungtas ir kai jis veikia laisvai.

### Ant įrankio pateikiamos etiketės

Kartu su datos kodu ant įrankio rasite pavaizduotus šiuos simbolius:



**Įspėjimas!** Siekdami sumažinti pavojų susižaloti, perskaitykite šį vadovą.

### Elektros sauga



Šis įrankis turi dvigubą izoliaciją, todėl žeminimo laido nereikia. Visada patikrinkite, ar elektros tinklo įtampa atitinka rodklių plokštelėje nurodytą įtampą.

- ◆ Jei maitinimo kabelis būtų pažeistas, siekiant išvengti pavojaus, jį nedelsiant privalo pakeisti įgaliotojo BLACK+DECKER serviso centro darbuotojas.

### Funkcijos

Šis įrankis turi kai kurias arba visas toliau nurodytas funkcijas.

1. Įjungiklis / išjungiklis
2. Dulkių ištraukimo jungtis
3. Pagrindas
4. Antgalio laikiklis
5. Šlifavimo pagrindo antgalis
6. Piršto papildomas įtaisas\*
7. Sraigtas
8. Rombo formos antgalis

Be to, šis įrankis teikiamas kartu su kai kuriais arba su visais šiais priedais:

Priedas	Rekomenduojama naudojimo sritis
Didelio rupumo švitrinis popierius	Spartus dažų, lako ir rūdžių šalinimas
Vidutinio rupumo švitrinis popierius	Dažų, lako ir rūdžių šalinimas
Smulkaus rupumo švitrinis popierius	Paviršiaus vienodinimas ir apdorojimas

Priedas	Rekomenduojama naudojimo sritis
Įtin smulkaus rupumo švitrinis popierius	Šlifavimas tarp dengimų
Detalioji šlifavimo antgaliai	Kampai ir sunkiai pasiekiamos vietos
1 OT poliravimo / šalinimo vata	Metallų poliravimas, lako šalinimas ir stiklo valymas
Pilkas poroloninis padas	Poliruokliui tepti ir šalinti
Raudonas neaustinis padas	Sunkusis šveitimas ir rūdžių šalinimas
Pilkas abrazyvinis popierius	Plastiko poliravimas

\***Atminkite.** Piršto papildomas įtaisas (6) su kai kuriais modeliais gali būti nepateikiamas. Visus priedus įsigysite iš savo BLACK+DECKER įgaliotojo atstovo arba per mūsų svetainę: [www.blackanddecker.co.uk](http://www.blackanddecker.co.uk).

### Surinkimas

**Įspėjimas!** Prieš surenkant įrankis turi būti išjungtas ir atjungtas nuo elektros tinklo.

### Šlifavimo popieriaus lakštų montavimas (A ir B pav.)

- ◆ Nuimkite du rombo formos antgalius (8) nuo šlifavimo popieriaus lakšto (9).
- ◆ Laikykite įrankį šlifavimo pagrindu aukštyn.
- ◆ Uždėkite šlifavimo popieriaus lakštą (9) ant šlifavimo pagrindo, lakšte esančias skylės sutapdinami su pagrindo skylėmis.

Susidėvėjusį rombo formos antgalį (8) galima apversti ir pakeisti.

- ◆ Kai priekinė antgalio dalis susidėvės, nuimkite ją nuo lakšto, apverskite ir vėl užspauskite ant šlifavimo pagrindo.
- ◆ Kai susidėvės visas antgalis, nuimkite jį nuo šlifavimo pagrindo ir sumontuokite naują antgalį.
- ◆ Poliravimo porolonai ir padai (14) gali būti panaudojami taip pat kaip ir šlifavimo popieriaus lakštai.

### Šlifavimo pagrindo antgalis (D pav.)

Nusidėvėjus šlifavimo pagrindo antgaliumi (5) arba antgalio laikikliu (4), pastarusius galima apversti arba pakeisti.

Atsarginių dalių įsigysite iš savo BLACK+DECKER įgaliotojo atstovo.

- ◆ Išsukite sraigta (7).
- ◆ Apverskite arba pakeiskite susidėvėjusią dalį.
- ◆ Įkiškite ir priveržkite sraigta.

### Piršto priedas (G pav.)

Pirštas naudojamas tiksliam detalių šlifavimui.

- ◆ Išsukite sraigta (7).

- ◆ Nuimkite rombo formos antgalio laikiklį (4) nuo šlifavimo pagrindo.
- ◆ Sumontuokite ant šlifavimo pagrindo piršto papildomą įtaisą (6).
- ◆ Įkiškite ir priveržkite sraigta.
- ◆ Ant piršto papildomo įtaiso sumontuokite tinkamą šlifavimo popieriaus lakštą (11).

## Naudojimas

**Įspėjimas!** Leiskite įrankiui veikti savo greičiu. Neperkraukite jo.

**Įspėjimas!** Naudodami įrankį, neuždenkite ventilacijos angų. Laikykite įrankį kaip parodyta H pav. Užtikrinkite, kad šlifavimo pagrindas būtų nustatytas plokščiai ruošinio atžvilgiu.

## Dulkių siurblio prijungimas (F pav.)

Įrankis turi adapterį, prie kurio galima prijungti dulkių siurbli, kai šlifuosite medieną. Norėdami prijungti prie įrankio dulkių siurbli, atlikite šiuos veiksmus:

**Įspėjimas!** Įrankis turi būti išjungtas ir atjungtas nuo elektros tinklo.

- ◆ Sumontuokite dulkių ištraukimo jungtį (2) ant adapterio (įrankio galinėje dalyje).
- ◆ Prijunkite prie jungties tinkamo dulkių siurblio žarna.

## Įjungimas ir išjungimas (G pav.)

**Įspėjimas!** Prieš jungdami prie maitinimo šaltinio, būtinai išjunkite įrankį.

- ◆ Norėdami įjungti įrankį, paspauskite įjungiklio / išjungiklio (1) dalį, pažymėtą „I“.
- ◆ Norėdami įrankį išjungti, paspauskite įjungiklio / išjungiklio (1) dalį, pažymėtą „0“.

## Priedai

Įrankio veikimas priklauso nuo naudojamo priedo. BLACK+DECKER papildomi įtaisai yra pagaminti laikantis aukštos kokybės standartų ir skirti pagerinti įrankio eksploatacines savybes. Naudojant šiuos papildomus įtaisus, įrankis veiks geriausiai.

## Techninė priežiūra

Šis BLACK+DECKER elektrinis įrankis skirtas ilgai eksploatuoti, prireikiant minimalios techninės priežiūros. Įrankis veiks kokybiškai ir ilgai, jei jį tinkamai prižiūrsite ir reguliariai valysite. Įkrovikliui nereikia jokios techninės priežiūros, išskyrus reguliarią valymą.

**Įspėjimas!** Prieš pradėdami įrankio techninės priežiūros ar valymo darbus, atjunkite įkroviklį.

- ◆ Įrankio ventilacijos angas reguliariai valykite minkštu šepetėliu arba sausa šluoste.
- ◆ Reguliariai drėgna šluoste nuvalykite variklio korpusą.

Nenaudokite jokių šveičiamųjų arba tirpiklių pagrindu pagamintų valiklių.

## Maitinimo kištuko keitimas (tik Jungtinės Karalystės ir Airijos naudotojams)

Jei reikia sumontuoti naują maitinimo kištuką:

- ◆ Saugiai išmeskite senąjį kištuką.
- ◆ Rudą laidą prijunkite prie naujo maitinimo kištuko srovės kontakto.
- ◆ Mėlyną laidą junkite prie neutralaus įvado.

**Įspėjimas!** Prie įžeminimo kontakto nieko jungti nereikia.

Vadovaukitės montavimo instrukcijomis, pateikiamomis su aukštos kokybės kištukais. Rekomenduojamas saugiklis: 5 A.

## Aplinkosauga



Atskiras surinkimas. Šiuo simboliu pažymėtų gaminių ir akumuliatorių negalima išmesti kartu su kitomis buitinėmis atliekomis.

Gaminuose ir akumuliatoriuose yra medžiagų, kurias galima pakartotinai panaudoti arba perdirbti: taip sumažinsite aplinkos taršą ir naujų žaliavų poreikį. Atiduokite elektrinius prietaisus ir akumuliatorius perdirbti, laikydamiesi vietinių reglamentų. Daugiau informacijos rasite tinklavietėje [www.2helpU.com](http://www.2helpU.com).

## Techniniai duomenys

	BEW230	
Išvesties įtampa	$V_{KS}$	230
Maitinimo įvadas	W	55
Apsukos be aprokovos	min. <sup>-1</sup>	11 000
Svoris	kg	0,8

Garso slėgio lygis pagal standartą EN 62841:
Garso slėgis ( $L_{pA}$ ) 65 dB(A), paklaida (K) 3 dB(A)
Garso galia ( $L_{WA}$ ) 76 dB(A), paklaida (K) 3 dB(A)

Bendros vibracijos vertės (triatiesio vektoriaus suma) pagal EN 62841:
( $a_{hv}$ ) 12,5 m/s <sup>2</sup> , paklaida (K) 1,5 m/s <sup>2</sup>

## EB atitikties deklaracija

MAŠINŲ DIREKTYVA



Šlifuoklas BEW230

„Black & Decker“ deklaruoja, kad šie gaminiai, aprašyti

„Techninių duomenų“ skyriuje, atitinka:

2006/42/EB, EN62841-1:2015, EN62841-2-4:2014.

Šie gaminiai taip pat atitinka direktyvos 2014/30/ES ir 2011/65/ES. Dėl papildomos informacijos prašome kreiptis į „Black & Decker“ įgaliotąjį atstovą toliau nurodytu adresu arba žr. vadovo pabaigoje pateiktą informaciją.

Toliau pasirašęs asmuo yra atsakingas už techninės bylos sukūrimą ir pateikia šią deklaraciją „Black & Decker“ vardu.

*Patrick Diepenbach*

Patrick Diepenbach  
General Manager, Benelux  
Black and Decker, 2800 Mechelen,  
Belgium  
Stanley Fat Max Europe, Egide Walschaertsstraat14-18,  
2800 Mechelen, Belgium  
2018-08-24

## Garantija

„Black & Decker“ neabejoja aukšta savo gaminių kokybe ir siūlo vartotojams 24 mėnesių trukmės garantiją, skaičiuojant nuo pirkimo datos. Ši garantija papildo, bet jokiais būdais nepanaikina jūsų įstatymais nustatytų teisių. Ši garantija galioja Europos Sąjungos valstybių narių ir Europos laisvosios prekybos zonos teritorijose.

Norint pasinaudoti šia garantija, privaloma laikytis „Black & Decker“ sąlygų ir nuostatų bei pardavėjui arba įgaliotajam remonto agentui pateikti pirkimą įrodantį dokumentą.

„Black & Decker“ 2 metų garantijos sąlygas ir nuostatus bei artimiausio įgaliotojo remonto agento adresą rasite svetainėje [www.2helpu.com](http://www.2helpu.com) arba gausite susisiekę su „Black & Decker“ vietos atstovybe šiaime vadove nurodytu adresu.

Apsilankykite mūsų interneto svetainėje adresu [www.blackanddecker.co.uk](http://www.blackanddecker.co.uk), užregistruokite savo naująjį „Black & Decker“ gaminį ir gaukite naujausios informacijos apie naujus gaminius bei specialius pasiūlymus.

## Paredzētā lietošana

Šī BLACK+DECKER slīpmašīna BEW230 ir paredzēta koksnes, metāla, plastmasas un krāsotu virsmu slīpēšanai un pulēšanai. Šis instruments paredzēts tikai personīgai lietošanai.

## Drošības norādījumi

### Vispārīgi elektroinstrumenta drošības brīdinājumi



**Brīdinājums!** Izlasiet visus drošības brīdinājumus, norādījumus, ilustrācijas un tehniskos datus, kas atrodas elektroinstrumenta komplektācijā. Ja netiek ievēroti turpmāk redzami brīdinājumi un norādījumi, var gūt elektriskās strāvas triecienu, izraisīt ugunsgrēku un/vai gūt smagus ievainojumus.

### Saglabājiet visus brīdinājumus un norādījumus

turpmākām uzzīnām. Termins "elektroinstruments" visos turpmākajos brīdinājumos attiecas uz elektroinstrumentu (ar vadu), ko darbina ar elektrības palīdzību, vai ar akumulatoru darbināmu elektroinstrumentu (bez vada).

#### 1. Darba zonas drošība

- Rūpējieties, lai darba zona būtu tīra un labi apgaismota.** Nesakārtotā un vāji apgaismotā darba zonā var izraisīt negadījumus.
- Elektroinstrumentus nedrīkst darbināt sprādzienbīstamā vidē, piemēram, viegli uzliesmojošu šķidrumu, gāzu vai putekļu tuvumā.** Elektroinstrumenti rada dzirksteles, kas var aizdedzināt putekļus vai izgarojumu tvaikus.
- Strādājot ar elektroinstrumentu, neļaujiet tuvumā atrasties bērniem un nepiederošām personām.** Novērsot uzmanību, jūs varat zaudēt kontroli pār instrumentu.

#### 2. Elektrodrošība

- Elektroinstrumenta kontaktdakšai jāatbilst kontaktlīgzdai. Kontaktdakšu nekādā gadījumā nedrīkst pārveidot. Iezemētiem elektroinstrumentiem nedrīkst izmantot pārejas kontaktdakšas.** Nepārveidotas kontaktdakšas un piemērotas kontaktlīgzdas rada mazāku elektriskās strāvas trieciena risku.
- Nepieskarieties iezemētām virsmām, piemēram, caurulēm, radiatoriem, plīfim un ledusskapjiem.** Ja jūsu ķermenis ir iezemēts, pastāv lielāks elektriskās strāvas trieciena risks.
- Elektroinstrumentus nedrīkst pakļaut lietus vai mitru laika apstākļu iedarbībai.** Ja elektroinstrumentā iekļūst ūdens, palielinās elektriskās strāvas trieciena risks.
- Lietojiet vadu pareizi. Nekad nepārnēsājiet, nevelciet vai neatvienojiet elektroinstrumentu no kontaktlīgzdas, turot to aiz vada.**

**Netuviniet vadu karstuma avotiem, eļļai, asām šķautnēm vai kustīgām detaļām.** Ja vads ir bojāts vai sapinies, pastāv lielāks elektriskās strāvas trieciena risks.

- e. **Strādājot ar elektroinstrumentu ārpus telpām, izmantojiet tādu pagarinājuma vadu, kas paredzēts lietošanai ārpus telpām.** Izmantojot vadu, kas paredzēts lietošanai ārpus telpām, pastāv mazāks elektriskās strāvas trieciena risks.
- f. **Ja elektroinstrumentu nākas ekspluatēt mitrā vidē, ierīkojiet elektrobarošanu ar noplūdstrāvas aizsargierīci.** Lietojot noplūdstrāvas aizsargierīci, mazinās elektriskās strāvas trieciena risks.

### 3. Personīgā drošība

- a. **Elektroinstrumenta lietošanas laikā esat uzmanīgs, skatieties, ko jūs darāt, rīkojieties saprātīgi. Nelietojiet elektroinstrumentu, ja esat noguris vai atrodāties narkotiku, alkohola vai medikamentu ietekmē.** Pat viens mirklis neuzmanības elektroinstrumentu ekspluatācijas laikā vai izraisīt smagus ievainojumus.
- b. **Lietojiet individuālos aizsardzības līdzekļus. Vienmēr valkājiet acu aizsargus.** Attiecīgos apstākļos lietojot aizsardzības līdzekļus, piemēram, putekļu masku, aizsargapavus ar neslīdošu zoli, aizsargķiveri vai ausu aizsargus, samazinās risks gūt ievainojumus.
- c. **Nepieļaujiet nejašu iedarbināšanu. Pirms instrumenta pievienošanas kontaktligzdai un/vai akumulatora pievienošanas, instrumenta pacelšanas vai pārnēsāšanas pārbaudiet, vai slēdzis ir izslēgtā pozīcijā.** Ja elektroinstrumentu pārnēsājat, turot pirkstu uz slēdža, vai ja kontaktligzdai pievienojat elektroinstrumentu ar ieslēgtu slēdzi, var rasties negadījumi.
- d. **Pirms elektroinstrumenta ieslēgšanas noņemiet no tā visas regulēšanas atslēgas vai uzgriežņu atslēgas.** Ja elektroinstrumenta rotējošajai daļai ir piestiprināta uzgriežņu atslēga vai regulēšanas atslēga, var gūt ievainojumus.
- e. **Nesniedzieties pārāk tālu. Vienmēr cieši stāviet uz piemērota atbalsta un saglabājiet līdzsvaru.** Tādējādi neparedzētās situācijās daudz labāk varat saglabāt kontroli pār elektroinstrumentu.
- f. **Valkājiet piemērotu apģērbu. Nevalkājiet pārāk brīvu apģērbu vai rotaslietas. Netuviniet matus, apģērbu un cimdus kustīgām detaļām.** Brīvs apģērbs, rotaslietas vai garī mati var iekļerties kustīgajās detaļās.
- g. **Ja instrumentam ir paredzēts pievienot putekļu atsūkšanas un savākšanas ierīces, tās jāpievieno un jālieto pareizi.** Lietojot putekļu savākšanas ierīci, var mazināt putekļu kaitīgo ietekmi.
- h. **Kaut arī jums ir labas iemaņas darbā ar instrumentiem, kas apgūtas, tos bieži lietojot, neaizmirstiet par piesardzību un instrumenta drošības noteikumu ievērošanu.**

Bezrūpīgas rīcības sekas var būt smagi ievainojumi, ko var gūt vienā acumirklī.

### 4. Elektroinstrumenta ekspluatācija un apkope

- a. **Nelietojiet elektroinstrumentu ar spēku. Izmantojiet konkrētām gadījumam piemērotu elektroinstrumentu.** Ar pareizi izvēlētu elektroinstrumentu tā efektivitātes robežās paveiksiet darbu daudz labāk un drošāk.
  - b. **Neekspluatējiet elektroinstrumentu, ja to ar slēdzi nevar ne ieslēgt, ne izslēgt.** Ja elektroinstrumentu nav iespējams kontrolēt ar slēdža palīdzību, tas ir bīstams un ir jāsalabo.
  - c. **Pirms elektroinstrumentu regulēšanas, piederumu nomaiņišanas vai novietošanas glabāšanā atvienojiet kontaktdakšu no barošanas avota un/vai no elektroinstrumenta izņemiet akumulatoru.** Šādu profilaktisku drošības pasākumu rezultātā mazinās nejaušas elektroinstrumenta iedarbināšanas risks.
  - d. **Glabājiet elektroinstrumentus, kas netiek darbināti, bērniem nepieejamā vietā un neatļaujiet tos ekspluatēt personām, kas nav apmācītas to lietošanā vai nepārzina šos norādījumus.** Elektroinstrumenti ir bīstami, ja tos ekspluatē neapmācītas personas.
  - e. **Veiciet elektroinstrumentu apkopi. Pārbaudiet, vai kustīgās detaļas ir pareizi savienotas un nostiprinātas, vai detaļas nav bojātas, kā arī vai nav kāds cits apstāklis, kas varētu ietekmēt elektroinstrumenta darbību.** Ja instruments ir bojāts, pirms ekspluatācijas tas ir jāsalabo. Daudzu negadījumu cēlonis ir tādi elektroinstrumenti, kam nav veikta pienācīga apkope.
  - f. **Regulāri uzasiniet un tīriet griežņus.** Ja griežņiem ir veikta pienācīga apkope un tie ir uzasināti, pastāv mazāks to iestrēgšanas risks, un tos ir vieglāk vadīt.
  - g. **Elektroinstrumentu, tā piederumus, detaļas u. c. ekspluatējiet saskaņā ar šiem norādījumiem, ņemot vērā darba apstākļus un veicamā darba specifiku.** Ja elektroinstrumentu izmanto mērķiem, kam tas nav paredzēts, var rasties bīstama situācija.
  - h. **Rūpējieties, lai rokturi un satveršanas virsmas vienmēr būtu sausi, tīri un lai uz tiem nebūtu eļļas un smērvielas.** Ja rokturi un satveršanas virsmas ir slideni, negaidītās situācijās instrumentu nevar savaldīt.
- ### 6. Remonts
- a. **Elektroinstrumentu drīkst remontēt vienīgi kvalificēts remonta speciālists, izmantojot tikai oriģinālās rezerves daļas.** Tādējādi tiek saglabāta elektroinstrumenta drošība.

### Elektroinstrumenta papildu drošības brīdinājumi



**Brīdinājums!** Papildu drošības noteikumi slīpmašīnām

- ◆ **Veicot darbu, turiet elektroinstrumentu pie izolētajām satveršanas virsmām, jo slīpēšanas virsma var saskarties ar instrumenta vadu.** Ja notiek saskare ar vadu, kurā ir strāva, visas elektroinstrumenta ārējās metāla virsmas vada strāvu, kā rezultātā operators var gūt elektriskās strāvas triecienu.
- ◆ **Izmantojiet spaiļes vai kādā citā praktiskā veidā nostipriniet un atbalstiet apstrādājamo materiālu uz stabilas platformas.** Turot materiālu ar roku vai pie sava ķermeņa, t. i., nestabilā stāvoklī, jūs varat zaudēt kontroli pār to.
- ◆ **Bridinājums! Putekļi, kas rodas slīpēšanas laikā, var kaitēt veselībai, ja operators vai tuvumā esošas personas nonāk saskarē ar putekļiem vai tos ieelpo.** Valkājiet putekļu masku, kas īpaši paredzēta aizsardzībai pret putekļiem un izgarojumiem, turklāt arī tām personām, kas atrodas darba zonā, jālieto aizsardzības līdzekļi.
- ◆ **Pēc slīpēšanas rūpīgi iztīriet putekļus no darba zonas.**
- ◆ **Ievērojiet īpašu piesardzību, slīpējot krasu, kas var būt gatavota uz svina bāzes, kā arī slīpējot dažus koksnes un metāla veidus, kas var radīt toksiskus putekļus.**
  - ◆ **Neļaujiet darba zonā atrasties bērniem vai grūtniecēm.**
  - ◆ **Darba vietā nedrīkst ne ēst, ne dzert, ne smēķēt.**
  - ◆ **Nekaitīgā veidā atbrīvojieties no putekļu daļiņām un citiem netīrumiem.**
- ◆ **Šajā lietošanas rokasgrāmatā ir aprakstīta paredzētā lietošana.**

Lietojot jebkuru citu piederumu vai pierīci, kas nav ieteikta šajā lietošanas rokasgrāmatā, vai veicot darbu, kas nav paredzēts šim instrumentam, var gūt ievainojumus un/vai radīt materiālos zaudējumus.

### Citu personu drošība

- ◆ Šo instrumentu nav paredzēts ekspluatēt personām (tostarp bērniem), kam ir ierobežotas fiziskās, sensorās vai psihiskās spējas vai trūkst pieredzes un zināšanu, ja vien tās neuzrauga vai neapmāca persona, kas atbild par viņu drošību.
- ◆ Bērni ir jāuzrauga, lai viņi nespēlētos ar instrumentu.

### Atlikušie riski

Lietojot instrumentu, var rasties papildu atlikušie riski, kuri var nebūt minēti šeit iekļautajos drošības brīdinājumos. Šie riski var rasties nepareizas lietošanas, pārāk ilgas lietošanas u. c. gadījumos.

Lai arī tiek ievēroti attiecīgie drošības noteikumi un tiek uzstādītas drošības ierīces, dažus riskus nav iespējams novērst. Tie ir šādi:

- ◆ ievainojumi, kas radušies, pieskaroties rotējošām/kustīgām detaļām;
- ◆ ievainojumi, kas radušies, mainot detaļas, asmeņus vai citus piederumus;

- ◆ ievainojumi, kas radušies instrumenta ilgstošas lietošanas rezultātā. Ilgstoši strādājot ar instrumentu, regulāri jāpārtrauc darbs un jāatpūšas;
- ◆ dzirdes pasliktināšanās;
- ◆ kaitējums veselībai, kas rodas, ieelpojot putekļus, kuri rodas, strādājot ar instrumentu (piemēram, apstrādājot koksni, it īpaši ozolu, dižskābardi un MDF paneļus).

### Vibrācija

Deklarētās vibrāciju emisijas vērtības, kas minētas tehniskajos datos un atbilstības deklarācijā, ir izmērītas saskaņā ar standarta pārbaudes metodi, kas noteikta ar standartu EN62841, un vērtības var izmantot viena instrumenta salīdzināšanai ar citu. Tāpat deklarēto vibrāciju emisijas vērtību var izmantot, lai iepriekš novērtētu iedarbību.

**Brīdinājums!** Vibrāciju emisijas vērtība elektroinstrumenta faktiskās lietošanas laikā var atšķirties no deklarētās vērtības atkarībā no instrumenta izmantošanas apstākļiem. Vibrāciju līmenis var pārsniegt norādīto līmeni.

Novērtējot vibrāciju iedarbību, lai definētu Direktīvā 2002/44/EK minētos drošības pasākumus, lai aizsargātu personas, kuras darba pienākumu veikšanai regulāri lieto elektroinstrumentus, vibrāciju iedarbības novērtējumā jāņem vērā instrumenta lietošanas veids un faktiskie apstākļi, tostarp visas darba cikla fāzes, t. i., ne tikai instrumenta ekspluatācijas laiks, bet arī laiks, kad instruments ir izslēgts un darbojas tukšgaitā.

### Marķējumi uz instrumenta

Uz instrumenta ir attēloti šādi apzīmējumi kopā ar datuma kodu:



**Brīdinājums!** Lai mazinātu ievainojuma risku, jāizlasa lietošanas rokasgrāmata.

### Elektrodrošība



Šim instrumentam ir dubulta izolācija, tāpēc nav jālieto iezemēts vads. Pārbaudiet, vai barošanas avota spriegums atbilst kategorijas plāksnītē norādītajam spriegumam.

- ◆ Ja barošanas vads ir bojāts, to drīkst nomainīt tikai ražotājs vai BLACK+DECKER pilnvarots apkopes centrs, lai novērstu bīstamību.

### Funkcijas

Šim instrumentam ir šādas funkcijas (visas vai tikai dažas no tām):

1. Ieslēgšanas/izslēgšanas slēdzis
2. Putekļu izvadatveres savienotājs
3. Pamatne
4. Uzgaļa turētājs
5. Slīpēšanas pamatnes uzgalis
6. Pirkstveida uzgalis\*
7. Skrūve



**8. Rombveida uzgalis**

Šī instrumenta komplektācijā ir šādi piederumi (visi vai tikai daži no tiem).

Piederums	Paredzētais mērķis un ieteicamā lietošana
Raupjš smilšpapīrs	Ātra krāsas, lakas un rūsas noņemšana
Vidēji raupjš smilšpapīrs	Krāsas, lakas un rūsas noņemšana
Smalks smilšpapīrs	Virsmas izlīdzināšana un apdare
Ļoti smalks smilšpapīrs	Slīpēšana starp slāņiem
Deltveida slīpēšanas uzgaļi	Stūriem un vietām, kur grūti piekļūt
1 OT pulēšanas/ noņemšanas tērauda vilna	Metāla pulēšana, lakas noņemšana un stikla tīrīšana
Pelēks sūkļveida paliktņis	Pulējuma uzklāšana un noņemšana
Sarkans neausta materiāla paliktņis	Intensīva skrubēšana un rūsas noņemšana
Pelēks smilšpapīrs	Plastmasas pulēšana

**\*Nemiet vērā!** Pirkstveida uzgalis (6) var nebūt iekļauts visu instrumentu komplektācijā. Visus piederumus varat iegādāties no vietējā BLACK+DECKER izplatītāja vai mūsu tīmekļa vietnē [www.blackanddecker.co.uk](http://www.blackanddecker.co.uk).

**Salikšana**

**Bridinājums!** Pirms salikšanas pārbaudiet, vai instruments ir izslēgts un atvienots no barošanas.

**Smilšpapīra lokšņu piestiprināšana (A., B. att.)**

- ◆ Atvienojiet abus rombeida uzgaļus (8) no smilšpapīra (9).
- ◆ Turiet instrumentu tā, lai slīpēšanas pamatne būtu vērsta augšup.
- ◆ Novietojiet smilšpapīru (9) uz slīpēšanas pamatnes tā, lai papīra atveres būtu savietotas ar pamatnes atverēm.

Ja rombeida uzgalis (8) nodilst, to var apgriezt otrādi un lietot vēlreiz.

- ◆ Ja ir nodilis uzgaļa priekšgals, atvienojiet uzgali no smilšpapīra, apgriezt to otrādi un no jauna uzspiediet virsū uz slīpēšanas pamatnes.
- ◆ Ja viss uzgalis ir pilnībā nodilis, noņemiet to no slīpēšanas pamatnes un tās vietā uzstādiat jaunu uzgali.
- ◆ Pulēšanas sūkļveida paliktņus (14) var uzstādīt tāpat kā smilšpapīru.

**Slīpēšanas pamatnes uzgalis (D. att.)**

Ja slīpēšanas pamatnes uzgalis (5) vai uzgaļa turētājs (4) ir nodilis, to var apgriezt otrādi vai nomainīt pret jaunu. Rezerves daļas varat iegādāties no vietējā BLACK+DECKER izplatītāja.

- ◆ Izskrūvējiet skrūvi (7).
- ◆ Apgriežiet otrādi noduļo šo detaļu vai nomainiet pret jaunu.
- ◆ Ievietojiet atpakal un pievelciet skrūvi.

**Pirkstveida uzgalis (D. att.)**

Pirkstveida uzgali lieto nelielu virsmu slīpēšanai.

- ◆ Izskrūvējiet skrūvi (7).
- ◆ Noņemiet rombeida uzgaļa turētāju (4) no slīpēšanas pamatnes.
- ◆ Uzstādiat pirkstveida uzgali (6) uz slīpēšanas pamatnes.
- ◆ Ievietojiet atpakal un pievelciet skrūvi.
- ◆ Novietojiet piemērotu smilšpapīru (11) uz pirkstveida uzgaļa.

**Lietošana**

**Bridinājums!** Ļaujiet instrumentam darboties savā gaitā. Nepārslogojiet to.

**Bridinājums!** Strādājot ar instrumentu, nenosprostoiet ventilācijas atveres. Turiet instrumentu, kā norādīts H. attēlā. Slīpēšanas pamatnei jābūt piespiestai līdzīn pret apstrādājamo materiālu.

**Putekļsūcēja pievienošana (F. att.)**

Slīpējot koksnī, instrumentu var piestiprināt putekļsūcējam ar adaptera palīdzību. Lai instrumentu piestiprinātu putekļsūcējam, rīkojieties šādi.

**Bridinājums!** Pārbaudiet, vai instruments ir izslēgts un atvienots no barošanas.

- ◆ Uzstādiat putekļu izvadarveres savienotāju (2) uz adaptera, kas atrodas instrumenta aizmugurē.
- ◆ Pievienojiet piemērota putekļsūcēja šļūteni pie savienotāja.

**Ieslēgšana un izslēgšana (G. att.)**

**Bridinājums!** Pirms instrumenta pievienošanas barošanas avotam pārbaudiet, vai tas ir izslēgts.

- ◆ Lai ieslēgtu instrumentu, nospiediet to ieslēgšanas/izslēgšanas slēdža (1) pusi, kas apzīmēta ar "I".
- ◆ Lai izslēgtu instrumentu, nospiediet to ieslēgšanas/izslēgšanas slēdža (1) pusi, kas apzīmēta ar "0".

**Piederumi**

Instrumenta darba kvalitāte ir atkarīga no tā, kādu piederumu izmanto. BLACK+DECKER piederumi ir izstrādāti pēc augstākās kvalitātes standartiem un paredzēti tam, lai uzlabotu instrumenta darba kvalitāti. Izmantojot šos piederumus, var panākt instrumenta vislabāko darba efektivitāti.

**Apkope**

Šis BLACK+DECKER instruments ir paredzēts ilglaicīgam darbam ar mazāko iespējamo apkopi. Nepārtraukti nevainojama darbība ir atkarīga no pareizas instrumenta apkopes un regulāras tīrīšanas.

Šim lādētājam nav jāveic apkope, izņemot regulāru tīrīšanu.

**Bridinājums!** Pirms instrumenta apkopes veikšanas atvienojiet lādētāju.

- ◆ Ar mīkstu birstīti vai sausu lupatiņu regulāri iztīriet instrumenta ventilācijas atveres.
- ◆ Ar mitru lupatiņu regulāri iztīriet motora korpusu. Nelietojiet abrazīvus tīrīšanas līdzekļus vai šķīdinātājus.

## Barošanas vada kontaktdakšas nomaīņa (tikai Apvienotajai Karalistei un Īrijai)

Ja ir jāuzstāda jauna barošanas vada kontaktdakša:

- ◆ nekaitīgā veidā atbrīvojieties no nederīgās kontaktdakšas;
- ◆ pievienojiet brūno vadu pie kontaktdakšas fāzes spaiļes;
- ◆ pievienojiet zilo vadu pie neitrālās spaiļes.

**Bridinājums!** Vadus nedrīkst pievienot pie zemējuma spaiļes. Ievērojiet uzstādīšanas norādījumus, kas ietilpst labas kvalitātes kontaktdakšu komplektācijā. Ieteicamais drošinātājs: 5 A.

## Vides aizsardzība



Dalīta atkritumu savākšana. Izstrādājumus un akumulatorus ar šo apzīmējumu nedrīkst izmest kopā ar parastiem sadzīves atkritumiem.

Izstrādājumu un akumulatoru sastāvā ir materiāli, ko var atgūt vai otrreizēji pārstrādāt, samazinot pieprasījumu pēc izejvielām. Nododiet otrreizējai pārstrādei elektriskos izstrādājumus un akumulatorus saskaņā ar vietējiem noteikumiem. Sīkāka informācija ir pieejama vietnē [www.2helpU.com](http://www.2helpU.com).

## Tehniskie dati

BEW230		
Ieejas spriegums	$V_{AC}$	230
Ieejas jauda	W	55
Tukšgaitas ātrums	apgr./min	11 000
Svars	kg	0,8

### Skaņas spiediena līmenis saskaņā ar EN 62841

skaņas spiediens ( $L_{pA}$ ) 65 dB(A), neprecizitāte (K) 3 dB(A)  
skaņas jauda ( $L_{WA}$ ) 76 dB(A), neprecizitāte (K) 3 dB(A)

### Vibrāciju kopējā vērtība (trīs asu vektoru summa) saskaņā ar EN 62841

( $a_{h1}$ ) 12,5 m/s<sup>2</sup>, neprecizitāte (K) 1,5 m/s<sup>2</sup>

## EK atbilstības deklarācija

MAŠĪNU DIREKTĪVA



Slīpmašīna BEW230

Black & Decker apliecina, ka šie izstrādājumi, kas aprakstīti tehniskajos datos, atbilst šādiem dokumentiem:

2006/42/EK, EN62841-1:2015, EN62841-2-4:2014.

Šie izstrādājumi atbilst arī Direktīvai 2014/30/ES un 2011/65/ES. Lai iegūtu sīkāku informāciju, lūdzu, sazinieties ar Black & Decker turpmāk minētajā adresē vai skatiet rokasgrāmatas pēdējo vāku.

Persona, kas šeit parakstījusies, atbild par tehnisko datu sagatavošanu un Black & Decker vārdā izstrādā šo apliecinājumu.

*Patrick Diepenbach*

Patrick Diepenbach  
General Manager, Benelux  
Black and Decker, 2800 Mechelen,  
Belgium  
Stanley Fat Max Europe, Egide Walschaertsstraat14-18,  
2800 Mechelen, Belgium  
24.08.2018.

## Garantija

Black & Decker rūpējas par savu izstrādājumu kvalitāti un sniedz patērētājiem 24 mēnešu garantiju no iegādes brīža. Šī garantija papildina jūsu līgumiskās tiesības un nekādā gadījumā tās nekavē. Šī garantija ir spēkā Eiropas Savienības dalībvalstīs un Eiropas brīvās tirdzniecības zonā.

Lai iesniegtu garantijas prasību, tai ir jābūt saskaņā ar Black & Decker noteikumiem un nosacījumiem, un jums jāuzrāda pārdevējam vai pilnvarotam remontdarbniecas speciālistam pirkuma čeks.

Black & Decker 2 gadu garantijas noteikumus un nosacījumus un tuvākās pilnvarotās remontdarbniecas adresi skatiet vietnē [www.2helpU.com](http://www.2helpU.com) vai uzziniet vietējā Black & Decker birojā, kura adrese norādīta šajā rokasgrāmatā.

Lūdzu, apmeklējiet mūsu tīmekļa vietni [www.blackanddecker.co.uk](http://www.blackanddecker.co.uk), lai reģistrētu savu Black & Decker izstrādājumu un uzzinātu par jaunākajiem izstrādājumiem un īpašajiem piedāvājumiem.

<b>Poland</b> www.blackanddecker.pl serwis@erpatech.pl	ERPATECH Bakaliowa 26 05-080 Mościska	Tel.	(22) 431 05 05
<b>Czech Republic</b> www.blackanddecker.cz bandservis@bandservis.cz	BAND SERVIS CZ s.r.o. K Pasekam 4440 ZLIN 760 01	Fax. Tel.	+48 (22) 468 8735 577008550
<b>HUNGARY</b> www.blackanddecker.hu service@rotelkft.hu	ROTEL Kft. Központi Márkaszerviz Thököly út 17-19 BUDAPEST 1163	Tel. Fax	577008550 403-2260, 403-6533
<b>HUNGARY</b> www.blackanddecker.hu szerviz@inox.hu	Inox Szolnoki út 27-29. Kecskemét 6000	Tel.	+36 30 370 7032
<b>Serbia</b> www.blackanddecker.rs office@hammercom.co.rs	HAMMERCOM d.o.o. Valjevska 3 BEOGRAD 11000	Tel. Fax	+381 (0)11 2543 683 +381 (0)11 2543 683
<b>Bulgaria</b> www.blackanddecker.bg info@tashev-galving.com	TASHEV-GALVING LTD 68 KLIMENT OHRIDSKI BLVD. SOFIA 1756	Tel.	00359 2 700 45 45 4

<b>België/Belgique/Luxembourg</b> www.blackanddecker.be enduser.be@sbdinc.com	Stanley Black & Decker Belgium BVBA Egide Walschaertsstraat 16 2800 Mechelen	Tel. NL +32 15 47 37 65 Tel. FR +32 15 47 37 66 Fax. +32 15 47 37 99
<b>Danmark</b>	Black & Decker Roskildevej 22 2620 Albertslund	kundeservice.dk@sbdinc.com www.blackanddecker.dk
<b>Deutschland</b> www.blackanddecker.de infobfge@sdbinc.com	Stanley Black & Decker Deutschland GmbH Black & Decker Str. 40, D - 65510 Idstein	Tel. 06126 21-0 Fax 06126 21-2980
<b>Ελλάδα</b> www.blackanddecker.gr greece.service@sbdinc.com	Stanley Black & Decker (ΕΛΛΑΣ) Ε.Π.Ε ΓΡΑΦΕΙΑ: Σπύρου 7 & Βουλιαγμένης 166 74 Γλυφάδα - Αθήνα	Τηλ. 210-8981616 Φαξ 210-8983570
<b>SERVICE:</b>	Ημερος Τόπος 2 -Χάνι Αδάν 193 00 Ασπρόπυργος - Αθήνα	Τηλ. Service 210-8985208 Φαξ 210-5597598
<b>España</b> www.blackanddecker.es respuesta.posventa@sbdinc.com	Stanley Black & Decker Ibérica, S.C.A. Parc de Negocis "Mas Blau" Edificio Muntadas, c/Bergadá, 1, Of. A6 08820 El Prat de Llobregat (Barcelona)	Tel. 934 797 400 Fax 934 797 419
<b>France</b> www.blackanddecker.fr	Black & Decker 62 chemin de la Bruyère 69570 Dardilly, France	Tel. 04 72 20 39 20 Fax 04 72 20 39 00
<b>Helvetia</b> www.blackanddecker.ch service@rofoag.ch	ROFO AG Gewerbezone Seeblick 3213 Kleinbödingen	Tel. 026-6749393 Fax 026-6749394
<b>Italia</b> www.blackanddecker.it service.italia@sbdinc.com	Stanley Black & Decker Italia Via Energypark 6 20871 Vimercate (MB)	Tel. 039-9590200 Fax 039-9590313 Numero verde 800-213935
<b>Nederland</b> www.blackanddecker.nl enduser.nl@sbdinc.com	Stanley Black & Decker Netherlands BV Holtum Noordweg 35, 6121 RE BORN Postbus 83, 6120 AB BORN	Tel. +31 164 283 065 Fax +31 164 283 200
<b>Norge</b>	Black & Decker Postboks 4613, Nydalen 0405 Oslo	kundeservice.no@sbdinc.com www.blackanddecker.no
<b>Österreich</b> www.blackanddecker.at service.austria@sbdinc.com	Stanley Black & Decker Austria GmbH Oberlaaerstraße 248, A-1230 Wien	Tel. 01 66116-0 Fax 01 66116-614
<b>Portugal</b> www.blackanddecker.pt resposta.posvenda@sbdinc.com	Black & Decker Limited SARL Quinta da Fonte - Edifício Q55 D. Diniz Rua dos Malhões, 2 e 2A - Piso 2 Esquerdo 2770 - 071 Paço de Arcos	Tel. 214667500 Fax 214667580
<b>Suomi</b>	Black & Decker PL47 00521, Helsinki	asiakaspalvelu.fi@sbdinc.com www.blackanddecker.fi
<b>Sverige</b>	Black & Decker AB Box 94, 431 22 Mölndal	kundservice.se@sbdinc.com www.blackanddecker.se
<b>Türkiye</b> www.blackanddecker.com.tr	KALE Hirdavat ve Makina A.Ş. Defterdar Mah. Savaklar Cad. No:15 Edirnekapı / Eyüp / İstanbul 34050	Tel. 0212 533 52 55 Fax. 0212 533 10 05
<b>United Kingdom &amp; Republic Of Ireland</b> www.blackanddecker.co.uk emeaservice@sbdinc.com	Black & Decker 270 Bath Road Slough, Berkshire SL1 4DX	Tel. 01753 511234 Fax 01753 512365
<b>Middle East &amp; Africa</b> www.blackanddecker.ae service.mea@sbdinc.com	Black & Decker P.O.Box - 17164 Jebel Ali Free Zone (South), Dubai, UAE	Tel. +971 4 8863030 Fax +971 4 8863333