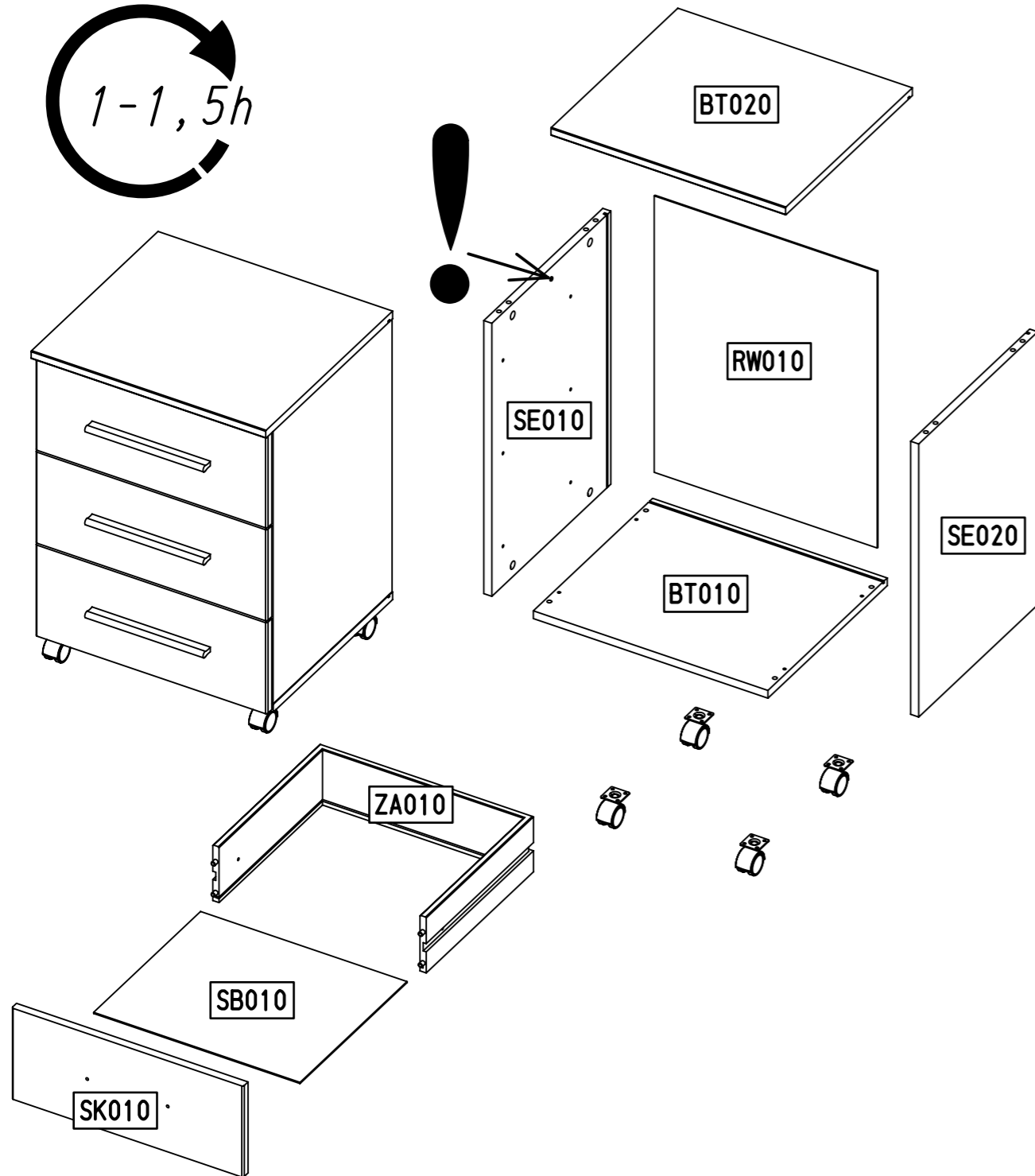
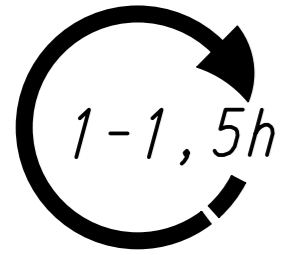
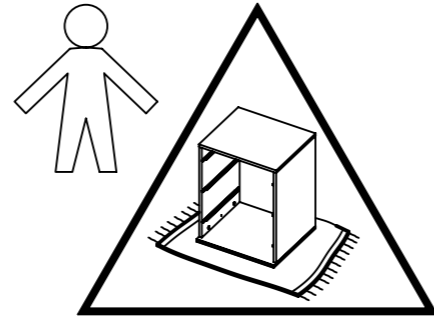
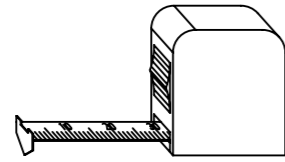
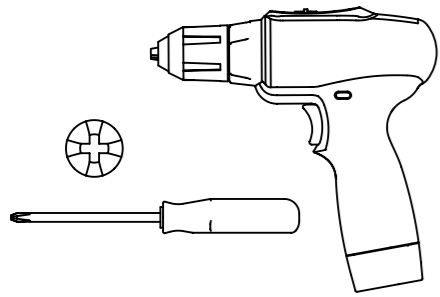


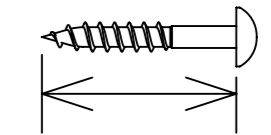
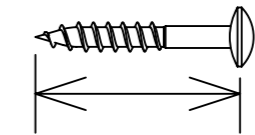
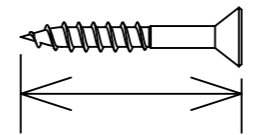
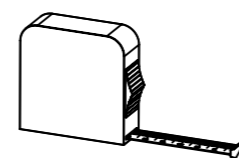
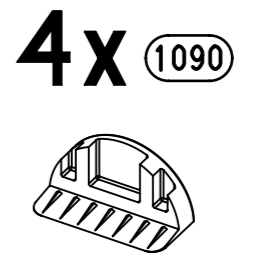
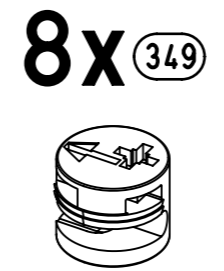
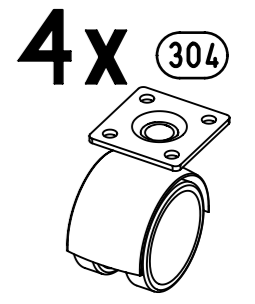
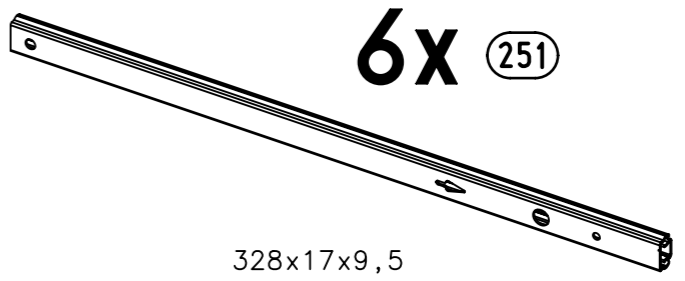
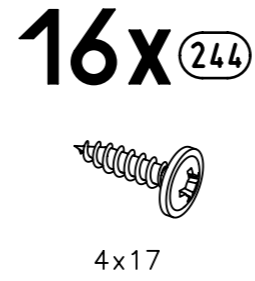
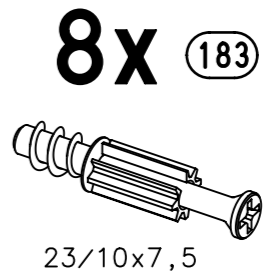
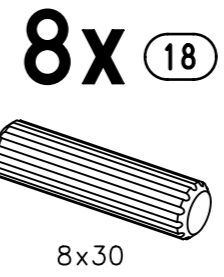
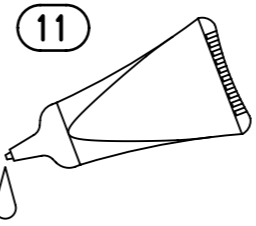
1.

M2090_02

rauch

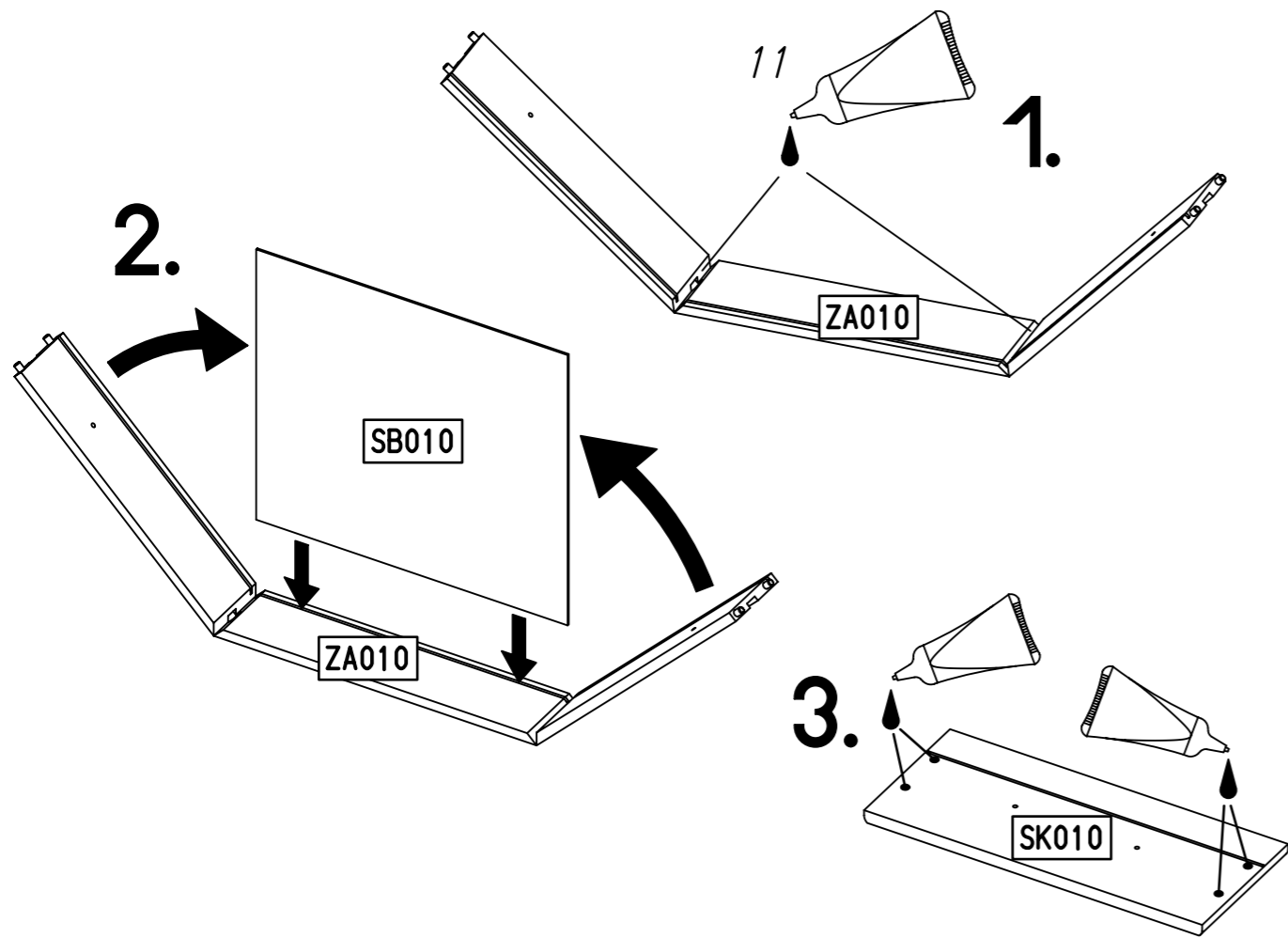
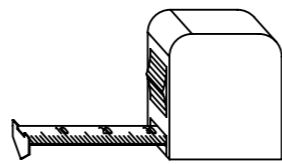
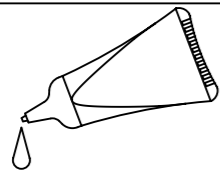


2.

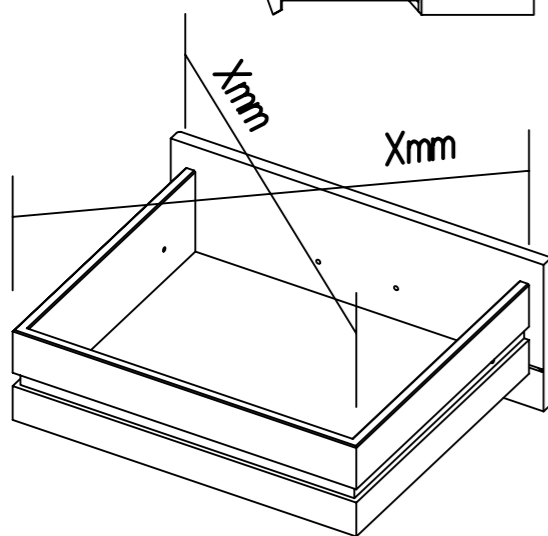
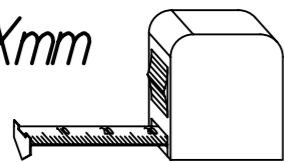


1

11

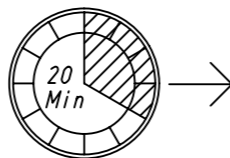
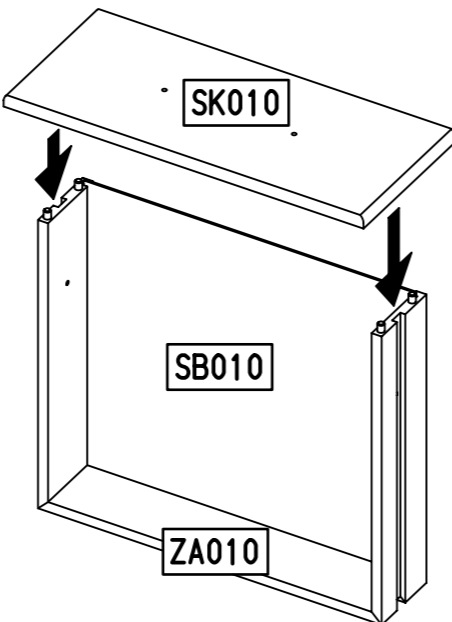


Xmm = Xmm



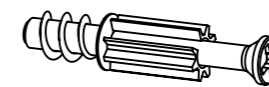
3.

4.

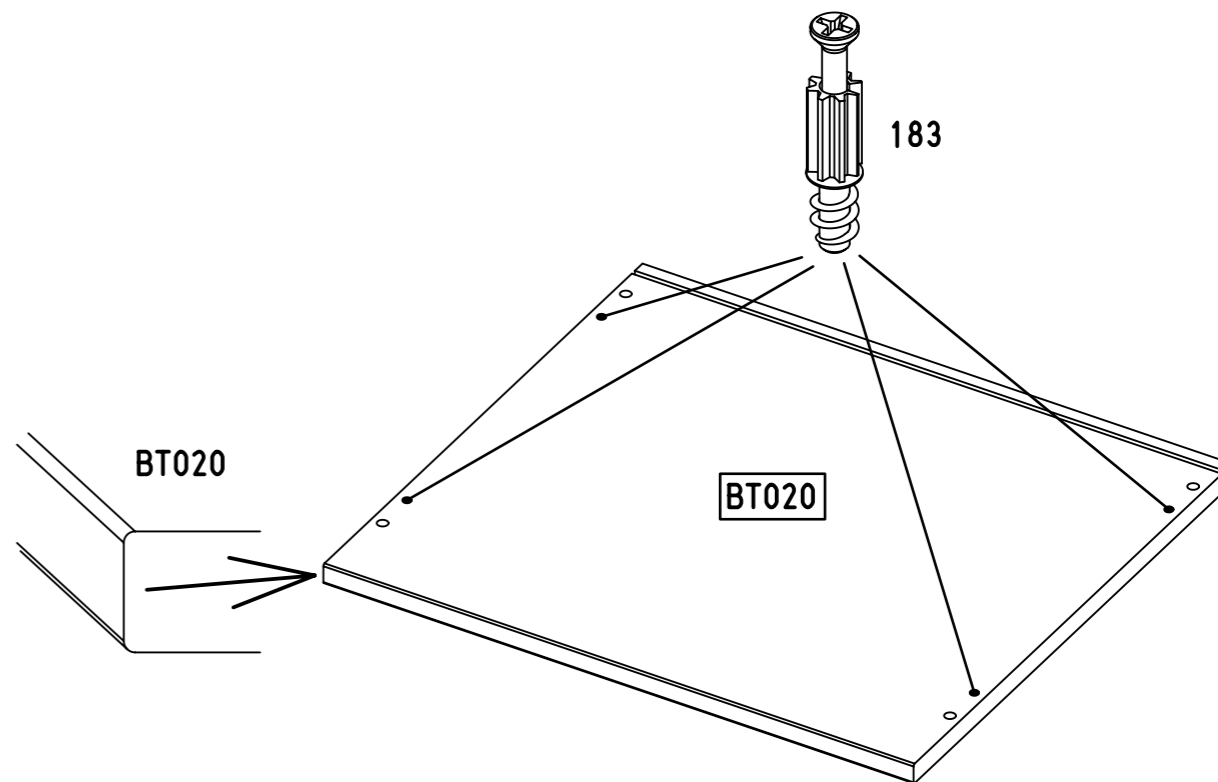
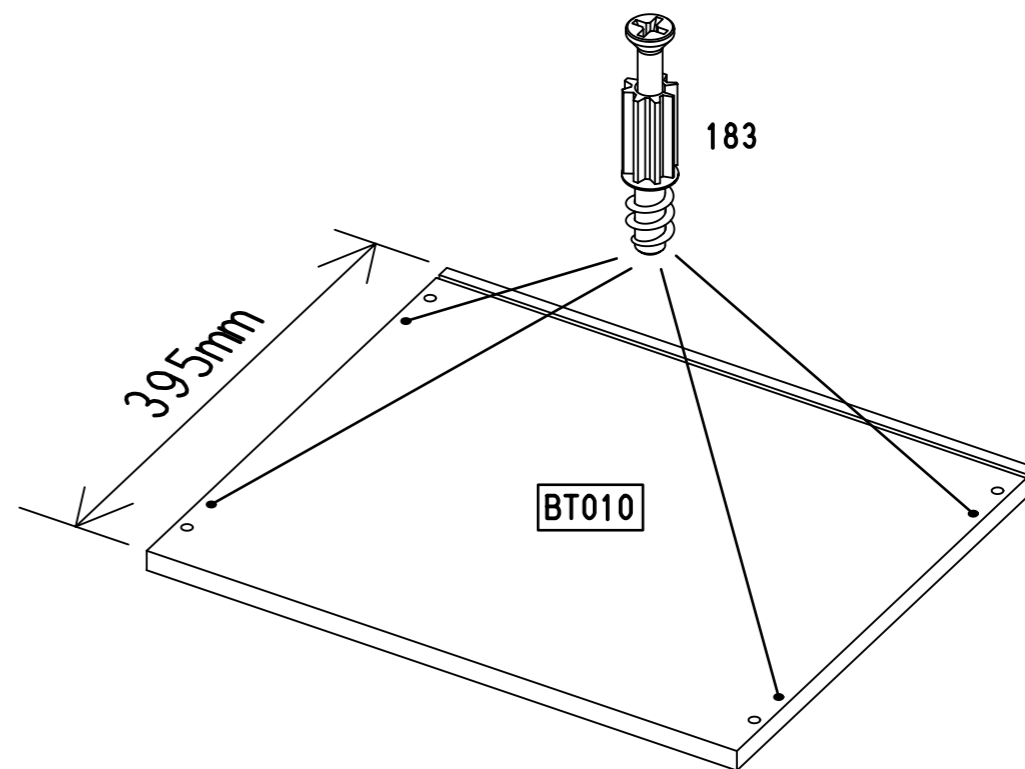
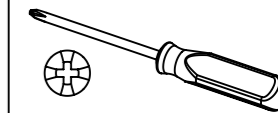


2

8x 183



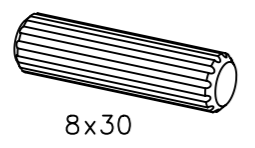
23/10x7,5/6,5



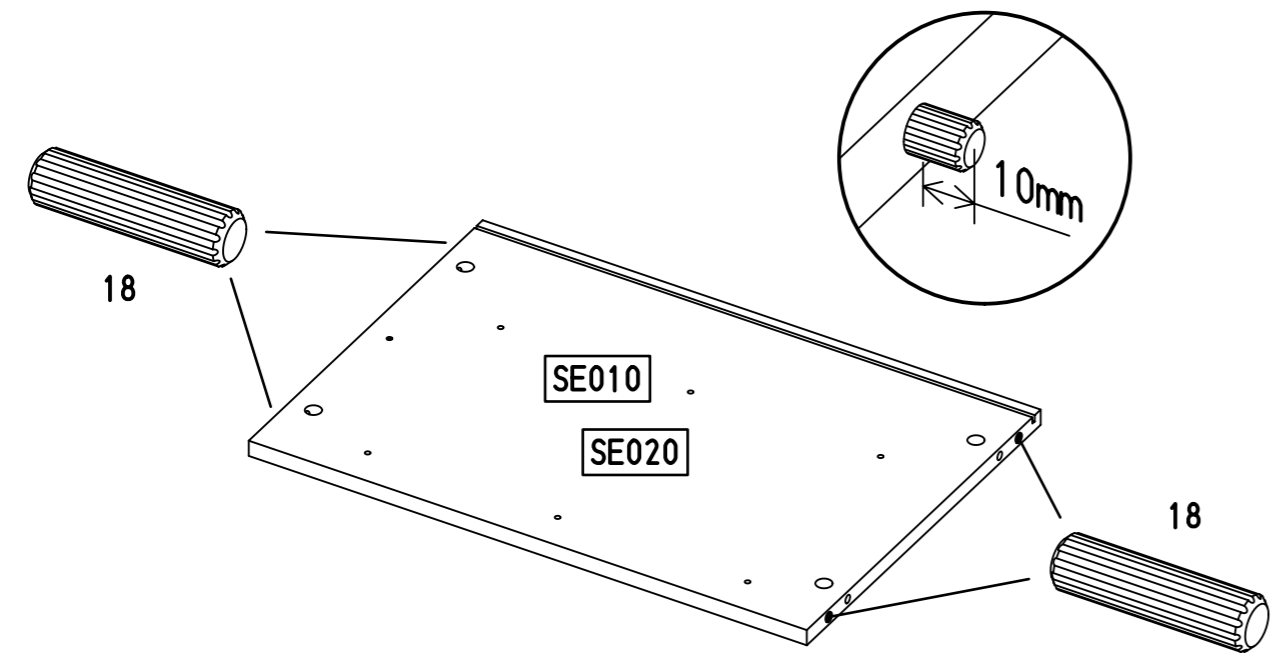
5.

3

8x 18

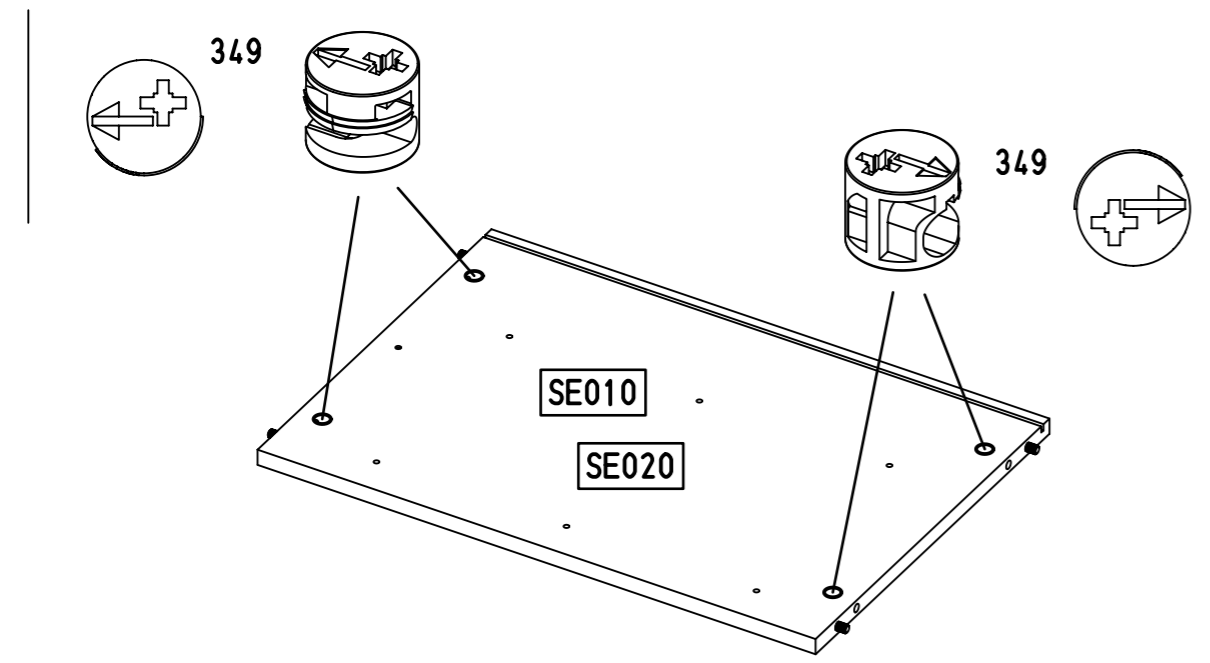
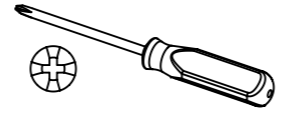


8x30



4

8x 349

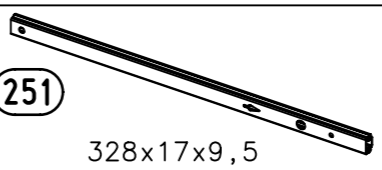


M2090

6.

5

4x 251

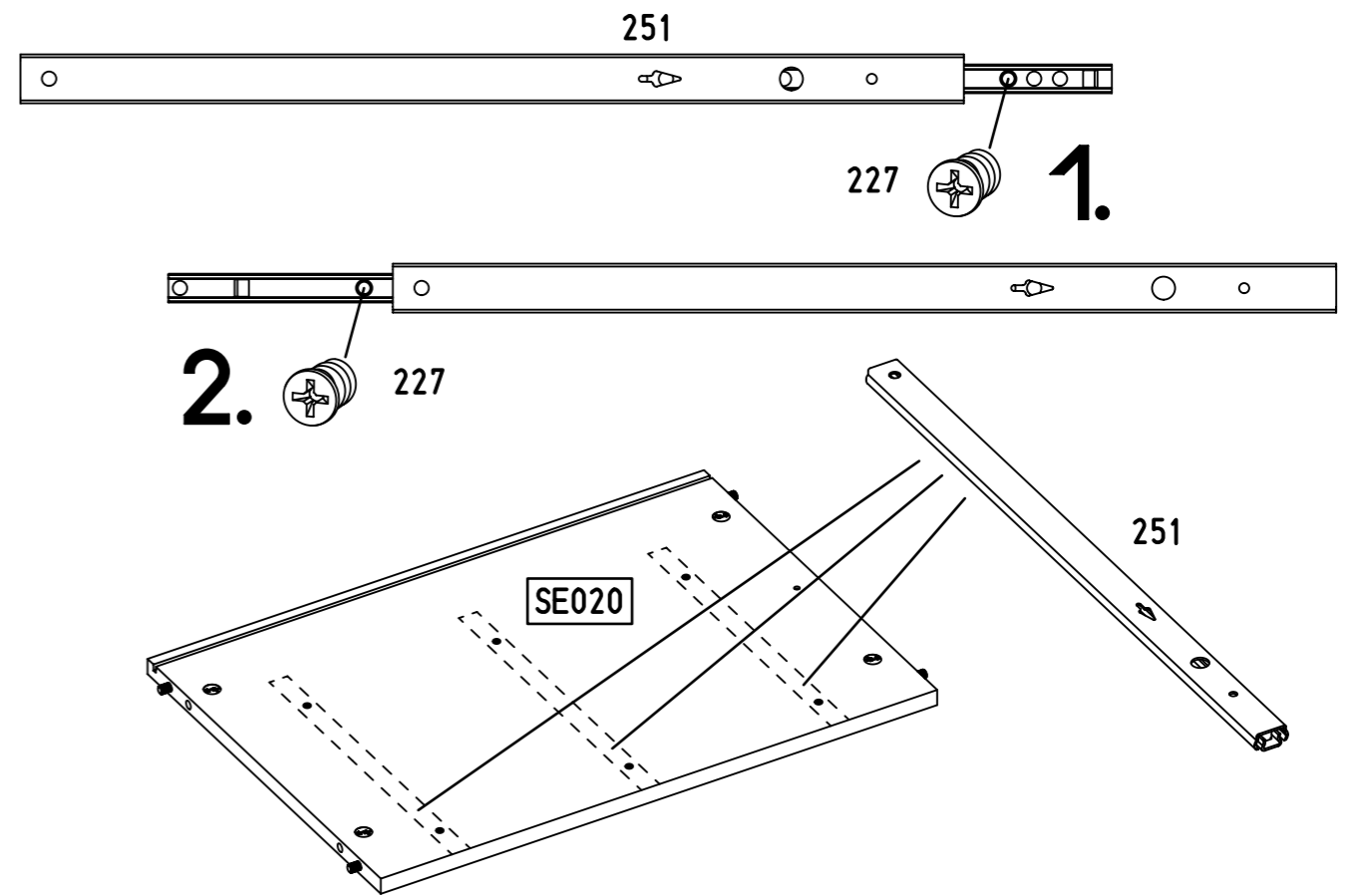
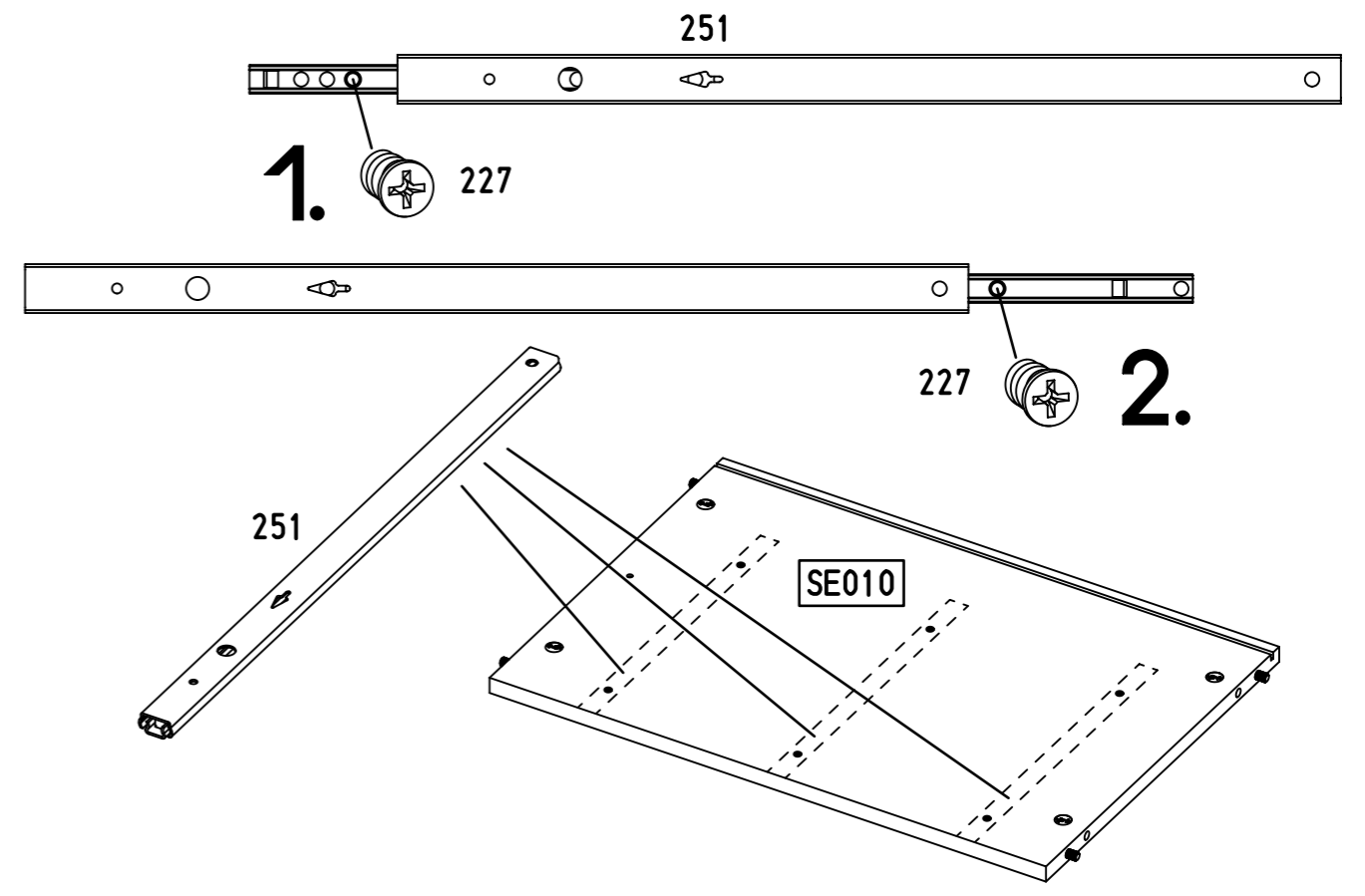
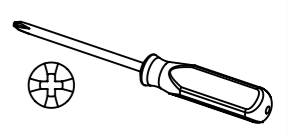


328x17x9,5

8x 227

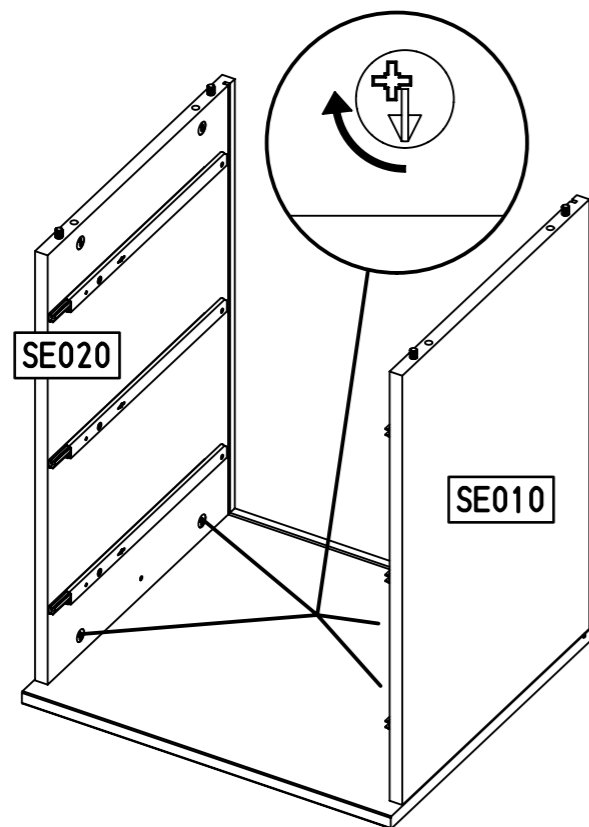
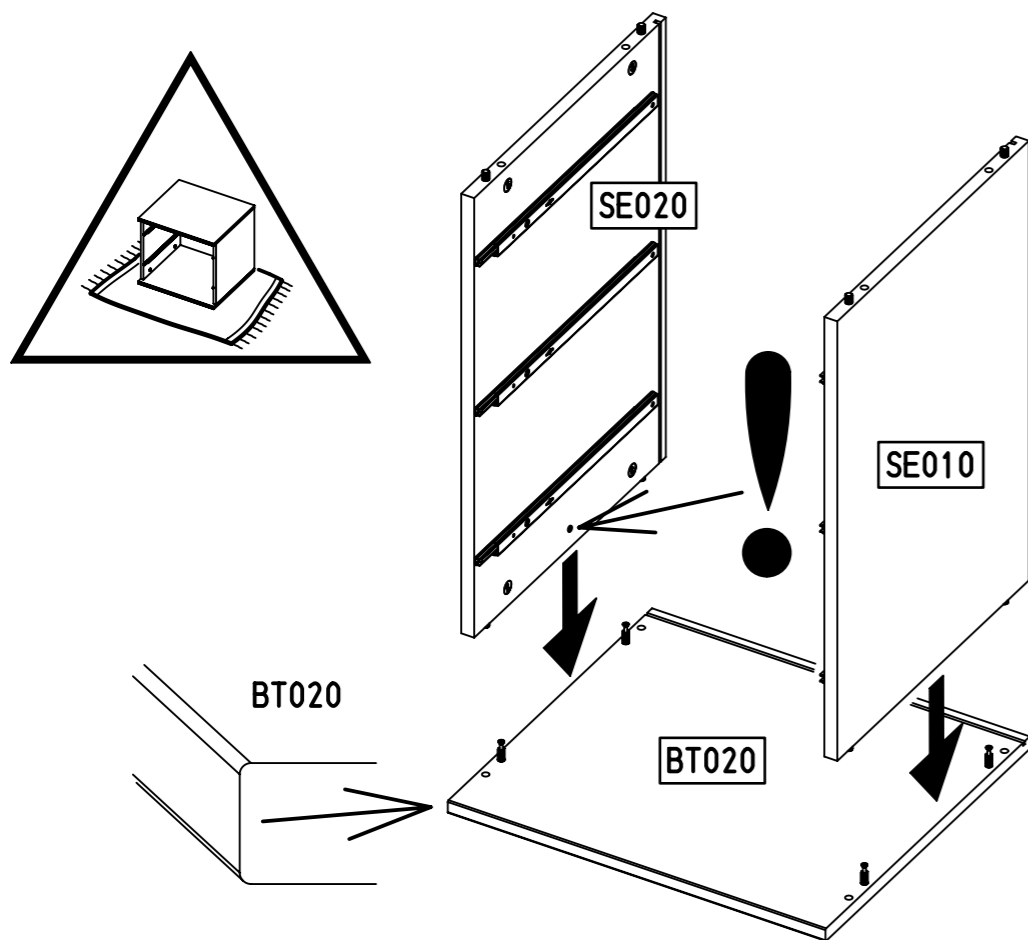
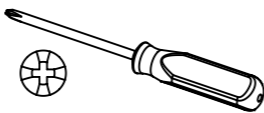


6x10,5

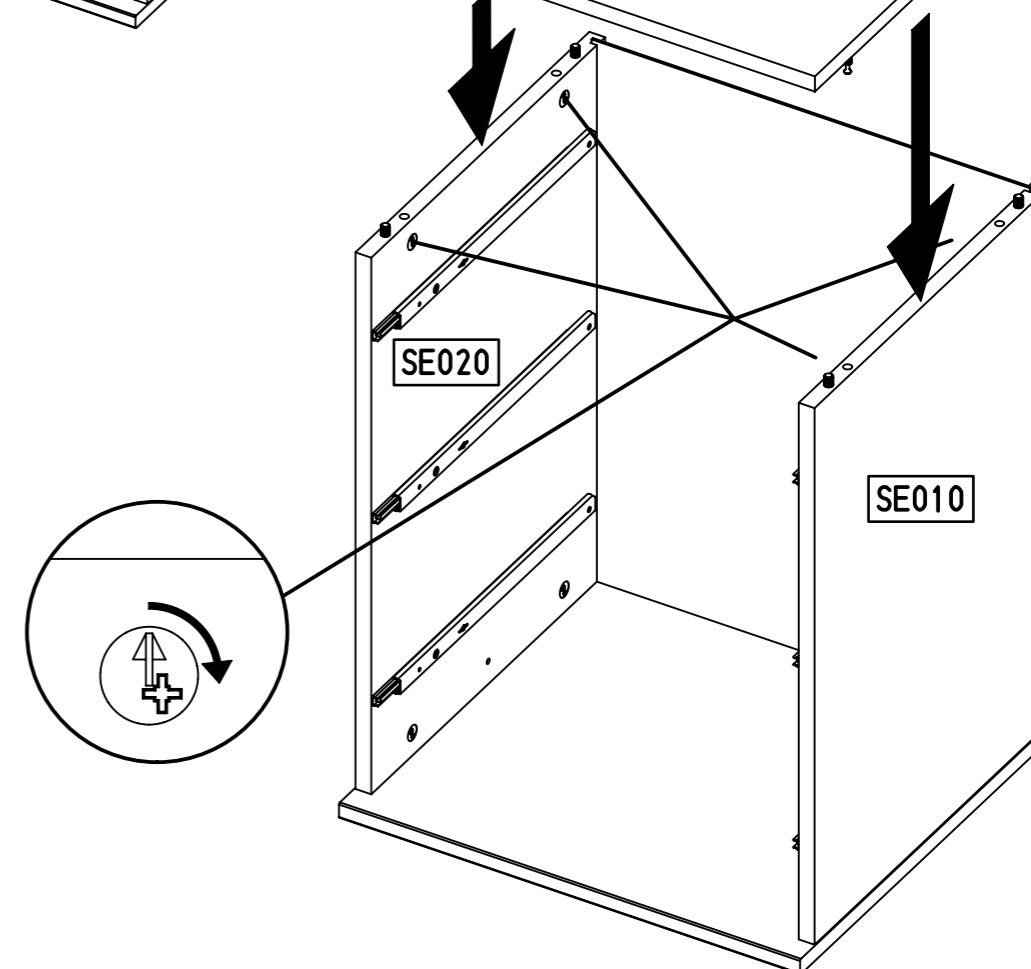
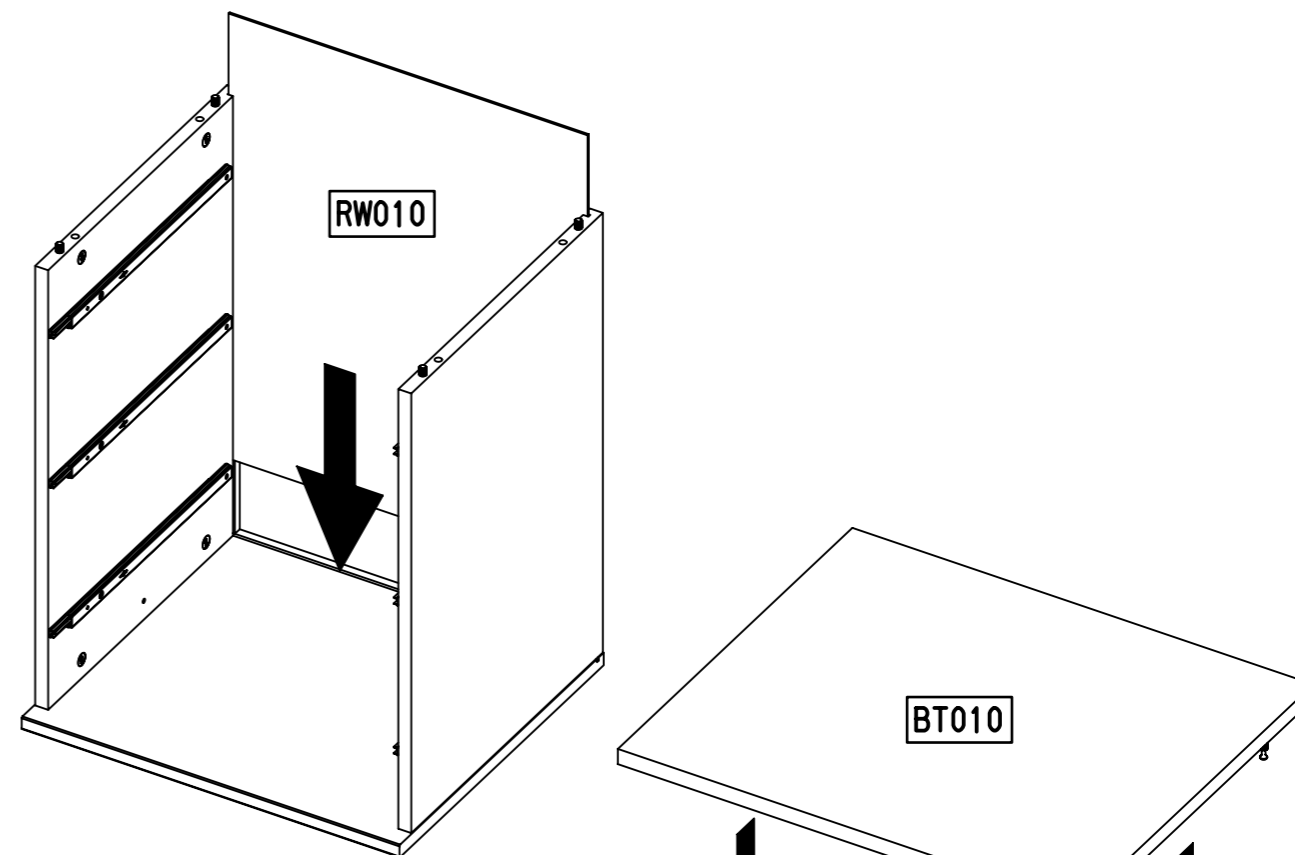
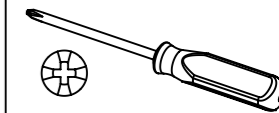


M2090

6

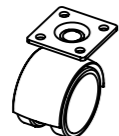


7

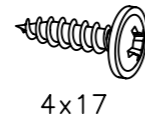


8

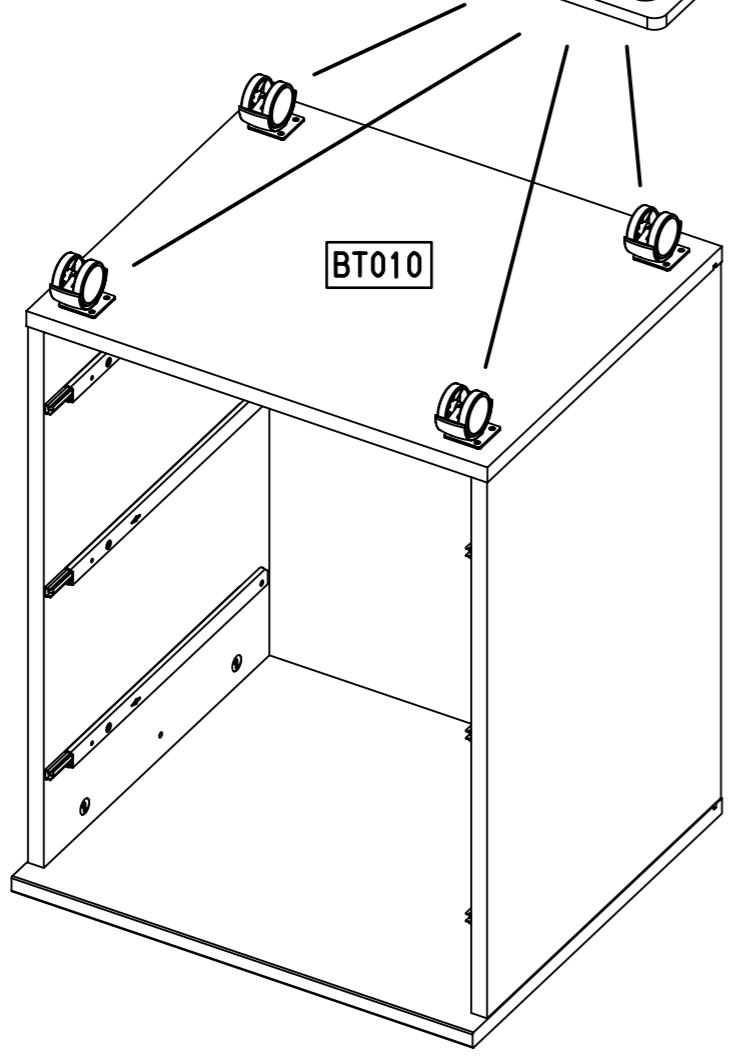
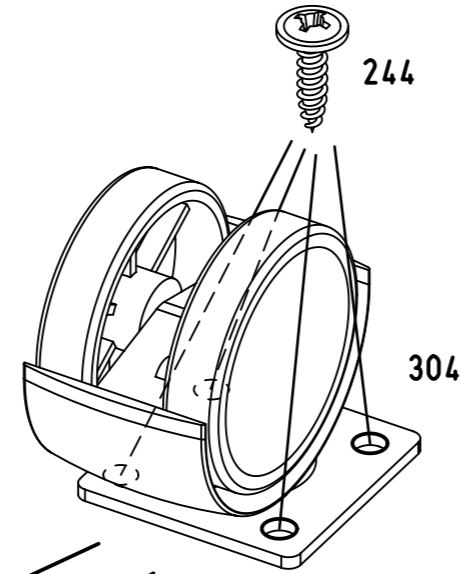
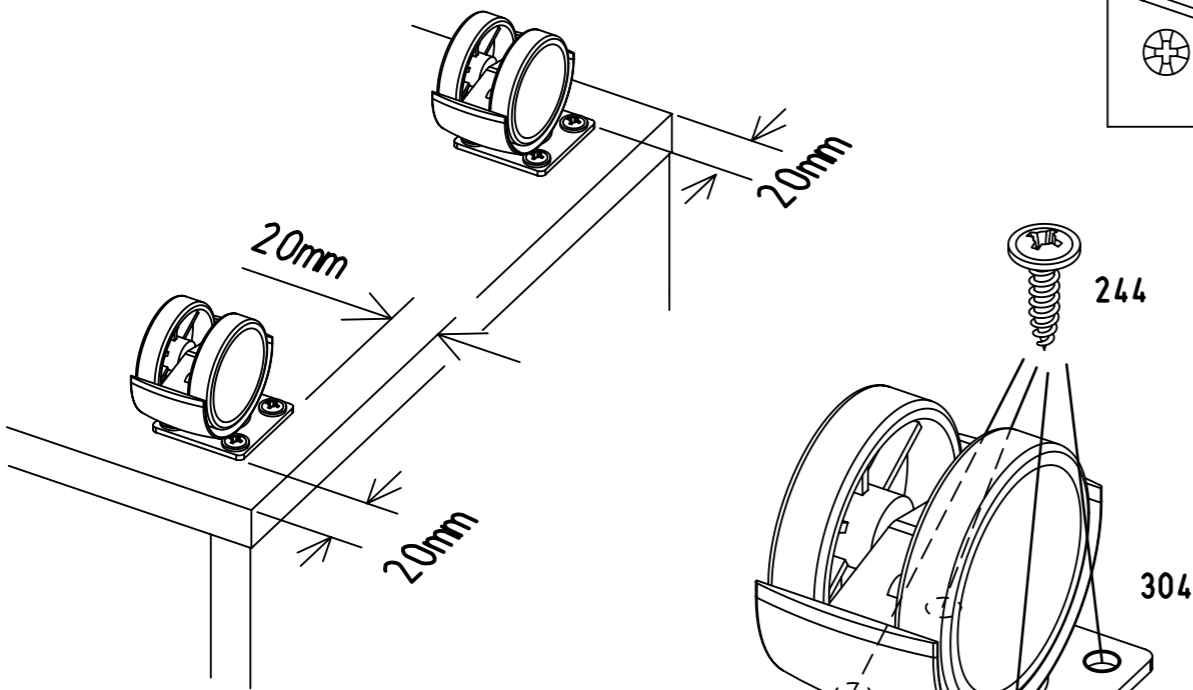
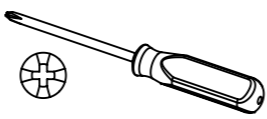
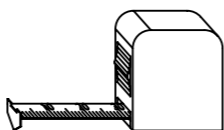
4x 304



16x 244

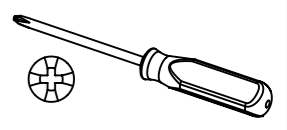
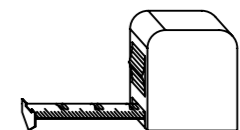
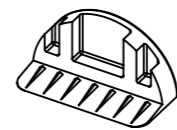


4x17

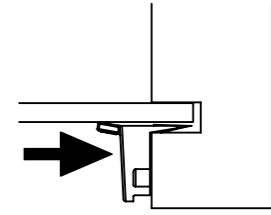
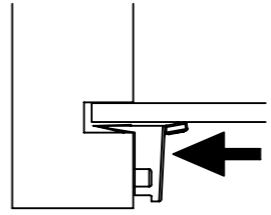
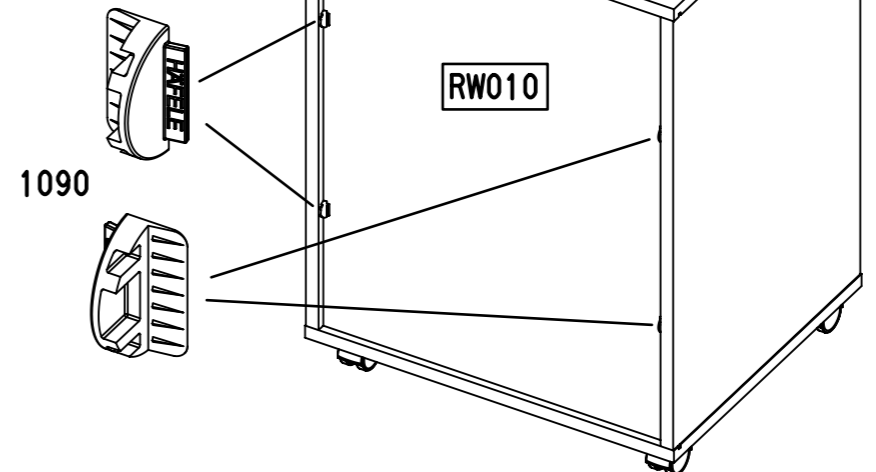
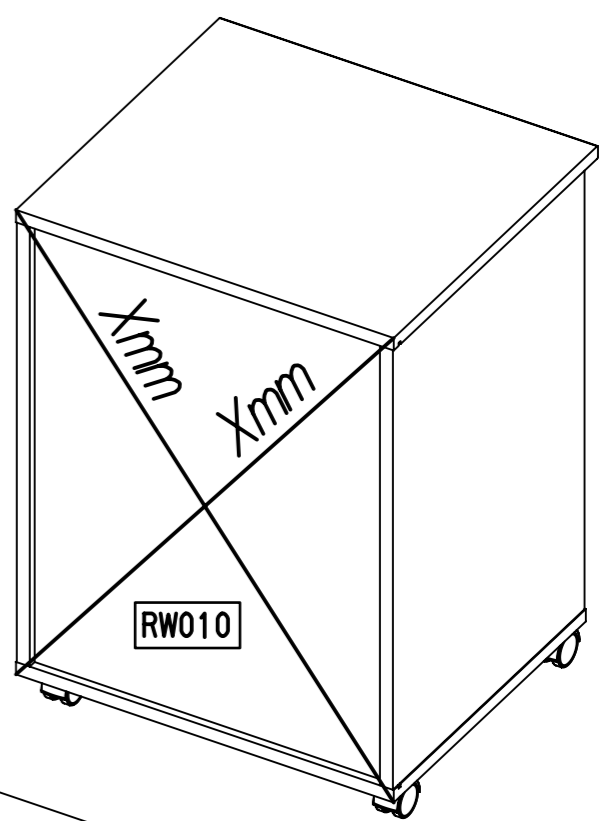
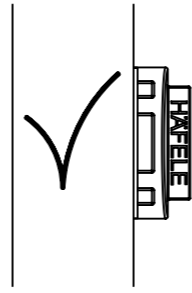
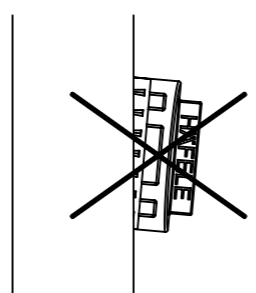
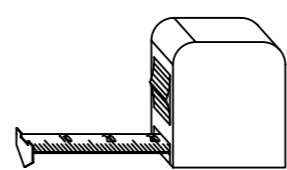


9

4x 1090



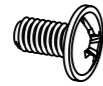
Xmm = Xmm



10

6x

568



M4x9

