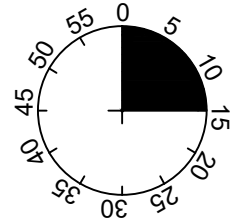
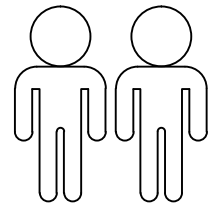
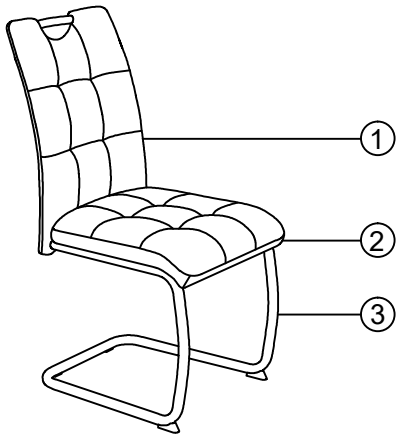


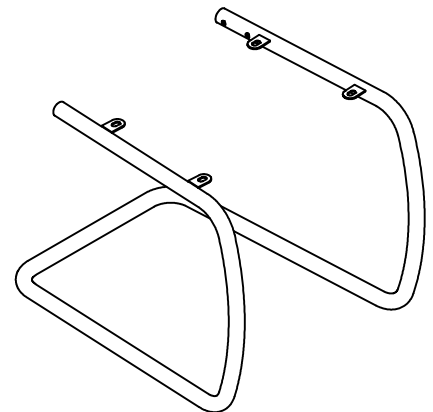
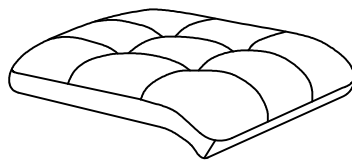
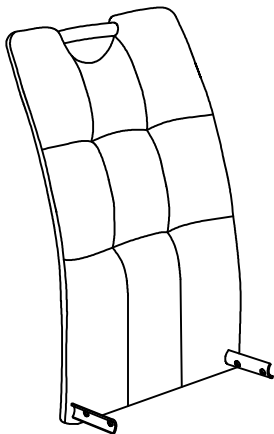
Leona



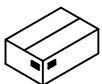
1

2

3



1	1 x
2	1 x
3	1 x

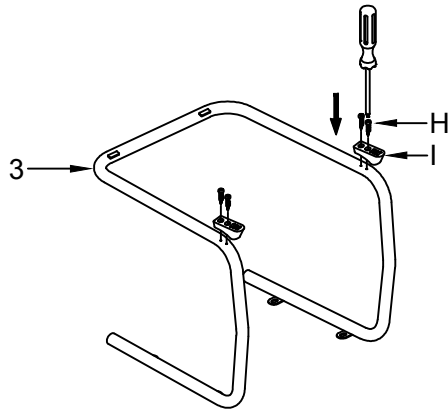


1/1

A	M6X20 4x	B	M8x20 4x	C	Ø18xØ8x1.5 4x	D	Ø18xØ6x1.5 4x	E	M8 4x	F	4MM 1x
G	6MM 1x	H	M4x20 4x	I	2x						

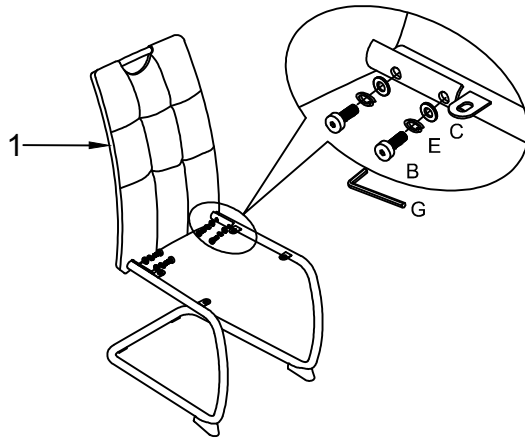
I.

1



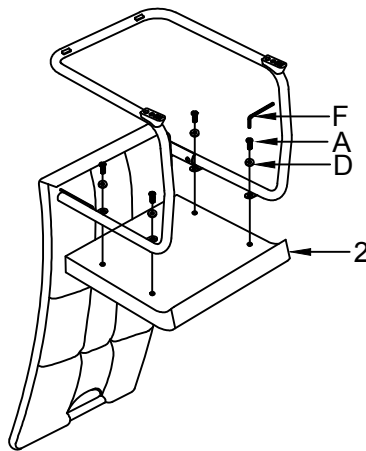
H	M4x20
	4x
I	
	2x
	100%

2



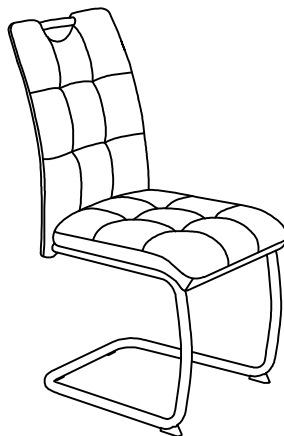
B	M8x20
	4x
C	Ø18xØ8x1.5
	4x
E	M8
	4x
G	6MM
	1x
	75%

3



A	M6x20
	4x
D	Ø18xØ6x1.5
	4x
F	4MM
	1x
	75%

4



F	4MM
	1x
G	6MM
	1x
	100%



LE TRI
+ FACILE



Séparez les éléments avant de trier