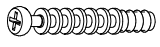

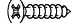
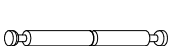



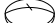


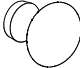
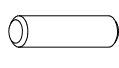
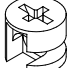

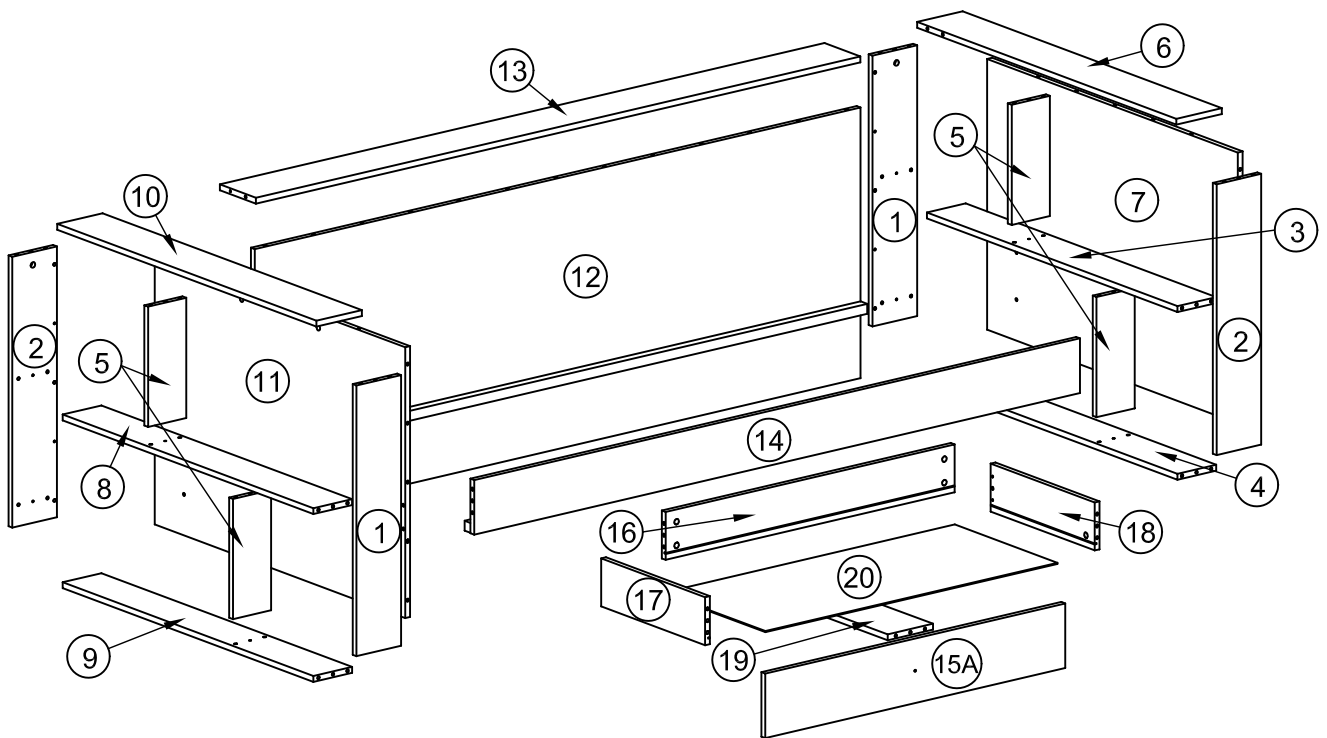
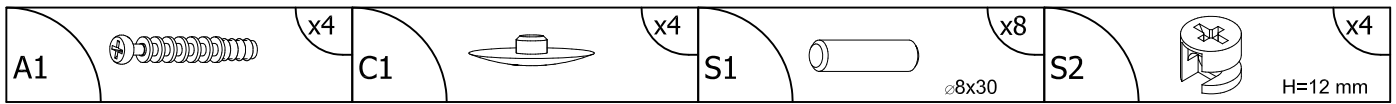


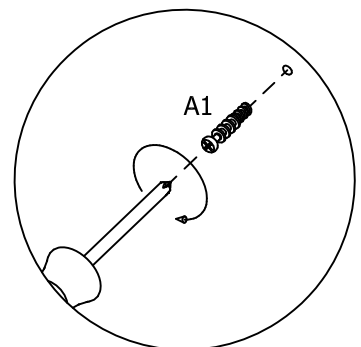
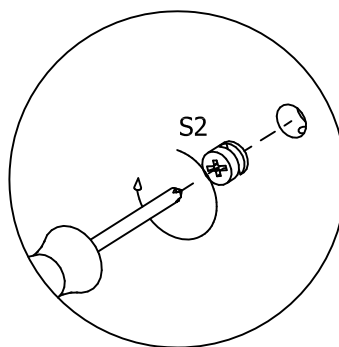
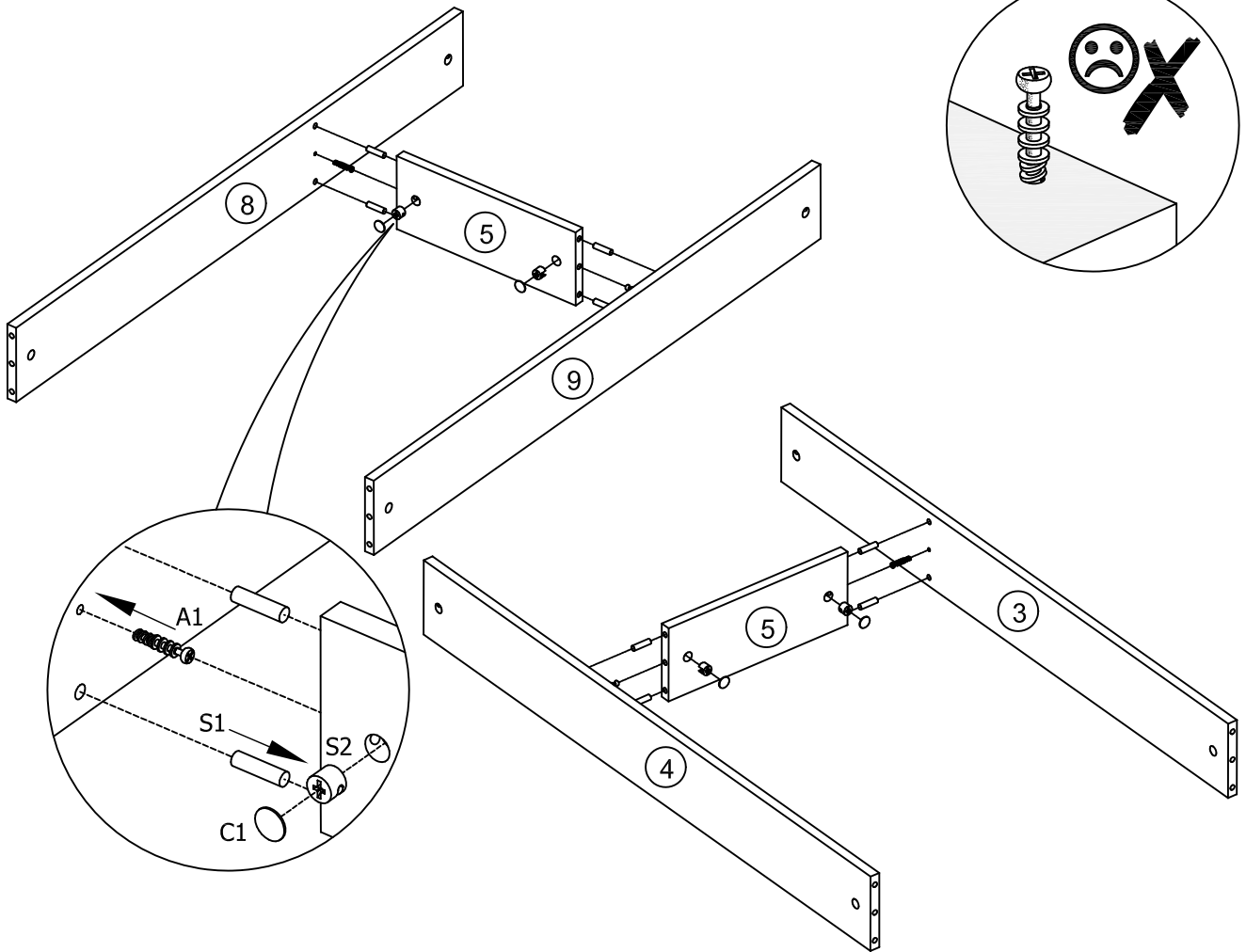
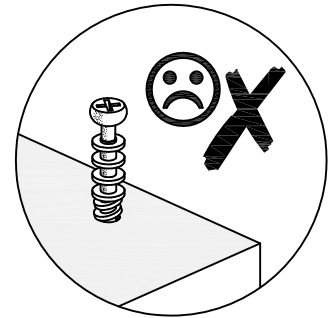
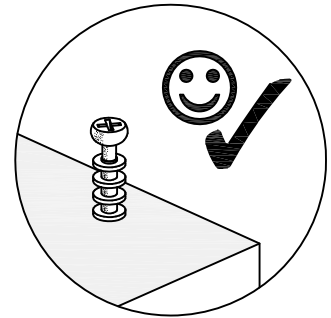
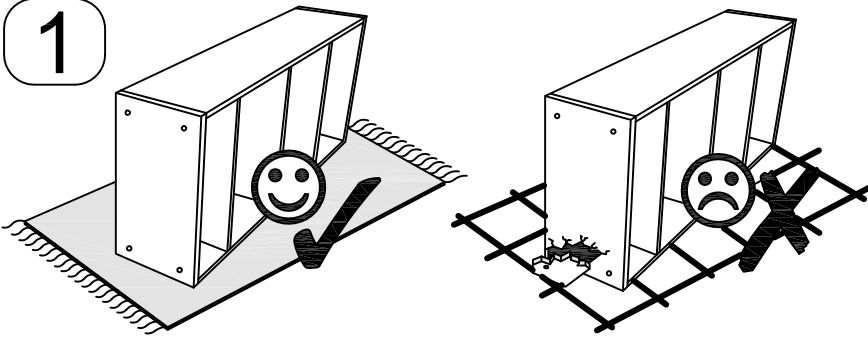
A1	 x59	A9	 x1	A11	 x16
A15	 x2	A17	 M4x22 x2	A34	 M6x65 x10
C1	 x46	C3	 x4	K11	 x10
K13	 x8	R19	 x2	S1	 x88
S2	 H=12 mm x63	S13	 x10		



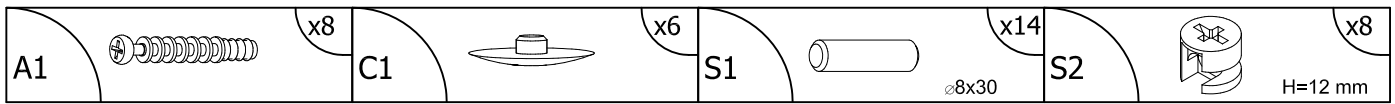
1	2	734 x 147 x 16	
2	2	734 x 147 x 16	
3	1	1046 x 128 x 16	
4	1	1046 x 128 x 16	
5	4	326 x 126 x 16	
6	1	1082 x 150 x 16	
7	1	1046 x 734 x 16	
8	1	1046 x 128 x 16	
9	1	1046 x 128 x 16	
10	1	1082 x 150 x 16	
11	1	1046 x 734 x 16	
12	1	2000 x 734 x 16	
13	1	1996 x 150 x 16	
14	1	2000 x 148 x 16	
15A	2	990 x 185 x 16	
16	2	954 x 126 x 16	
17	2	434 x 126 x 16	
18	2	434 x 126 x 16	
19	2	418 x 150 x 16	
20	2	428 x 964 x 3	



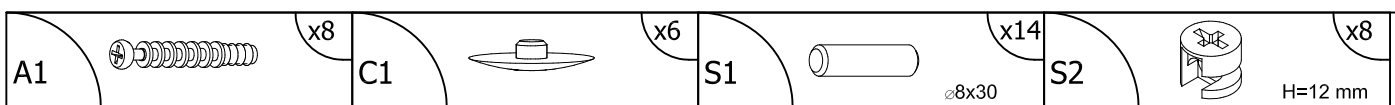
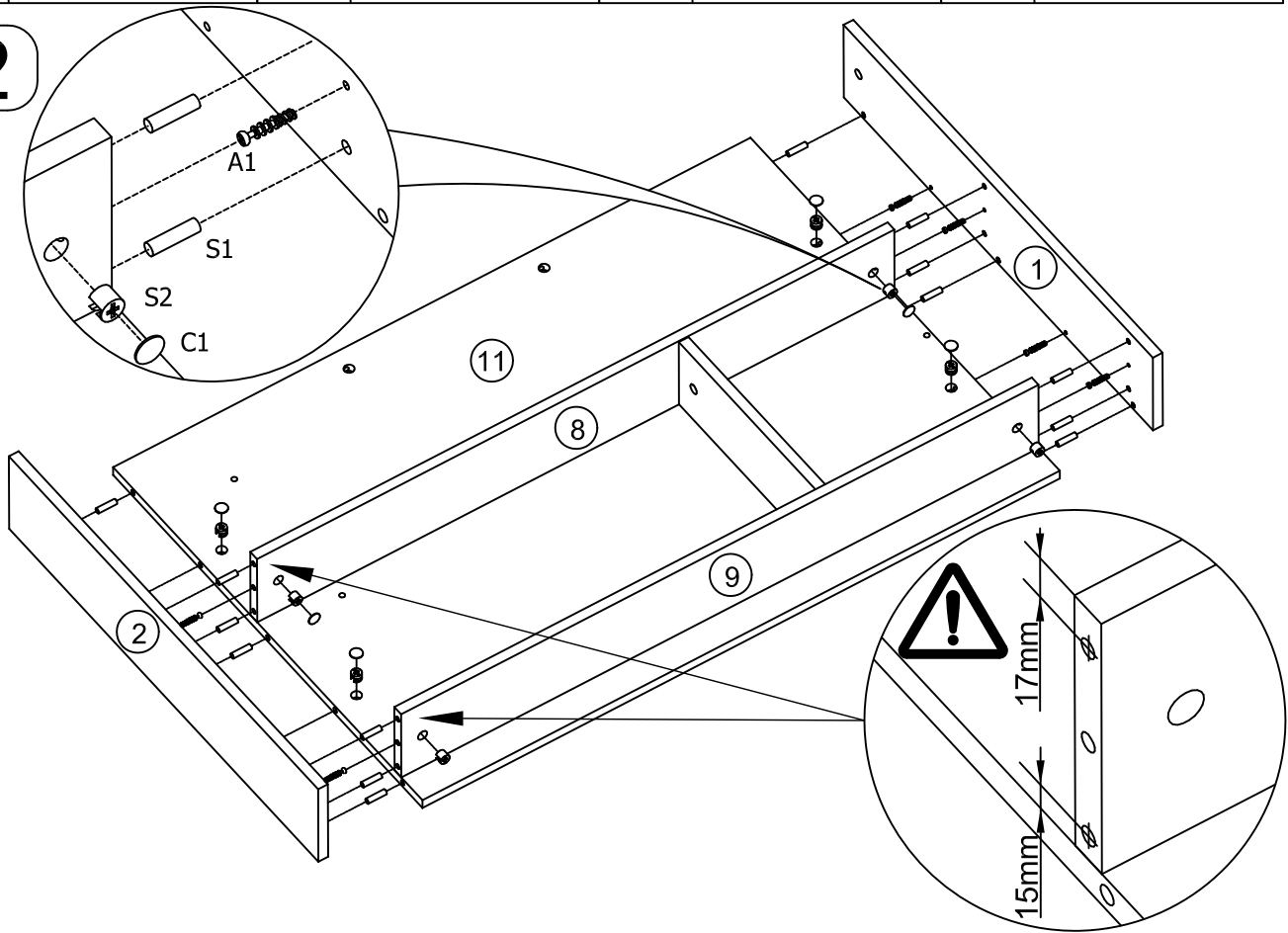
1



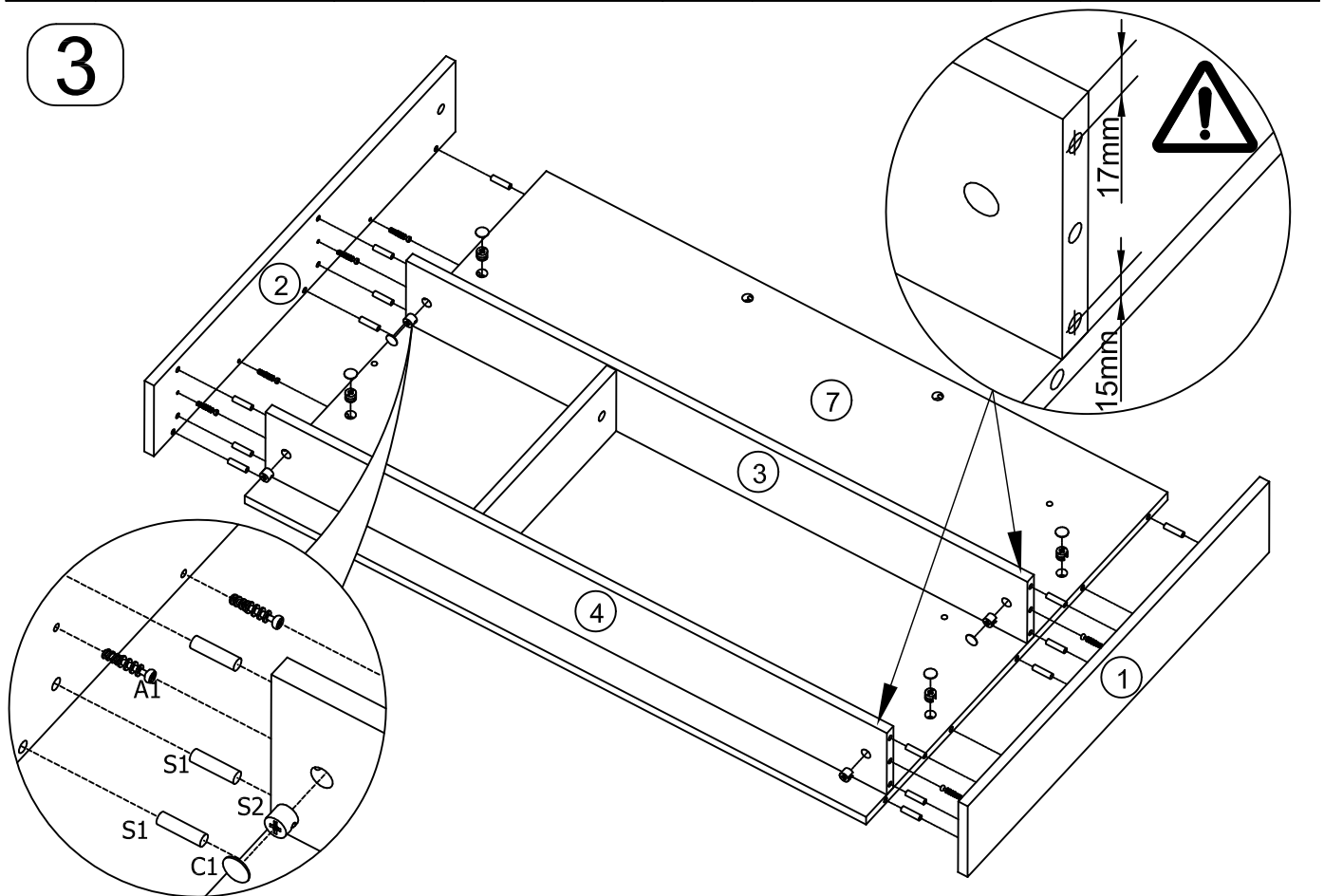
2483

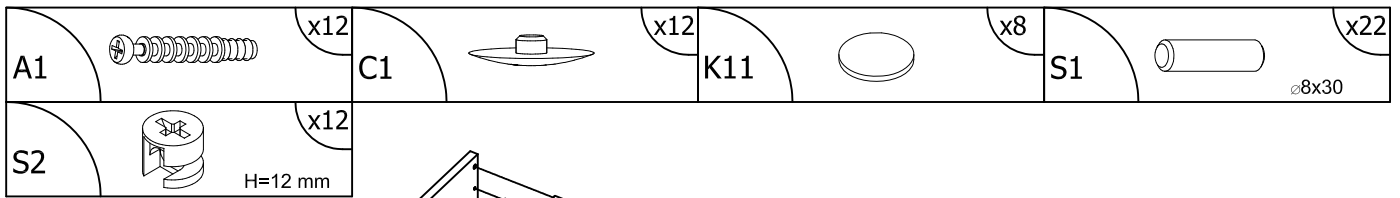


2

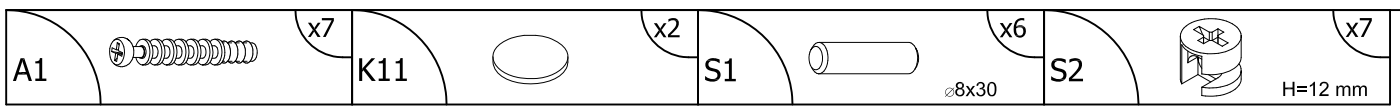
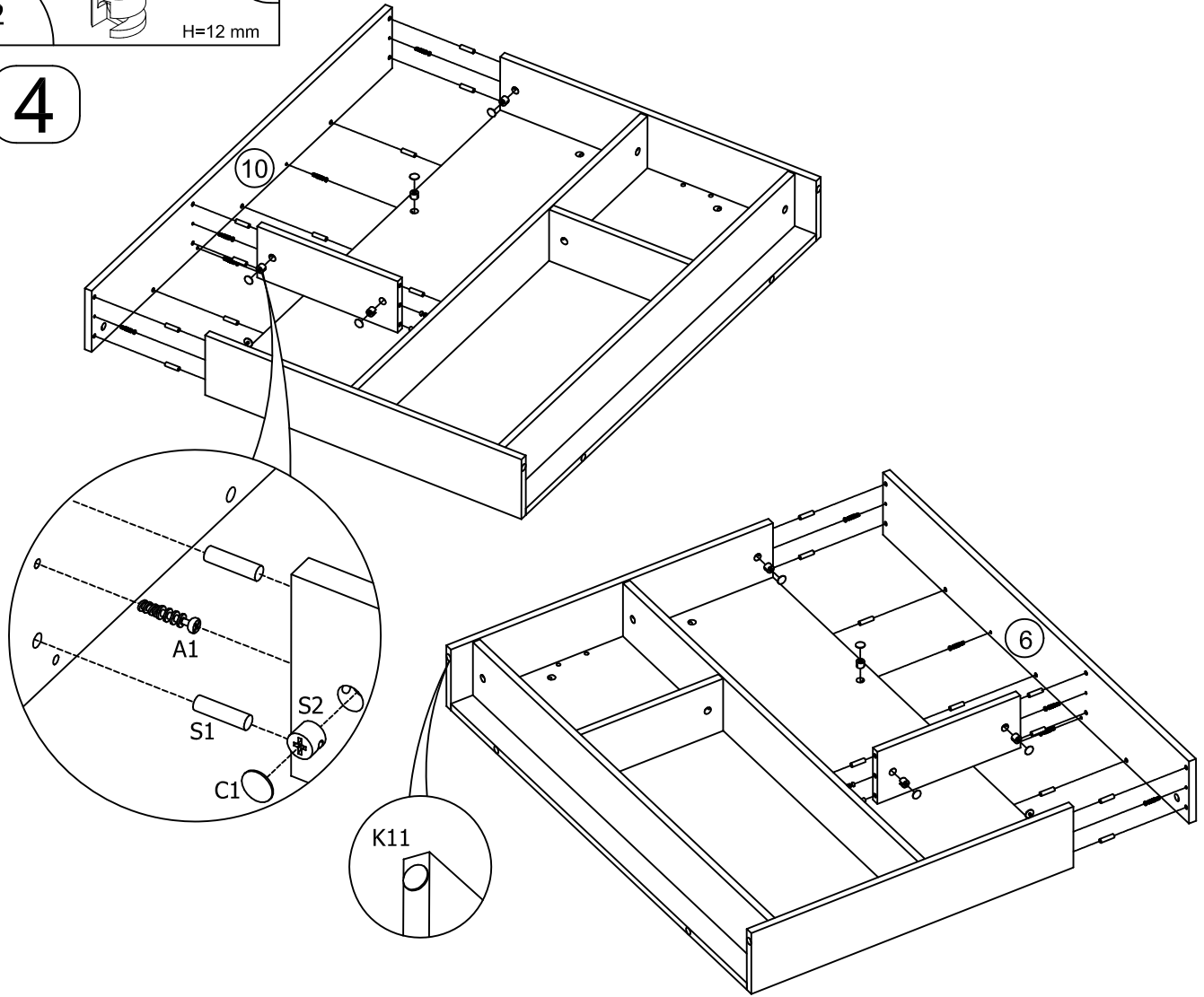


3

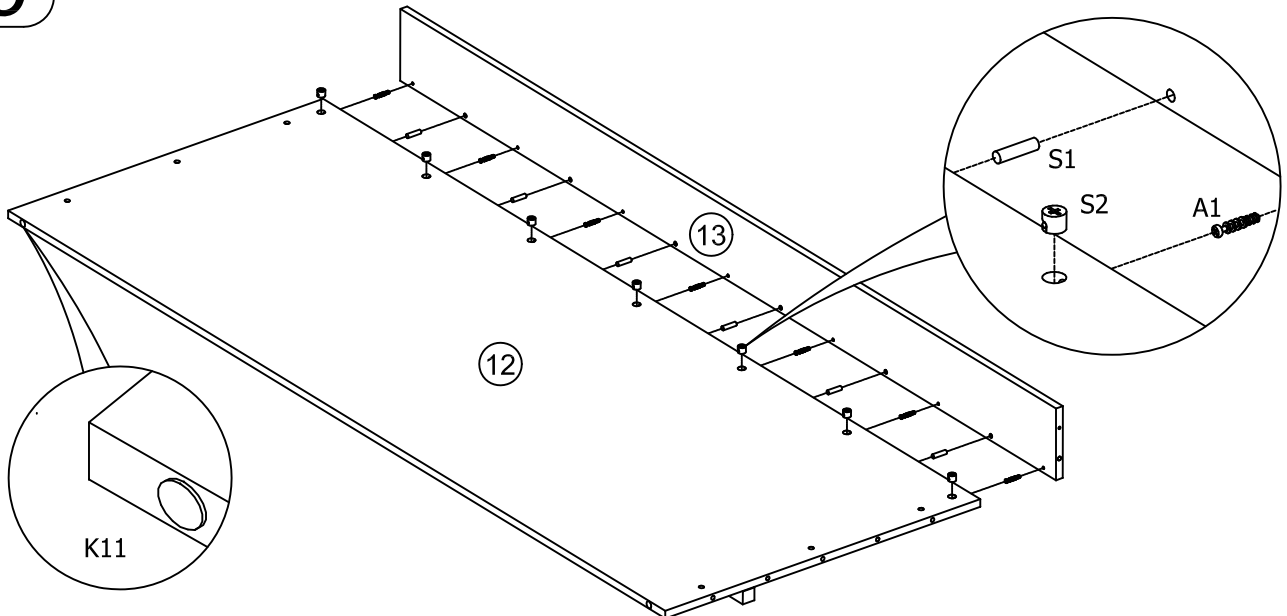



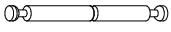


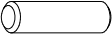
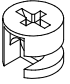



4

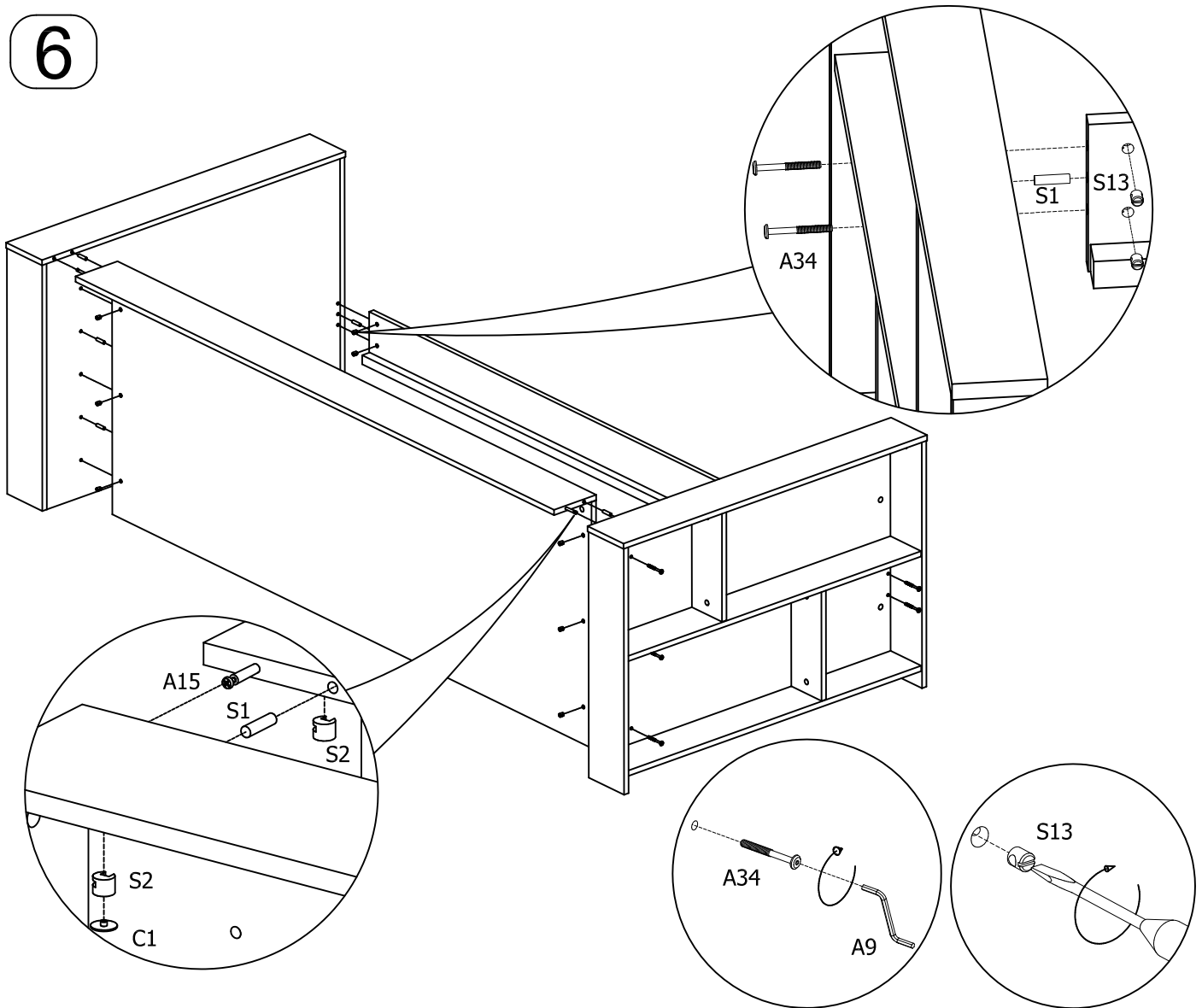





5



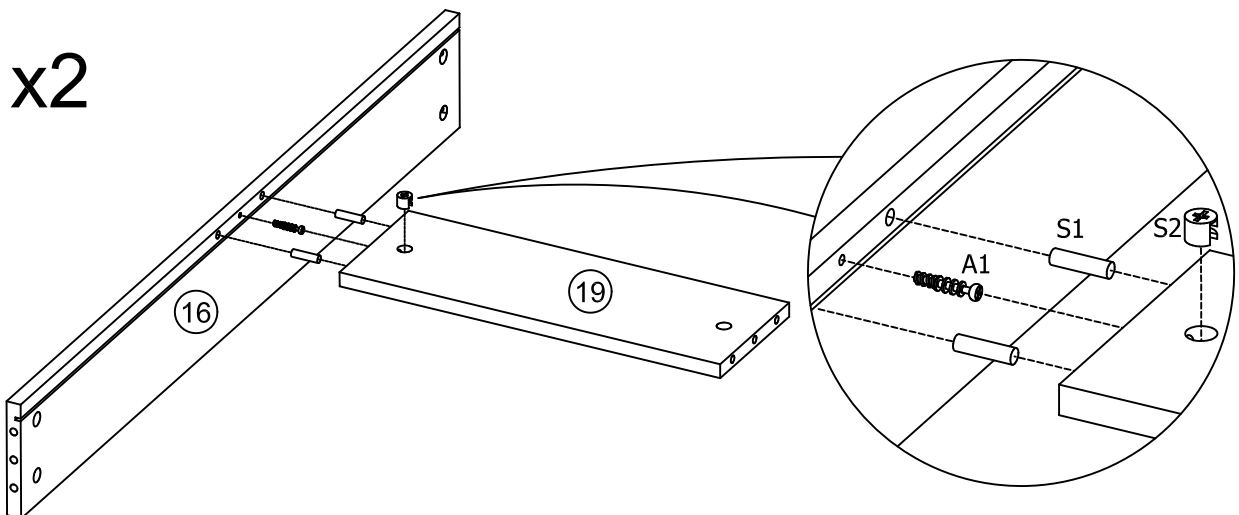
A9	 x1	A15	 x2	A34	 M6x65 x10	C1	 x2
S1	 $\varnothing 8 \times 30$ x8	S2	 H=12 mm x2	S13	 x10		



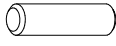
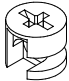
6



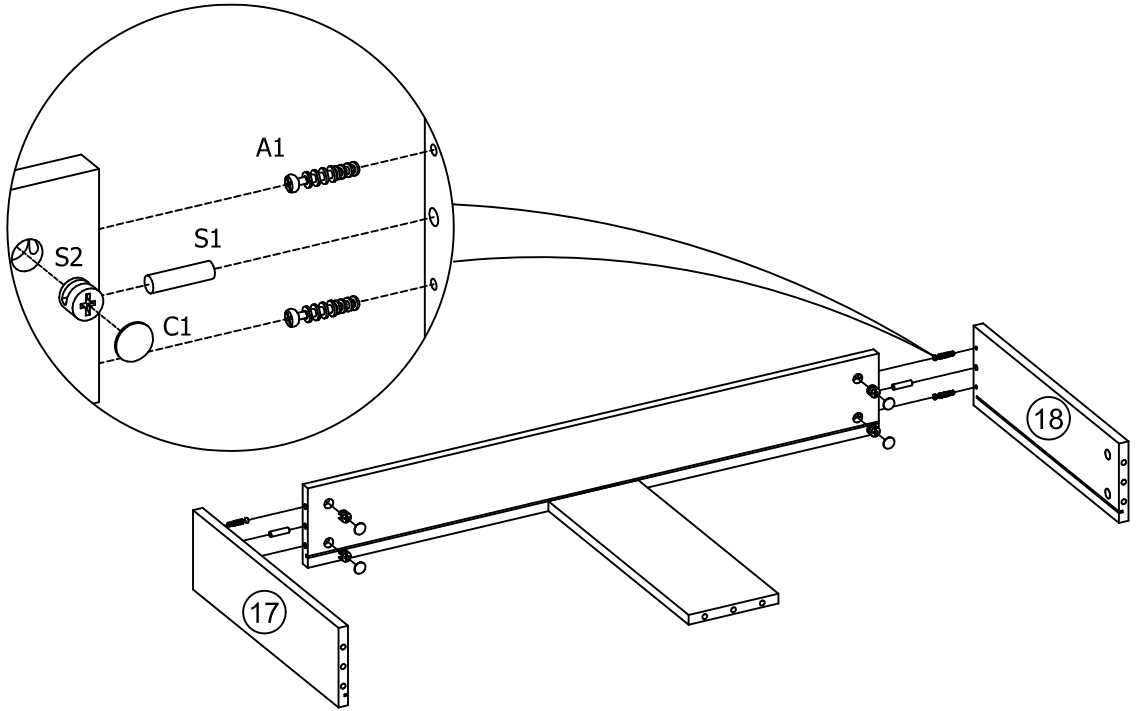
A1	 x2	S1	 $\varnothing 8 \times 30$ x4	S2	 H=12 mm x2
----	--	----	--	----	--





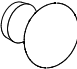


7 x2



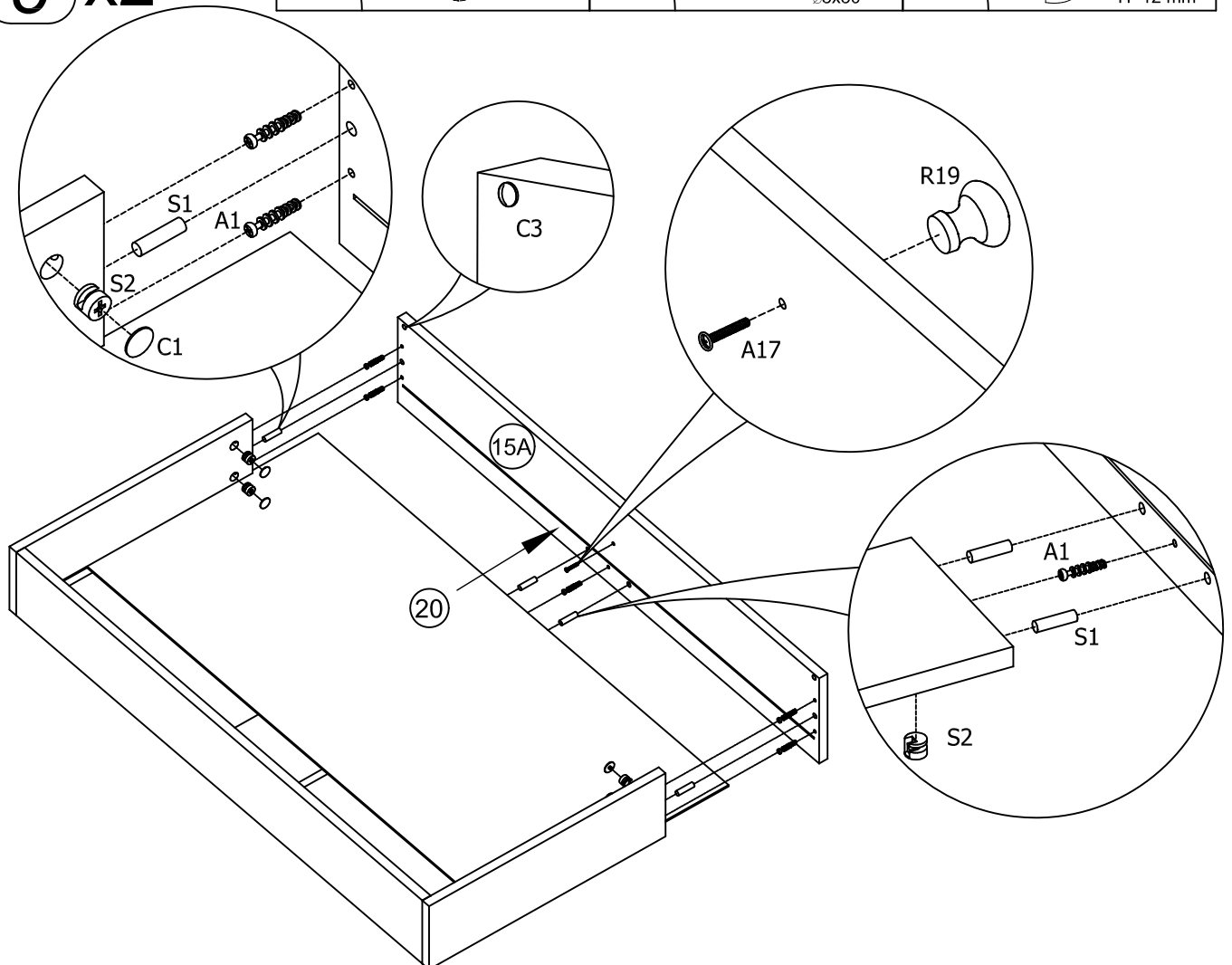
A1	 x8	C1	 x8	S1	 x4 ∅8x30	S2	 x8 H=12 mm
----	---	----	---	----	--	----	--

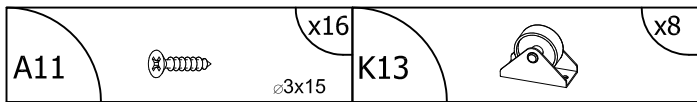
8 x2



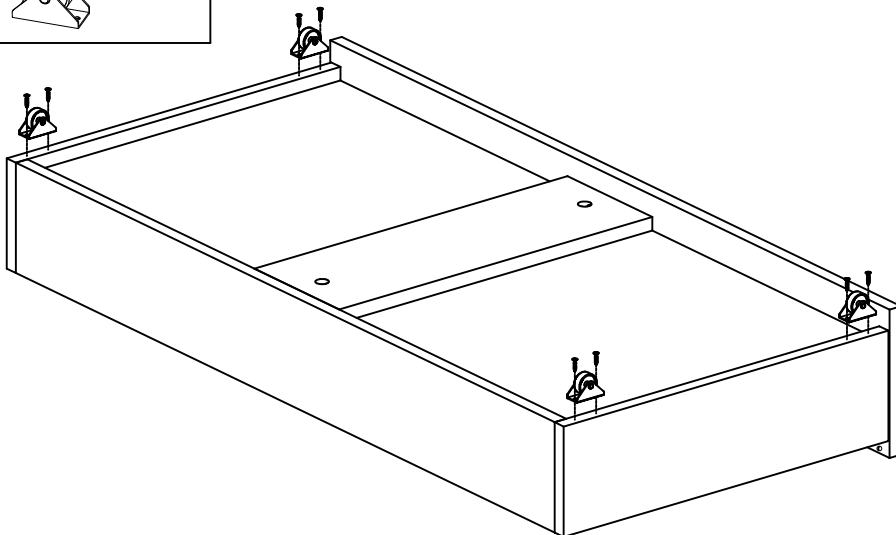
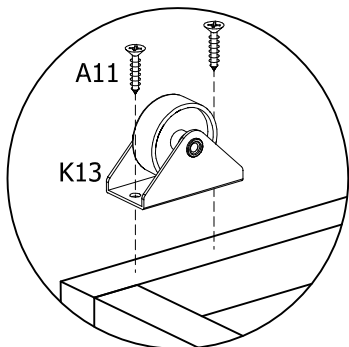
A1	 x10	A17	 x2 M4x22	C1	 x8	C3	 x4
9 x2		R19	 x2	S1	 x8 ∅8x30	S2	 x10 H=12 mm

9 x2

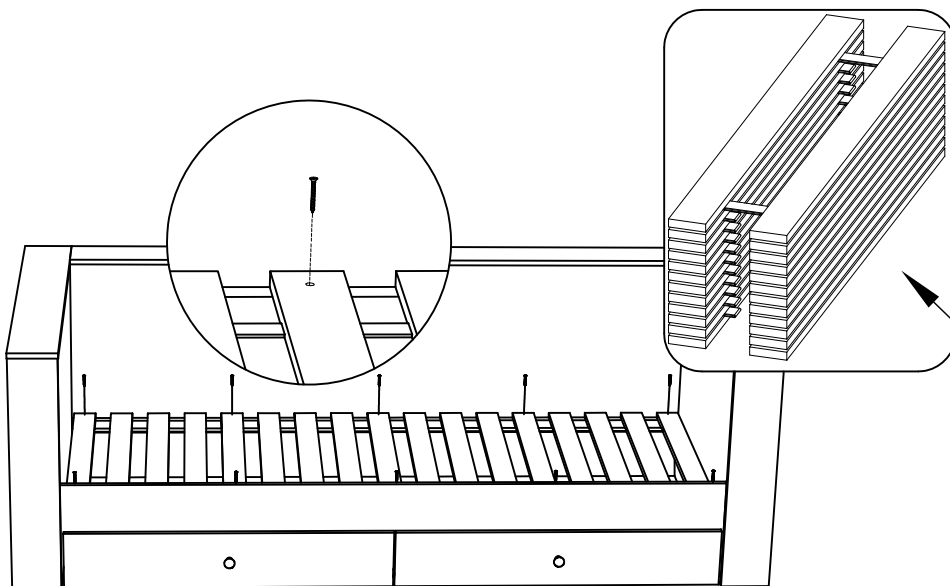
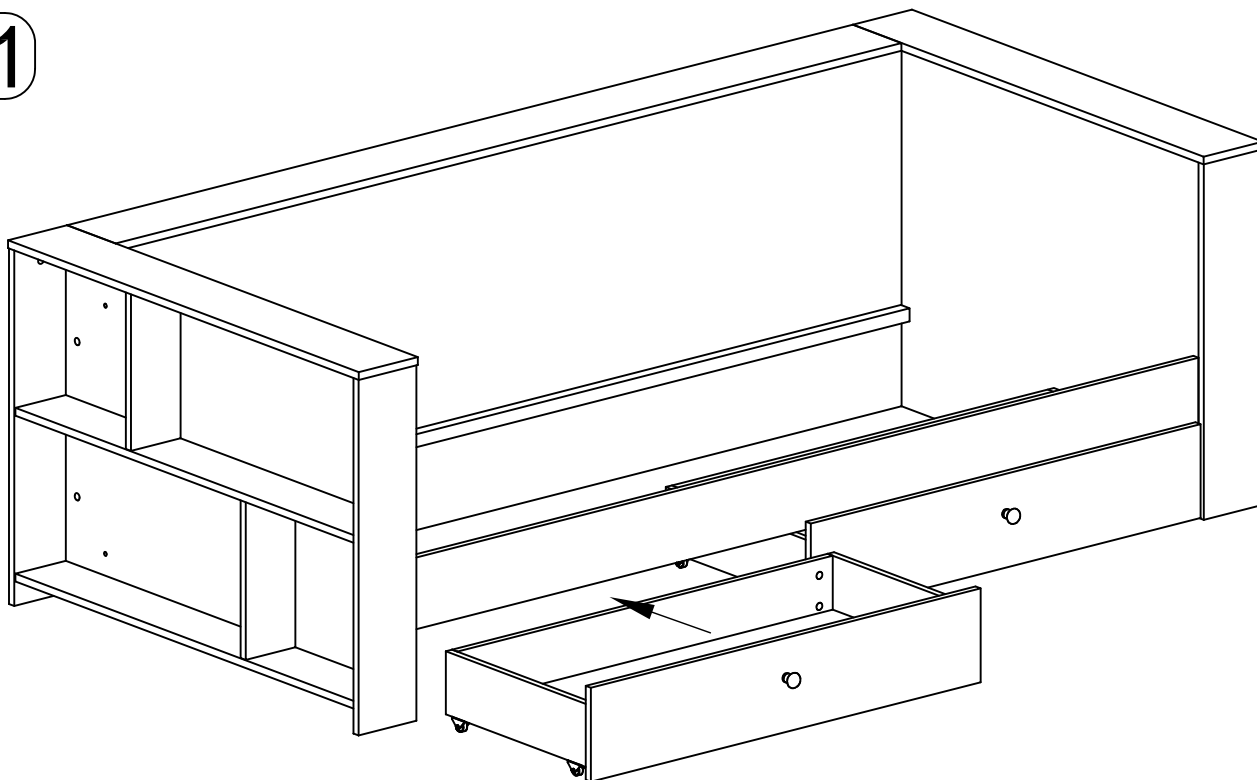




10 x2



11



D	nicht enthalten
GB	not included
FR	non inclus
IT	non incluso
NL	niet inbegrepen
PL	niewzględnione
CZ	není zahrnuto
SK	nie sú zahrnuté
HU	nem tartalmazza
RO	nu sunt incluse
TR	dahil deđil
RU	не включено

2483