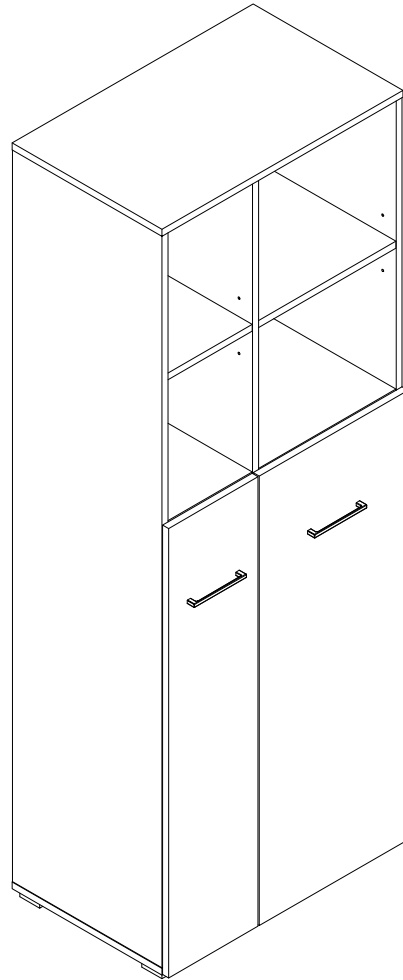
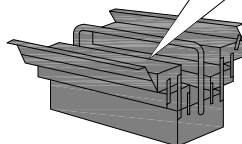
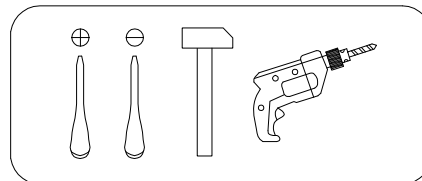
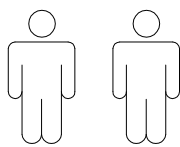


Art. Nr. 5986 0659, 6588 8557

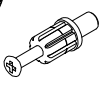



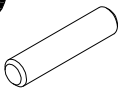
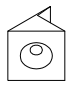
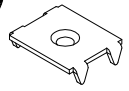
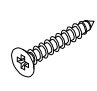
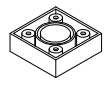

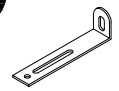



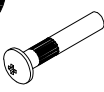

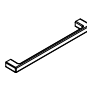


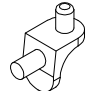
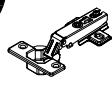


LKZ 41164



- | | |
|---|-------------------------------------|
| (D) Montageanleitung | (GB) Assembly instructions |
| (FR) Notice de montage | (IT) Istruzioni di montaggio |
| (NL) Handleiding voor de montage | (PL) Instrukcja montazu |
| (CZ) Montážní návod | (SK) Návod na montáž |
| (HU) Szerelési útmutató | (RO) Instrukțiuni de montaj |
| (TR) Montaj talimatı | (RU) Инструкция по монтажу |





A 090913  7x32 x20	B 000146  15x12 x20	C 100640  20x0.5 x16	D 100640  20x0.5 x4	E 000151  8x35 x12	F 135021  x18
G 062367  x5	H 000759  3x20 x23	I 177473  x4	J 010942  4x16 x24	K 155999  x1	L 000754  3.5x16 x2
M 090185  4.5x45 x1	N 013859  8x40 x1	O 005145  M4x29 x2	P 000379  M4x16 x2	Q 234856  x2	R 002704  M4x20 x4
S 230041  22x16 x4	T 125913  x24	U 168982  x4	V 235594  6.3x16 x8	W 238968  Places of Style x1	

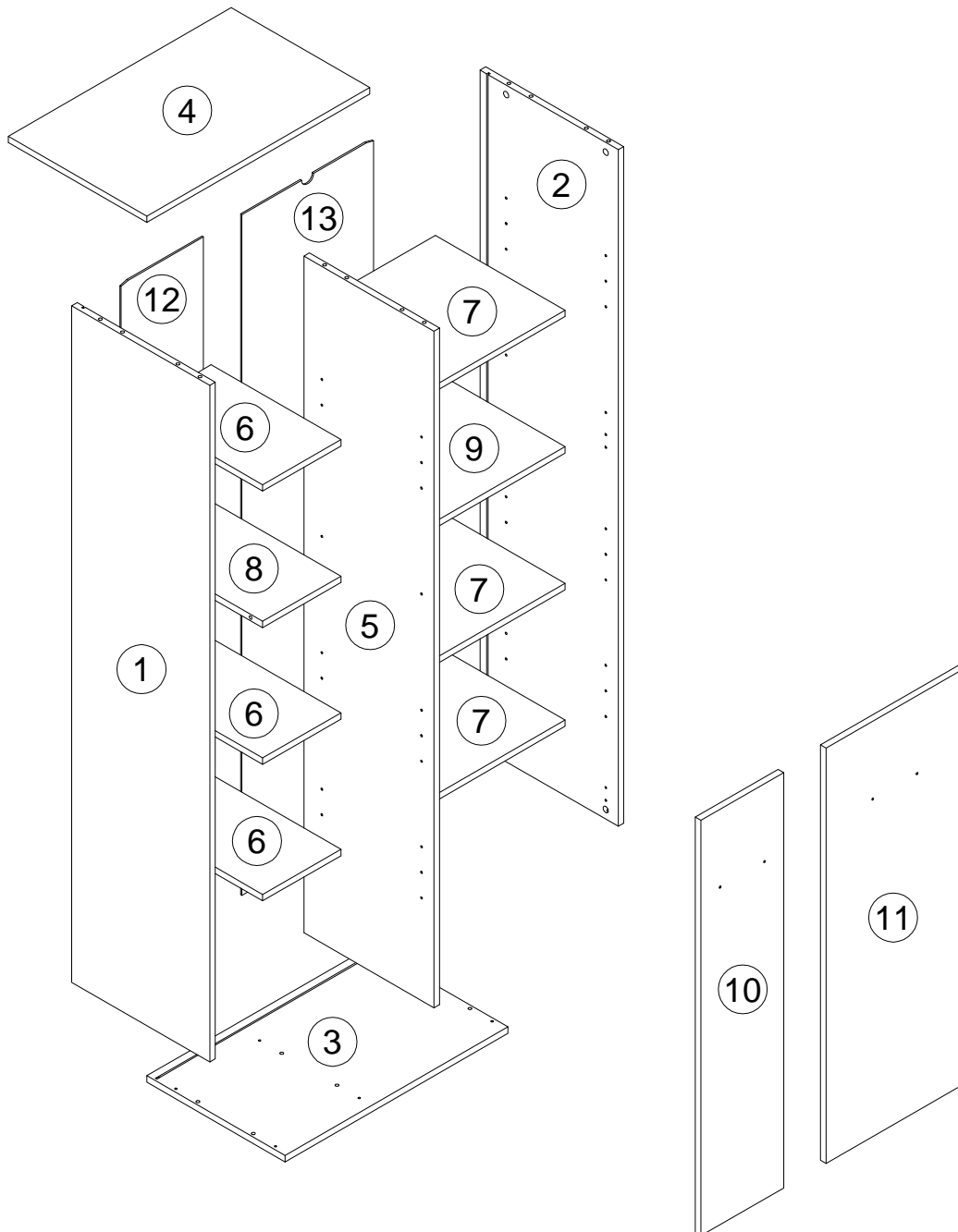
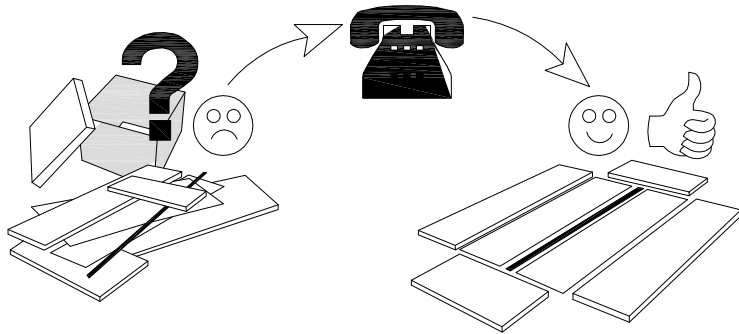
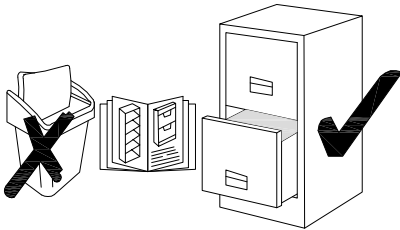
N	Size/MaB (mm)	Qty	✓	N	Size/MaB (mm)	Qty	✓
1	1694x399x16	1		7	368x375x16	3	
2	1694x399x16	1		8	226x375x16	1	
3	644x400x16	1		9	368x375x16	1	
4	644x400x16	1		10	1040x239x16	1	
5	1694x376x16	1		11	1040x398x16	1	
6	226x375x16	3		12	1704x238x3	1	
				13	1704x380x3	1	

Service - Dienstverlening - Serwis - Servis - Сервисная служба

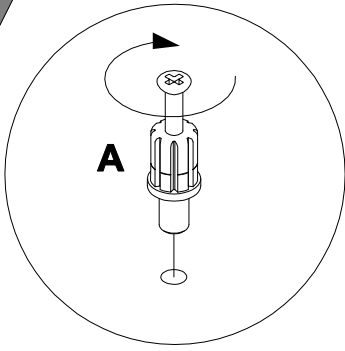
Name - Naam - Nazwa - Isim - Название

Nr. - No. - Номер

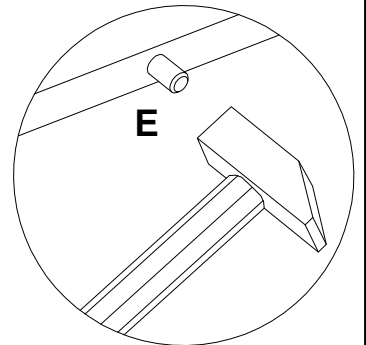
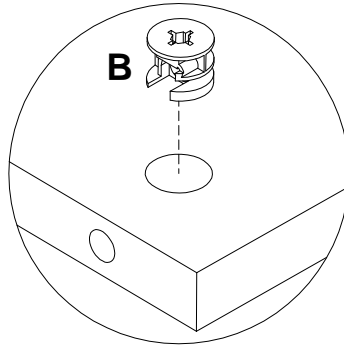
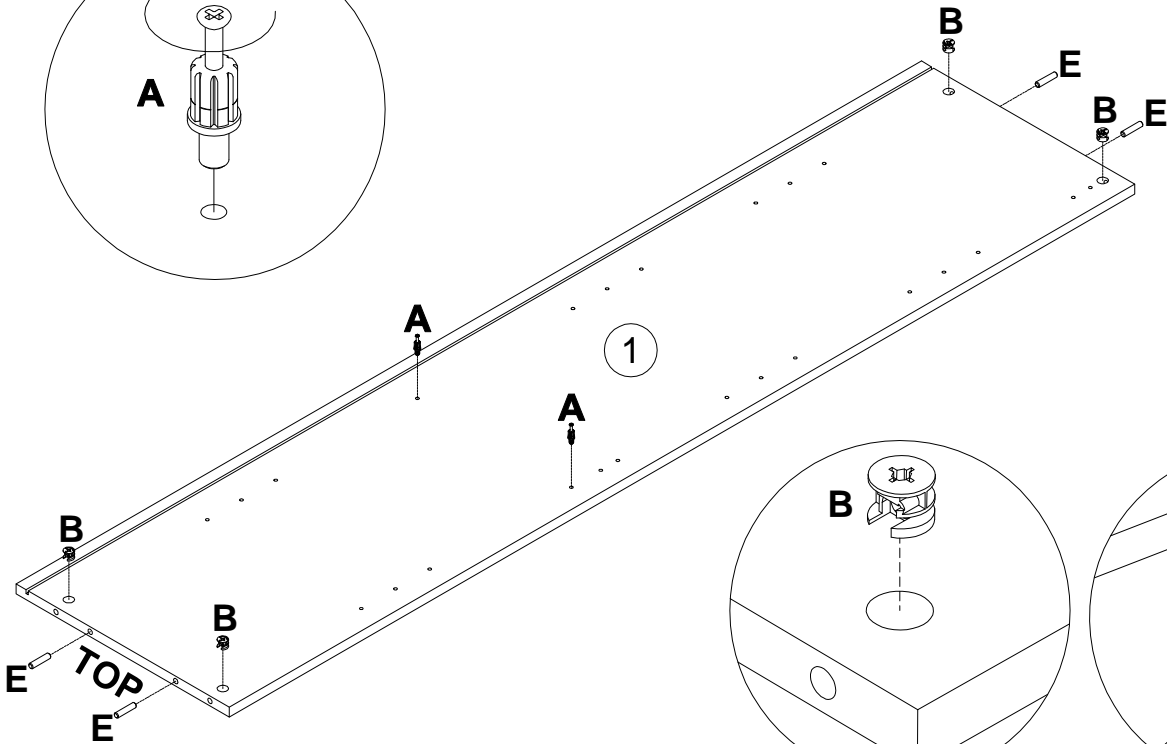
Typ - Type - Тип - Тип



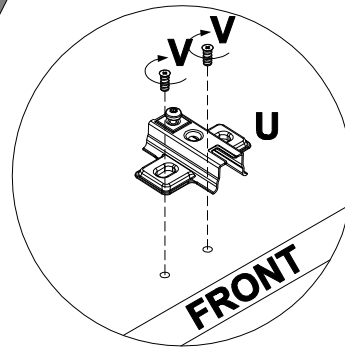
1



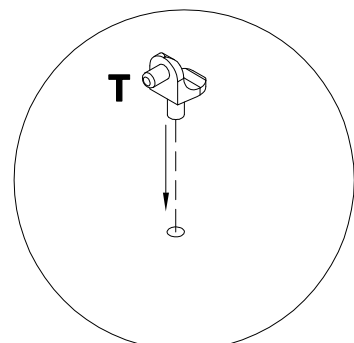
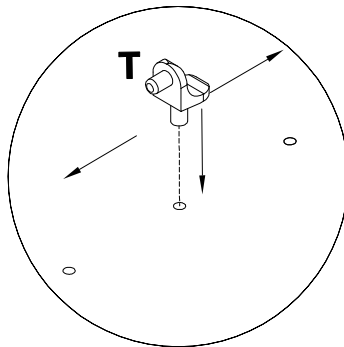
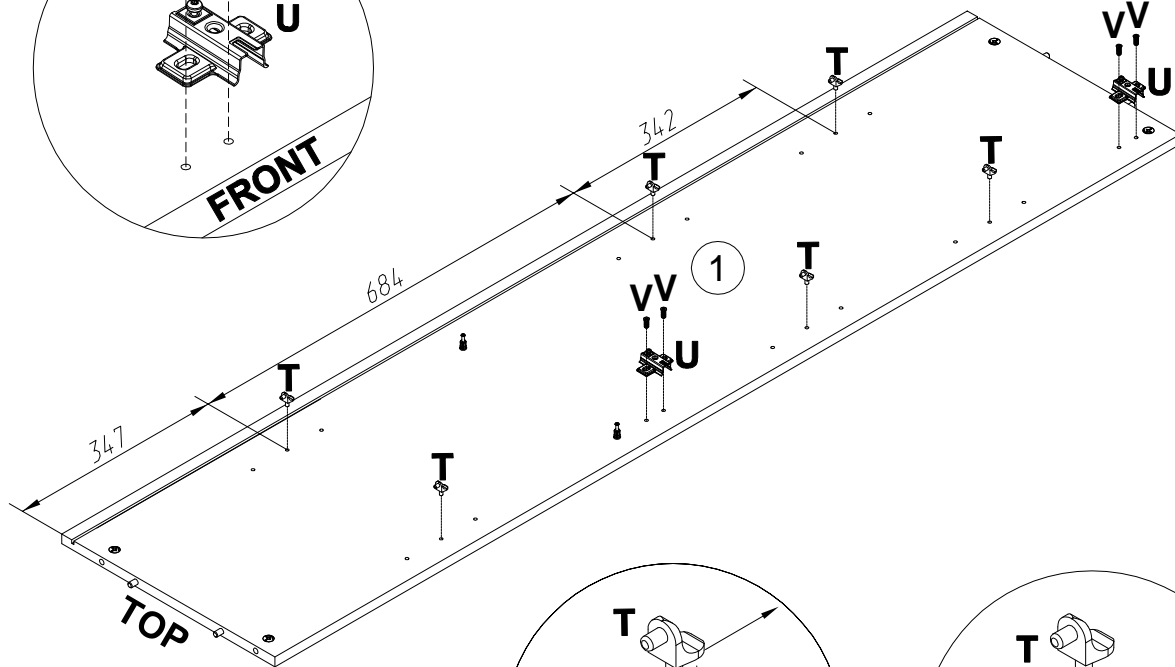
A		7x32
090913		x2
B		15x12
000146		x4
E		8x35
000151		x4



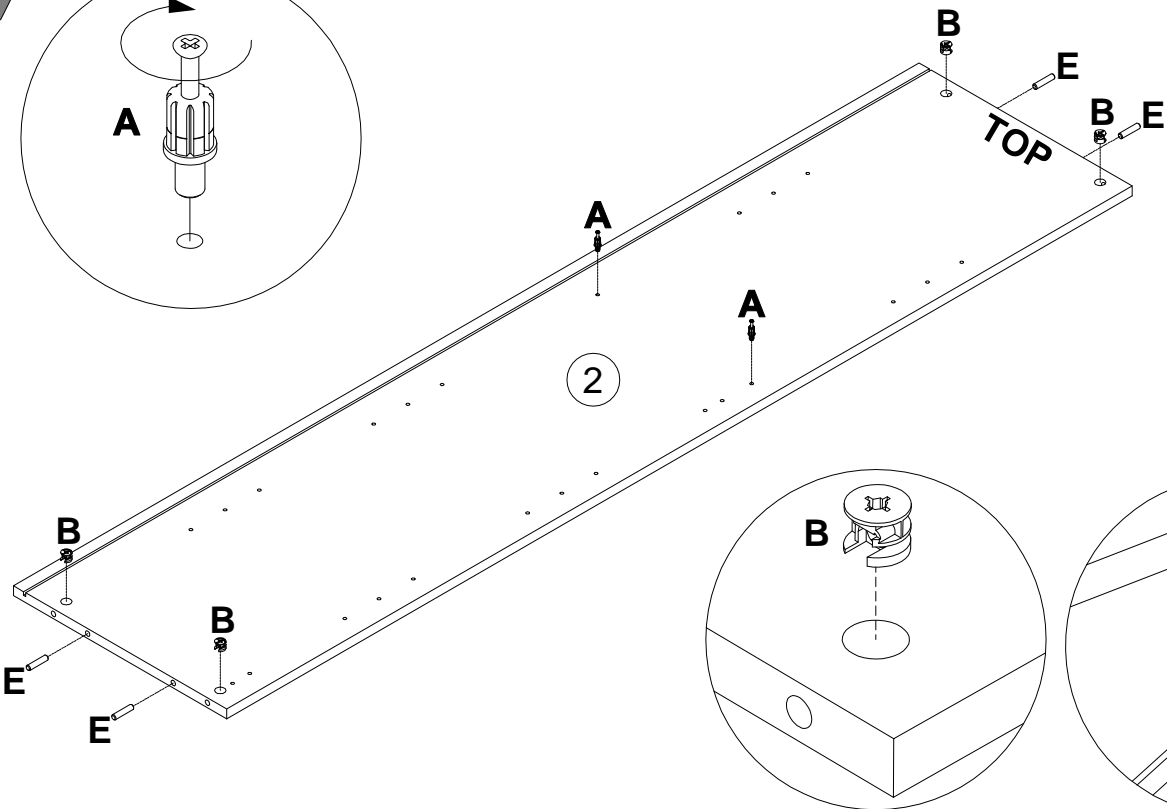
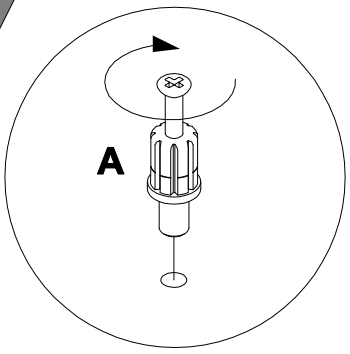
2



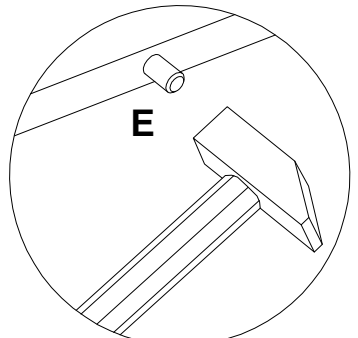
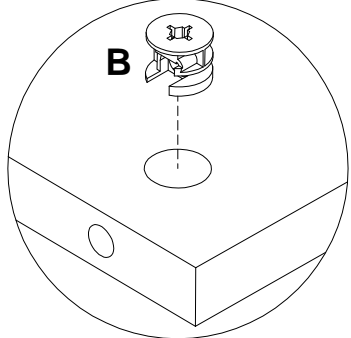
T		
125913		x6
U		
168982		x2
V		6.3x16
235594		x4



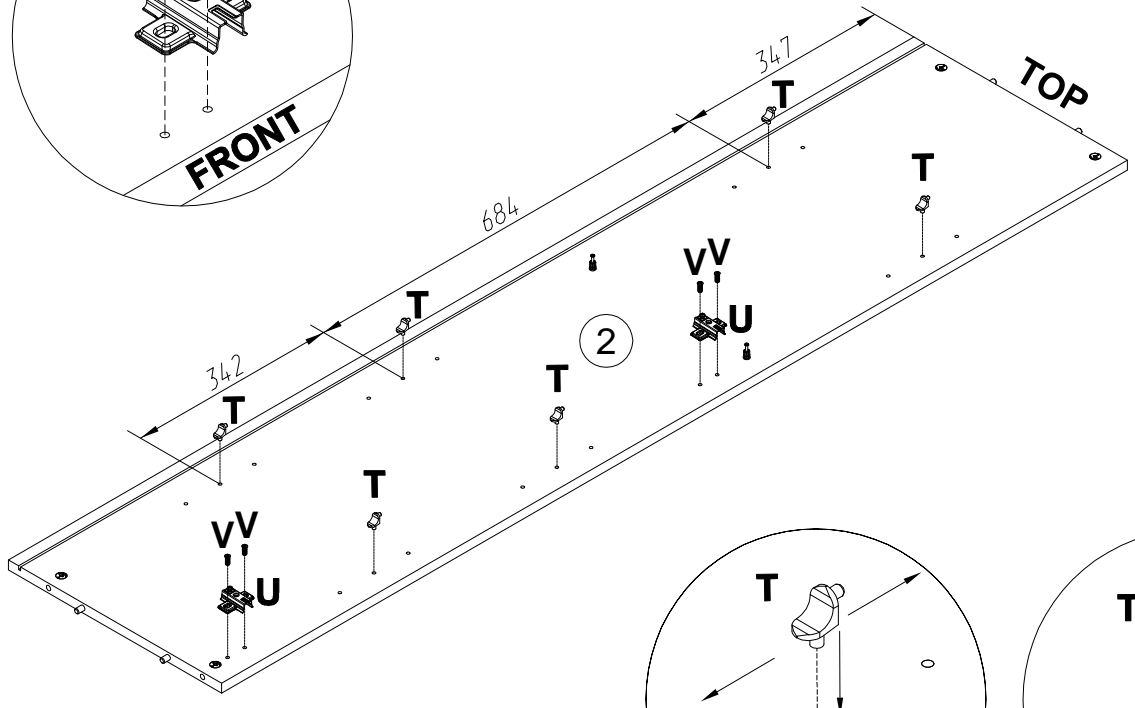
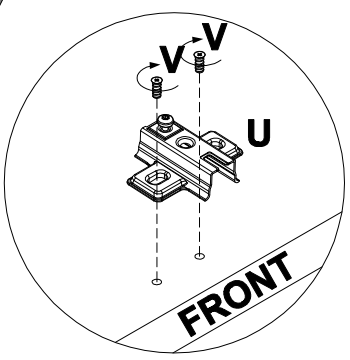
3



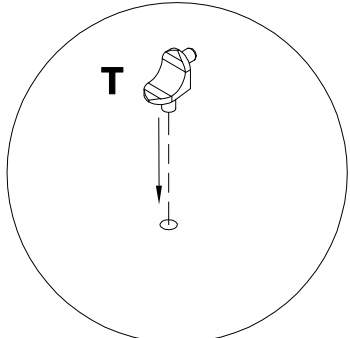
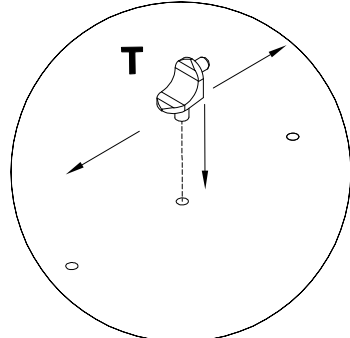
- A** 090913 7x32 **x2**
- B** 000146 15x12 **x4**
- E** 000151 8x35 **x4**



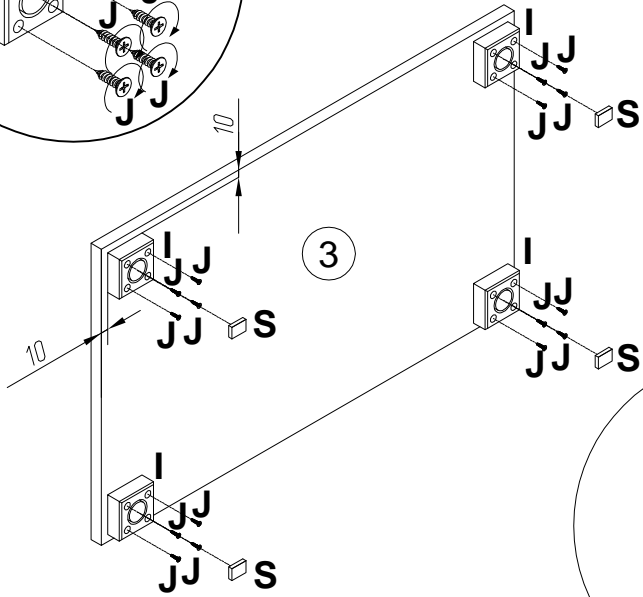
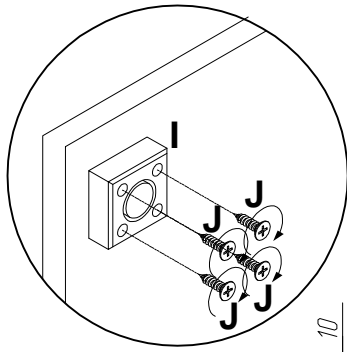
4



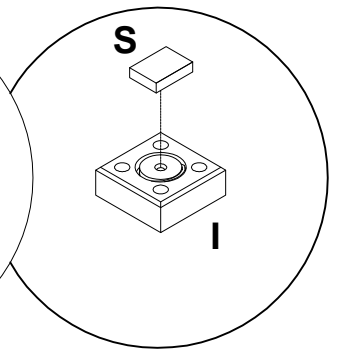
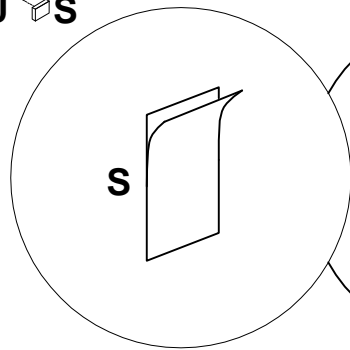
- T** 125913 **x6**
- U** 168982 **x2**
- V** 235594 6.3x16 **x4**



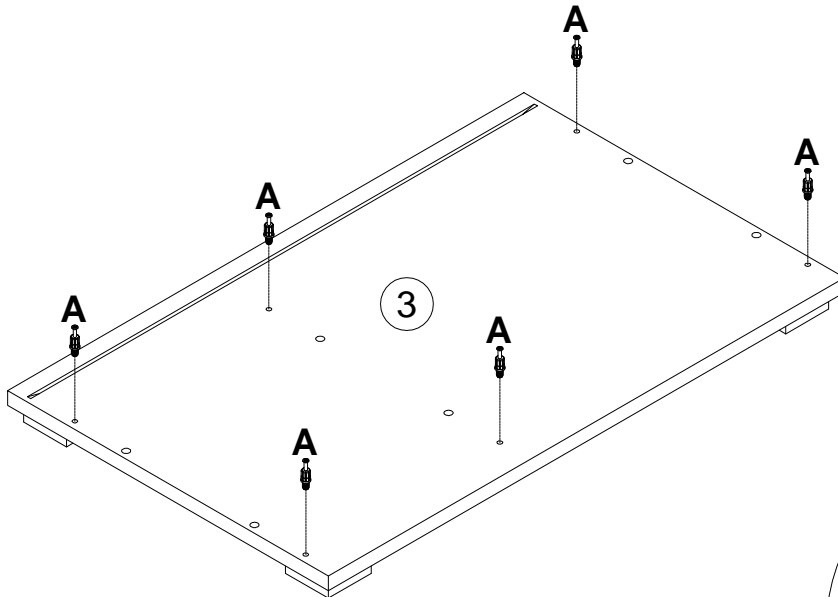
5



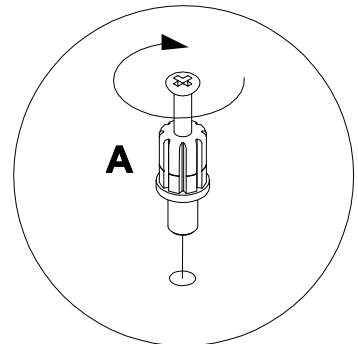
I	177473		x4
J	010942		4x16 x16
S	230041		22x16 x4



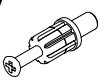
6

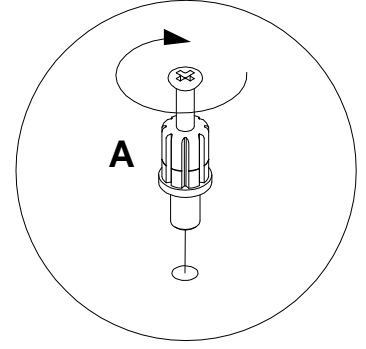
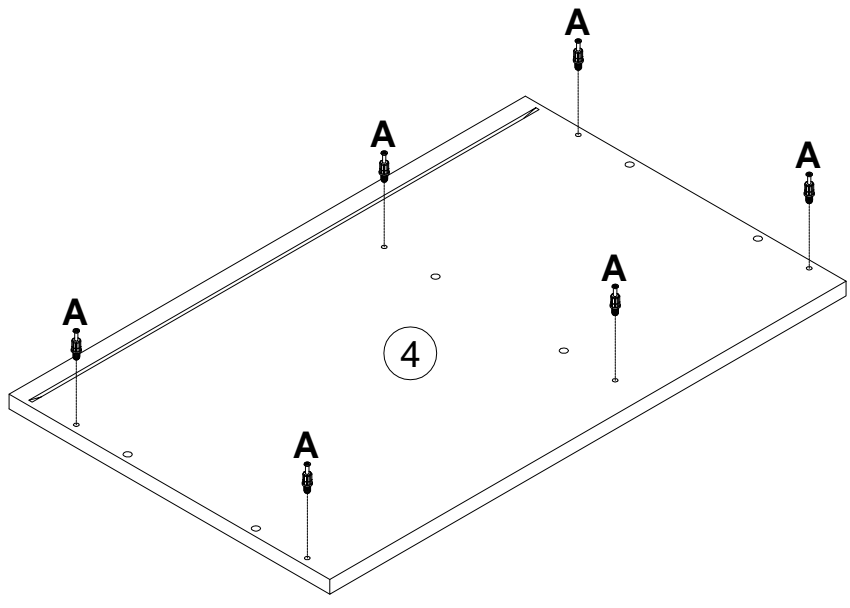


A	090913		7x32 x6
---	--------	--	------------

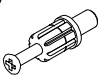
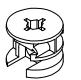



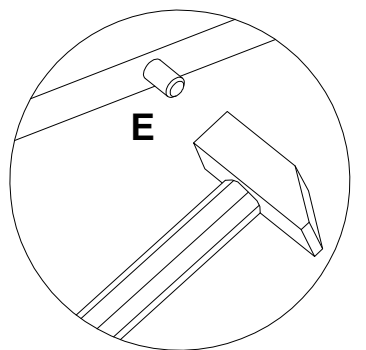
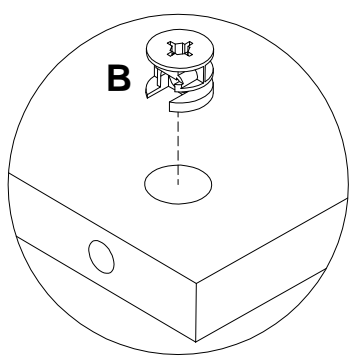
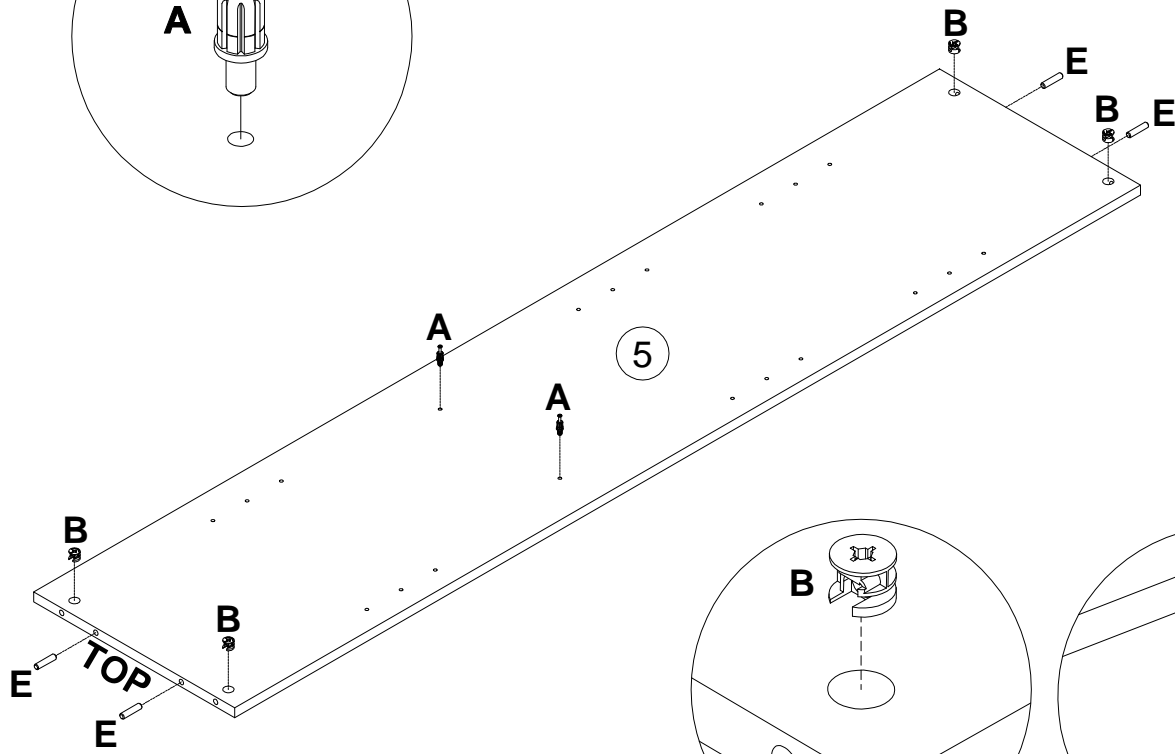
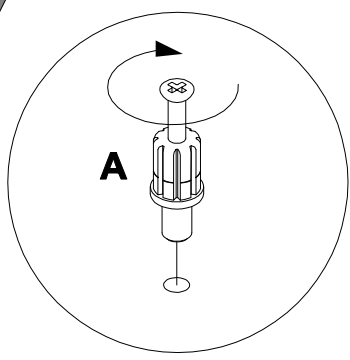
7

A		7x32
090913		x6



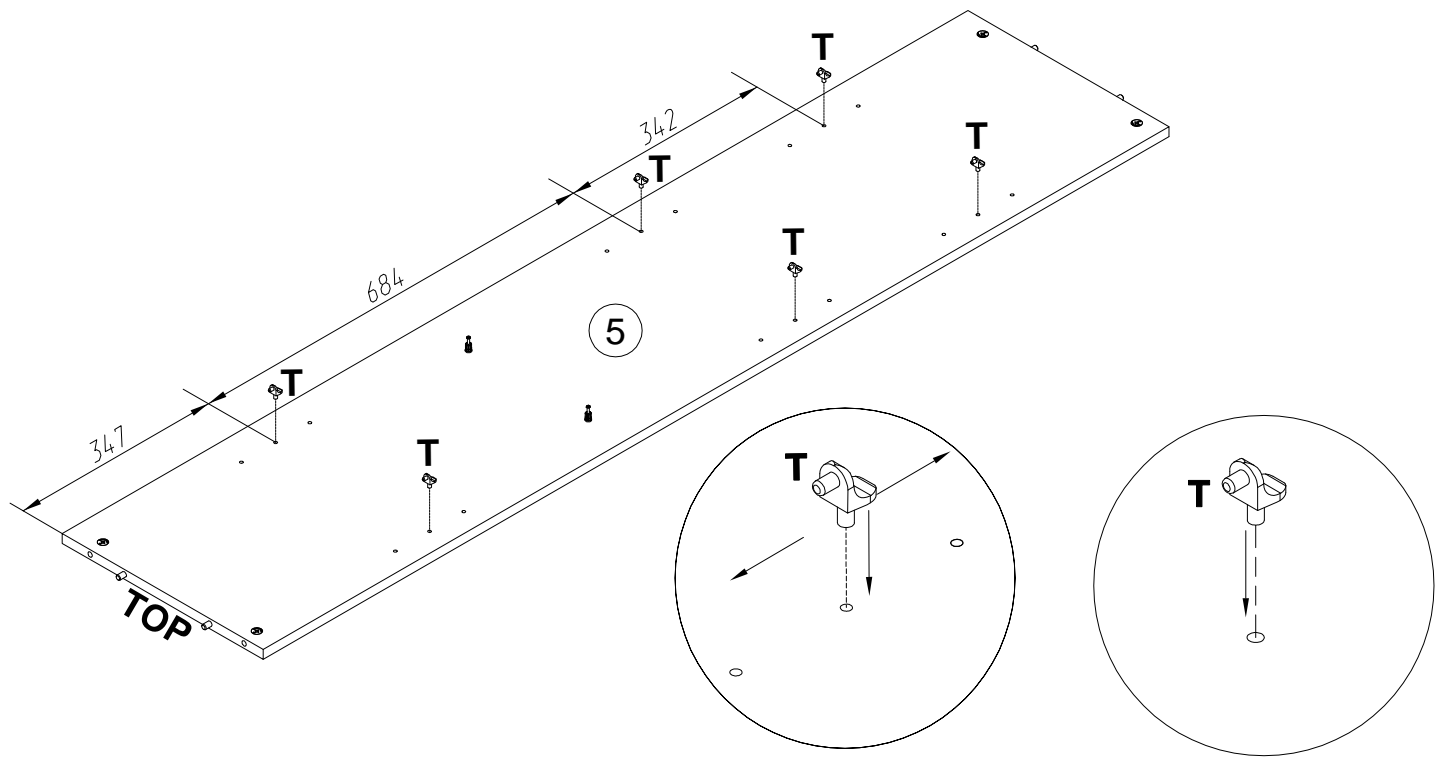
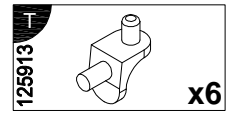
8

A		7x32
090913		x2
B		15x12
000146		x4
E		8x35
000151		x4

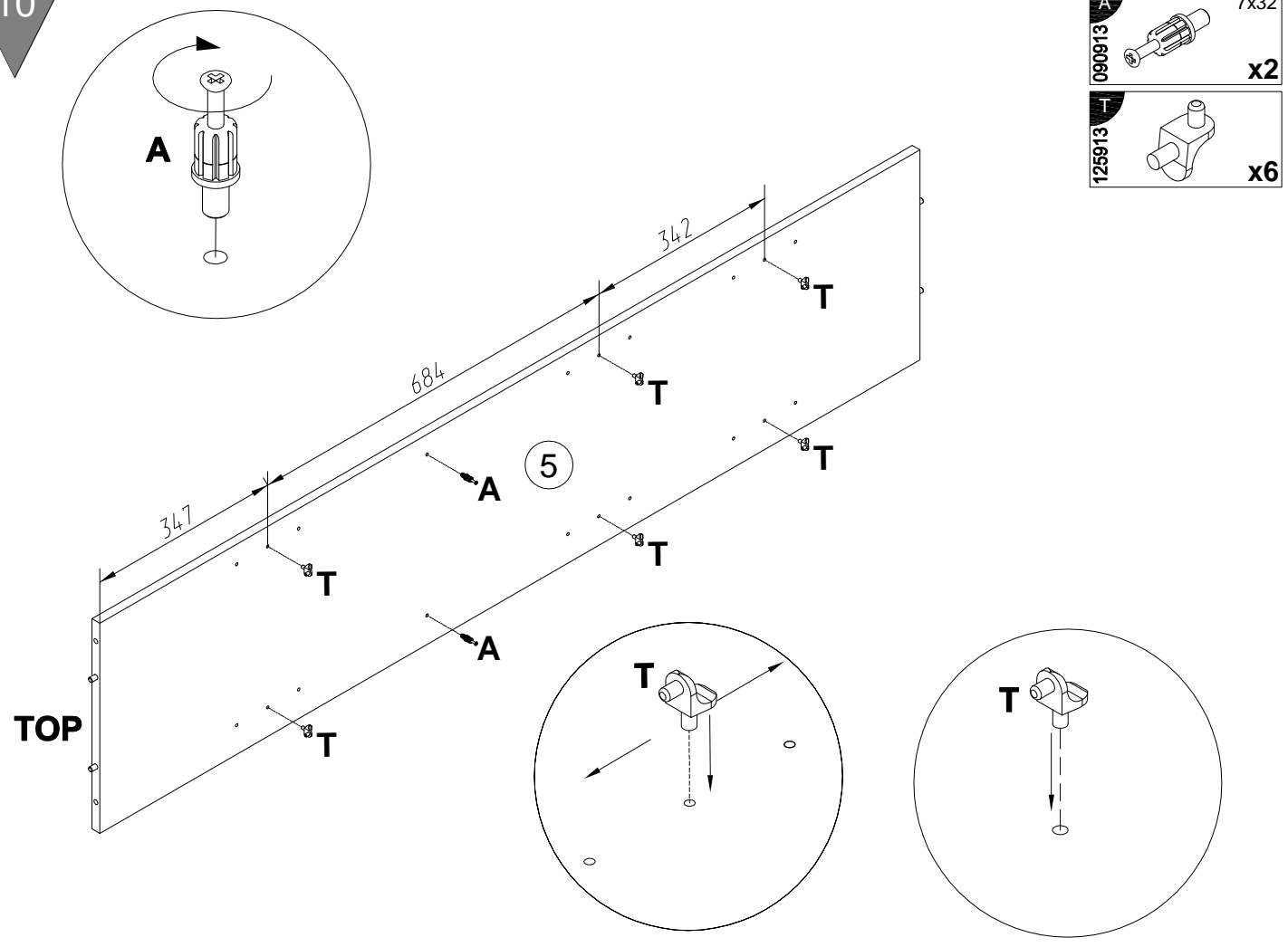
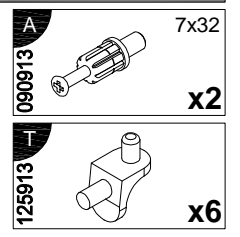


7

9



10



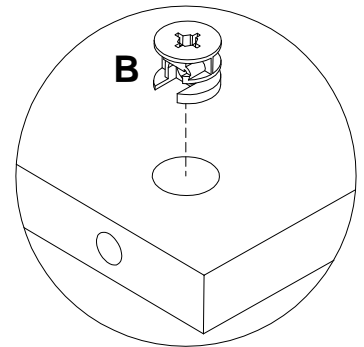
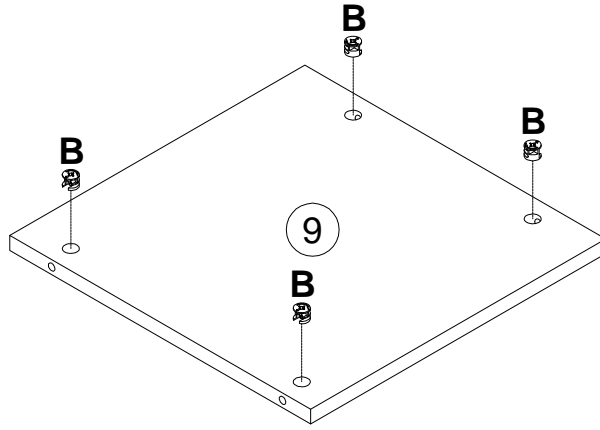
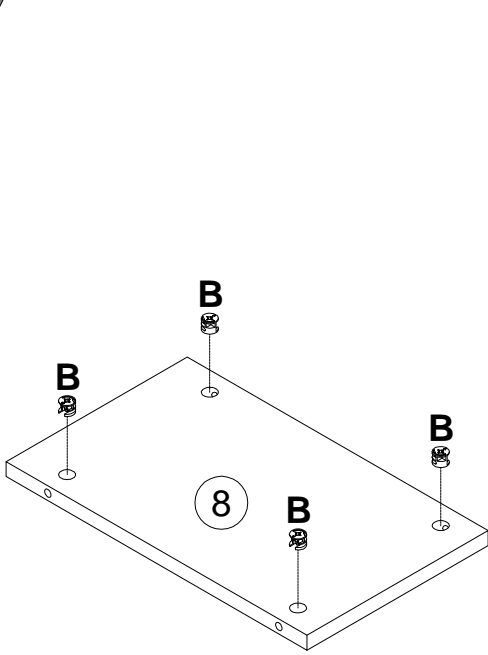
11

000146 B

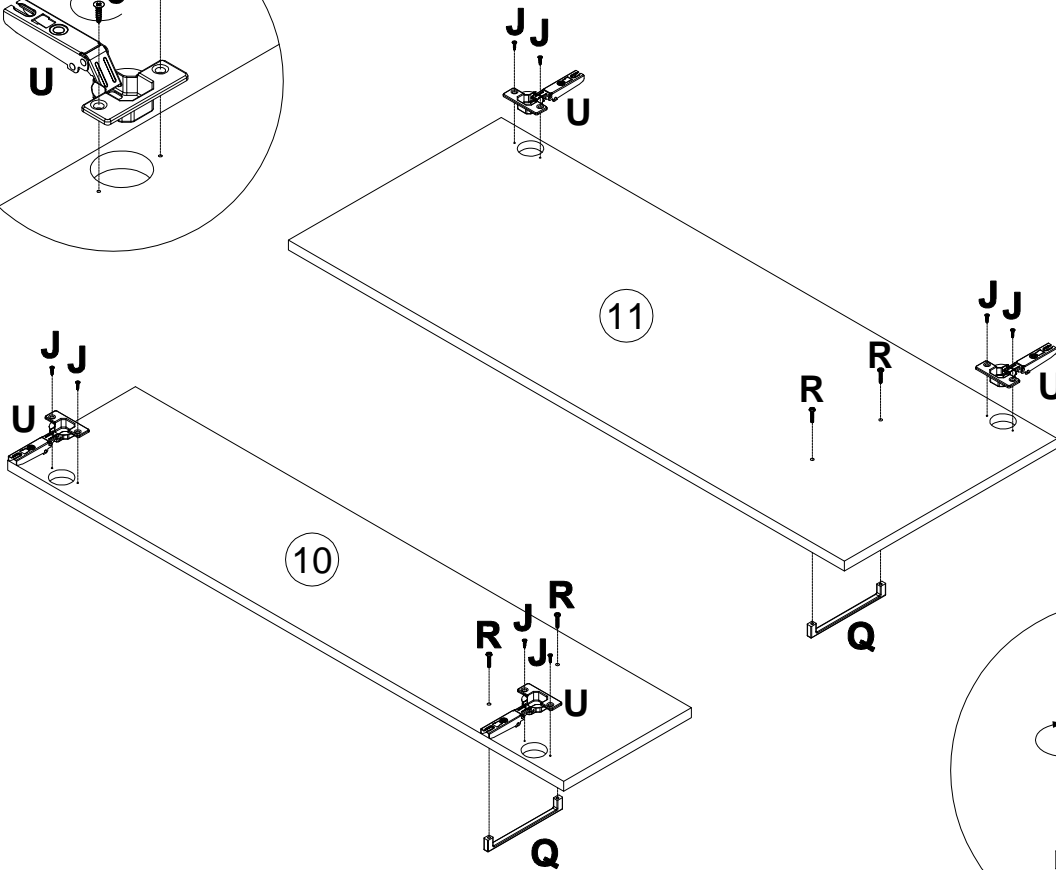
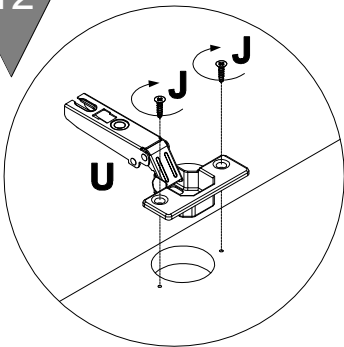
15x12



x8



12



234856 Q



x2

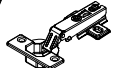
002704 P



M4x20

x4

168982 U



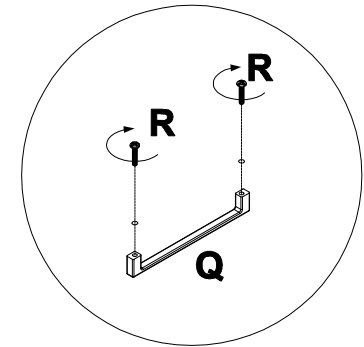
x4

010942 J

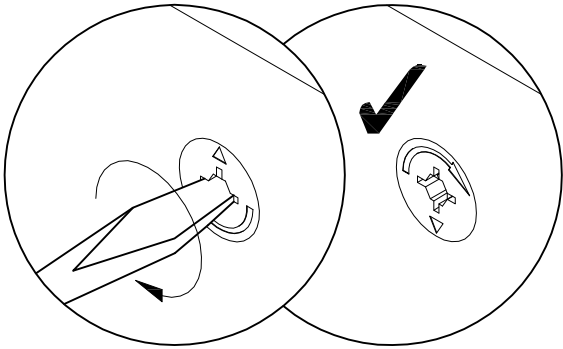
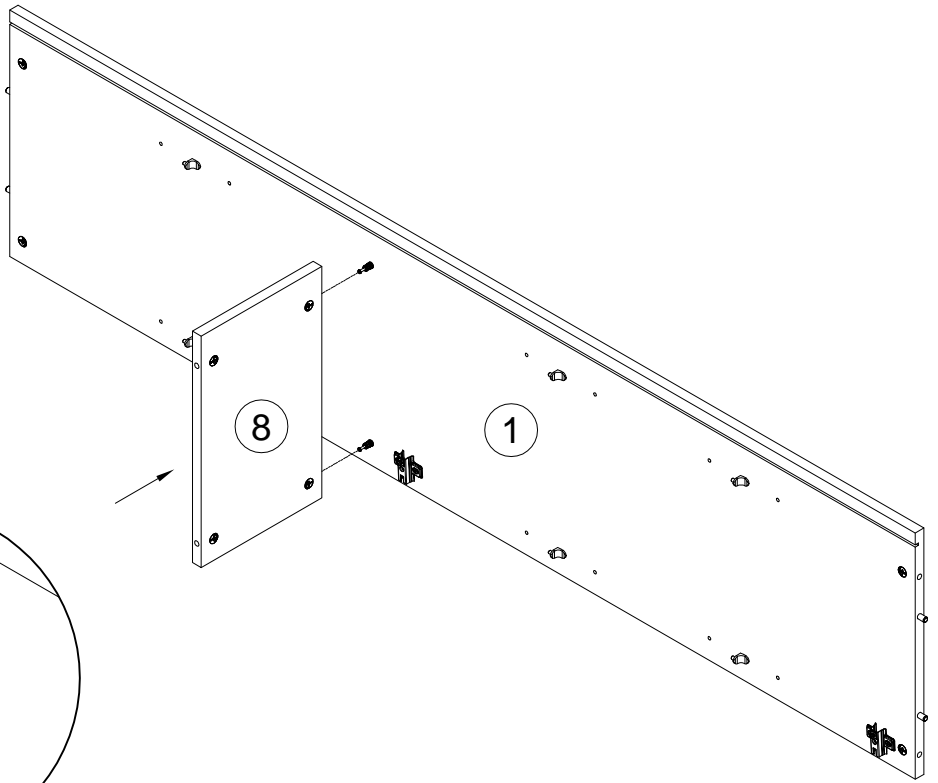


4x16

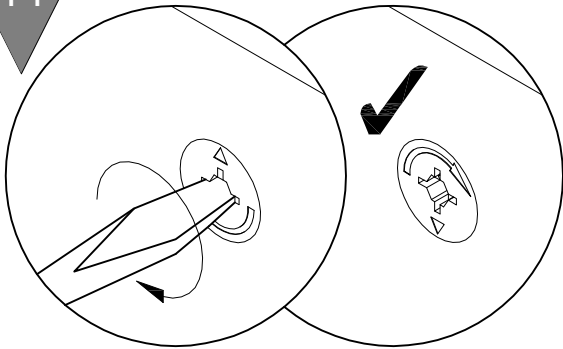
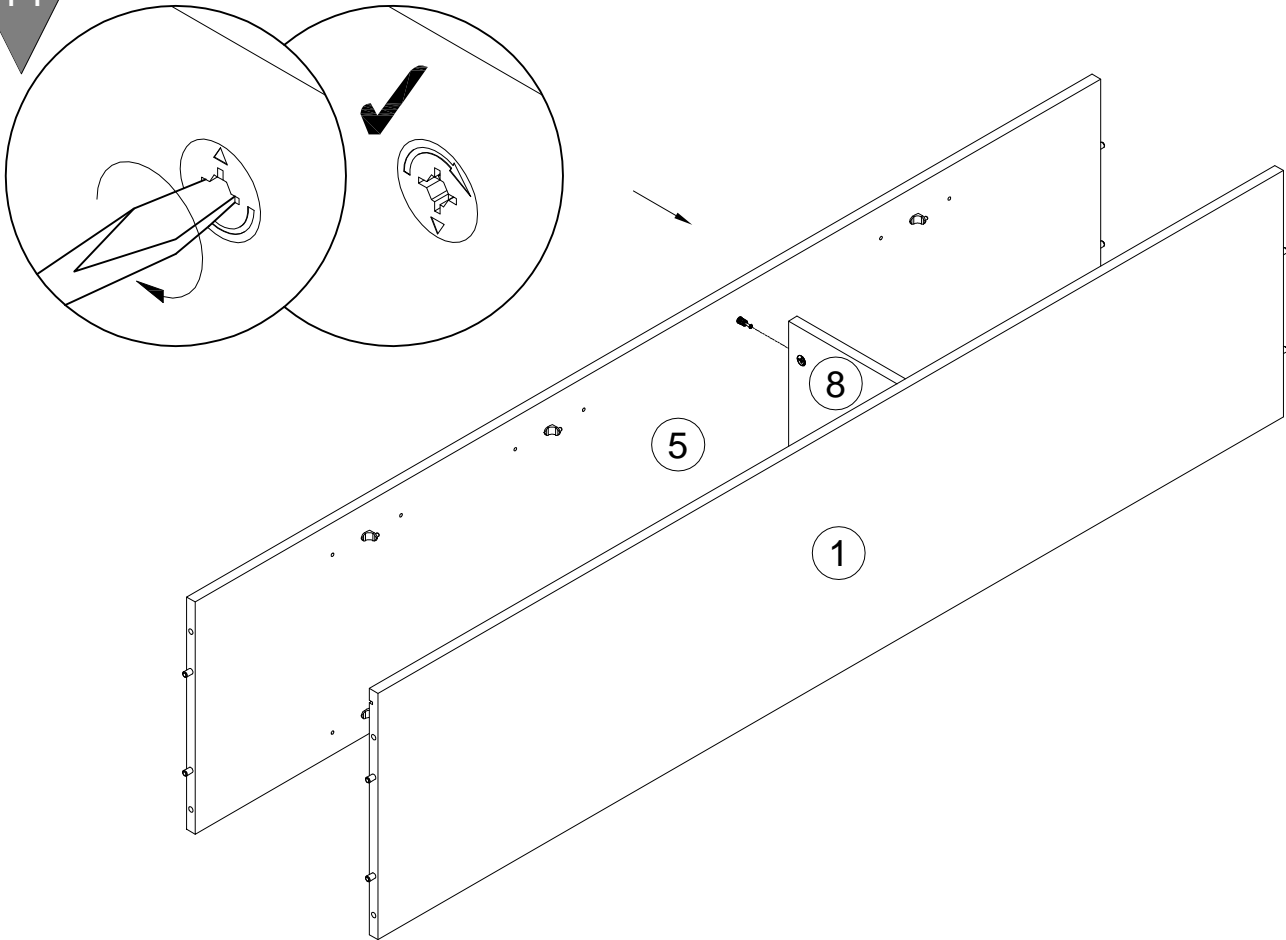
x8



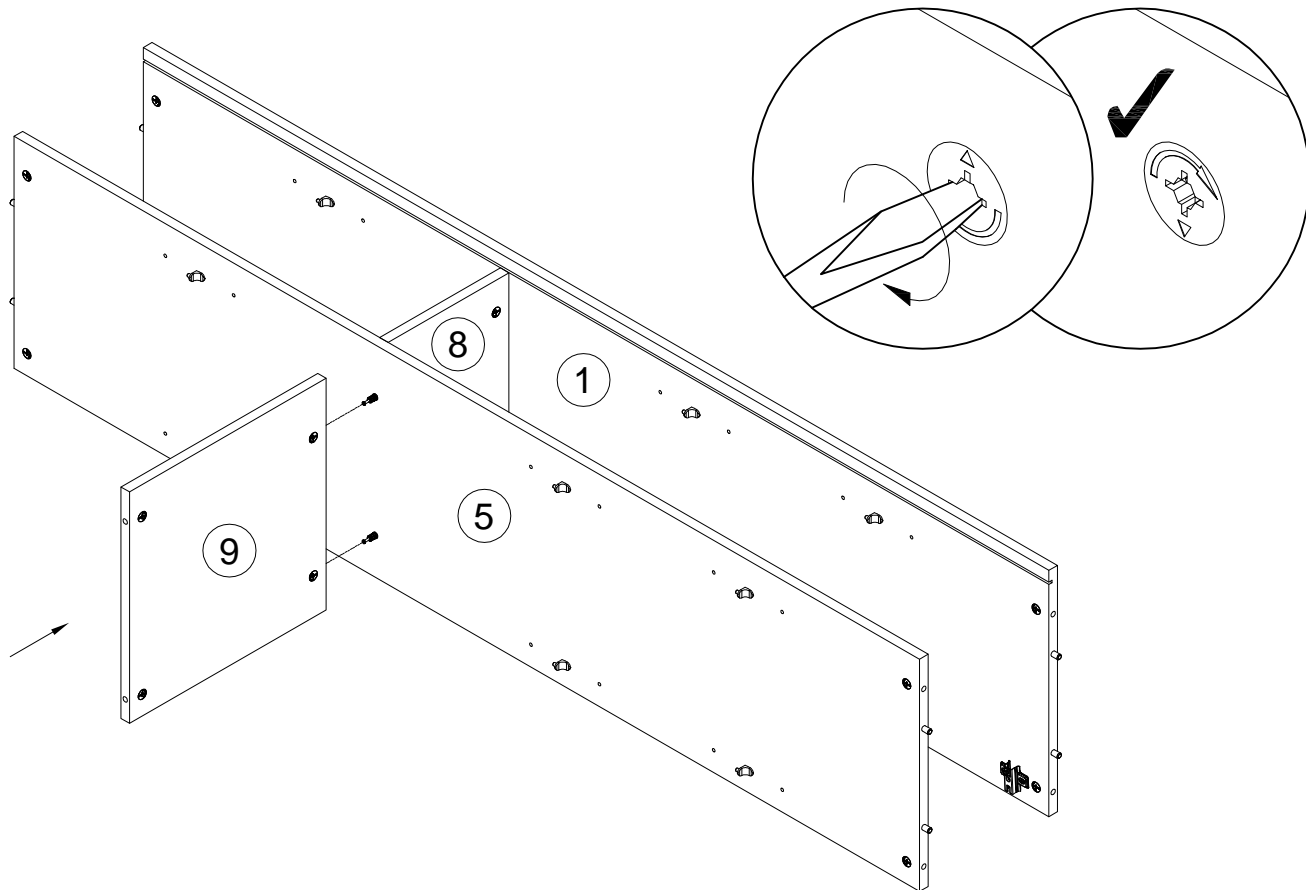
13



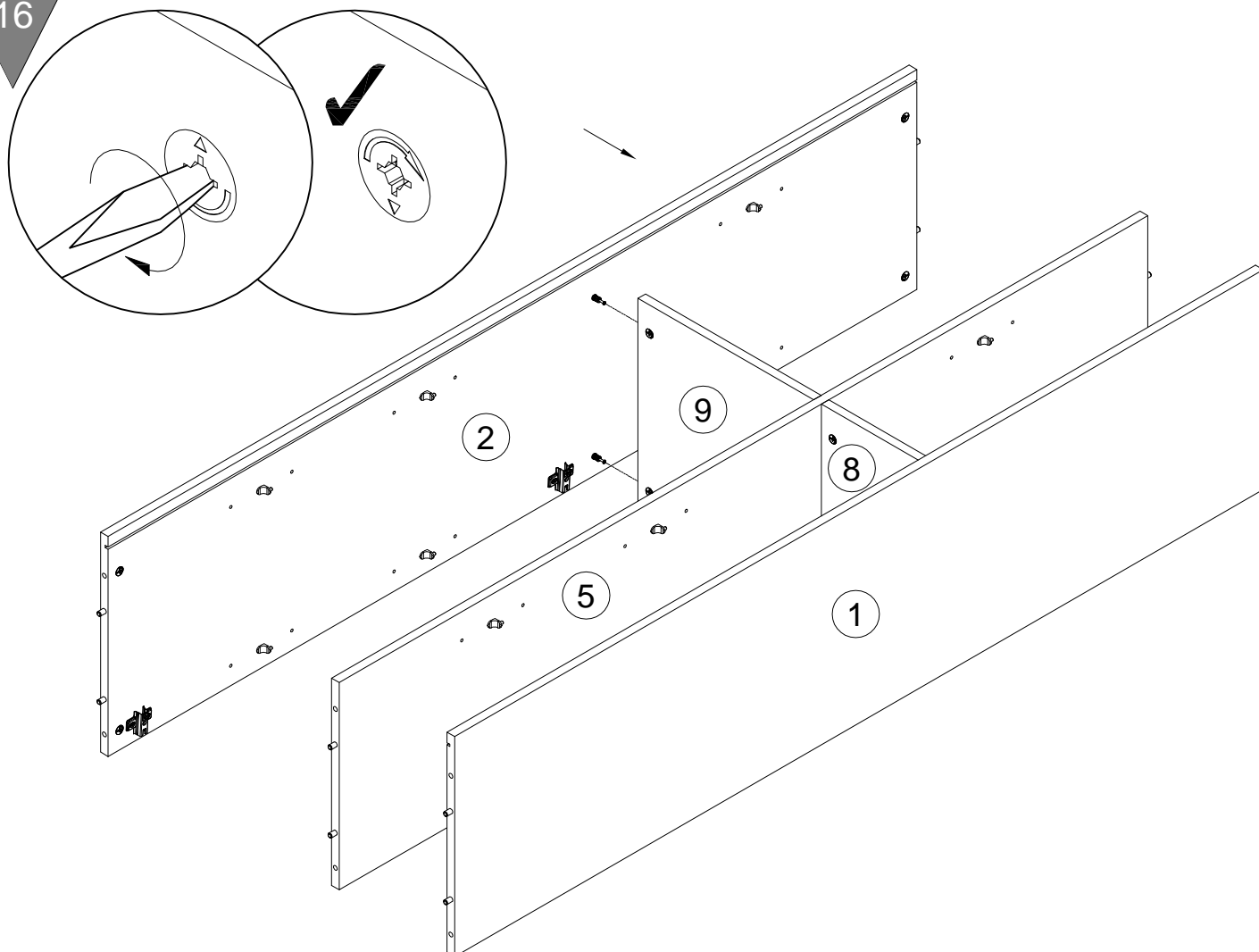
14

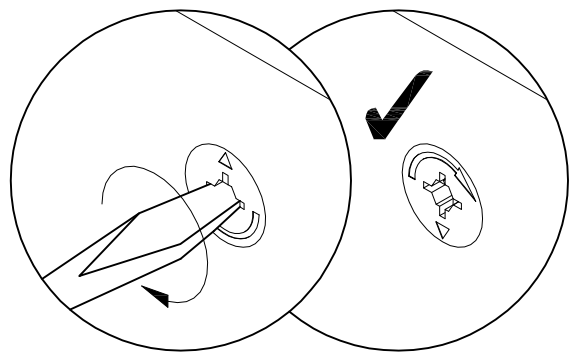
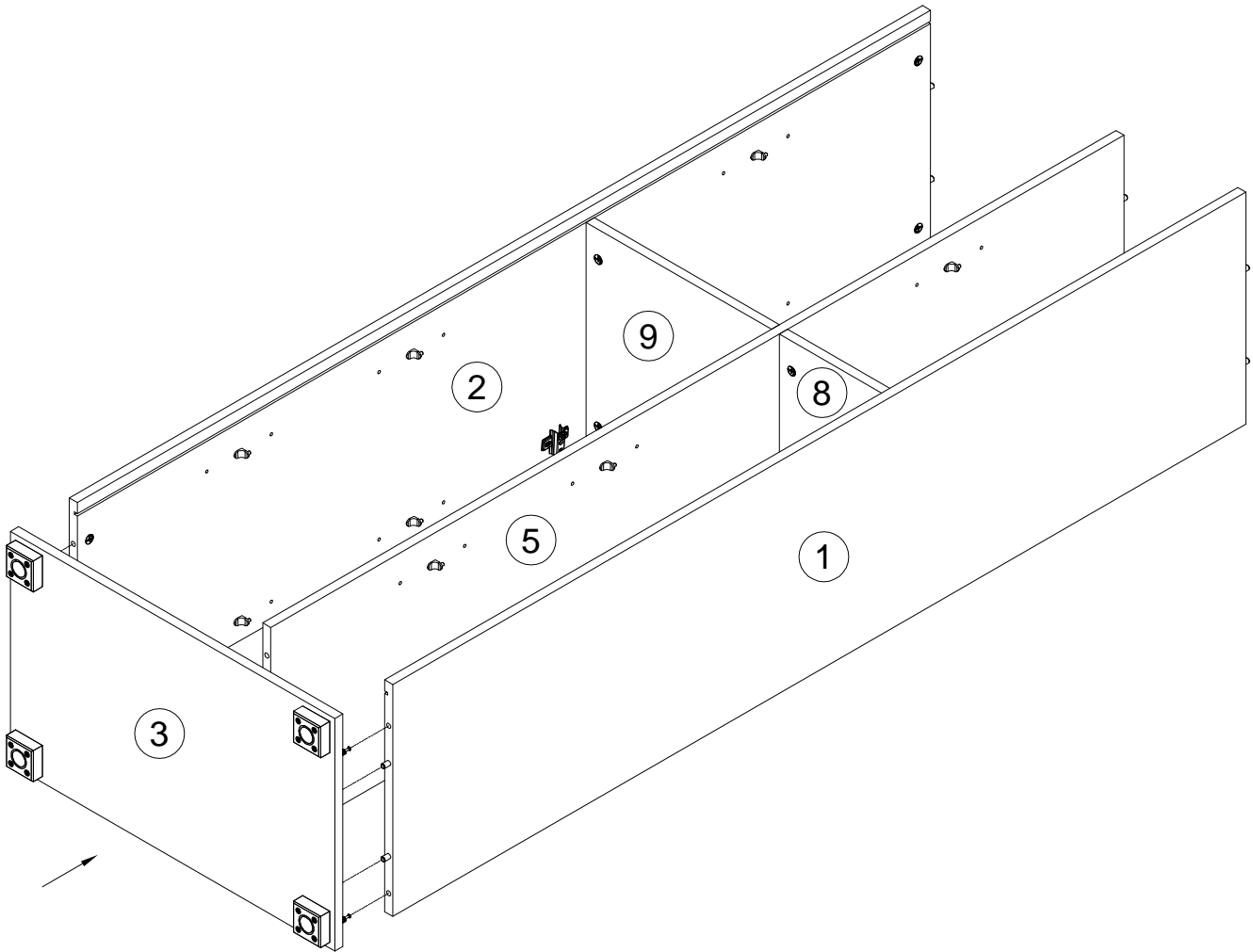


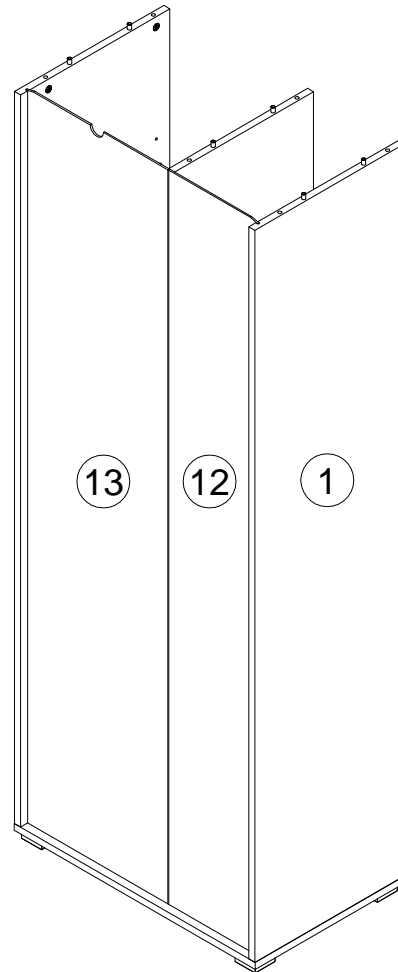
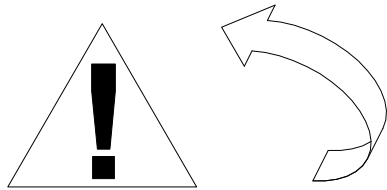
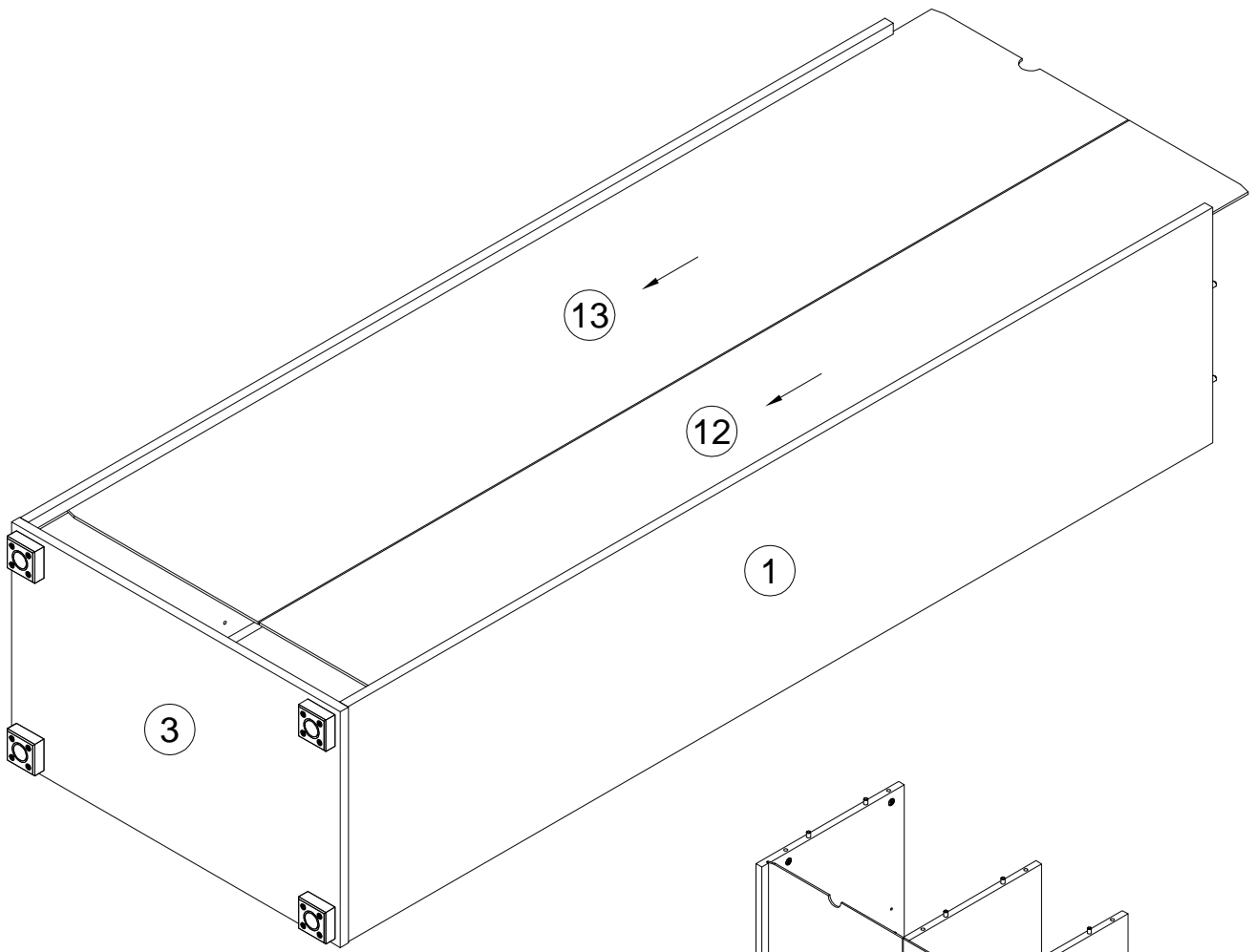
15

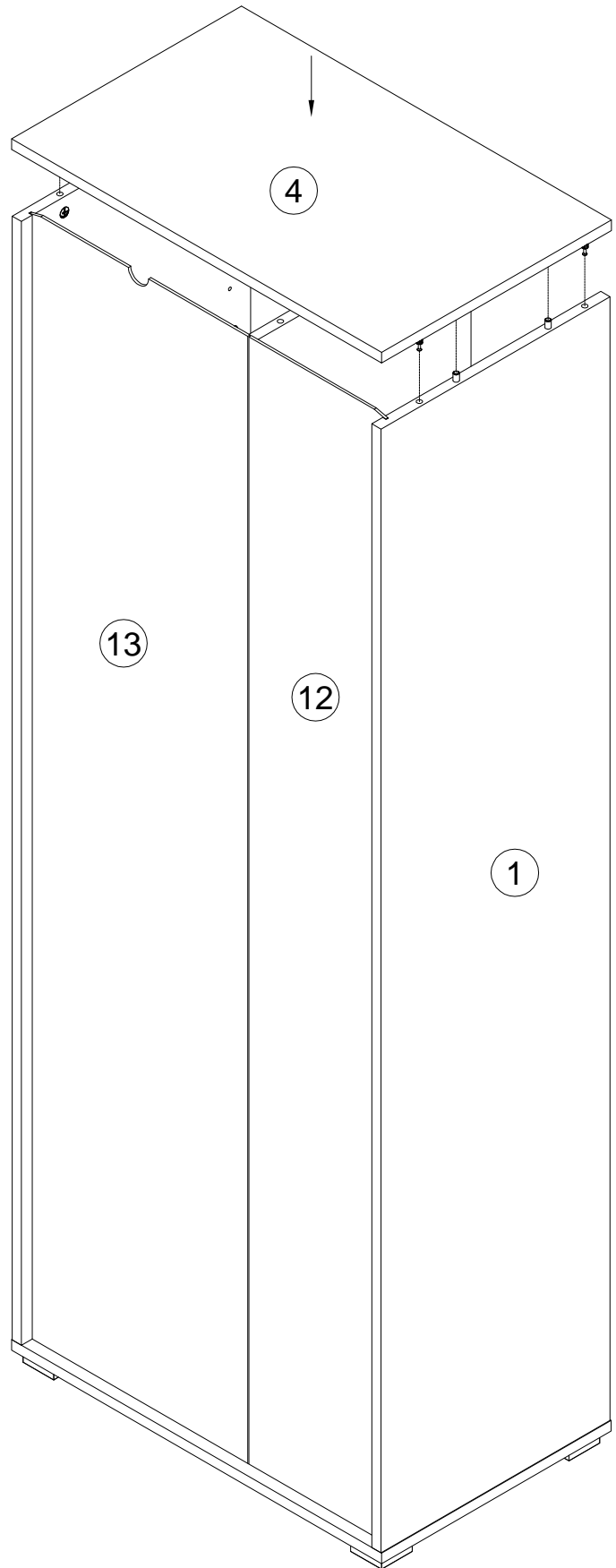
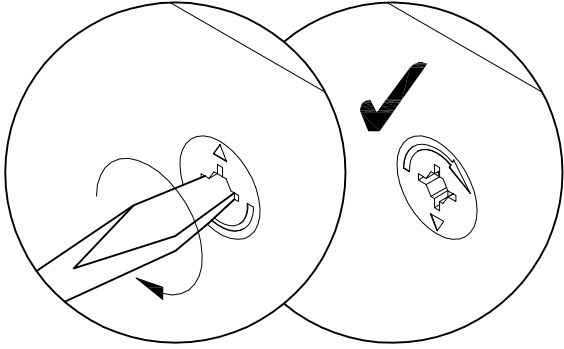


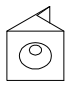
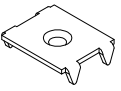

16



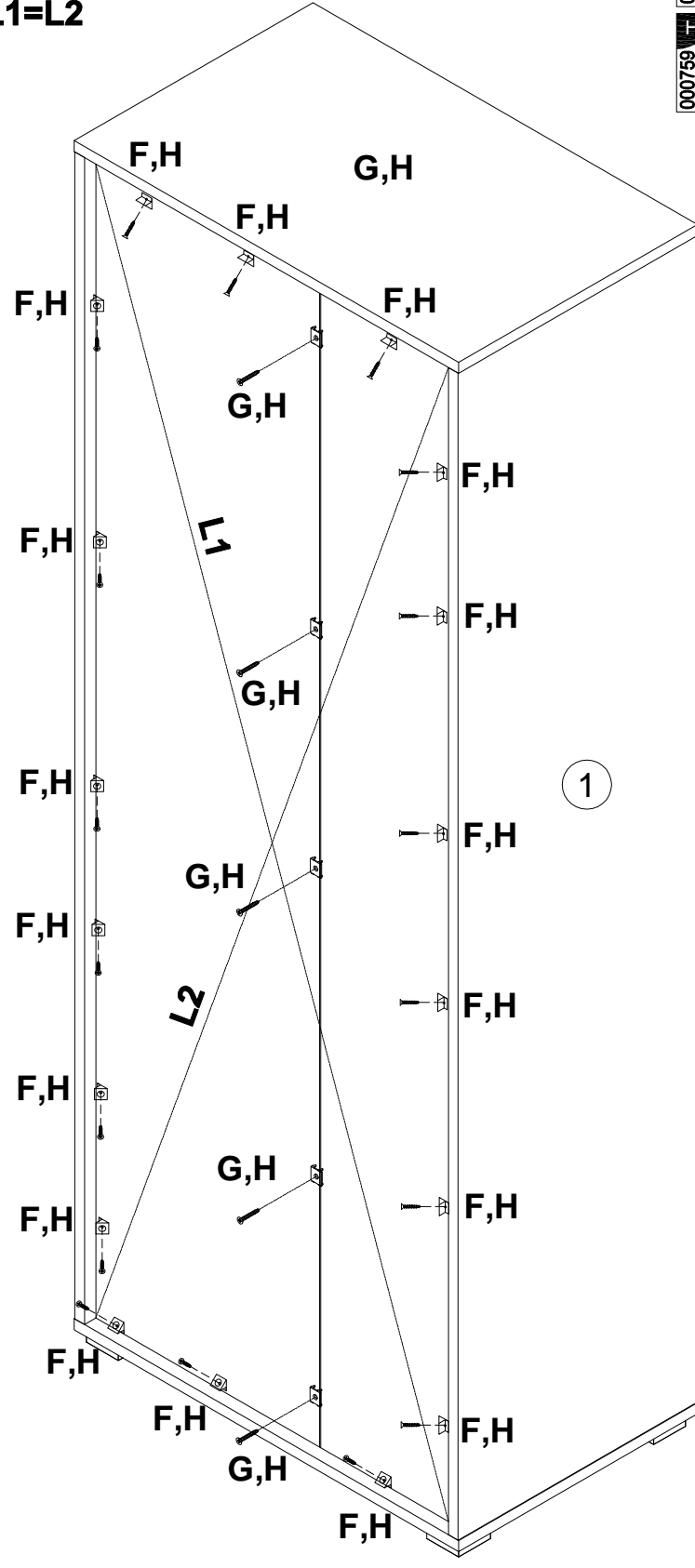


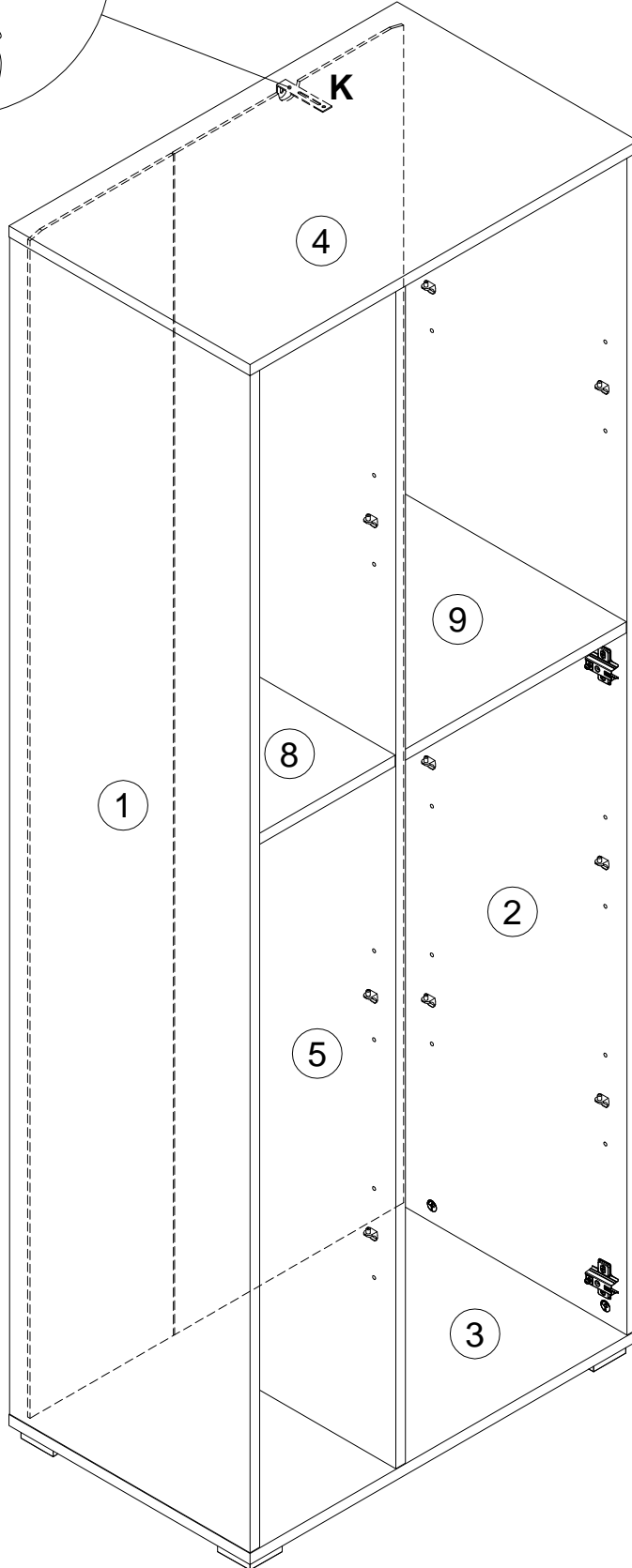
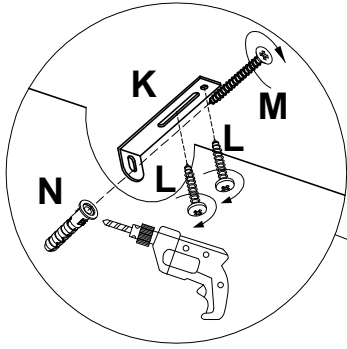


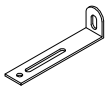





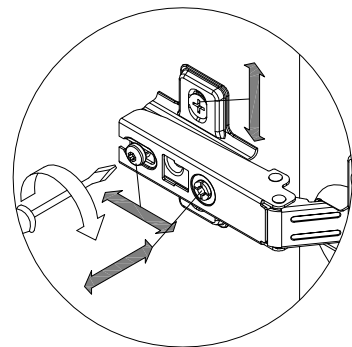
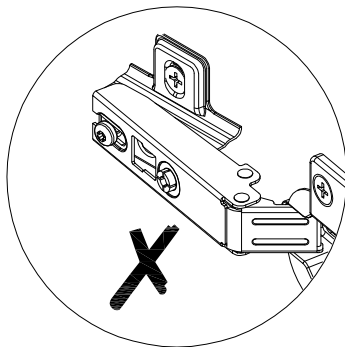
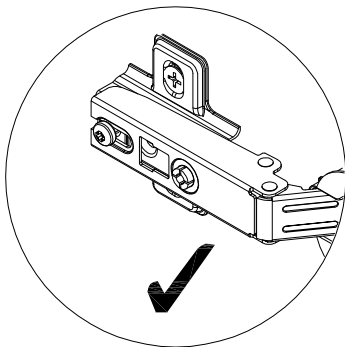
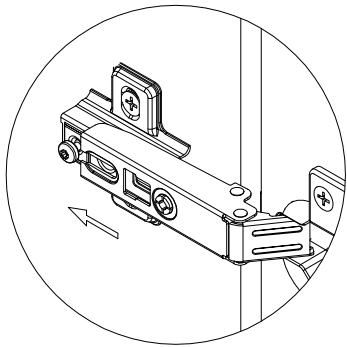
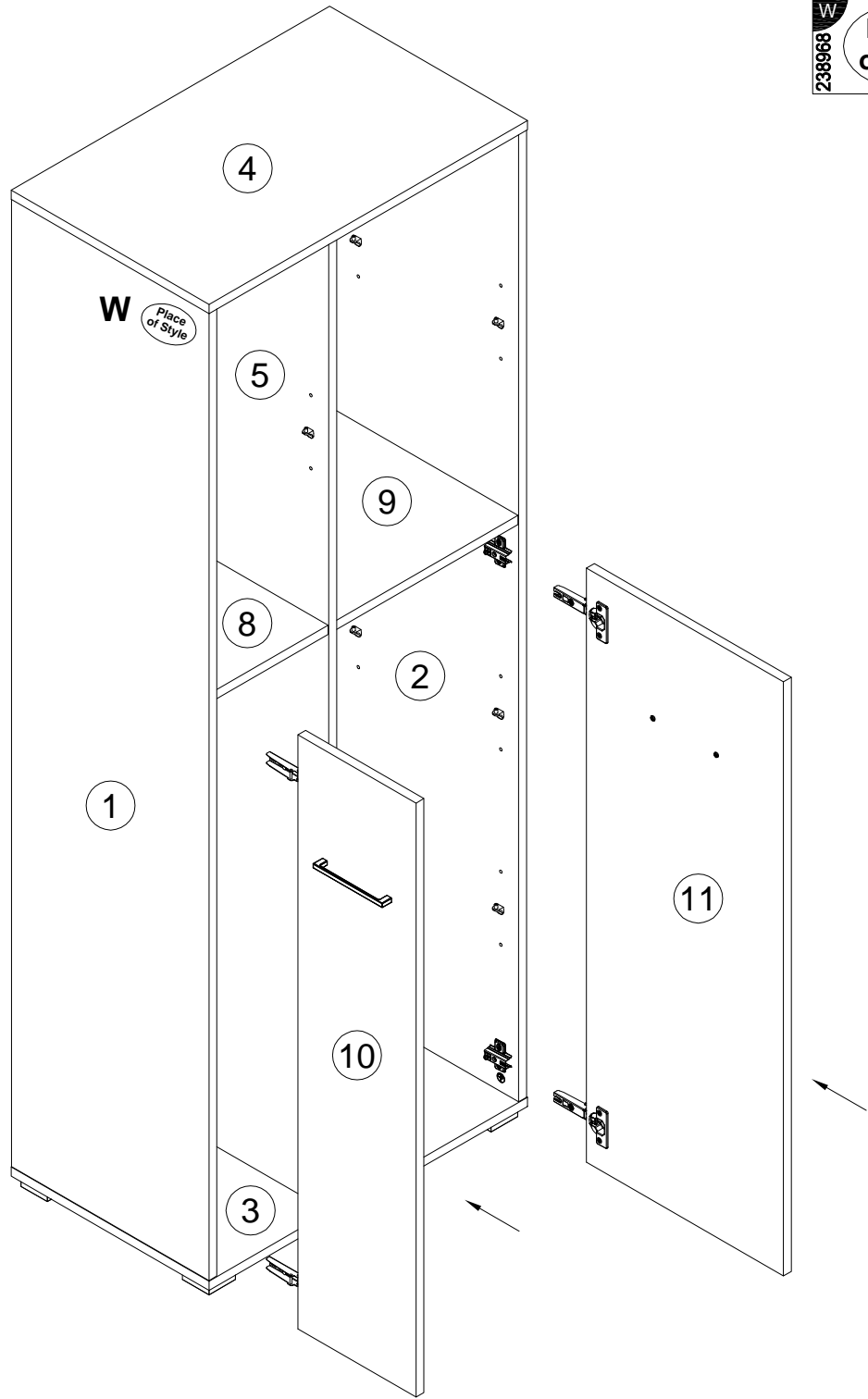
F		x18
G		x5
H		3x20 x23

L1=L2

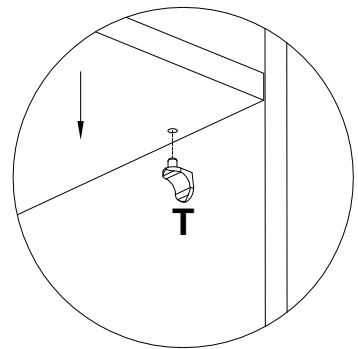
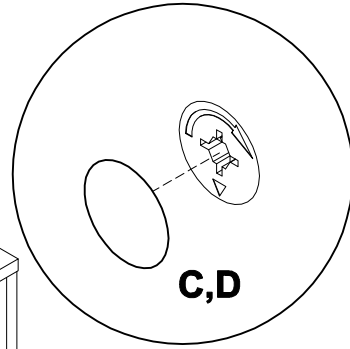
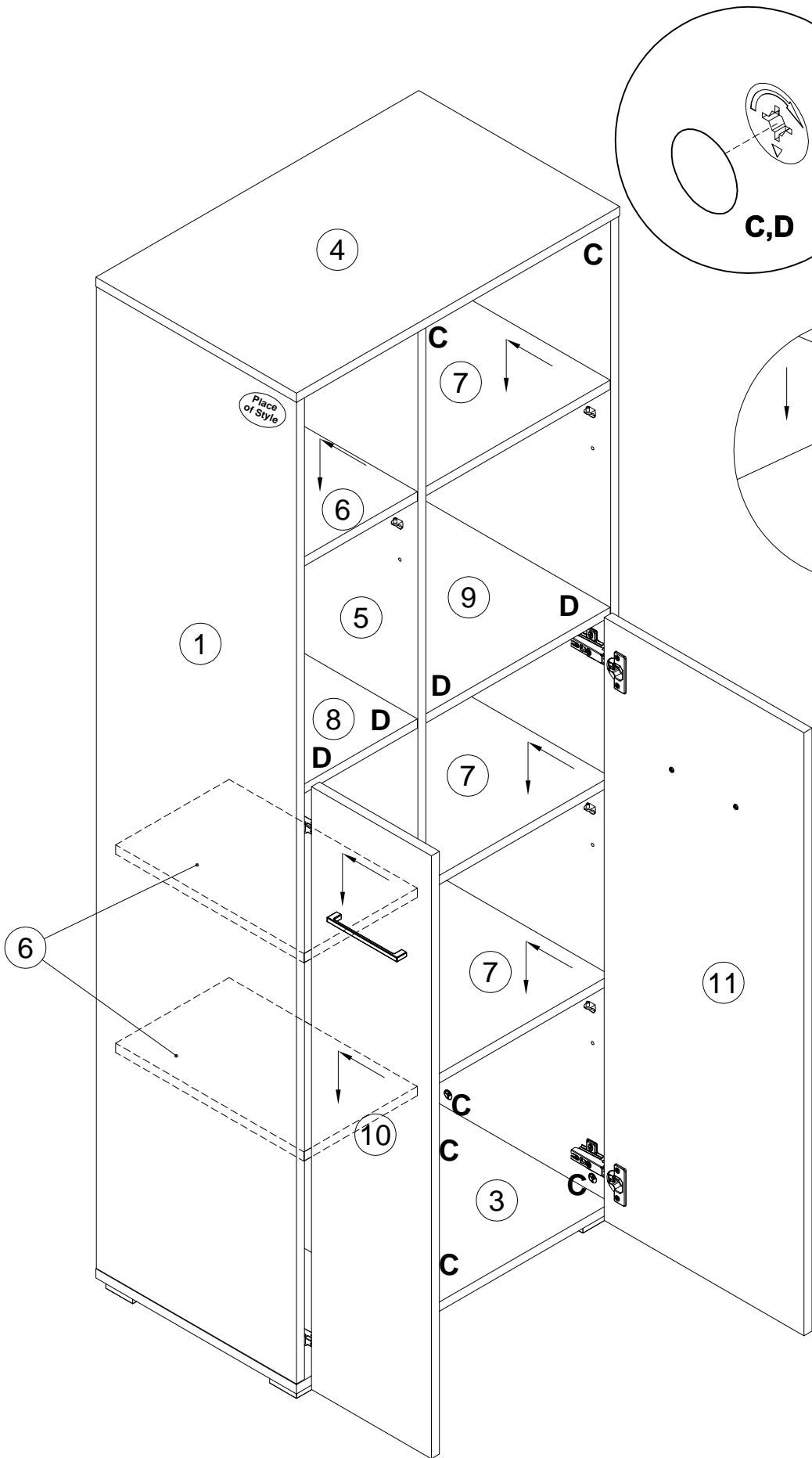


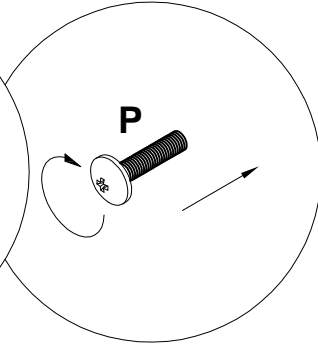
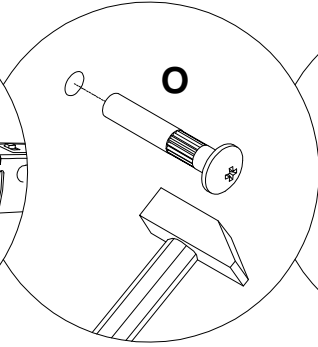
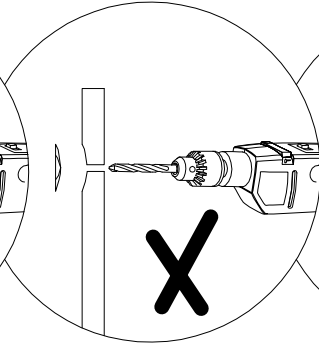
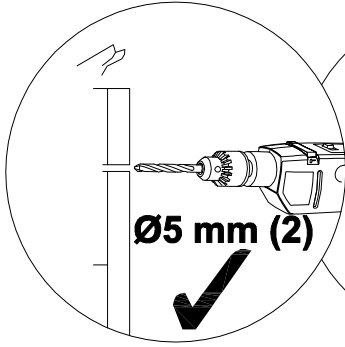


K 155999		x1
L 000754		3.5x16 x2
M 090185		4.5x45 x1
N 013659		8x40 x1



C	20x0.5
100640	x16
D	20x0.5
100640	x4





O	005145	M4x29	x2
P	000379	M4x16	x2

