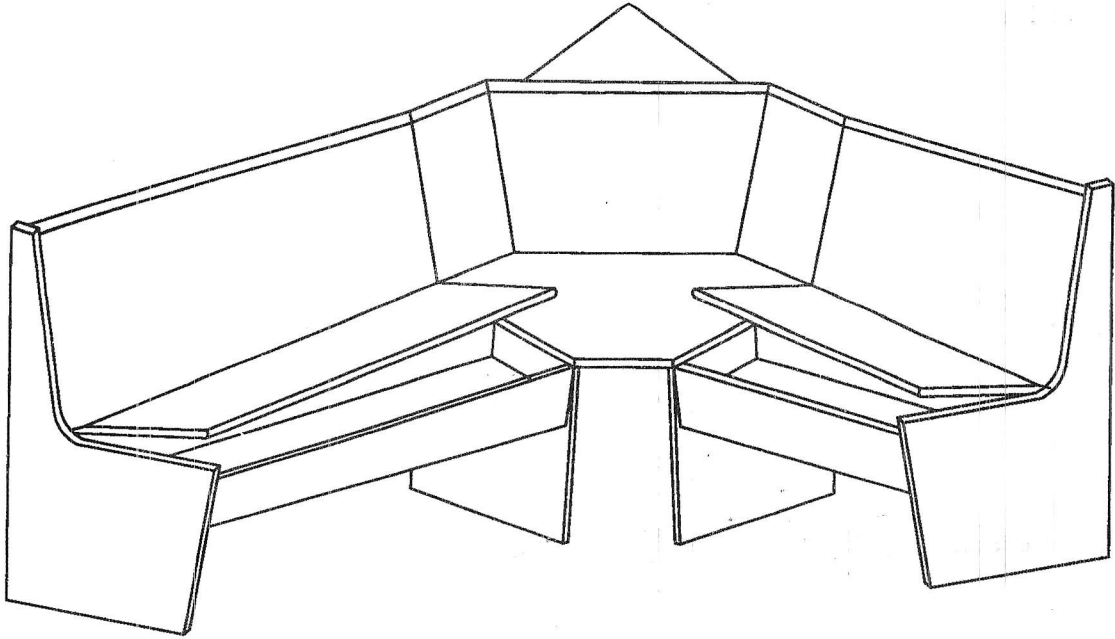
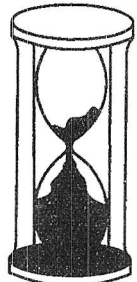

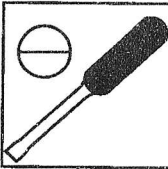

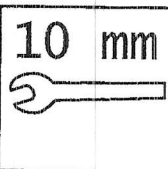


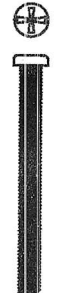











HAMBURG 3

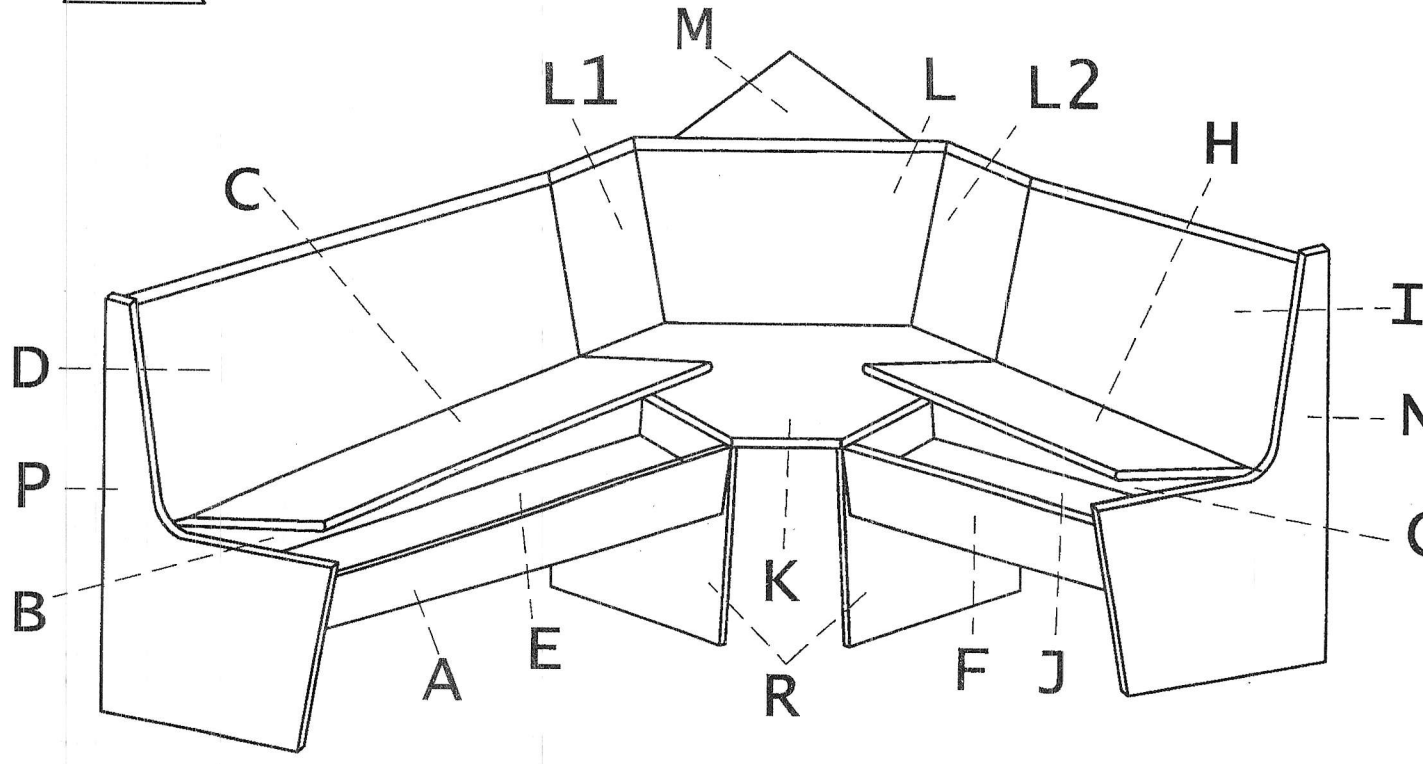


 60 MIN	 x2	  
---	--	---

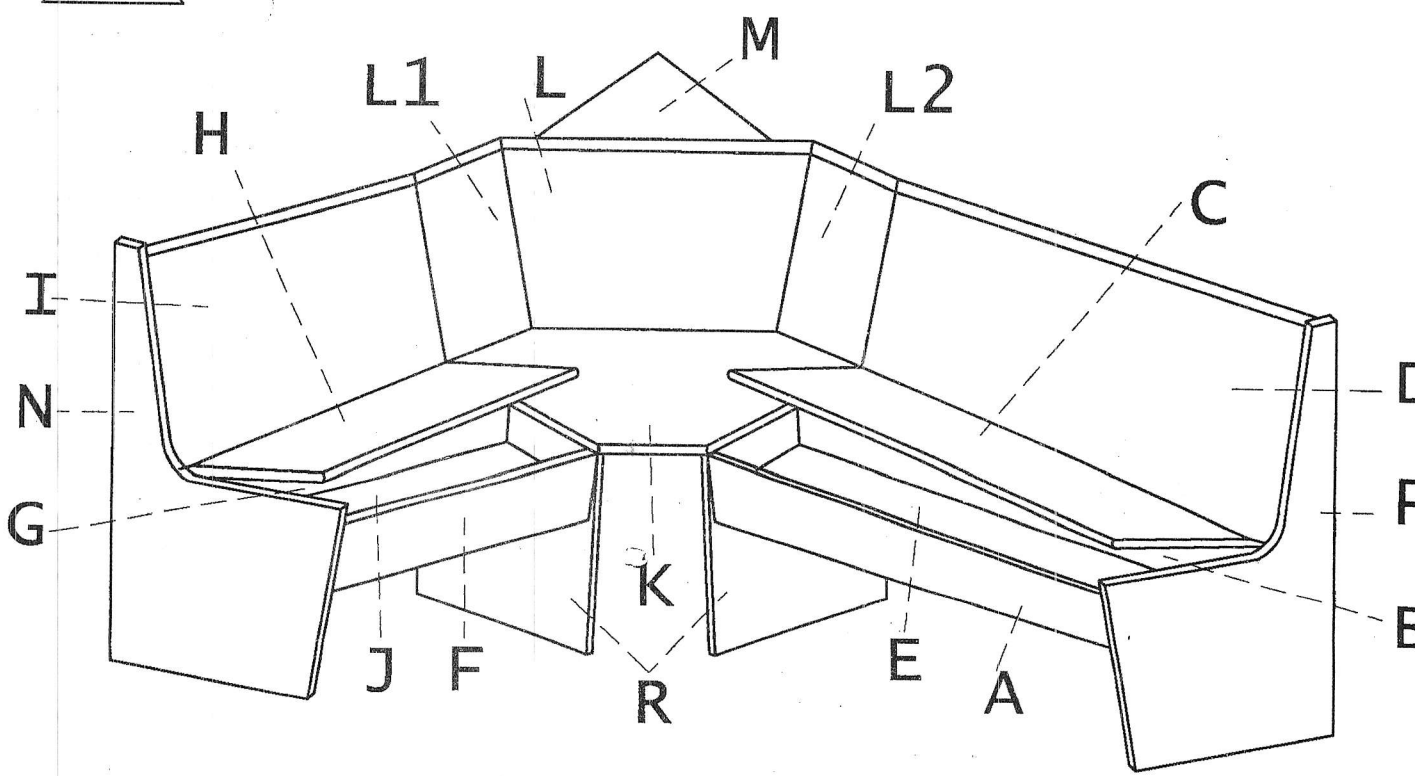
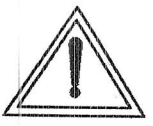
2	② 4	③ 8	④ 4	⑤ 2	⑥ 4	⑦ 2	⑧ 1	⑨ 1	⑩ 4	⑪ 44	⑫ 16
x35	M6x50	M6x80	Ø4.5x18	25x25	M6x70	Ø3.5x30		60x60	Ø3.5x16	Ø6	M6
											



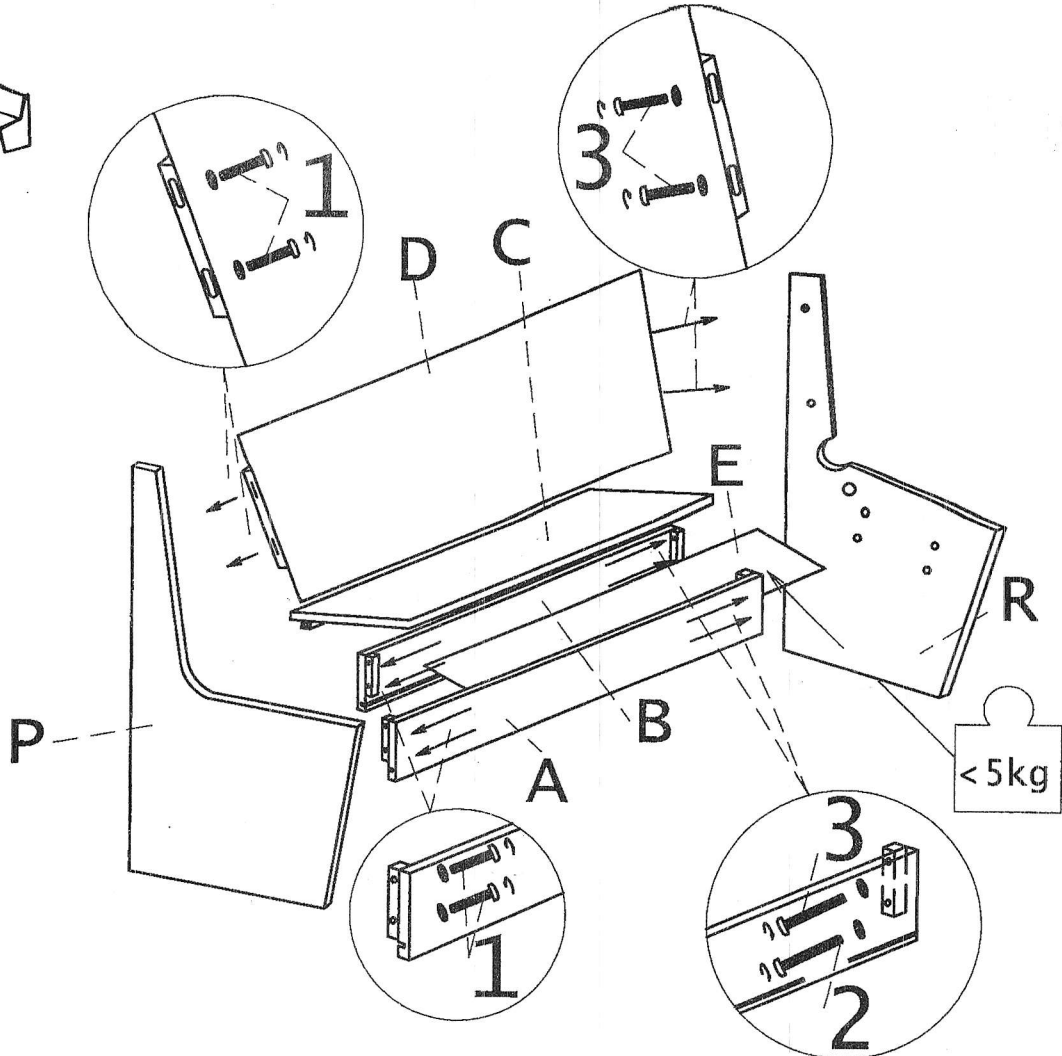
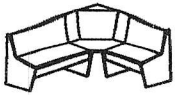
L



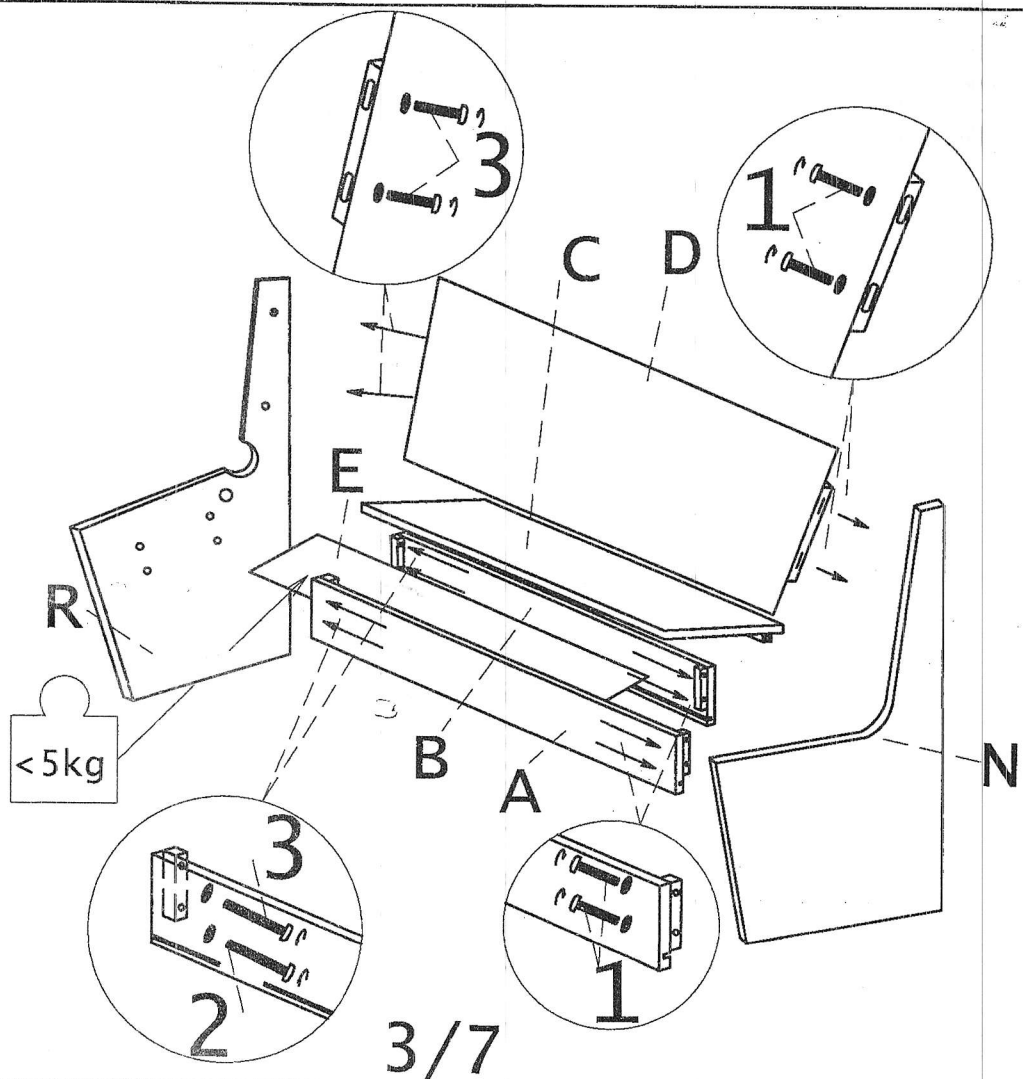
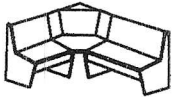
R



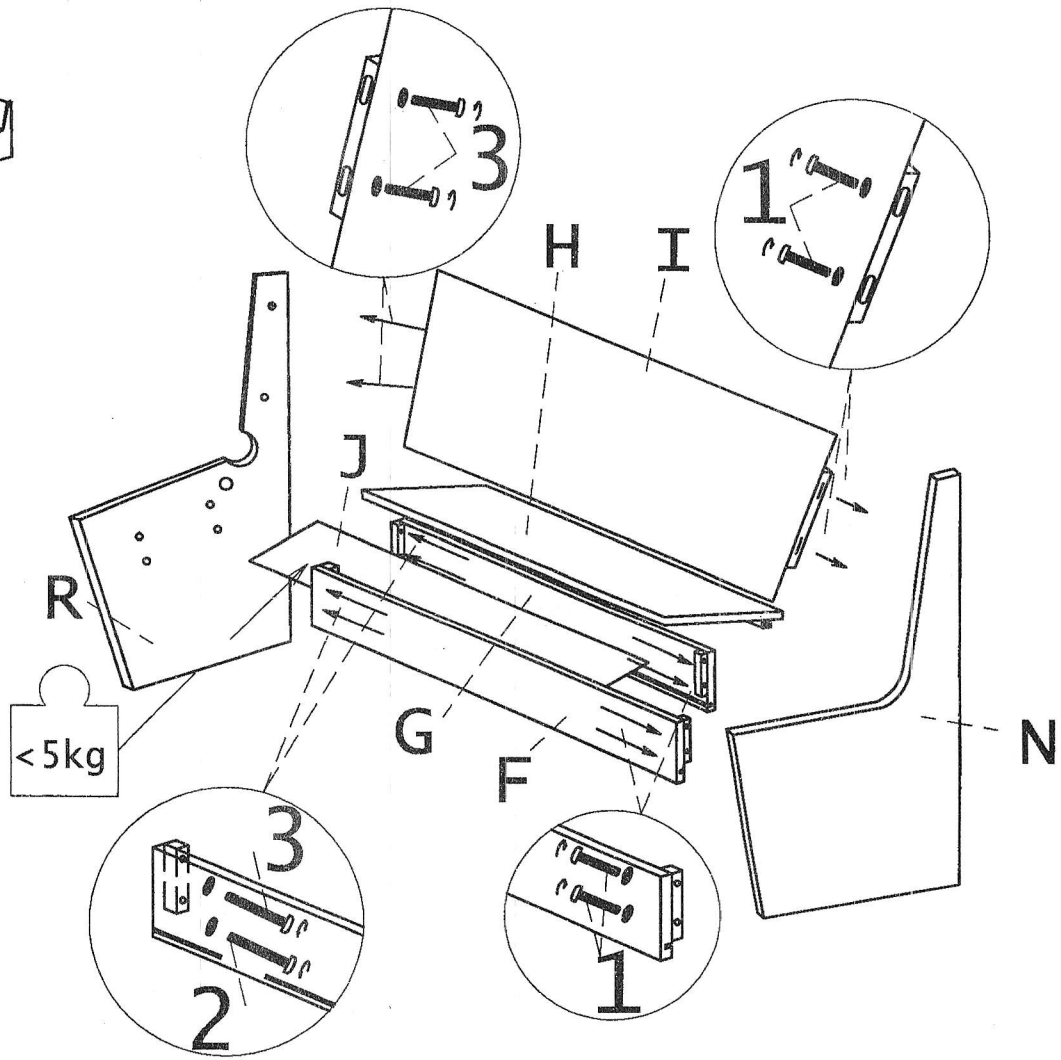
Ⓡ L



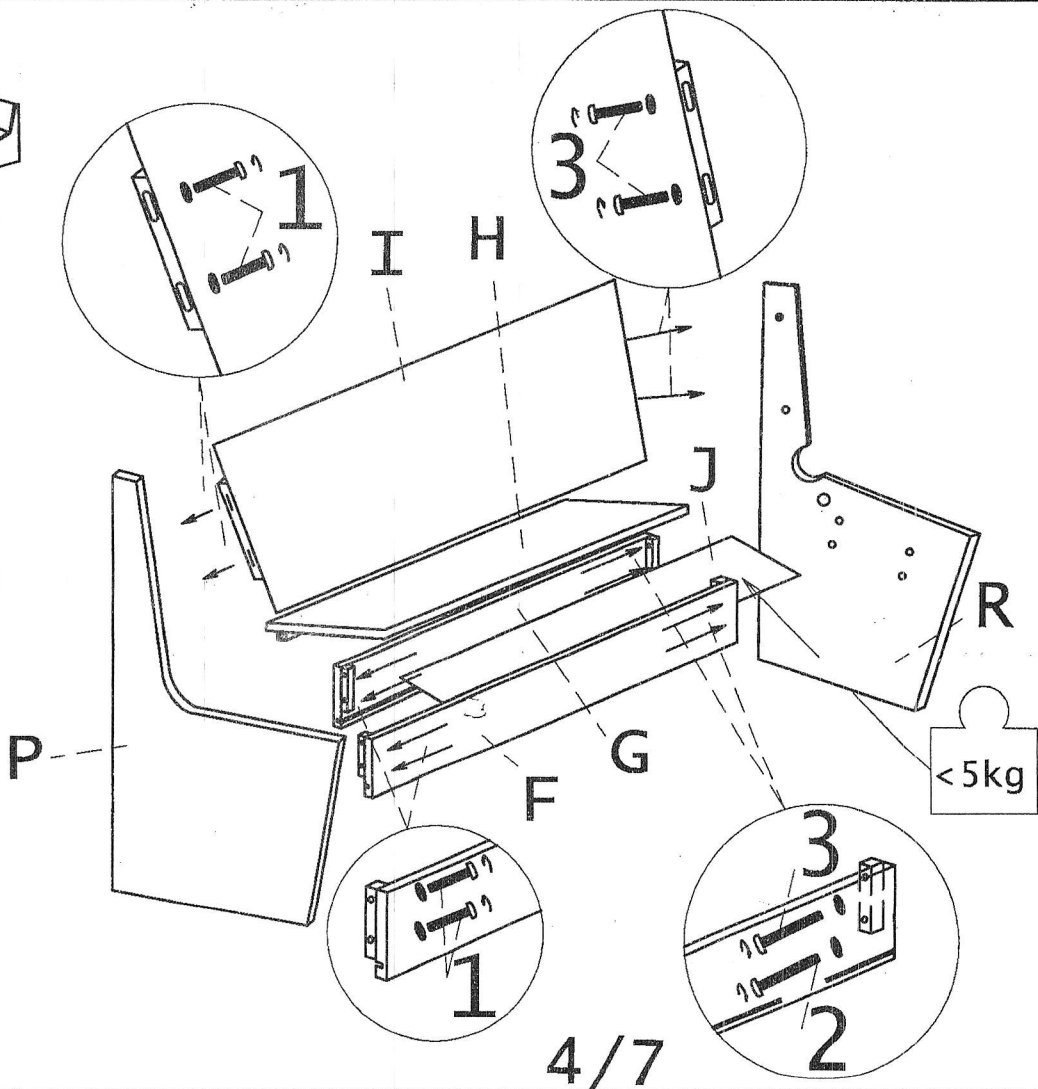
Ⓡ R



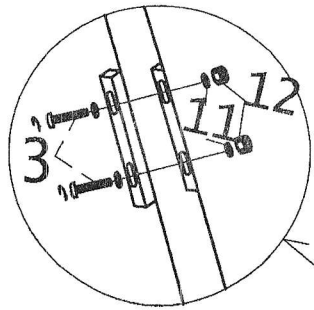
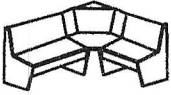
II L



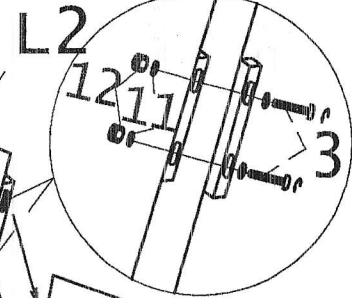
II R



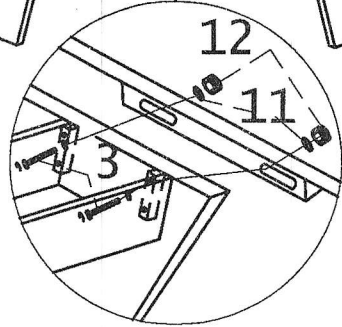
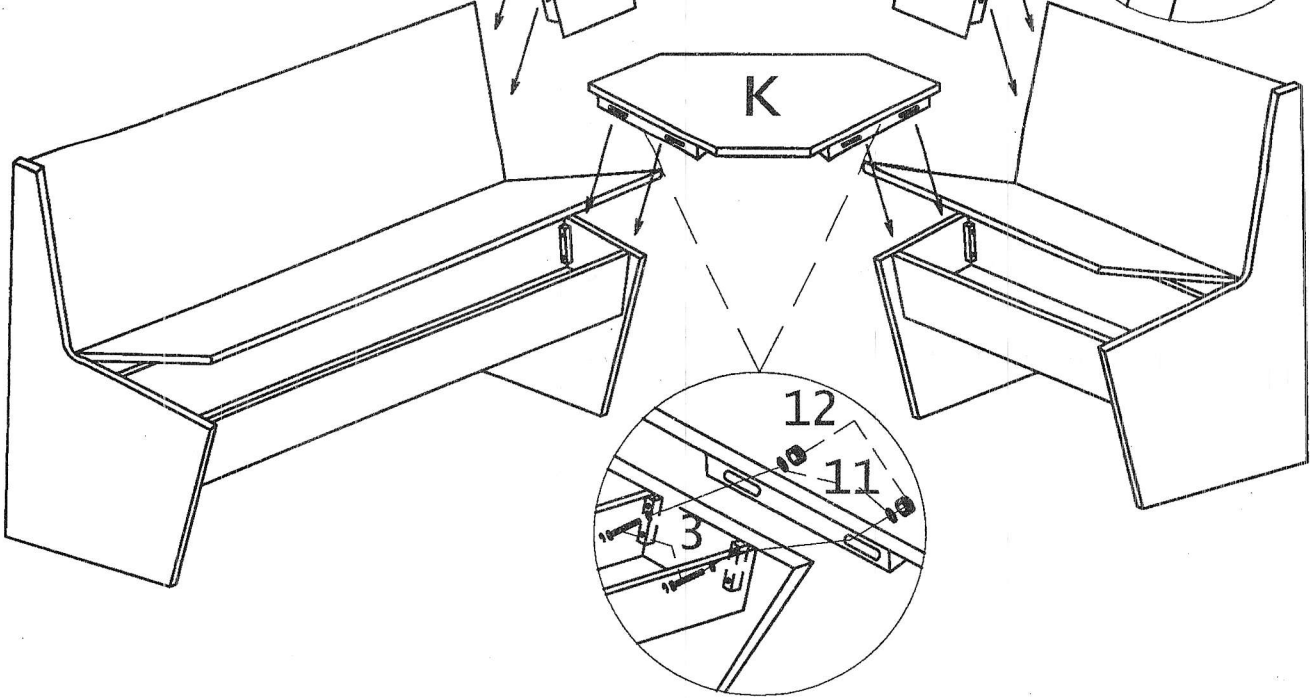
III L



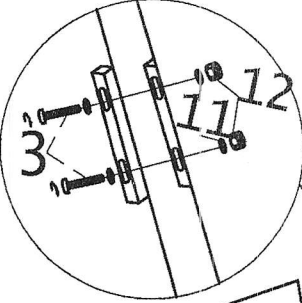
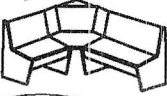
L1



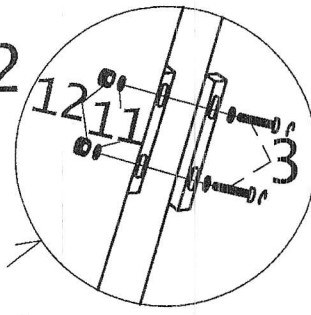
L2



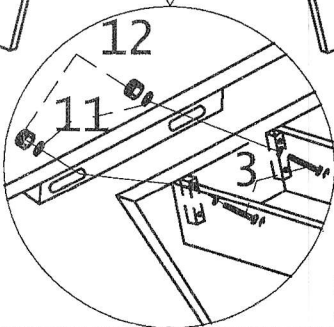
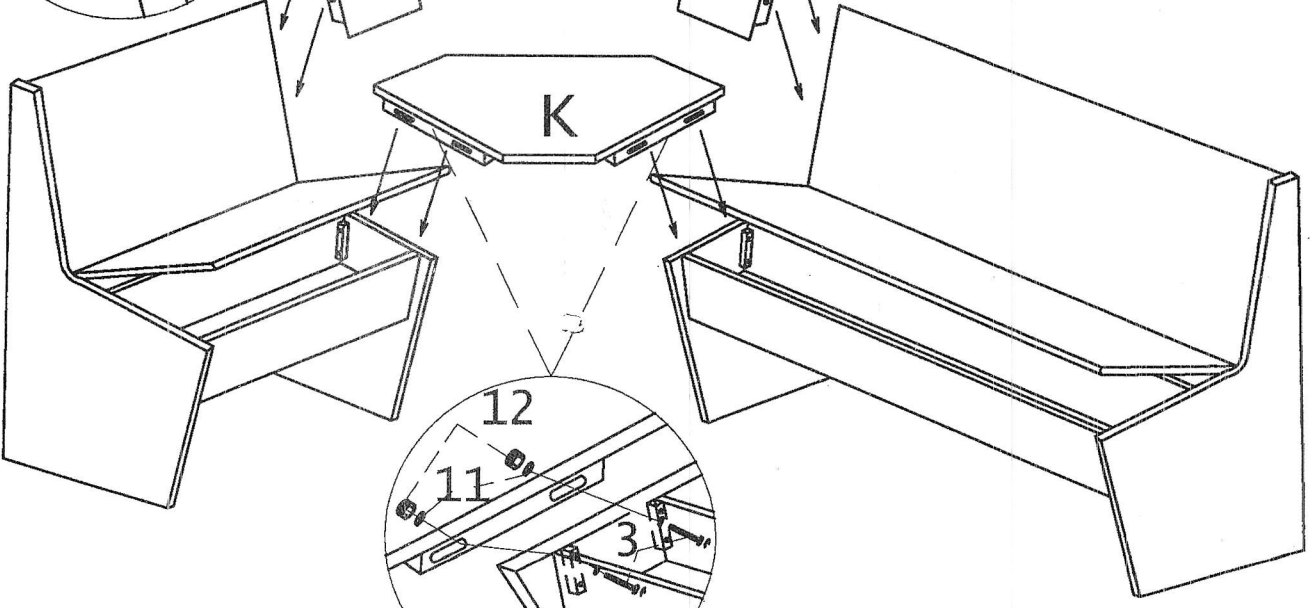
III R



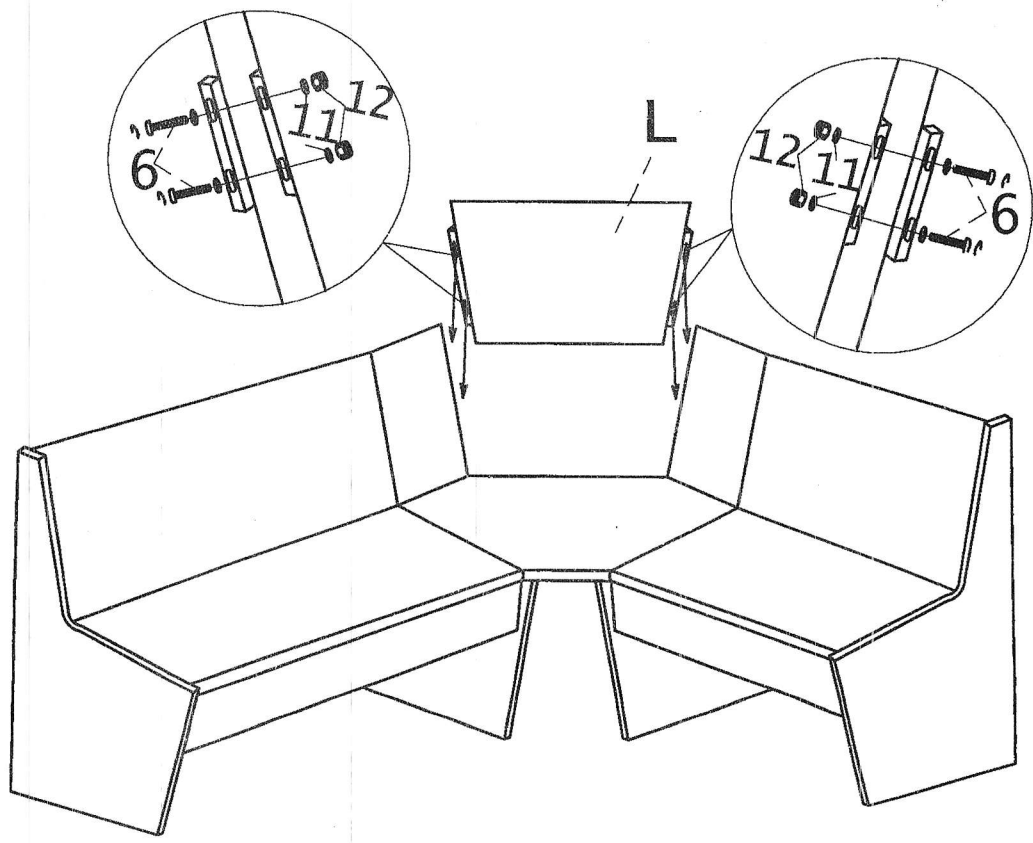
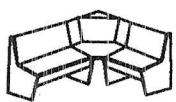
L1



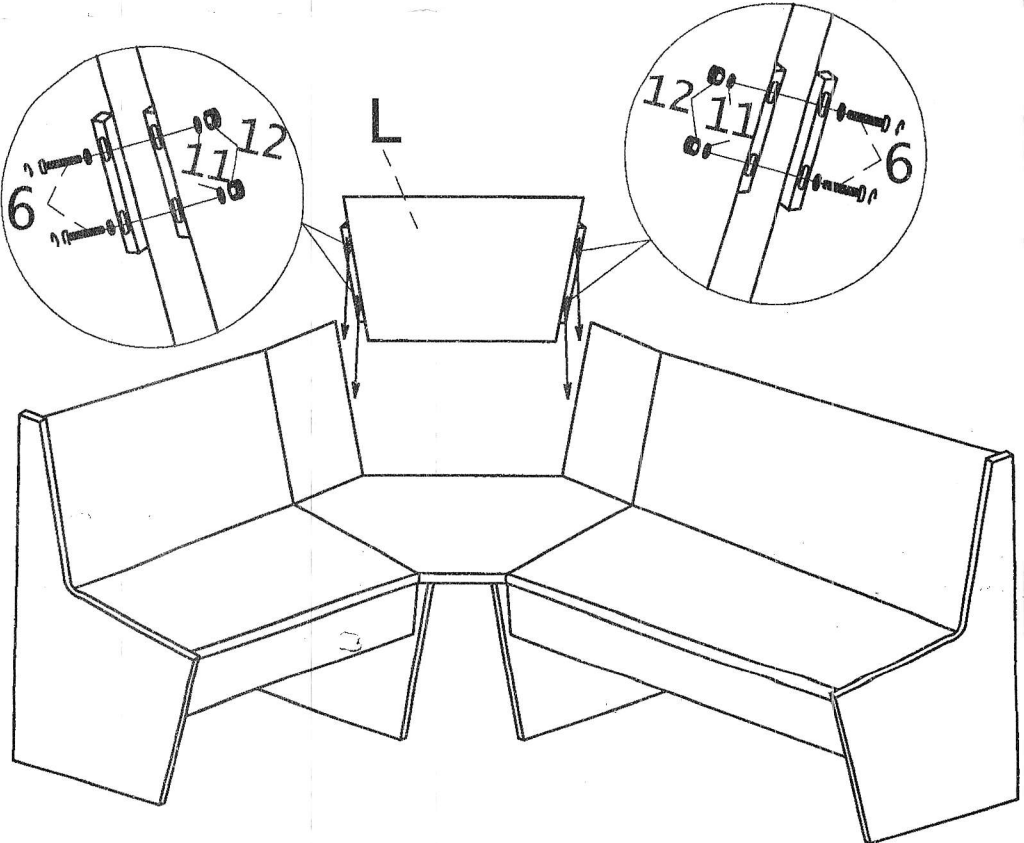
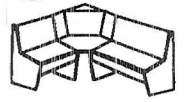
L2



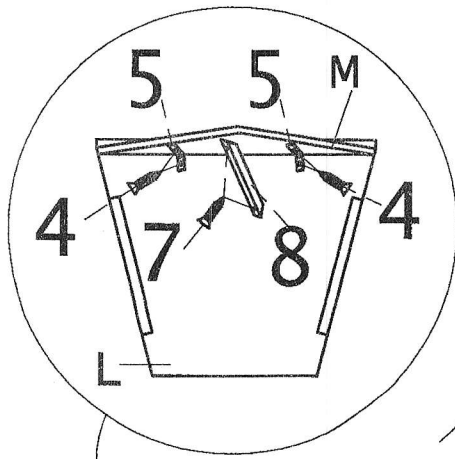
IV L



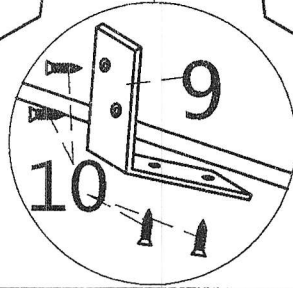
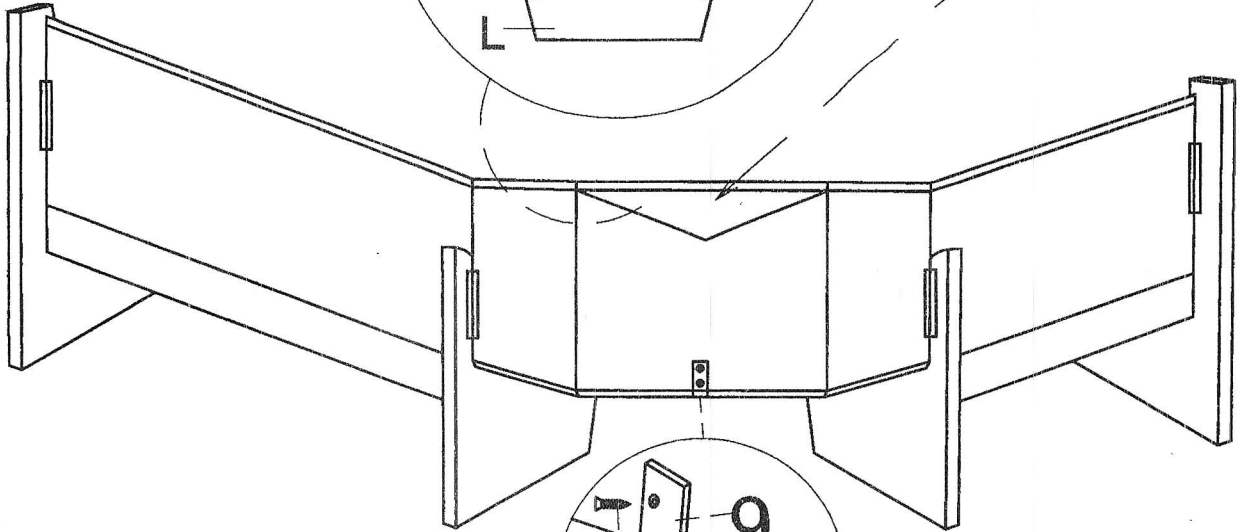
IV R



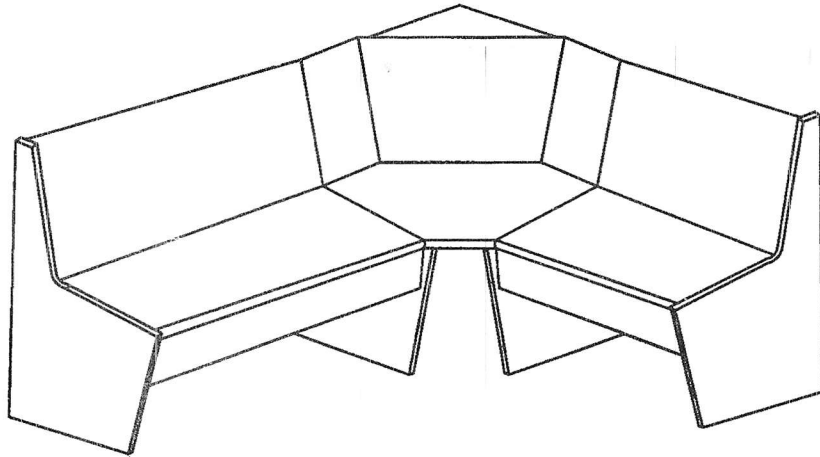
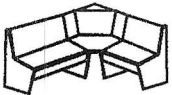
V



<2kg



VI L



VI R

