

Extractor Hob 600mm Width - Installation Dimension & Hole Size

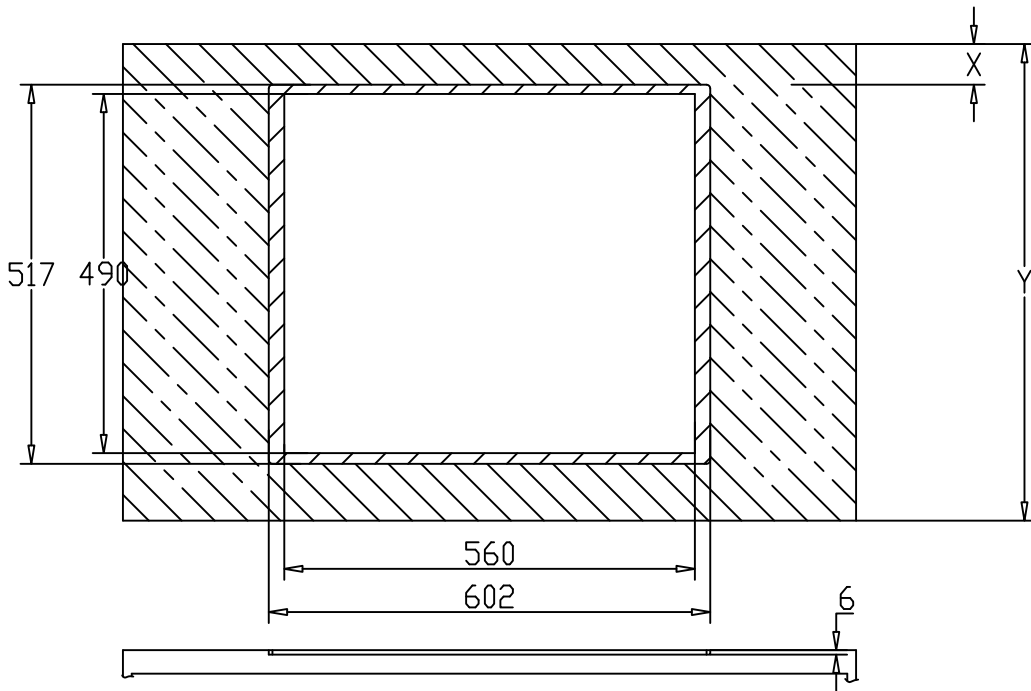
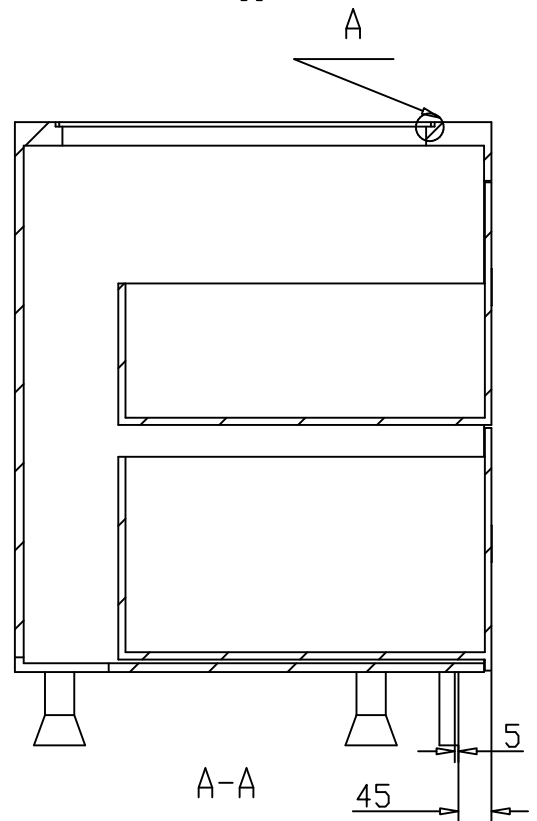
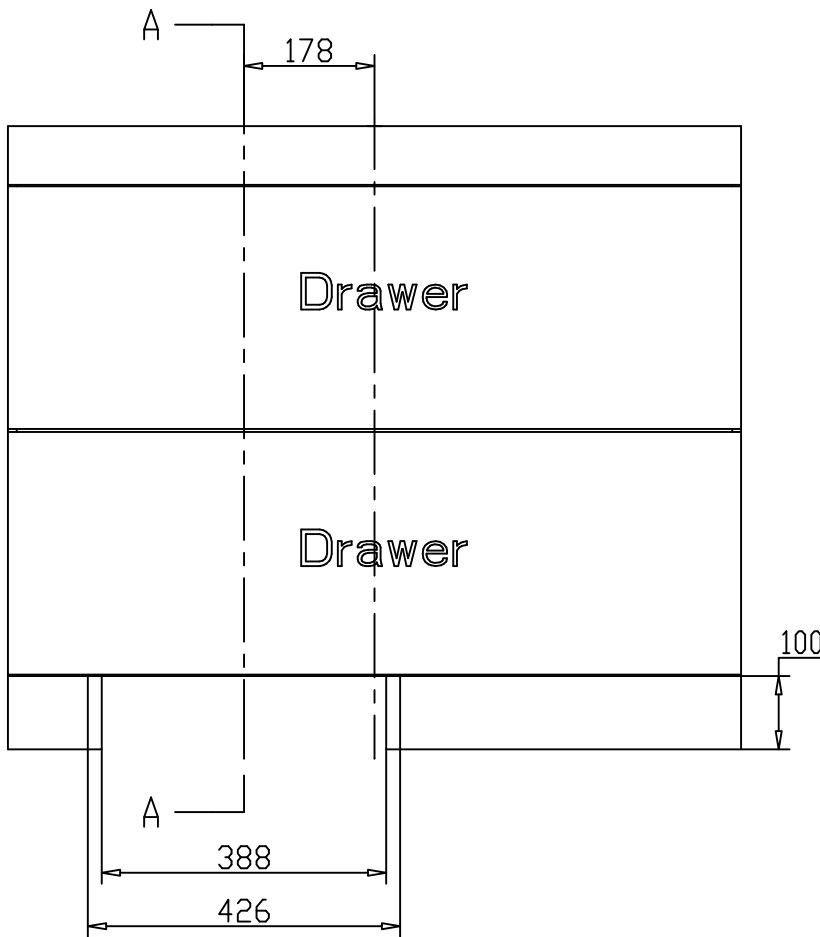
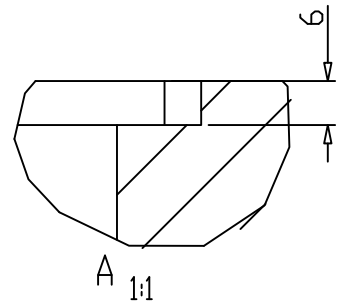


Table depth (Y)	X
600-650mm	54mm
≥650mm	65mm



Extractor Hob 830mm Width - Installation Dimension & Hole Size

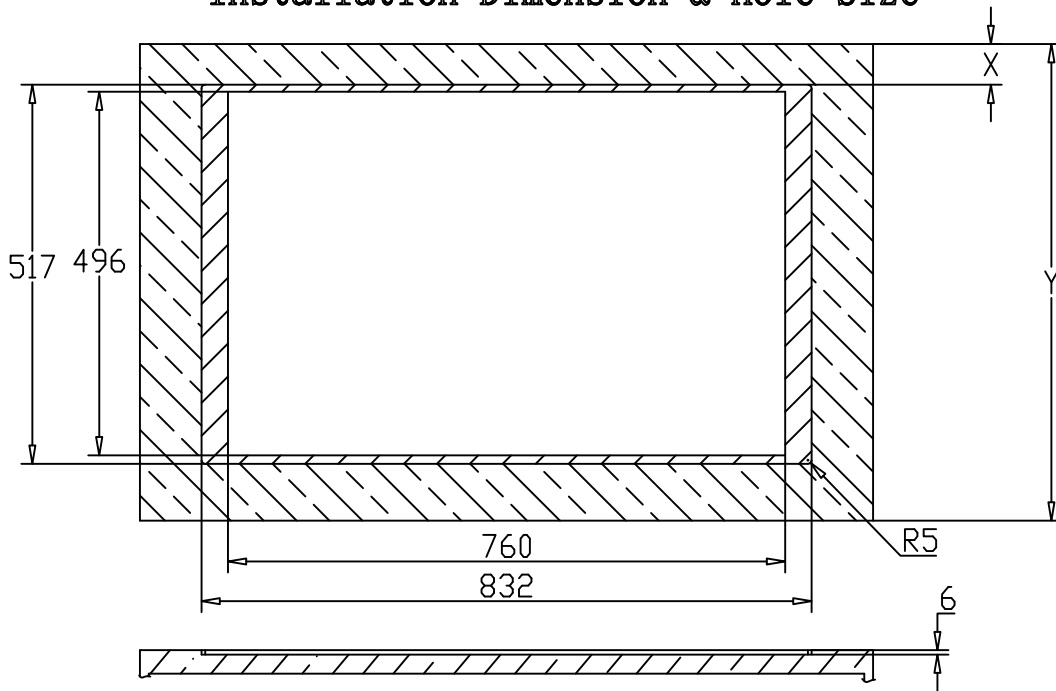
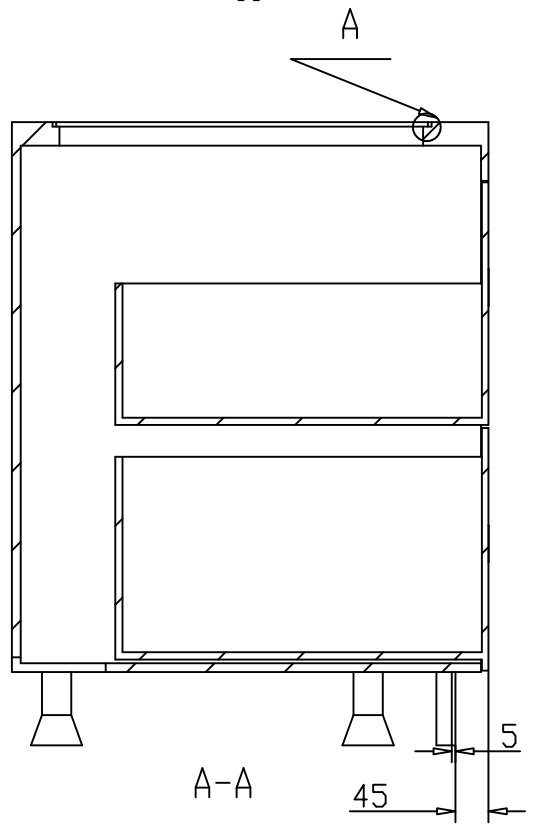
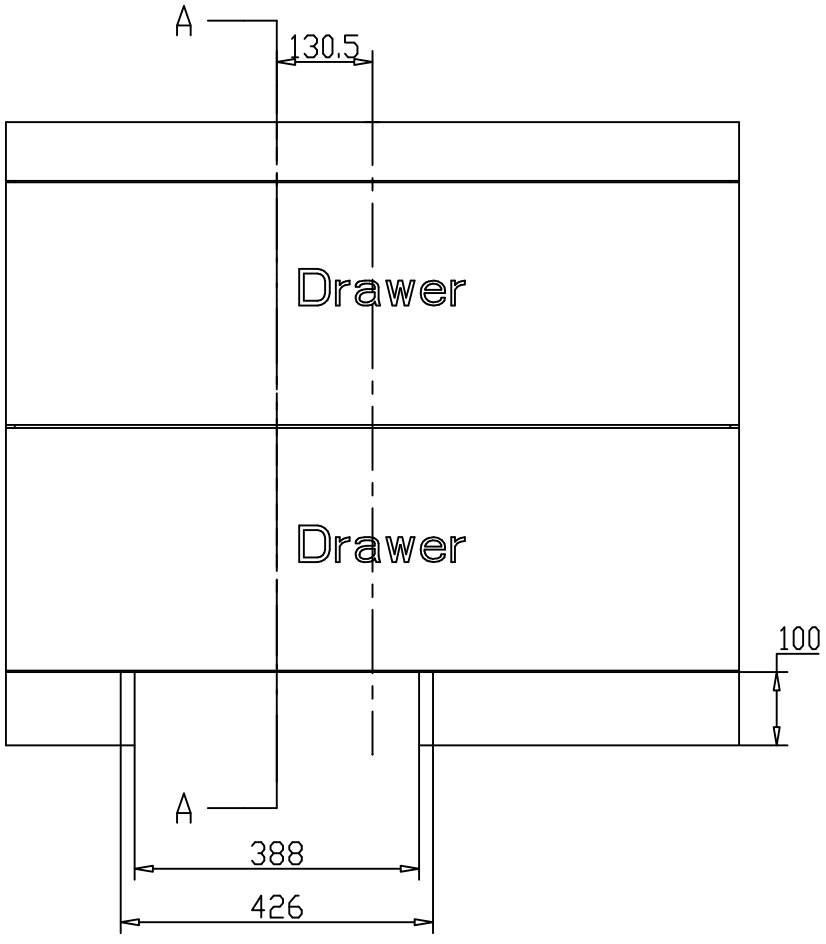
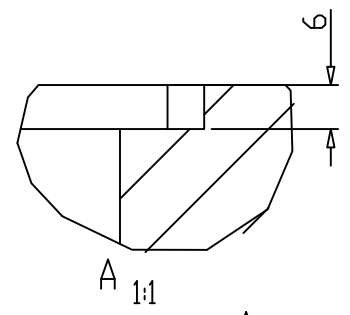


Table depth (Y)	X
600-650mm	54mm
≥650mm	65mm

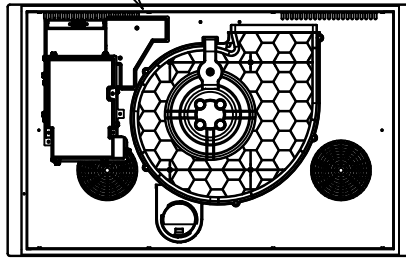




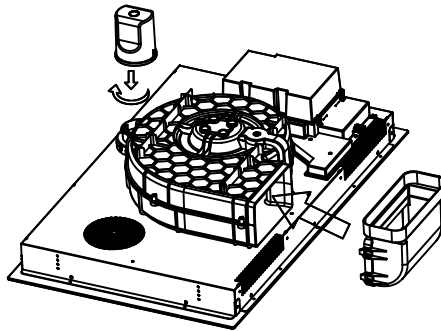
Recirculation System

2. Stick sponge strips

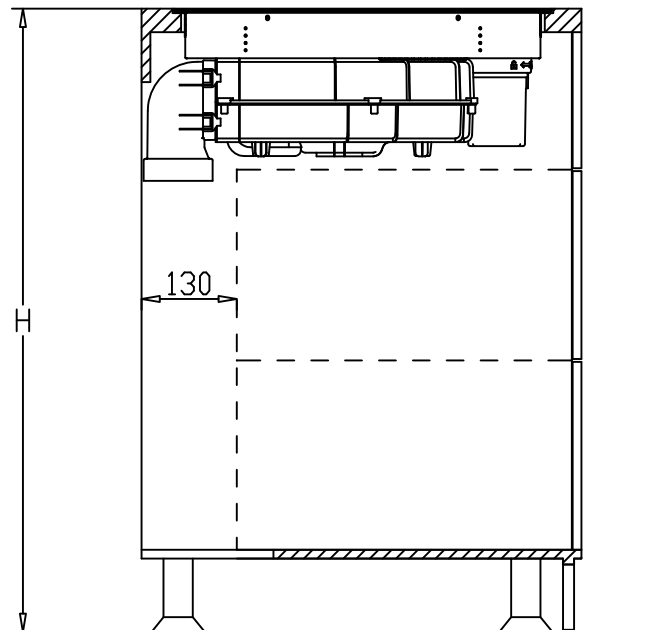
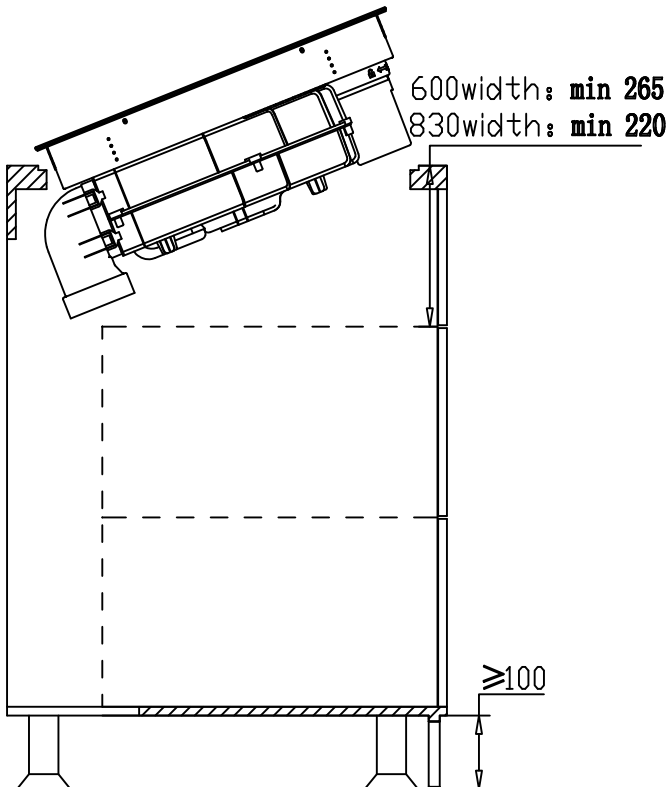
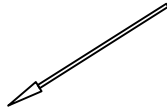
Sponge strip

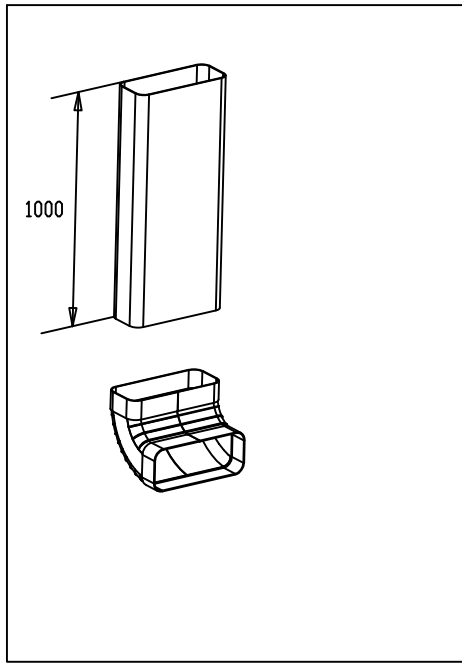


2. Install the cup and adapter

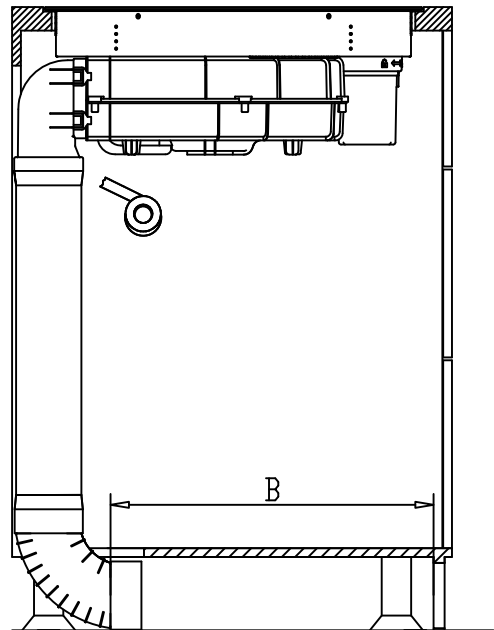
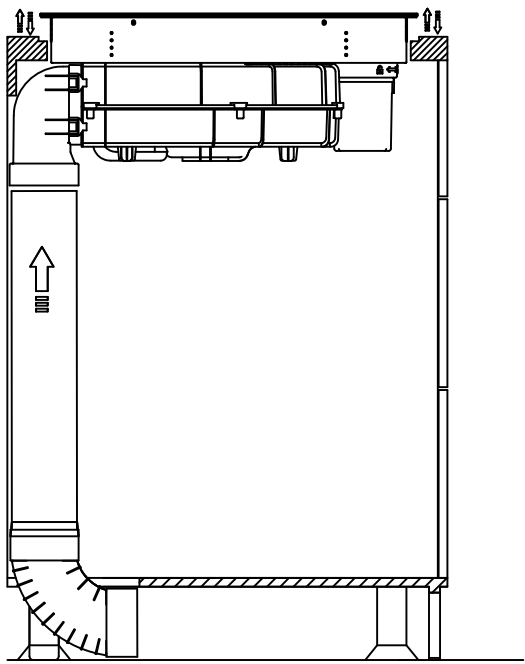
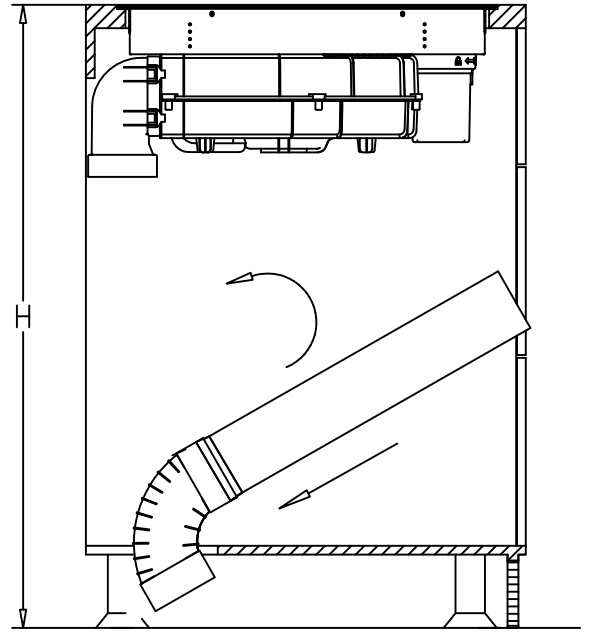


Place the whole machine in the cabinet and adjust the product

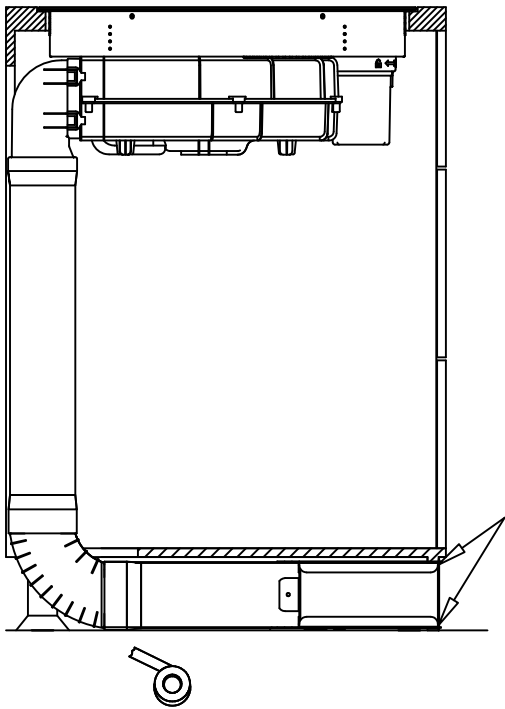
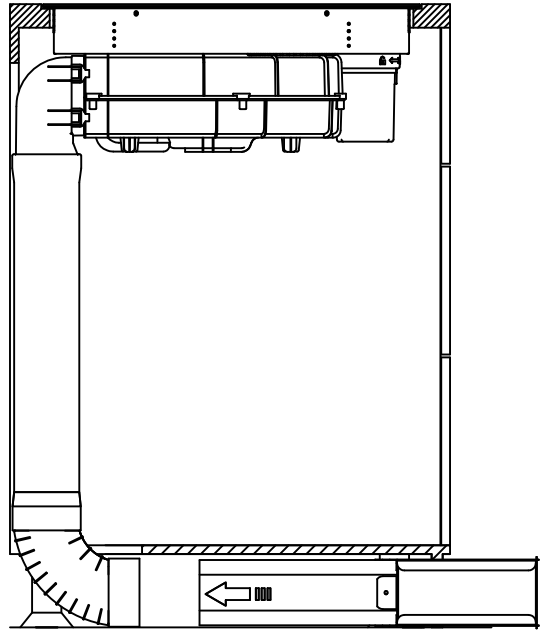
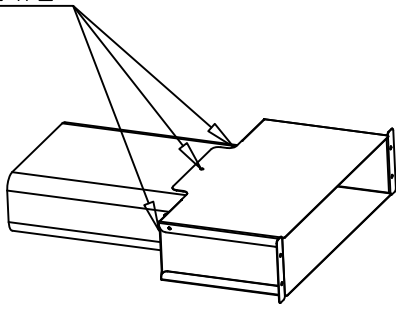




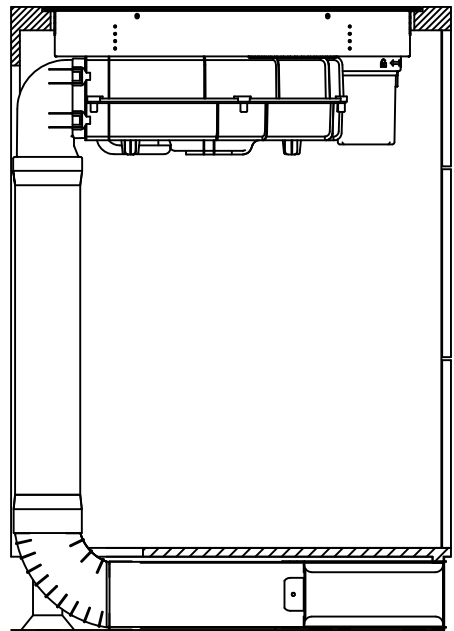
Naber S04024
Naber S04020

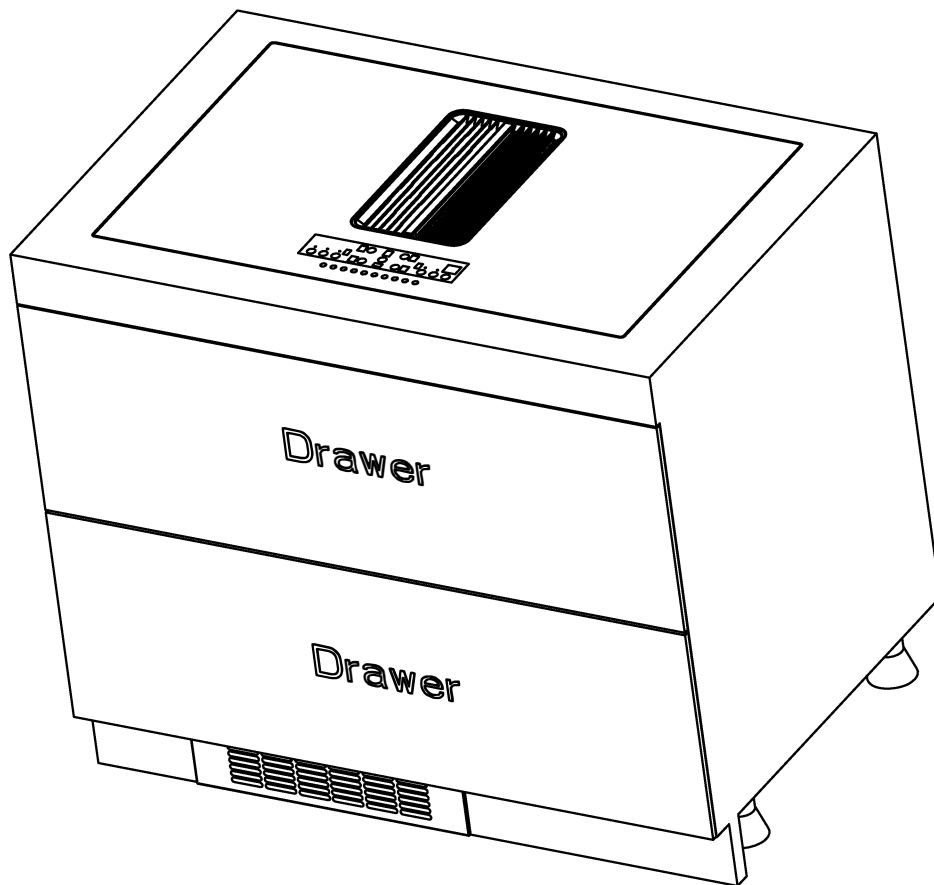


Set 4 screws



Fixing four screws





Extractor Hob 830mm Width - Installation Dimension & Hole Size

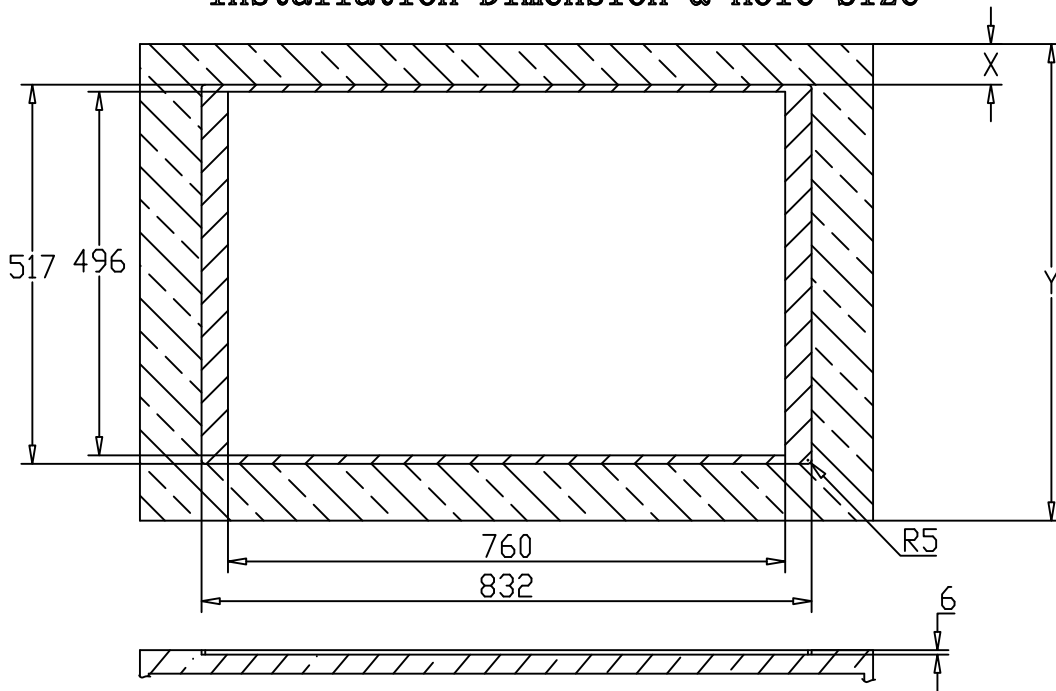
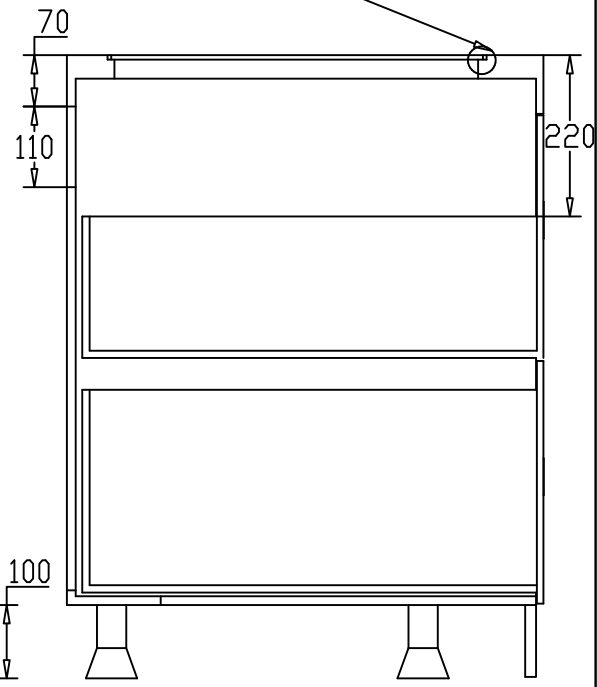
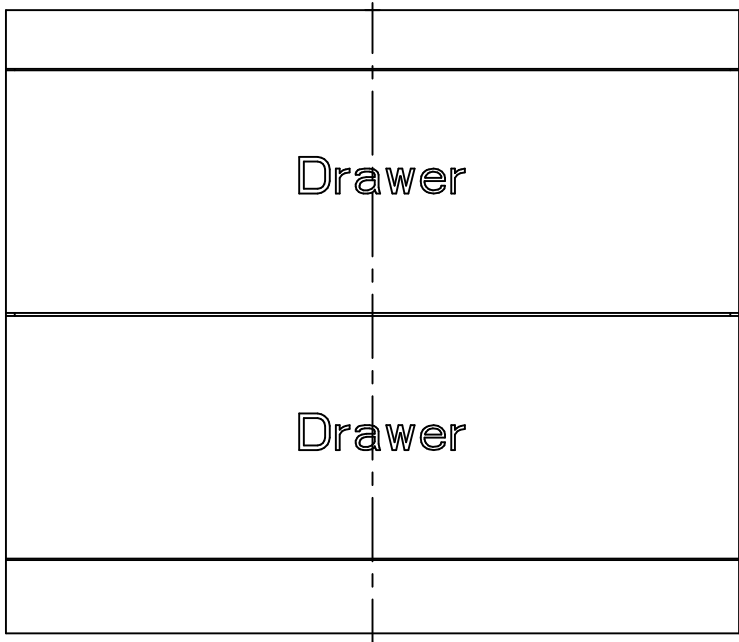
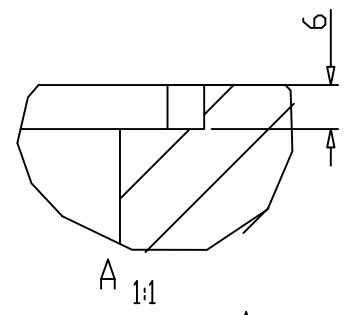
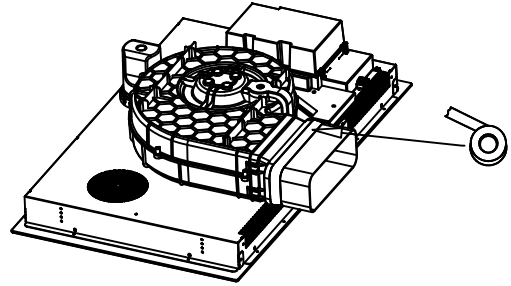
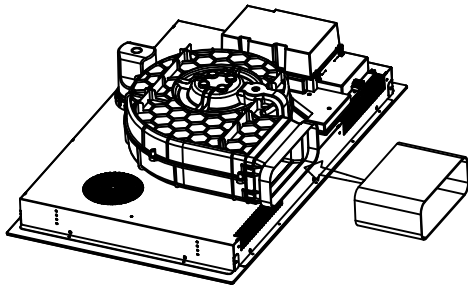


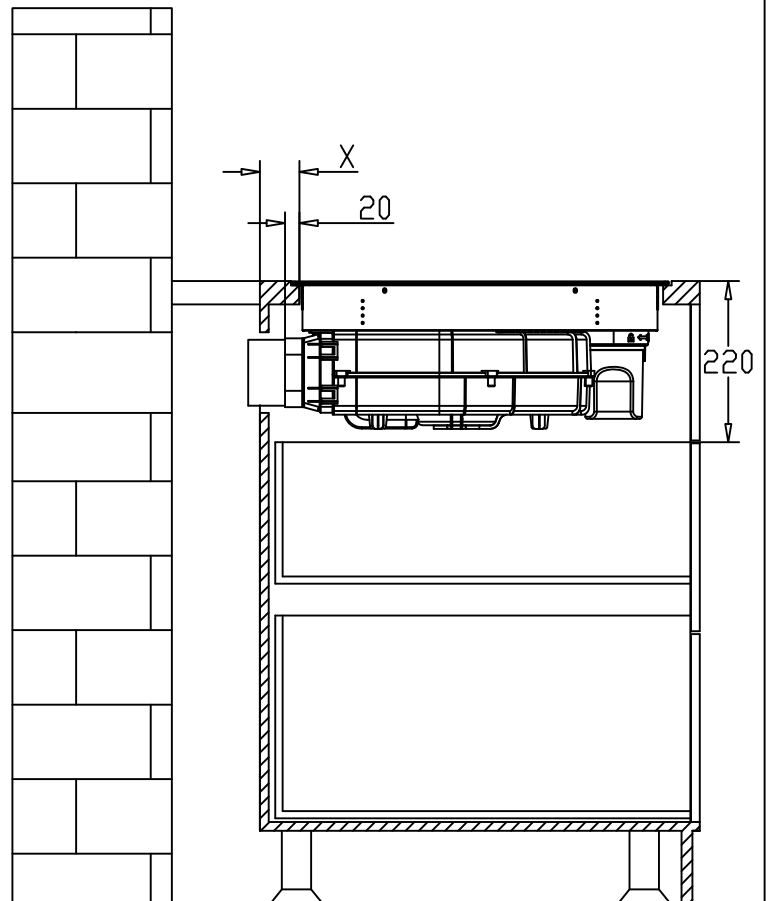
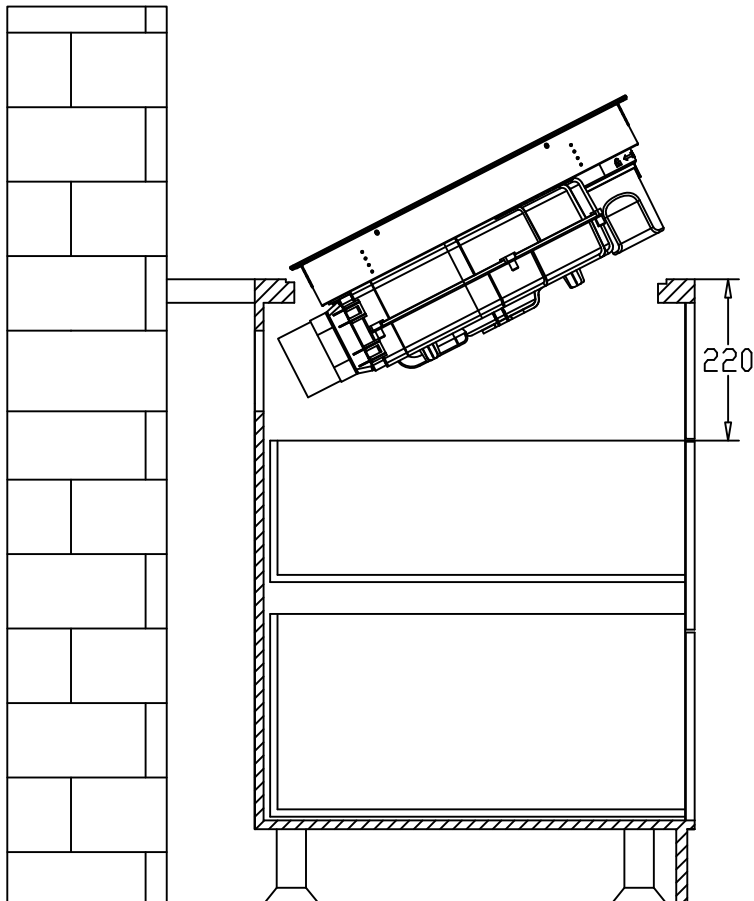
Table depth (Y)	X
600-650mm	54mm
≥650mm	65mm



A-A



外环环



	Electrical connection	Connection diagram home side	Power Cord
220-240V~			5G2.5mm ² H07RN-F L1:BK L2:BN N1:GY N2:BU PE:GN/YE
380-415V 2N~			5G2.5mm ² H07RN-F L1:BK L2:BN N1:GY N2:BU PE:GN/YE
L1, L2=Phase, N1, N2=Neutral, PE=Earth			
Diameter of the connecting electric wire must exceed 4.0mm ²			