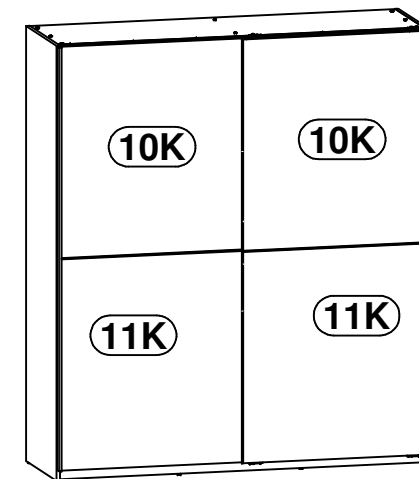
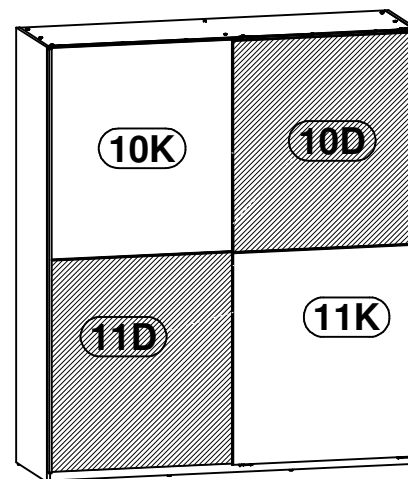
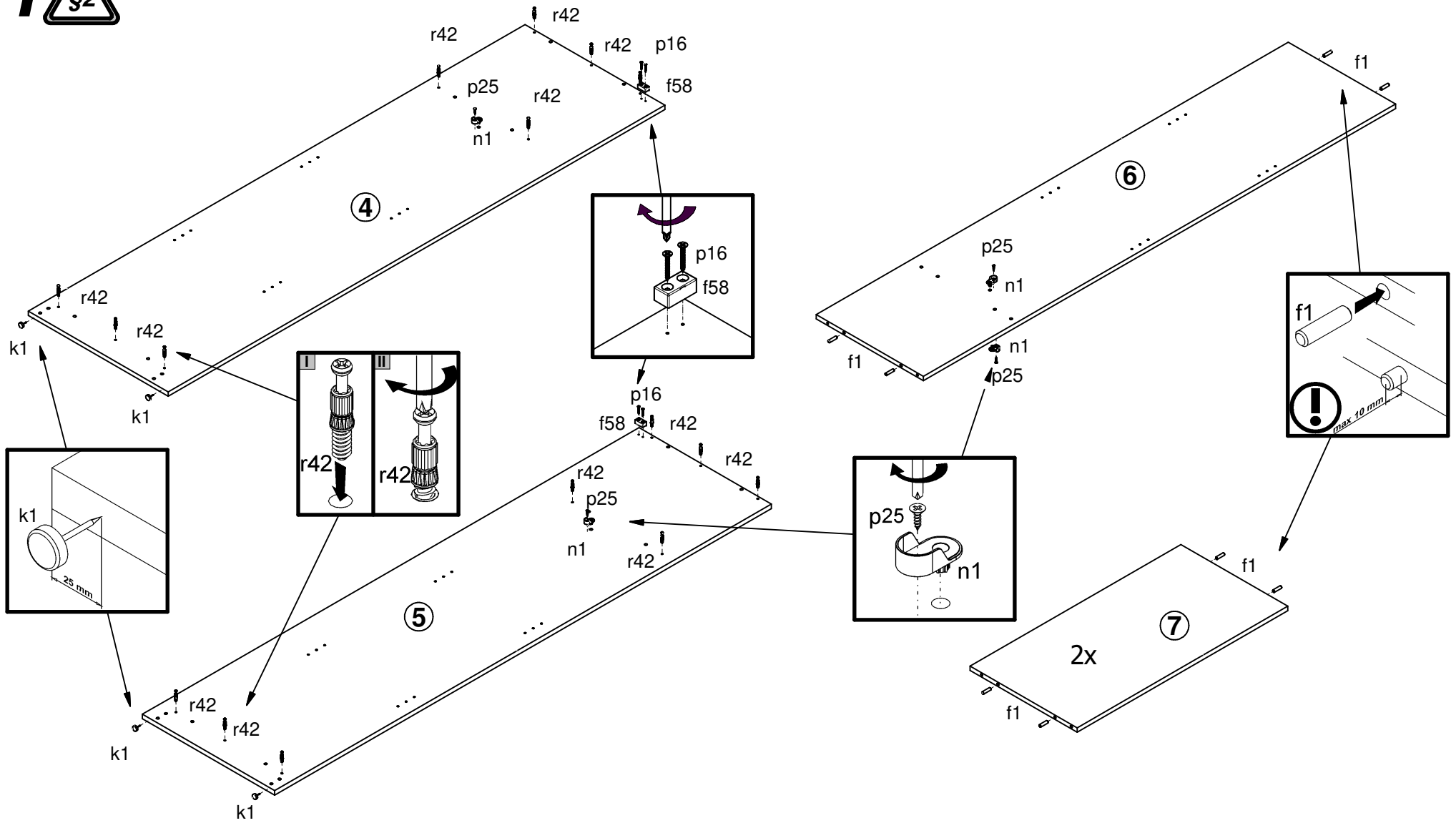


A	B	C (mm)			D
1	F27-405	1669	66	15	2/3
2	F27-406	1669	66	15	2/3
3	F27-902	1878	847	2,5	1/3
4	F52-101	1950	549	15	1/3
5	F52-102	1950	520	15	1/3
6	F52-103	1853	421	15	1/3
7	F52-301	827	420	15	2/3
8	F52-302	1669	519	15	2/3
9	F52-303	1669	504	15	2/3
10K	F52-507	861	950	15	3/3
10D	F52-507	861	950	15	3/3
11K	F52-508	861	950	15	3/3
11D	F52-508	861	950	15	3/3
12	dr-821	821	22	15	2/3

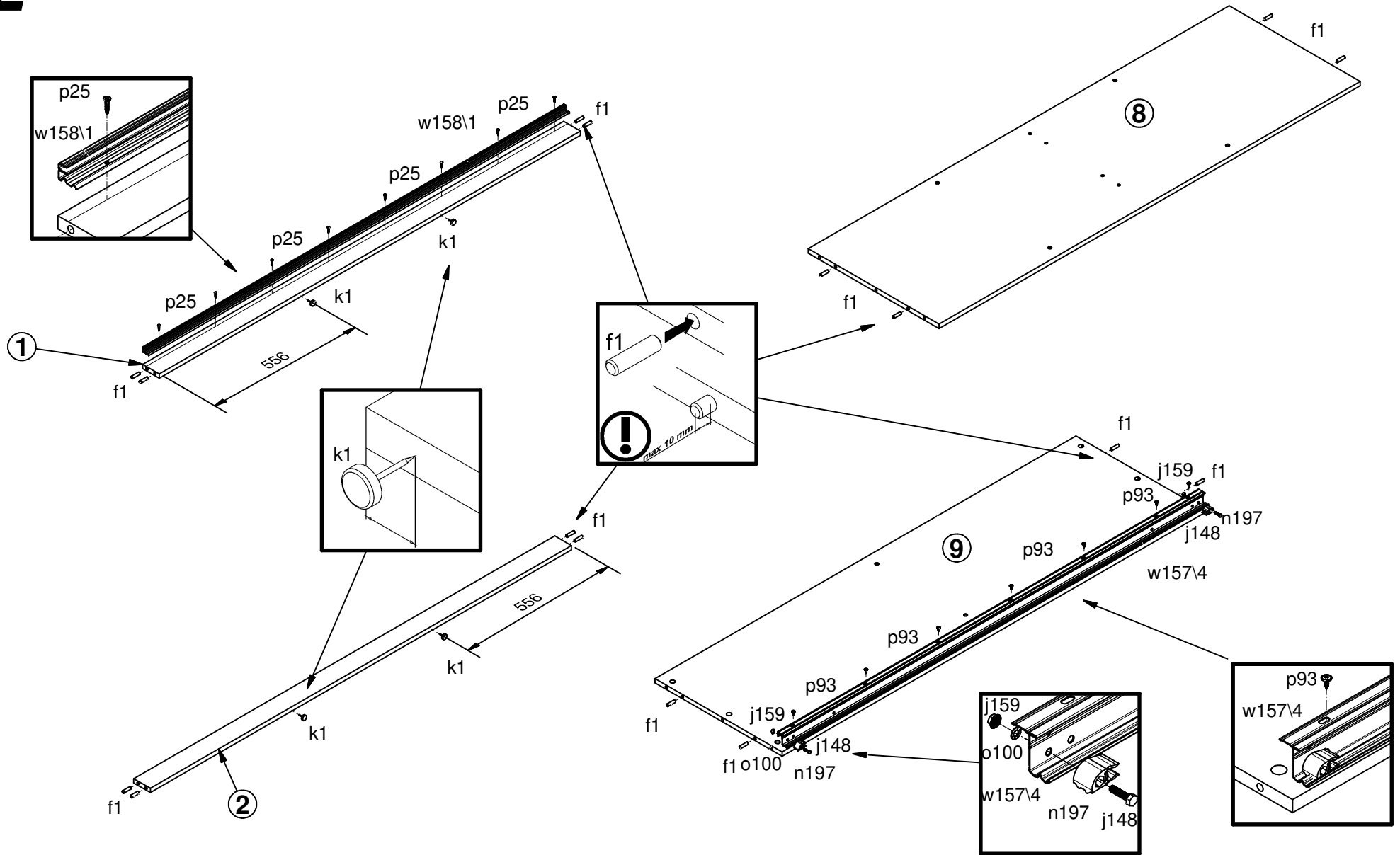


2x  n142	2x  n194	4x  p38	9x  p55
8x  e1	28x  f1	2x  f35	2x  f58
2x  j148	2x  j159	8x  k1	85x  l1
4x  n195	1x  n196	2x  n197	4x  n198
2x  n199	4x  n76	2x  o100	4x  p16
2x  p17	17x  p19	12x  p25	79x  p93
20x  r1	2x  r10	16x  r42	2x  w118/3
2x  w118/4	1x  w157/4	1x  w158/4	4x  s1
8x  s2	1x  z1	3h	



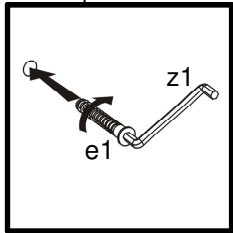
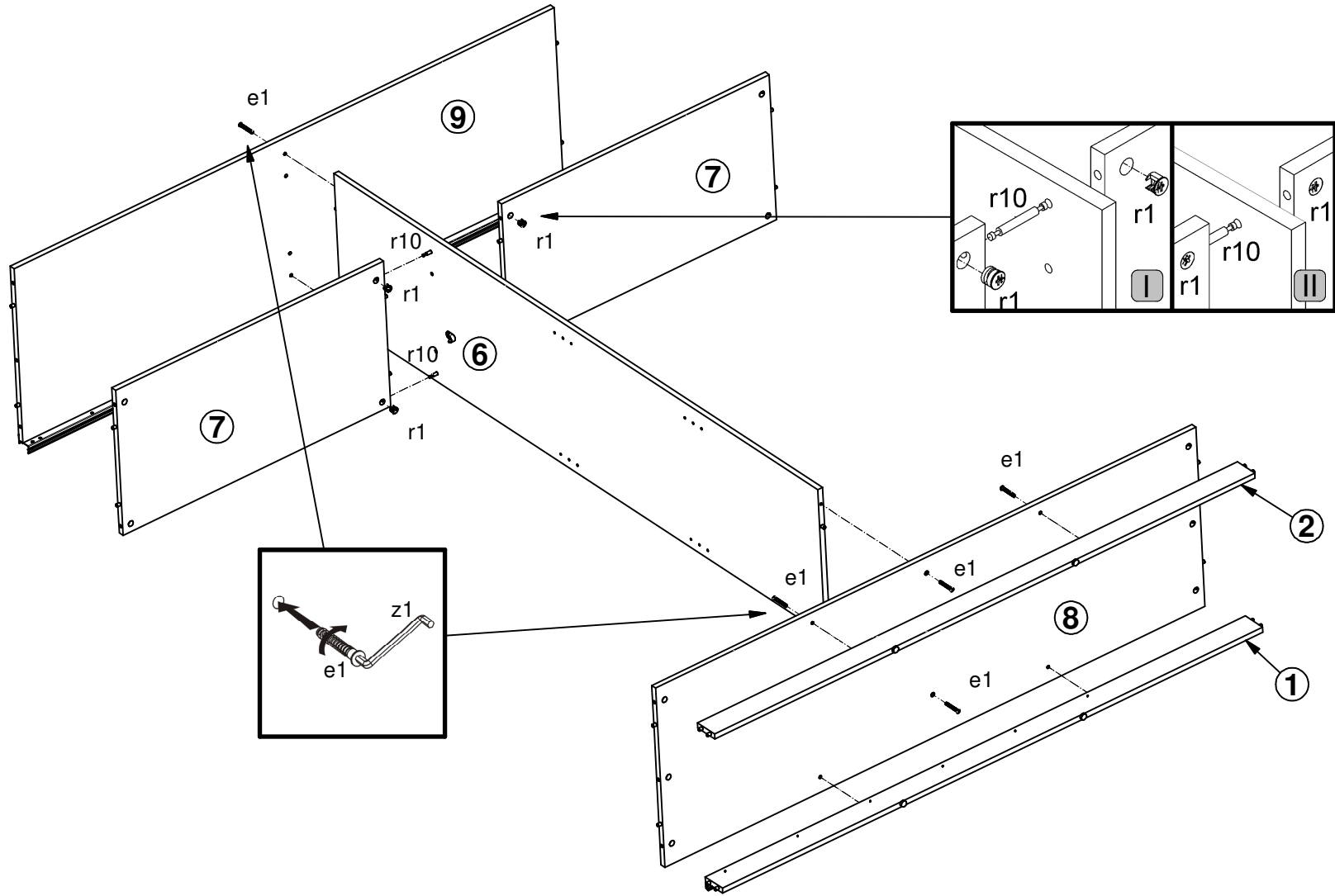
- 12x  
Ø8x30 mm  
f1
- 2x  
f58
- 4x  
k1
- 4x  
h=22mm  
n1
- 4x  
Ø3.5x25 mm  
p16
- 4x  
Ø3.5x16 mm  
p25
- 16x  
20/11  
r42

2



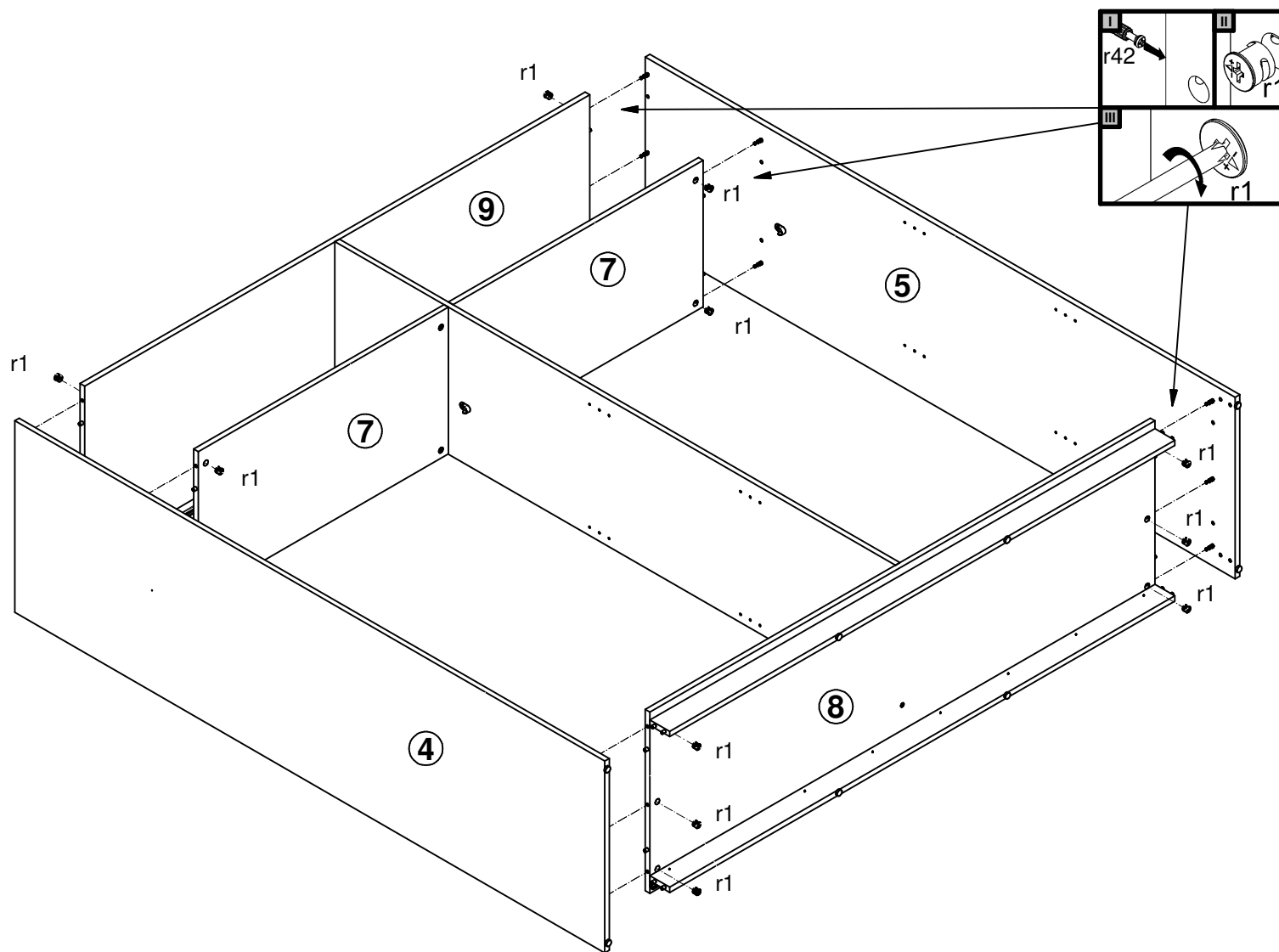
- |                       |          |            |                        |                  |                      |                         |                       |                           |                          |
|-----------------------|----------|------------|------------------------|------------------|----------------------|-------------------------|-----------------------|---------------------------|--------------------------|
| 16x<br>Ø8x30 mm<br>f1 | 4x<br>k1 | 2x<br>n197 | 2x<br>M5x20 mm<br>j148 | 2x<br>M5<br>j159 | 2x<br>Ø5xØ10<br>o100 | 8x<br>Ø3.5x16 mm<br>p25 | 7x<br>Ø4x13 mm<br>p93 | 1x<br>L-1668 mm<br>w157\4 | 1x<br>L-1668mm<br>w158\4 |
|-----------------------|----------|------------|------------------------|------------------|----------------------|-------------------------|-----------------------|---------------------------|--------------------------|

# 3

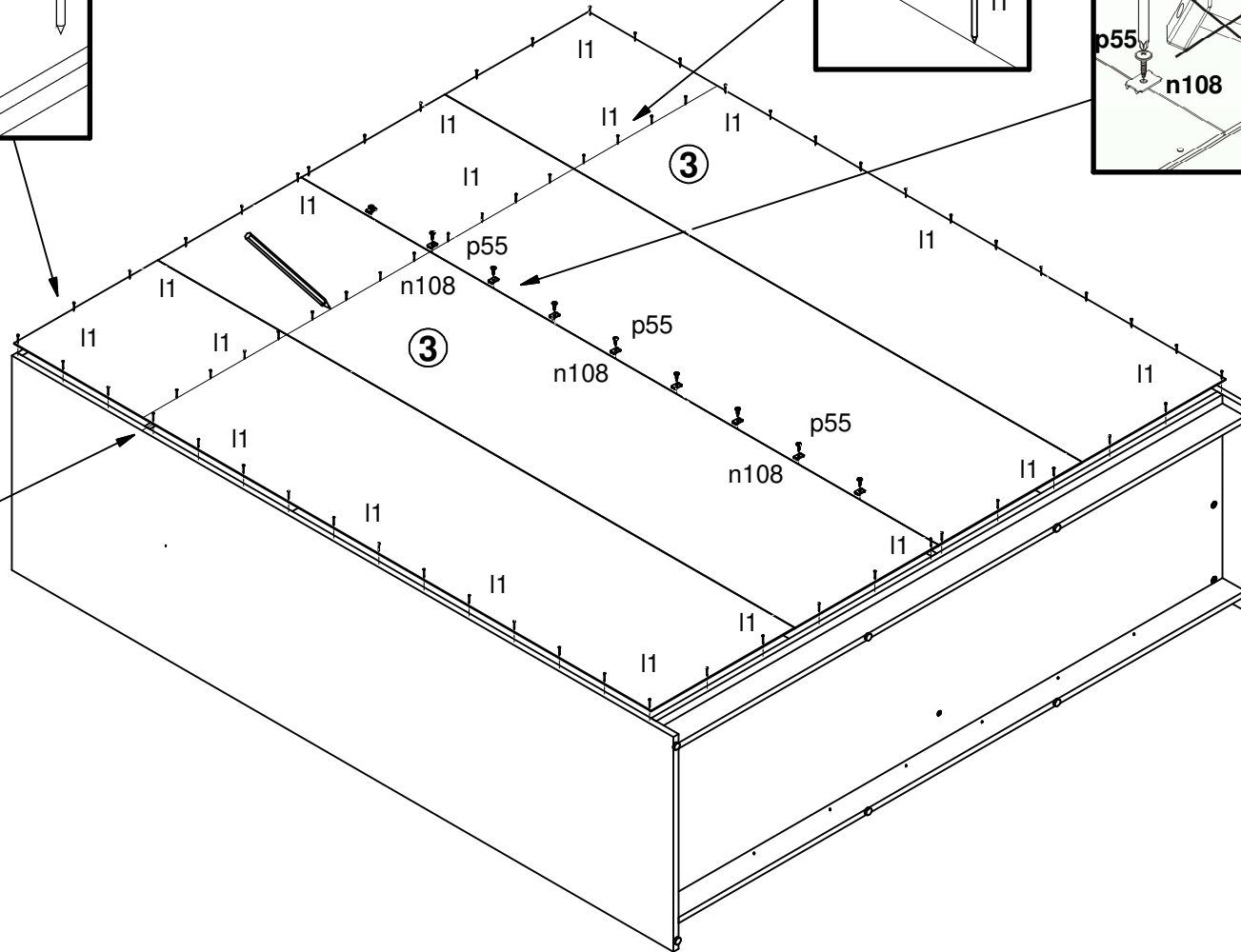
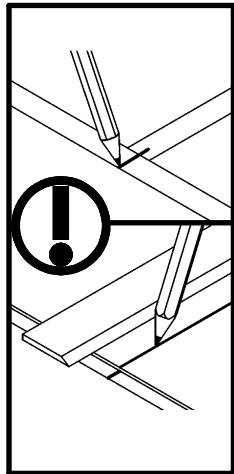
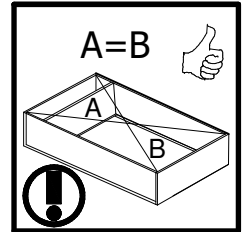
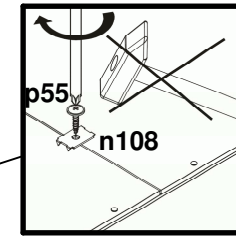
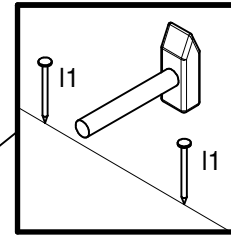
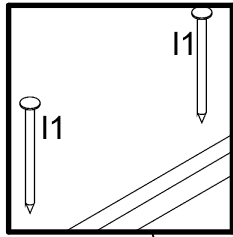



8x Ø7x50 mm e1	4x Ø15x12 mm #16 r1	2x r10
----------------------	---------------------------	-----------

4

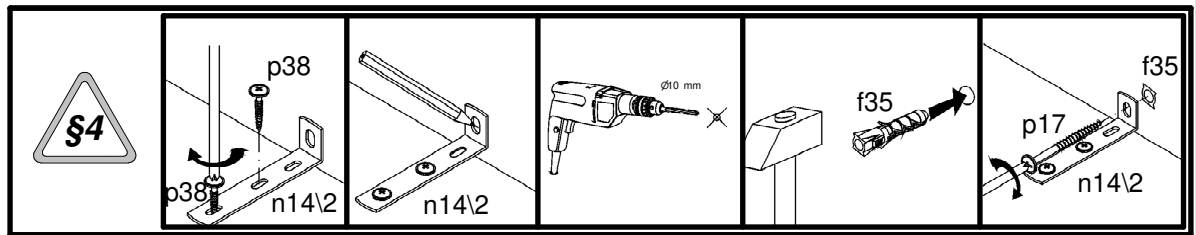
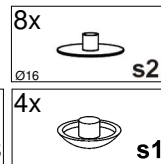
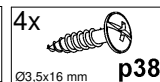
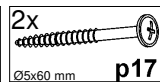
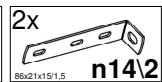
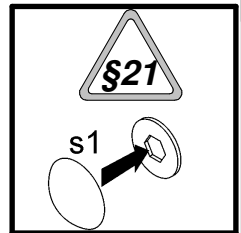
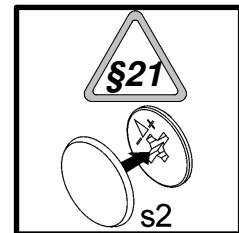
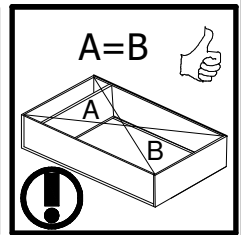
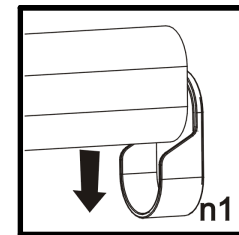
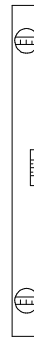
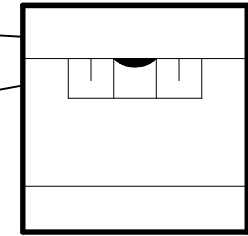
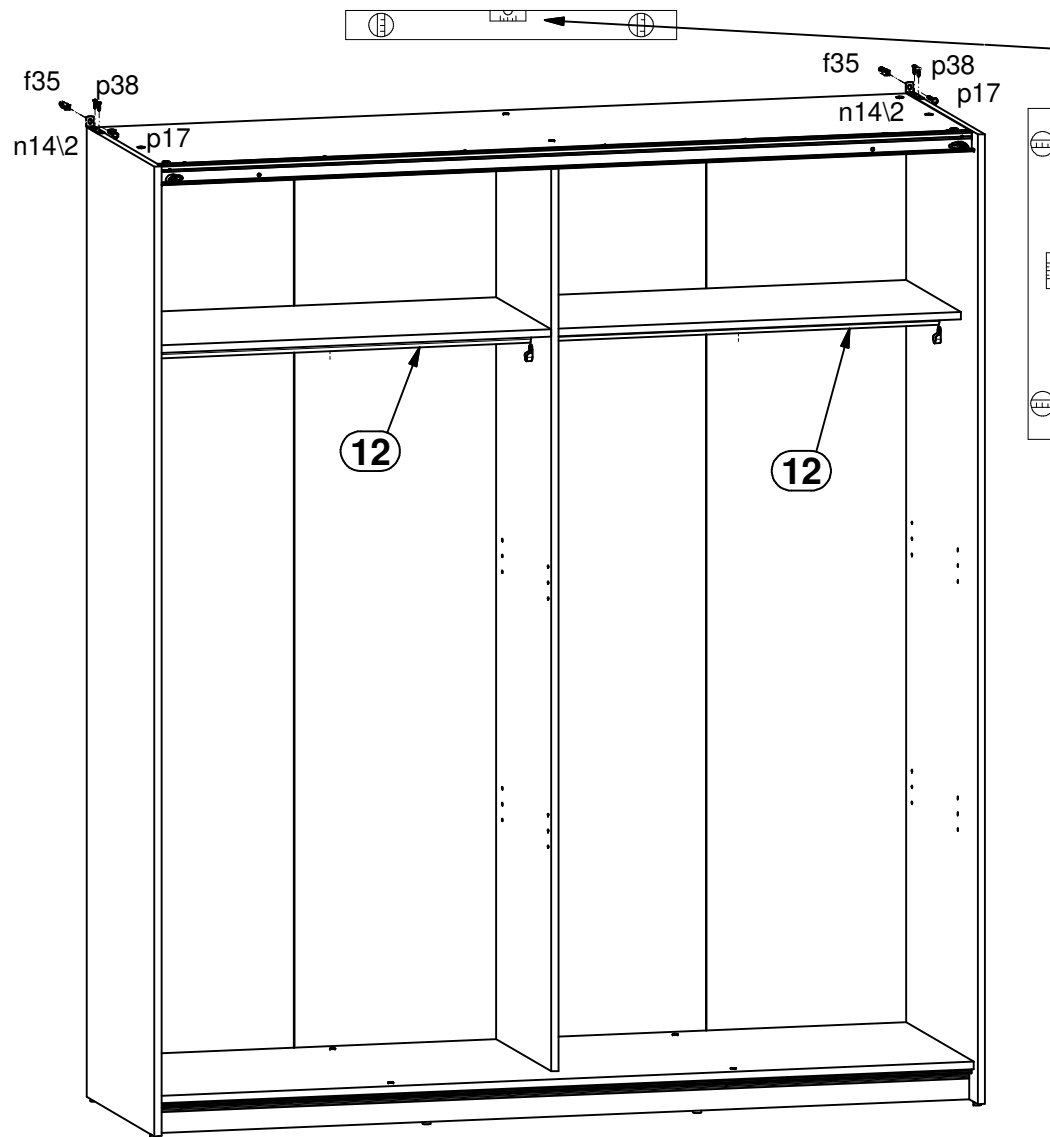


# 5



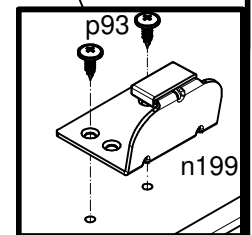
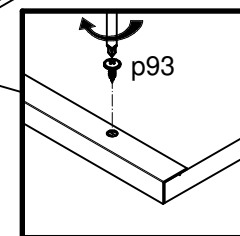
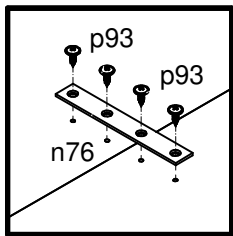
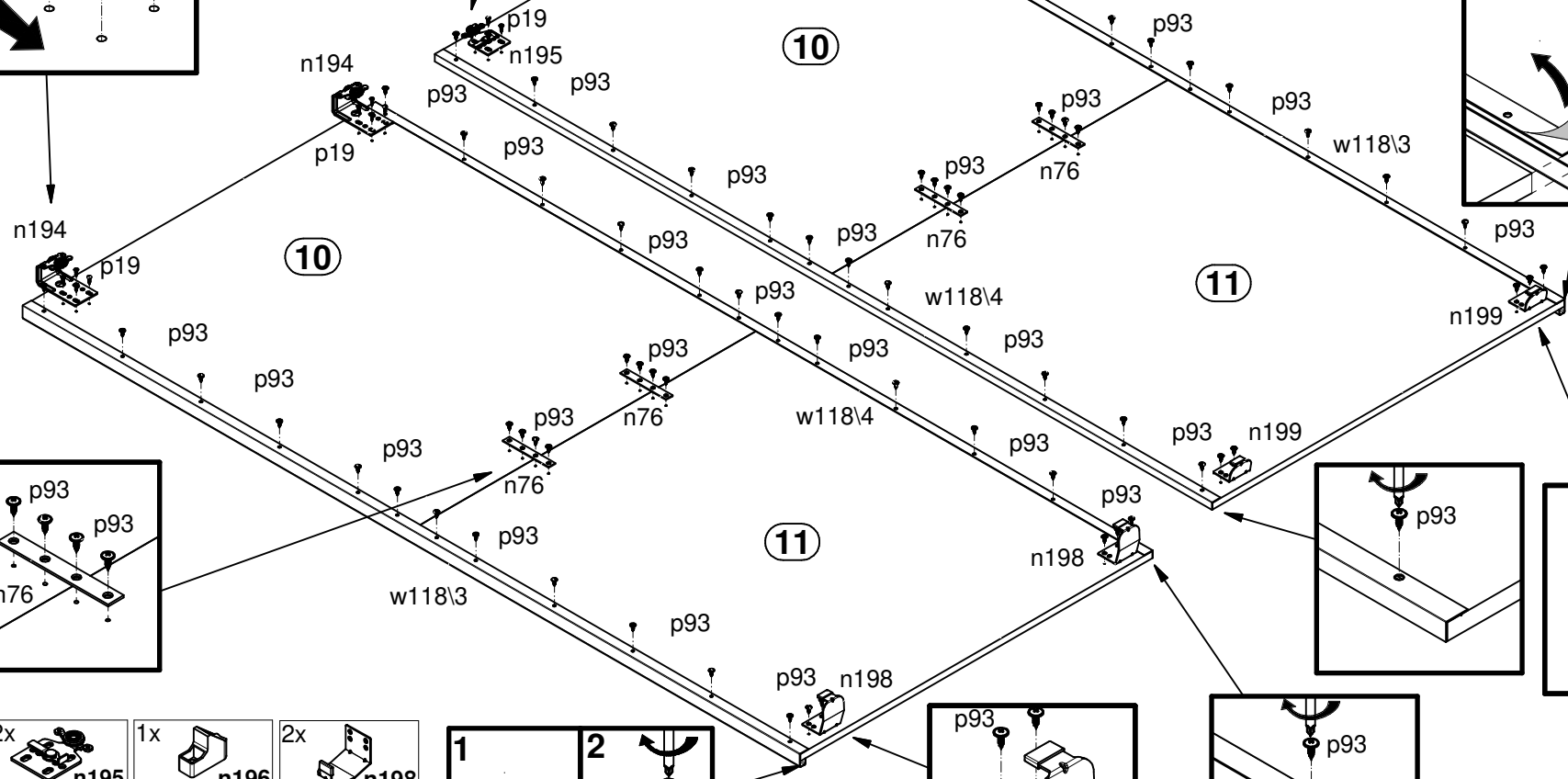
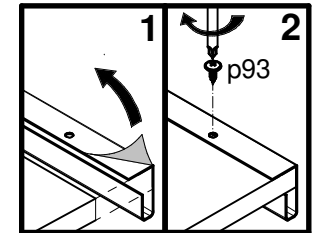
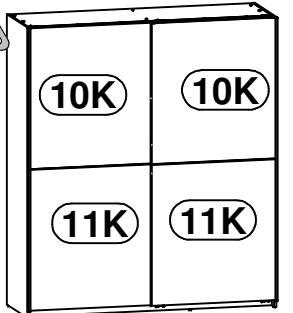
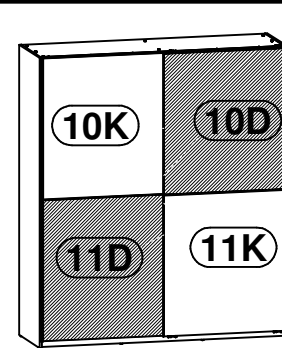
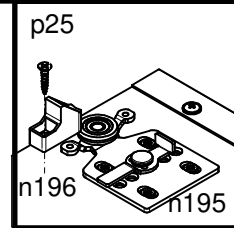
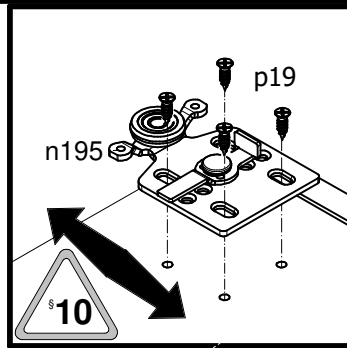
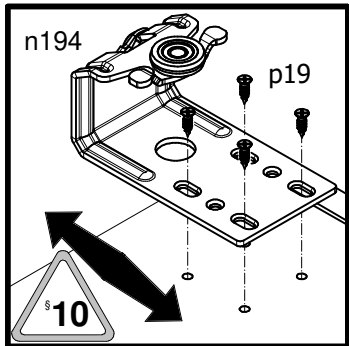
- 85x  l1  
1.4x20 mm
- 9x  n108  
22x9,5x20,7 mm
- 9x  p55  
Ø2,9x16 mm

# 6

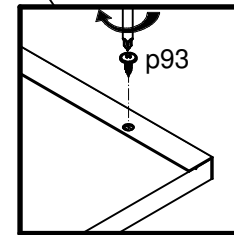
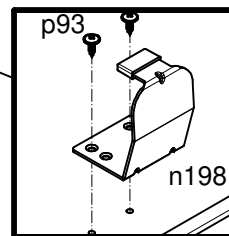
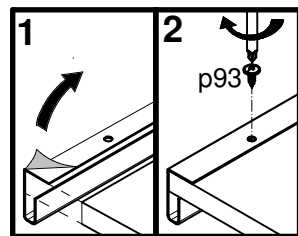




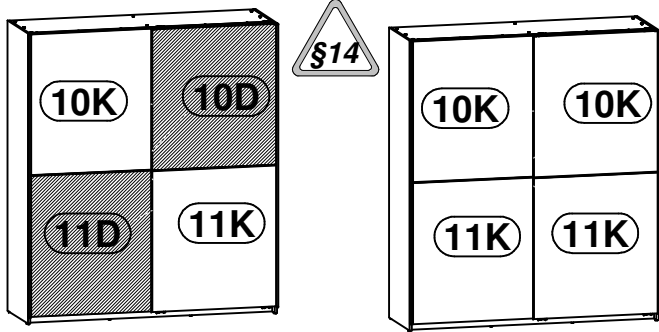
7



- |                            |                               |                               |                             |
|----------------------------|-------------------------------|-------------------------------|-----------------------------|
| 2x<br><br>n194             | 2x<br><br>n195                | 1x<br><br>n196                | 2x<br><br>n198              |
| 2x<br><br>n199             | 4x<br><br>n76                 | 16x<br><br>p19<br>Ø4x16 mm    | 1x<br><br>p25<br>Ø3.5x16 mm |
| 72x<br><br>p93<br>Ø4x13 mm | 2x<br><br>w118/3<br>L=1900 mm | 2x<br><br>w118/4<br>L=1900 mm |                             |



8



9

