



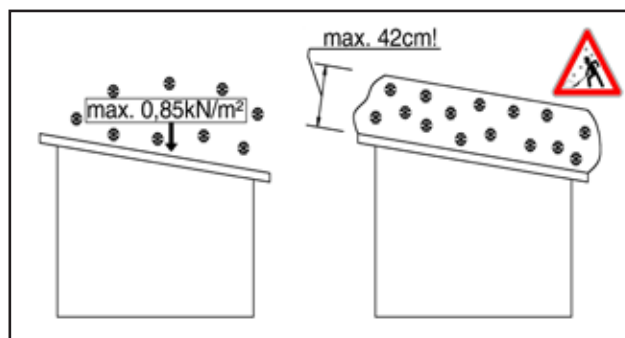
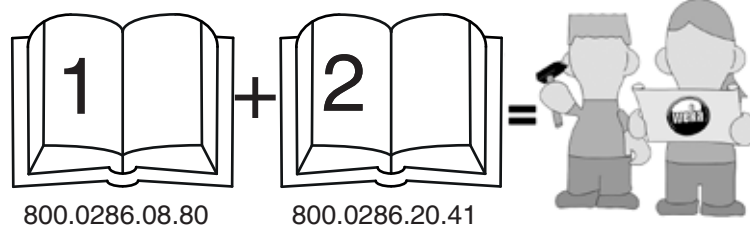
www.weka-holzbau.com

Flachdachcarport

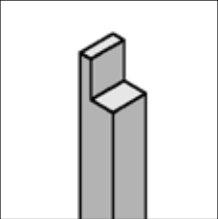

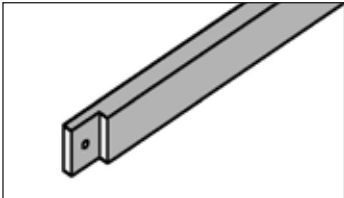
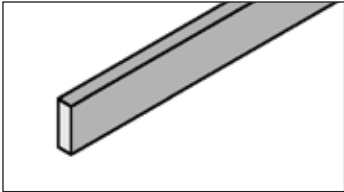
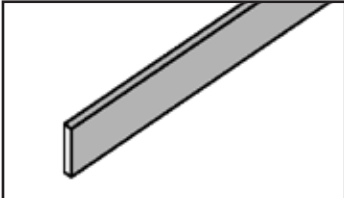
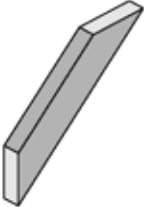
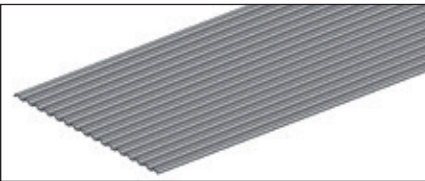









Art.-Nr.: 606.3060.40.10



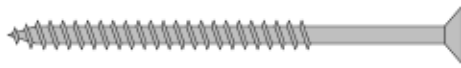



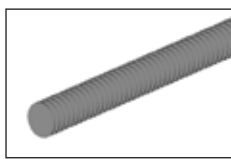
Montage-, Bedienungs- und Wartungsanleitung

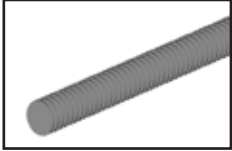





Stand: 2414

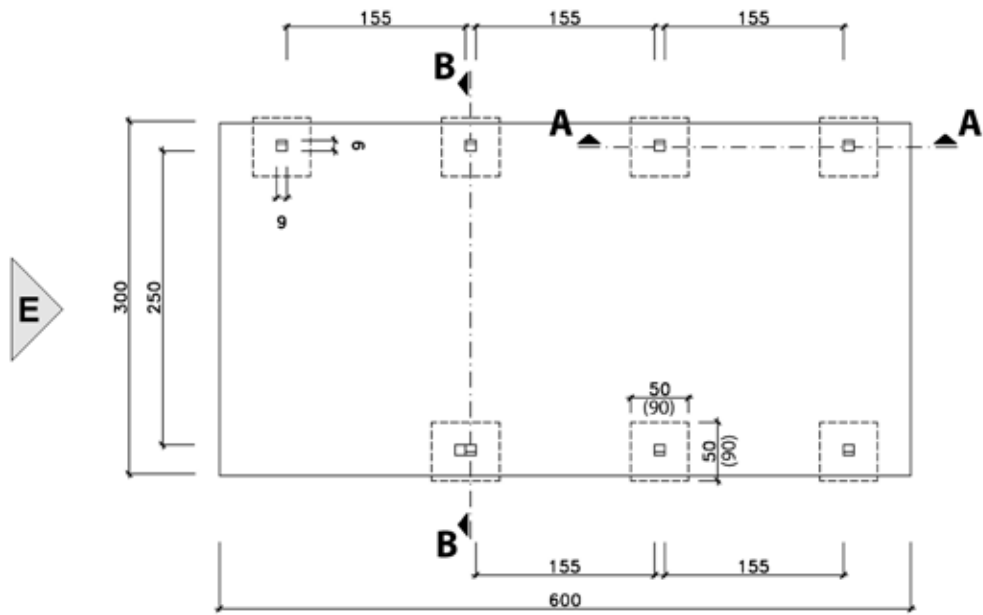
| Pos | Bild | Abmessung (mm) | Anzahl (Stück) |
|-----|---|---------------------|---------------------|
| ① | G656.01.0001  | 90/90/2150 | 7 |
| ② | G606.01.0013  | 90/90/3276 | 1 |
| ③ | G617.01.0005  | 60/120/3050 | 4 |
| ④ | G606.01.0010  | 32/100/2960 | 9 |
| ⑤ | G606.01.0007  | 20/100/3000 | 4 |
| ⑥ | G606.01.0005  | 40/100/500 | 11 |
| ⑦ |  | 1090/3100 | 6 |

| Pos | Bild | Abmessung (mm) | Anzahl (Stück) |
|-----|---|---------------------|---------------------|
| M1 | <p>K008.1008.0001</p>  | M8 x 100 | 7 |
| M2 | <p>K024.0810.0001</p>  | M8 | 7 |
| M3 | <p>K020.8400.0001</p>  | 8,4 | 14 |
| M4 | <p>K005.8010.0001</p>  | M10 x 80 | 2 |
| M5 | <p>K020.1050.0001</p>  | 10,5 | 2 |
| M6 | <p>K031.5050.0001</p>  | 50/50/40 | 18 |
| M7 | <p>K002.2050.0004</p>  | 5,0 x 20 | 80 |

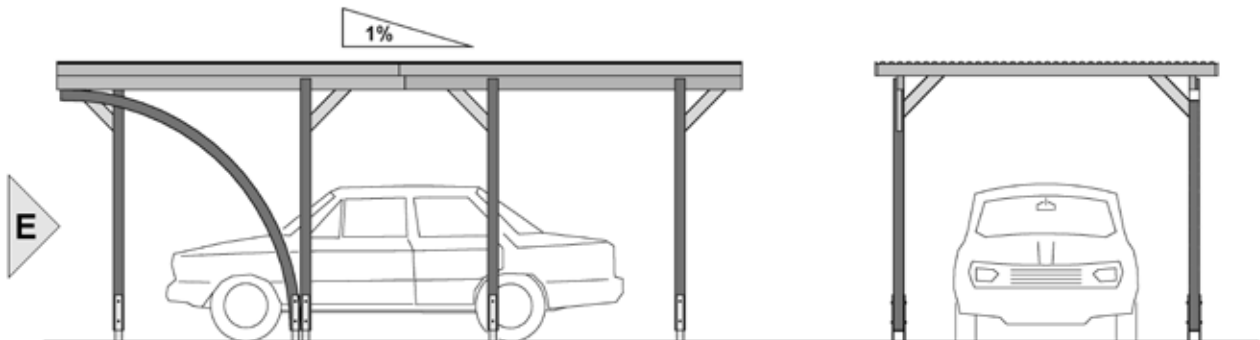
| Pos | Bild | Abmessung (mm) | Anzahl (Stück) |
|-----|---|---------------------|---------------------|
| M8 | K002.4050.0004  | 5,0 x 40 | 80 |
| M9 | K001.1250.0004  | 5,0 x 120 | 22 |
| M10 | K001.8050.0004  | 5,0 x 80 | 22 |
| M11 | K001.6040.0004  | 4,0 x 60 | 40 |
| M12 | K012.4545.0005  | 4,5 x 45 | 160 |
| M13 | K014.1810.0001  | 10 x 18 | 160 |
| M14 | K009.3012.0001  | M12 x 300 | 2 |

| Pos | Bild | Abmessung (mm) | Anzahl (Stück) |
|-------|---|---------------------|---------------------|
| (M15) | <p>K009.2212.0001</p>  | M12 x 220 | 2 |
| (M16) | <p>K024.1200.0001</p>  | M12 | 8 |
| (M17) | <p>K020.1340.0001</p>  | 4,0/44/13,50 | 8 |
| (M18) | <p>K074.4812.0002</p>  | 14/48 | 4 |

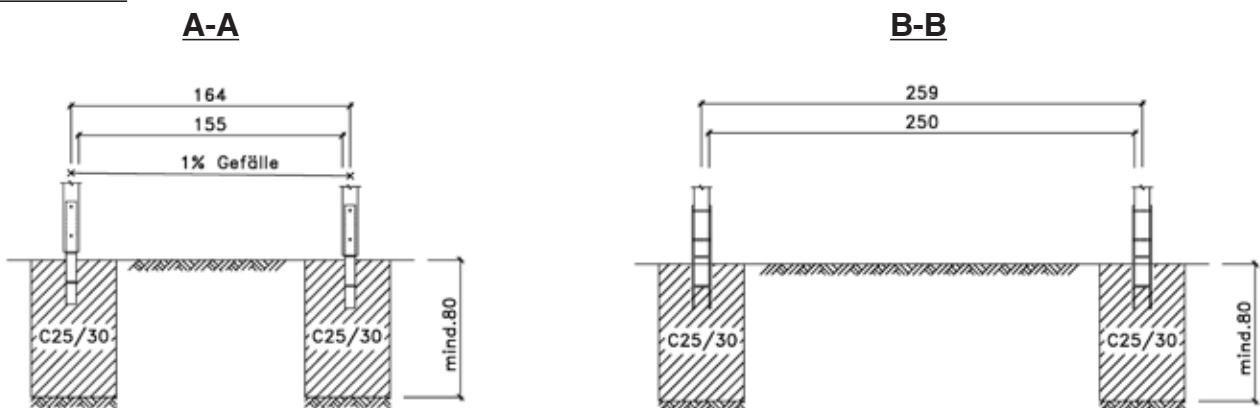
Grundriss:



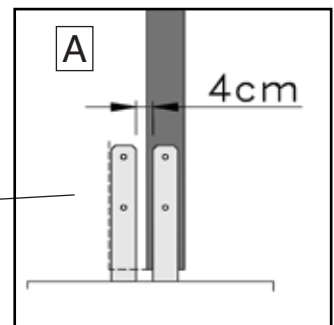
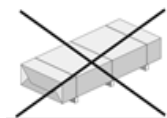
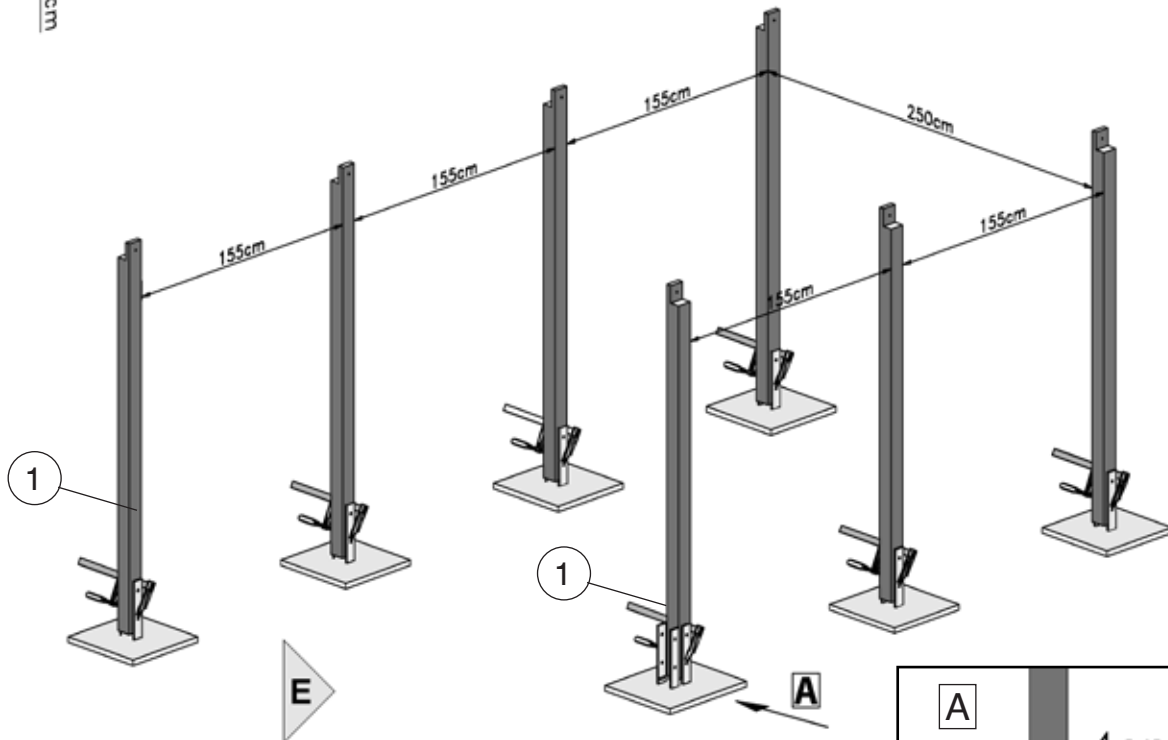
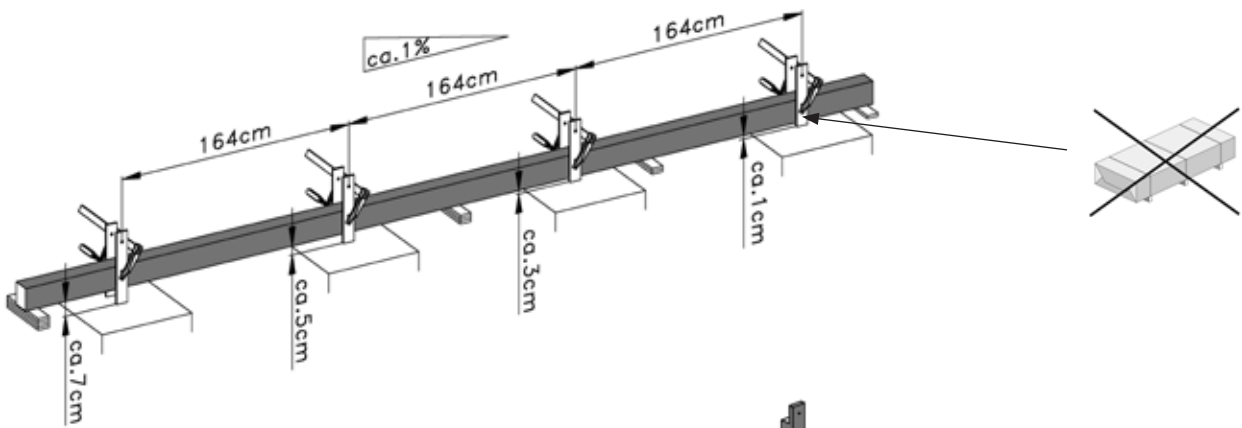
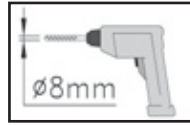
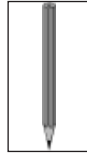
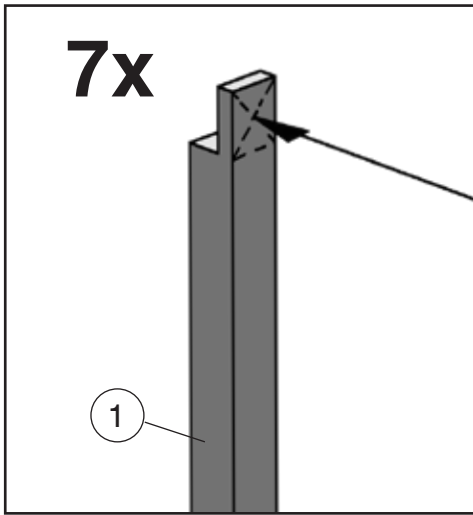
Ansichten:



Schnitte:

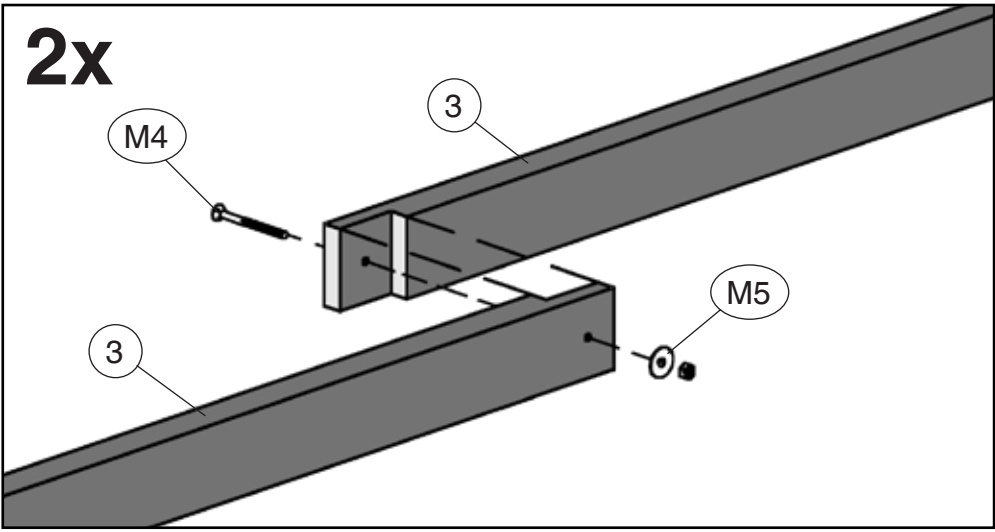


1






2

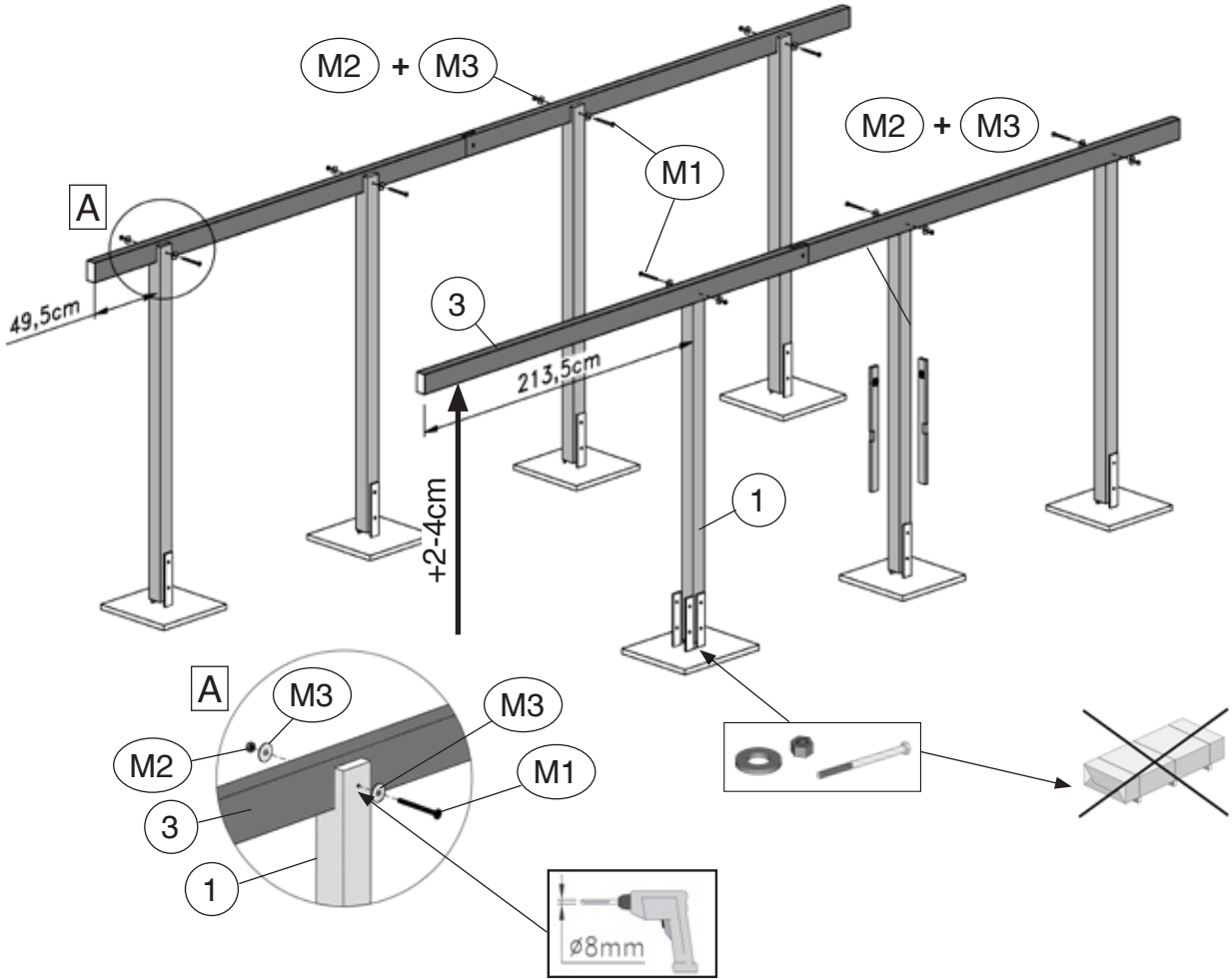
| | |
|---|-------------|
|  | M4 M10 x 80 |
|  | M5 10,5 |



3

| | |
|---|-------------|
|  | M1 M8 x 100 |
|---|-------------|


| | |
|---|--------|
|  | M2 M8 |
|  | M3 8,4 |

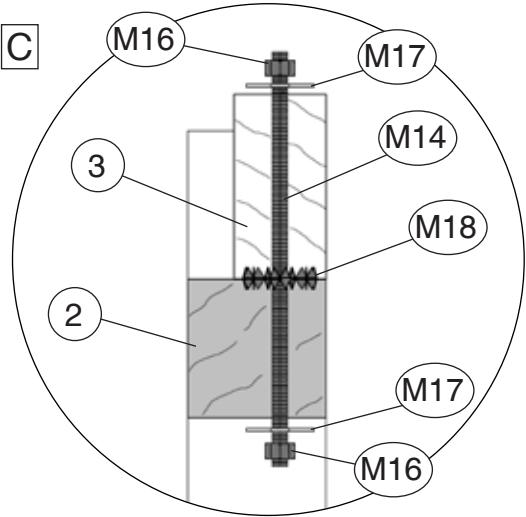
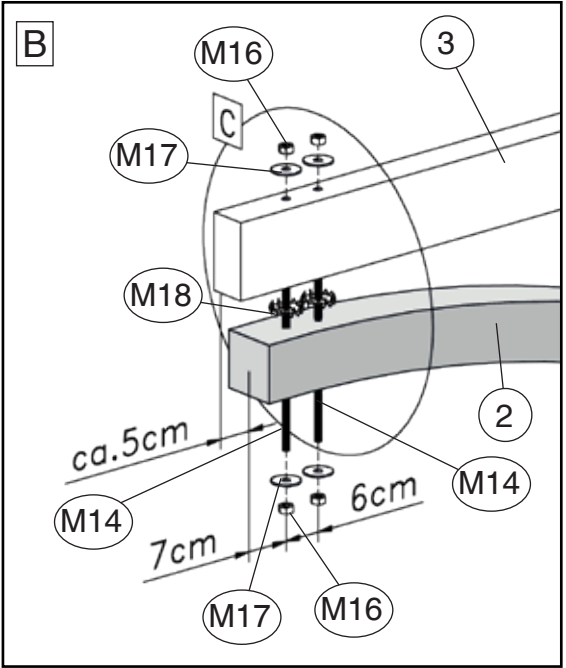
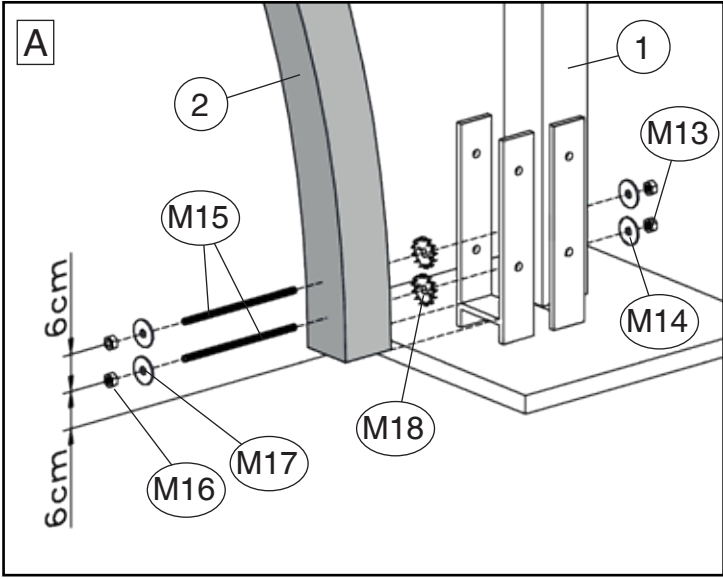
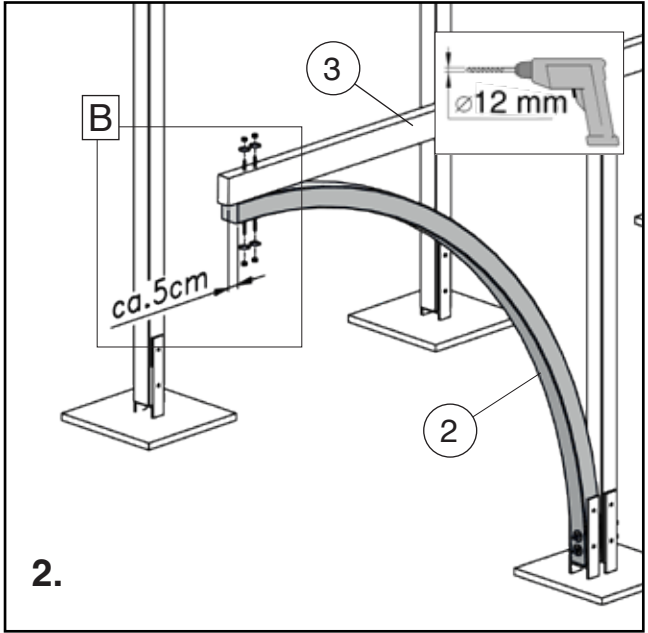
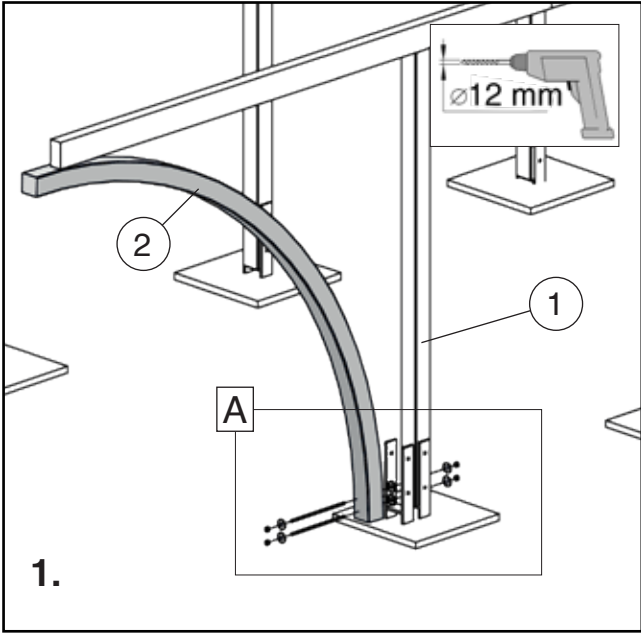


4


| | |
|---|---------------|
|  | M14 M12 x 300 |
|  | M15 M12 x 220 |

| | |
|---|---------------|
|  | M16 M12 |
|  | M17 4/44/13,5 |

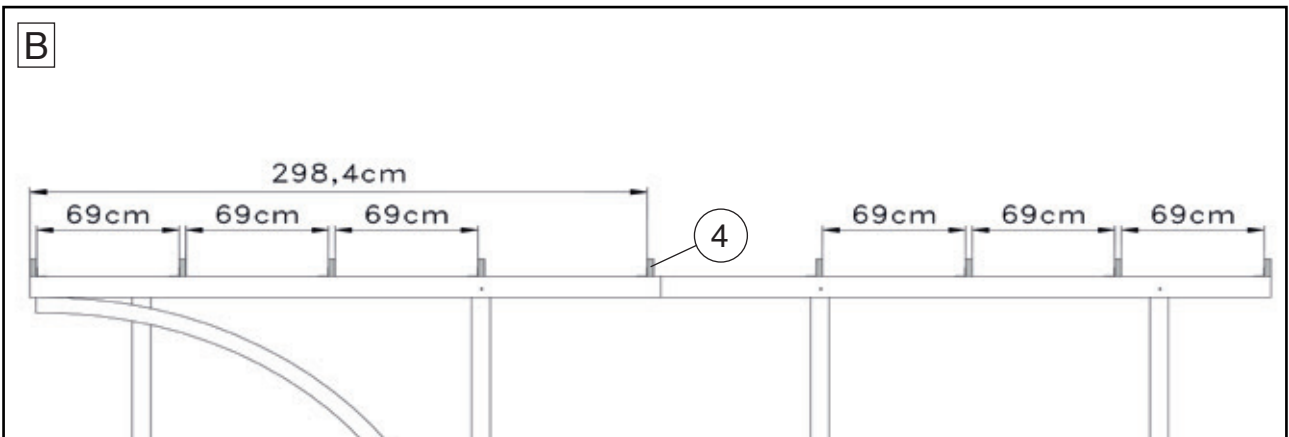
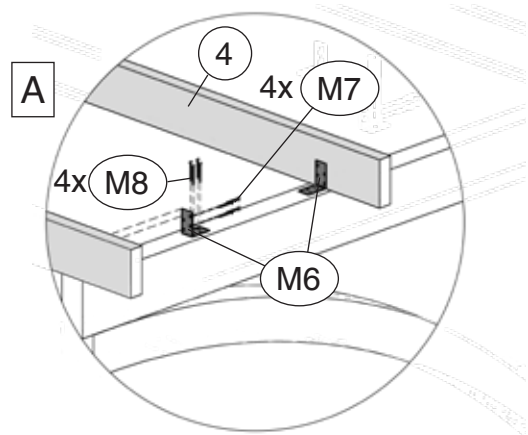
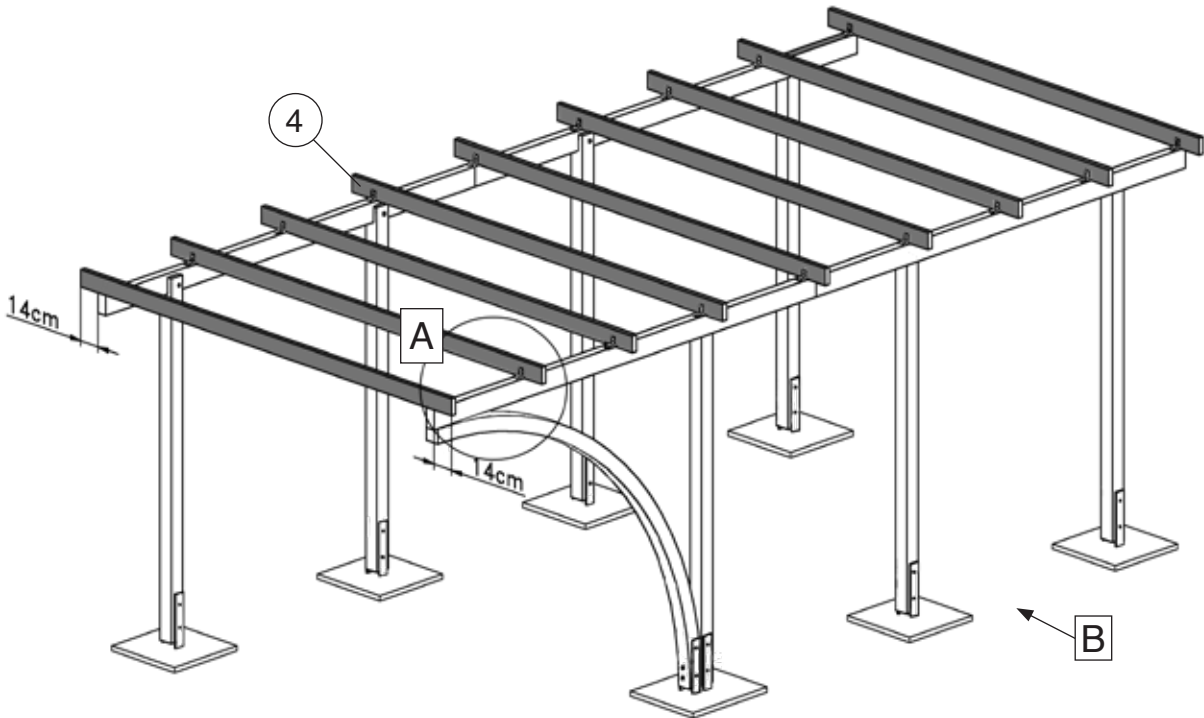
| | |
|---|-----------|
|  | M18 14/48 |
|---|-----------|



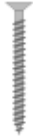
5

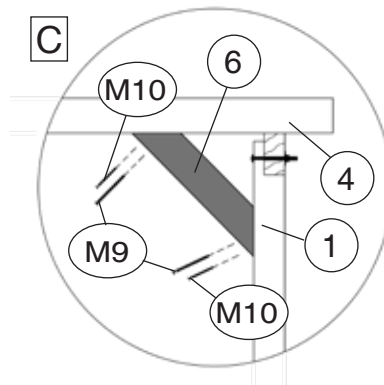
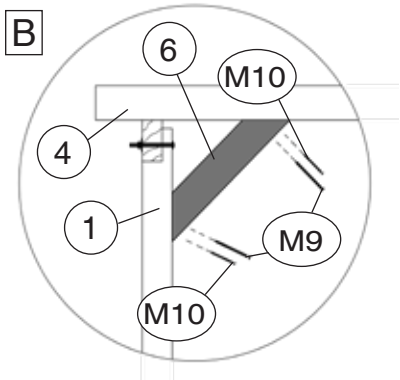
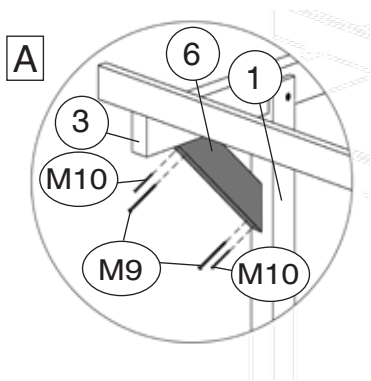
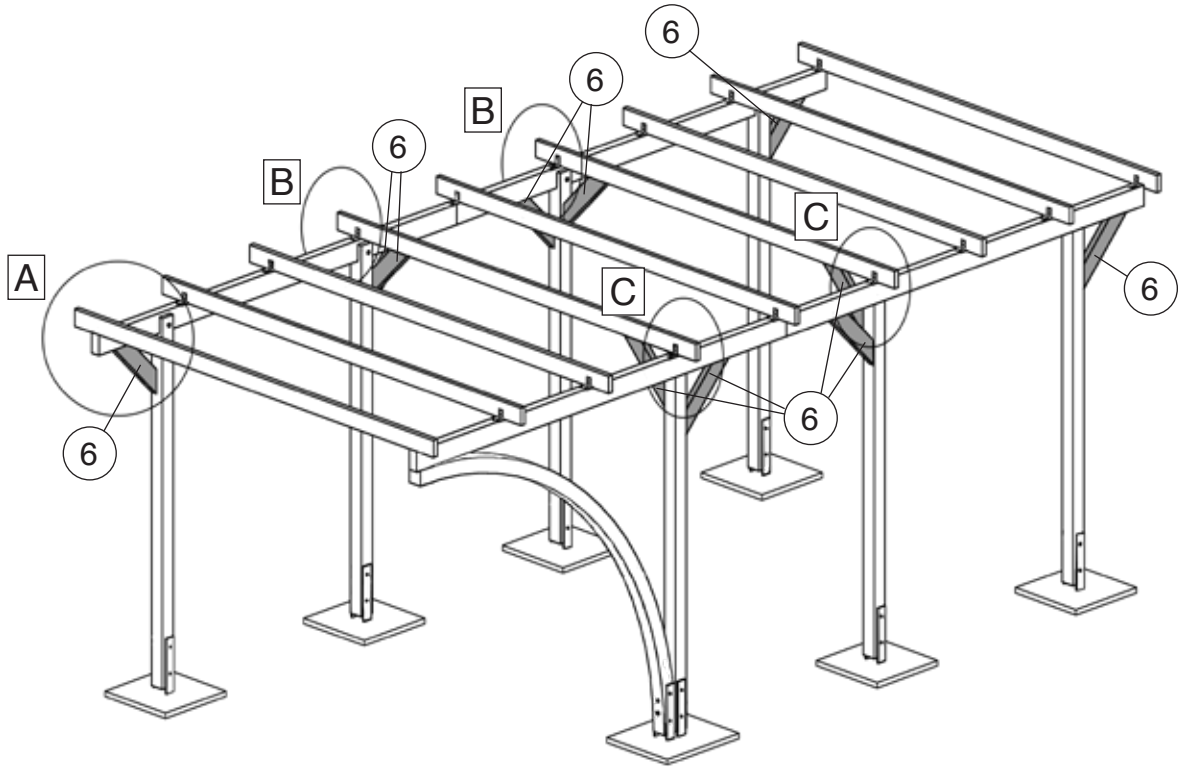
| | |
|---|-------------|
|  | M7 5,0 x 20 |
| | M8 5,0 x 40 |

| | |
|---|-------------|
|  | M6 50/50/40 |
| | |

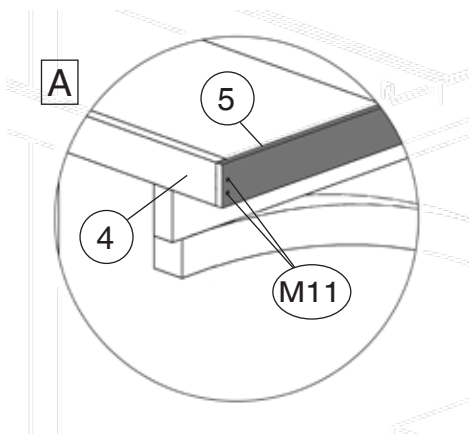
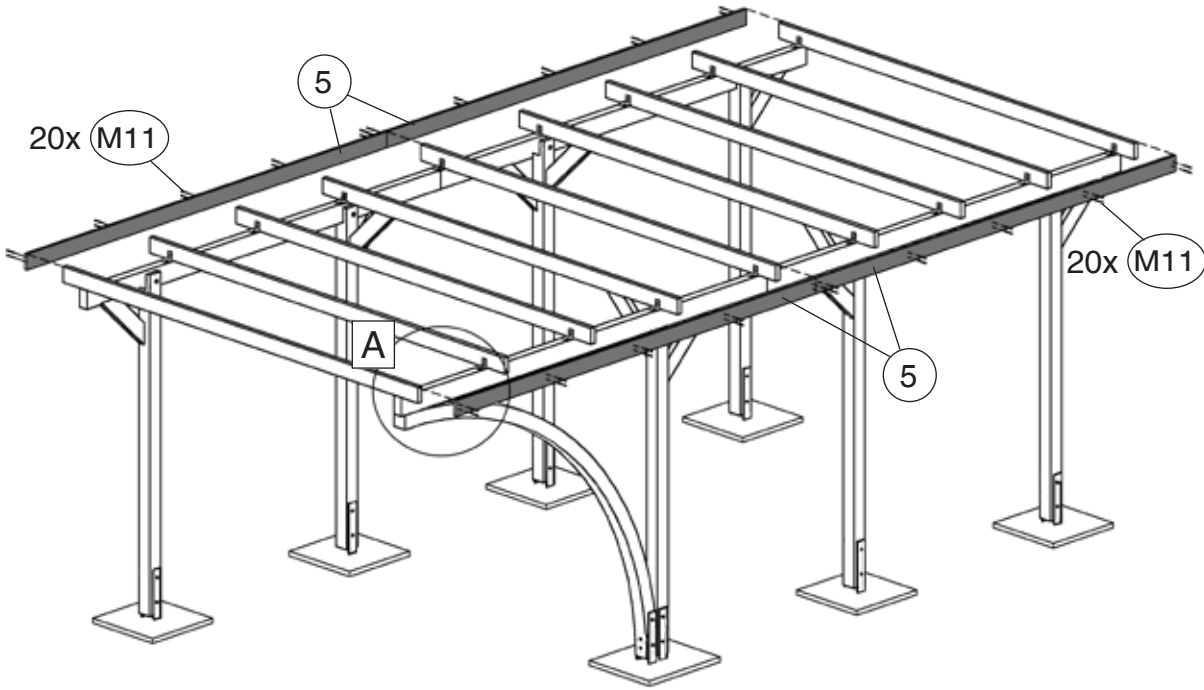
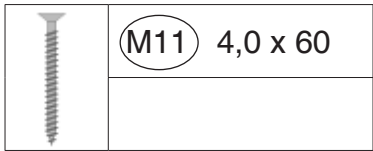


6

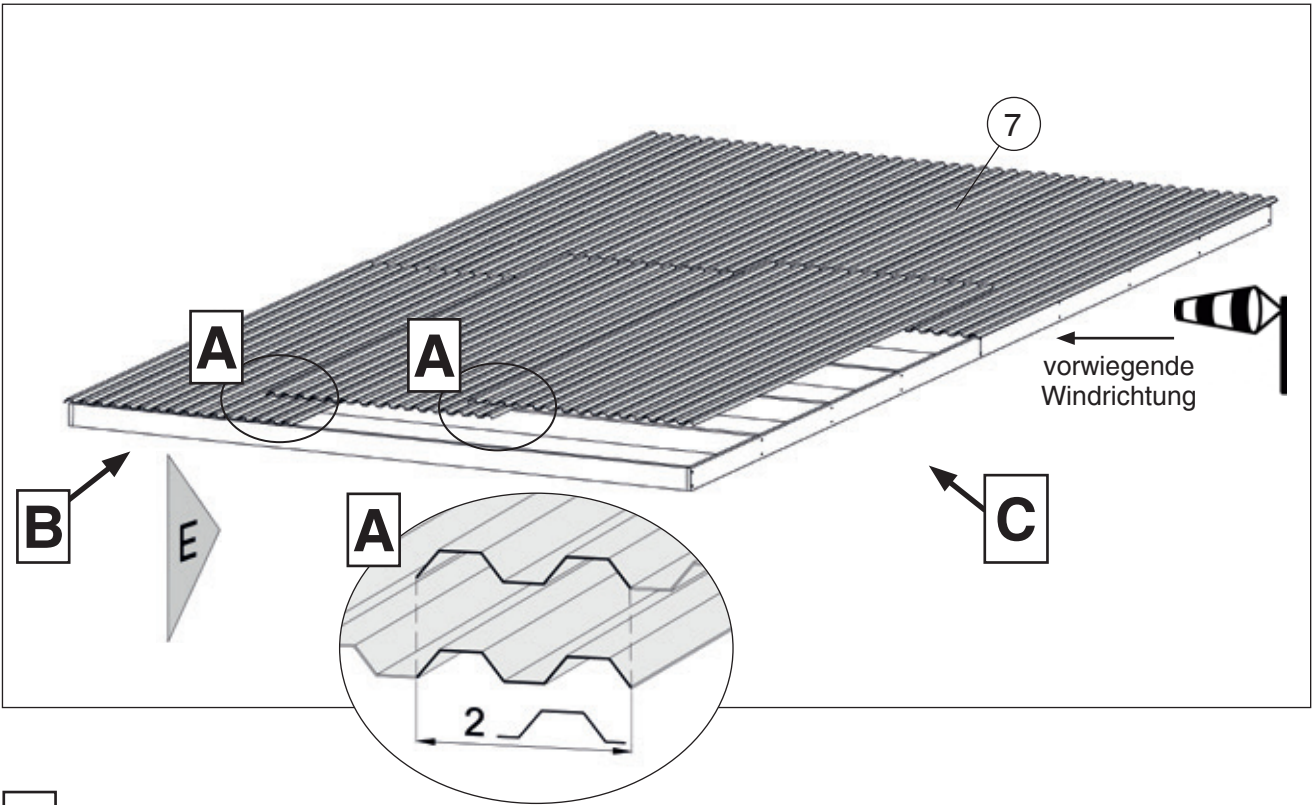
| | |
|---|--------------|
|  | M9 5,0 x 120 |
| | M10 5,0 x 80 |



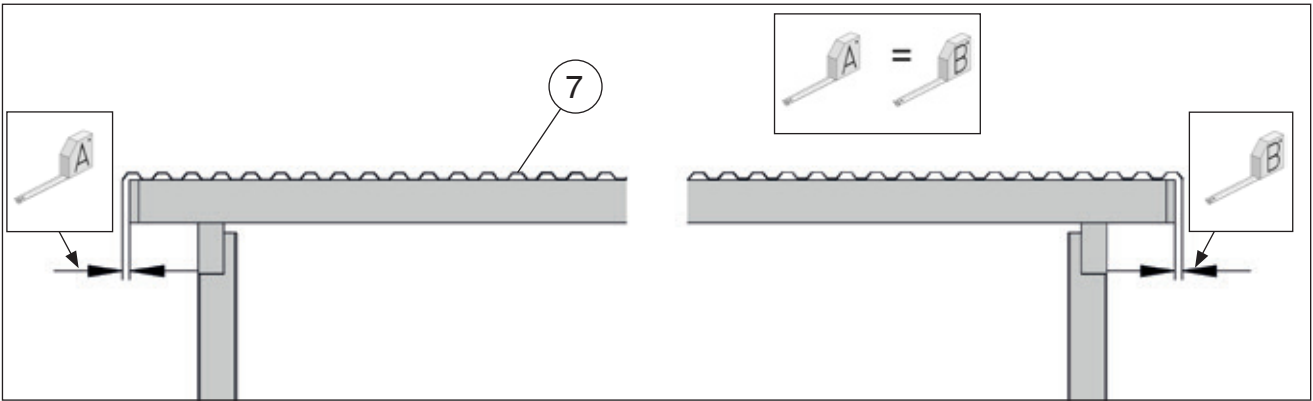
7



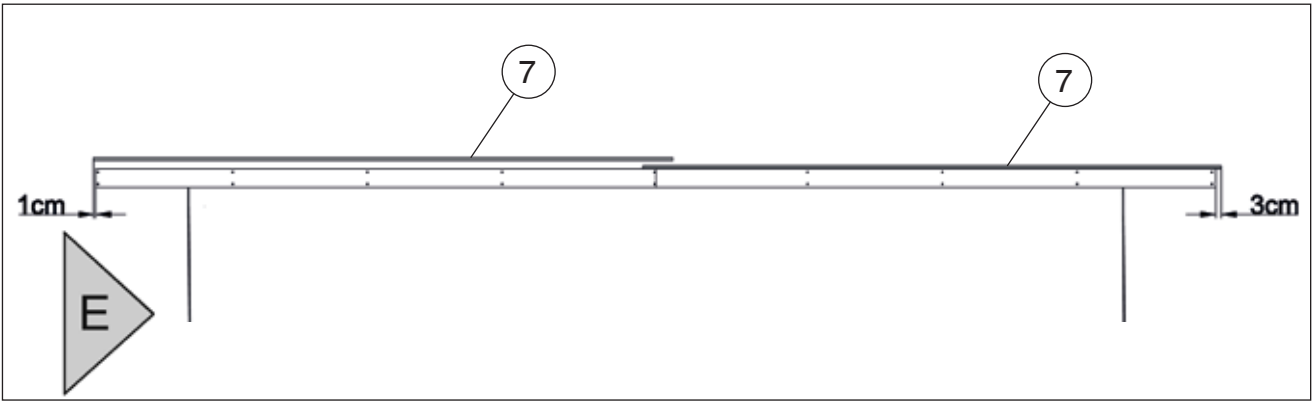
8



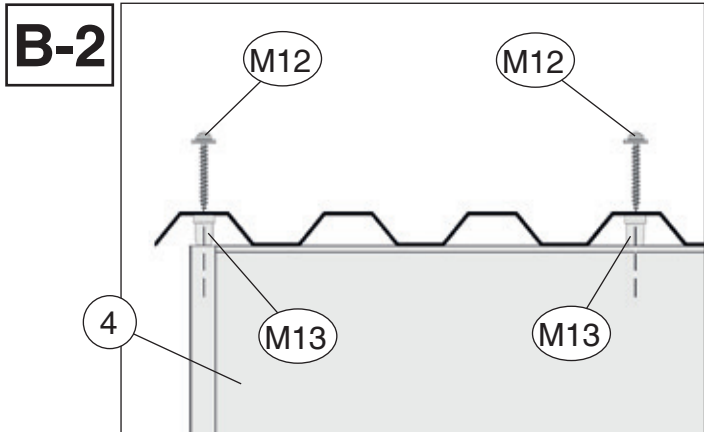
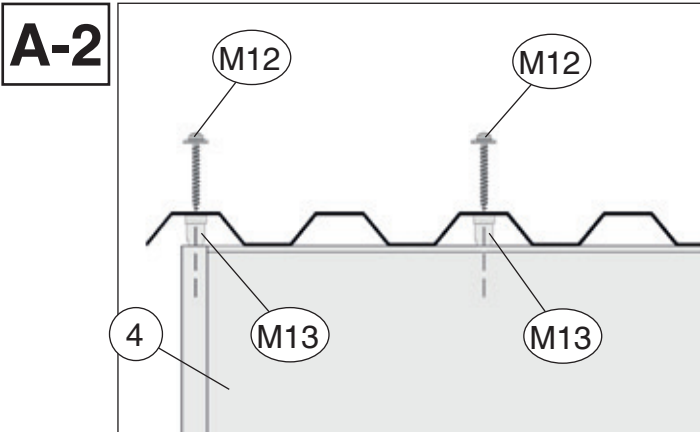
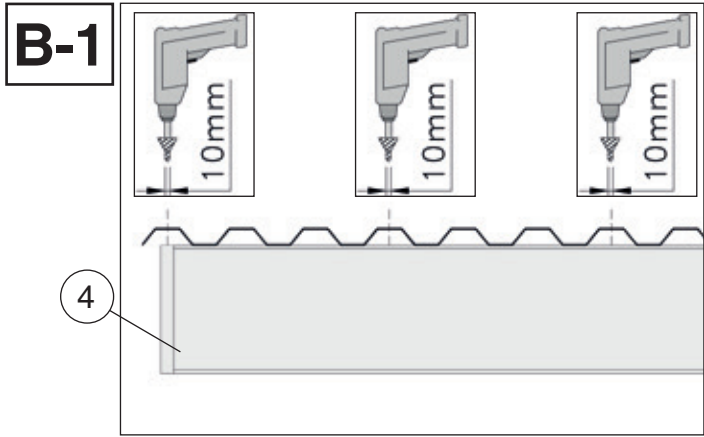
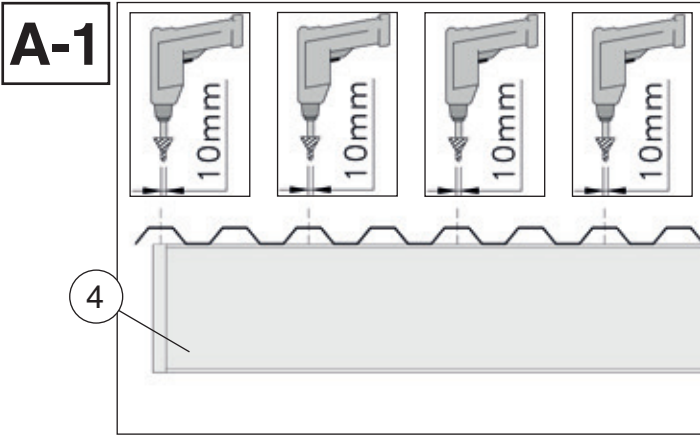
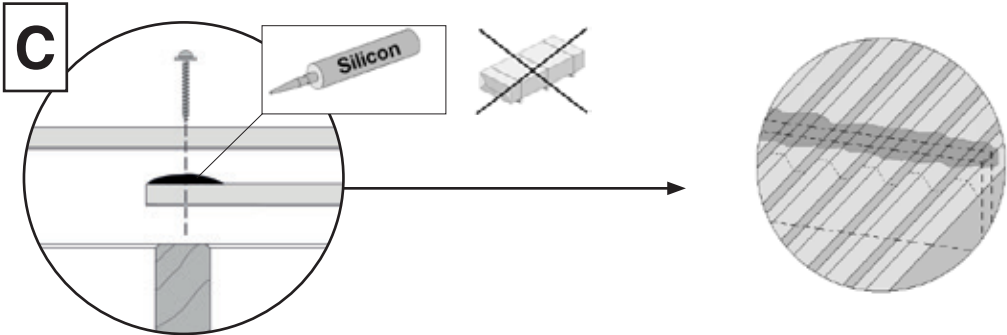
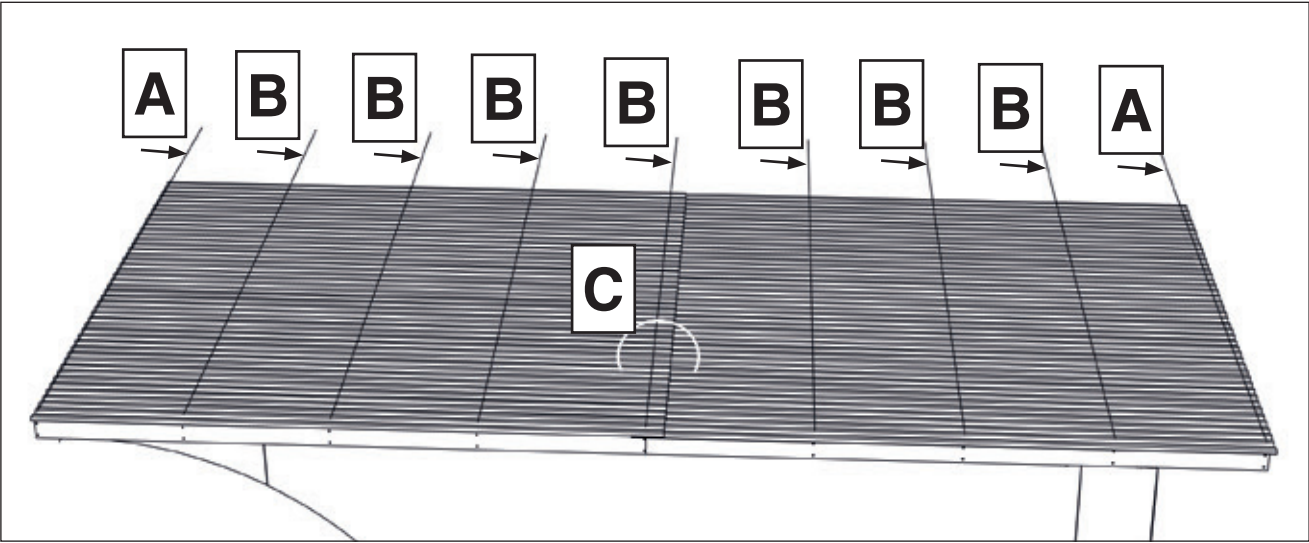
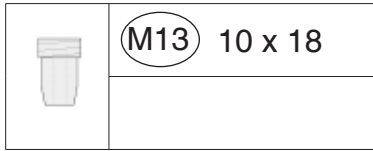
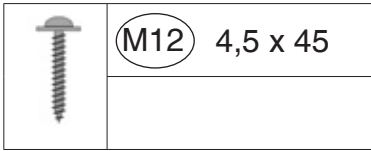
B



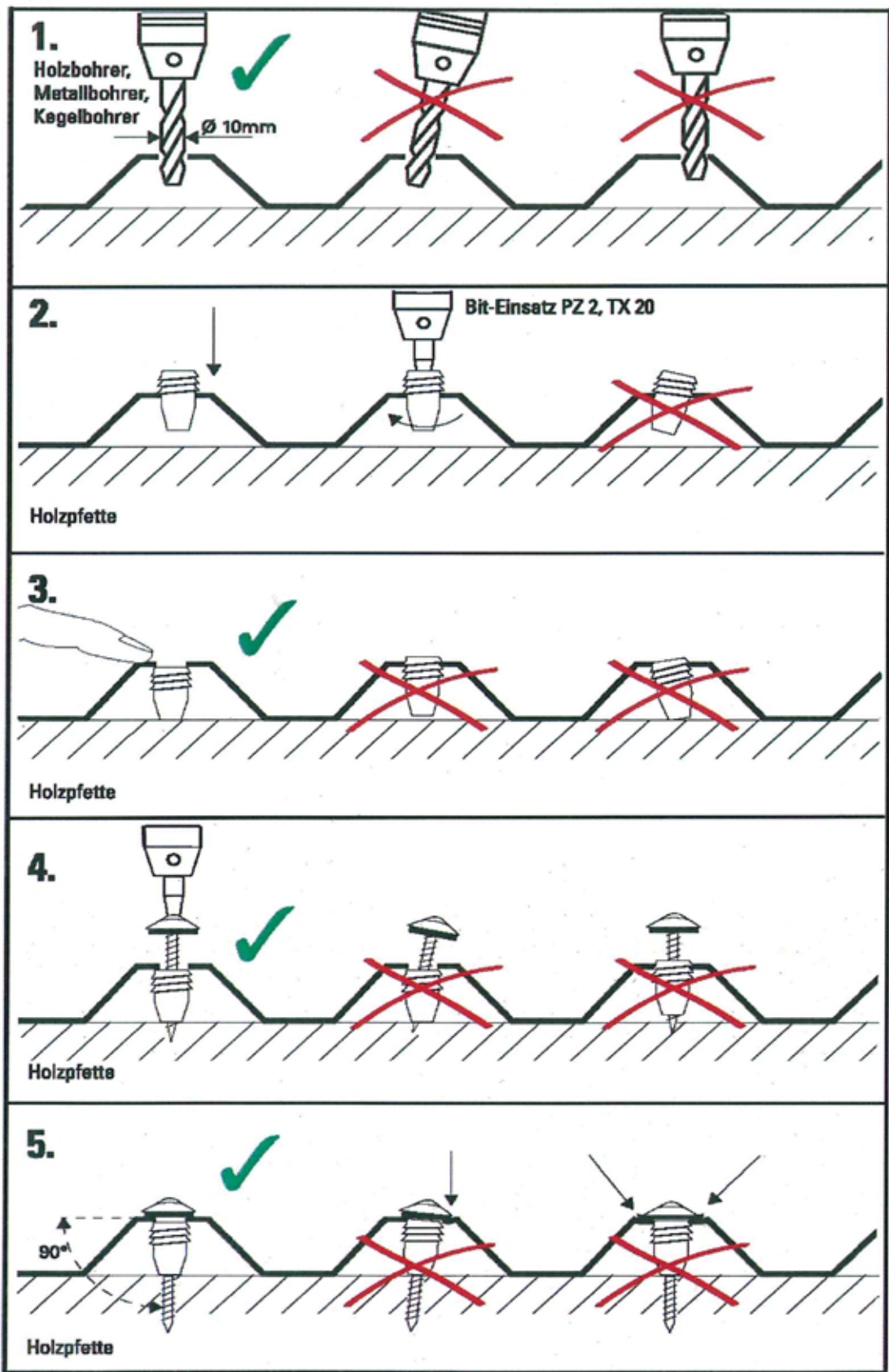
C



9.1



9.2





Technische Änderungen vorbehalten!

weka Holzbau GmbH,
Johannesstr. 16
D-17034 Neubrandenburg
Tel. : +49 (0)395 42908-0
Fax : +49 (0)395 42908-83

MA Art.-Nr.: 800.0286.08.80

© Copyright HRB 3662