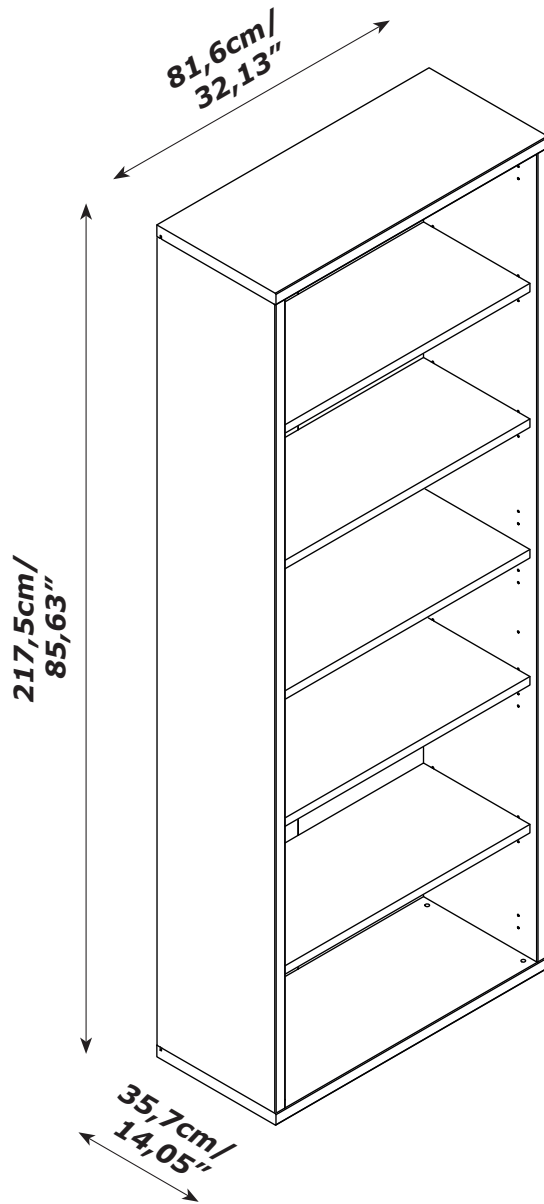


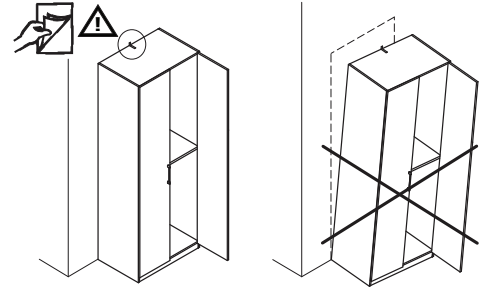
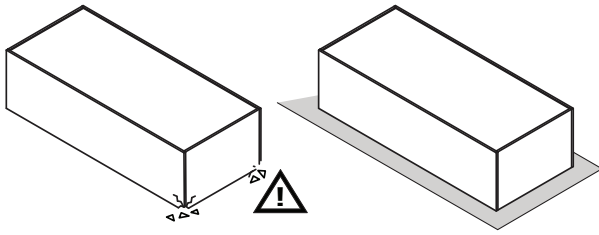
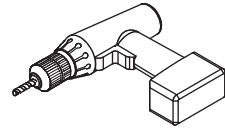
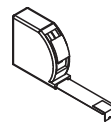
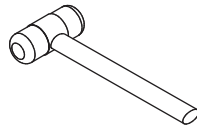
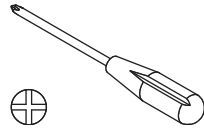
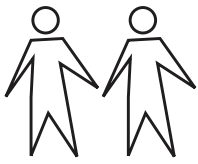
LB4801



MIX
Wood from
responsible sources
FSC® C011298



QF5809



IT IS RECOMMENDED THAT THE ANTI-TIP KIT INCLUDED WITH THIS PRODUCT BE INSTALLED FOR ADDED SAFETY AND STABILITY.

IT IS ESSENTIAL TO USE WALL ANCHORS APPROPRIATE FOR YOUR WALL TYPE (I.E. PLASTER, DRY-WALL, CONCRETE, ETC.), ALONG WITH APPROPRIATE SCREWS, FOR PROPER MOUNTING. THE SCREWS INCLUDED IN THIS ANTI-TIP KIT MAY NOT BE SUITED FOR ALL WALL TYPES. MOUNTING TO WOOD STUDS IS RECOMMENDED. CONSULT A QUALIFIED PROFESSIONAL OR YOUR LOCAL HARDWARE STORE FOR APPROPRIATE MOUNTING HARDWARE SUITED FOR YOUR SPECIFIC WALL MEDIUM.

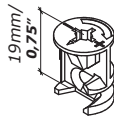
BU4885



P25
x4



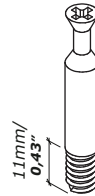
H118
x4



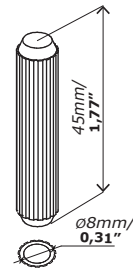
T97
x4



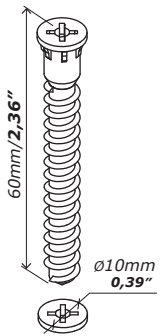
T7
x4



T28
x8



H325
x12



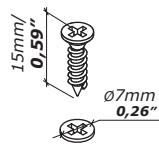
V57
x4



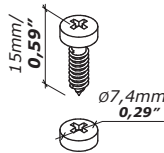
R40
x16



H2
x20



V5
x20



V81
x2



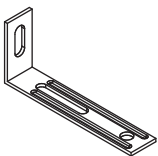
G171
x22



G198
x4



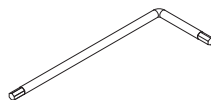
G199
x4



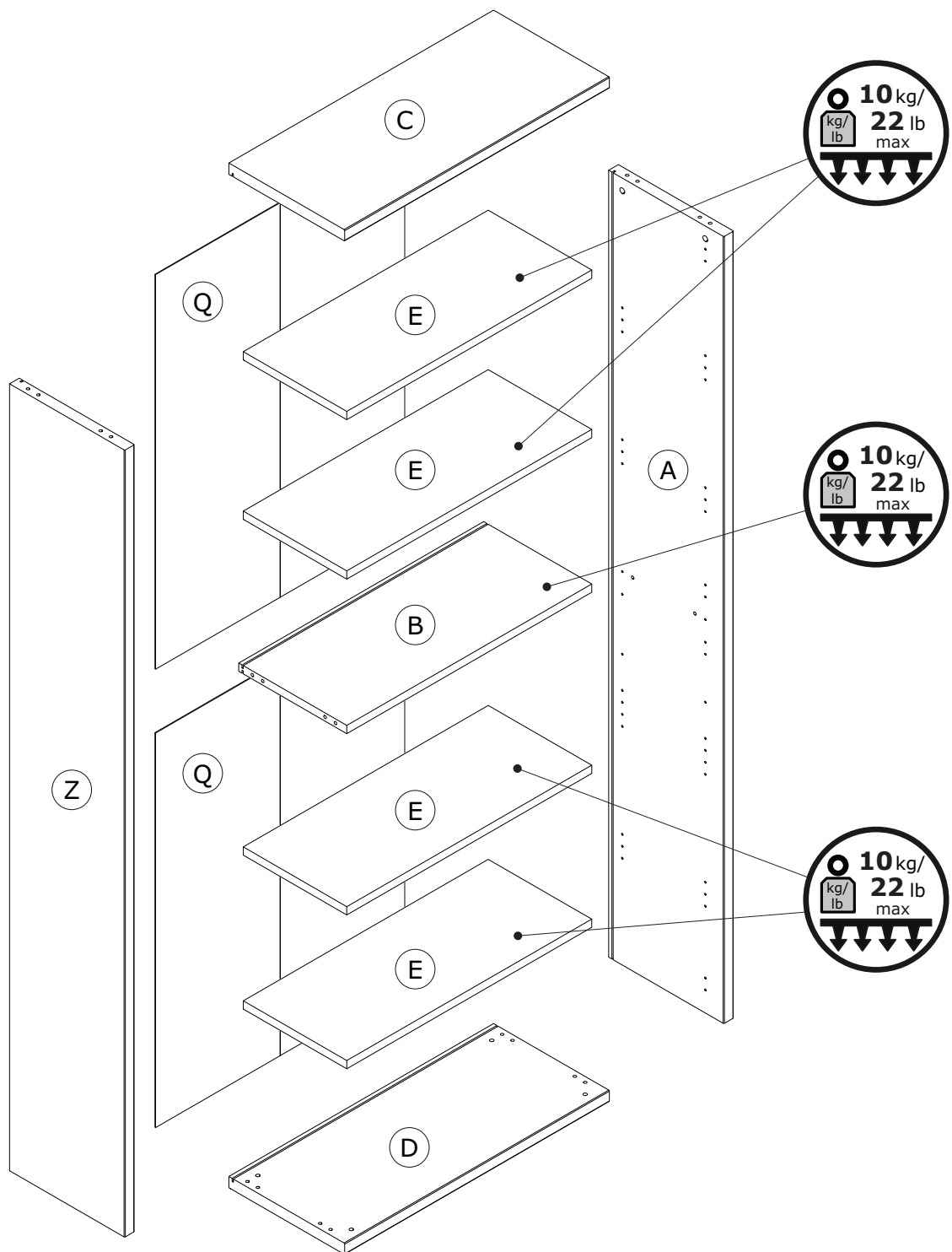
H185
x1

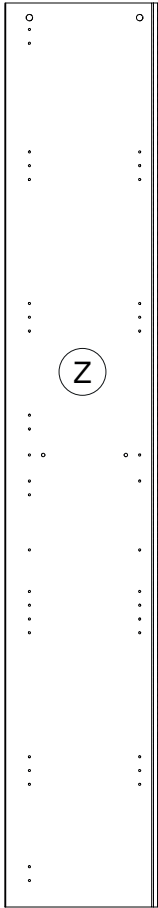


H129
x2

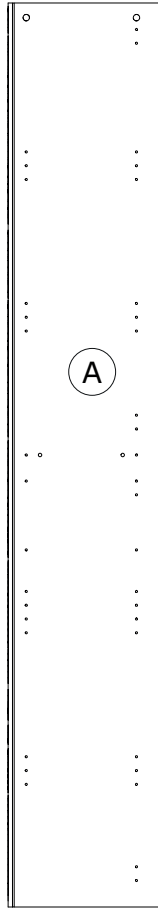


H138
x1

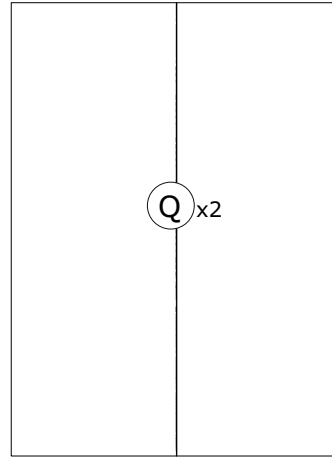




F19312
2100x355x30mm/
82,68"x13,98"x1,18"

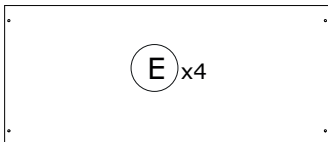


F19313
2100x355x30mm/
82,68"x13,98"x1,18"

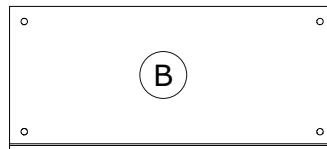


SH3790
1053x768x2mm/
41,45"x30,23"x0,079"

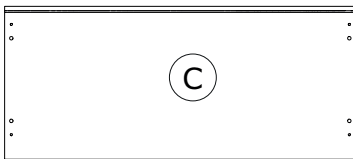
BOX 1/2



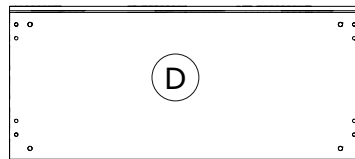
PI7561
755x319x22mm/
29,72"x12,56"x0,87"



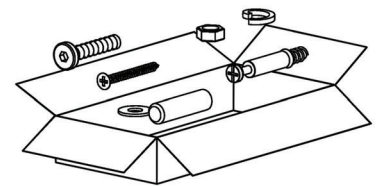
PI7562
755x319x22mm/
29,72"x12,56"x0,87"



CA3905
816x357x30mm/
32,13"x14,05"x1,18"



BA2398
816x357x30mm/
32,13"x14,05"x1,18"

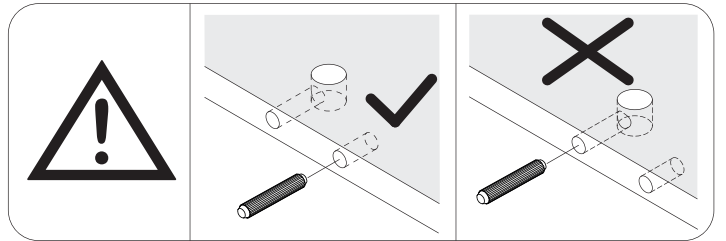
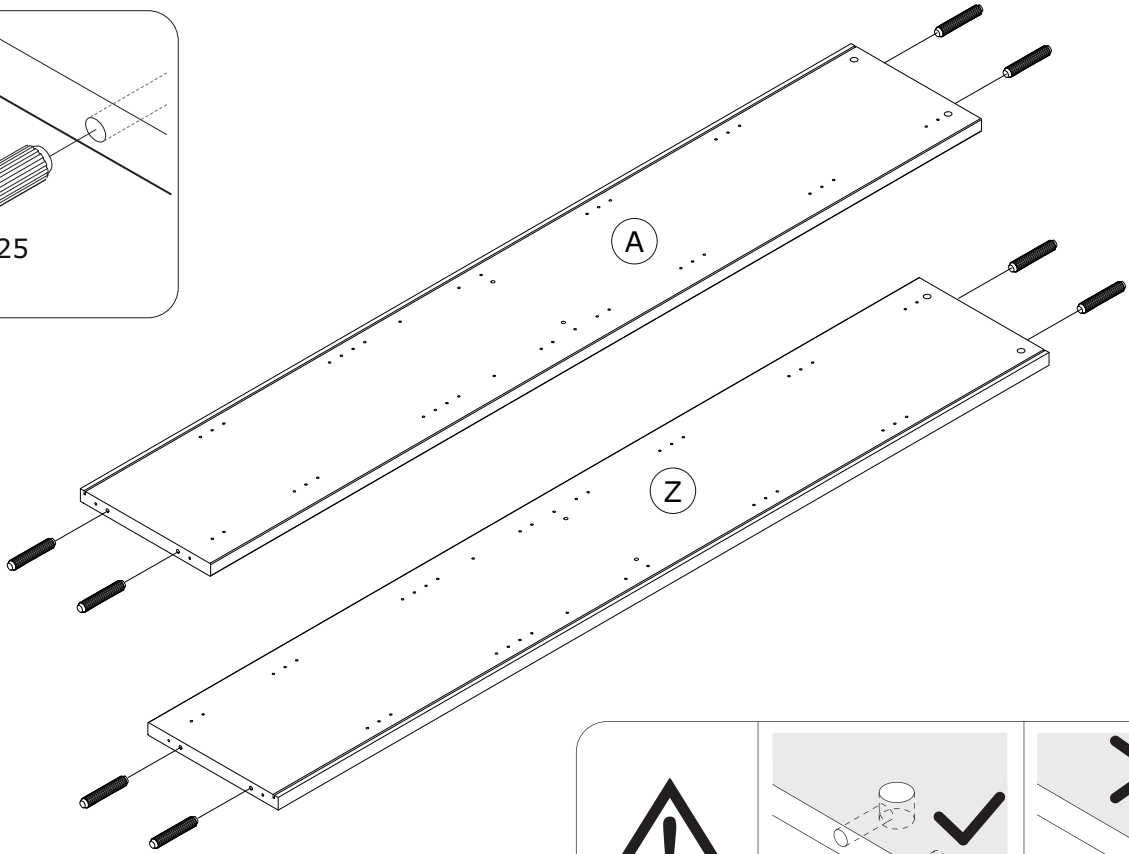
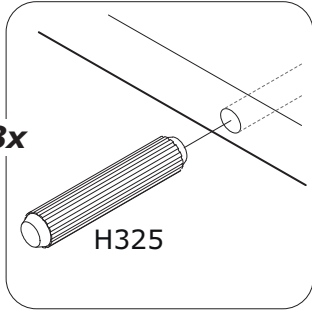
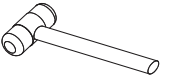


BOX 2/2

1

8x

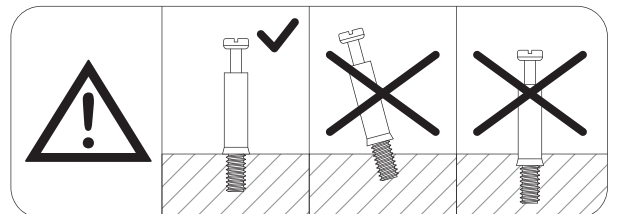
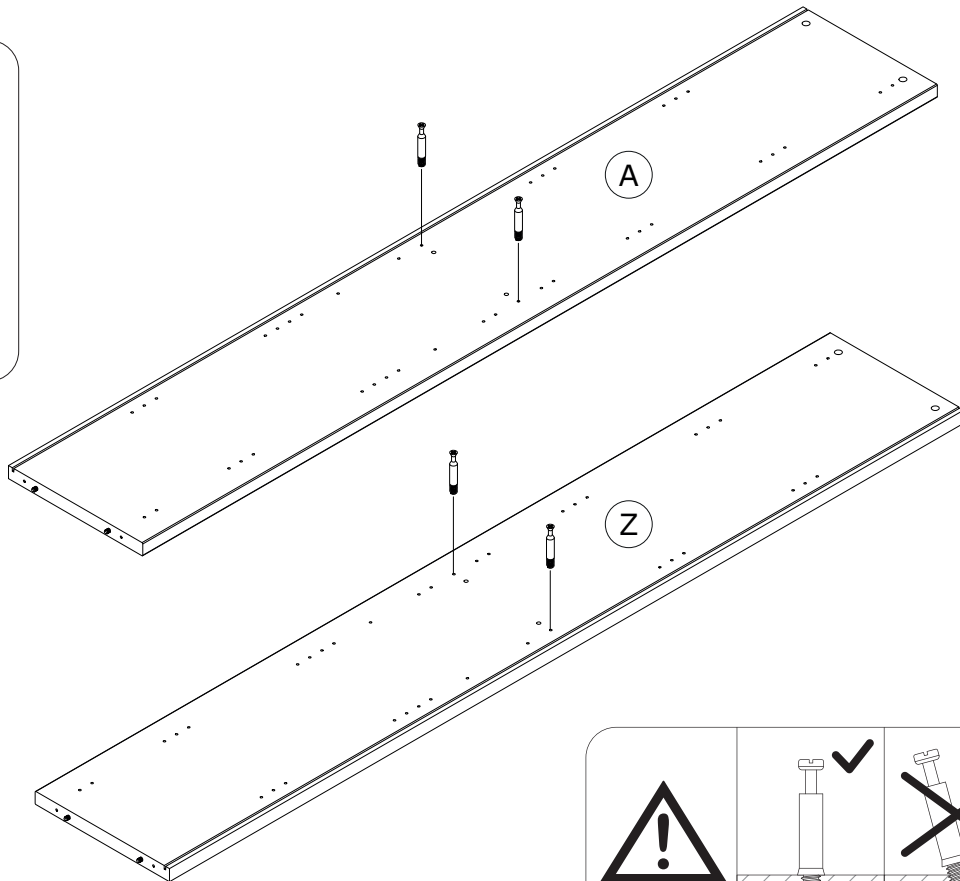
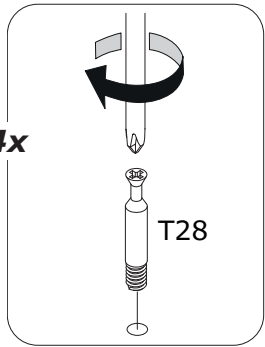
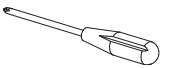
H325



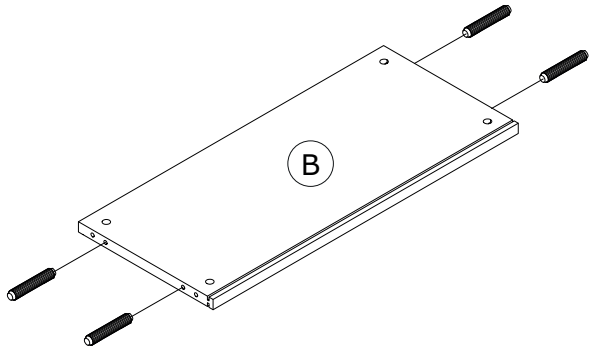
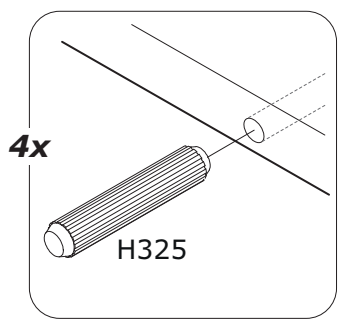
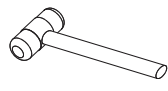
2

4x

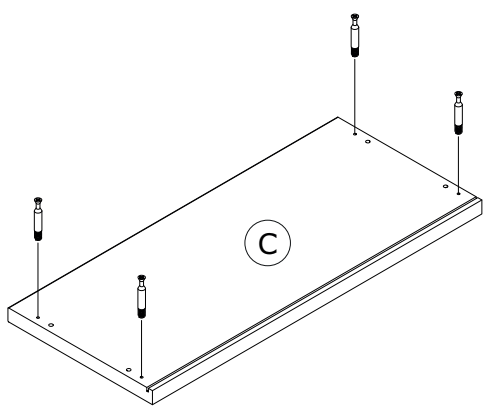
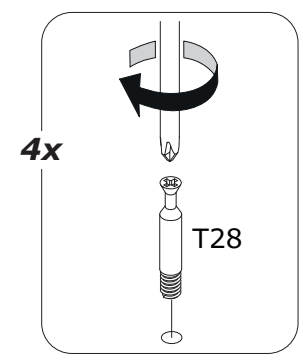
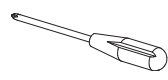
T28



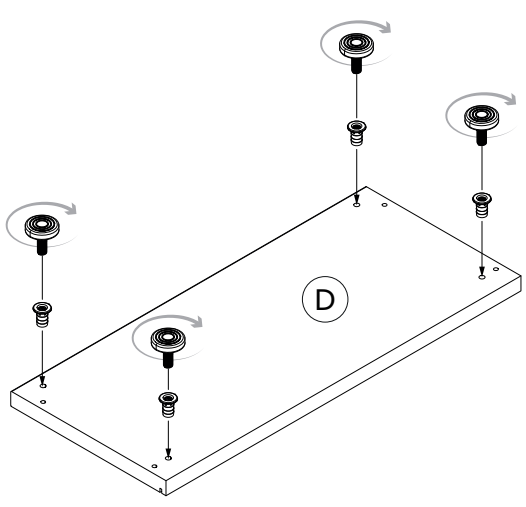
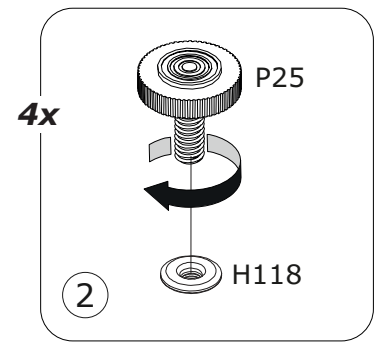
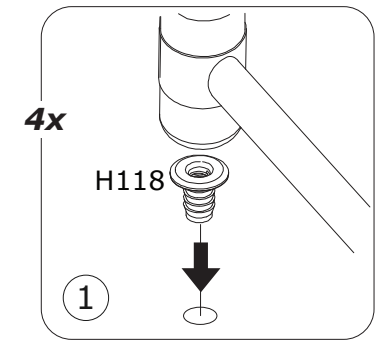
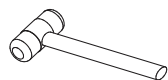
3



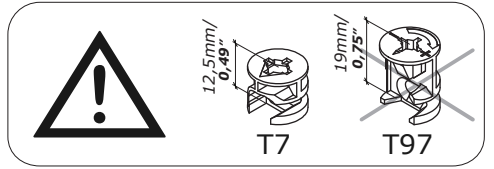
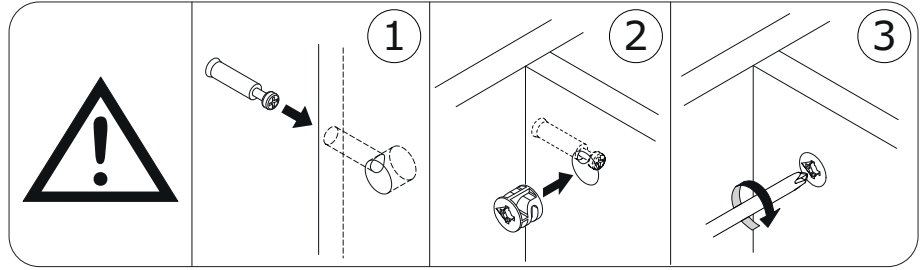
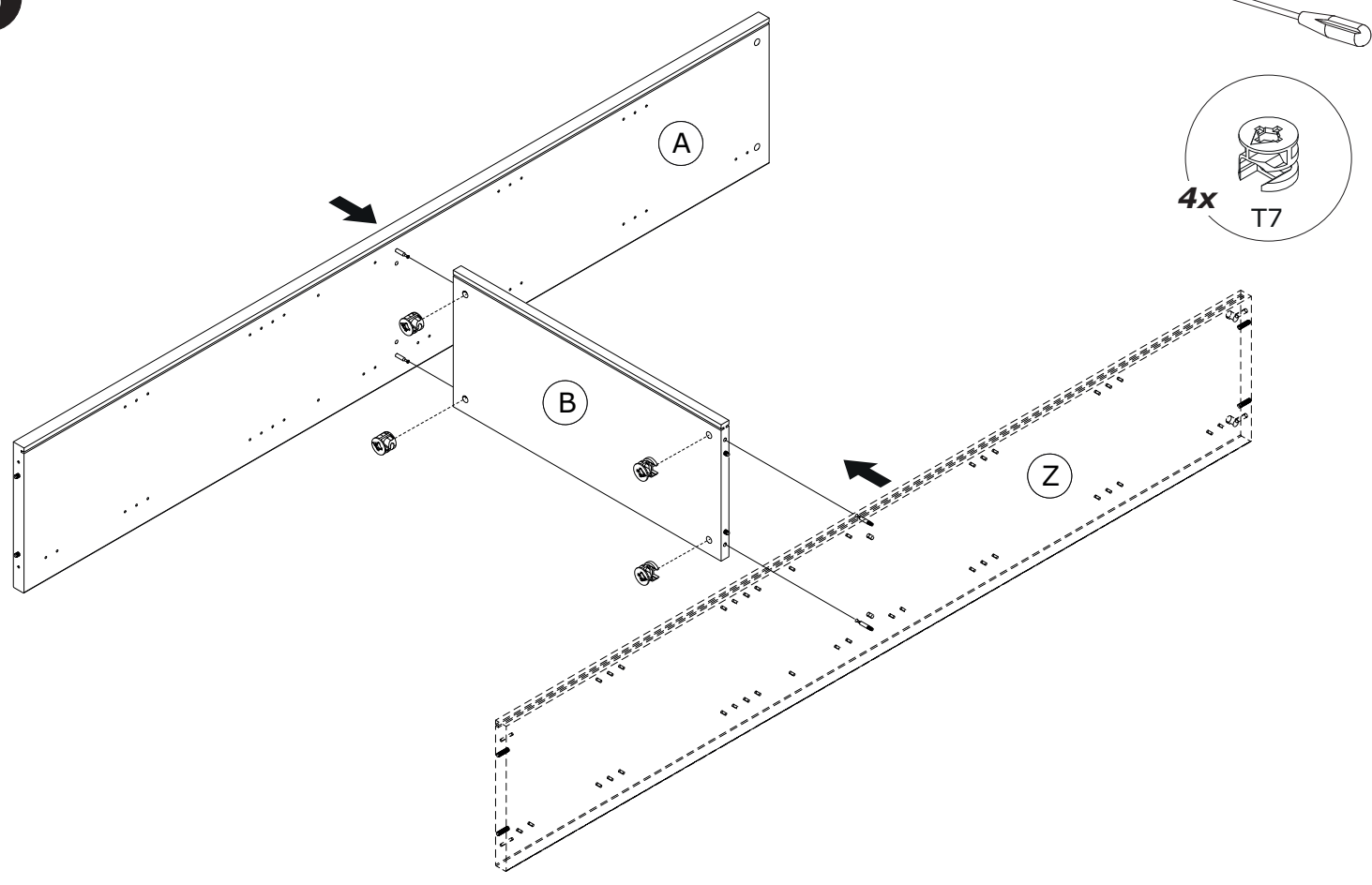
4



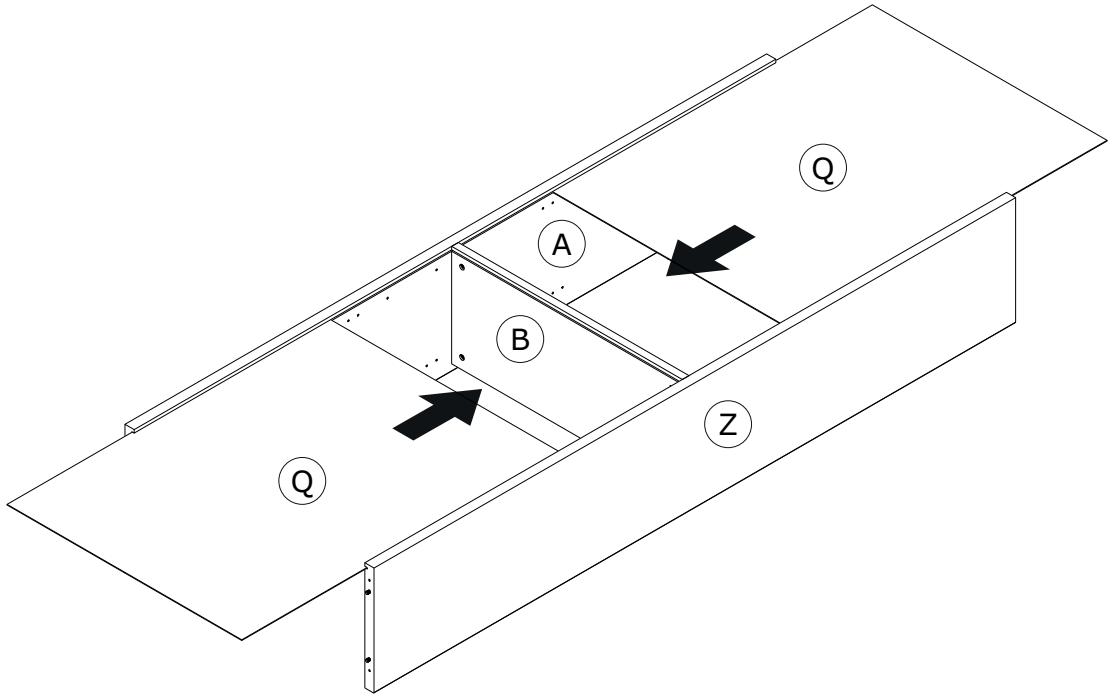
5



6



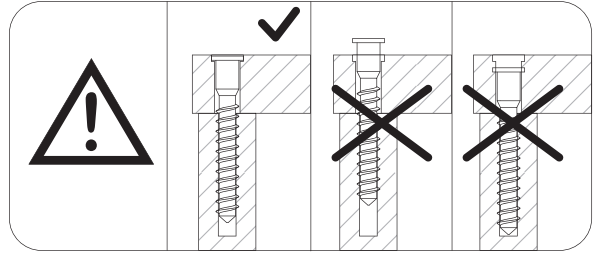
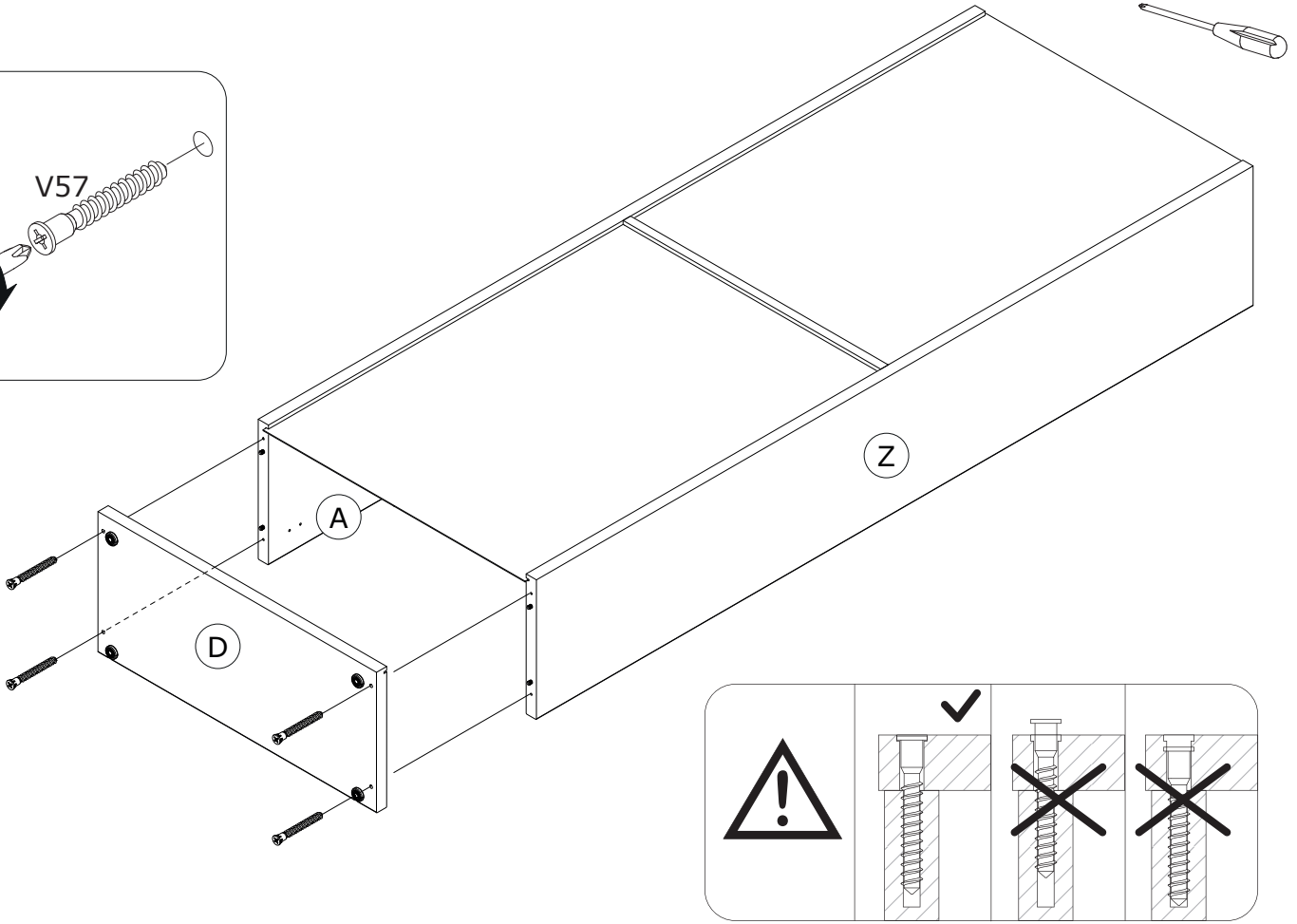
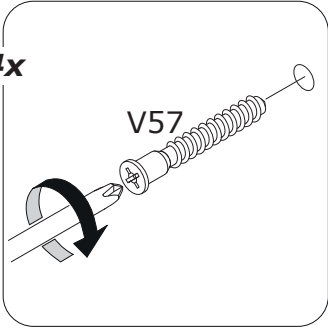
7



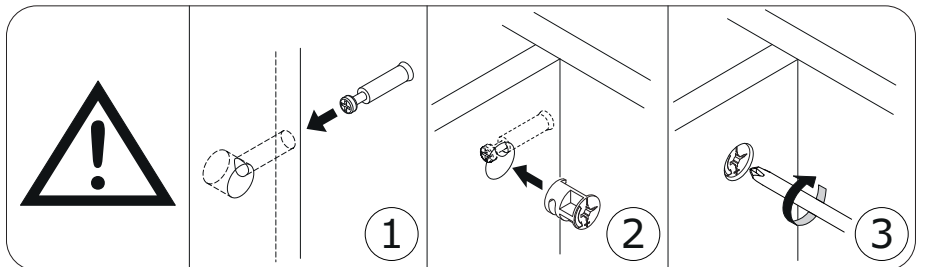
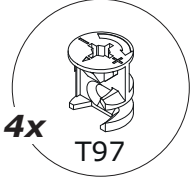
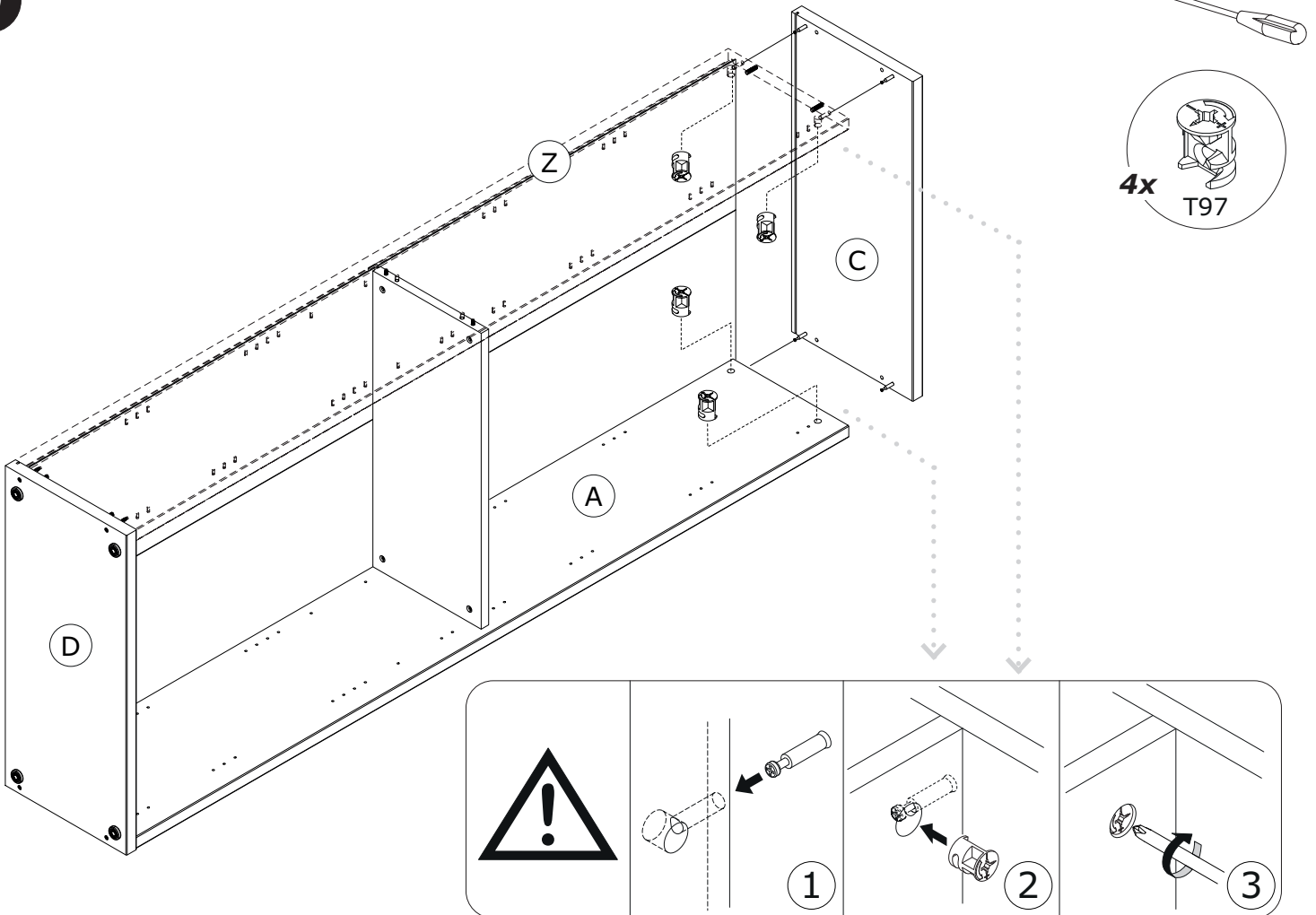
8

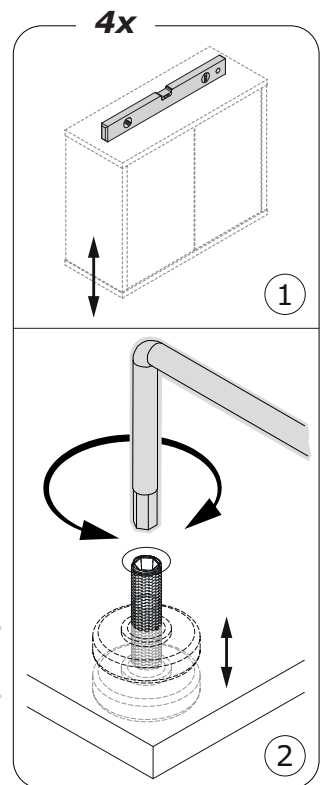
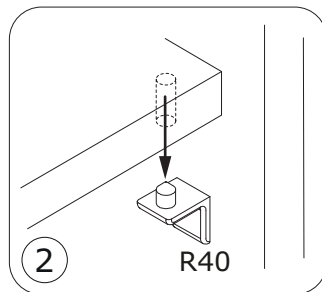
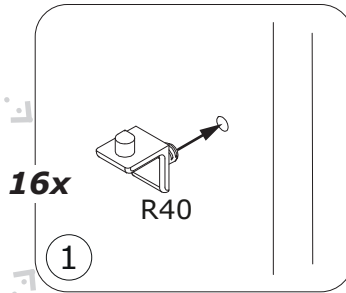
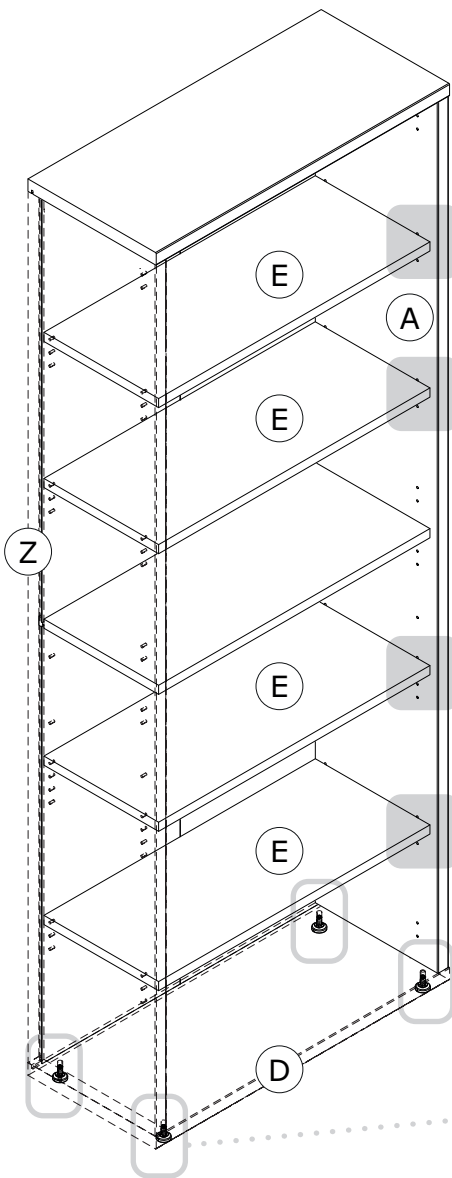
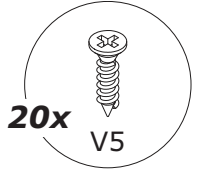
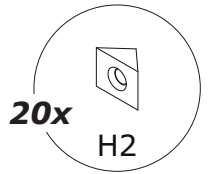
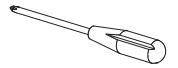
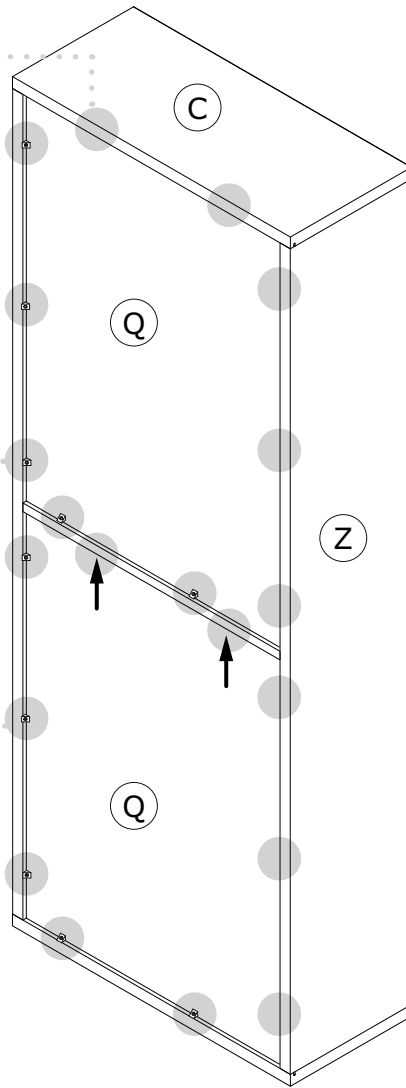
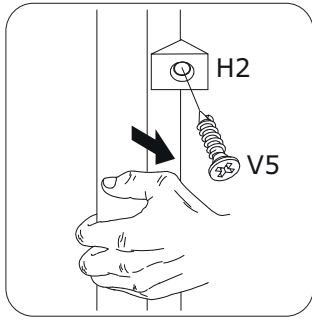
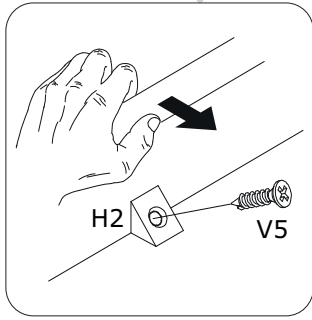
4x

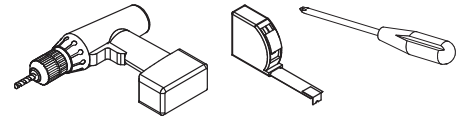
V57



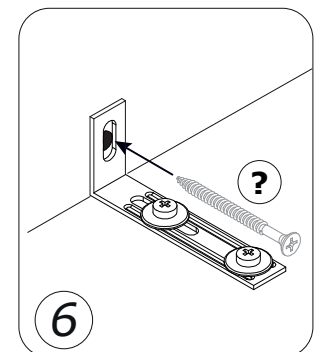
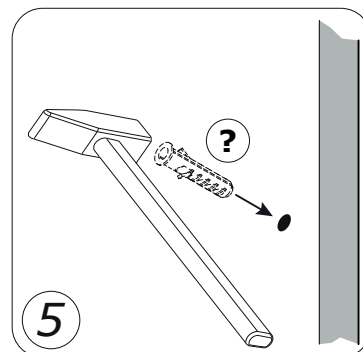
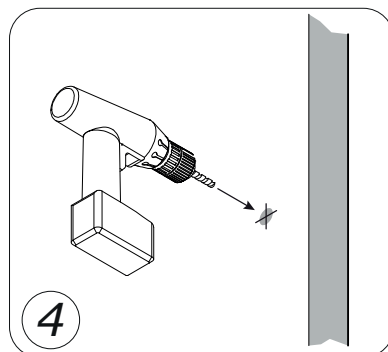
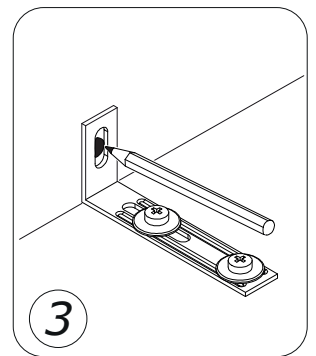
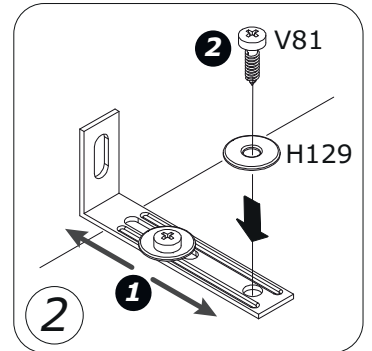
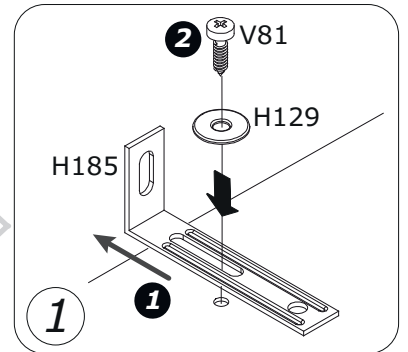
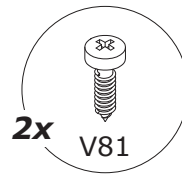
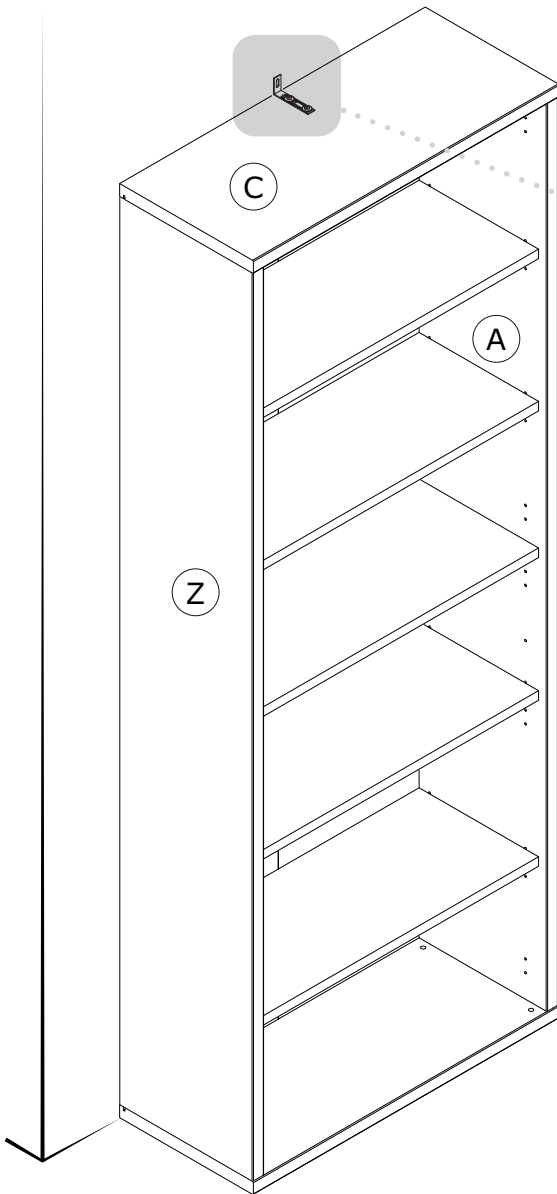
9

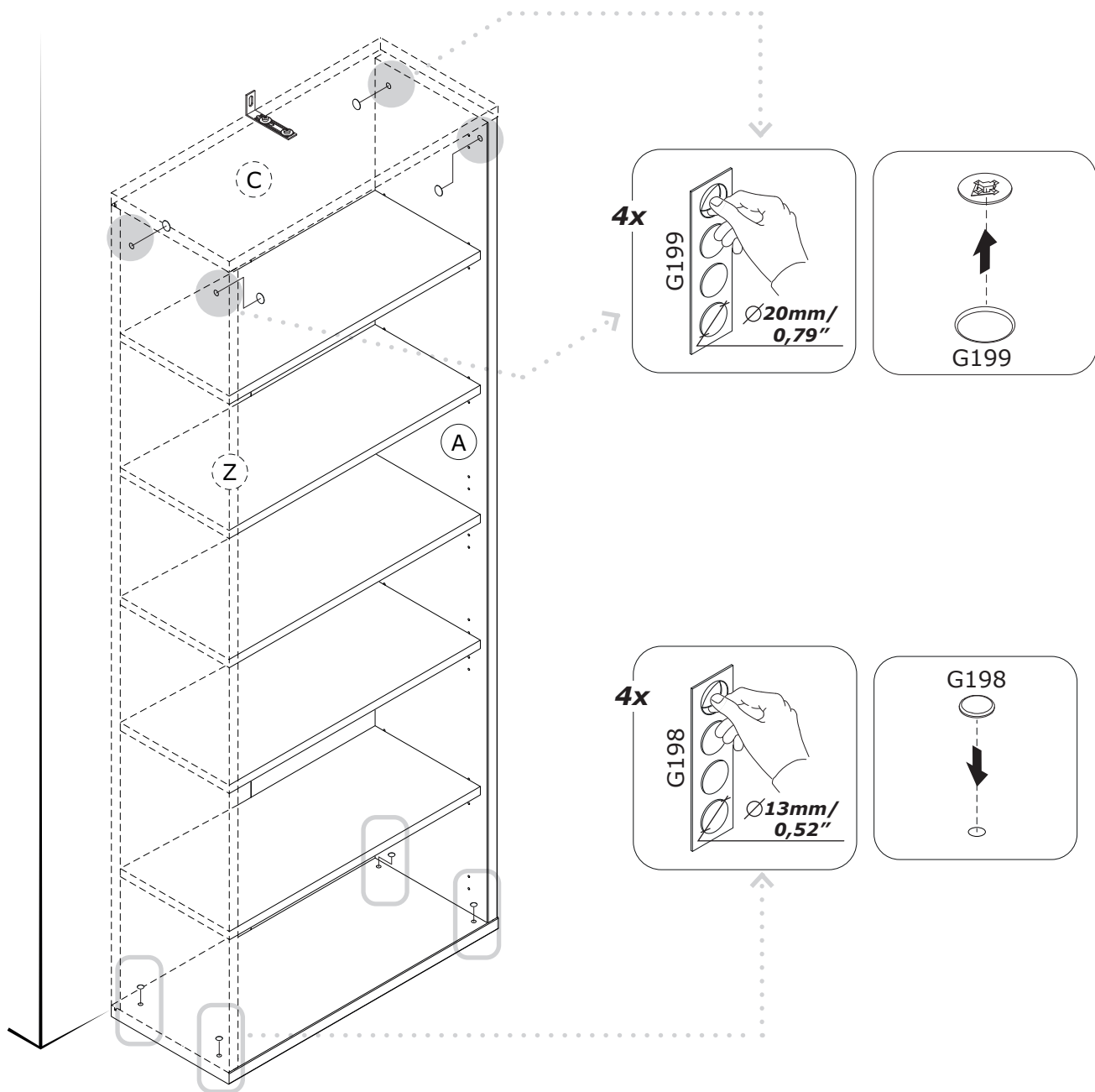


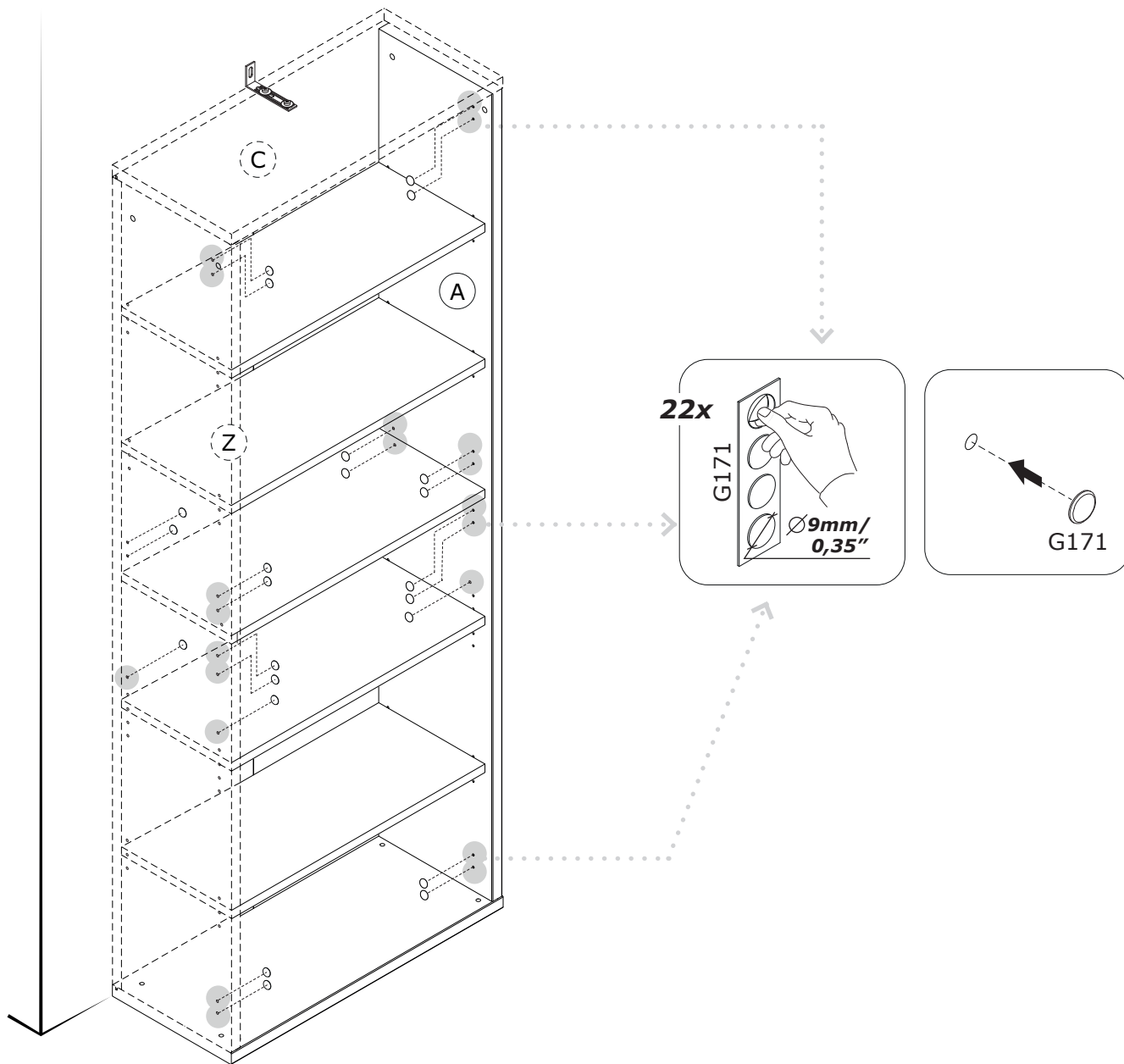




IT IS RECOMMENDED THAT THE ANTI-TIP KIT INCLUDED WITH THIS PRODUCT BE INSTALLED FOR ADDED SAFETY AND STABILITY.
 IT IS ESSENTIAL TO USE WALL ANCHORS APPROPRIATE FOR YOUR WALL TYPE (I.E. PLASTER, DRY-WALL, CONCRETE, ETC.), ALONG WITH APPROPRIATE SCREWS, FOR PROPER MOUNTING.
 THE SCREWS INCLUDED IN THIS ANTI-TIP KIT MAY NOT BE SUITED FOR ALL WALL TYPES.
 MOUNTING TO WOOD STUDS IS RECOMMENDED.
 CONSULT A QUALIFIED PROFESSIONAL OR YOUR LOCAL HARDWARE STORE FOR APPROPRIATE MOUNTING HARDWARE SUITED FOR YOUR SPECIFIC WALL MEDIUM.



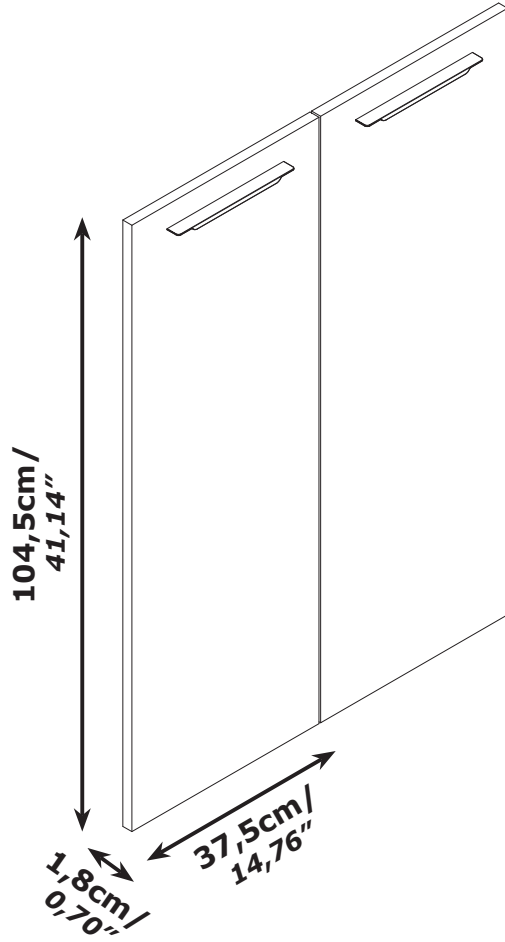




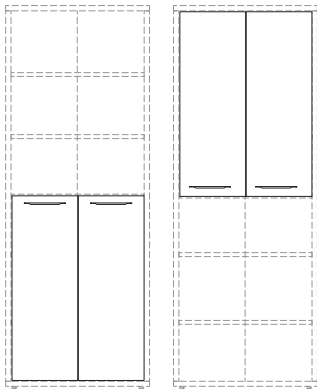
AN4803B



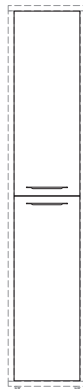
MIX
Wood | Supporting
responsible forestry
FSC® C011298



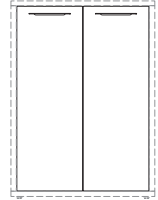
A



B



C



FR
Pensez à
donner ou recycler.



Association

ou



Magasin

ou



Déchèterie

<https://quefairedemesdechets.fr>

QF5198-1

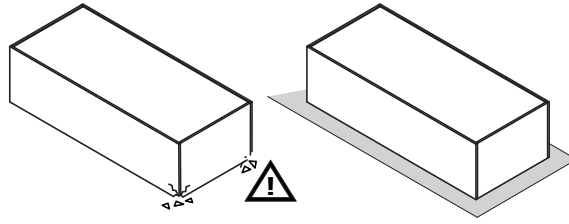
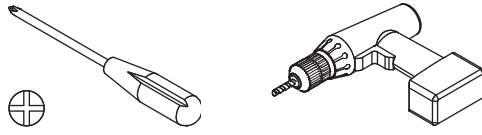
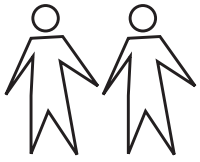


The Eco-Ethical Company

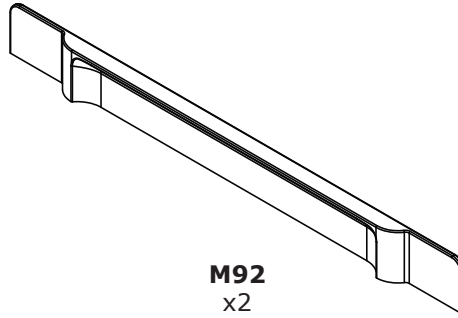


MADE IN ITALY

Produced by COMPOSAD srl, Via Lombardia 29, 46019 Viadana (MN) ITALY



BU2941



M92
x2

BU2927



H113
x4



V137
x4

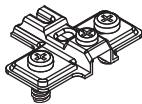


G31
x4

BU0319 x2



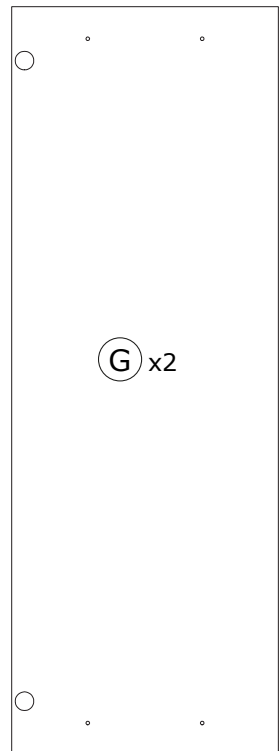
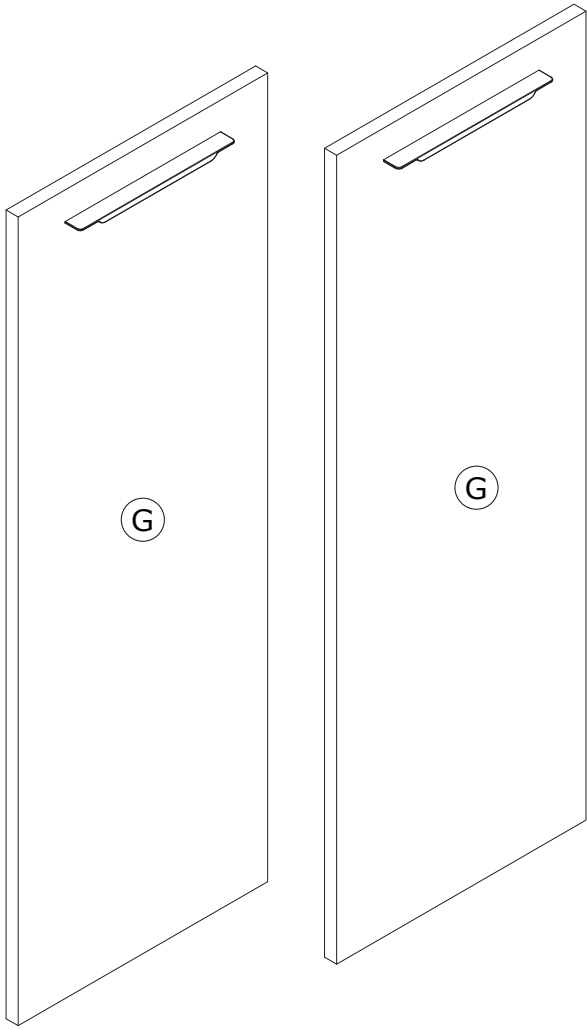
C39
x2



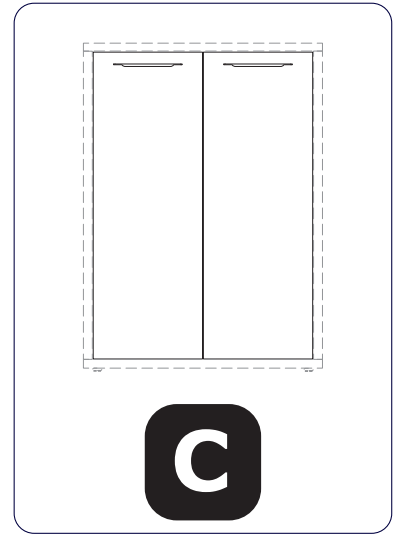
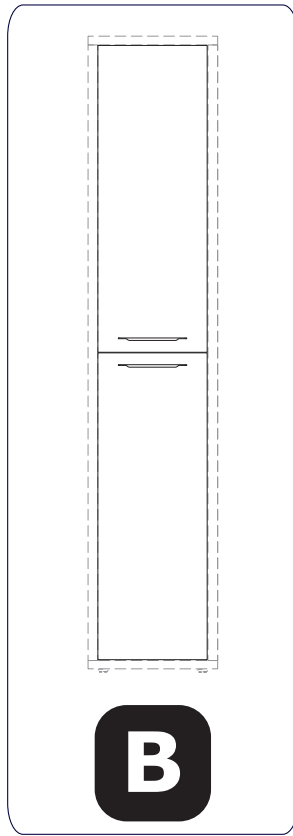
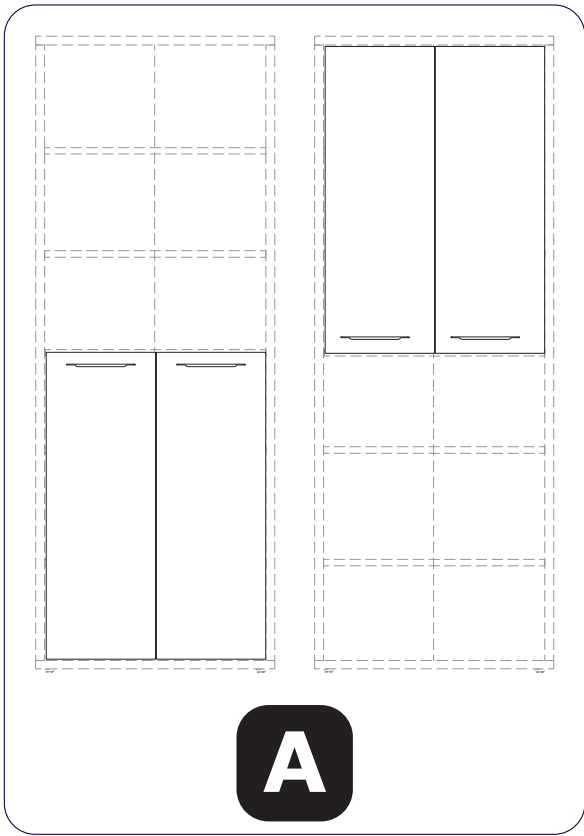
B9
x2



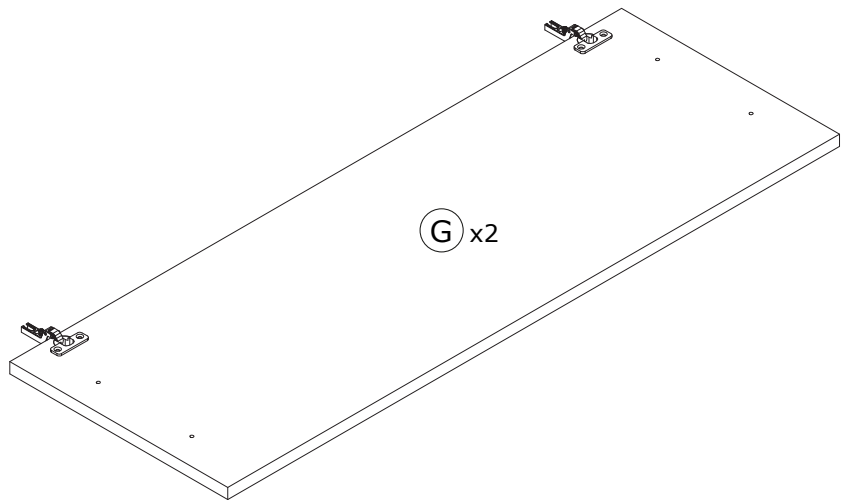
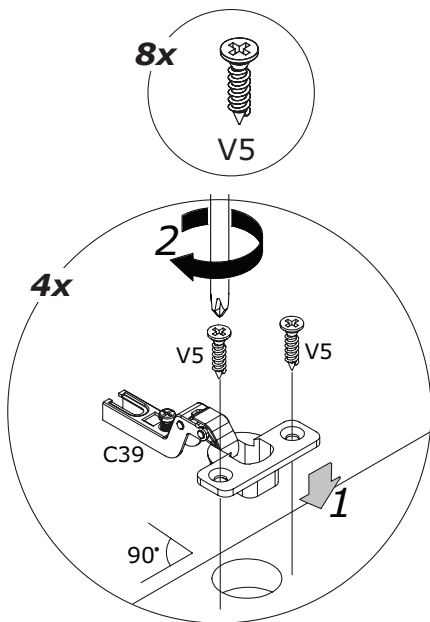
V5
x4

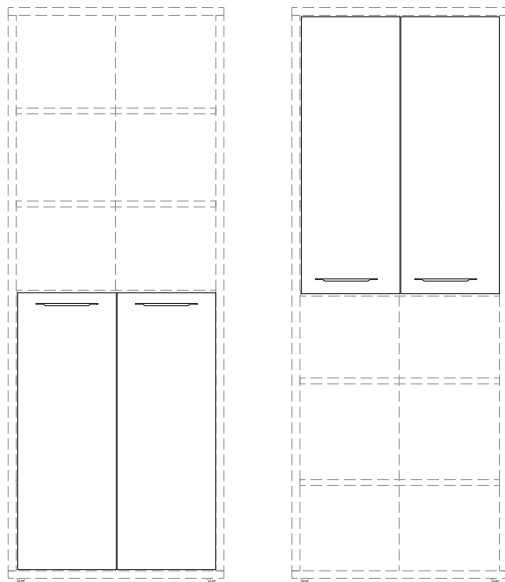


AN2462
1047x373x18mm/
41,22" x 1,68" x 0,71"

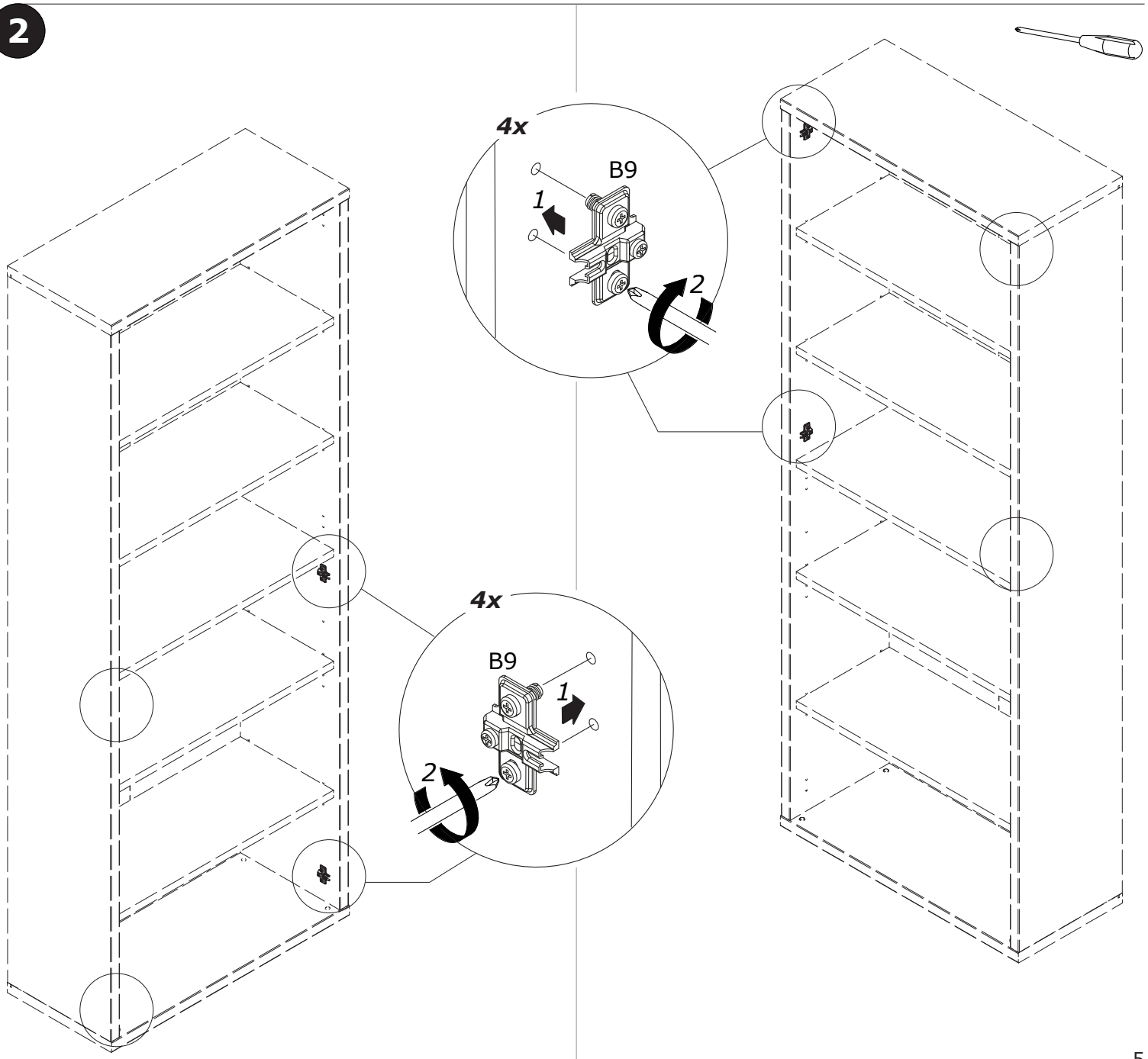


1





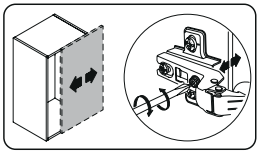
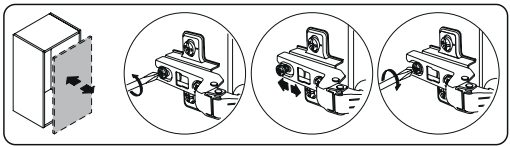
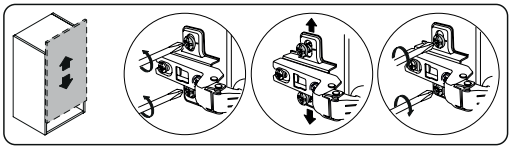
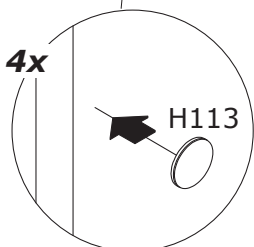
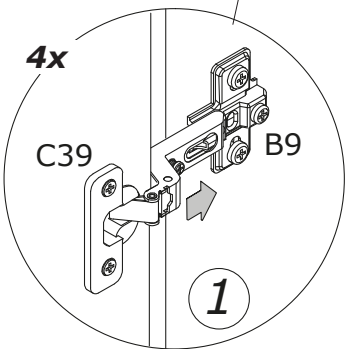
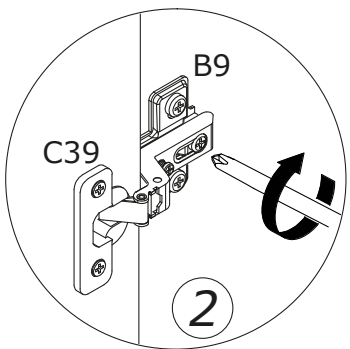
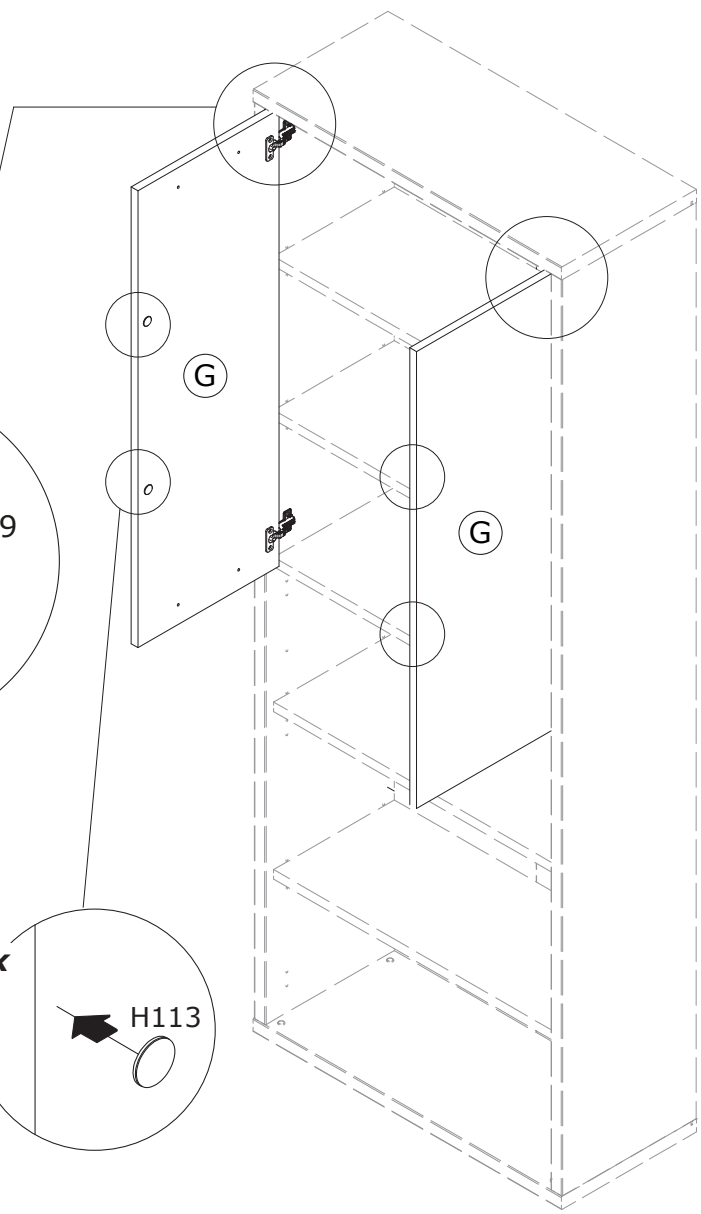
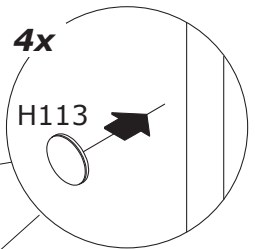
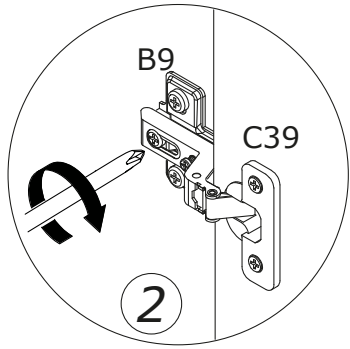
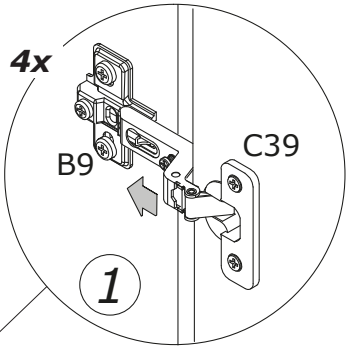
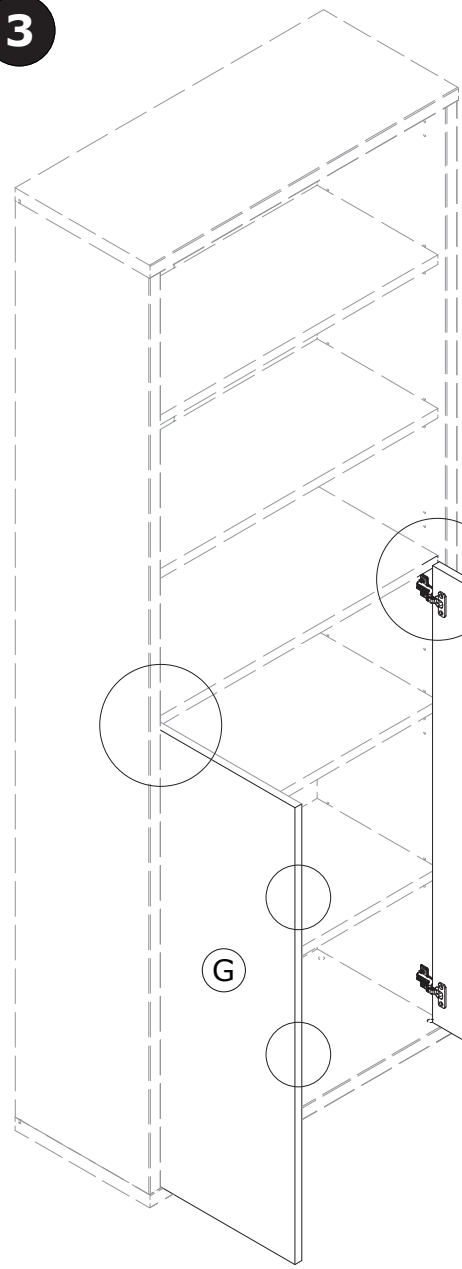
2



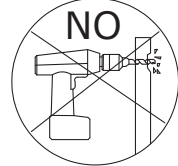
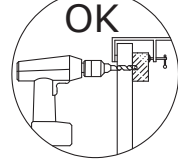
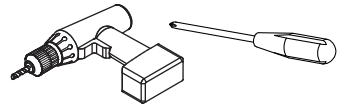
3



A



4



4x

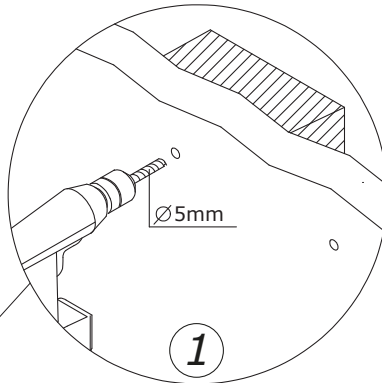


V137

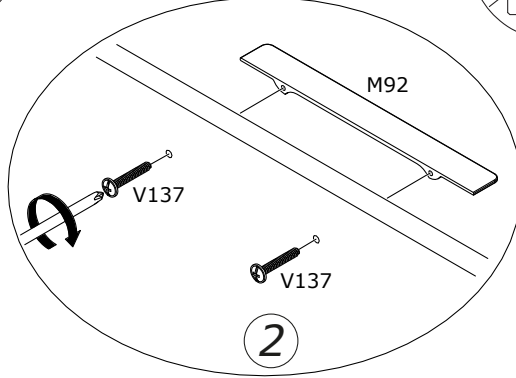
4x



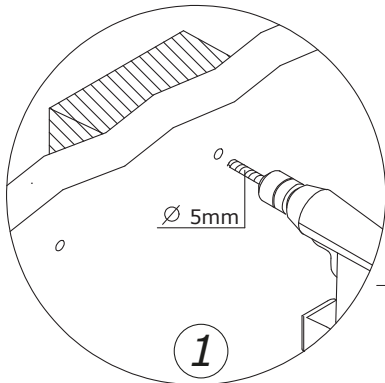
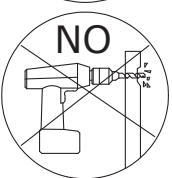
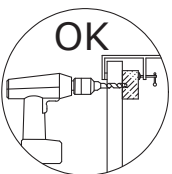
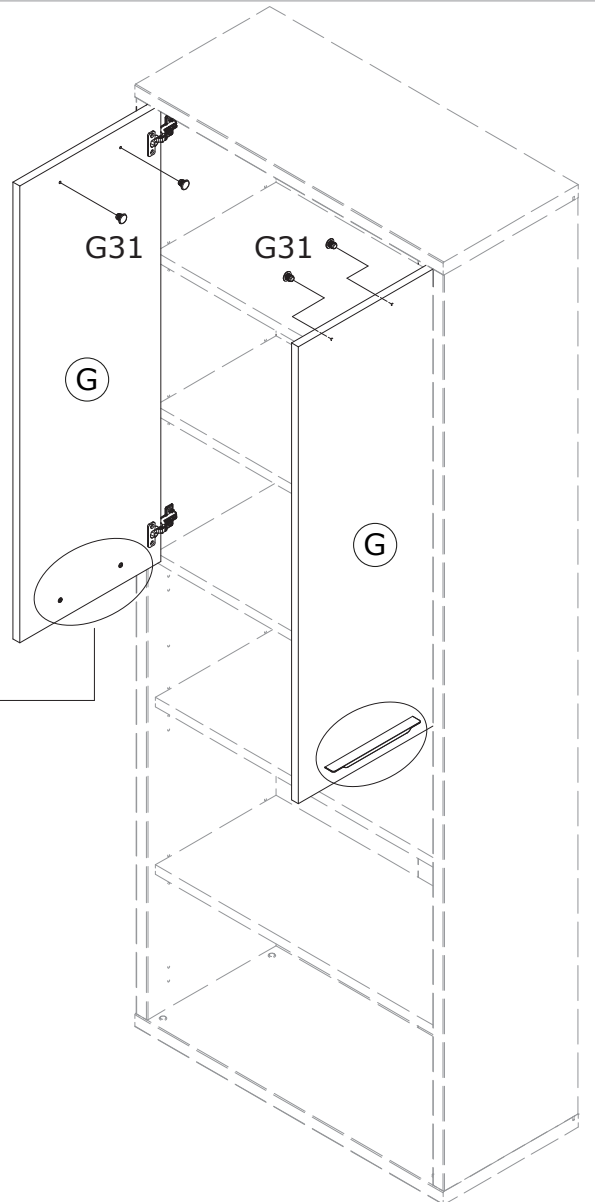
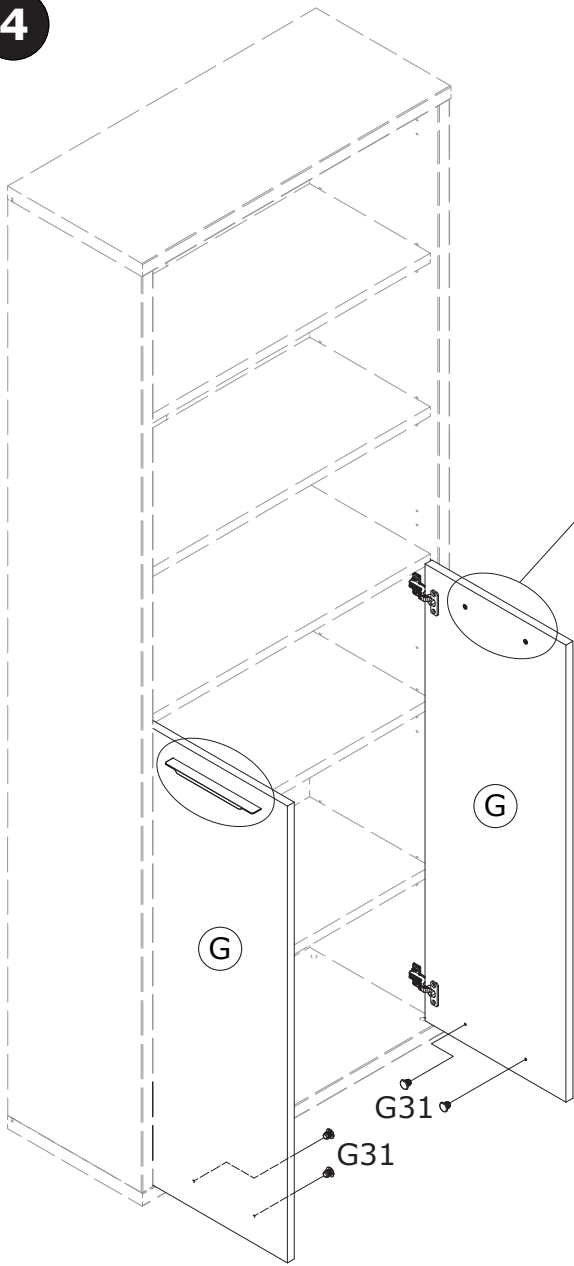
G31



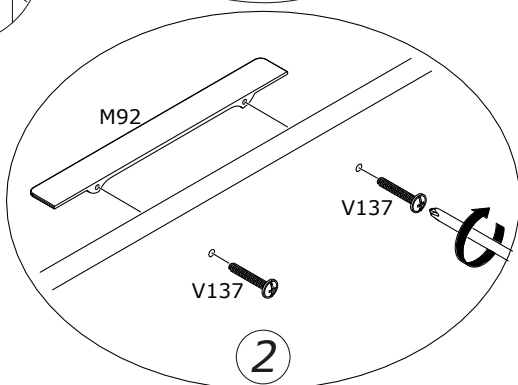
1



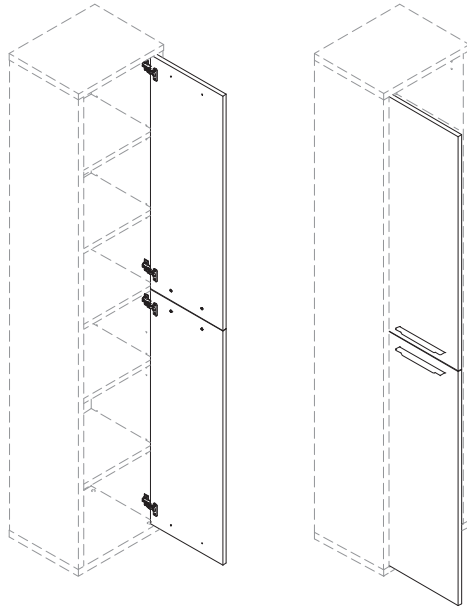
2



1

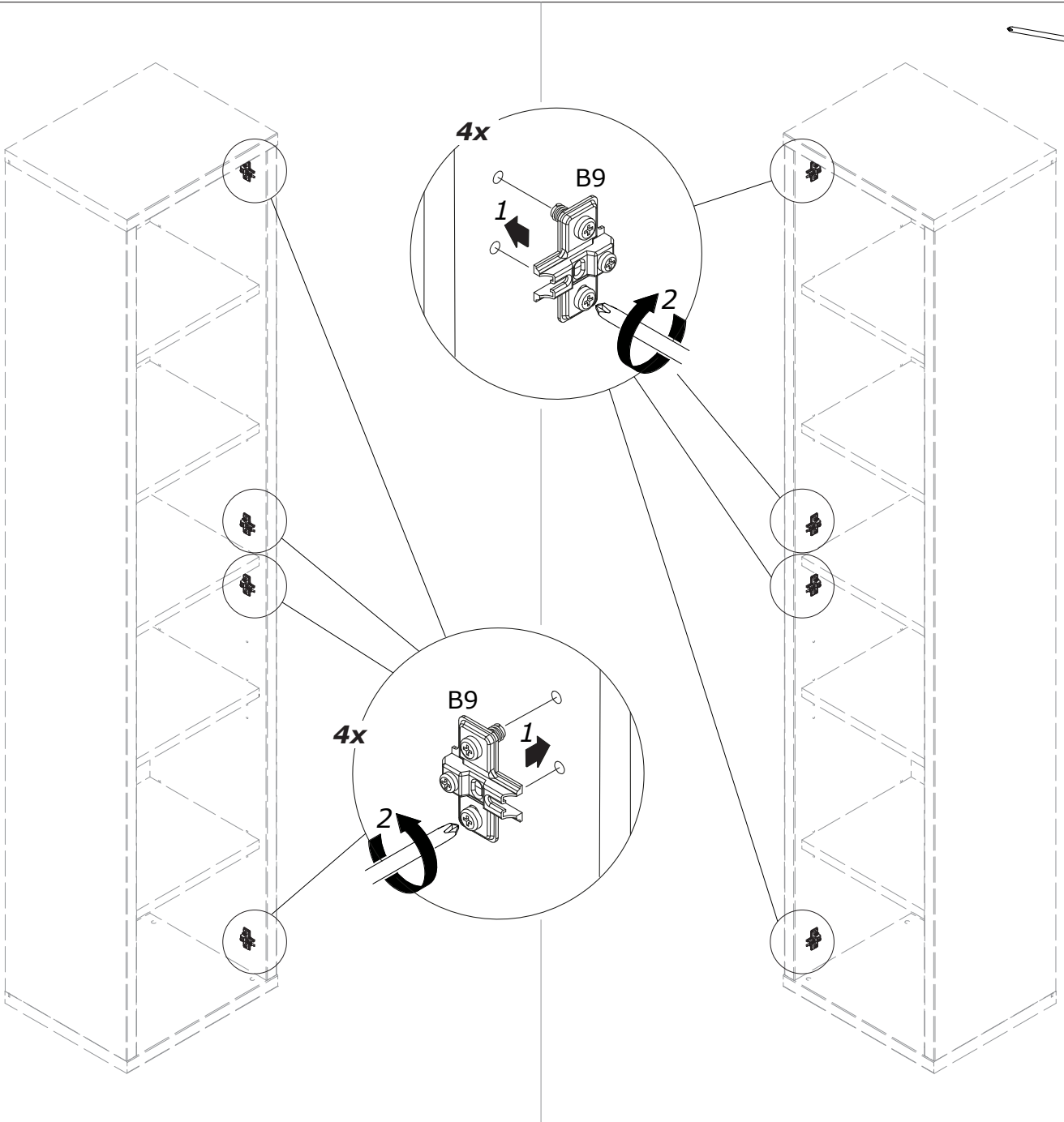


2



B

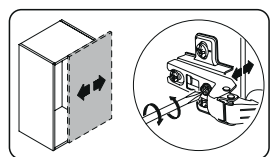
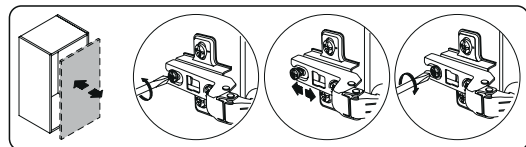
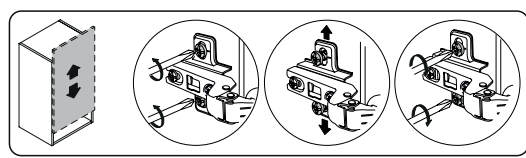
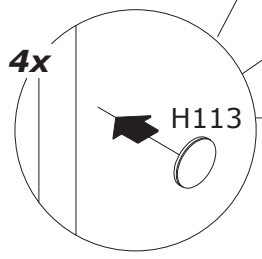
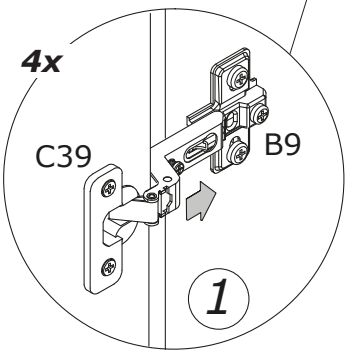
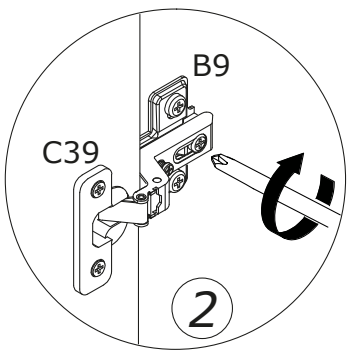
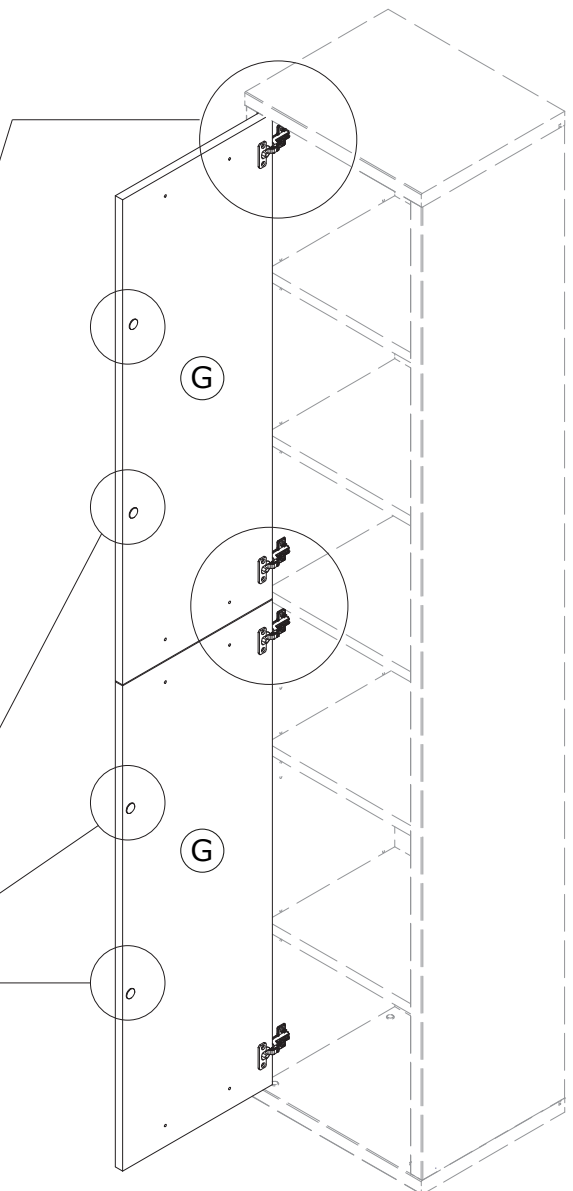
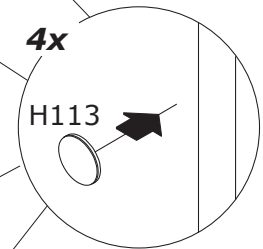
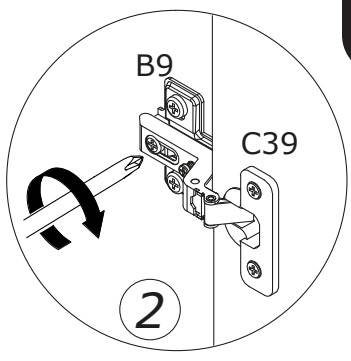
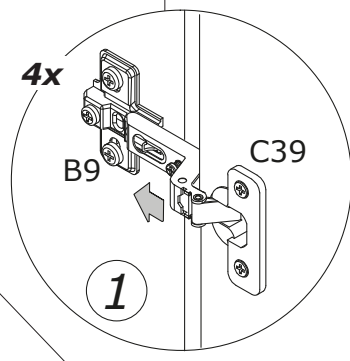
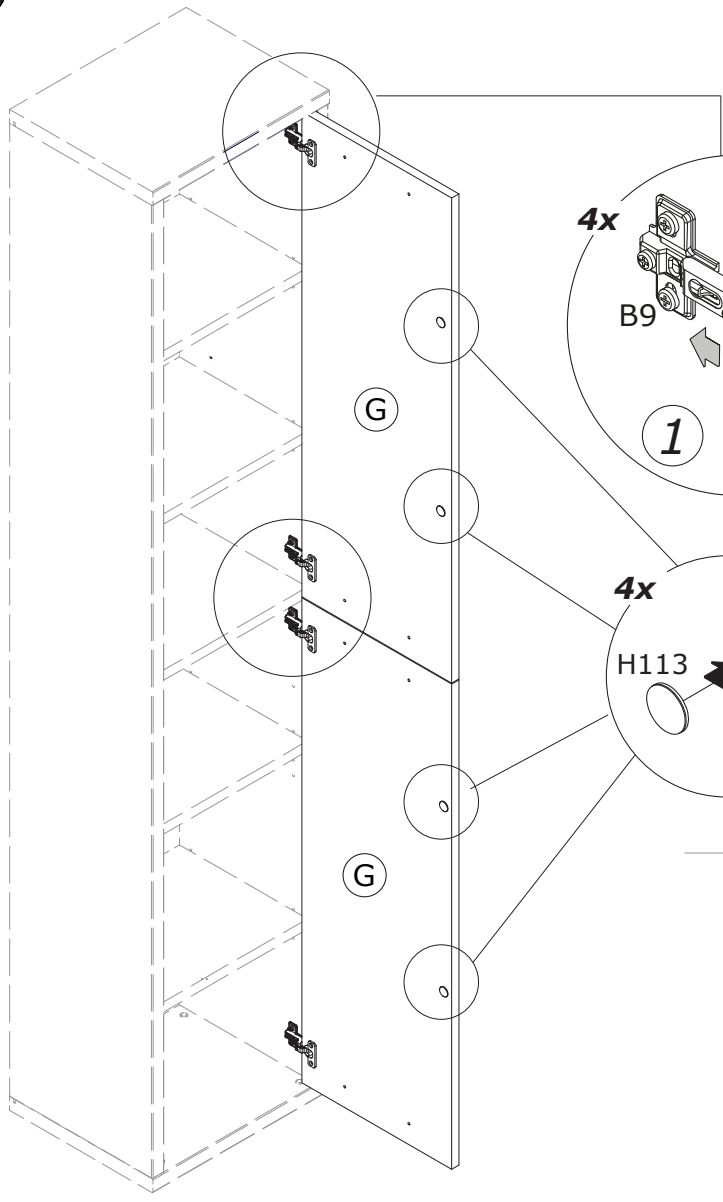
2



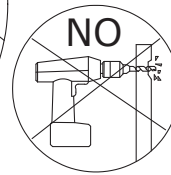
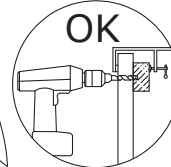
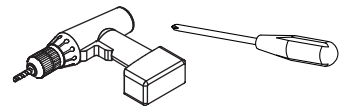
3



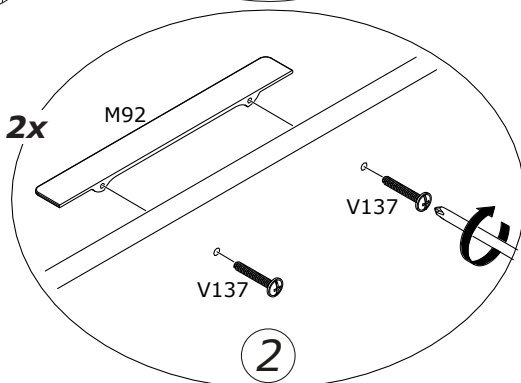
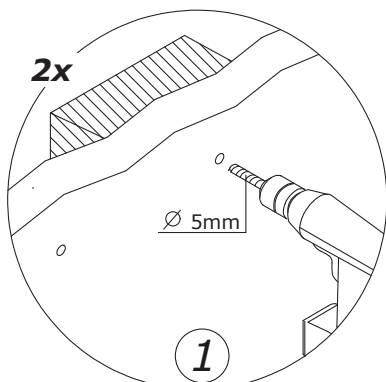
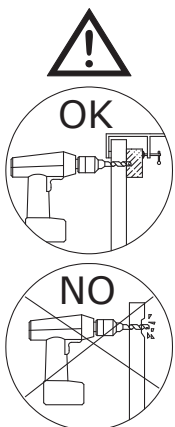
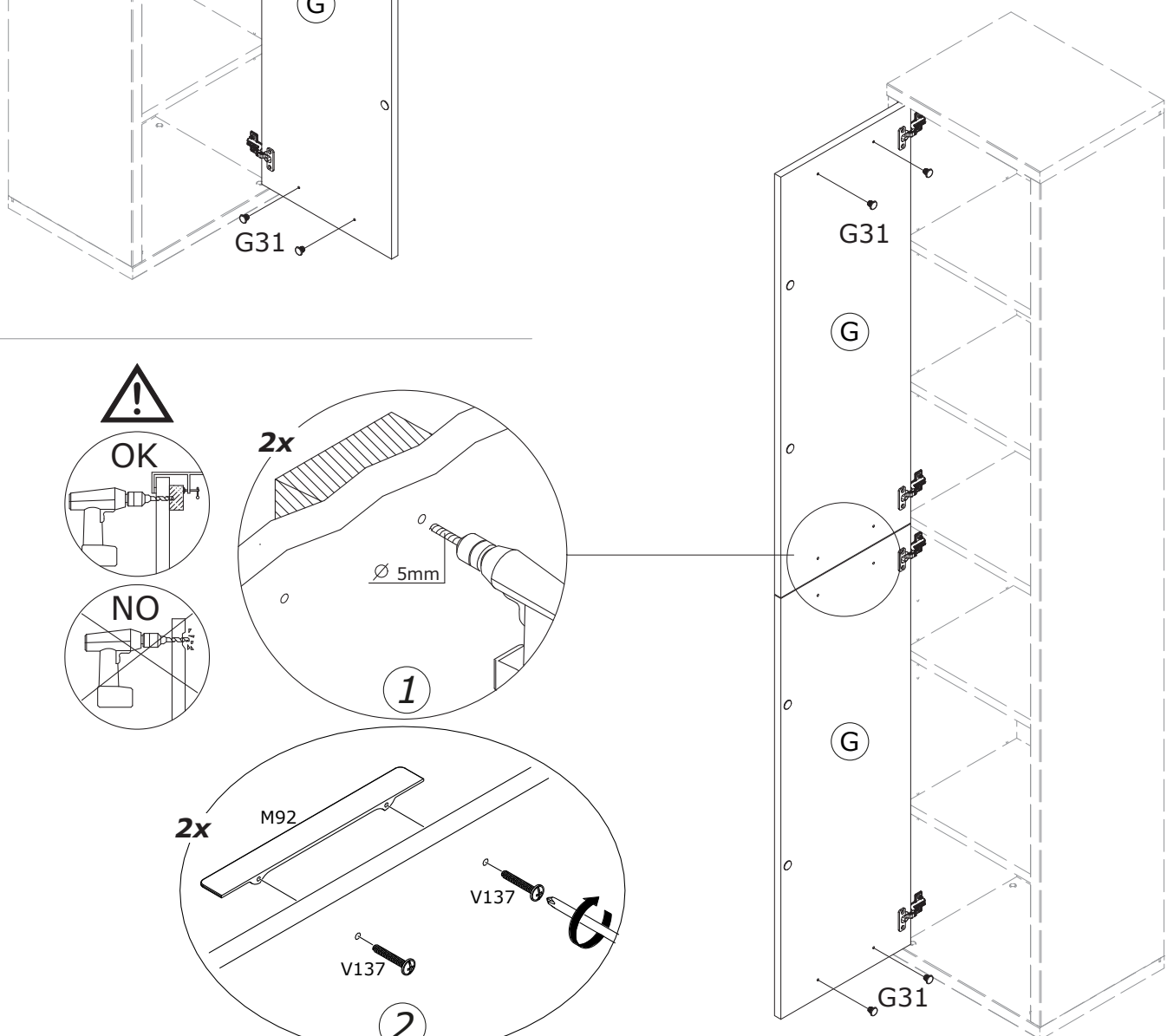
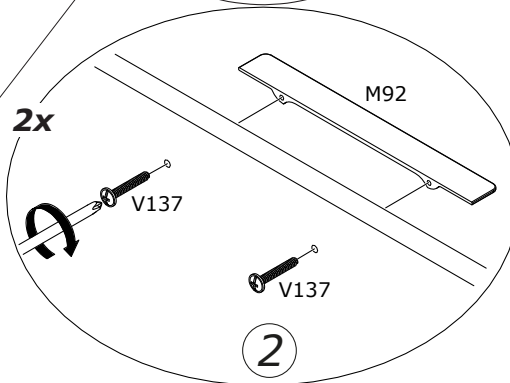
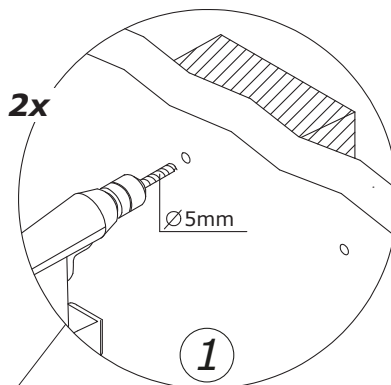
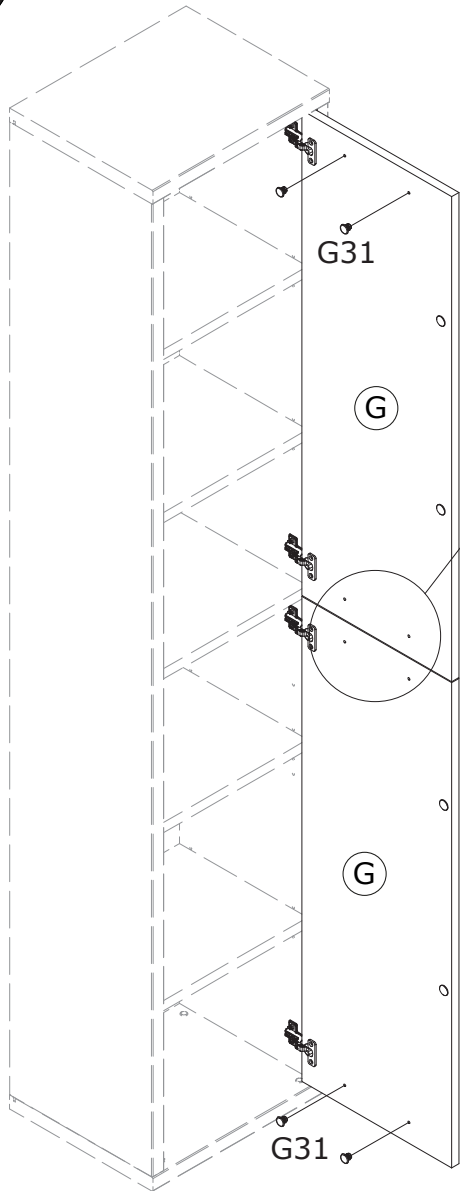
B

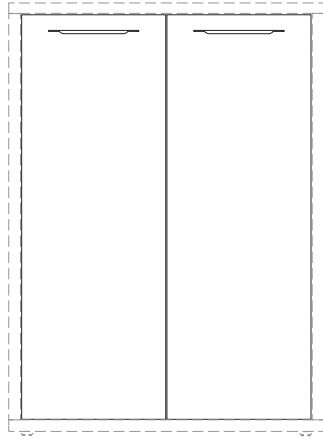


4



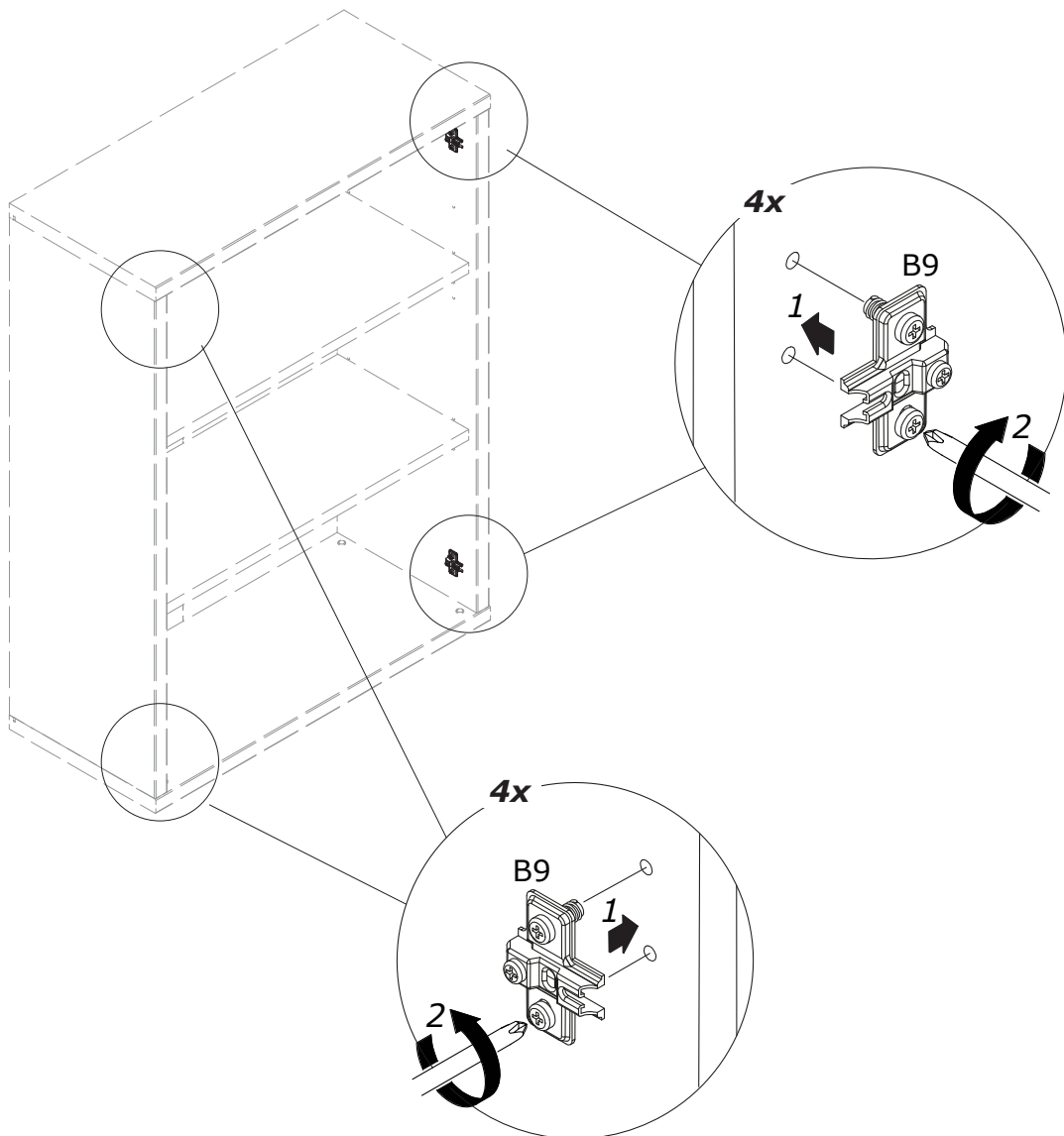
B





C

2



3

