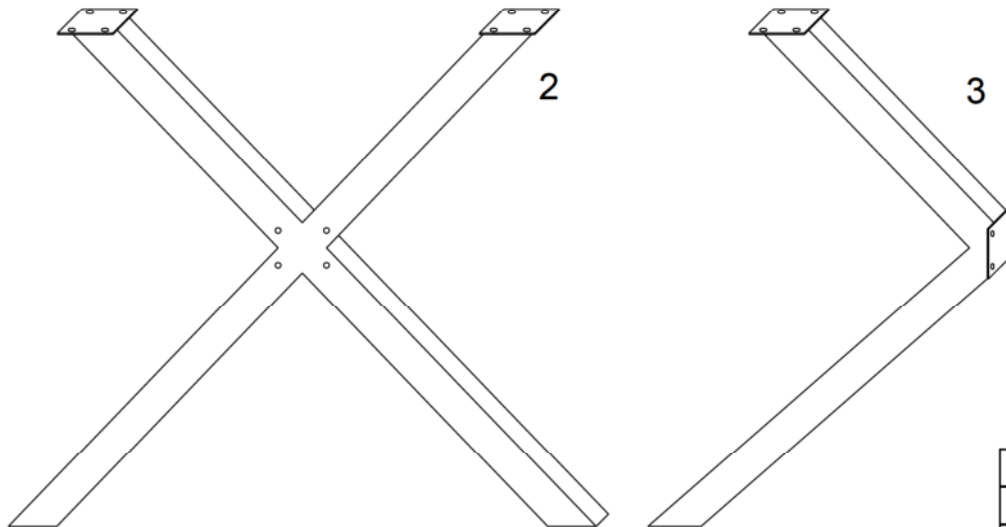
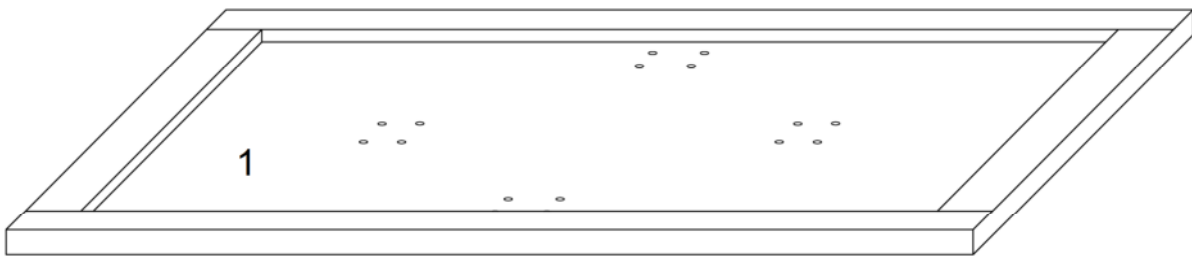
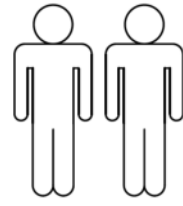
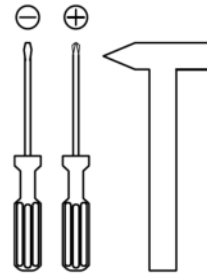
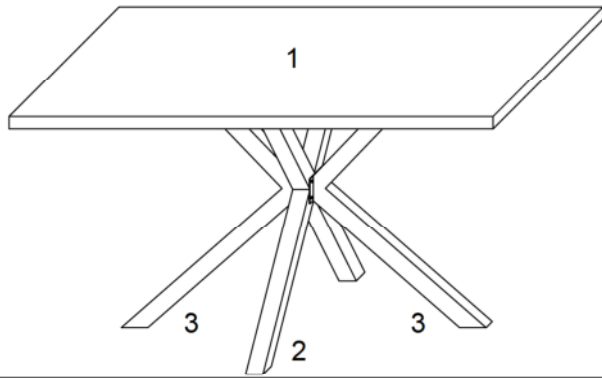


# "Cleo"

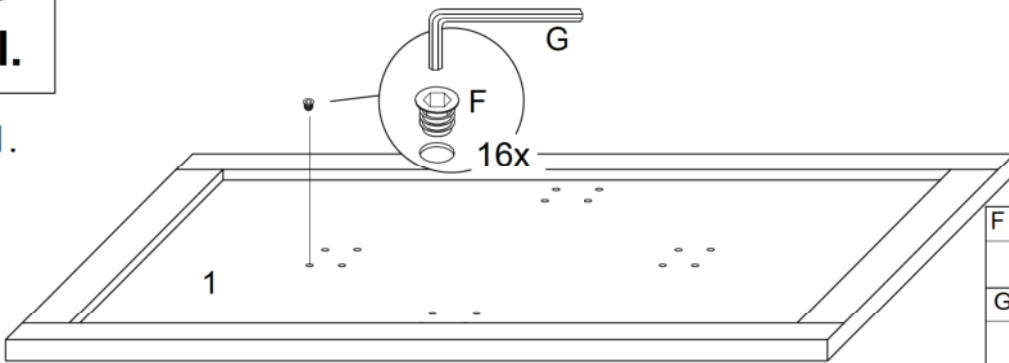


1	1x	1/2
2	1x	2/2
3	2x	2/2

<b>A</b>	M6x16	<b>B</b>	D13*D6.5*1.5mm	<b>C</b>		<b>D</b>	SW 4	<b>E</b>	D18*D6.5*1.5mm	<b>F</b>	M6 12x13
	24x		8x		4x		1x		16x		16x
<b>G</b>	SW 6										
	1x										

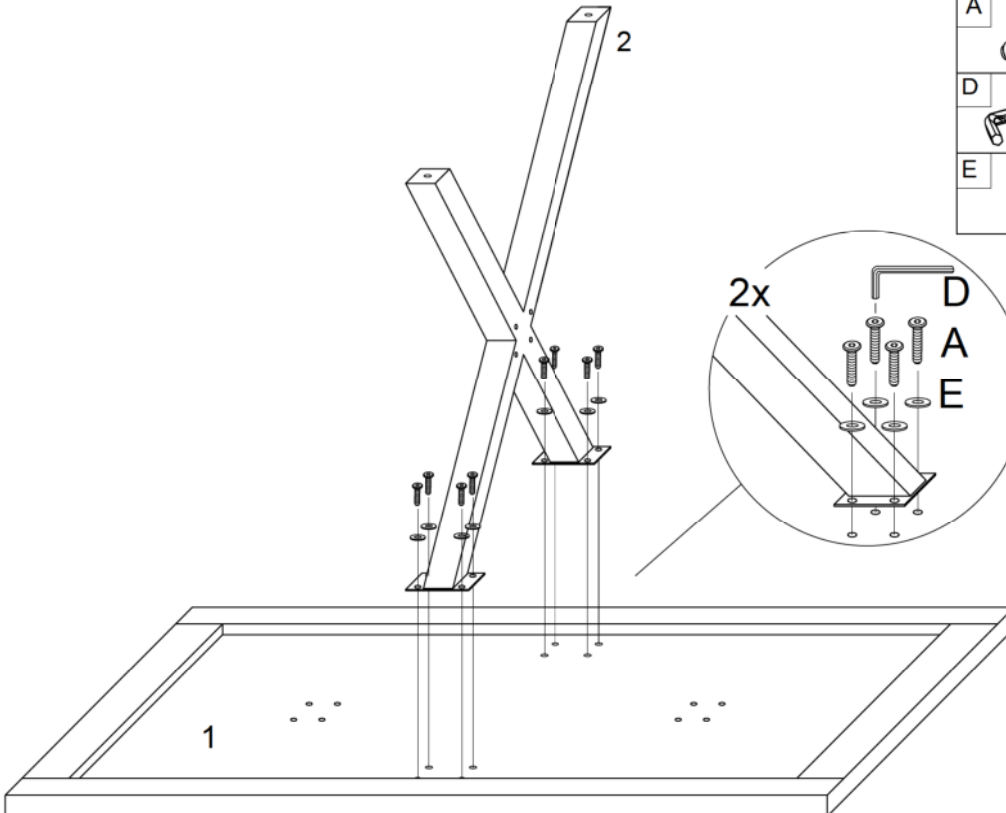
**I.**

1.

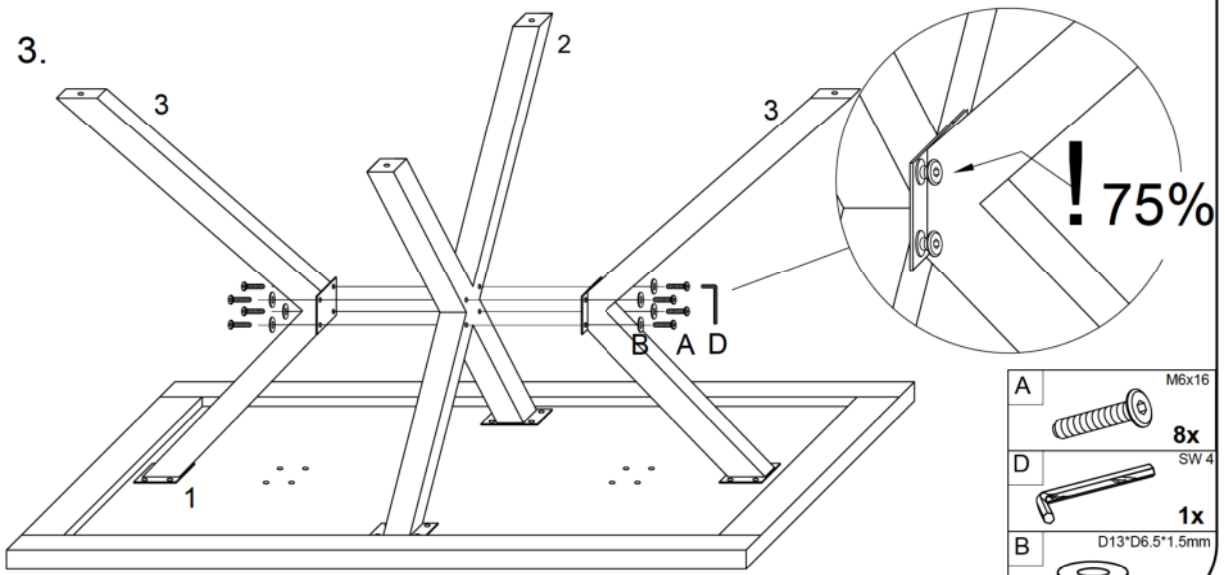


F	M6 12x13		16x
G	SW 6		1x
A	M6x16		8x
D	SW 4		1x
E	D18°D6.5*1.5mm		8x

2.

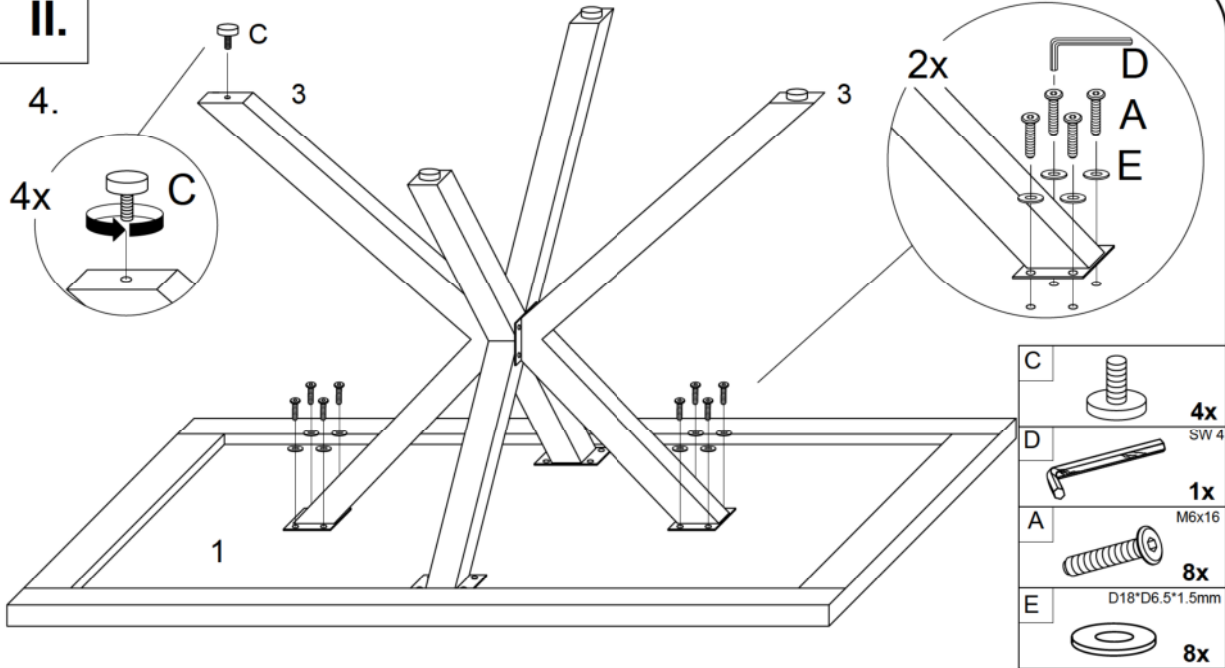


3.

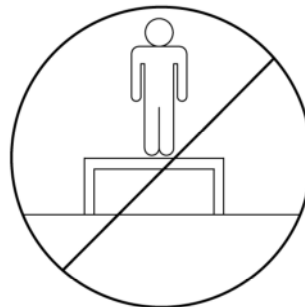
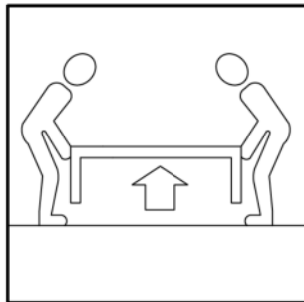
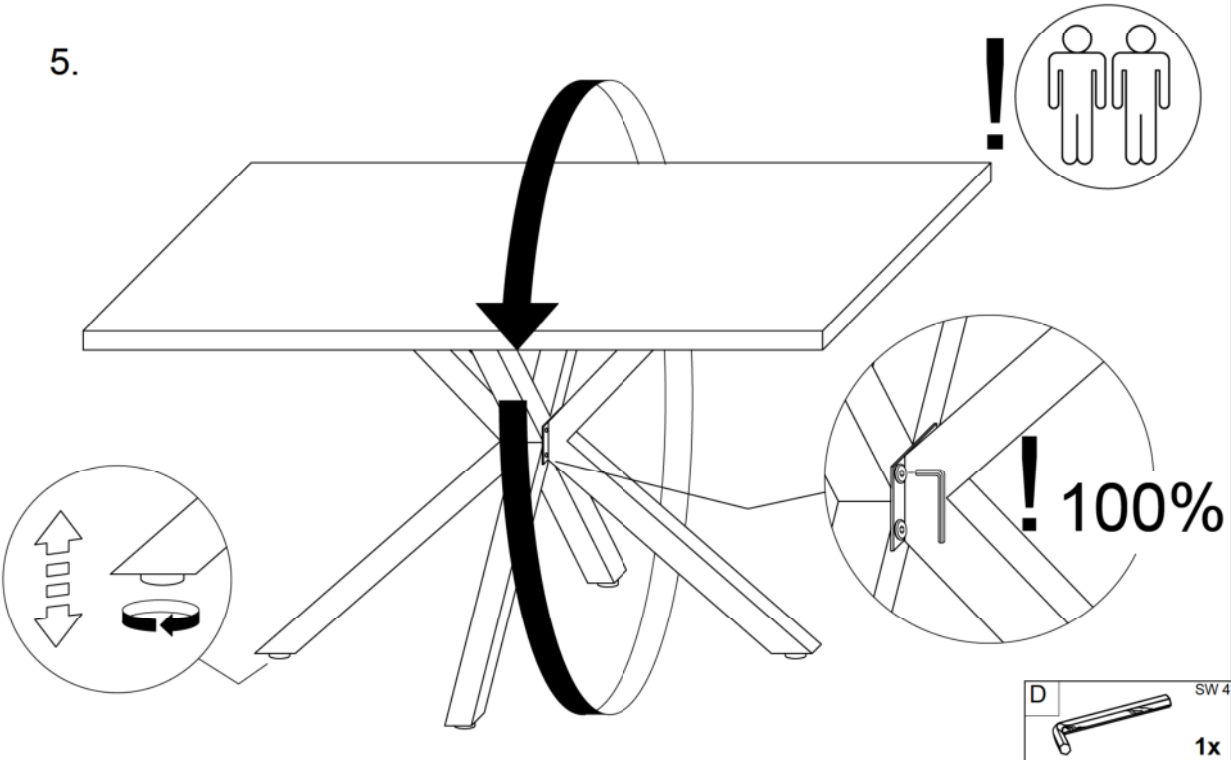


A	M6x16		8x
D	SW 4		1x
B	D13°D6.5*1.5mm		8x

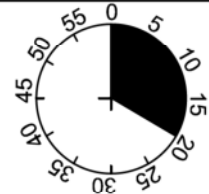
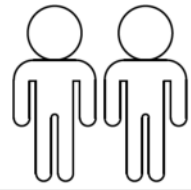
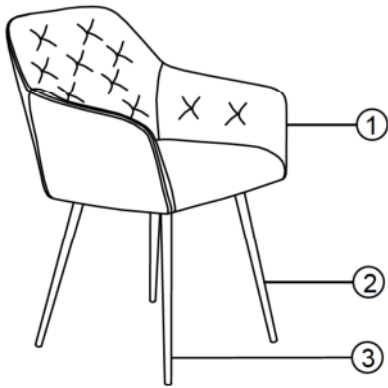
II.



5.



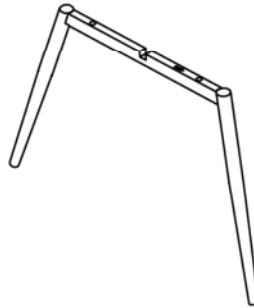
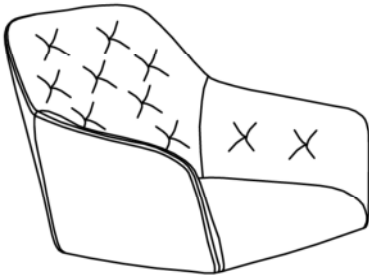
# Tina 1



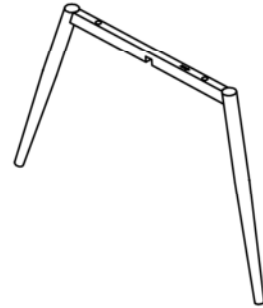
1

2

3



R

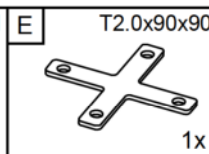
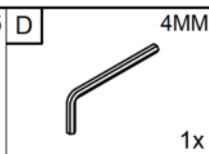
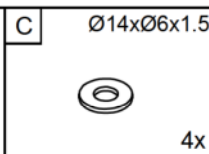
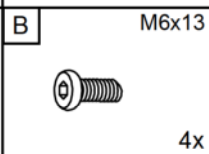
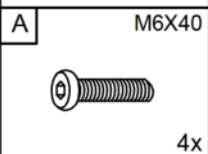


L

1	1 x
2	1 x
3	1 x



1/1



**I.**

**1**

3 → L

1 →

D

A

C

**A** M6x40  
2x

**C** Ø14xØ6x1.5  
2x

**D** 4MM  
1x

75%

**2**

2 → R

D

A

C

**A** M6x40  
2x

**C** Ø14xØ6x1.5  
2x

**D** 4MM  
1x

75%

**3**

D

B

E

**B** M6x13  
4x

**D** 4MM  
1x

**E** T2.0x90x90  
1x

75%

**4**

D

**D** 4MM  
1x

100%



**LE TRI + FACILE**



Séparez les éléments avant de trier