



**D** Montageanleitung

**F** Notice de montage

**NL** Handleiding voor de montage

**CZ** Monzázní návod

**HU** Szerelési útmutató

**TR** Montaj talimatı

**GB** Assembly instructions

**I** Istruzione di montaggio

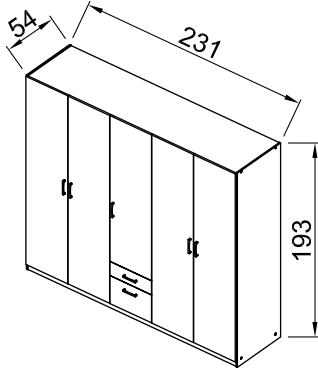
**PL** Instrukcja montaży

**SK** Návod na montáž

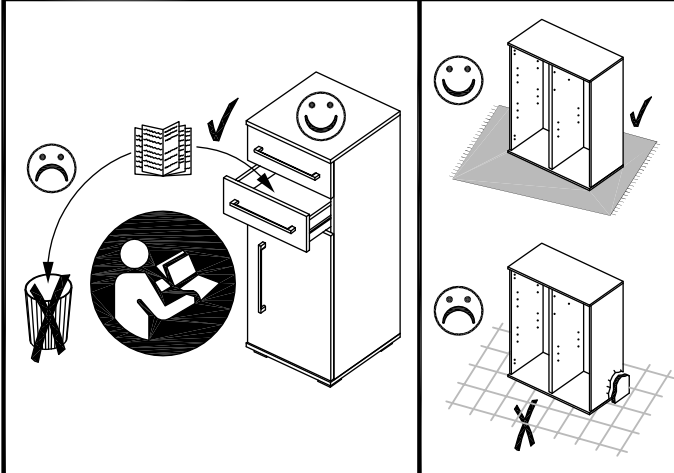
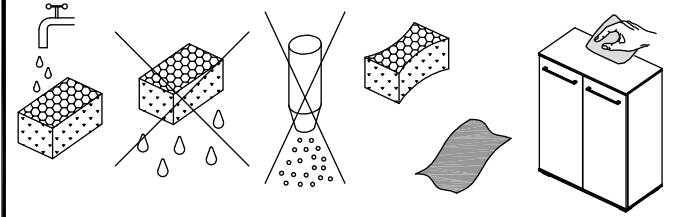
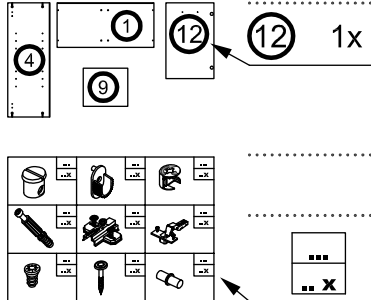
**RO** Instrucțiuni de montaj

**RU** ИНСТРУКЦИЯ ПО МОНТАЖУ

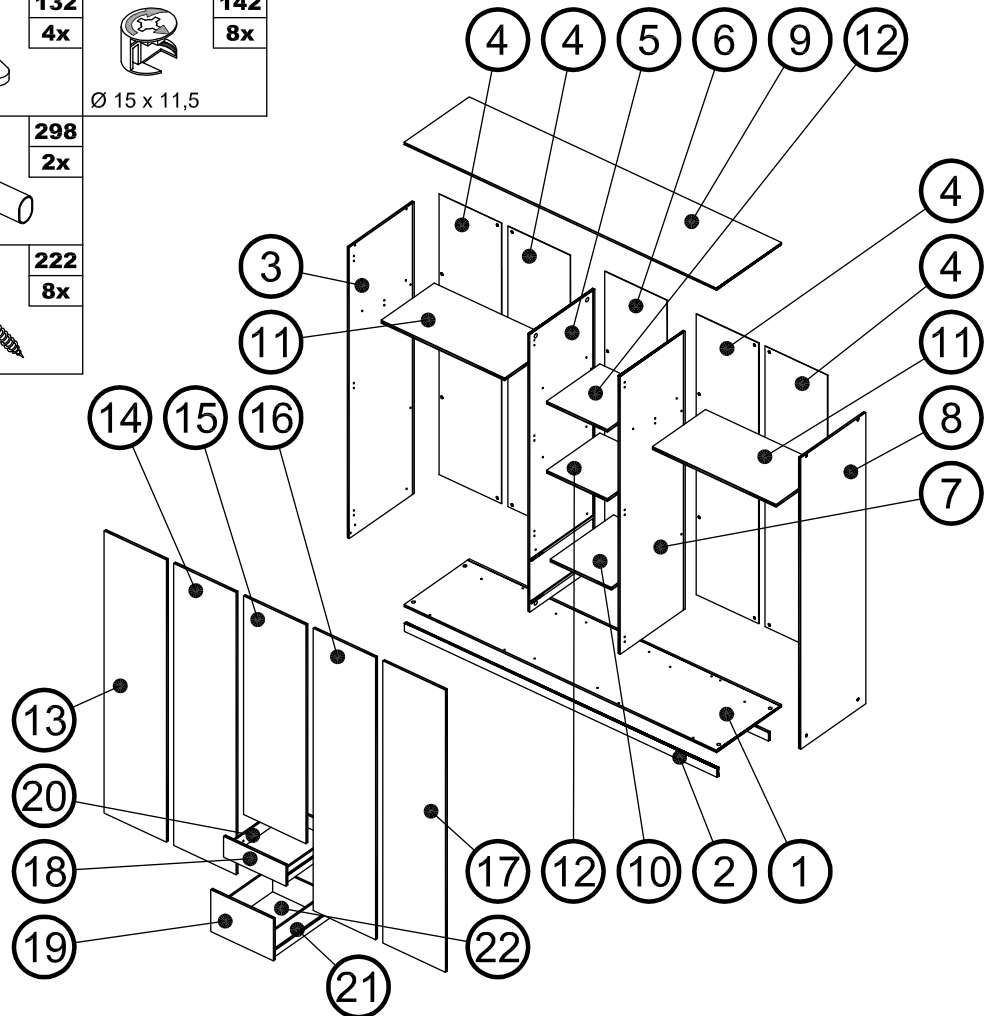
Art. Nr. 3526



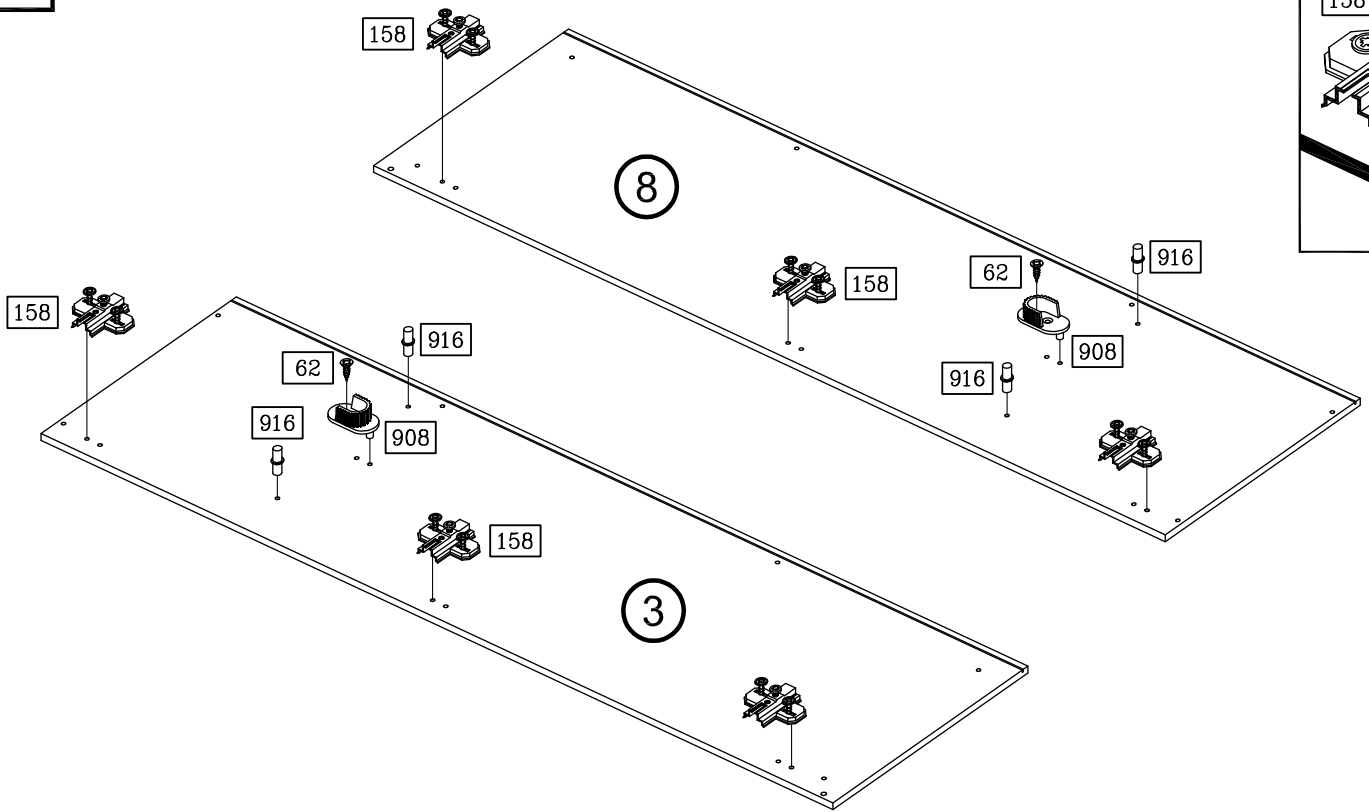
Art. Nr. 3526



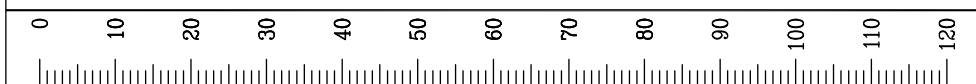
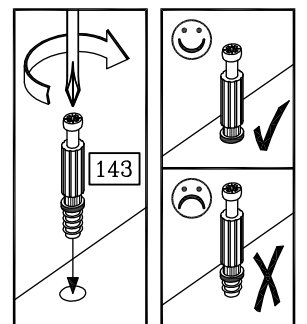
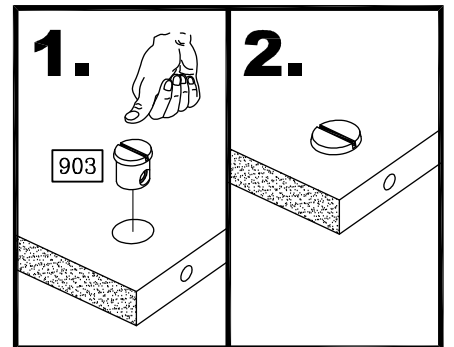
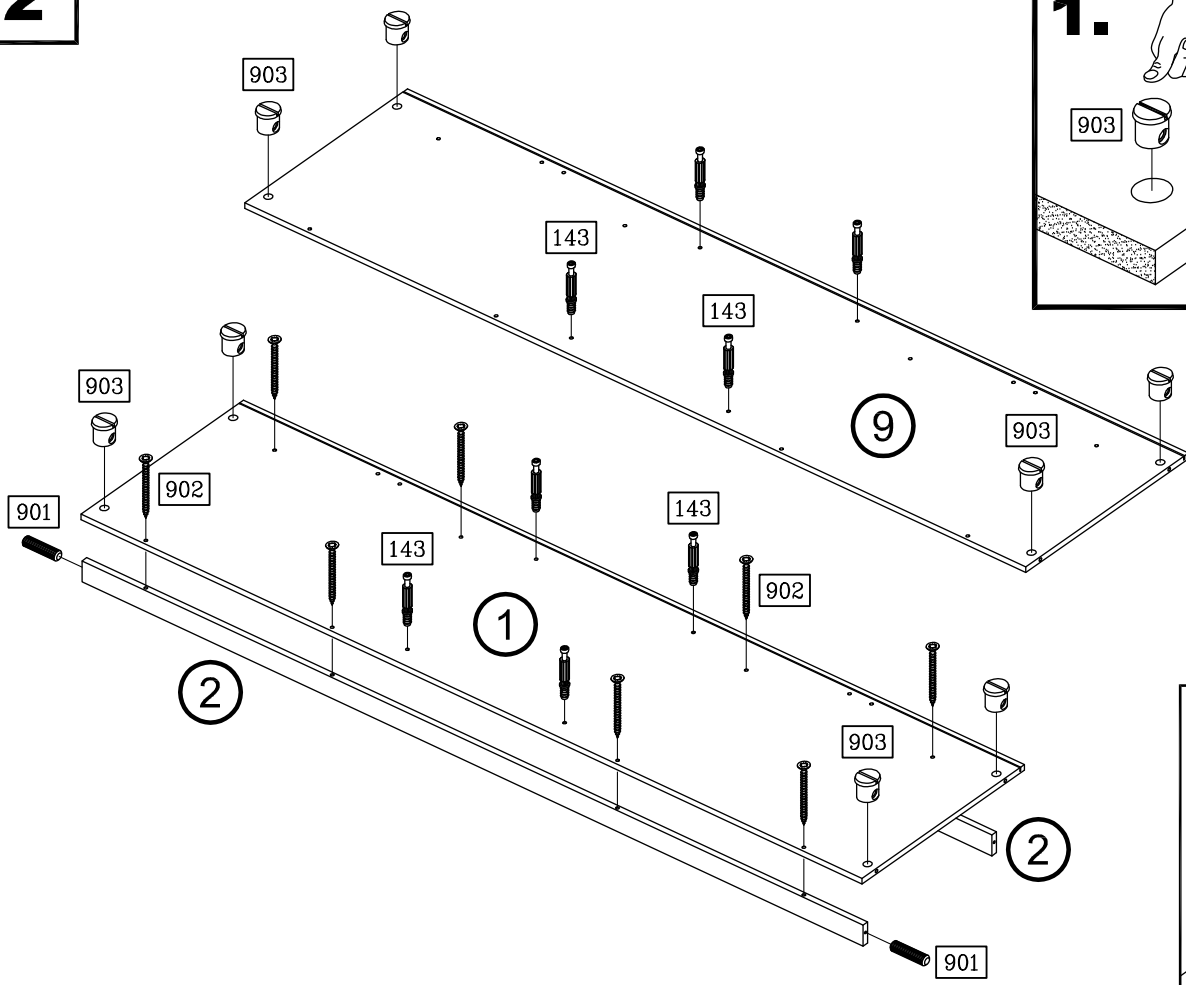
|          |                   |            |                   |          |                  |  |                  |
|----------|-------------------|------------|-------------------|----------|------------------|--|------------------|
|          | <b>62</b><br>4x   |            | <b>70</b><br>4x   |          | <b>132</b><br>4x |  | <b>142</b><br>8x |
| 3,5 x 13 |                   | M4 x 9     |                   |          | <b>298</b><br>2x |  | <b>298</b><br>2x |
|          | <b>143</b><br>8x  |            | <b>297</b><br>2x  |          | <b>298</b><br>2x |  |                  |
| 6 x 44   |                   | 1834 mm    |                   | 895 mm   |                  |  |                  |
|          | <b>155</b><br>15x |            | <b>158</b><br>15x |          | <b>222</b><br>8x |  |                  |
|          |                   |            |                   | 4,5 x 55 |                  |  |                  |
|          | <b>901</b><br>2x  |            | <b>902</b><br>8x  |          |                  |  |                  |
| Ø 6 x 25 |                   | 3,5 x 40   |                   |          |                  |  |                  |
|          | <b>903</b><br>8x  |            | <b>905</b><br>8x  |          |                  |  |                  |
|          |                   | Ø 12 / 2,5 |                   |          |                  |  |                  |
|          | <b>908</b><br>4x  |            | <b>916</b><br>16x |          |                  |  |                  |
|          |                   |            |                   |          |                  |  |                  |
|          | <b>921</b><br>20x |            | <b>927</b><br>20x |          |                  |  |                  |
|          |                   | 6,3 x 11   |                   |          |                  |  |                  |
|          | <b>940</b><br>1x  |            | <b>990</b><br>7x  |          |                  |  |                  |
| 15 g     |                   |            |                   |          |                  |  |                  |



1

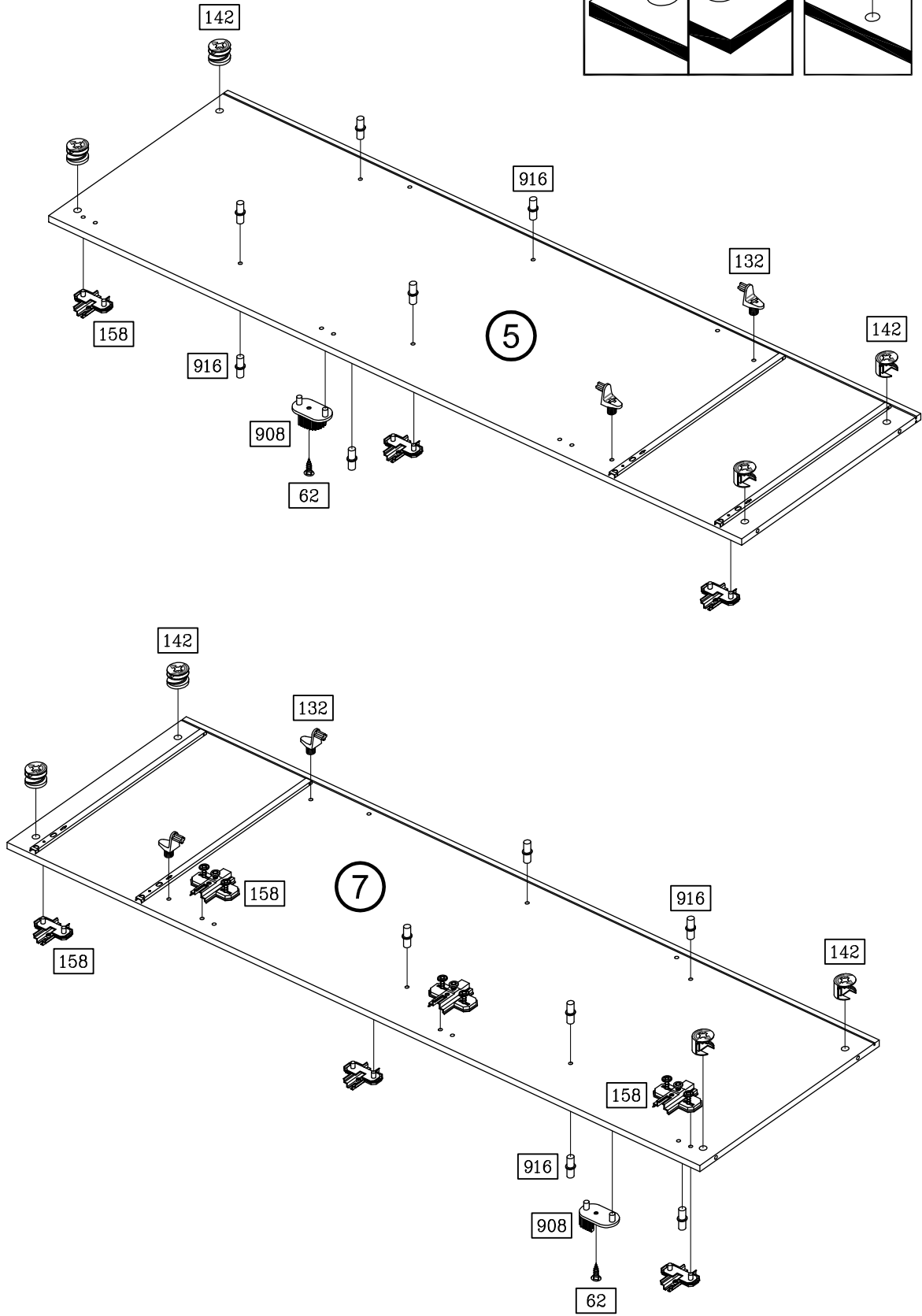
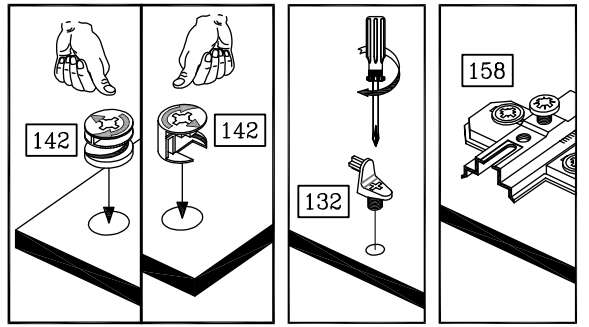


2

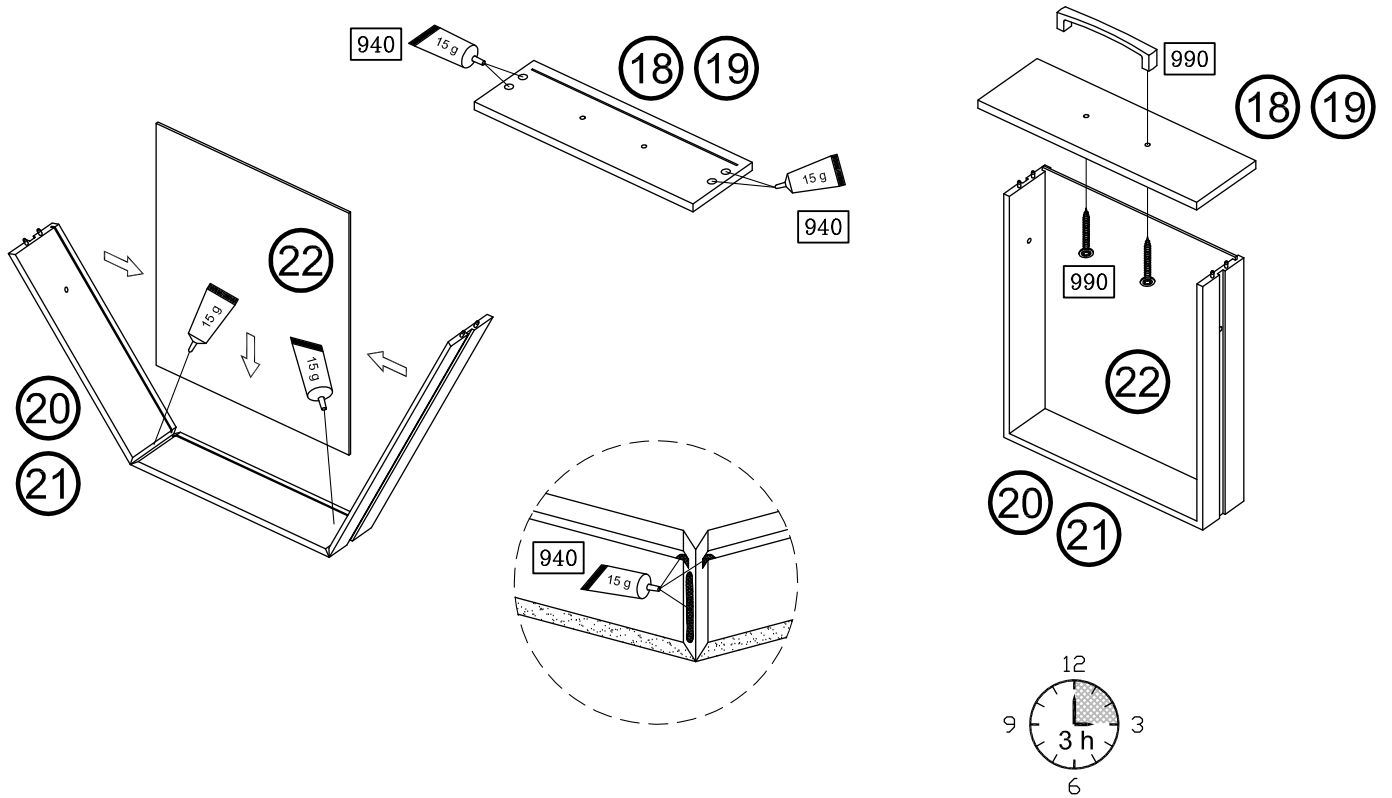


3526-2

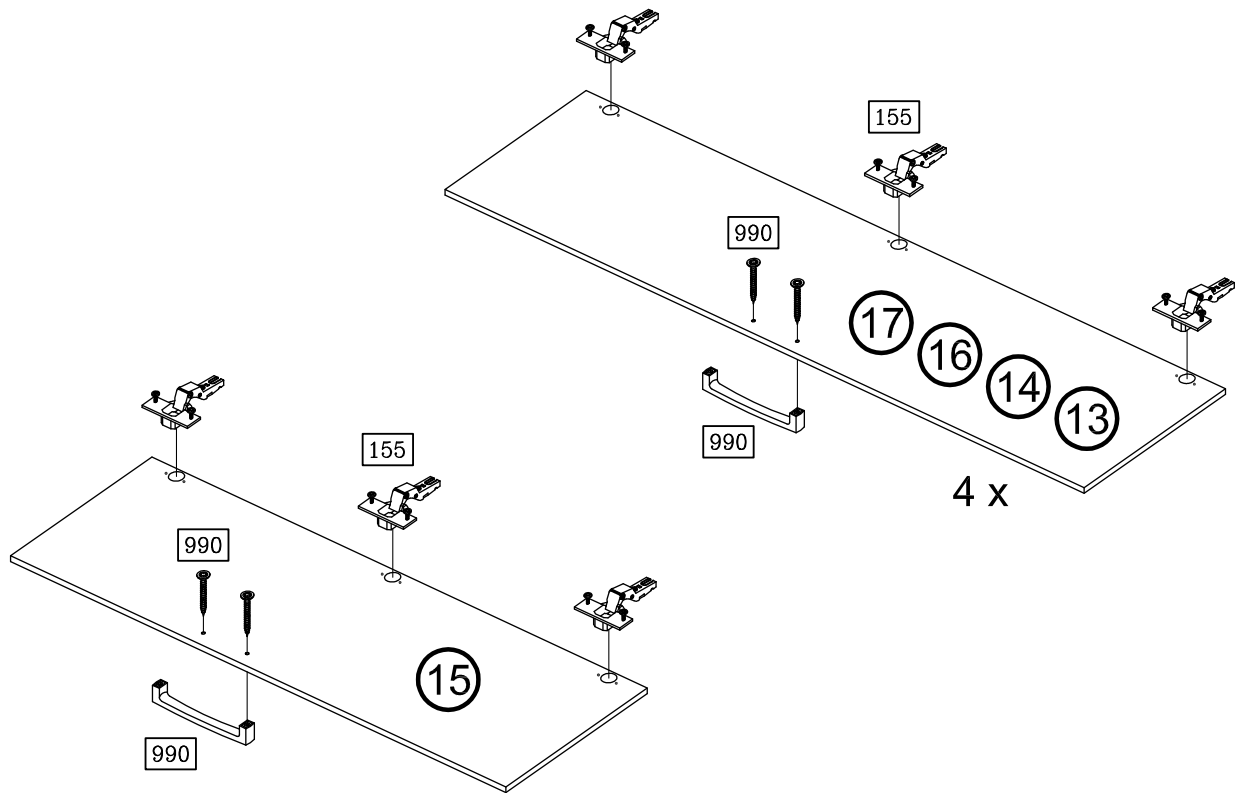
2/8



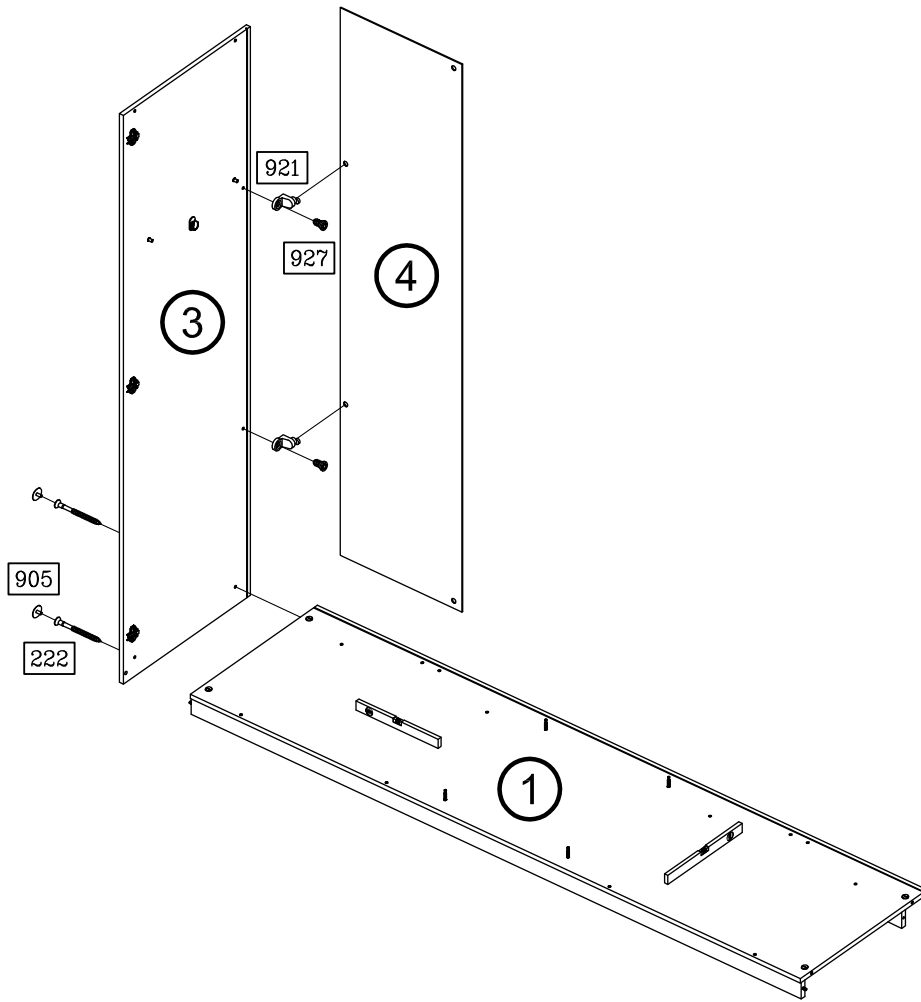
4



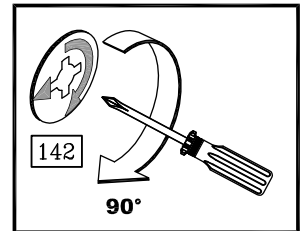
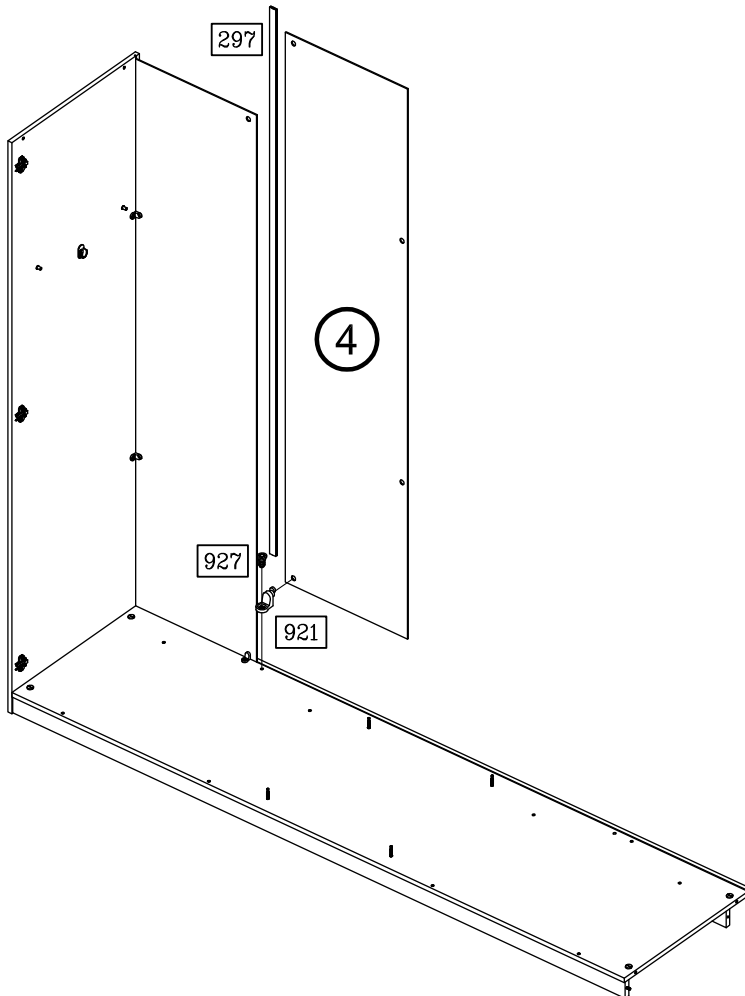
5



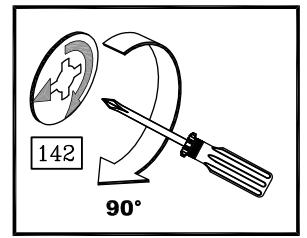
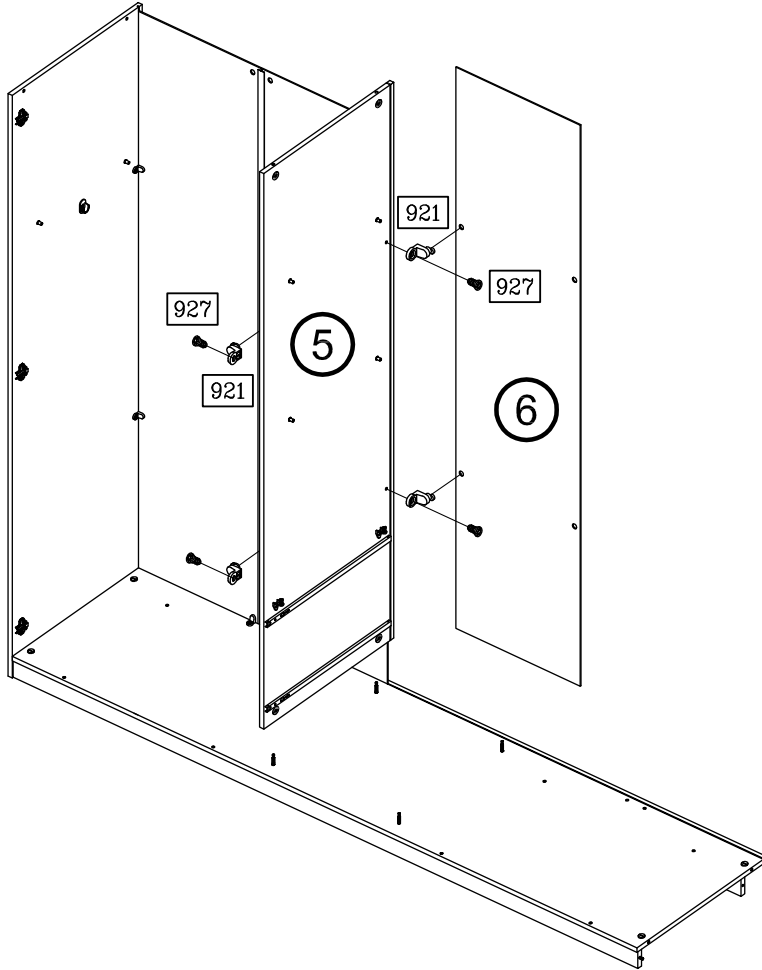
6



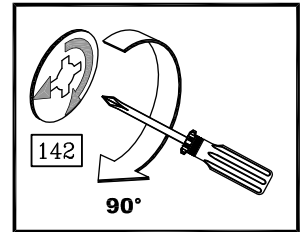
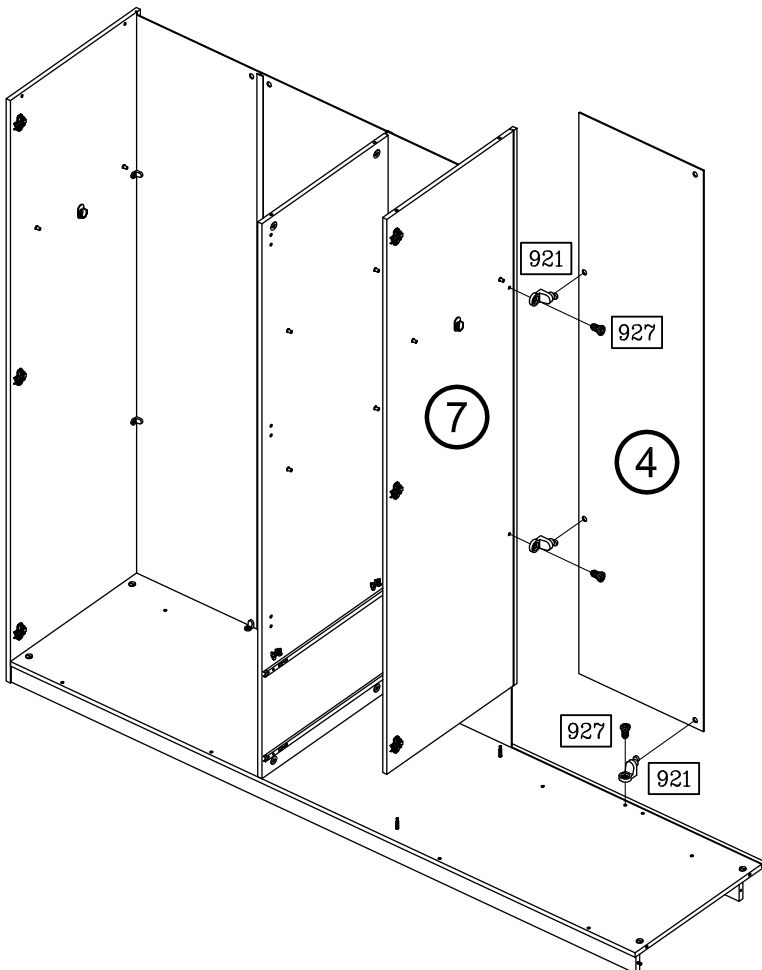
7



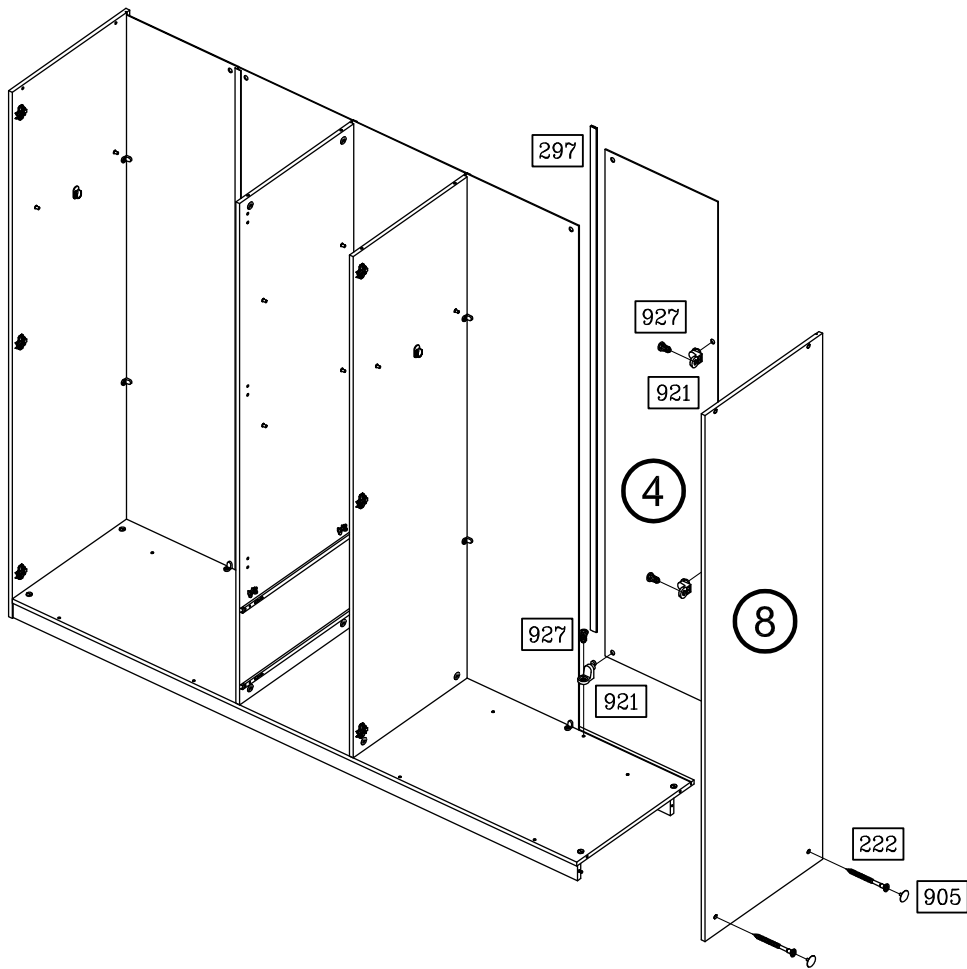
8



9



10



11

