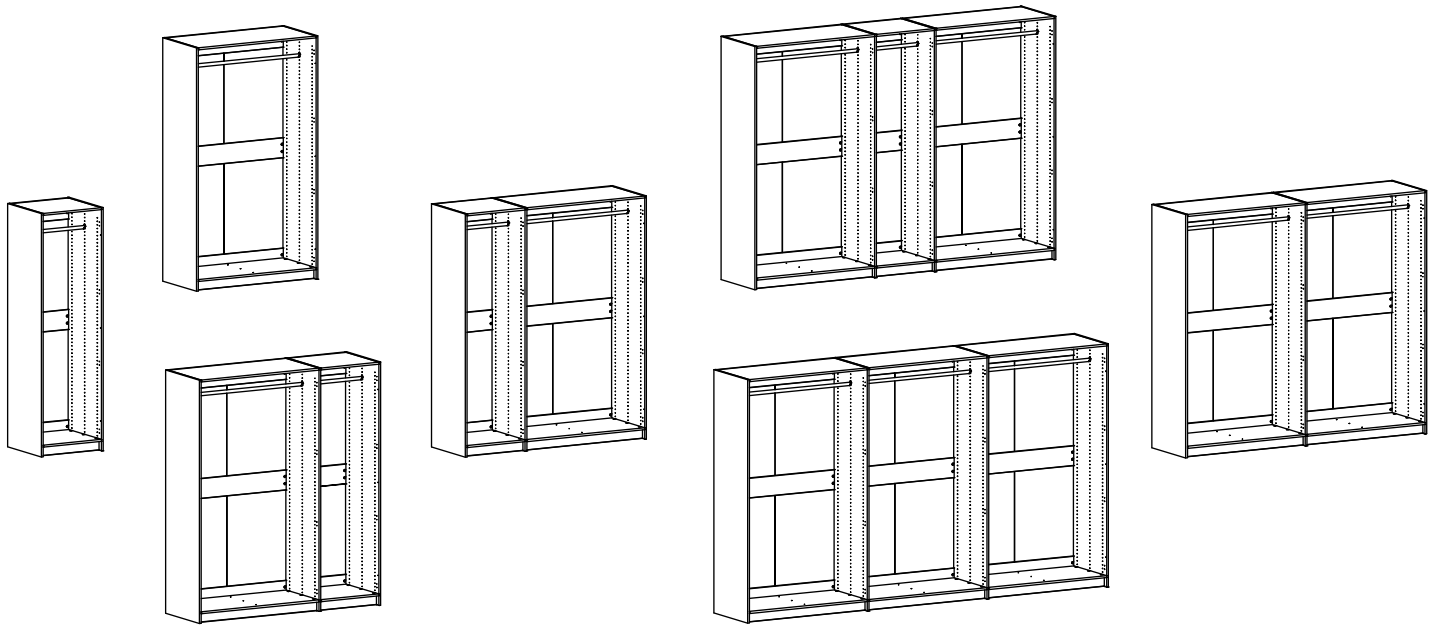
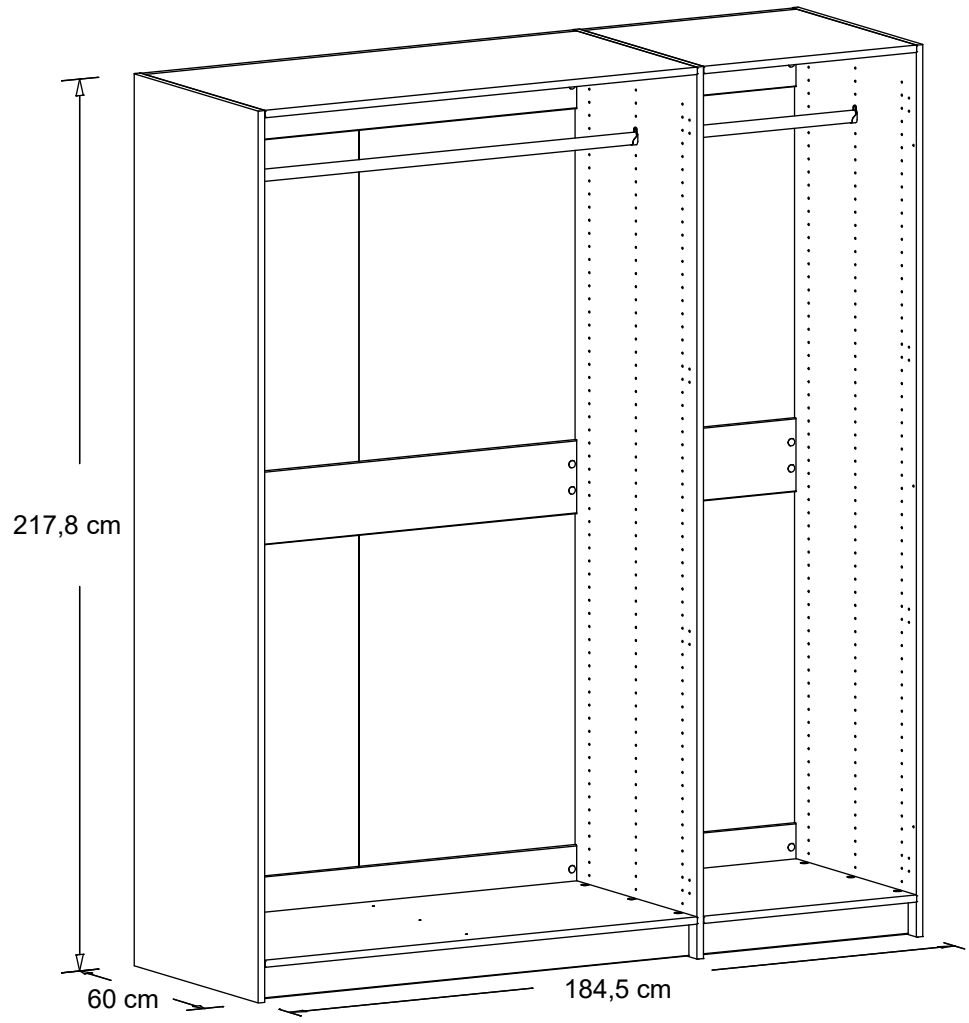
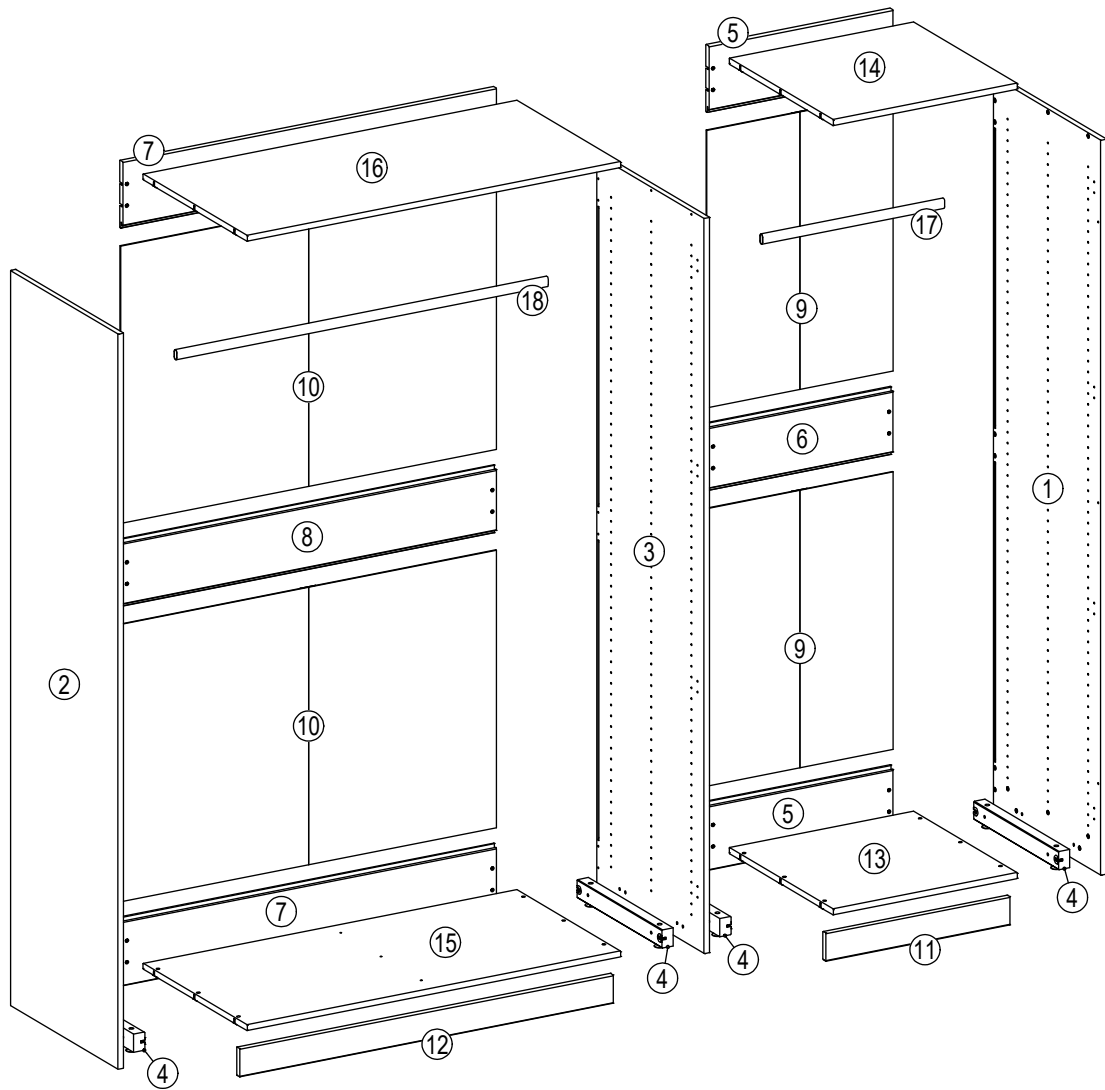

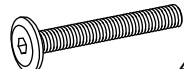



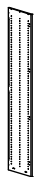
# Rødvig Wardrobe






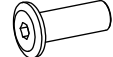


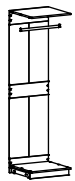
335 02 1:1

<p><b>B32</b></p>  <p>24 x M6 x 7,5mm</p>	<p><b>L07</b></p>  <p>4 x M6 x 45mm</p>	<p><b>Z04</b></p>  <p>1 x 4mm</p>
--	--	---







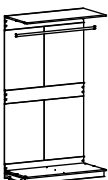
335 01 1:1

<p><b>B35</b></p>  <p>12 x M4 x 12mm</p>	<p><b>B36</b></p>  <p>12 x M4, ø5 x 14,5mm</p>	<p><b>L13</b></p>  <p>2 x M6 x 80mm</p>	<p><b>M01</b></p>  <p>2 x M6, ø8 x 22mm</p>
---	---	---	--







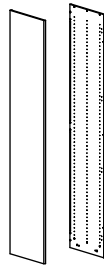
335 05 1:1

<p><b>A26</b></p>  <p>4 x ø8 x 40mm</p>	<p><b>B32</b></p>  <p>2 x M6 x 7,5mm</p>	<p><b>N13</b></p>  <p>2 x</p>	<p><b>U01</b></p>  <p>18 x ø18mm</p>
--	---	--	---



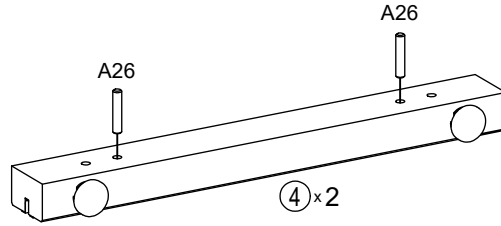
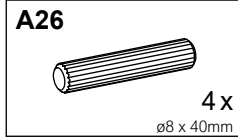
335 10 1:2 + 2:2

<p><b>A26</b></p>  <p>4 x ø8 x 40mm</p>	<p><b>B32</b></p>  <p>2 x M6 x 7,5mm</p>	<p><b>N13</b></p>  <p>2 x</p>	<p><b>U01</b></p>  <p>18 x ø18mm</p>
--	---	--	---

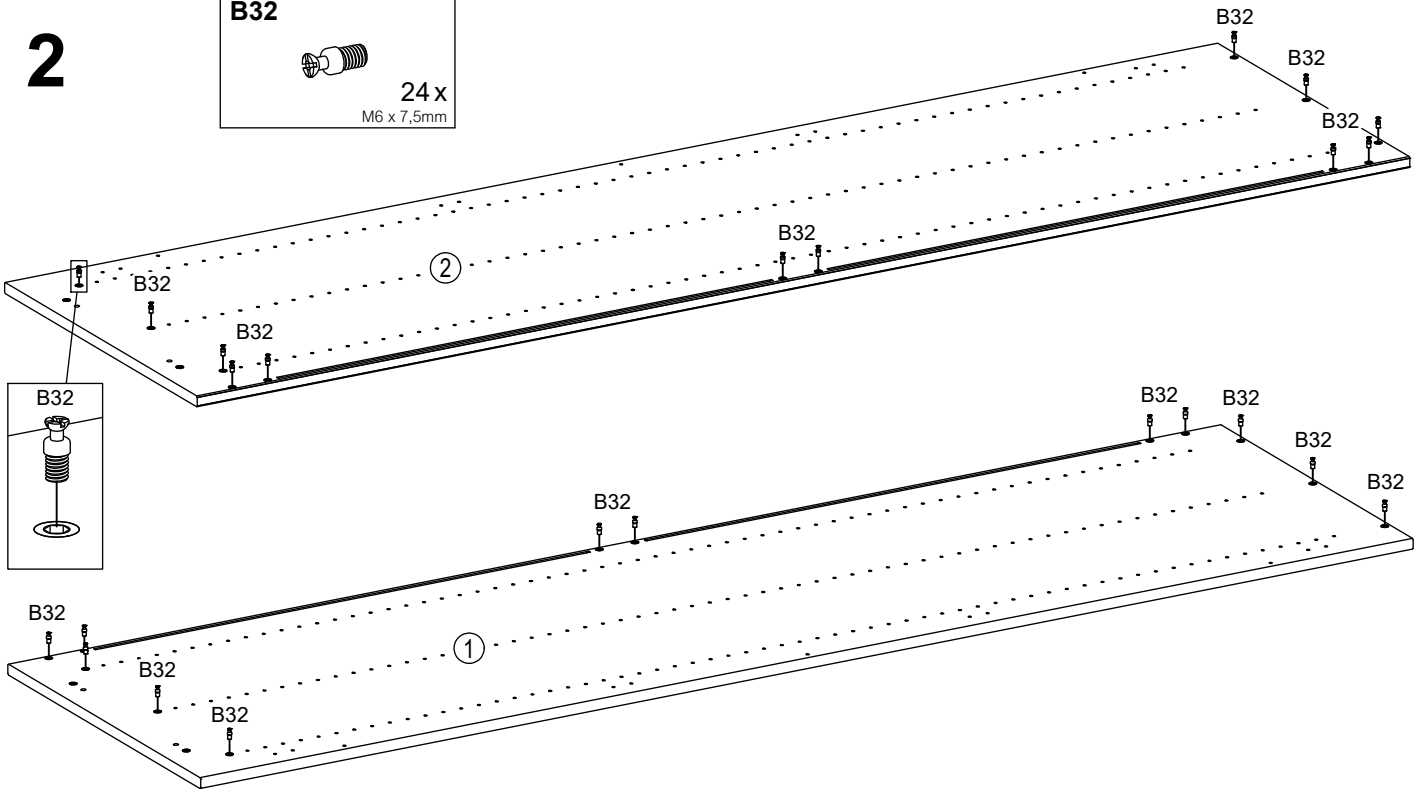
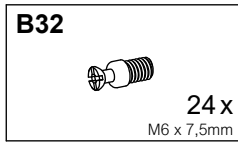


335 02 1:1

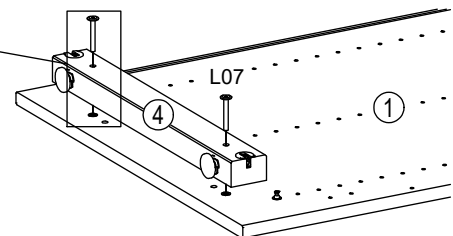
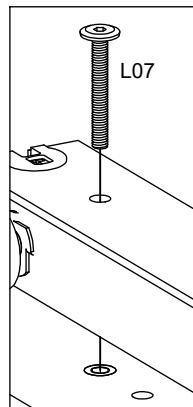
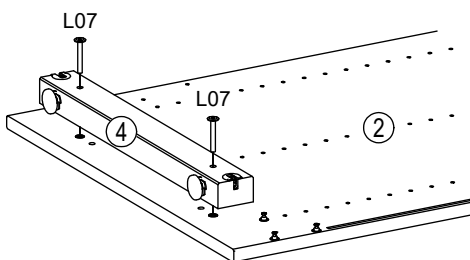
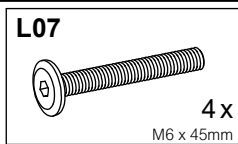
1

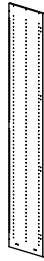


2



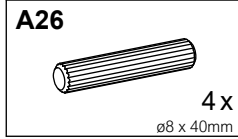
3





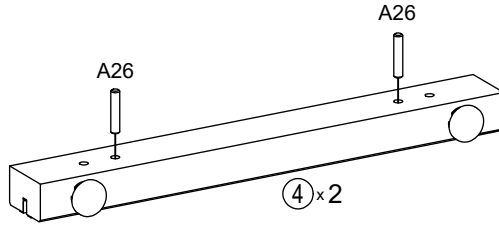
335 01 1:1

4

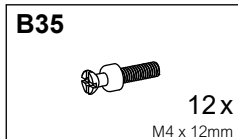


4 x

ø8 x 40mm

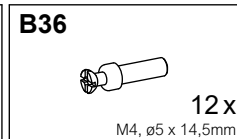


5



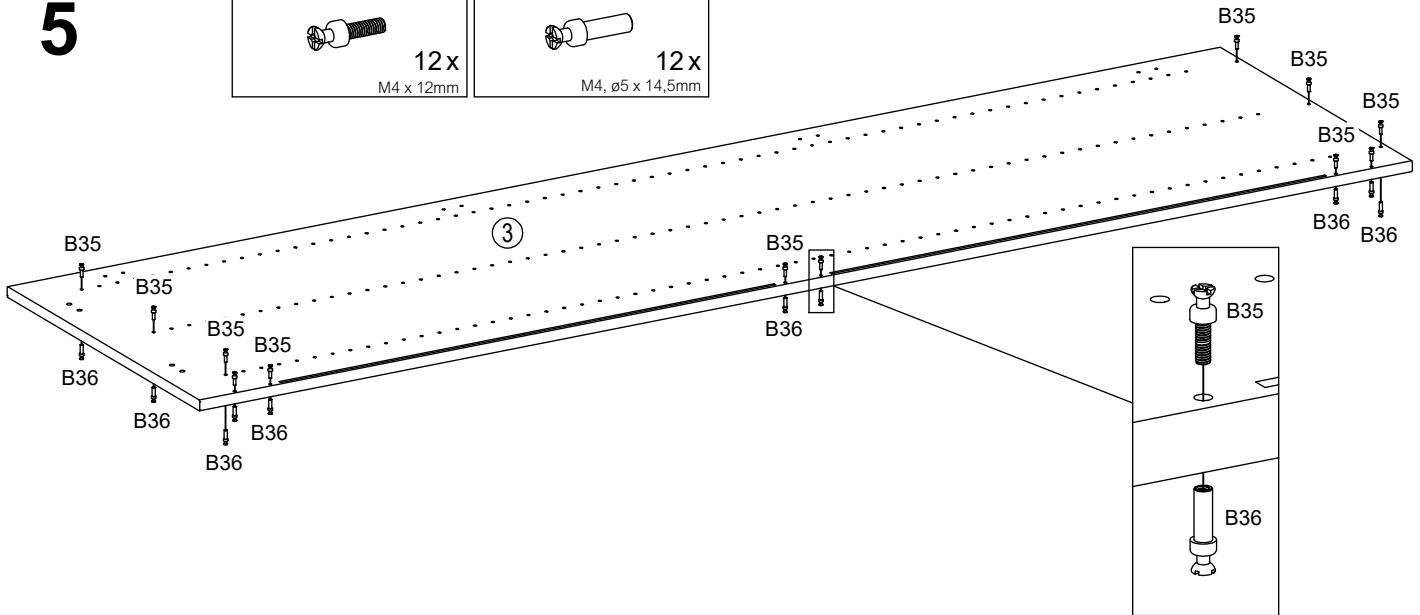
12 x

M4 x 12mm

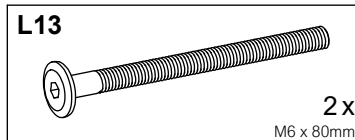
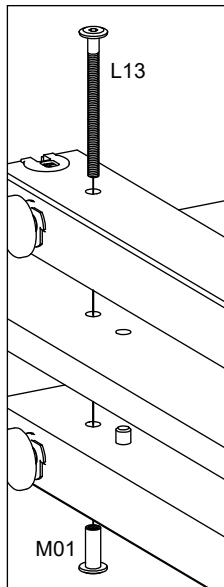


12 x

M4, ø5 x 14,5mm

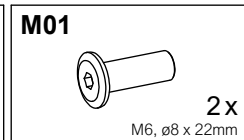


6



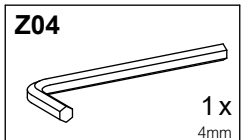
2 x

M6 x 80mm



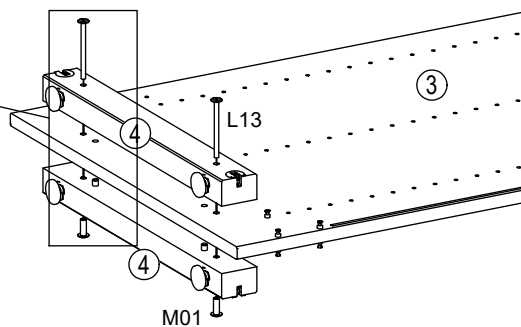
2 x

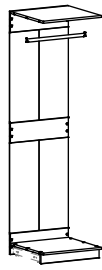
M6, ø8 x 22mm



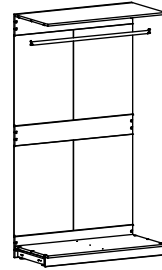
1 x

4mm



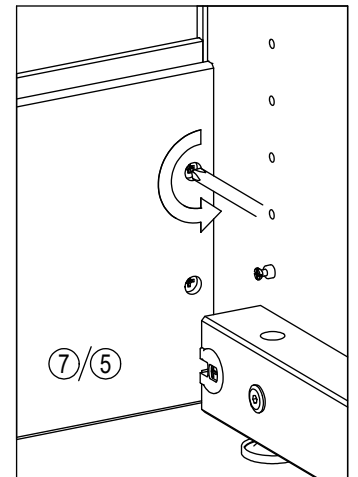
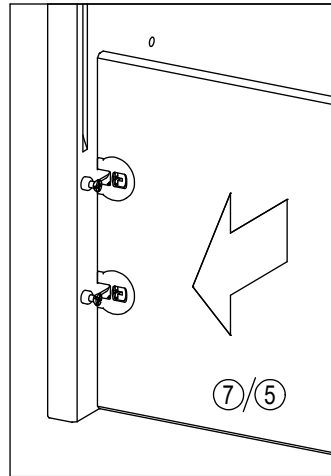
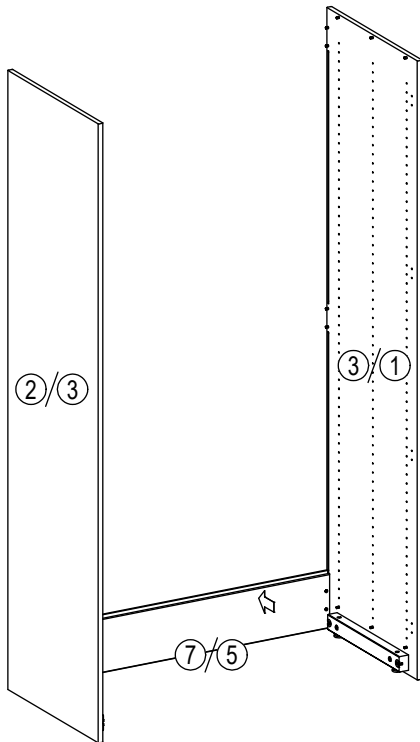


335 01 1:1

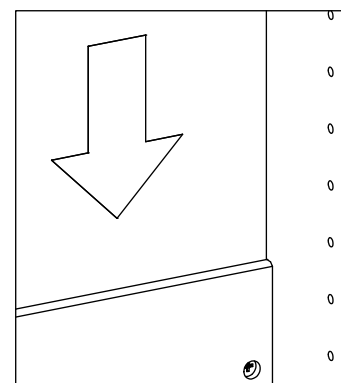
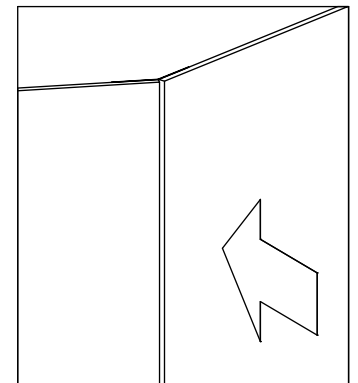
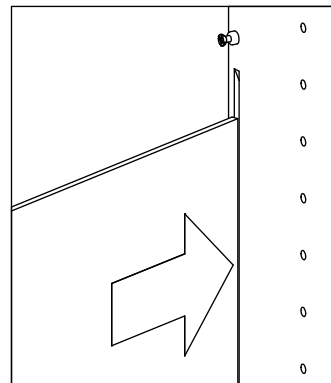
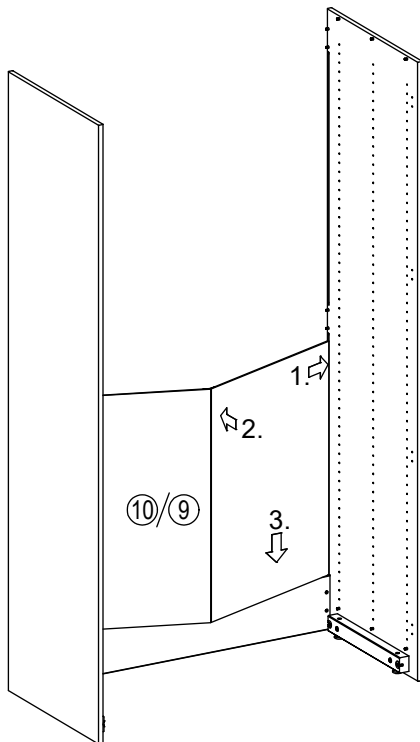


335 02 1:2 + 2:2

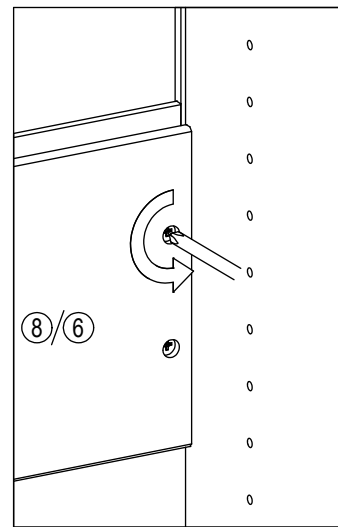
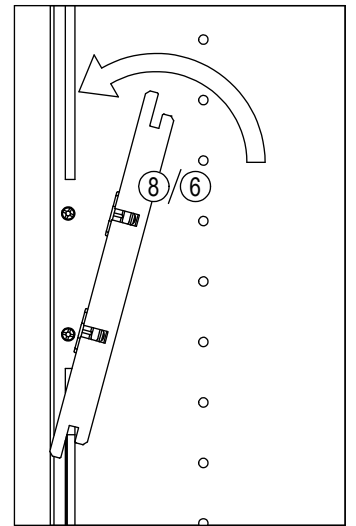
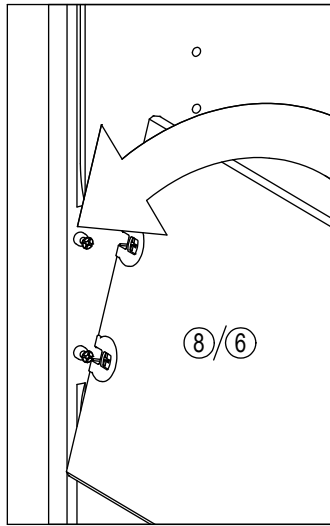
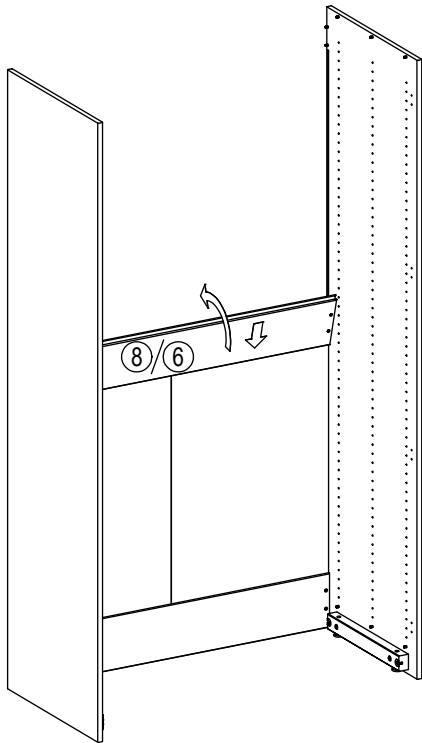
# 7



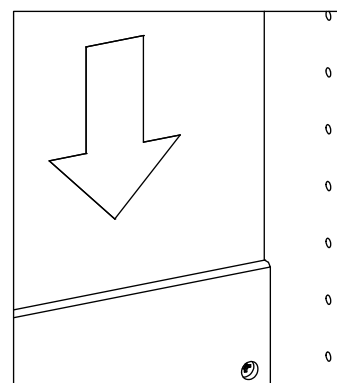
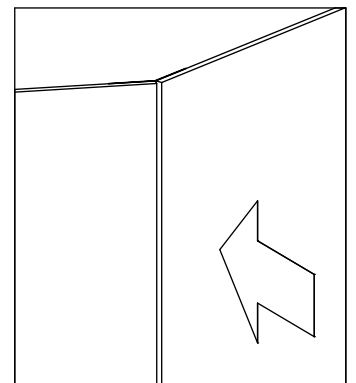
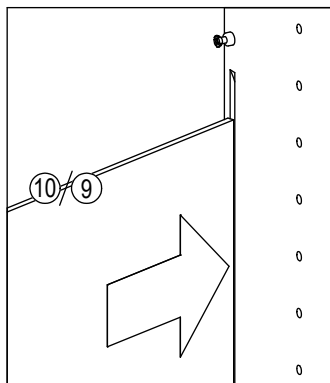
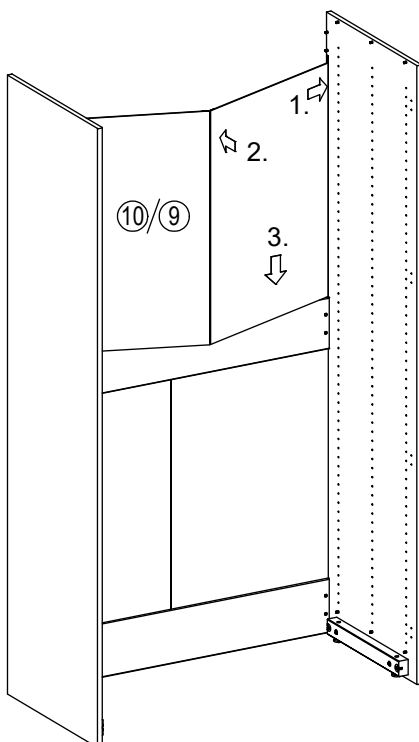
# 8



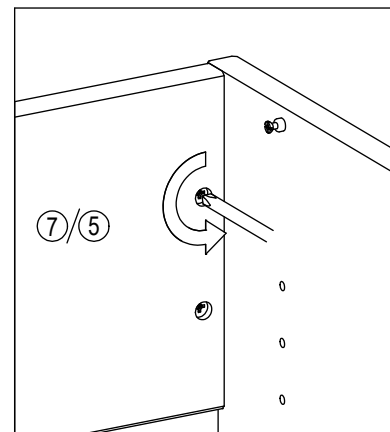
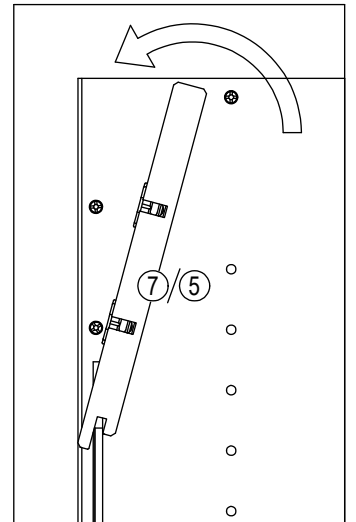
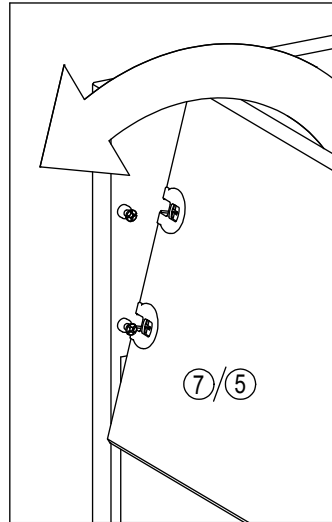
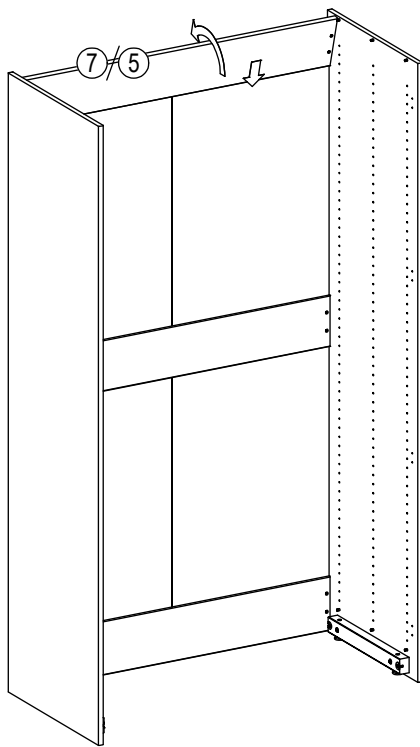
# 9



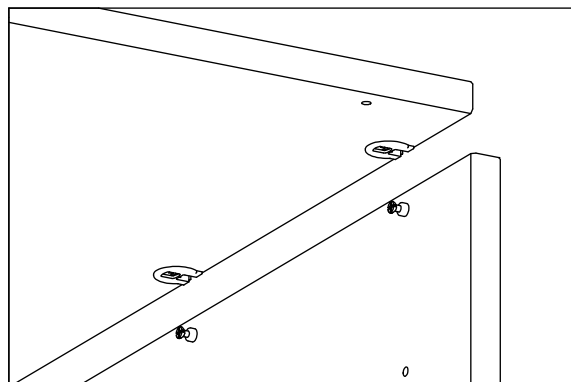
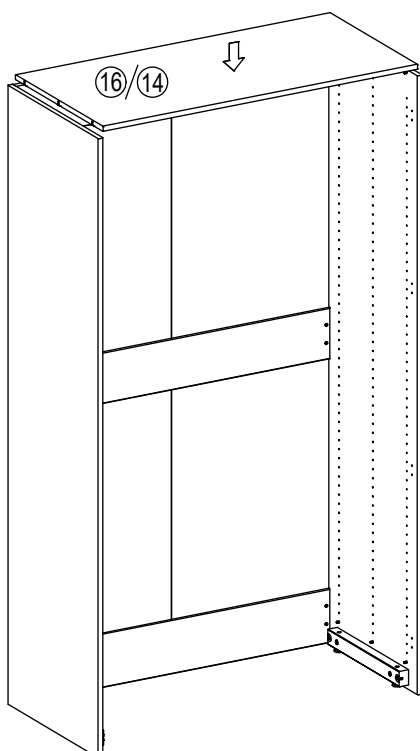
# 10



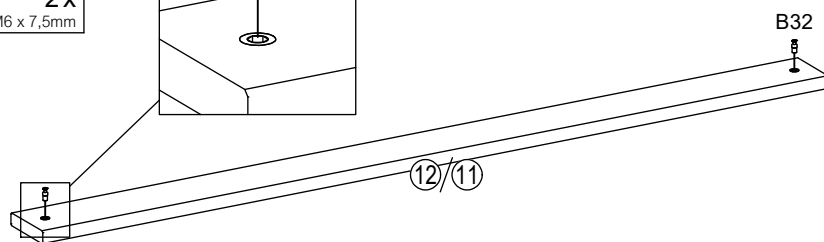
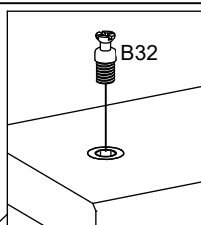
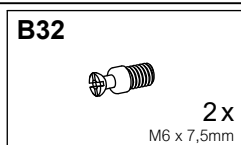
# 11



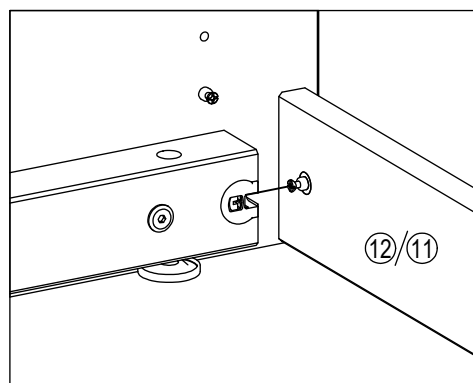
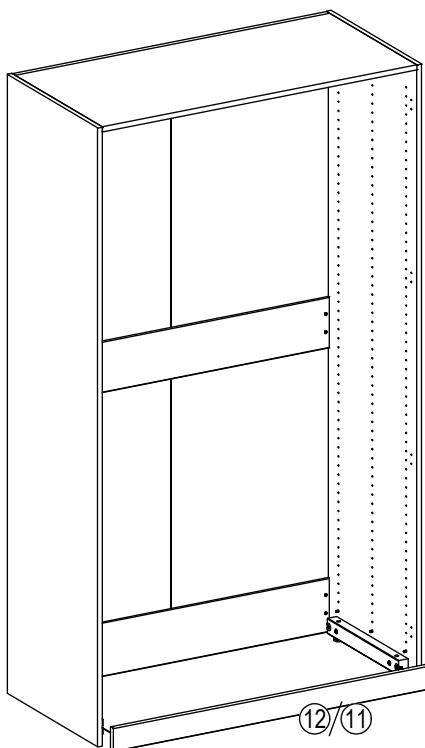
# 12



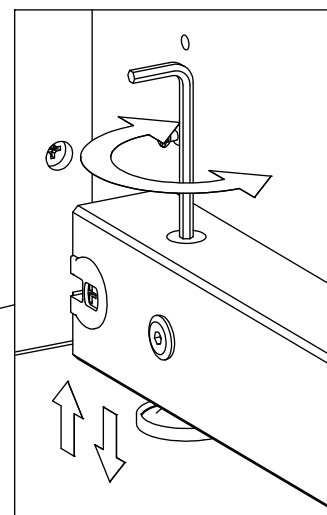
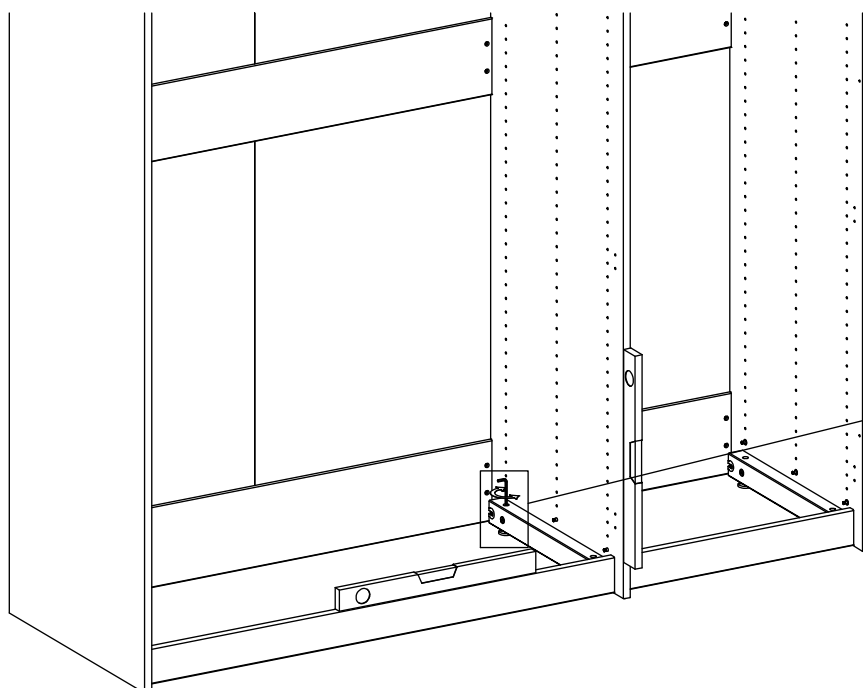
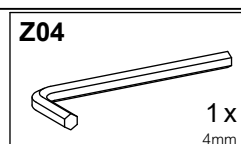
# 13



# 14






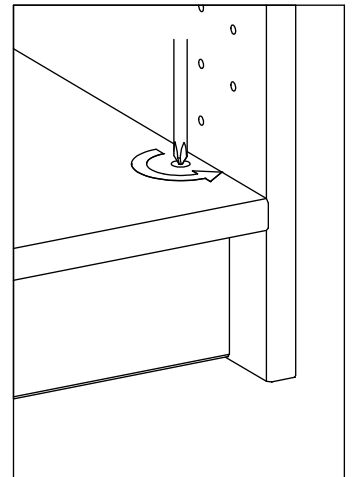
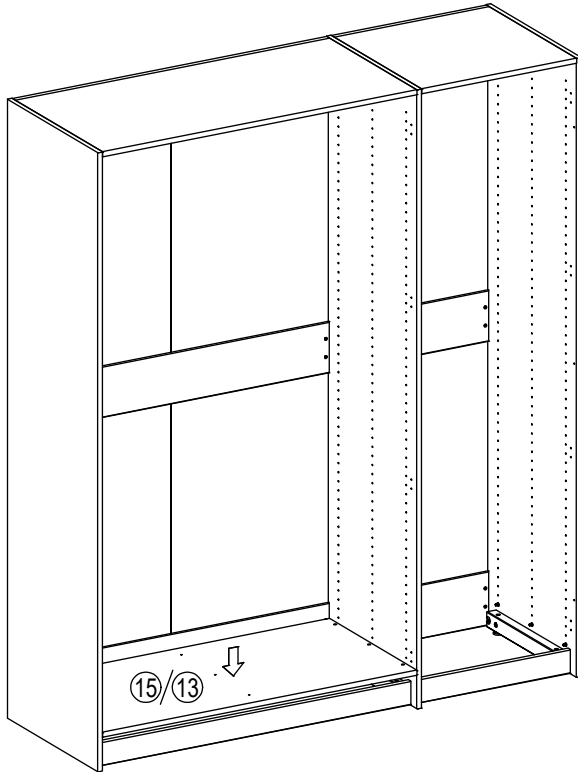
# 15



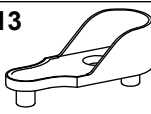



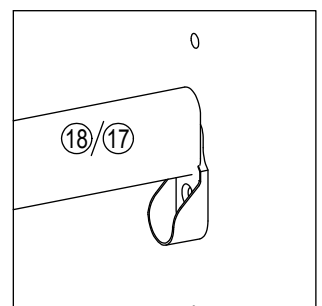
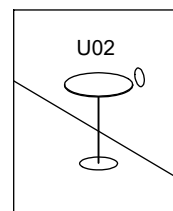
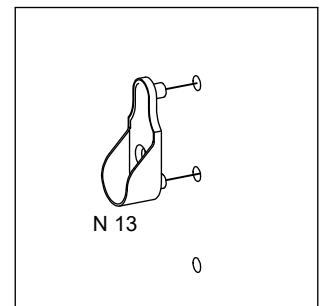
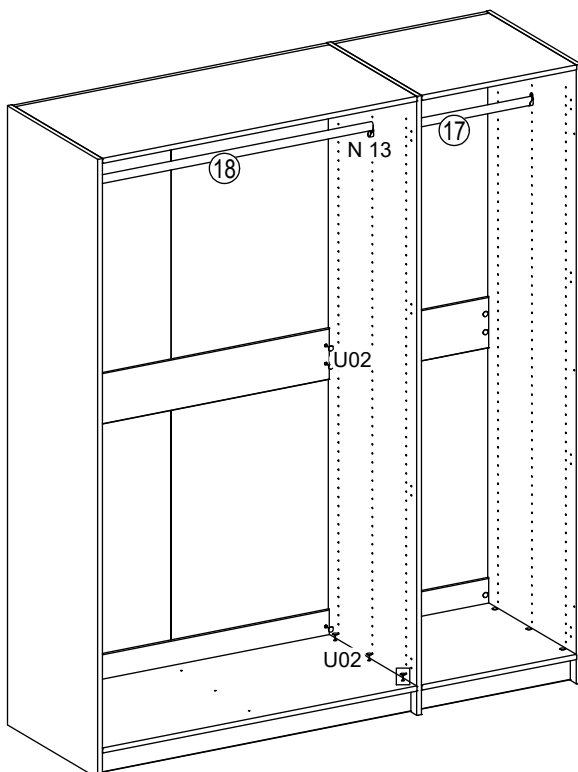
# 16

  335 30  
335 31  
335 32  
335 33 

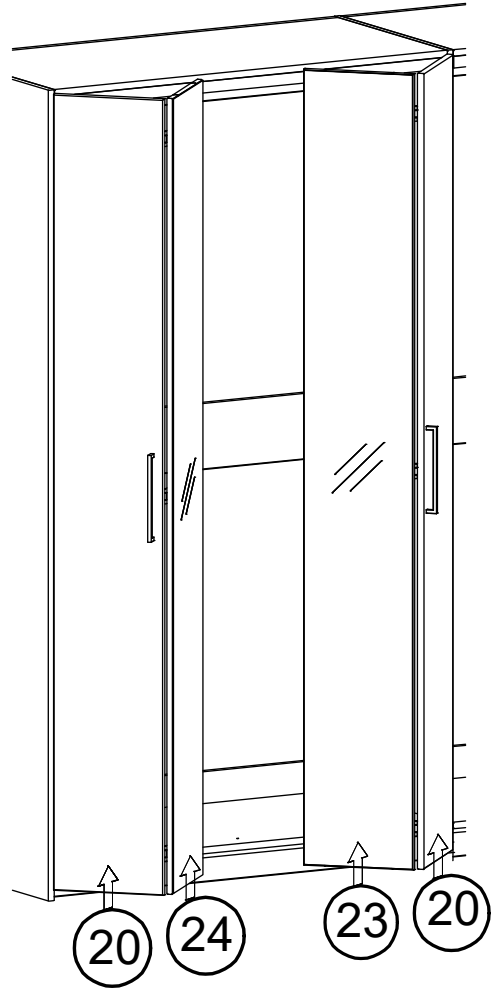
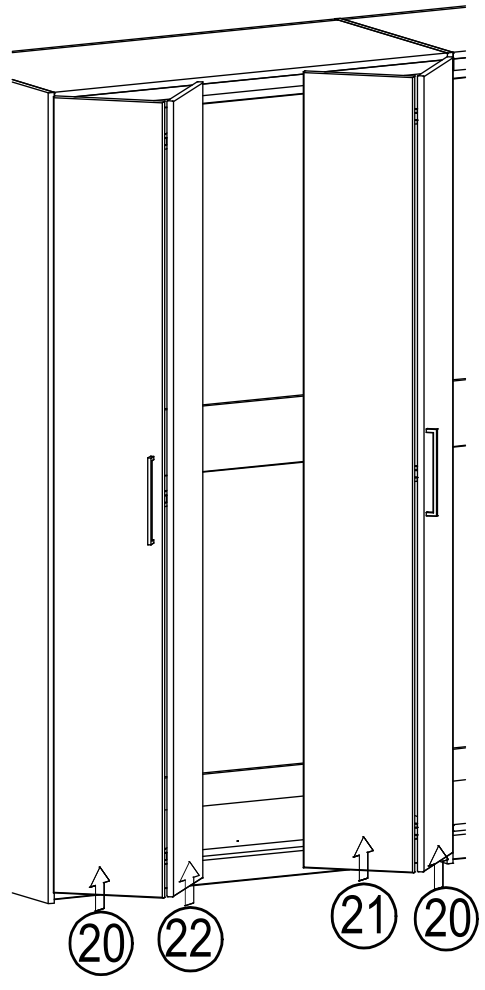


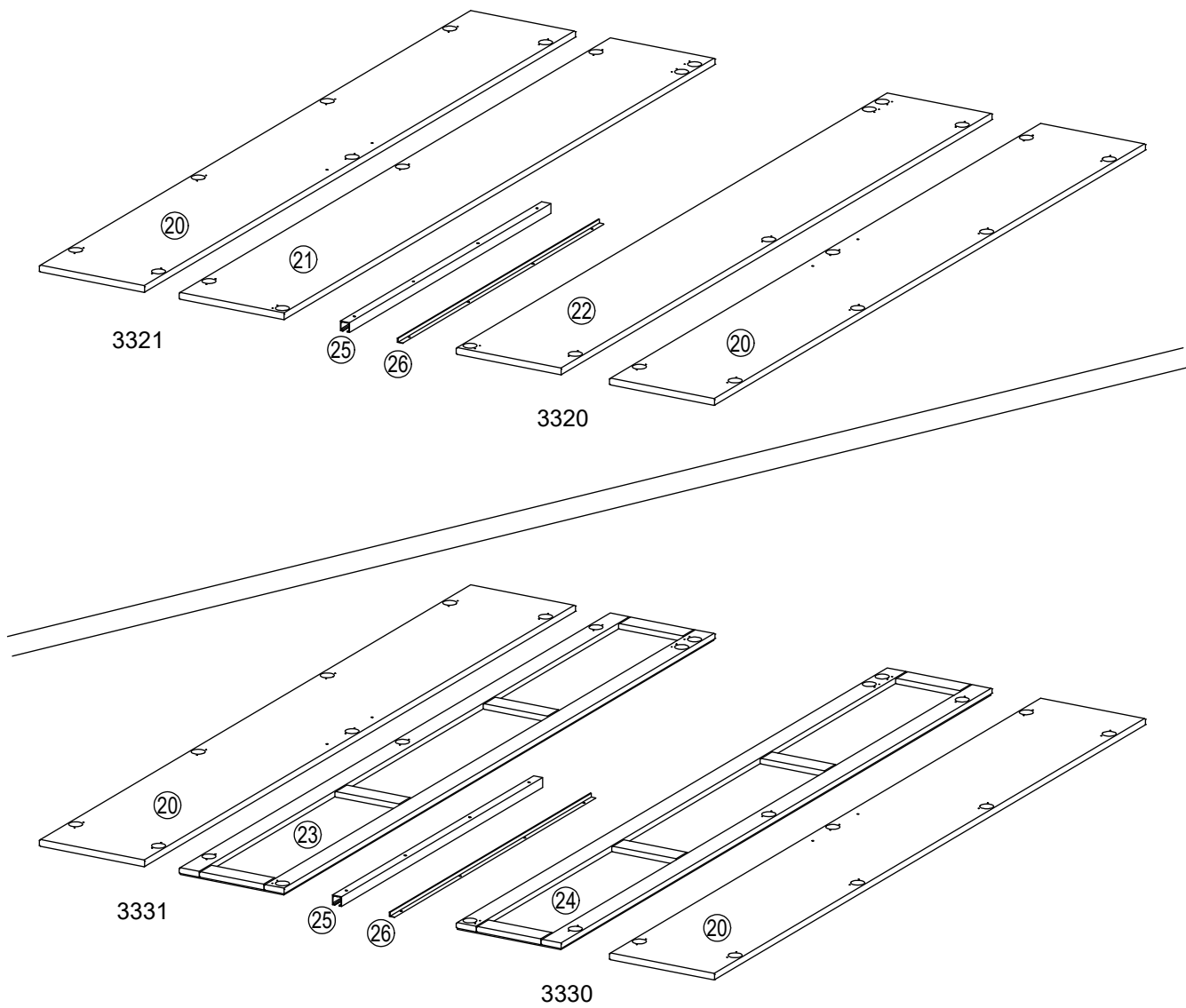
# 17

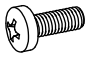




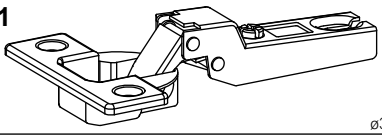
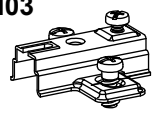
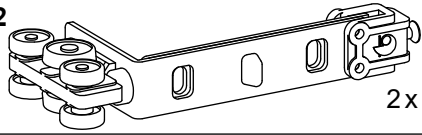
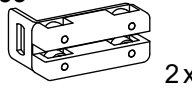


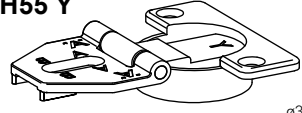
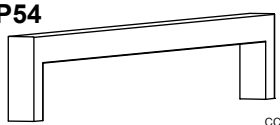


**N13**  2x **U01**  18x  
ø18mm



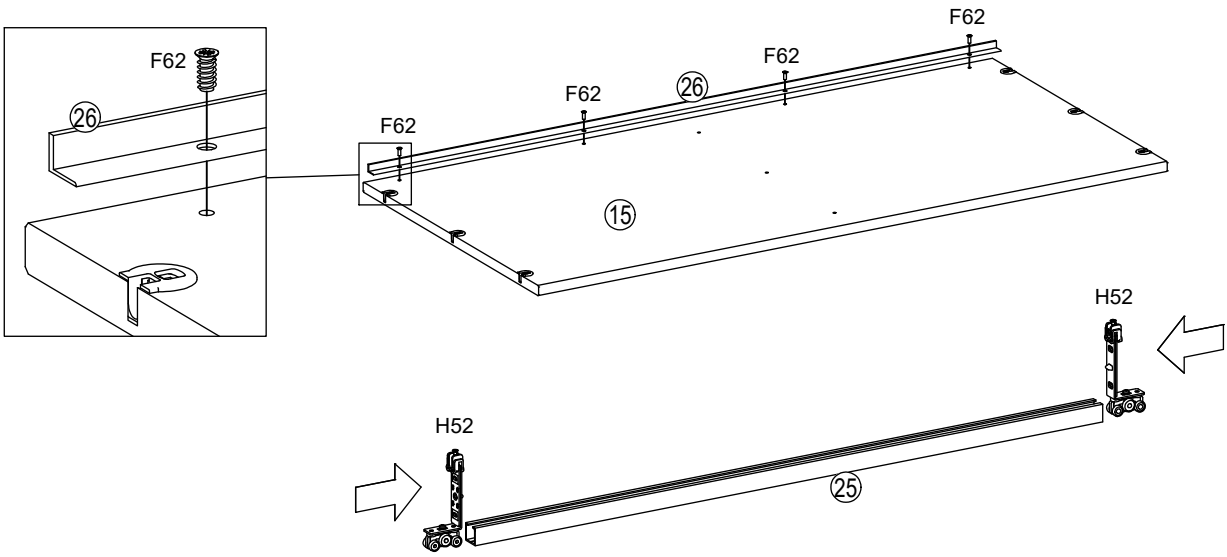
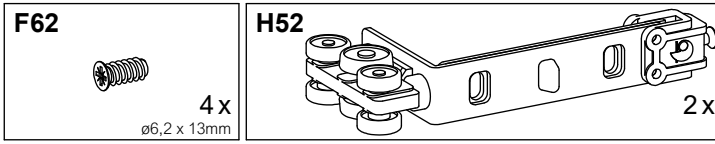
# Rødvig Folding Doors



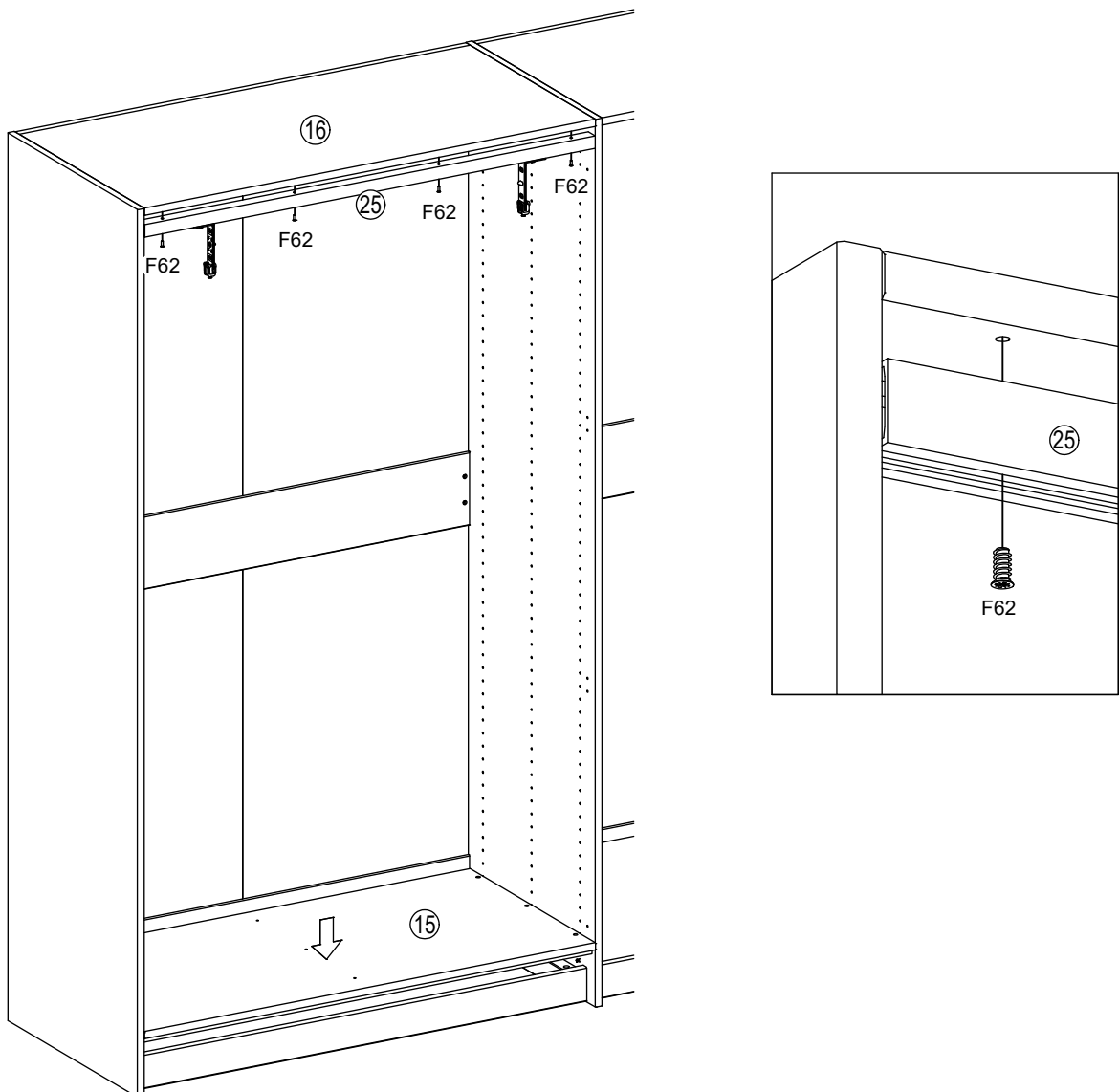
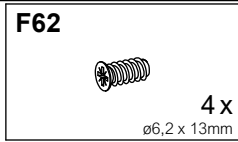


<b>C01</b>  6 x M6 x 15mm	<b>C21</b>  6 x M4 x 12mm	<b>D11</b>  52 x ø3,5 x 15mm	<b>F35</b>  4 x M4 x 25mm	<b>F62</b>  8 x ø6,2 x 13mm	
<b>H01</b>  8 x ø35mm	<b>H03</b>  8 x	<b>H52</b>  2 x			
<b>H53</b>  2 x	<b>H54</b>  6 x ø35mm	<b>H55 X</b>  6 x ø35mm	<b>H55 Y</b>  6 x ø35mm		
<b>P54</b>  2 x cc224mm	<b>U60</b>  4 x ø10 x 3mm	<b>W51</b>  4 x ø17,5/ø6,8 x 1,5mm			

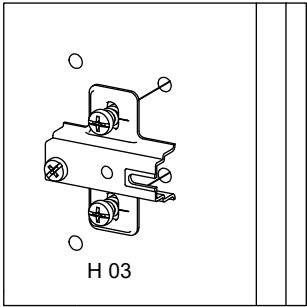
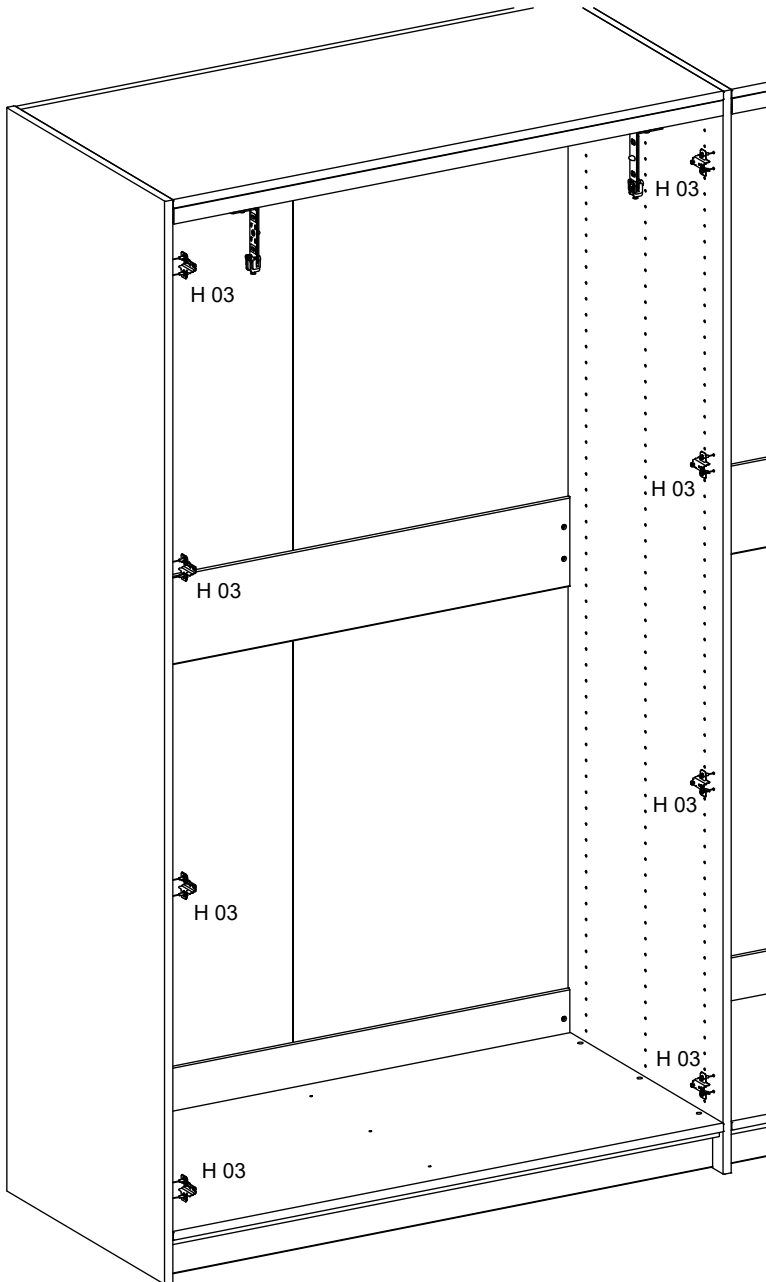
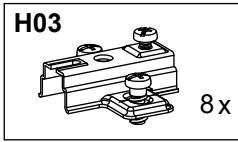
1



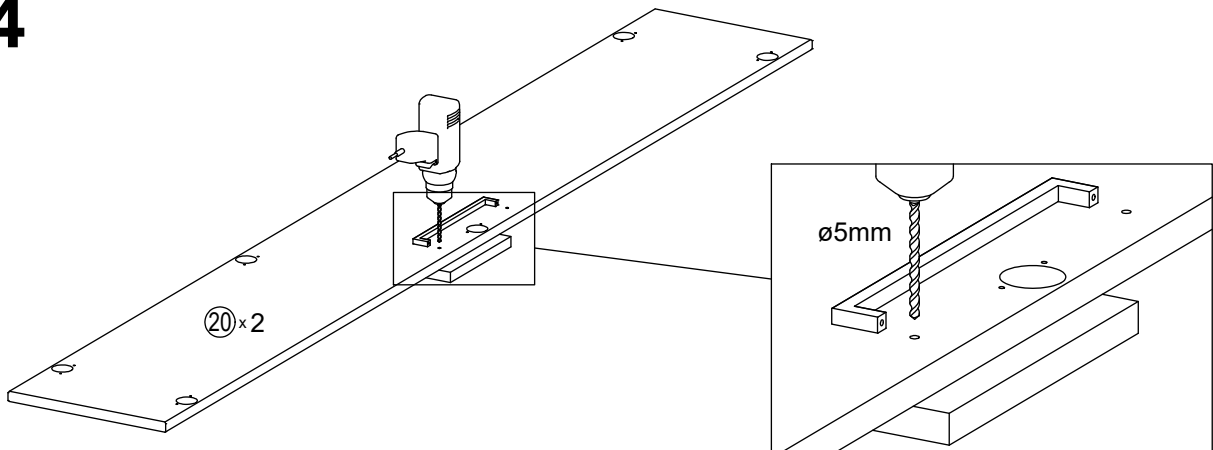
2




3

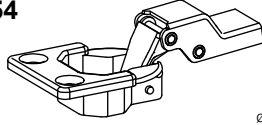


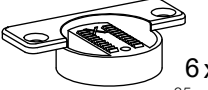
4

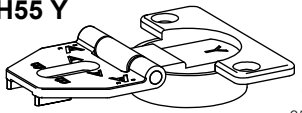


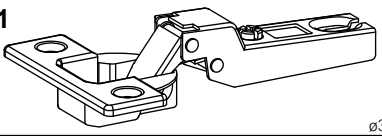
# 5

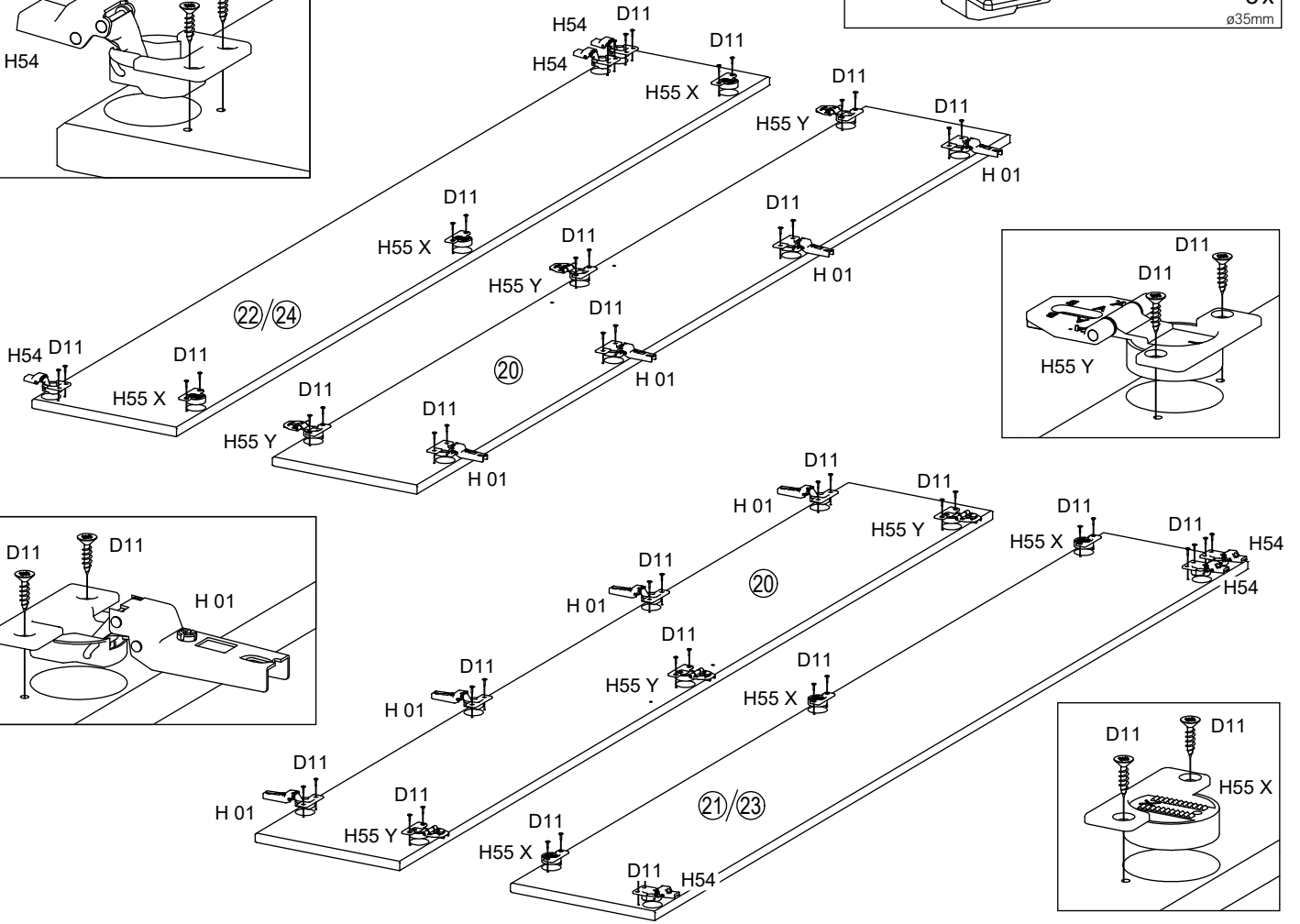
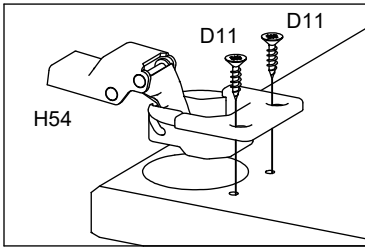
**D11**  
  
52 x  
ø3,5 x 15mm

**H54**  
  
6 x  
ø35mm


**H55 X**  
  
6 x  
ø35mm


**H55 Y**  
  
6 x  
ø35mm

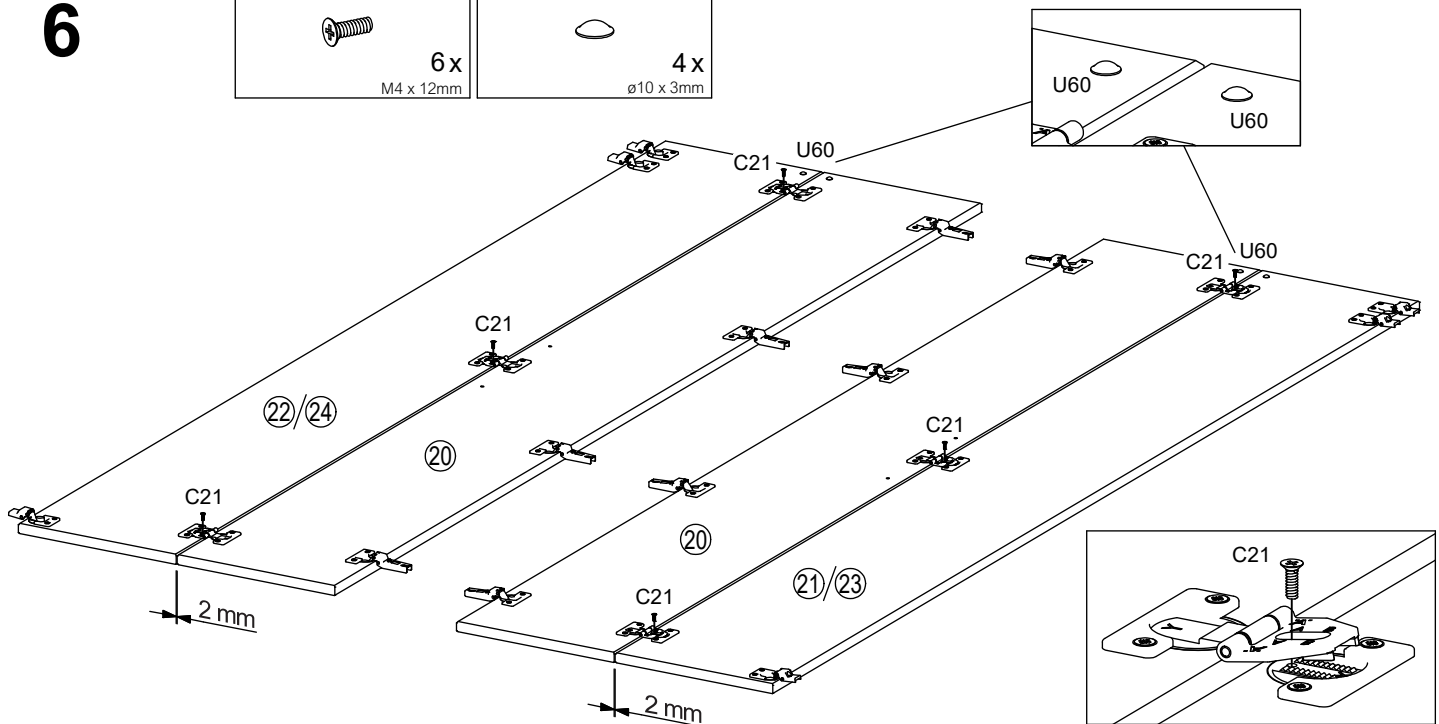
**H01**  
  
8 x  
ø35mm



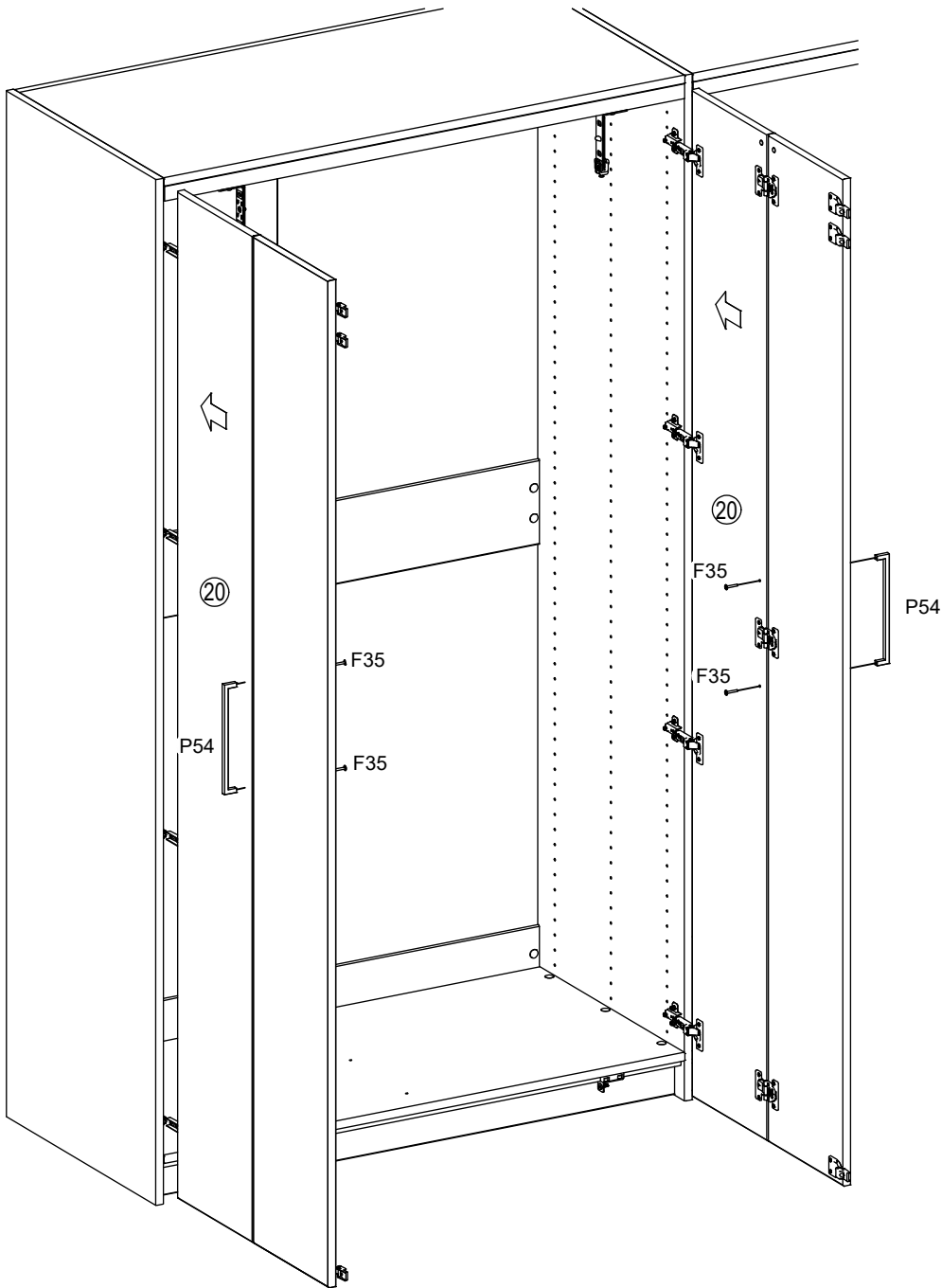
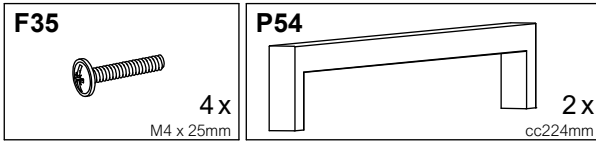
# 6

**C21**  
  
6 x  
M4 x 12mm

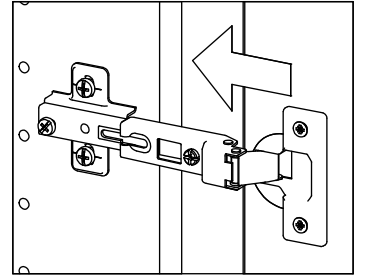
**U60**  
  
4 x  
ø10 x 3mm



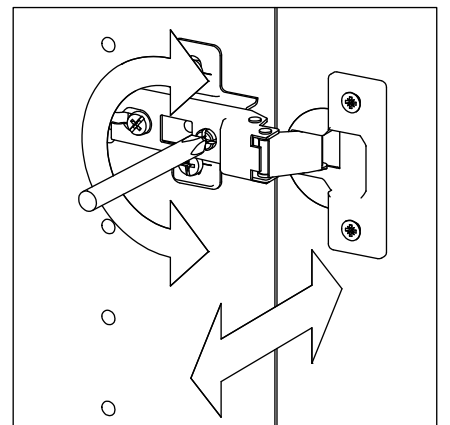
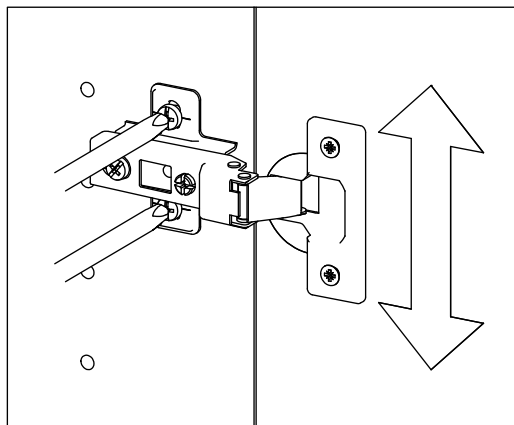
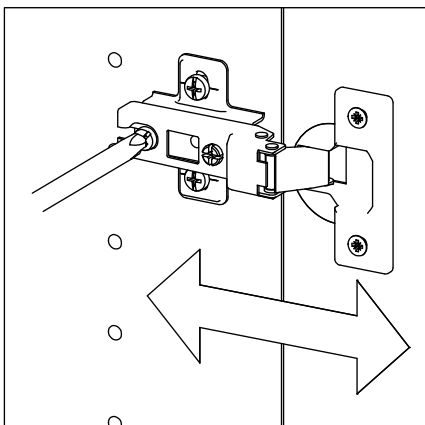
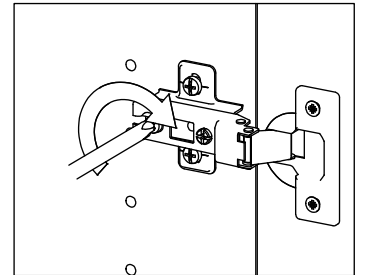
# 7



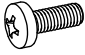
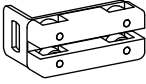

7.1

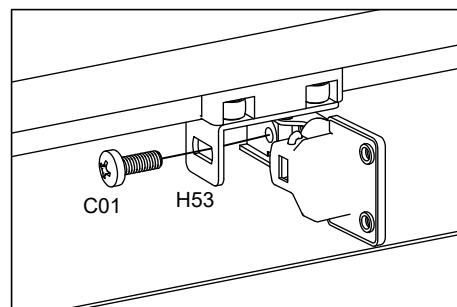
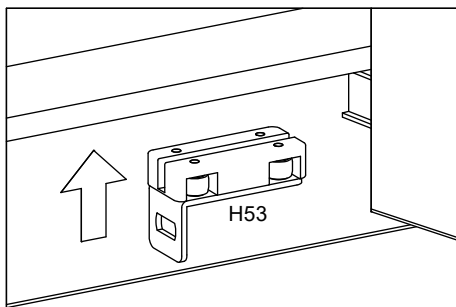
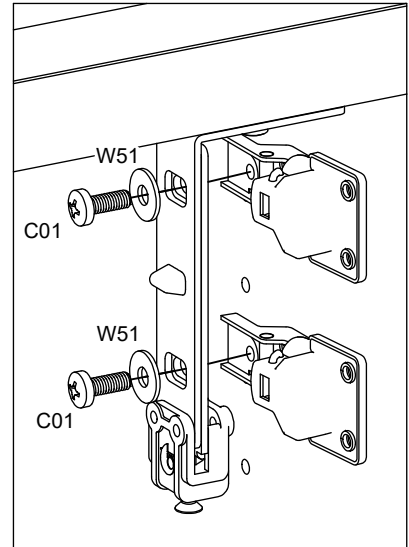
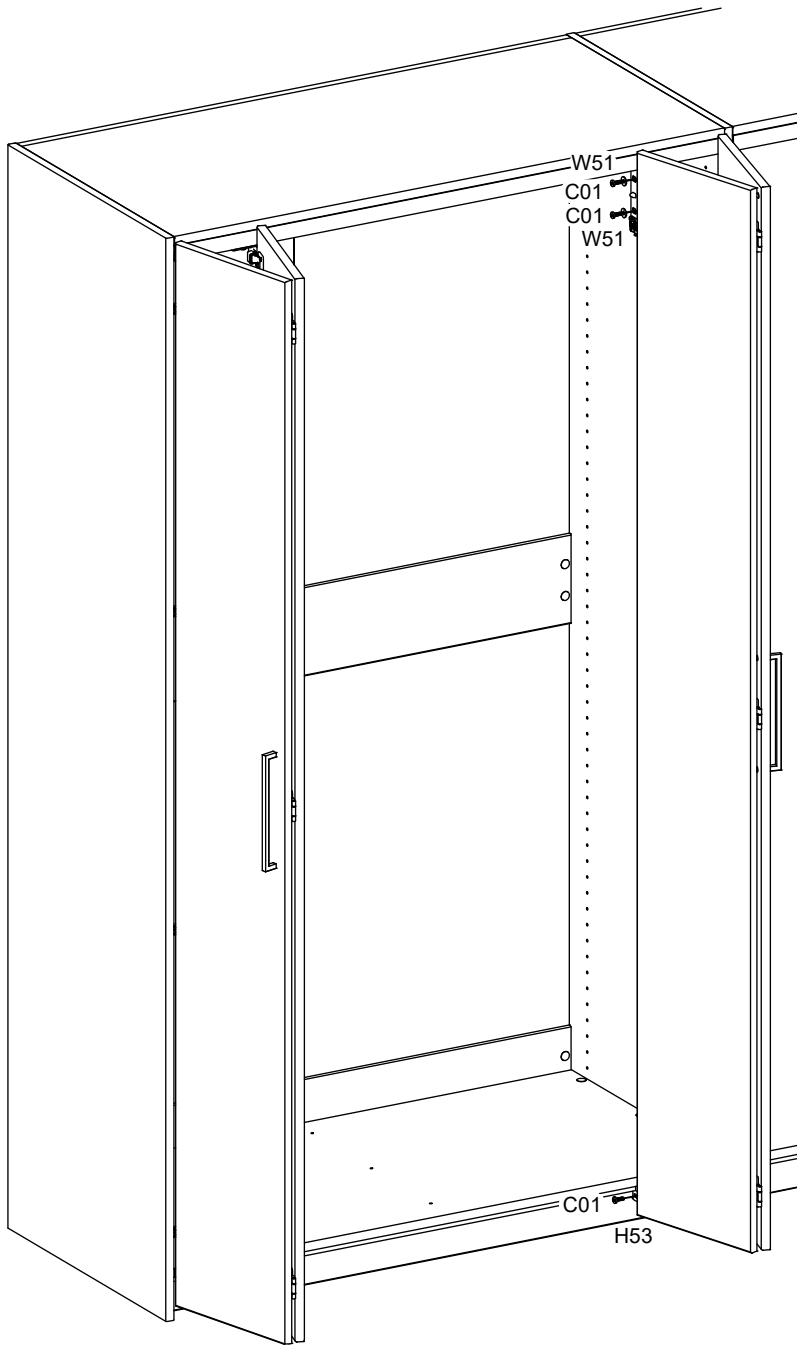


7.2



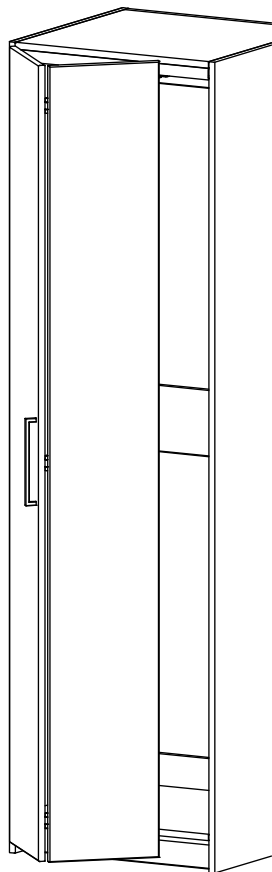
8

<b>C01</b>  6 x M6 x 15mm	<b>H53</b>  2 x	<b>W51</b>  4 x ø17,5/ø6,8 x 1,5mm
---	--	--

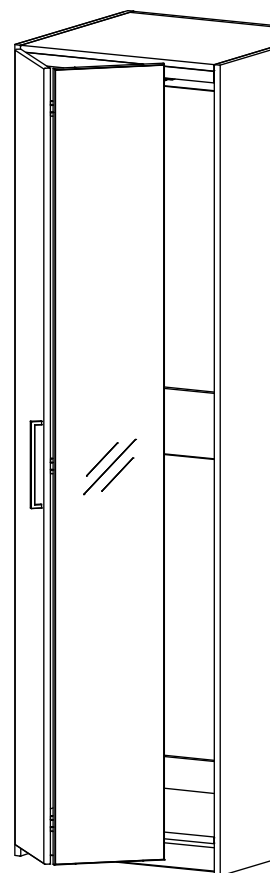
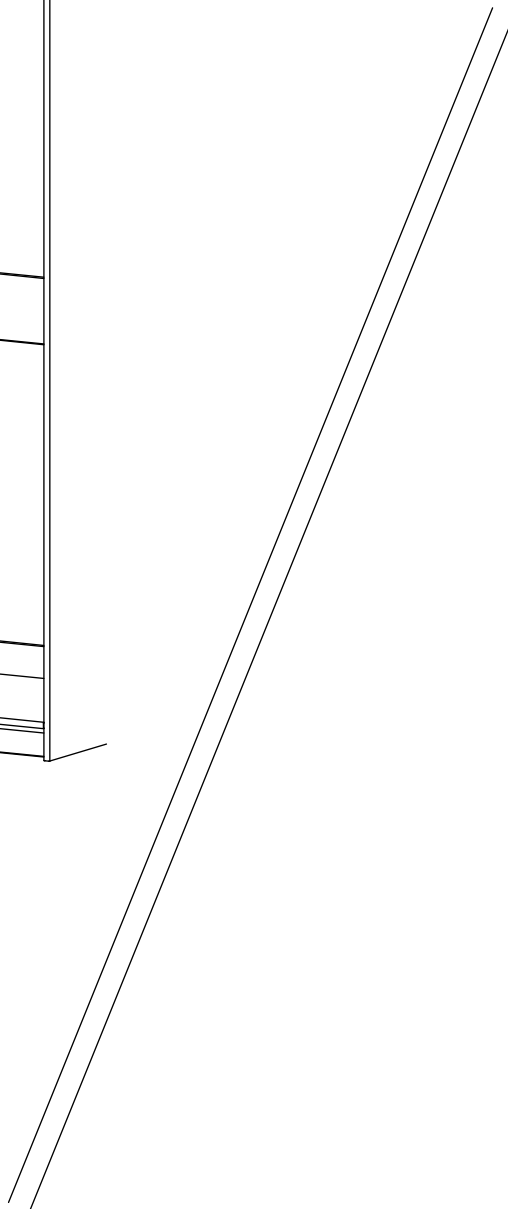




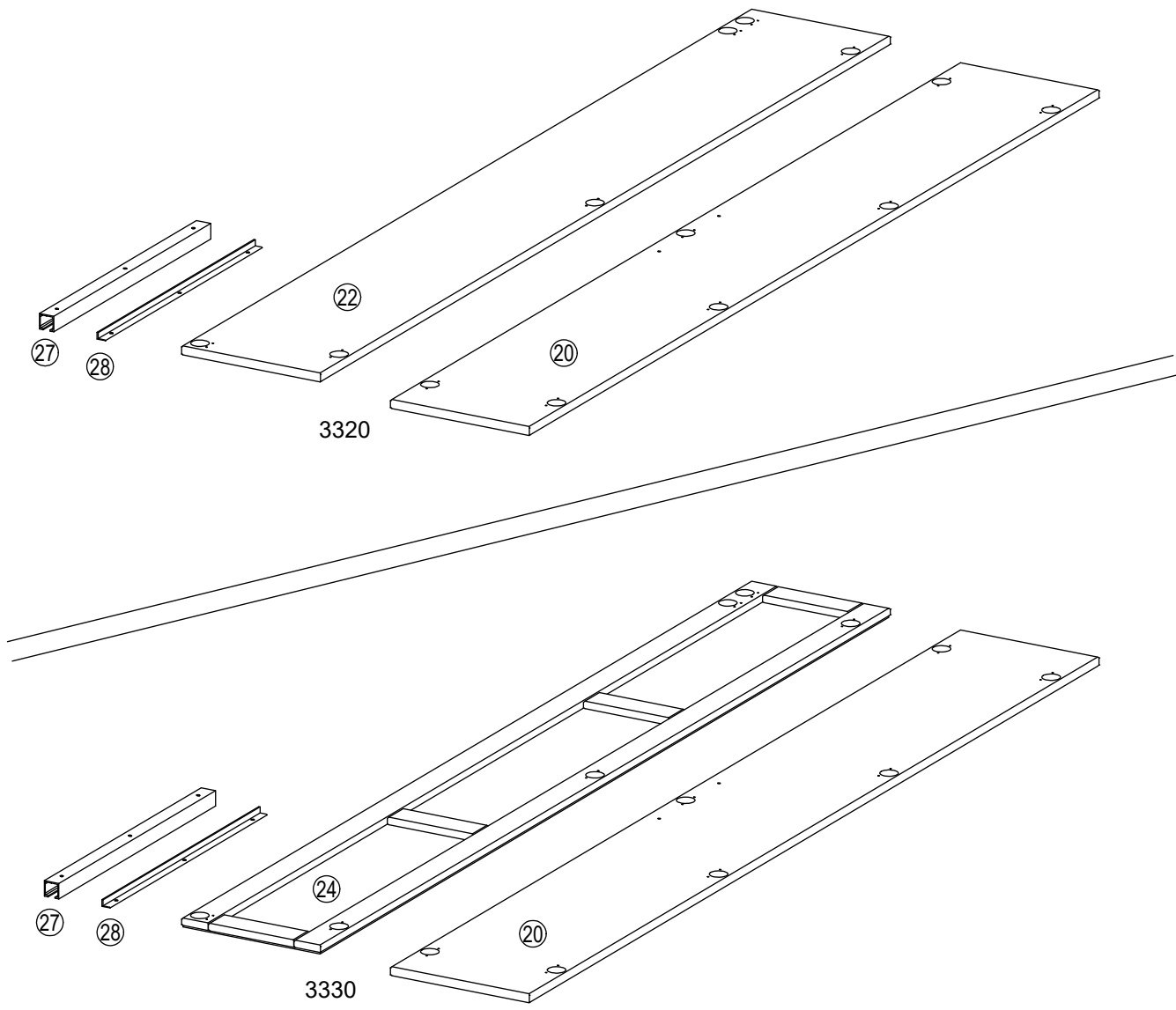
# Rødvig Folding Door

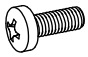




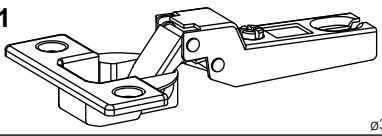
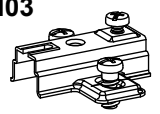
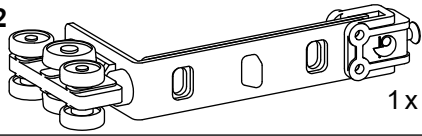
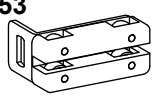

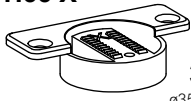
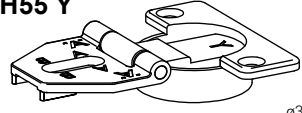
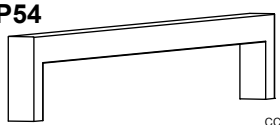




3320

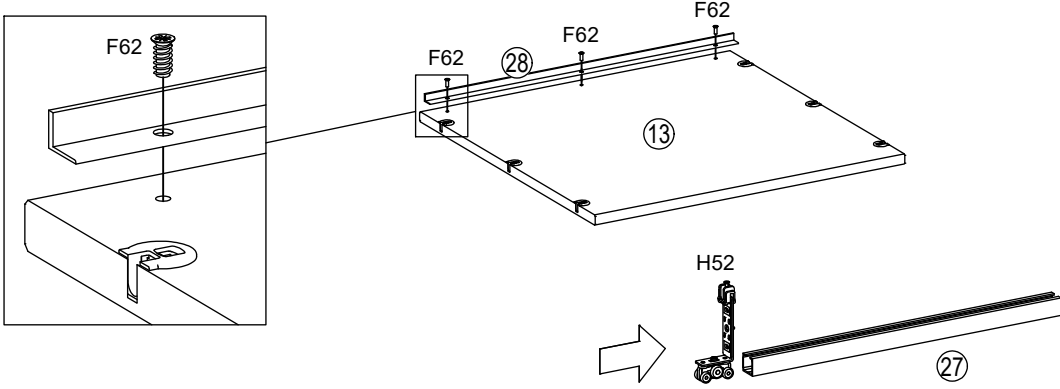
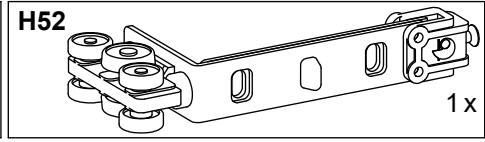
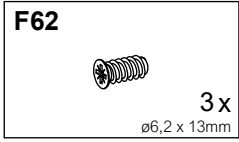


3330

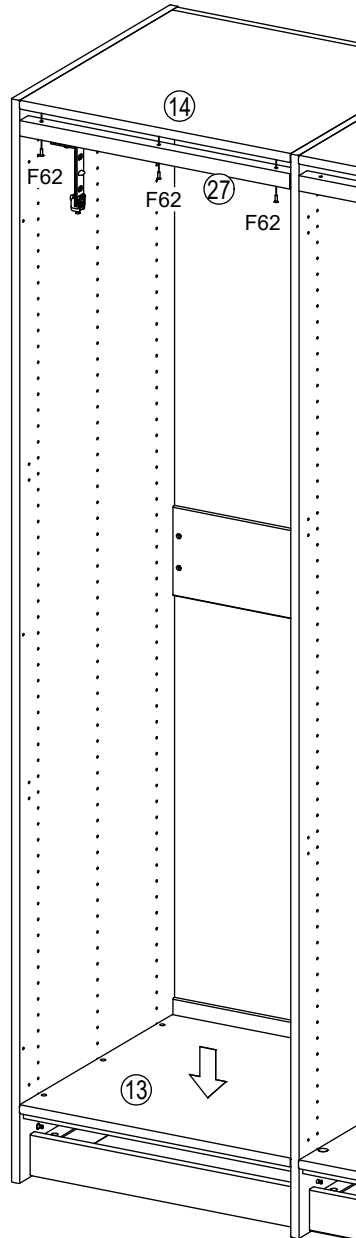
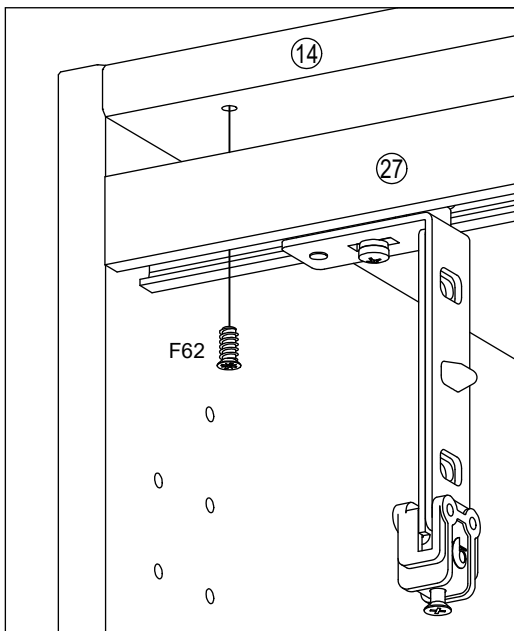
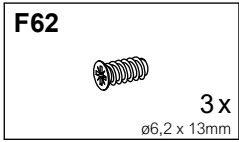


<b>C01</b>  3x M6 x 15mm	<b>C21</b>  3x M4 x 12mm	<b>D11</b>  26x ø3,5 x 15mm	<b>F35</b>  2x M4 x 25mm	<b>F62</b>  6x ø6,2 x 13mm	
<b>H01</b>  4x ø35mm	<b>H03</b>  4x	<b>H52</b>  1x			
<b>H53</b>  1x	<b>H54</b>  3x ø35mm	<b>H55 X</b>  3x ø35mm	<b>H55 Y</b>  3x ø35mm		
<b>P54</b>  1x cc224mm	<b>U60</b>  2x ø10 x 3mm	<b>W51</b>  2x ø17,5/ø6,8 x 1,5mm			

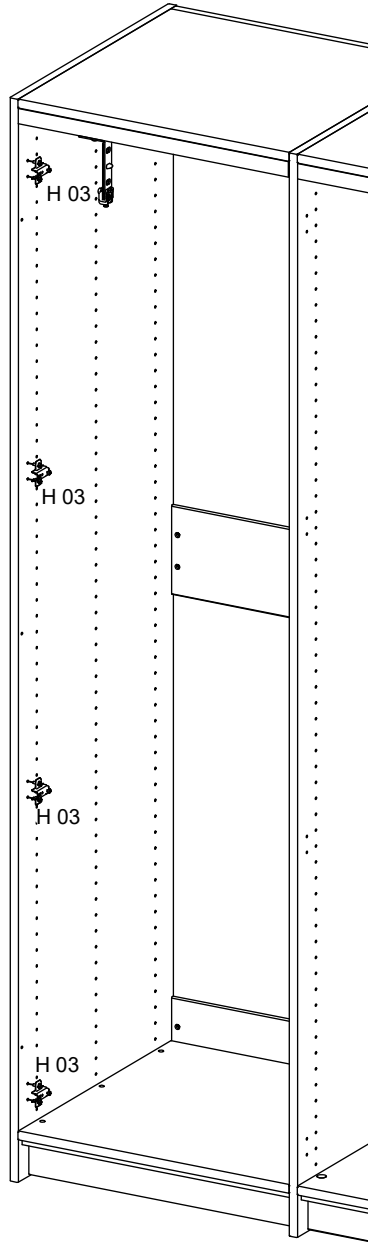
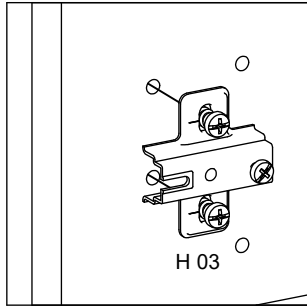
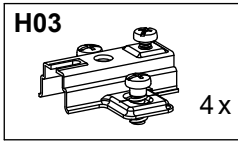
# 1



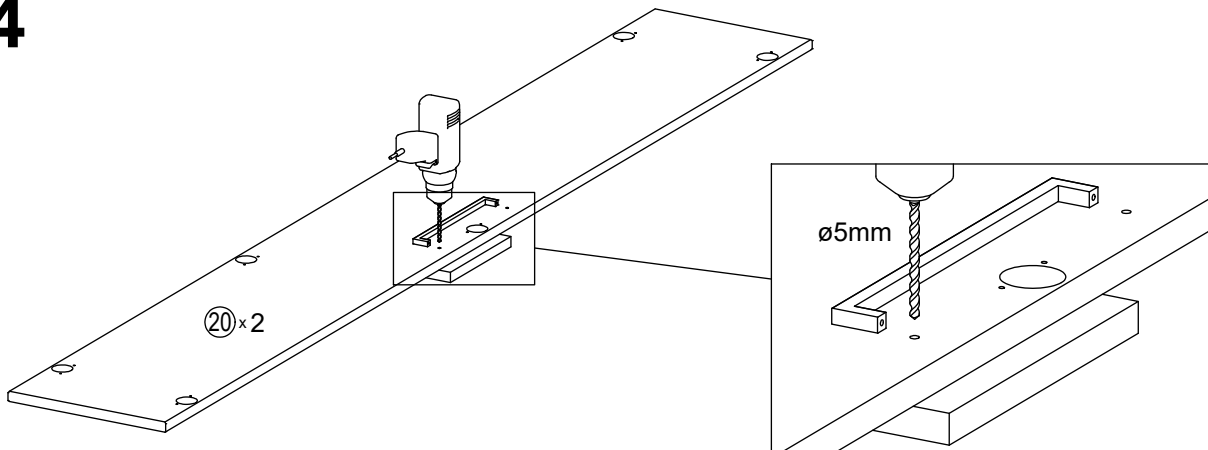
# 2





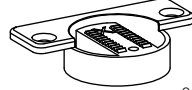
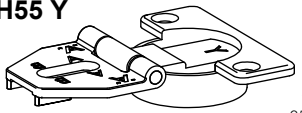
3

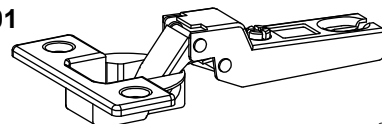


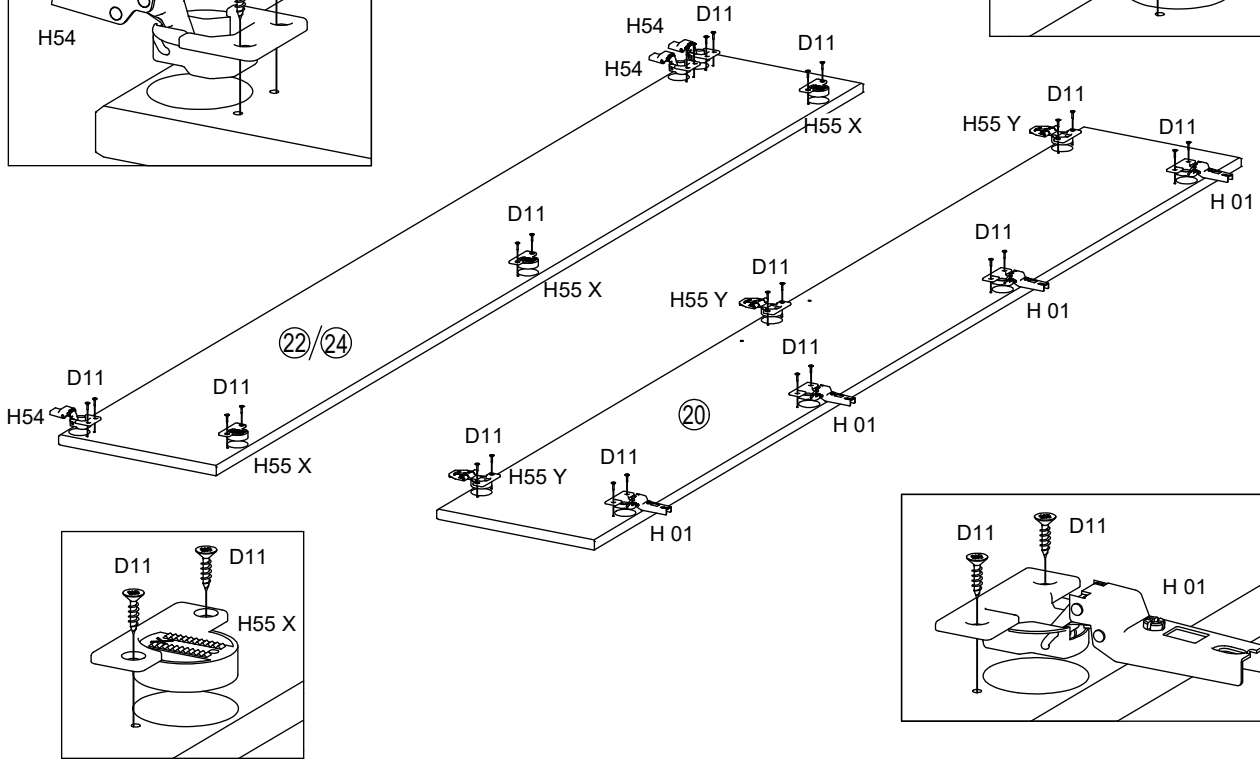
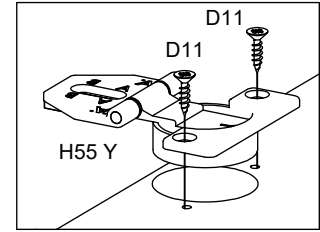
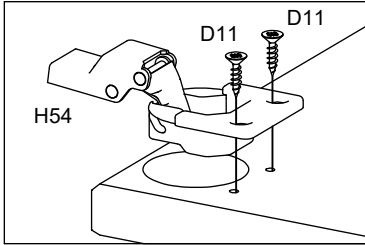
4





# 5

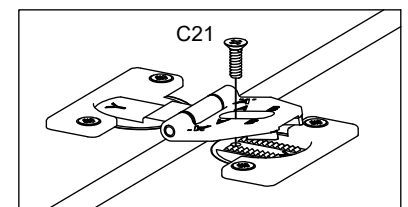
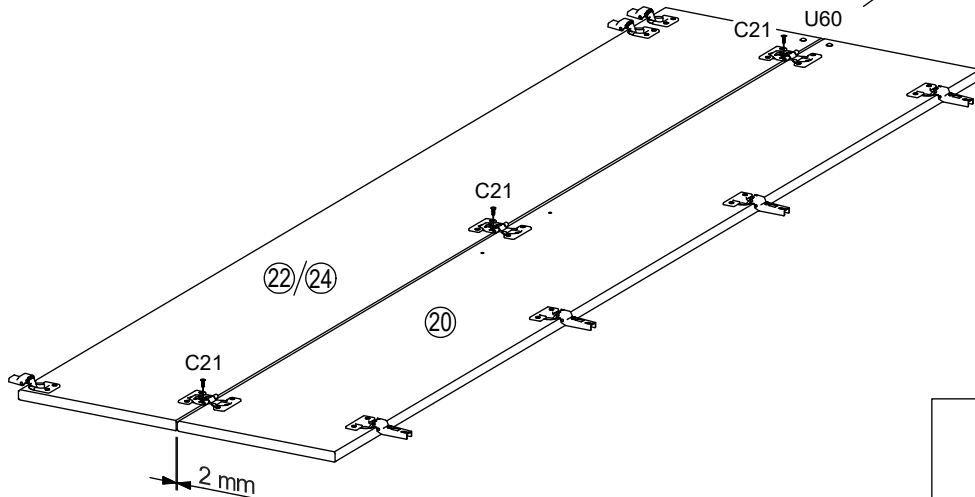
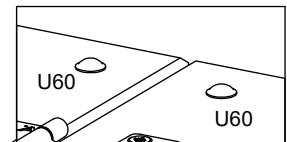
<b>D11</b>  26 x ø3,5 x 15mm	<b>H54</b>  3 x ø35mm	<b>H55 X</b>  3 x ø35mm	<b>H55 Y</b>  3 x ø35mm
--	---	--	---

<b>H01</b>  4 x ø35mm
---

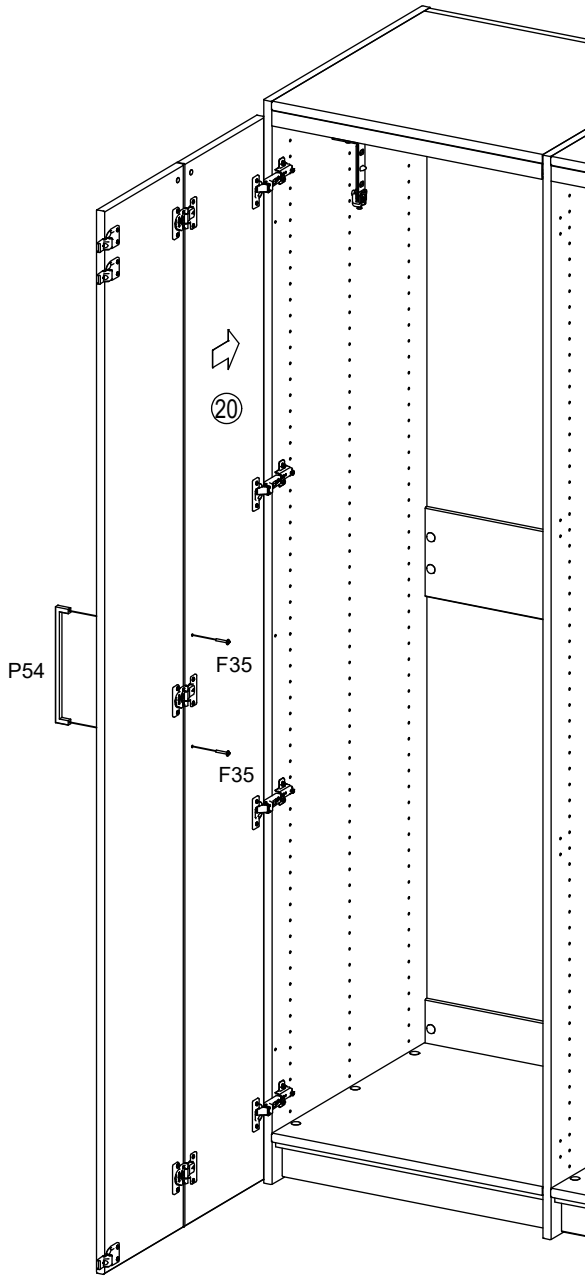
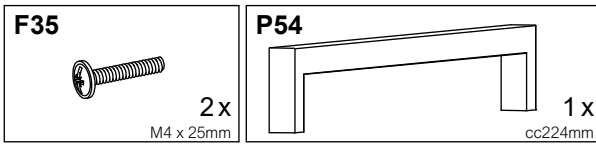


# 6

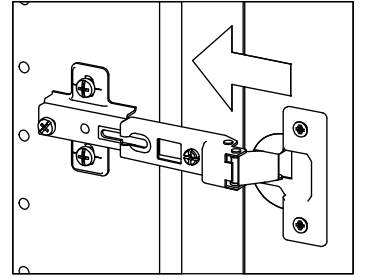
<b>C21</b>  3 x M4 x 12mm	<b>U60</b>  2 x ø10 x 3mm
---	---



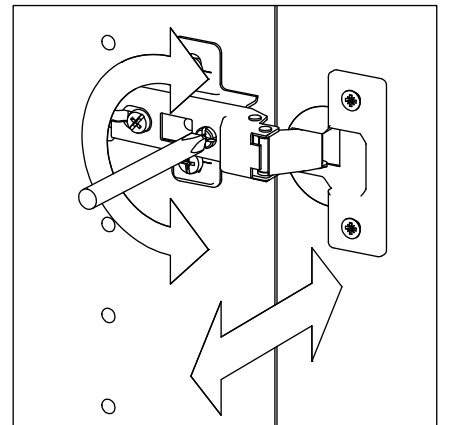
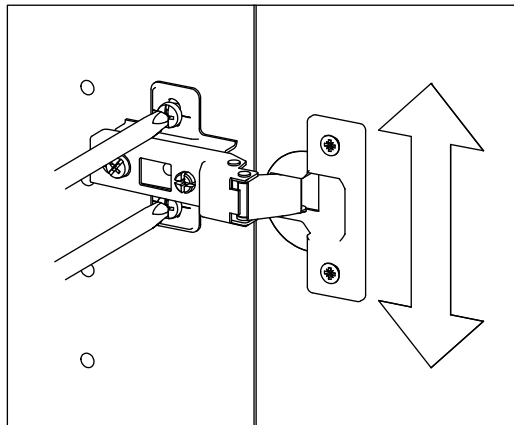
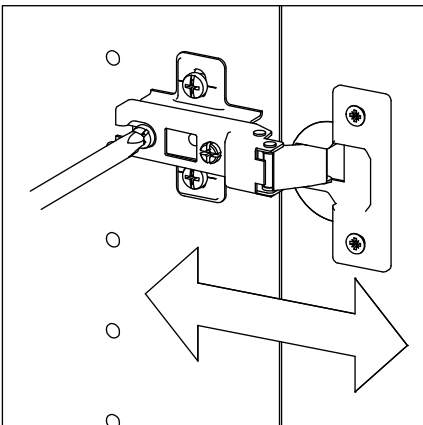
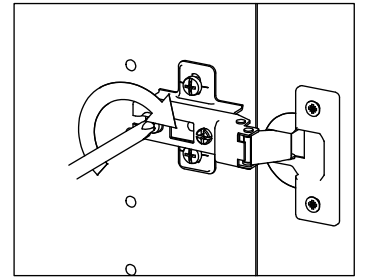
# 7



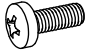
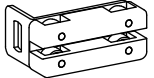

7.1



7.2



# 8

<b>C01</b>  3 x M6 x 15mm	<b>H53</b>  1 x	<b>W51</b>  2 x ø17,5/ø6,8 x 1,5mm
---	--	--

